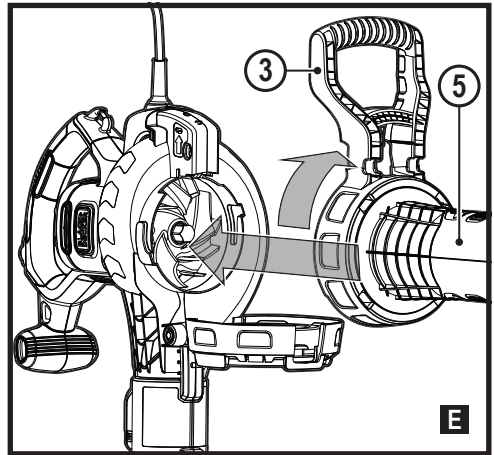
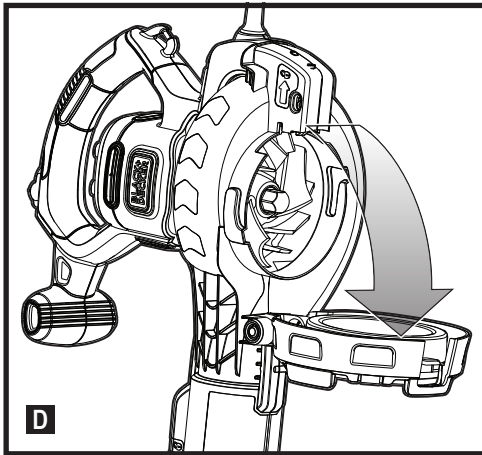
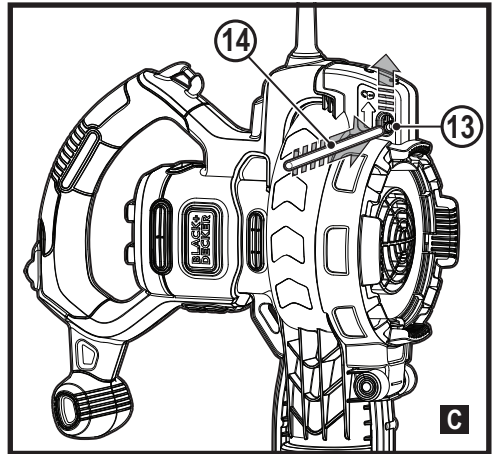
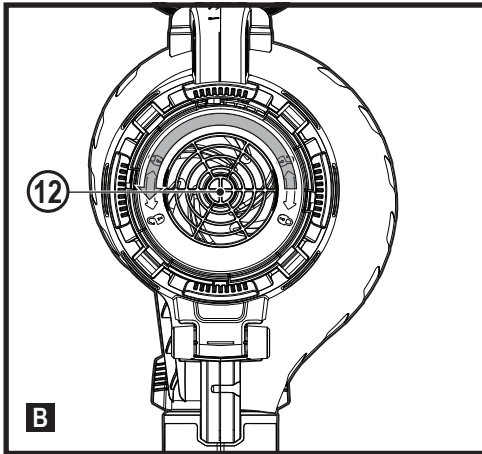
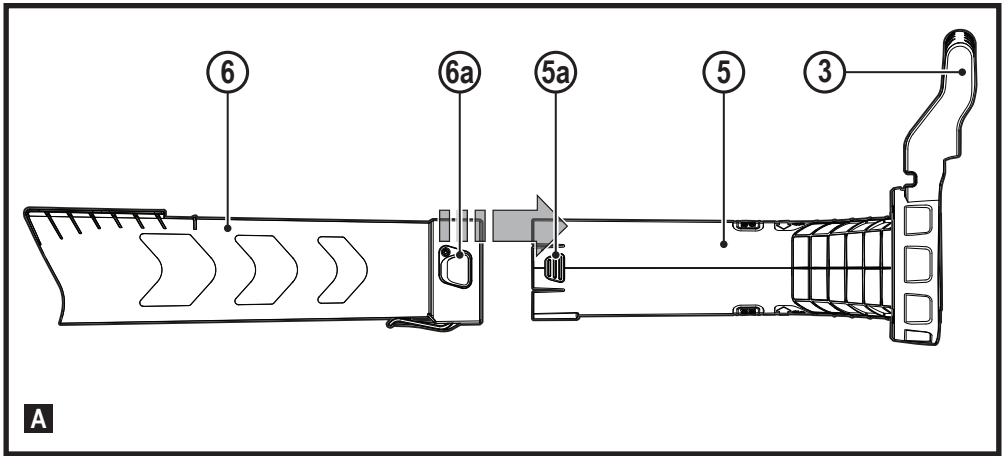
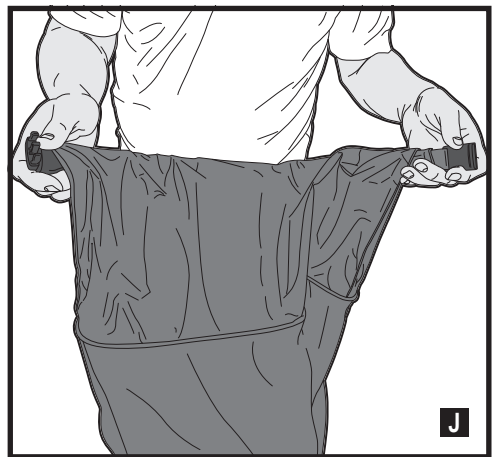
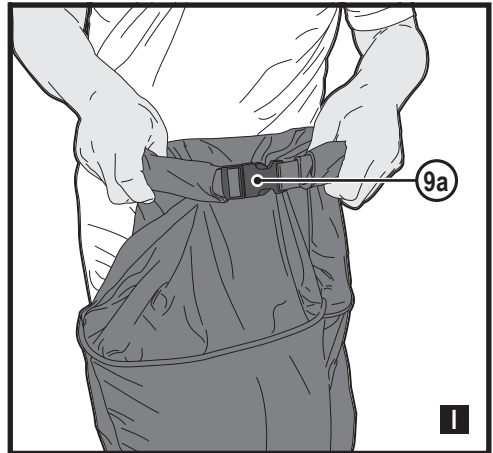
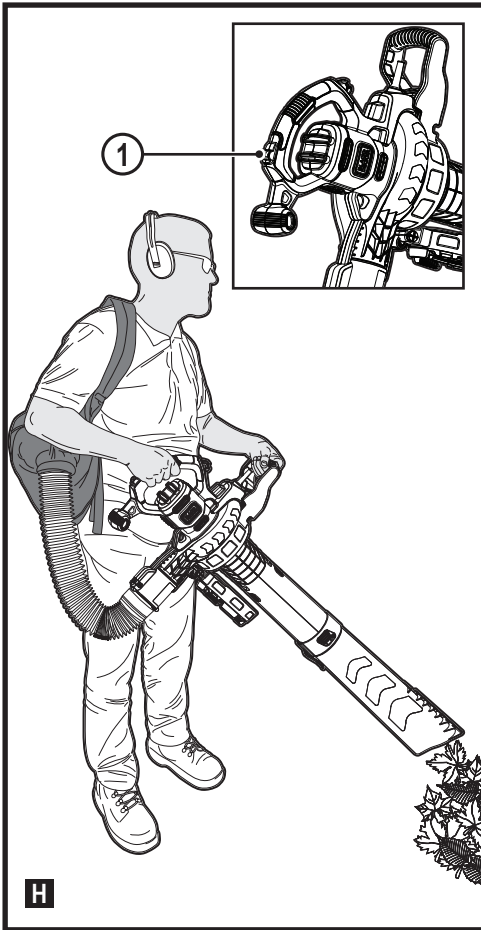
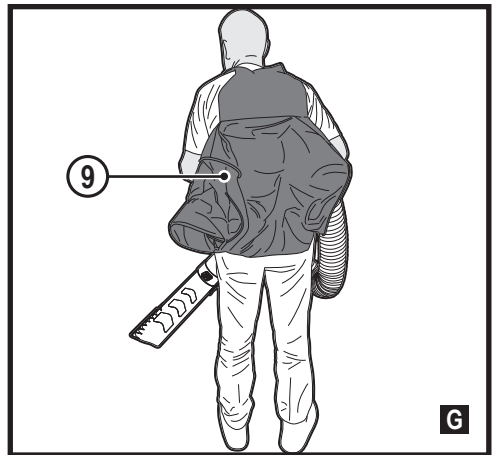
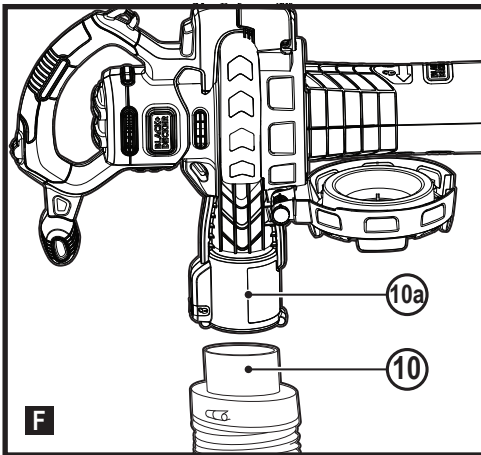
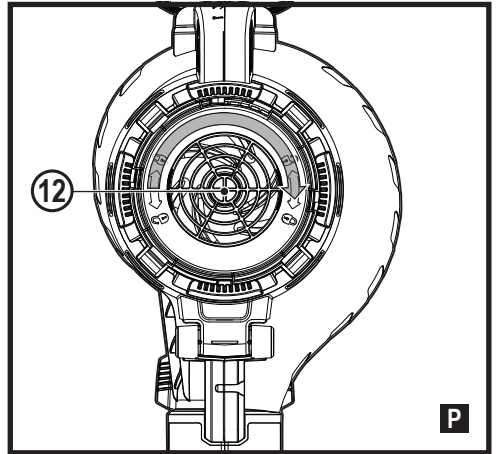
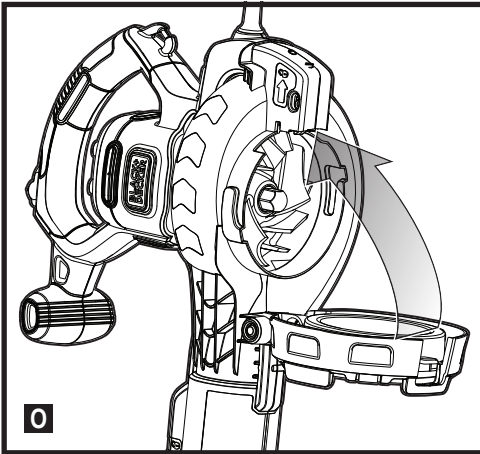
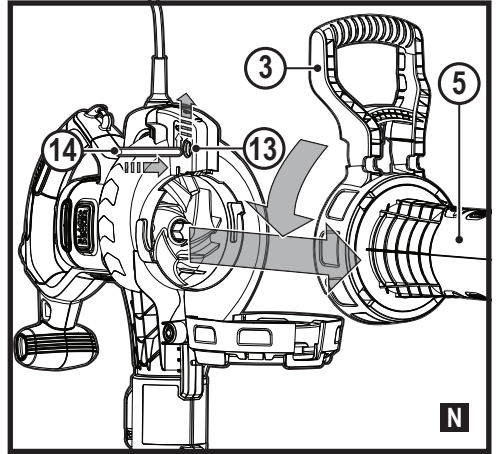
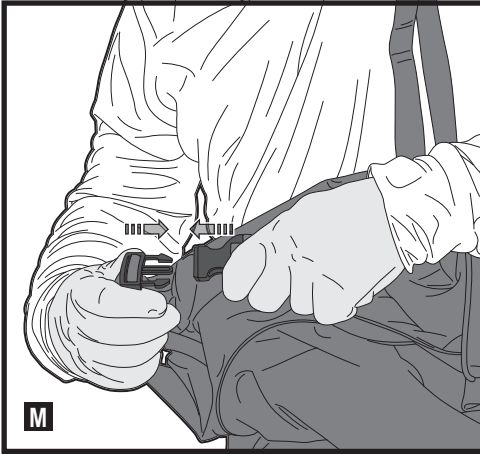
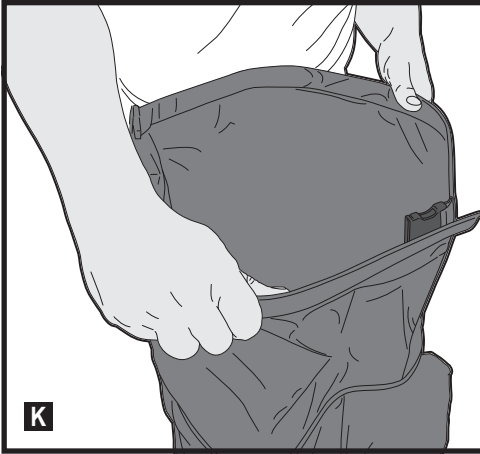
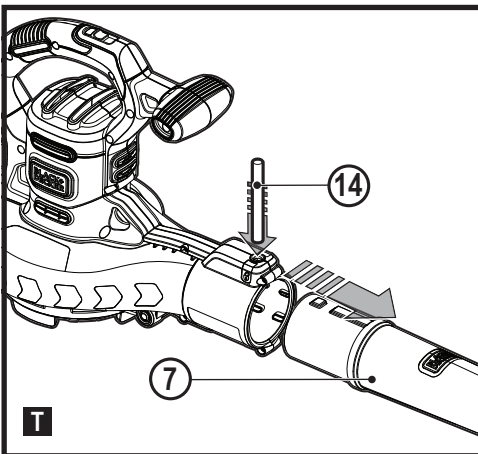
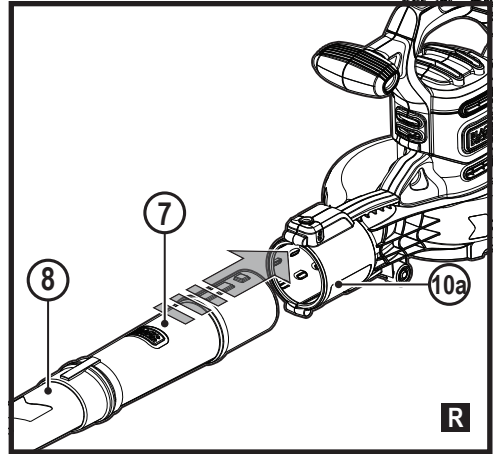
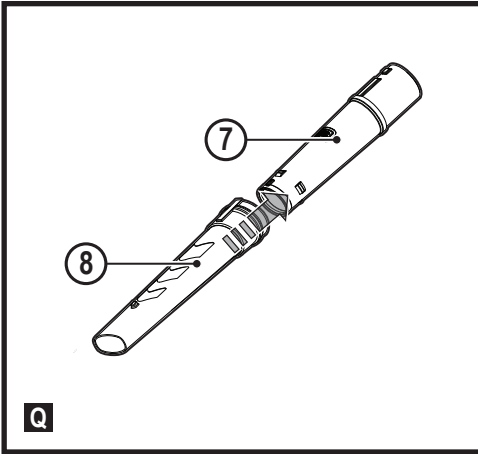


English (original instructions)	6
Deutsch (<i>übersetzt von den originalanweisungen</i>)	15
Français (<i>traduction de la notice d'instructions originale</i>)	23
Italiano (<i>tradotto dalle istruzioni originali</i>)	32
Nederlands (<i>vertaald vanuit de originele instructies</i>)	23
Español (<i>traducido de las instrucciones originales</i>)	29
Português (<i>traduzido das instruções originais</i>)	34
Svenska (<i>översatt från de ursprungliga instruktionerna</i>)	39
Norsk (<i>oversatt fra de originale instruksjonene</i>)	44
Dansk (<i>oversat fra original brugsvejledning</i>)	48
Suomi (<i>käännetty alkuperäisestä käyttöohjeesta</i>)	53
Ελληνικά (<i>μετάφραση από τις πρωτότυπες οδηγίες</i>)	57









Intended use

Your BLACK+DECKER™ BEBLV230 blower vacs have been designed for leaf clearing. These appliances are intended for consumer and outdoor use only.

General appliance safety warnings



Warning! When using mains powered/cordless

appliances, basic safety precautions, including the following, should always be followed to reduce the risk of fire, electric shock, personal injury and material damage.

- ◆ Read all of this manual carefully before using the appliance, be familiar with the controls and the proper use of the appliance.
- ◆ The intended use is described in this manual. The use of any accessory or attachment or the performance of any operation with this appliance other than those recommended in this instruction manual may present a risk of personal injury.

The term "appliance" in all of the warnings listed below refers to your mains operated (corded) appliance or battery operated (cordless) appliance. Save all warnings and instructions for future reference.

Save all warnings and instructions for future reference.

Using your appliance

- ◆ **Always take care when using the appliance.**
- ◆ Keep work area clean and well lit. Cluttered or dark areas invite accidents.
- ◆ Only use the appliance in daylight or good artificial light.
- ◆ Do not operate your appliance in explosive atmospheres, such as in the presence of flammable liquids, gases or dust.
- ◆ Never allow children or people unfamiliar with the instructions to use the appliance, local regulations may restrict the age of the operator.
- ◆ Do not allow children or animals to come near the work area or touch the appliance supply cord.
- ◆ Keep children, bystanders and animals away while operating an appliance. Distractions can cause you to lose control.
- ◆ The appliance is not to be used as a toy.
- ◆ Do not immerse the appliance in water.
- ◆ Do not open body casing. There are no user serviceable parts inside.

Personal safety

- ◆ Stay alert, watch what you are doing and use common sense when operating an appliance. Do not use an appliance while you are tired or under the influence of drugs, alcohol or medication. A moment of inattention while operating an appliance may result in serious personal injury.
- ◆ Where required, use personal protective equipment. Protective equipment such as eye protection, dust mask, non-skid safety shoes, hard hat, or hearing protection used for appropriate conditions will reduce personal injuries.
- ◆ Prevent unintentional starting. Make sure that the switch is in the off position before connecting to a power source and/or battery pack, picking up or carrying the appliance. Carrying appliances with your finger on the switch or energising appliances that have the switch on invites accidents.
- ◆ Do not overreach. Keep proper footing and balance at all times. This enables better control of the appliance in unexpected situations.
- ◆ Dress properly. Do not wear loose clothing or jewellery. Keep your hair, clothing and gloves away from moving parts. Loose clothes, jewellery or long hair can be caught in moving parts.

Appliance use and care

- ◆ Before use, check the appliance for damaged or defective parts. Check for breakage of parts, damage to switches and any other conditions that may affect its operation.
- ◆ Do not use the appliance if the switch does not turn it on and off. Any appliance that cannot be controlled with the switch is dangerous and must be repaired.
- ◆ Disconnect the plug from the power source and/or the battery pack from the appliance before making any adjustments, changing accessories, or storing appliances. Such preventive safety measures reduce the risk of starting the appliance accidentally.
- ◆ Where applicable, keep cutting tools sharp and clean. Properly maintained cutting tools with sharp cutting edges are less likely to bind and are easier to control.
- ◆ Do not use the appliance if any part is damaged or defective.
- ◆ Have any damaged or defective parts repaired or replaced by an authorised repair agent.
- ◆ Never attempt to remove or replace any parts other than those specified in this manual.

Electrical safety

- ◆ Appliance plugs must match the outlet. Never modify the plug in any way. Do not use any adapter plugs with earthed (grounded) appliance.

Unmodified plugs and matching outlets will reduce risk of electric shock.

- ◆ Do not expose appliance to rain or wet conditions. Water entering a appliance will increase the risk of electric shock.
- ◆ Do not abuse the cord. Never use the cord for carrying, pulling or unplugging the appliance. Keep cord away from heat, oil, sharp edges or moving parts. Damaged or entangled cords increase the risk of electric shock.
- ◆ When operating an appliance outdoors, use an extension cord suitable for outdoor use. Use of a cord suitable for outdoor use reduces the risk of electric shock.
- ◆ If operating an appliance in a damp location is unavoidable, use a Residual Current Device (RCD) protected supply. Use of an RCD reduces the risk of electric shock.

After Use

- ◆ When not in use, the appliance should be stored in a dry, well ventilated place out of the reach of children.
- ◆ Children should not have access to stored appliances.
- ◆ When the appliance is stored or transported in a vehicle it should be placed in the boot or restrained to prevent movement following sudden changes in speed or direction.

Service

- ◆ Have your appliance serviced by a qualified repair person using only identical replacement parts.

This will ensure that the safety of the appliance is maintained.

Additional Safety instructions for blow vacs

The intended use is described in this manual. The use of any accessory or attachment or performance of any operation with this appliance other than those recommended in this instruction manual can present a risk of personal injury and/or damage to property.

- ◆ To protect your feet and legs while operating the appliance, always wear heavy duty footwear and long trousers.
- ◆ Do not use in vacuum mode without the vacuum tubes and collection bag in place.
- ◆ Always switch off your product, allow the fan to stop and remove the plug from the socket when:
 - ◆ Changing from blower to vacuum.
 - ◆ The supply cable has become damaged or entangled.
 - ◆ You leave your product unattended.
 - ◆ Clearing a blockage.
 - ◆ Checking, adjusting, cleaning or working on your product.
 - ◆ If the appliance starts to vibrate abnormally.
- ◆ Do not place the inlet or outlet of the vacuum near eyes or ears when operating.
- ◆ Never blow debris in the direction of bystanders.
- ◆ Do not use in the rain or leave outdoors while it is raining.

- ◆ Do not cross gravel paths or roads whilst your product is switched on during blow/vac mode.
- ◆ Walk, never run.
- ◆ Do not place your unit down on gravel while it is switched on.
- ◆ Always be sure of your footing, particularly on slopes.
- ◆ Do not overreach and keep your balance at all times.
- ◆ Do not pick up matter that may be contaminated with flammable or combustible liquids such as gasoline, or use in areas where they might be present.
- ◆ Do not place any objects into the openings. Never use if the openings are blocked - keep free of hair, lint, dust and anything that may reduce the airflow.

Warning! Always use your product in the manner outlined in this manual.

Your product is designed to be used in an upright mode and if it is used in any other way it may result in injury. Never run your product whilst lying on it's side or upside down.

- ◆ The operator or user is responsible for accidents or hazards occurring to other people or their property.
- ◆ Do not carry the appliance by the cable.
- ◆ Always direct the cable to the rear away from the appliance.

Warning! If a cord becomes damaged during use, disconnect the supply cord from the mains supply immediately.

Do not touch the supply cord before disconnecting the supply.

- ◆ Do not use solvents or cleaning fluids to clean your product. Use a blunt scraper to remove grass and dirt.
- ◆ Check the collection bag frequently for wear or deterioration.
- ◆ Replacement fans are available from a BLACK+DECKER service agent. Use on BLACK+DECKER recommended spare parts and accessories.
- ◆ Keep all nuts bolts and screws tight to make sure that the appliance is in a safe working condition.

Safety of others

- ◆ This appliance can be used by children aged from 8 years and above and persons with reduced physical, sensory or mental capabilities or lack of experience and knowledge if they have been given supervision or instruction concerning use of the appliance in a safe way and understand the hazards involved. Children shall not play with the appliance. Cleaning and user maintenance shall not be made by children without supervision.
- ◆ Children should be supervised to ensure that they do not play with the appliance.

Electrical safety



This appliance is double insulated; therefore no earth wire is required.

Always check that the power supply corresponds to the voltage on the rating plate.

- ◆ If the supply cord is damaged, it must be replaced by the manufacturer or an authorised BLACK+DECKER Service Centre in order to avoid a hazard.
- ◆ Electric safety can be further improved by using a high sensitivity 30 mA Residual Current Device (RCD).

Using an extension cable

Always use an approved extension cable suitable for the power input of this tool (see technical data). The extension cable must be suitable for outdoor use and marked accordingly. Up to 30 m of 1.5 mm² HO5V V-F extension cable can be used without loss of product performance. Before use, inspect the extension cable for signs of damage, wear and ageing. Replace the extension cable if damaged or defective. When using a cable reel, always unwind the cable completely.

Residual risks

Additional residual risks may arise when using the tool which may not be included in the enclosed safety warnings. These risks can arise from misuse, prolonged use etc. Even with the application of the relevant safety regulations and the implementation of safety devices, certain residual risks can not be avoided. These include:

- ◆ Injuries caused by touching any rotating/ moving parts.
- ◆ Injuries caused when changing any parts, blades or accessories.
- ◆ Injuries caused by prolonged use of a tool. When using any tool for prolonged periods ensure you take regular breaks.
- ◆ Impairment of hearing.
- ◆ Health hazards caused by breathing dust developed when using your tool (example:- working with wood, especially oak, beech and MDF.).

Vibration

The declared vibration emission values stated in the technical data and the declaration of conformity have been measured in accordance with a standard test method provided by EN50636 and may be used for comparing one tool with another. The declared vibration emission value may also be used in a preliminary assessment of exposure.

Warning! The vibration emission value during actual use of the power tool can differ from the declared value depending on the ways in which the tool is used. The vibration level may increase above the level stated.

When assessing vibration exposure to determine safety measures required by 2002/44/EC to protect persons regularly using power tools in employment, an estimation of vibration exposure should consider, the actual conditions of use and the way the tool is used, including taking account of all parts of the operating

cycle such as the times when the tool is switched off and when it is running idle in addition to the trigger time.

Labels on Appliance

The following pictograms, along with the date code, are shown on the tool.



Warning! Read the manual prior to operation.



Wear safety glasses or goggles when operating this appliance.



Wear suitable ear protection when operating this appliance.



Do not expose the tool to rain or high humidity or leave outdoors while it is raining.



Switch off: remove plug from mains before cleaning or maintenance.



Disconnect the mains plug if the cord becomes damaged or entangled.



Beware of flying objects.



Keep bystanders away.



Directive 2000/14/EC guaranteed sound power.

Features

This appliance includes some or all of the following features.

1. On/Off switch - speed control
2. Front handle
3. Back handle
4. Power head
5. Upper vacuum tube
6. Lower vacuum tube
7. Upper blower tube
8. Lower blower tube
9. Collection bag

10. Bag connector

Using your product

Warning! When using as a blower or vacuum, always wear safety glasses. If using in dusty conditions, wear a filter mask as well.

Warning! Switch off your product, allow the fan to stop and remove the plug from the socket before carrying out any adjustment, servicing or maintenance.

Assembly



Warning! Before assembly, make sure that the appliance is switched off and unplugged.



Warning! Always wear protective gloves when working with your blow vac.

Vacuum tube assembly (fig. A)

The vacuum tubes must be assembled together before use.

Warning! Do not operate the appliance with the vacuum tubes separated.

- ◆ To ease assembly, apply a soapy water solution to the joint area.
- ◆ Align the notches (5a) and the recesses (6a) on the upper (5) and lower (6) vacuum tubes.
- ◆ Push the lower vacuum tube (6) firmly onto the upper vacuum tube (5) until they click into place.

Warning! Do not separate the tubes once assembled.

Vacuum mode (fig. B, C, D, E, F, G, H, I, J, K, L, M)

- ◆ Rotate the fan guard assembly anti-clockwise as (fig. B).
- ◆ Insert the rod (14) (supplied) into the fan guard release (13) and push upward to release the fan guard assembly (12) as shown in figure C.
- ◆ Drop the fan guard assembly (12) forward as shown in figure D.
- ◆ Insert the assembled vacuum tube (5) into the available recess in the power head (4) as shown in figure E.
- ◆ Rotate the assembled vacuum tube clockwise so that the bayonet fixing locks into place as shown in figure E.
- ◆ Insert the collection bag connector (10) onto the power head receptacle (10a) as shown in figure F.
- ◆ Place the straps from the collection bag (10) over your shoulders (fig. G) this will support the additional weight as the back pack collection bag fills.
- ◆ Position the vacuum tube slightly above the debris/leaves. Switch on the appliance by pushing the On/Off switch (1) upwards (fig.H insert) and use a sweeping motion; the debris/leaves will be sucked up the tube, and thrown into the collection bag (9) (fig. H).
- ◆ As the bag fills, the power of the suction will decrease, switch off the appliance and unplug from the mains power supply.

- ◆ Unclip the the catch (9a) on the back pack collection bag (fig I).
- ◆ Unfold the opening of the back pack collection pack (fig J).
- ◆ Open the back pack collection pack (fig K) and proceed to empty its contents.
- ◆ To seal the collection bag, hold the flexible bars together and roll 2-3 times (fig L).
- ◆ Latch the retaining clip (9a) as shown in figure M.

Warning! Never remove the collection bag without first turning off and unplugging the appliance.

Note: If the suction decreases and the bag is not full, the vacuum tube is probably clogged with debris. Turn off and unplug the vacuum and clear the tube before continuing.

- ◆ When task is complete, rotate the assembled vacuum tube anticlockwise to release the bayonet fixing. Insert the rod (14) into the fan guard release (13) and push upwards to release the assembled vacuum tube. Remove the assembled vacuum tube from the powerhead as shown in figure N.
- ◆ Replace the fan guard assembly as shown in figure O.
- ◆ Rotate the fan guard assembly clockwise as shown in figure P.

Blower mode (fig. Q, R, S, T)

- ◆ Assemble the upper blow tube (7) and the lower blow tube (8) as shown in figure Q.
- ◆ Push the assembled blow tube onto the vacuum outlet (10a) until the lock engages tightly with the blow tube as shown in figure R.

Warning! Never operate in Blow mode without the blow tube firmly in place.

- ◆ Hold the blow tube approximately 180 mm above the ground, switch on the appliance and using a sweeping motion from side to side, advance slowly keeping the accumulated debris/leaves in front of you (fig. S).
- ◆ Once you have blown the debris/leaves into a pile, you can remove the blow tube assembly by inserting the rod (14) into the aperture on the vacuum head and pushing down to release the lock as shown in figure T.
- ◆ Now you can convert to vacuum mode and collect the debris.

Troubleshooting

Problem	Possible solution
Failure to operate	Check the connection to the power supply
	Check the fuse in the plug, if blown, replace (UK only).
	Check that the blow/vacuum tube assembly is correctly fitted to the powerhead.
	If the fuse continues to blow - immediately disconnect from the mains power supply and consult your local BLACK+DECKER authorised repair agent.

Poor vacuum/high pitched whine	Switch off - disconnect from the mains power supply, debris should fall clear of the tube.
	Remove and empty the collection bag.
	Check that both the inlet and exit ports on the vacuum tube are clear.
	Remove any debris from the fan area.
	If poor vacuuming continues - immediately disconnect from the mains power supply and consult your local BLACK+DECKER authorised repair agent

Technical data

		BEBLV230
Input voltage	V_{AC}	230
Power Input	W	2300
Capacity	L	55
Weight (blower)	kg	3.6
Weight (vacuum)	kg	4.4

Level of sound pressure according to EN 50636-2-100

Sound pressure level at the operator position: (L_{pA}) 90.0 dB(A), uncertainty (K) 1.2 dB(A)

Sound power level (L_{WA}) 102.5 dB(A), uncertainty (K) 1.1 dB(A)

Vibration total values (triax vector sum) according to EN 50636-2-100

Vibration (a_v) 2.5 m/s², uncertainty (K) 1.5 m/s²

EC DECLARATION OF CONFORMITY MACHINERY DIRECTIVE



BEBLV230 Blower Vac

Black & Decker declares that these products described under "technical data" are in compliance with:

2006/42/EC, EN60335-1:2012 + AC:2014 + A11:2014 + A13:2017 + A1:2019 + A14:2019 + A2:2019
EN 50636-2-100:2014
2000/14/EC, Annex V

L_{WA} (measured sound power) 102.5 dB(A),

Uncertainty = 1.1 dB(A),

L_{WA} (guaranteed sound power) 104 dB(A).

These products also comply with Directive 2014/30/EU and 2011/65/EU.

For more information, please contact Black & Decker at the following address or refer to the back of the manual.

The undersigned is responsible for compilation of the technical file and makes this declaration on behalf of Black & Decker.

Patrick Diepenbach

Patrick Diepenbach
General Manager, Benelux
Black and Decker,
Egide Walschaertsstraat 14-18
2800 Mechelen, Belgium

15.03.2021

Maintenance

Your BLACK+DECKER appliance has been designed to operate over a long period of time with a minimum of maintenance.

Continuous satisfactory operation depends upon proper appliance care and regular cleaning.

- ◆ Keep the appliance clean and dry.
- ◆ Remove any leaves stuck to the inside of the vacuum tube.
- ◆ Regularly clean the ventilation slots with a clean, dry paint brush.
- ◆ Regularly clean the collection bag and ensure that it is clean and empty after each use.
- ◆ To clean the appliance, use only mild soap and a damp cloth. Never let any liquid get inside the tool and never immerse any part of the tool into liquid. Do not use any abrasive or solvent-based cleaner.
- ◆ Self lubricating bearings are used in your product, therefore lubrication is not required.

Mains plug replacement (U.K. & Ireland only)

If a new mains plug needs to be fitted:

- ◆ Safely dispose of the old plug.
- ◆ Connect the brown lead to the live terminal in the new plug.
- ◆ Connect the blue lead to the neutral terminal.

Warning! No connection is to be made to the earth terminal. Follow the fitting instructions supplied with good quality plugs. Recommended fuse: 13 A.

Protecting the environment



Separate collection. Products and batteries marked with this symbol must not be disposed of with normal household waste.

Products and batteries contain materials that can be recovered or recycled reducing the demand for raw materials. Please recycle electrical products and batteries according to local provisions. Further information is available at www.2helpU.com

DECLARATION OF CONFORMITY
THE SUPPLY OF MACHINERY (SAFETY)
REGULATIONS 2008
UK
CA

BEBLV230 Blower Vac

Black & Decker declares that these products described under "technical data" are in compliance with:

The Supply of Machinery (Safety) Regulations, 2008, S.I. 2008/1597 (as amended),

EN60335-1:2012 + AC:2014 + A11:2014 + A13:2017 + A1:2019 + A14:2019 + A2:2019.

EN 50636-2-100:2014

The Noise Emission in the Environment by Equipment for use Outdoors Regulations 2001, S.I. 2001/1701 (as amended), Schedule 8.

L_{WA} (measured sound power) 102.5 dB(A),

Uncertainty = 1.1 dB(A),

L_{WA} (guaranteed sound power) 104 dB(A).

These products conform to the following UK Regulations:

Electromagnetic Compatibility Regulations, 2016, S.I.2016/1091 (as amended).

The Restriction of the Use of Certain Hazardous Substances in Electrical and Electronic Equipment Regulations 2012, S.I. 2012/3032 (as amended).

For more information, please contact Black & Decker at the following address or refer to the back of the manual.

The undersigned is responsible for compilation of the technical file and makes this declaration on behalf of Black & Decker.



Paul Featherstone

Product Director – Outdoor Products Group
 Black and Decker UK, 270 Bath Road, Slough

Berkshire, SL1 4DX

United Kingdom

15.03.2021

Guarantee

Black & Decker is confident of the quality of its products and offers consumers a 24 month guarantee from the date of purchase. This guarantee is in addition to and in no way prejudices your statutory rights. The guarantee is valid within

the territories of the Member States of the European Union and the European Free Trade Area.

To claim on the guarantee, the claim must be in accordance with Black&Decker Terms and Conditions and you will need to submit proof of purchase to the seller or an authorised repair agent.

Terms and conditions of the Black&Decker 2 year guarantee and the location of your nearest authorised repair agent can be obtained on the Internet at www.2helpU.com, or by contacting your local Black & Decker office at the address indicated in this manual.

Please visit our website www.blackanddecker.co.uk to register your new Black & Decker product and receive updates on new products and special offers.

DEUTSCH

(Übersetzung der ursprünglichen Anweisungen)

Verwendungszweck

Die BLACK+DECKER™ Laubbläser/-sauger BEBLV230 wurden zur Beseitigung von Laub entwickelt. Diese Geräte sind nicht für den gewerblichen Einsatz vorgesehen und dürfen nur im Freien verwendet werden.

Allgemeine Sicherheitswarnungen für das Gerät



Warnung! Beachten Sie beim Umgang mit kabelgebundenen/ kabellosen

Geräten stets die grundlegenden Sicherheitshinweise, die im Folgenden beschrieben werden. Dadurch verhindern Sie Brände, Stromschläge sowie Sach- und Personenschäden.

- ◆ Lesen Sie diese Bedienungsanleitung vor der Verwendung des Geräts aufmerksam durch, und machen Sie sich mit den Bedienelementen sowie der ordnungsgemäßen Verwendung des Geräts vertraut.
- ◆ Der vorgesehene Verwendungszweck ist in dieser Anleitung beschrieben. Bei Verwendung von Zubehör oder Anbauteilen, die nicht in dieser Anleitung empfohlen werden, sowie bei der Verwendung des Geräts in Abweichung von den in dieser Anleitung beschriebenen Verfahren besteht Verletzungsgefahr.

Der in den folgenden Warnungen verwendete Begriff "Gerät" bezieht sich auf netzbetriebene Geräte (mit Netzkabel) und auf akkubetriebene Geräte (ohne Netzkabel).

Bewahren Sie alle Warnhinweise und alle Anweisungen gut auf.

Bewahren Sie alle Warnhinweise und alle Anweisungen gut auf.

Verwendung des Geräts

- ◆ **Verwenden Sie das Gerät stets mit Umsicht.**
- ◆ Halten Sie den Arbeitsbereich sauber und gut ausgeleuchtet. Unaufgeräumte oder dunkle Bereiche begünstigen Unfälle.

- ◆ Betreiben Sie das Gerät nur bei Tageslicht oder bei ausreichender Beleuchtung.
- ◆ Betreiben Sie das Gerät nicht in explosionsgefährdeter Umgebung, in der sich brennbare Flüssigkeiten, Gase oder Stäube befinden.
- ◆ Kinder oder Personen, die mit diesen Anweisungen nicht vertraut sind, dürfen das Gerät nicht verwenden. Möglicherweise wird das Mindestalter des Bedieners durch regionale Richtlinien festgelegt.
- ◆ Achten Sie darauf, dass sich im Arbeitsbereich keine Kinder oder Tiere aufhalten. Verhindern Sie, dass Kinder das Gerät oder das Netzkabel berühren.
- ◆ Halten Sie Kinder, Zuschauer und Tiere während der Benutzung von Geräten fern. Bei Ablenkung können Sie die Kontrolle verlieren.
- ◆ Das Gerät ist kein Spielzeug.
- ◆ Tauchen Sie das Gerät nicht in Wasser.
- ◆ Versuchen Sie nicht, das Gehäuse zu öffnen.
Es gibt keine vom Benutzer zu wartenden Teile im Inneren des Lasers.

Sicherheit von Personen

- ◆ Seien Sie aufmerksam, achten Sie darauf, was Sie tun, und gehen Sie sachgerecht mit dem Gerät um.

Benutzen Sie das Gerät nicht, wenn Sie müde sind oder unter dem Einfluss von Drogen, Alkohol oder Medikamenten stehen. Ein Moment der Unachtsamkeit beim Gebrauch von Geräten kann zu ernsthaften Verletzungen führen.

- ◆ Verwenden Sie ggf. eine geeignete Schutzausrüstung. Schutzausrüstung wie Augenschutz, rutschfeste Sicherheitsschuhe, Schutzhelm oder Gehörschutz, je nach Art und Einsatz des Geräts, verringert das Risiko von Verletzungen.
- ◆ Vermeiden Sie eine unbeabsichtigte Inbetriebnahme. Vergewissern Sie sich, dass das Gerät ausgeschaltet ist, bevor Sie es an eine Steckdose oder einen Akku anschließen, es hochheben oder tragen. Durch das Tragen des Geräts mit dem Finger am Schalter oder durch das Anschließen eingeschalteter Geräte werden Unfälle provoziert.
- ◆ Vermeiden Sie eine anormale Körperhaltung. Sorgen Sie für einen sicheren Stand und halten Sie jederzeit das Gleichgewicht. Dadurch können Sie das Gerät in unerwarteten Situationen besser unter Kontrolle halten.
- ◆ Tragen Sie geeignete Kleidung. Tragen Sie keine weite Kleidung und keinen Schmuck. Halten Sie Ihre Haare, Kleidung und Handschuhe von beweglichen Teilen fern.

Lose sitzende Kleidung, Schmuck oder lange Haare können sich in den beweglichen Teilen verfangen.

Gebrauch und Pflege von Geräten

- ◆ Prüfen Sie das Gerät vor der Verwendung auf beschädigte oder defekte Teile. Prüfen Sie, ob Teile gebrochen sind, Schalter beschädigt sind oder andere Bedingungen vorliegen, welche die Funktion beeinträchtigen könnten.
- ◆ Betreiben Sie das Gerät nicht, wenn der Schalter zum Ein- und Ausschalten nicht funktioniert. Ein Gerät, das sich nicht mehr ein- oder ausschalten lässt, ist gefährlich und muss repariert werden.
- ◆ Ziehen Sie den Stecker aus der Steckdose, und/oder trennen Sie das Gerät vom Akku, bevor Sie Einstellungen vornehmen, Zubehörteile wechseln oder das Gerät lagern. Diese Vorsichtsmaßnahmen verhindern den unbeabsichtigten Start des Geräts.
- ◆ Halten Sie ggf. die Schneidwerkzeuge scharf und sauber. Richtig gewartete Schneidwerkzeuge mit scharfen Klingen blockieren seltener und sind leichter unter Kontrolle zu halten.
- ◆ Betreiben Sie das Gerät nicht, wenn ein Teil beschädigt oder defekt ist.
- ◆ Lassen Sie beschädigte oder defekte Teile in einer Vertragswerkstatt reparieren oder austauschen.

- ◆ Ersetzen oder entfernen Sie keine Teile, für die in dieser Anleitung keine entsprechende Beschreibung enthalten ist.

Elektrische Sicherheit

- ◆ Der Netzstecker des Geräts muss in die Steckdose passen. Ändern Sie niemals den Stecker in irgendeiner Form. Verwenden Sie für schutzgeerdete Geräte keine Adapterstecker. Unveränderte Stecker und passende Steckdosen mindern die Gefahr eines elektrischen Schlags.
- ◆ Schützen Sie das Gerät vor Regen und Feuchtigkeit. Das Eindringen von Wasser in das Gerät erhöht das Risiko eines elektrischen Schlags.
- ◆ Verwenden Sie das Kabel ordnungsgemäß. Verwenden Sie das Kabel niemals zum Tragen. Trennen Sie das Gerät nicht durch Ziehen am Kabel vom Netz. Halten Sie das Kabel fern von Hitze, Öl, scharfen Kanten oder beweglichen Teilen. Beschädigte oder verhedderte Kabel erhöhen die Gefahr eines elektrischen Schlags.
- ◆ Verwenden Sie nur für den Außenbereich zugelassene Verlängerungskabel, wenn Sie mit dem Gerät im Freien arbeiten. Die Verwendung eines für den Außenbereich geeigneten Verlängerungskabels verringert das Risiko eines elektrischen Schlags.

- ◆ Wenn ein Gerät in einer feuchten Umgebung verwendet werden muss, schließen Sie es unbedingt an eine Steckdose mit Fehlerstromschutzschalter (FI-Schalter) an. Ein Fehlerstromschutzschalter verringert das Risiko eines elektrischen Schlags.

Nach dem Gebrauch

- ◆ Bewahren Sie das Gerät bei Nichtgebrauch an einem trockenen, gut belüfteten Ort außerhalb der Reichweite von Kindern auf.
- ◆ Kinder sollten keinen Zugang zu aufbewahrten Geräten haben.
- ◆ Wenn das Gerät in einem Fahrzeug transportiert oder gelagert wird, bewahren Sie es im Kofferraum oder einer geeigneten Ablage auf, damit es bei plötzlichen Geschwindigkeits- oder Richtungsänderungen nicht in Bewegung geraten kann.

Service

- ◆ Lassen Sie das Gerät nur von qualifiziertem Fachpersonal und nur mit Originalersatzteilen reparieren. So wird gewährleistet, dass die Sicherheit des Geräts erhalten bleibt.

Zusätzliche Sicherheitshinweise für Laubbläser/-sauger

Der vorgesehene Verwendungszweck ist in dieser Anleitung beschrieben.

Die Verwendung von Zubehör oder Anbauteilen, die nicht in dieser Anleitung empfohlen werden, sowie die Bedienung des Geräts in Abweichung von den in dieser Anleitung beschriebenen Verfahren kann zu Verletzungen und/oder Sachschäden führen.

- ◆ Tragen Sie zum Schutz Ihrer Füße und Beine stets feste Schuhe und eine lange Hose, wenn Sie mit dem Gerät arbeiten.
- ◆ Verwenden Sie den Saugmodus nur, wenn die Saugrohre und der Auffangbeutel angebracht sind.
- ◆ Schalten Sie in folgenden Fällen das Gerät stets aus, warten Sie, bis das Gebläse zum Stillstand gekommen ist, und ziehen Sie den Netzstecker:
- ◆ Wenn Sie von Blas- auf Saugbetrieb wechseln.
- ◆ Wenn das Netzkabel verheddert oder beschädigt ist.
 - ◆ Wenn Sie das Gerät unbeaufsichtigt lassen.
 - ◆ Wenn eine Verstopfung entfernt werden muss.
 - ◆ Wenn das Gerät überprüft, eingestellt oder gereinigt wird.
 - ◆ Wenn das Gerät ungewöhnlich stark zu vibrieren beginnt.
 - ◆ Halten Sie während des Betriebs Ihre Augen und Ohren von der Saug- und der Auslassöffnung fern.
 - ◆ Richten Sie das Gebläse nicht in Richtung von Personen in Ihrer Nähe.

- ◆ Verwenden Sie das Gerät nicht bei Regen, und lassen Sie es nicht im Regen liegen.
- ◆ Schalten Sie das Gerät vor dem Überqueren von Kieswegen aus.
- ◆ Betreiben Sie das Gerät nur im Gehen, nie im Rennen.
- ◆ Legen Sie das eingeschaltete Gerät nicht auf Kies ab.
- ◆ Achten Sie stets auf Trittsicherheit, insbesondere bei Arbeiten an Hängen.
- ◆ Achten Sie jederzeit auf einen sicheren Stand und eine sichere Balance.
- ◆ Saugen Sie keine Materialien auf, die mit entzündlichen Flüssigkeiten wie Benzin getränkt sein könnten. Verwenden Sie das Gerät nicht in der Nähe solcher Materialien.
- ◆ Stecken Sie keine Gegenstände in die Öffnungen des Geräts. Verwenden Sie das Gerät nicht, wenn die Öffnungen verstopft sind. Halten Sie die Öffnungen frei von Haaren, Flusen, Staub usw., damit der Luftstrom nicht beeinträchtigt wird.

Warnung! Befolgen Sie beim Gebrauch stets die Anweisungen in dieser Anleitung. Verwenden Sie das Gerät nur in aufrechter Position, um Verletzungen zu vermeiden. Betreiben Sie das Gerät nicht mit der Saugöffnung nach oben oder wenn es auf der Seite liegt.

- ◆ Der Bediener bzw. Benutzer ist für eventuelle Personen- oder Sachschäden verantwortlich.

- ◆ Tragen Sie das Gerät nicht am Kabel.
- ◆ Das Kabel sollte stets hinter dem Gerät geführt werden.

Warnung! Trennen Sie das Gerät sofort vom Stromnetz, wenn das Netzkabel während des Betriebs beschädigt wird. Berühren Sie das Kabel nicht, solange der Stecker noch in der Netzsteckdose steckt.

- ◆ Reinigen Sie das Gerät keinesfalls mit Lösungs- oder Reinigungsmitteln. Verwenden Sie einen stumpfen Schaber, um Gras und Verschmutzungen zu entfernen.
- ◆ Überprüfen Sie den Auffangbeutel regelmäßig auf Abnutzungen und Beschädigungen.
- ◆ Ersatzgebläse sind in BLACK+DECKER Vertragswerkstätten erhältlich. Verwenden Sie nur von BLACK+DECKER empfohlene Ersatz- und Zubehörteile.
- ◆ Ziehen Sie alle Muttern, Bolzen und Schrauben am Gerät fest, um einen sicheren Gerätebetrieb zu gewährleisten.

Sicherheit anderer Personen

- ◆ Dieses Gerät darf von Kindern ab 8 Jahren und Personen mit eingeschränkter körperlicher, sensorischer oder geistiger Fähigkeiten sowie mangelnder Erfahrung und Wissen in Bezug auf dessen Gebrauch bedient werden, wenn sie bei der Verwendung des Geräts beaufsichtigt oder angeleitet werden und die möglichen Gefahren

verstehen. Kinder dürfen nicht mit dem Gerät spielen. Reinigung und Wartungsarbeiten dürfen von Kindern nur unter Aufsicht durchgeführt werden.

- ◆ Kinder müssen beaufsichtigt werden, um sicherzustellen, dass sie nicht mit dem Gerät spielen.

Elektrische Sicherheit



Dieses Gerät ist schutzisoliert, daher ist keine Masseleitung erforderlich.

Überprüfen Sie immer, dass die Stromversorgung der Spannung auf dem Typenschild entspricht.

- ◆ Bei einer Beschädigung des Netzkabels muss dieses durch den Hersteller oder eine BLACK+DECKER-Vertragswerkstatt ausgetauscht werden, um mögliche Gefahren zu vermeiden.
- ◆ Die Verwendung eines Fehlerstromschutzschalters (30 mA) erhöht die elektrische Sicherheit.

Verwenden eines Verlängerungskabels

Verwenden Sie ausschließlich geprüfte Verlängerungskabel, die für die Leistungsaufnahme dieses Geräts ausgelegt sind (siehe "Technische Daten"). Das Verlängerungskabel muss für die Verwendung im Außenbereich geeignet und entsprechend gekennzeichnet sein.

Es kann ein 1.5 mm²-HO5V V-F-Verlängerungskabel von einer Länge von bis zu 30 m verwendet werden, ohne dass die Leistung des Geräts beeinträchtigt wird. Prüfen Sie vor der Inbetriebnahme das Netzkabel auf Verschleiß und Beschädigungen. Wechseln Sie beschädigte oder fehlerhafte Verlängerungskabel aus. Wenn Sie eine Kabeltrommel verwenden, wickeln Sie das Kabel vollständig ab.

Restrisiken

Beim Gebrauch dieses Geräts verbleiben zusätzliche Restrisiken, die möglicherweise nicht in den Sicherheitswarnungen genannt werden. Diese Risiken bestehen beispielsweise bei Missbrauch oder längerem Gebrauch. Auch bei der Einhaltung der entsprechenden Sicherheitsvorschriften und der Verwendung aller Sicherheitsgeräte bestehen weiterhin bestimmte Restrisiken. Diese sind:

- ◆ Verletzungen, die durch das Berühren von sich drehenden/bewegenden Teilen verursacht werden.
- ◆ Verletzungen, die durch das Austauschen von Teilen, Messern oder Zubehör verursacht werden.
- ◆ Verletzungen, die durch längeren Gebrauch eines Geräts verursacht werden. Legen Sie bei längerem Gebrauch regelmäßige Pausen ein.
- ◆ Beeinträchtigung des Gehörs.

- ◆ Gesundheitsrisiken durch das Einatmen von Staub beim Verwenden des Geräts (beispielsweise bei Holzarbeiten, insbesondere Eiche, Buche und MDF).

Vibration

Die in den Abschnitten "Technische Daten" und "EU-Konformitätserklärung" angegebenen Werte für die Vibrationsemission wurden mit einer Standard-Prüfmethode nach EN50636 ermittelt und können zum Vergleich verschiedener Geräte herangezogen werden. Außerdem kann mit Hilfe dieses Werts die Belastung bei Verwendung des Geräts schon im Voraus eingeschätzt werden.

Warnung! Die bei Verwendung des Geräts auftretende Vibrationsemission hängt von der Art des Gerätegebrauchs ab und kann dementsprechend von dem angegebenen Wert abweichen. Gegebenenfalls kann die Vibration über dem angegebenen Wert liegen. Für die Ermittlung der Vibrationsbelastung müssen die tatsächlichen Einsatzbedingungen und Verwendungen des Geräts während des gesamten Arbeitsgangs berücksichtigt werden, einschließlich der Zeiten, wenn das Gerät nicht verwendet oder im Leerlauf betrieben wird. Diese Werte werden benötigt, um die gemäß 2002/44/EG erforderlichen Sicherheitsmaßnahmen zum Schutz von Personen festlegen zu können.

Warnsymbole am Gerät

Folgende Piktogramme sowie der Datumcode befinden sich auf dem Werkzeug:



Warnung! Lesen Sie vor Inbetriebnahme die Bedienungsanleitung.



Tragen Sie eine Schutzbrille, wenn Sie mit dem Gerät arbeiten.



Tragen Sie einen geeigneten Gehörschutz, wenn Sie mit dem Gerät arbeiten.



Setzen Sie das Gerät weder Regen noch starker Feuchtigkeit aus.



Ausschalten: Vor der Reinigung bzw. Wartung Netzstecker ziehen.



Ziehen Sie den Netzstecker, wenn das Kabel beschädigt oder verheddert ist.



Achten Sie auf Gegenstände, die eventuell umhergeschleudert werden.



Halten Sie Zuschauer aus dem Gefahrenbereich fern.



Garantierter Schalldruckpegel, gemessen nach Richtlinie 2000/14/EG.

5. Oberes Saugrohr
6. Unteres Saugrohr
7. Oberes Gebläserohr
8. Unteres Gebläserohr
9. Auffangbeutel
10. Beutelanschluss

Verwenden des Geräts

Warnung! Tragen Sie beim Gebrauch des Laubbläser/-saugers stets eine Schutzbrille. Tragen Sie in staubigen Umgebungen zusätzlich eine Filtermaske.

Warnung! Schalten Sie das Gerät vor Anpassungen oder Wartungsarbeiten aus, warten Sie bis das Gebläse zum Stillstand gekommen ist, und ziehen Sie den Netzstecker.

Montage



Warnung! Vergewissern Sie sich vor der Montage, dass das Gerät ausgeschaltet und von der Stromversorgung getrennt ist.



Warnung! Tragen Sie stets Schutzhandschuhe, wenn Sie mit dem Laubbläser/-sauger arbeiten.

Montage des Saugrohrs (Abb. A)

Das Saugrohr muss vor der Verwendung montiert werden.

Warnung! Verwenden Sie das Gerät ausschließlich mit vollständig montiertem Saugrohr.

- ◆ Die Verwendung von Seifenlauge an der Verbindungsstelle erleichtert die Montage.
- ◆ Richten Sie die Kerben (5a) und die Dreiecke (6a) am oberen (5) und unteren (6) Saugrohr aus.
- ◆ Drücken Sie das untere Saugrohr (6) kräftig in das obere Saugrohr (5), bis sie einrasten.

Warnung! Versuchen Sie nicht, das Rohr nach der Montage wieder zu zerlegen.

Saugmodus (Abb. B, C, D, E, F, G, H, I, J, K, L, M)

- ◆ Drehen Sie die Lüfterschutzbaugruppe gegen den Uhrzeigersinn (Abb. B).
- ◆ Führen Sie die Stange (14) (mitgeliefert) in die Lüfterschutzentriegelungsvorrichtung (13) ein und drücken Sie sie nach oben, um die Lüfterschutzbaugruppe (12) wie in Abbildung C gezeigt zu lösen.
- ◆ Klappen Sie die Lüfterschutzbaugruppe (12) wie in Abbildung D gezeigt nach vorne.
- ◆ Setzen Sie das zusammengebaute Saugrohr (5) wie in Abbildung E gezeigt in die vorhandene Aussparung im Saugkopf (4) ein.
- ◆ Drehen Sie das zusammengebaute Saugrohr im Uhrzeigersinn, so dass der Bajonettverschluss wie in Abbildung E gezeigt einrastet.
- ◆ Setzen Sie den Beutelanschluss (10) wie in Abbildung F gezeigt in den Saugkopfanschluss (10a) ein.

Merkmale

Dieses Gerät verfügt über einige oder alle der folgenden Merkmale.

1. Ein/Aus-Schalter - Geschwindigkeitsregelung
2. Vorderer Handgriff
3. Hinterer Griff
4. Saugkopf

- ◆ Legen Sie sich die am Auffangbeutel (10) angebrachten Tragiemen über die Schultern (Abb. G), um das zusätzliche Gewicht zu halten, wenn sich der Rucksack-Auffangbeutel füllt.
- ◆ Halten Sie das Saugrohr dicht über dem Laub/ Schmutz. Schalten Sie das Gerät ein, indem Sie den Ein/Aus-Schalter (1) nach oben schieben (Ausschnitt in Abb. H), und saugen Sie das Laub/den Schmutz mit Kkehrbewegungen auf. Das Material wird vom Rohr aufgesaugt und im Auffangbeutel (10) gesammelt (Abb. H).
- ◆ Die Saugleistung lässt nach, wenn der Auffangbeutel gefüllt ist. Schalten Sie das Gerät aus, und ziehen Sie den Netzstecker.
- ◆ Lösen Sie den Haken (10a) am Rucksack-Auffangbeutel (Abb. I).
- ◆ Entfalten Sie die Öffnung am Rucksack-Auffangbeutel (Abb. J).
- ◆ Öffnen Sie den Rucksack-Auffangbeutel (Abb. K) und entleeren Sie ihn.
- ◆ Um den Auffangbeutel abzudichten, halten Sie die flexiblen Stangen zusammen und rollen Sie diese 2-3 Mal hin und her (Abb. L).
- ◆ Schließen Sie die Schnalle (10a) wie in Abbildung M gezeigt.

Warnung! Entfernen Sie den Auffangbeutel keinesfalls, ohne vorher das Gerät auszuschalten und vom Stromnetz zu trennen.

Hinweis: Wenn die Saugleistung trotz leerem Auffangbeutel nachlässt, ist möglicherweise das Saugrohr verstopft.

Schalten Sie das Gerät aus, trennen Sie es vom Stromnetz, und reinigen Sie das Rohr, bevor Sie die Arbeit fortsetzen.

- ◆ Danach drehen Sie das zusammengebaute Saugrohr gegen den Uhrzeigersinn, um den Bajonettverschluss zu lösen. Führen Sie die Stange (14) in die Lüfterschutzentriegelungsvorrichtung (13) ein und drücken Sie sie nach oben, um das zusammengebaute Saugrohr zu lösen. Entfernen Sie das zusammengebaute Saugrohr wie in Abbildung N gezeigt vom Saugkopf.
- ◆ Bringen Sie die Lüfterschutzbaugruppe wie in Abbildung O gezeigt wieder an.
- ◆ Drehen Sie die Lüfterschutzbaugruppe wie in Abbildung P gezeigt im Uhrzeigersinn.

Gebälsemodus (Abb. Q, R, S, T)

- ◆ Bauen Sie das obere Gebläserohr (7), das untere Gebläserohr (8) und den optionalen Konzentrator (9) wie in Abbildung Q gezeigt zusammen.
- ◆ Drücken Sie das zusammengebaute Gebläserohr wie in Abbildung R gezeigt auf die Auswurföffnung (10a), bis die Verriegelung sicher am Gebläserohr einrastet.

Warnung! Verwenden Sie den Gebläsemodus nicht, wenn das Gebläserohr nicht fest in seiner Position sitzt.

- ◆ Halten Sie das Gebläserohr ca. 180 mm über dem Boden, schalten Sie das Gerät ein, und führen Sie das Gerät mit Kkehrbewegungen von einer Seite zur anderen. Gehen Sie langsam vorwärts, und bleiben Sie stets hinter dem gesammelten Laub und Schmutz (Abb. S).
- ◆ Sobald Sie den Schmutz/die Blätter zu einem Haufen zusammengeblasen haben, können Sie die Blasrohrbaugruppe entfernen, indem Sie die Stange (14) in die Öffnung am Saugkopf einführen und nach unten drücken, um die Verriegelung wie in Abbildung T gezeigt zu lösen.
- ◆ Jetzt können Sie zum Saugmodus wechseln und Schmutz/Blätter aufsaugen.

Fehlerbehebung

Problem	Mögliche Lösung
Gerät kann nicht eingeschaltet werden	Überprüfen Sie die Stromversorgung.
	Überprüfen Sie die Sicherung des Steckers, und ersetzen Sie diese ggf. (nur Großbritannien).
	Überprüfen Sie, ob das Gebläse-/Saugrohr ordnungsgemäß an der Antriebseinheit angebracht ist.
	Wenn die Sicherung dennoch durchbrennt, ziehen Sie unverzüglich den Netzstecker, und wenden Sie sich bezüglich der Reparatur an eine BLACK+DECKER Vertragswerkstatt.
Geringe Saugleistung/ hohes Pfeifen	Schalten Sie das Gerät aus, und ziehen Sie den Netzstecker. Die Schmutzablagerungen sollten sich aus dem Rohr lösen.
	Entfernen Sie den Auffangbeutel, und leeren Sie diesen.
	Überprüfen Sie, ob die Einsaug- und Auswurföffnung des Saugrohrs verstopft sind.
	Entfernen Sie alle Verschmutzungen im Gebläsebereich.
	Wenn die Saugleistung sich nicht verbessert, ziehen Sie unverzüglich den Netzstecker, und wenden Sie sich bezüglich der Reparatur an eine BLACK+DECKER Vertragswerkstatt.

Wartung

Ihr BLACK+DECKER Gerät wurde im Hinblick auf eine lange Lebensdauer und einen möglichst geringen Wartungsaufwand entwickelt.

Ein kontinuierlicher, zufriedenstellender Betrieb hängt von der richtigen Pflege des Gerätes und seiner regelmäßigen Reinigung ab.

- ◆ Bewahren Sie das Gerät sauber und trocken auf.
- ◆ Entfernen Sie sämtliche Blätter aus dem Saugrohr.
- ◆ Reinigen Sie die Lüftungsschlitze regelmäßig mit einem sauberen, trockenen Pinsel.

- ◆ Reinigen Sie den Auffangbeutel regelmäßig, und stellen Sie nach jeder Verwendung sicher, dass er sauber und leer ist.
- ◆ Reinigen Sie das Gerät ausschließlich mit milder Seifenlösung und einem feuchten Tuch. Achten Sie darauf, dass keine Flüssigkeit in das Gerät gelangt. Tauchen Sie kein Teil des Geräts in Flüssigkeit ein. Verwenden Sie keine scheuernden Reinigungsmittel oder Reinigungsmittel auf Lösungsmittelbasis.
- ◆ Das Gerät verfügt über selbstschmierende Lager, weiteres Schmieren ist nicht erforderlich.

Austauschen des Netzsteckers (nur Großbritannien und Irland)

Wenn ein neuer Netzstecker angebracht werden muss:

- ◆ Entsorgen Sie den alten Stecker auf sachgerechte Weise.
- ◆ Verbinden Sie die braune Leitung mit dem spannungsführenden Anschluss des Steckers.
- ◆ Verbinden Sie die blaue Leitung mit dem neutralen Anschluss.

Warnung! Stellen Sie keine Verbindung mit dem Erdungsanschluss her.

Befolgen Sie die Montageanweisungen, die mit hochwertigen Steckern mitgeliefert werden.

Empfohlene Sicherung: 13 A.

Umweltschutz



Getrennte Entsorgung. Produkte und Akkus mit diesem Symbol dürfen nicht mit dem normalen Hausmüll entsorgt werden.

Produkte und Akkus enthalten Materialien, die wiederverwertet werden können, um den Bedarf an Rohstoffen zu verringern. Bitte recyceln Sie elektrische Produkte und Akkus gemäß den örtlichen Bestimmungen. Weitere Informationen finden Sie auf www.2helpU.com

Technische Daten

		BEBLV230
Eingangsspannung	V_{AC}	230
Leistungsaufnahme	W	2300
Kapazität	L	55
Gewicht (Laubgebläse)	kg	3,6
Gewicht (Laubsauger)	kg	4,4

Schalldruckpegel gemessen nach EN 50636-2-100

Schalldruckpegel an der Position des Bedieners: (L_{PA}) 90,0 dB(A), Unsicherheitsfaktor (K) 1,2 dB(A)

Schalleistungspegel (L_{WA}) 102,5 dB(A), Unsicherheitsfaktor (K) 1,1 dB(A)

Gesamtvibration (Triax-Vektorsumme) gemäß EN 50636-2-100

Vibration (a_v) 2,5 m/s², Unsicherheitsfaktor (K) 1,5 m/s²

EU-Konformitätserklärung

MASCHINENRICHTLINIE
AUSSENLAUTSTÄRKERICHTLINIE



BEBLV230 - Laubbläser/-sauger

Black & Decker erklärt, dass die in den technischen Daten

beschriebenen Geräte übereinstimmen mit:

2006/42/EC, EN 60335-1:2012 + A11:2014 + A13:2017 + A1:2019 + A14:2019 + A2:2019, EN 50636-2-100:2014; 2000/14/EG, Laubsauger/-bläser, Anhang V

DEKRA Certification B.V. Meander 1051 / P.O. Box 5185 6825 MJ ARNHEM / 6802 ED ARNHEM, Netherlands

Notified Body ID No.: 0344

Schallpegel gemäß 2000/14/EG (Artikel 13, Anhang III): Schalleistungspegel: L_{WA}: 102,5 dB(A); K=1,1 dB(A)

Garantierter Schalleistungspegel: L_{WA}: 104 dB(A)

Diese Produkte entsprechen außerdem den Richtlinien 2014/30/EU und 2011/65/EU. Weitere Informationen erhalten Sie von Black & Decker unter der folgenden Adresse. Diese befindet sich auch auf der Rückseite dieser Anleitung.

Der Unterzeichnete ist verantwortlich für die Zusammenstellung des technischen Dossiers und gibt diese Erklärung im Namen von Black & Decker ab.

Patrick Diepenbach

Patrick Diepenbach
General Manager, Benelux
Black and Decker,
Egide Walschaertsstraat 14-18
2800 Mechelen, Belgium
06/07/2021

Garantie

Black & Decker vertraut auf die Qualität der eigenen Geräte und bietet dem Käufer eine außergewöhnliche Garantie von 24 Monaten ab Kaufdatum. Diese Garantie versteht sich unbeschadet der gesetzlichen Gewährleistungsansprüche und schränkt diese keinesfalls ein. Diese Garantie gilt innerhalb der Staatsgebiete der Mitgliedstaaten der Europäischen Union und der Europäischen Freihandelszone.

Zur Inanspruchnahme dieser Garantie muss sie den allgemeinen Geschäftsbedingungen von Black&Decker

entsprechen und dem Verkäufer bzw. der Vertragswerkstatt ist ein Kaufnachweis vorzulegen.

Die Bedingungen für die 2-jährige Garantie von Black&Decker und den Standort Ihrer nächstgelegenen Vertragswerkstatt finden Sie im Internet unter www.2helpU.com oder indem Sie sich an die lokale Black&Decker-Niederlassung wenden, deren Adresse Sie in dieser Anleitung finden.

Ihr neues Black & Decker Produkt können Sie auf unserer Website unter www.blackanddecker.de registrieren. Dort

Utilisation prévue

Les aspirateurs-souffleurs BLACK+DECKER™ BEBLV230 ont été conçus pour éliminer les feuilles mortes. Ces appareils ne peuvent être utilisés qu'à l'extérieur et ils sont destinés à un usage grand public uniquement.

Consignes de sécurité concernant ce genre d'appareil



Avertissement ! L'utilisation d'appareil alimentés sur secteur/sans fil implique le respect de certaines précautions de sécurité élémentaires, dont celles qui suivent, afin de réduire les risques d'incendie, de choc électrique, de blessures et de dégâts matériels.

- ◆ Lisez attentivement l'ensemble de ce manuel avant d'utiliser l'appareil. Familiarisez-vous avec les commandes et l'utilisation correcte de l'appareil.
- ◆ Ce manuel décrit la manière d'utiliser cet appareil. L'utilisation d'un accessoire ou d'un équipement ou l'utilisation de cet appareil à d'autres fins que celles recommandées dans ce manuel d'utilisation peut présenter un risque de blessures.

La notion "d'appareil" mentionnée dans toutes les consignes de sécurité listées ci-dessous se rapporte à des appareils raccordés au secteur (avec câble de raccordement) ou alimentés par batterie (sans fil).

Conservez tous les avertissements et toutes les instructions afin de pouvoir vous y référer dans le futur.

Utiliser votre appareil

- ◆ **Prenez toutes les précautions nécessaires pour utiliser l'appareil.**
- ◆ Maintenez la zone de travail propre et bien éclairée. Les zones sombres ou encombrées sont propices aux accidents.
- ◆ N'utilisez l'appareil que de jour ou avec un bon éclairage artificiel.
- ◆ N'utilisez pas l'appareil dans un environnement présentant des risques d'explosion, ni en présence de liquides, gaz ou poussières inflammables.
- ◆ Ne laissez jamais les enfants ou toute autre personne ne connaissant pas ces instructions, utiliser l'appareil. Des réglementations locales peuvent limiter l'âge de l'opérateur.
- ◆ Ne laissez pas les enfants ou les animaux s'approcher de la zone de travail ou toucher le cordon électrique de l'appareil.
- ◆ Gardez les enfants, les autres personnes à proximité et les animaux éloignés pendant que vous utilisez l'appareil.

Toute distraction peut vous faire perdre le contrôle de l'outil.

- ◆ Cet appareil n'est pas un jouet et il ne doit pas être utilisé comme tel.
- ◆ Ne plongez pas l'appareil dans l'eau.
- ◆ N'ouvrez pas le boîtier. Il n'y a aucune pièce réparable par l'utilisateur à l'intérieur.

Sécurité des personnes

- ◆ Restez vigilant, surveillez ce que vous faites. Faites preuve de bon sens quand vous utilisez un appareil. N'utilisez pas l'appareil si vous êtes fatigué ou sous l'influence de drogue, d'alcool ou de médicaments. Tout moment d'inattention pendant l'utilisation de l'appareil peut entraîner de graves blessures.
- ◆ Portez les équipements de protection individuelle requis et nécessaires. En fonction du travail à effectuer, le port d'équipements de protection tels que des lunettes de protection, un masque anti-poussière, des chaussures de sécurité antidérapantes, un casque ou des protections auditives, réduit le risque de blessures.
- ◆ Empêchez tout démarrage intempestif. Assurez-vous que l'interrupteur est sur la position Arrêt avant de raccorder l'appareil à l'alimentation électrique et/ou au bloc-batterie ou avant de le ramasser ou de le transporter.

Le transport d'appareils avec le doigt sur l'interrupteur ou la mise sous tension d'un appareil dont l'interrupteur est en position Marche sont sources d'accidents.

- ◆ Ne vous penchez pas. Gardez les pieds bien ancrés au sol et conservez votre équilibre en permanence. Vous contrôlerez mieux l'appareil dans des situations inattendues.
- ◆ Portez des vêtements adaptés. Ne portez aucun vêtement ample ou bijou. Gardez vos cheveux, vos vêtements et vos gants éloignés des pièces mobiles. Les vêtements amples, les bijoux ou les cheveux longs peuvent être happés par les pièces mobiles.

Utiliser et entretenir l'appareil

- ◆ Avant utilisation, vérifiez que les pièces de l'appareil sont en bon état. Contrôlez l'absence de pièces cassées, d'interrupteurs endommagés et de toutes autres anomalies susceptibles de nuire au bon fonctionnement de l'appareil.
- ◆ N'utilisez pas l'appareil si l'interrupteur ne permet plus de le mettre en marche ou de l'éteindre. Tout appareil qui ne peut plus être commandé par son interrupteur est dangereux et doit être réparé.
- ◆ Débranchez la prise de courant et/ou retirez le bloc-batterie avant d'effectuer des réglages, de changer les accessoires ou de ranger l'appareil.

Ces mesures de précaution permettent de réduire le risque de mise en marche accidentelle.

- ◆ Le cas échéant, maintenez les organes de coupe aiguisés et propres. Des organes de coupe bien entretenus et affûtés sont moins susceptibles de rester coincés et ils sont plus faciles à contrôler.
- ◆ N'utilisez pas l'appareil si une quelconque pièce est endommagée ou défectueuse.
- ◆ Faites réparer ou remplacer les pièces défectueuses ou endommagées par un réparateur agréé.
- ◆ Ne tentez jamais de retirer ou de remplacer des pièces autres que celles mentionnées dans ce manuel.

Sécurité électrique

- ◆ Les prises de l'appareil doivent être adaptées à la prise de courant. Ne modifiez jamais la prise d'aucune sorte. N'utilisez pas d'adaptateurs de prises avec des appareils reliés à la prise de terre. L'utilisation de prises d'origine et de prises murales appropriées permet de réduire le risque de choc électrique.
- ◆ N'exposez pas l'appareil à la pluie ni à l'humidité. La pénétration d'eau augmente le risque de choc électrique.
- ◆ Ne tirez pas sur le cordon d'alimentation. N'utilisez jamais le câble pour porter, tirer ou débrancher l'appareil.

Maintenez le cordon éloigné de la chaleur, de substances grasses, de bords tranchants ou de pièces mobiles. Les cordons endommagés ou emmêlés augmentent le risque de choc électrique.

- ◆ Pour utiliser l'appareil à l'extérieur, utilisez une rallonge homologuée pour une utilisation à l'extérieur. L'utilisation d'une rallonge électrique homologuée pour les travaux en extérieur réduit le risque de choc électrique.
- ◆ Si l'utilisation d'un appareil dans un endroit humide est inévitable, utilisez une alimentation électrique protégée par un disjoncteur différentiel à courant résiduel (DDR). L'utilisation d'un DDR réduit le risque de choc électrique.

Après l'utilisation

- ◆ Quand il n'est pas utilisé, l'appareil doit être rangé dans un endroit sec, suffisamment aéré et hors de portée des enfants.
- ◆ Les enfants ne doivent pas avoir accès aux appareils rangés.
- ◆ Quand l'appareil est rangé ou transporté dans un véhicule, il doit être installé dans le coffre ou correctement calé pour éviter les mouvements dus aux changements de direction ou de vitesse.

Révision/Réparation

- ◆ Faites réparer votre appareil uniquement par du personnel qualifié et qui n'utilise que des pièces de rechange d'origine.

Cela permet de garantir la sûreté de l'appareil.

Consignes de sécurité supplémentaires liées aux aspirateurs-souffleurs

Ce manuel décrit la manière d'utiliser l'appareil. L'utilisation d'un accessoire ou d'un équipement ou l'utilisation de cet appareil à d'autres fins que celles recommandées dans ce manuel d'instructions peut entraîner des blessures et/ou des dommages matériels.

- ◆ Pour protéger vos pieds et vos jambes quand l'appareil est en marche, portez toujours des chaussures renforcées et un pantalon.
- ◆ N'utilisez pas l'appareil en mode aspiration sans que les tubes de l'aspirateur et le sac de récupération ne soient en place.
- ◆ Éteignez toujours votre produit, laissez le ventilateur s'arrêter et débranchez la prise murale quand/si :
 - ◆ Vous passez du mode Soufflage au mode Aspiration.
 - ◆ Le câble d'alimentation est endommagé ou emmêlé.
 - ◆ Vous laissez l'appareil sans surveillance.
 - ◆ Vous devez supprimer un bourrage.
 - ◆ Vous devez contrôler, régler, nettoyer ou réparer votre appareil.
 - ◆ L'appareil se met à vibrer anormalement.

- ◆ Ne placez pas l'arrivée ou la sortie d'air d'aspiration près de vos yeux ou de vos oreilles quand l'appareil est en marche.
- ◆ Ne soufflez jamais de débris vers les éventuelles personnes à proximité.
- ◆ N'utilisez en aucun cas l'appareil sous la pluie et ne le laissez pas à l'extérieur par temps pluvieux.
- ◆ Ne passez pas au dessus de chemins ou de routes gravillonnés si l'appareil est allumé et en mode soufflage/ aspiration.
- ◆ Marchez toujours, ne courez jamais.
- ◆ Ne reposez pas votre appareil sur les graviers quand il est encore en marche.
- ◆ Faites toujours attention à votre posture, surtout en pente.
- ◆ Ne vous penchez pas et faites en sorte de toujours conserver votre équilibre.
- ◆ N'aspirez pas des éléments qui pourraient être contaminés par des liquides inflammables ou combustibles comme du carburant par exemple ou dans des zones où ces produits pourraient être présents.
- ◆ Ne placez aucun objet dans les ouvertures. N'utilisez jamais l'appareil si les ouvertures sont obstruées – retirez la poussière, les cheveux et les peluches qui pourraient réduire le débit d'air.

Avvertissement ! Utilisez toujours cet appareil en respectant les consignes de ce manuel.

Votre appareil doit être utilisé à la verticale pour éviter les risques de blessures. N'utilisez jamais cet appareil à l'envers ou s'il est posé sur le côté.

- ◆ L'utilisateur est responsable des accidents ou des risques subis par autrui ou leurs biens.
- ◆ Ne portez pas l'appareil par le câble.
- ◆ Le câble doit toujours être dirigé vers l'arrière de l'appareil.

Avvertissement ! Si un câble est endommagé pendant l'utilisation, débranchez immédiatement l'appareil. Ne touchez surtout pas le câble avant de l'avoir débranché.

- ◆ N'utilisez pas de solvants ou de liquides de nettoyage pour nettoyer votre appareil. Utilisez un raclor souple pour retirer l'herbe et les saletés.
- ◆ Vérifiez régulièrement l'absence de traces d'usure ou de détérioration sur le sac de récupération.
- ◆ Des ventilateurs de rechange sont disponibles auprès de votre prestataire de service agréé BLACK+DECKER. N'utilisez que des pièces de rechange et des accessoires recommandés par BLACK+DECKER.
- ◆ Maintenez toujours tous les écrous, boulons et vis parfaitement serrés afin de garantir le bon état de fonctionnement de l'appareil.

Sécurité des personnes

- ◆ Cet appareil peut être utilisé par des enfants âgés de 8 ans ou plus et par des personnes aux capacités physiques, mentales ou sensorielles déficientes ou qui manquent d'expérience ou de connaissance s'ils sont supervisés ou qu'ils ont été formés à l'utilisation sûre de l'appareil et qu'ils sont conscients des risques potentiels. Ne laissez pas les enfants jouer avec l'appareil. Le nettoyage et la maintenance à réaliser par l'utilisateur ne doivent pas être entrepris par des enfants sans surveillance.
- ◆ Ne laissez jamais les enfants sans surveillance afin d'éviter qu'ils ne jouent avec l'appareil.

Sécurité électrique



Cet appareil est doublement isolé. Par conséquent, aucun fil de mise à la terre n'est nécessaire.

Assurez-vous toujours que l'alimentation électrique correspond à la tension mentionnée sur la plaque signalétique.

- ◆ Si le câble d'alimentation est endommagé, il doit être remplacé par le fabricant ou par un centre d'assistance agréé BLACK+DECKER afin d'éviter tout accident.
- ◆ Utilisez un dispositif différentiel à courant résiduel (DDR) de grande sensibilité, 30 mA, pour améliorer la sécurité électrique.

Utiliser une rallonge

Utilisez toujours une rallonge homologuée et adaptée à la puissance absorbée par cet outil (voir les caractéristiques techniques). La rallonge doit être homologuée pour une utilisation en extérieur et marquée en conséquence. Une rallonge HO5V V-F de 1,5 mm² allant jusqu'à 30 m peut être utilisée sans perte de puissance. Avant utilisation, vérifiez la rallonge et assurez-vous qu'elle est ne présente aucun signe de dommage, d'usure ou de vieillissement. Remplacez la rallonge si elle est endommagée ou défectueuse. Si vous utilisez un enrouleur de câble, déroulez toujours le câble complètement.

Risques résiduels

Certains risques résiduels autres que ceux mentionnés dans les avertissements sur la sécurité peuvent survenir en utilisant l'outil.

Ces risques peuvent survenir si la machine est mal utilisée, en cas d'utilisation prolongée, etc. Malgré le respect des normes de sécurité pertinentes et la présence de dispositifs de sécurité, les risques résiduels suivants ne peuvent être évités. Ils comprennent :

- ◆ Les blessures provoquées par le contact avec des pièces rotatives/mobiles.
- ◆ Les blessures provoquées pendant le remplacement des pièces, des lames ou des accessoires.
- ◆ Les blessures dues à l'utilisation prolongée d'un outil.

Lorsque vous utilisez un outil quel qu'il soit pendant de longues périodes, assurez-vous de faire des pauses régulières.

- ◆ La diminution de l'acuité auditive.
- ◆ Les risques pour la santé provoqués par l'inhalation des poussières générées pendant l'utilisation de votre outil (exemple : travail du bois, surtout le chêne, le hêtre et les panneaux en MDF).

Vibrations

La valeur des émissions de vibrations déclarée dans les caractéristiques techniques et la déclaration de conformité a été mesurée conformément à la méthode de test normalisée établie par la norme EN50636 et elle peut être utilisée pour comparer un outil à un autre. La valeur des émissions de vibrations déclarée peut aussi être utilisée pour une évaluation préliminaire à l'exposition.

Avertissement ! En fonction de la manière dont l'outil électrique est utilisé, la valeur des émissions de vibrations réelles pendant l'utilisation de l'outil peut différer de la valeur déclarée. Le niveau des vibrations peut dépasser le niveau déclaré. Quand l'exposition aux vibrations est évaluée afin de déterminer les mesures de sécurité requises par la norme 2002/44/CE pour protéger les personnes utilisant régulièrement des outils électriques, cette estimation doit tenir compte des conditions réelles d'utilisation et de la façon dont l'outil est utilisé.

Il faut également tenir compte de toutes les composantes du cycle de fonctionnement comme la durée pendant laquelle l'outil est arrêté et quand il fonctionne au ralenti, ainsi que la durée du déclenchement.

Étiquettes apposées sur l'appareil

Les pictogrammes suivants ainsi que le code date sont apposés sur l'outil.



Avertissement ! Lisez le manuel avant la mise en marche.



Portez toujours des lunettes de protection pour utiliser cet appareil.



Portez toujours des protections auditives appropriées pour utiliser cet appareil.



N'exposez pas l'appareil à la pluie ou à une forte humidité. Ne le laissez pas dehors par temps pluvieux.



Extinction : retirez la prise du secteur avant de procéder au nettoyage ou à l'entretien.



Débranchez la prise de courant si le cordon est endommagé ou emmêlé.



Faites attention aux projections d'objets.



Gardez à distance les éventuelles personnes à proximité.



Puissance sonore garantie conforme à la Directive 2000/14/CE.

Caractéristiques

Cet appareil présente tout ou partie des caractéristiques suivantes.

1. Interrupteur Marche/Arrêt - Contrôle de la vitesse
2. Poignée avant
3. Poignée arrière
4. Bloc-moteur
5. Tube d'aspiration supérieur
6. Tube d'aspiration inférieur
7. Tube de soufflage supérieur
8. Tube de soufflage inférieur
9. Sac de récupération
10. Raccord pour le sac

Utiliser votre appareil

Avertissement ! Portez toujours des lunettes de protection pour les travaux de soufflage et d'aspiration. Pour les travaux dégageant de la poussière, portez aussi un masque.

Avertissement ! Éteignez toujours l'appareil, laissez le ventilateur s'arrêter et débranchez la prise avant d'effectuer toute opération de réglage, de réparation ou de maintenance.

Assemblage



Avertissement ! Avant l'assemblage, assurez-vous que l'appareil est éteint et débranché.



Avertissement ! Portez toujours des gants de protection quand vous intervenez avec et sur votre aspirateur-souffleur.

Assembler le tube d'aspiration (Fig. A)

Les tubes d'aspiration doivent être assemblés les uns aux autres avant l'utilisation.

Avertissement ! N'utilisez pas l'appareil si les tubes ne sont pas assemblés.

- ◆ Pour faciliter l'assemblage, appliquez une solution d'eau savonneuse sur les raccords.
- ◆ Alignez les encoches (5a) et les renforcements (6a) des tubes d'aspiration supérieur (5) et inférieur (6).
- ◆ Poussez fermement le tube d'aspiration inférieur (6) dans le tube d'aspirateur supérieur (5) jusqu'à ce qu'ils s'enclenchent en place.

Avertissement ! Ne séparez pas les tubes une fois assemblés.

Mode Aspiration (Fig. B, C, D, E, F, G, H, I, J, K, L, M)

- ◆ Pivotez le carter de protection du ventilateur dans le sens inverse des aiguilles d'une montre, comme illustré par la figure B.
- ◆ Insérez la tige (14) (fournie) dans le mécanisme de libération du carter du ventilateur (13) et poussez vers le haut pour libérer l'ensemble carter de protection du ventilateur (12), comme illustré par la figure C.

- ◆ Lâchez le carter de protection du ventilateur (12) vers l'avant, comme illustré par la figure B.
- ◆ Insérez le tube d'aspiration assemblé (5) dans le renforcement à disposition sur le bloc-moteur (4), comme illustré par la figure E.
- ◆ Faites pivoter le tube d'aspiration assemblé dans le sens des aiguilles d'une montre de façon que la baïonnette de fixation se verrouille en place, comme illustré par la figure E.
- ◆ Insérez le sac de récupération (10) dans le raccord du bloc-moteur (10a), comme illustré par la figure F.
- ◆ Positionnez les sangles du sac de récupération (10) sur vos épaules (Fig. G) pour mieux supporter le poids supplémentaire, au fur et à mesure que le sac se remplit.
- ◆ Positionnez le tube d'aspiration légèrement au-dessus des débris/feuilles. Mettez l'appareil en marche en poussant l'interrupteur Marche/Arrêt (1) vers le haut (encart Fig. H) et effectuez un mouvement de balayage. Les débris/feuilles sont aspirés dans le tuyau et expédiés dans le sac de récupération (10) (Fig. H).
- ◆ Au fur et à mesure du remplissage du sac, la puissance de l'aspiration faiblit. Arrêtez l'appareil et débranchez-le de la prise murale.
- ◆ Déverrouillez le loquet (10a) sur le sac de récupération dorsal (Fig. I).
- ◆ Dépliez l'ouverture du sac de récupération dorsal (Fig. J).
- ◆ Ouvrez le sac de récupération dorsal (Fig. K) et videz son contenu.
- ◆ Pour refermer le sac de récupération de façon étanche, rapprochez les barres souples et enrroulez-les 2 à 3 fois (Fig L).
- ◆ Attachez le clip de retenu (10a), comme illustré par la figure M.

Avertissement ! Ne retirez jamais le sac sans avoir éteint et débrancher l'appareil.

Remarque : Si la puissance d'aspiration diminue et que le sac n'est pas plein, il est probable que le tube d'aspiration soit bouché par des débris. Éteignez et débranchez l'appareil, puis nettoyez le tube avant de continuer.

- ◆ Un fois terminé, faites pivoter le tube d'aspiration assemblé dans le sens inverse des aiguilles d'une montre pour libérer la baïonnette de fixation. Insérez la tige (14) dans le dispositif de libération du carter de protection du ventilateur (13) et poussez vers le haut pour libérer le tube d'aspiration. Retirez le tube d'aspiration complet du bloc-moteur, comme illustré par la figure N.
- ◆ Réinstallez le carter de protection du ventilateur, comme illustré par la figure O.
- ◆ Pivotez le carter de protection du ventilateur dans le sens des aiguilles d'une montre, comme illustré par la figure P.

Mode Soufflage (Fig. Q, R, S, T)

- ◆ Assemblez le tube de soufflage supérieur (7) le tube de soufflage inférieur (8) et le concentrateur (9) (facultatif), comme illustré par la figure Q.
- ◆ Poussez le tube de soufflage complet dans la sortie d'aspiration (10a) jusqu'à ce que l'attache soit fermement engagée dans le tube de soufflage, comme illustré par la figure R.

Avvertissement ! N'utilisez jamais le mode Soufflage sans que le tube de soufflage ne soit correctement installé.

- ◆ Tenez le tube de soufflage à environ 180 mm au-dessus du sol, allumez l'appareil et avancez lentement en balayant d'un côté à l'autre et en gardant les feuilles/débris devant vous (Fig. S).
- ◆ Après avoir soufflé les débris/feuilles en une pile, vous pouvez retirer le tube de soufflage complet en insérant la tige (14) dans l'ouverture sur la tête d'aspiration et en poussant vers le bas pour libérer l'attache, comme illustré par la figure T.
- ◆ Vous pouvez alors passer l'appareil en mode Aspiration pour aspirer les débris.

Dépannage

Problème	Solution possible
Fonctionnement impossible	Vérifiez le branchement à l'alimentation électrique
	Vérifiez le fusible de la prise. S'il est grillé, remplacez-le (Royaume-Uni uniquement).
	Vérifiez si le tube d'aspiration/soufflage est correctement raccordé au bloc-moteur.
	Si le fusible continue de griller – débranchez immédiatement l'appareil de la prise murale et consultez votre réparateur BLACK+DECKER local agréé.
Faible aspiration/bruit strident	Arrêtez l'appareil – débranchez-le de la prise murale, des débris devraient tomber du tuyau.
	Retirez le sac de récupération et videz-le.
	Vérifiez que l'entrée et la sortie du tube sont dégagées.
	Retirez les débris autour du ventilateur.
	Si l'aspiration reste inefficace – débranchez immédiatement l'appareil de la prise murale et consultez votre réparateur BLACK+DECKER agréé

Maintenance

Votre appareil BLACK+DECKER a été conçu pour fonctionner pendant longtemps avec un minimum d'entretien.

Le fonctionnement continu et satisfaisant de l'appareil dépend d'un entretien adéquat et d'un nettoyage régulier.

- ◆ Gardez l'appareil propre et sec.
- ◆ Retirez les feuilles collées à l'intérieur du tube d'aspiration.

- ◆ Nettoyez régulièrement les orifices d'aération à l'aide d'un pinceau propre et sec.
- ◆ Nettoyez régulièrement le sac d'aspiration et assurez-vous qu'il est toujours propre et vide après chaque utilisation.
- ◆ Pour nettoyer l'appareil, n'utilisez que du savon doux et un chiffon humide. Ne laissez jamais aucun liquide pénétrer à l'intérieur de l'outil et ne plongez aucune de ses pièces dans aucun liquide. N'utilisez pas de détergents abrasifs ou à base de solvants.
- ◆ Cet appareil intègre des roulements auto-lubrifiés, aucun graissage n'est donc nécessaire.

Remplacer la prise secteur (RU et Irlande uniquement)

Si une nouvelle prise secteur doit être installée :

- ◆ Déposez et jetez l'ancienne prise de façon appropriée.
- ◆ Raccordez le fil marron à la borne de phase de la nouvelle prise.
- ◆ Raccordez le fil bleu à la borne du neutre.

Avvertissement ! Aucun branchement ne doit être fait à la borne de terre.

Suivez les instructions d'installation fournies avec les prises de bonne qualité.

Fusible recommandé : 13 A.

Protection de l'environnement

Tri sélectif. Les produits et batteries marqués de ce symbole ne doivent pas être jetés avec les déchets ménagers.

Les produits et batteries contiennent des matières qui peuvent être récupérées et recyclées afin de réduire la demande en matières premières.

Veillez à recycler les produits électriques et les piles et batteries conformément aux prescriptions locales en vigueur. Pour plus d'informations, consultez le site www.2helpU.com

Caractéristiques techniques

		BEBLV230
Tension d'entrée	V_{CA}	230
Puissance absorbée	W	2300
Capacité	L	55
Poids (souffleur)	kg	3,6
Poids (aspirateur)	kg	4,4

Niveau de pression sonore selon la norme EN 50636-2-100

Niveau de pression sonore à l'endroit de l'utilisateur : (L_{pA}) 90,0 dB(A), incertitude (K) 1,2 dB(A)

Niveau de puissance sonore (L_{WA}) 102,5 dB(A), incertitude (K) 1,1 dB(A)

Valeurs totales des vibrations (somme vectorielle triaxiale) selon la norme EN 50636-2-100

Vibration (a_w) 2,5 m/s², incertitude (K) 1,5 m/s²

Déclaration de conformité CE

DIRECTIVES MACHINES
DIRECTIVE RELATIVE AUX NUISANCES SONORES
EXTÉRIEURES



BEBLV230- Aspirateur/Souffleur

Black & Decker déclare que les produits décrits dans les

"Caractéristiques techniques" sont conformes aux normes :
2006/42/CE, EN 60335-1:2012 + A11:2014 + A13:2017 +
A1:2019 + A14:2019 + A2:2019;
EN50636-2-100:2014

2000/14/CE, Aspirateur-souffleur, Annexe V
DEKRA Certification B.V. Meander 1051 / P.O. Box 5185
6825 MJ ARNHEM / 6802 ED ARNHEM, Netherlands
Notified Body ID No.: 0344

Niveau de puissance sonore selon la norme 2000/14/CE
(Article 13, Annexe III) :

Niveau de puissance sonore : L_{wA} : 102,5 dB(A); K=1,1 dB(A)
Le niveau de puissance acoustique garanti : L_{WA} : 104 dB(A)

Ces produits sont également conformes aux Directives
2014/30/UE et 2011/65/UE. Pour plus de détails, veuillez
contacter Black & Decker à l'adresse suivante ou consultez la
dernière page du manuel.

Le soussigné est responsable de la compilation du fichier
technique et fait cette déclaration au nom de
Black & Decker.

Patrick Diepenbach

Patrick Diepenbach
General Manager, Benelux
Black and Decker,
Egide Walschaertsstraat 14-18
2800 Mechelen, Belgium
06/07/2021

Garantie

Black & Decker est sûr de la qualité de ses produits et offre une garantie de 24 mois aux utilisateurs, à partir de la date d'achat. Cette garantie s'ajoute à vos droits légaux auxquels elle ne porte aucunement préjudice. Cette garantie est valable au sein des territoires des États membres de l'Union Européenne et au sein de la Zone européenne de libre-échange.

Pour prétendre à la garantie, la réclamation doit être en conformité avec les conditions générales de Black & Decker et vous devez fournir une preuve d'achat au vendeur ou au réparateur agréé.

Les conditions générales de la garantie de 2 ans Black&Decker ainsi que l'adresse du réparateur agréé le plus proche sont disponibles sur le site Internet www.2helpU.com ou en contactant votre agence Black & Decker locale à l'adresse indiquée dans ce manuel.

Veuillez consulter notre site Internet www.blackanddecker.co.uk pour enregistrer votre nouveau produit Black & Decker et pour être tenu informé des nouveaux produits et offres spéciales.

(Traduzione del testo originale)

ITALIANO

Usò previsto

I modelli di soffiatore aspiratore BEBLV230 BLACK+DECKER™ sono stati progettati per la rimozione di foglie. Questi elettrodomestici sono concepiti esclusivamente per uso domestico all'esterno.

Avvertenze di sicurezza generiche per gli elettrodomestici



Avvertenza! Quando si usano utensili alimentati elettricamente, con o senza filo, osservare sempre le normali precauzioni di sicurezza per ridurre il rischio di incendio, scossa elettrica, lesioni alle persone e danni materiali.

- ◆ Leggere attentamente il presente manuale prima di utilizzare l'elettrodomestico; imparare bene i comandi e come usare in modo appropriato l'elettrodomestico.
- ◆ L'uso previsto è descritto in questo manuale.

Se questo elettrodomestico viene utilizzato con accessori o per impieghi diversi da quelli raccomandati in questo manuale, si potrebbero verificare lesioni a persone.

Il termine "elettroutensile" che ricorre in tutte le avvertenze seguenti si riferisce a utensili elettrici alimentati tramite la rete elettrica (con filo) o alimentati a batteria (senza filo).

Conservare tutte le avvertenze e le istruzioni per consultazioni successive.

Impiego dell'elettroutensile

◆ Prestare sempre attenzione quando si usa l'elettroutensile.

- ◆ Tenere pulita e ben illuminata l'area di lavoro. Gli ambienti disordinati o scarsamente illuminati favoriscono gli incidenti.
- ◆ Usare l'elettroutensile solo alla luce del giorno o con una buona luce artificiale.
- ◆ Evitare d'impiegare questo elettroutensile in ambienti esposti al rischio di esplosione, ad esempio in presenza di liquidi, gas o polveri infiammabili.
- ◆ Vietare l'uso dell'elettroutensile a bambini o adulti che non abbiano letto il presente manuale; i regolamenti locali in vigore potrebbero limitare l'età dell'utilizzatore.
- ◆ Vietare a bambini o animali di avvicinarsi all'area di lavoro o di toccare l'elettroutensile o il cavo di alimentazione.
- ◆ Mantenere lontani bambini e altre persone presenti mentre si usa l'elettroutensile. Eventuali distrazioni possono provocare la perdita di controllo dello stesso.

- ◆ Questo elettroutensile non deve essere usato come un giocattolo.
- ◆ Non immergere l'elettroutensile in acqua.
- ◆ Non aprire il corpo dell'elettroutensile. All'interno non sono presenti parti riparabili dall'utilizzatore.

Sicurezza delle persone

- ◆ È importante concentrarsi su ciò che si sta facendo e maneggiare con giudizio un elettroutensile. Non adoperare l'elettroutensile se si è stanchi o sotto l'effetto di stupefacenti, alcol o medicinali. Un attimo di distrazione durante l'impiego dell'elettroutensile può causare gravi lesioni personali.
- ◆ Se necessario, utilizzare un dispositivo di protezione individuale. Se si avrà cura d'indossare il dispositivo di protezione necessario, quali ad esempio occhiali protettivi, una maschera antipolvere, calzature antiscivolo, un casco o delle protezioni acustiche, si ridurrà il rischio di infortuni.
- ◆ Impedire l'avviamento involontario. Accertarsi che l'interruttore di accensione sia in posizione "off" (spento), prima di collegare l'elettroutensile all'alimentazione elettrica e/o alla batteria, di prenderlo in mano o di trasportarlo. Per non esporsi al rischio di incidenti, non trasportare l'elettroutensile tenendo le dita sull'interruttore oppure se è collegato a una fonte di alimentazione elettrica, con l'interruttore acceso.

- ◆ Non sporgersi troppo. Mantenere sempre un appoggio e un equilibrio adeguati. In questo modo è possibile controllare meglio l'elettrodomestico in situazioni inattese.
- ◆ Vestirsi adeguatamente. Non indossare abiti larghi o gioielli. Tenere i capelli, gli indumenti e i guanti lontano dalle parti mobili. Indumenti larghi, gioielli o capelli lunghi possono impigliarsi nelle parti in movimento.

Utilizzo e cura dell'elettrodomestico

- ◆ Prima dell'uso, verificare che l'elettrodomestico non sia danneggiato e non presenti parti difettose. Controllare che non siano presenti parti rotte, interruttori danneggiati o altre condizioni che potrebbero incidere sul suo funzionamento.
- ◆ Non usare l'elettrodomestico se l'interruttore di accensione/spengimento non funziona correttamente. Un elettrodomestico che non può essere controllato mediante l'interruttore è pericoloso e deve essere riparato.
- ◆ Scollegare la spina dalla presa di corrente e/o la batteria dall'elettrodomestico prima di regolarlo o di riparlo oppure di sostituire gli accessori. Queste precauzioni riducono la possibilità che l'elettrodomestico venga messo in funzione accidentalmente.
- ◆ Se pertinente, mantenere affilati e puliti gli utensili da taglio.

La manutenzione corretta degli utensili da taglio con bordi affilati riduce le probabilità di inceppamento e ne facilita il controllo.

- ◆ Non usare l'elettrodomestico se alcune parti sono danneggiate o difettose.
- ◆ Fare riparare o sostituire le parti danneggiate o difettose da un tecnico autorizzato.
- ◆ Non tentare di smontare o sostituire alcuna parte, ad eccezione di quelle specificate in questo manuale.

Sicurezza elettrica

- ◆ Le spine elettriche dell'elettrodomestico devono essere adatte alle prese di corrente. Non modificare la spina in alcun modo. Non usare adattatori con elettrodomestici provvisti di messa a terra. Per ridurre il rischio di scossa elettrica evitare di modificare le spine e utilizzare sempre le prese di corrente appropriate.
- ◆ Non esporre l'elettrodomestico alla pioggia o all'umidità. L'eventuale infiltrazione di acqua in un elettrodomestico aumenta il rischio di scossa elettrica.
- ◆ Non utilizzare il cavo di alimentazione in modo improprio. Non usare il cavo per trasportare o trainare l'elettrodomestico e non tirarlo per estrarre la spina dalla presa di corrente. Tenere il cavo di alimentazione lontano da fonti di calore, olio, bordi taglienti o parti in movimento.

Se il cavo è danneggiato o impigliato, il rischio di scossa elettrica aumenta.

- ◆ Se l'elettrotensile viene adoperato all'aperto, usare esclusivamente prolunghie omologate per l'impiego all'esterno. L'uso di un cavo di alimentazione adatto per esterni riduce il rischio di scossa elettrica.
- ◆ Se non è possibile evitare di lavorare con l'elettrotensile in una zona umida, collegarsi a una rete elettrica protetta da un interruttore differenziale (RCD). L'uso di un interruttore differenziale riduce il rischio di scossa elettrica.

Dopo l'uso

- ◆ Quando non viene usato, l'elettrotensile deve essere custodito in un luogo asciutto e ben ventilato, fuori dalla portata dei bambini.
- ◆ L'elettrotensile non deve essere riposto alla portata dei bambini.
- ◆ Se viene conservato o trasportato a bordo di un veicolo, l'elettrotensile deve essere riposto nel bagagliaio o legato per evitare che si sposti in caso di cambiamento repentino della velocità o della direzione di marcia.

Assistenza

- ◆ Fare riparare l'elettrotensile solo ed esclusivamente da personale specializzato e usando solamente ricambi originali. In questo modo si evita di alterare la sicurezza dell'elettrotensile.

Istruzioni di sicurezza aggiuntive per i soffiatori-aspiratori

L'uso previsto è descritto nel presente manuale. L'uso di questo elettrotensile con accessori o altre parti montate oppure per scopi diversi da quelli raccomandati nel presente manuale, potrebbe essere causa di lesioni personali e/o danni materiali.

- ◆ Per proteggere piedi e gambe durante l'impiego dell'elettrotensile indossare sempre calzature da lavoro robuste e pantaloni lunghi.
- ◆ Non usare l'elettrotensile nella modalità di aspirazione senza aver montato i tubi di aspirazione e il sacco di raccolta.
- ◆ Spegnere sempre l'elettrotensile, lasciare che la ventola smetta di girare e scollegare la spina dalla presa di corrente nei seguenti casi:
 - ◆ si passa dalla modalità di soffiatura a quella di aspirazione;
 - ◆ se il cavo di alimentazione ha subito danni o è attorcigliato;
 - ◆ quando si lascia l'elettrotensile incustodito;
 - ◆ se si deve eliminare un'ostruzione;
 - ◆ quando si eseguono controlli, regolazioni, interventi di pulizia o manutenzione sull'elettrotensile;
 - ◆ se l'elettrotensile comincia a vibrare in modo anomalo.
- ◆ Non appoggiare la bocchetta dell'aria in ingresso o in uscita del soffiatore vicino agli occhi o alle orecchie durante l'uso.

- ◆ Non soffiare mai detriti verso altre persone.
- ◆ Non usare l'elettrotensile sotto la pioggia e non lasciarlo all'aperto quando piove.
- ◆ Non attraversare sentieri o strade coperti di ghiaia quando l'elettrotensile è acceso nella modalità di soffiatura/aspirazione.
- ◆ Camminare, non correre.
- ◆ Non appoggiare l'elettrotensile sulla ghiaia mentre è acceso.
- ◆ Mantenersi sempre saldi sui piedi, in modo particolare sui pendii.
- ◆ Mantenersi sempre saldi sui piedi e bene equilibrati, evitando di sporgersi.
- ◆ Non aspirare sostanze che possono essere state contaminate da liquidi infiammabili o combustibili, come la benzina e non usare l'elettrotensile in aree dove tali sostanze potrebbero essere presenti.
- ◆ Non inserire oggetti nelle aperture nell'elettrotensile. Non usarlo mai se le aperture sono bloccate – mantenerlo libero da capelli, lanugine, polvere e da tutto ciò che possa limitare il passaggio dell'aria.

Avvertenza! Usare sempre l'elettrotensile come descritto nel presente manuale.

Il prodotto è stato progettato per essere usato in verticale e, se lo si utilizza in modo diverso, potrebbero verificarsi lesioni a persone. Non fare mai funzionare l'elettrotensile quando è appoggiato su un fianco o è capovolto.

- ◆ L'utilizzatore è responsabile di eventuali rischi o incidenti che coinvolgono terzi o cose di loro proprietà.
- ◆ Non trasportare l'elettrotensile dal cavo.
- ◆ Tenere sempre il cavo dietro di sé, lontano dall'elettrotensile.

Avvertenza! Se il cavo di alimentazione subisce danni durante l'uso, scollegarlo immediatamente dalla presa di corrente. Non toccare il cavo di alimentazione prima di scollegarlo dalla presa di corrente.

- ◆ Non usare solventi o detergenti liquidi per pulire l'elettrotensile. Usare un raschietto non appuntito per eliminare erba e sporcizia.
- ◆ Controllare di frequente il sacco di raccolta per vedere che non sia usurato o rovinato.
- ◆ Le ventole di ricambio sono reperibili presso qualsiasi rivenditore autorizzato BLACK+DECKER. Usare solo ricambi e accessori raccomandati da BLACK+DECKER.
- ◆ Mantenere sempre ben saldi dadi, bulloni e viti per garantire che l'elettrotensile funzioni in modo sicuro.

Sicurezza altrui

- ◆ Questo elettrotensile può essere usato da bambini dagli 8 anni in su e da persone portatrici di handicap fisici, psichici o sensoriali o che non possiedono la dovuta esperienza o conoscenza, purché siano seguiti

o opportunamente istruiti sull'uso sicuro e comprendano i pericoli inerenti. Non lasciare che i bambini giochino con l'elettrotensile. Gli interventi di pulizia e manutenzione da parte dell'utilizzatore non devono essere eseguiti da bambini senza supervisione.

- ◆ Sorvegliare i bambini per assicurarsi che non giochino con l'elettrotensile.

Sicurezza elettrica



Il doppio isolamento di cui è provvisto l'elettrotensile rende superfluo il filo di terra.

Assicurarsi che la tensione della rete di alimentazione corrisponda al valore indicato sulla targhetta dei valori nominali.

- ◆ In caso di danneggiamento del cavo di alimentazione, farlo riparare dal produttore o presso un Centro di assistenza BLACK+DECKER autorizzato, in modo da evitare pericoli.
- ◆ a sicurezza elettrica può essere ulteriormente aumentata utilizzando un dispositivo a corrente residua (RCD) ad alta sensibilità (30 mA).

Utilizzo di un cavo di prolunga

Usare sempre un cavo di prolunga di tipo omologato, idoneo all'assorbimento di corrente di questo elettrotensile (vedere i Dati tecnici).

Il cavo di prolunga deve essere idoneo per l'impiego all'esterno e deve essere opportunamente contrassegnato. È possibile usare un cavo di prolunga lungo fino a 30 m con diametro di 1.5 mm² HO5V V-F senza perdita alcuna di prestazioni dell'elettrotensile. Prima dell'impiego, ispezionare il cavo di prolunga per accertarsi che non presenti segni di danneggiamento, usura o invecchiamento. Sostituire il cavo di prolunga se è danneggiato o difettoso. Se si utilizza un avvolgitore, estrarre il cavo per l'intera lunghezza.

Rischi residui

L'utilizzo dell'elettrotensile può comportare rischi residui non necessariamente riportati nelle presenti avvertenze di sicurezza.

Tali rischi possono sorgere a causa di un uso prolungato o improprio, ecc. Malgrado l'osservanza dei relativi regolamenti di sicurezza e l'impiego dei dispositivi di sicurezza, determinati rischi residui non possono essere evitati. Sono inclusi:

- ◆ lesioni causate o subite a seguito del contatto con parti rotanti/in movimento;
- ◆ lesioni causate o subite durante la sostituzione di parti, lame o accessori;
- ◆ lesioni causate dall'impiego prolungato di un elettrotensile (quando si utilizza qualsiasi apparecchio per lunghi periodi, accertarsi di fare regolarmente delle pause);
- ◆ menomazioni uditive;

- ◆ rischi per la salute causati dall'aspirazione di polvere generata dall'utilizzo dell'apparecchio (ad esempio, quando si lavora con il legno, in modo particolare quello di quercia, faggio o l'MDF).

Vibrazioni

I valori dichiarati delle emissioni di vibrazioni, indicati nei dati tecnici e nella dichiarazione di conformità del presente manuale, sono stati misurati in base al metodo di test standard previsto dalla normativa EN50636 e possono essere usati come paragone tra un attrezzo e un altro. Il valore delle emissioni di vibrazioni dichiarato può anche essere usato come valutazione preliminare dell'esposizione.

Avvertenza! Il valore delle emissioni di vibrazioni durante l'impiego effettivo dell'elettrotensile può variare da quello dichiarato a seconda delle modalità d'uso. Il livello delle vibrazioni può aumentare oltre quello dichiarato.

Quando si valuta l'esposizione alle vibrazioni per determinare le misure di sicurezza richieste dalla normativa 2002/44/CE destinata alla protezione delle persone che utilizzano regolarmente elettrotensili per lo svolgimento delle proprie mansioni, è necessario prendere in considerazione le condizioni effettive di utilizzo e il modo in cui l'elettrotensile viene usato, oltre che tenere conto di tutte le componenti del ciclo operativo, vale a dire i periodi in

cui l'elettrotensile rimane spento, quelli in cui è acceso ma fermo e quelli in cui viene effettivamente utilizzato.

Etichette sull'elettrotensile

Sull'elettrotensile compaiono i seguenti pittogrammi, insieme al codice data.



Avvertenza! Prima dell'uso leggere il manuale.



Indossare occhiali di sicurezza quando si usa l'elettrotensile.



Indossare otoprotezioni idonee quando si usa l'elettrotensile.



Non esporre l'elettrotensile alla pioggia o a un'umidità intensa e non lasciarlo all'aperto quando piove.



Scollegare la spina dalla presa di corrente prima di eseguire la pulitura o la manutenzione.



Scollegare la spina dalla presa di corrente se il cavo di alimentazione ha subito danni o è attorcigliato.



Fare attenzione agli oggetti lanciati in aria.



Mantenere le persone presenti a debita distanza.



Livello di pressione acustica garantito ai sensi della Direttiva 2000/14/CE.

Caratteristiche

Questo elettrotensile presenta alcune o tutte le seguenti caratteristiche.

1. Interruttore di accensione/spegnimento - controllo della velocità
2. Impugnatura anteriore

3. Impugnatura posteriore
4. Corpo motore
5. Tubo di aspirazione - sezione superiore
6. Tubo di aspirazione- sezione inferiore
7. Tubo di soffiaggio - sezione superiore
8. Tubo di soffiaggio - sezione inferiore
9. Sacco di raccolta
10. Connettore del sacco di raccolta

Utilizzo dell'elettrotensile

Avvertenza! Indossare sempre occhiali di protezione quando si usa l'elettrotensile come soffiatore o aspiratore. In caso di impiego in ambienti polverosi, indossare anche una maschera.

Avvertenza! Spegner l'apparecchio, lasciare che la ventola si fermi e scollegare la spina dalla presa di corrente prima di eseguire regolazioni o interventi di manutenzione o riparazione.

Assemblaggio



Avvertenza! Prima di montare l'elettrotensile assicurarsi che l'elettrotensile sia spento e disinserito.



Avvertenza! Indossare sempre guanti protettivi quando si lavora sul soffiatore/aspiratore.

Assemblaggio del tubo di aspirazione (Fig. A)

Le due sezioni del tubo di aspirazione devono essere unite prima dell'uso.

Avvertenza! Non far funzionare l'elettrotensile con i tubi di aspirazione separati.

- ◆ Per facilitare l'assemblaggio, inumidire con acqua insaponata l'area di giunzione.
- ◆ Allineare le tacche (5a) e i triangoli (6a) sulle sezioni del tubo di aspirazione superiore (5) e inferiore (6).
- ◆ Premere con forza la sezione inferiore del tubo di aspirazione (6) su quella superiore (5) fino a quando le linguette si agganciano in sede.

Avvertenza! Non dividere le due sezioni del tubo dopo averle assemblate.

Modalità di aspirazione (Figg. B, C, D, E, F, G, H, I, J, K, L, M)

- ◆ Ruotare la protezione della ventola in senso antiorario, come illustrato nella Fig. B.
- ◆ Inserire la barra (14) (in dotazione) nel foro di sgancio della protezione della ventola (13) e spingere in su per sganciare la protezione della ventola (12), come illustrato nella Figura C.
- ◆ Rimuovere la protezione della ventola (12) lasciandola cadere in avanti, come illustrato nella Figura D.
- ◆ Inserire il tubo di aspirazione assemblato (5) nell'apposito attacco sul corpo motore (4), come mostrato nella figura E.

- ◆ Ruotare il tubo di aspirazione in senso orario in modo che il connettore a baionetta si blocchi in posizione, come illustrato nella Figura E.
- ◆ Inserire il connettore del sacco di raccolta (10) nell'attacco sul corpo motore (10a) come mostrato nella Figura F.
- ◆ Infilare la tracolla del sacco di raccolta (10) sopra la spalla (Fig. G) per sostenere meglio il peso supplementare del sacco man mano che si riempie.
- ◆ Tenere il tubo di aspirazione appena sopra i detriti/fogliame. Accendere l'elettrotensile premendo l'interruttore di accensione/spegnimento (1) (inserto Fig. H) e procedere con un movimento largo; i detriti/le foglie saranno aspirati dal tubo e convogliati nel sacco di raccolta (10) (Fig. H).
- ◆ Quando il sacco di raccolta si riempie, la potenza aspirante diminuisce. Spegner l'elettrotensile e scollegarlo dalla rete di alimentazione.
- ◆ Sganciare il fermo (10a) sul sacco di raccolta a zaino (Fig. I).
- ◆ Distendere l'apertura del sacco di raccolta a zaino (Fig. J).
- ◆ Aprire il sacco di raccolta a zaino (Fig K) e svuotarlo.
- ◆ Per sigillare il sacco di raccolta, unire insieme le barre flessibili e arrotolarle 2-3 volte (Fig L).
- ◆ Chiudere la fibbia (10a), come illustrato nella Figura M.

Avvertenza! Non rimuovere mai il sacco di raccolta senza aver prima spento l'elettrotensile e senza aver scollegato la spina.

Nota: se la forza aspirante diminuisce e il sacco di raccolta non è pieno, è possibile che il tubo di aspirazione sia ostruito da detriti. Spegner l'aspiratore, scollegare la spina ed eliminare l'intasamento dal tubo prima di continuare.

- ◆ Al termine del lavoro ruotare il tubo di aspirazione assemblato in senso antiorario per sganciare il connettore a baionetta. Inserire la barra (14) nel foro di sgancio della protezione della ventola (13) e spingere in su per sganciare il tubo di aspirazione assemblato. Rimuovere il tubo di aspirazione assemblato dal corpo motore, come illustrato nella Figura N.
- ◆ Riposizionare la protezione della ventola, come illustrato nella Figura O.
- ◆ Ruotare la protezione della ventola in senso orario, come illustrato nella Figura P.

Modalità di soffiaggio (Figg. Q, R, S, T)

- ◆ Assemblare la sezione superiore (7) e la sezione inferiore (8) del tubo di soffiaggio e il concentratore opzionale (9), come illustrato nella Figura Q.
- ◆ Calzare il tubo di soffiaggio assemblato sullo scarico dell'aspiratore (10a) fino a quando la chiusura si innesta saldamente nel tubo di soffiaggio, come illustrato nella Figura R.

Avvertenza! Non attivare la modalità di soffiaggio senza aver montato saldamente il tubo di soffiaggio.

- ◆ Tenere il tubo di soffiaggio a 180 mm circa dal terreno, accendere l'elettrotensile e, con un movimento ampio da un lato all'altro, procedere lentamente tenendo i detriti/ fogliame raccolti di fronte a sé (Fig. S).
- ◆ Dopo avere soffiato detriti e foglie formando un mucchio è possibile rimuovere il tubo di soffiaggio completo inserendo la barra (14) nell'apposito foro sul corpo macchina e spingendo in giù per sganciare il blocco, come illustrato nella Figura T.
- ◆ A questo punto è possibile passare alla modalità di aspirazione e raccogliere i detriti.

Ricerca e risoluzione guasti

Problema	Possibile soluzione
Mancato funzionamento	Controllare il collegamento all'alimentazione elettrica.
	Controllare il fusibile nella spina; se è bruciato, sostituirlo (solo UK).
	Controllare che il tubo di soffiaggio/aspirazione sia montato correttamente sul corpo motore.
	Se il fusibile continua a bruciarsi, scollegare immediatamente l'elettrotensile dall'alimentazione di rete e consultare il tecnico riparatore autorizzato BLACK+DECKER di zona.
Aspirazione scadente/ suono acuto	Spegner e scollegare dall'alimentazione di rete, i detriti dovrebbero cadere fuori dal tubo.
	Staccare e svuotare il sacco di raccolta.
	Controllare che sia i fori di aspirazione sia di scarico del tubo di aspirazione siano liberi.
	Eliminare ogni detrito dalla zona della ventola.
	Se l'aspirazione continua a essere scadente, scollegare immediatamente l'elettrotensile dalla rete di alimentazione e consultare il tecnico autorizzato BLACK+DECKER di zona.

Manutenzione

L'elettrotensile BLACK+DECKER è stato concepito per funzionare per un lungo periodo con un minimo di manutenzione.

Per prestazioni sempre soddisfacenti sono necessarie una cura appropriata e una pulizia regolare dell'elettrotensile.

- ◆ Mantenere pulito e asciutto l'elettrotensile.
- ◆ Eliminare le foglie bloccate all'interno del tubo di aspirazione.
- ◆ Pulire regolarmente le feritoie di ventilazione con un pennello pulito e asciutto.
- ◆ Pulire regolarmente il sacco di raccolta della polvere e controllare che sia pulito e vuoto dopo ciascun impiego.

- ◆ Per pulire l'elettrotensile, usare solo sapone neutro e un panno umido. Evitare la penetrazione di liquidi all'interno dell'elettrotensile e non immergere mai nessuna parte dello stesso in un liquido. Non usare materiali abrasivi o detergenti a base di solventi.
- ◆ In questo elettrotensile sono stati usati dei cuscinetti autolubrificanti che non richiedono lubrificazione.

Sostituzione della spina (solo Regno Unito e Irlanda)

Se dovesse essere necessario installare una nuova spina:

- ◆ smaltire in sicurezza quella vecchia;
- ◆ collegare il filo marrone al morsetto sotto tensione della nuova spina;
- ◆ collegare il filo blu al morsetto neutro.

Avvertenza! Non deve essere effettuato alcun collegamento al terminale di messa a terra.

Seguire le istruzioni di montaggio fornite con le spine di buona qualità.

Fusibile raccomandato: 13 A.

Protezione dell'ambiente



Raccolta differenziata. I prodotti e le batterie contrassegnati con questo simbolo non devono essere smaltiti con i rifiuti domestici normali.

Prodotti e batterie contengono materiali che possono essere recuperati o riciclati, riducendo la richiesta di materie prime. Riciclare i prodotti elettrici e le batterie attenendosi alle disposizioni locali vigenti. Ulteriori informazioni sono disponibili all'indirizzo www.2helpU.com.

Dati tecnici

		BEBLV230
Tensione in ingresso	V_{CA}	230
Potenza assorbita	W	2300
Capacità	L	55
Peso (soffiatore)	kg	3,6
Peso (aspiratore)	kg	4,4

Livello di pressione sonora misurato in base alla norma EN 50636-2-100

Pressione sonora nella posizione dell'utilizzatore: (L_{pA}) 90,0 dB(A), incertezza (K) 1,2 dB(A)

Potenza acustica (L_{WA}) 102,5 dB(A), incertezza (K) 1,1 dB(A)

Valori totali di vibrazione (somma vettoriale triassiale) in base alla norma EN 50636-2-100

Vibrazione (a_w) 2,5 m/s^2 , incertezza (K) 1,5 m/s^2

Dichiarazione di conformità CEDIRETTIVA MACCHINE
DIRETTIVA SULLA RUMOROSITÀ ESTERNA

BEBLV230 - Soffiatore/aspiratore

Black & Decker dichiara che i prodotti descritti al capitolo "Dati

tecnici" sono conformi alle seguenti norme::

2006/42/CE, EN 60335-1:2012 + A11:2014 + A13:2017 +
A1:2019 + A14:2019 + A2:2019;
EN50636-2-100:2014

2000/14/CE, Soffiatore aspiratore, Allegato V

DEKRA Certification B.V. Meander 1051 / P.O. Box 5185
6825 MJ ARNHEM / 6802 ED ARNHEM, Netherlands
Notified Body ID No.: 0344Livello di potenza acustica misurato in base a 2000/14/CE
(Articolo 13, Allegato III):

Livello di potenza sonora: LwA: 102,5 dB(A); K=1,1 dB(A)

Garanzia livello di potenza sonora garantita: LwA: 104 dB(A)

Questi prodotti sono conformi alle Direttive 2014/30/UE e
2011/65/UE. Per maggiori informazioni contattare Black &
Decker al seguente indirizzo oppure consultare l'ultima di
copertina del manuale.Il firmatario è responsabile della compilazione del documento
tecnico e rende questa dichiarazione per conto di

Black & Decker.

Patrick Diepenbach
General Manager, Benelux
Black and Decker,
Egide Walschaertsstraat 14-18
2800 Mechelen, Belgium
06/07/2021**Garanzia**Black & Decker è certa della qualità dei propri prodotti e offre
ai consumatori una garanzia di 24 mesi dalla data di acquisto.Il presente certificato di garanzia è complementare ai diritti
legali e non li pregiudica in alcun modo. La garanzia è valida
nei territori degli Stati membri dell'Unione Europea o dell'EFTA
(Associazione europea di libero scambio).Per attivare la garanzia, il reclamo deve essere effettuato
in accordo con i Termini e Condizioni Black&Decker e sarà
necessario presentare la prova di acquisto al venditore o
all'agente di riparazione autorizzato.I Termini e condizioni della garanzia Black&Decker di 2 anni
e la sede del tecnico riparatore autorizzato più vicino sono
consultabili su Internet all'indirizzo www.2helpU.com, o
contattando l'ufficio Black&Decker di zona all'indirizzo postale

indicato in questo manuale.

Visitare il nostro sito www.blackanddecker.it per registrare
il prodotto Black&Decker appena acquistato e ricevere gli
aggiornamenti su nuovi prodotti e offerte speciali.

België/Belgique/Luxembourg www.blackanddecker.be enduser.be@sbdinc.com	Stanley Black & Decker Belgium BVBA Egide Walschaertsstraat 16 2800 Mechelen	Tel. NL +32 15 47 37 65 Tel. FR +32 15 47 37 66 Fax. +32 15 47 37 99
Danmark	Black & Decker Roskildevej 22 2620 Albertslund	kundeservice.dk@sbdinc.com www.blackanddecker.dk
Deutschland www.blackanddecker.de infobfge@sdbinc.com	Stanley Black & Decker Deutschland GmbH Black & Decker Str. 40, D - 65510 Idstein	Tel. 06126 21-0 Fax 06126 21-2980
Ελλάδα www.blackanddecker.gr greece.service@sbdinc.com	Stanley Black & Decker (ΕΛΛΑΣ) Ε.Π.Ε ΓΡΑΦΕΙΑ: Σπυρίδωνος 7 & Βουλιαγμένης 166 74 Γλυφάδα - Αθήνα	Τηλ. 210-8981616 Φαξ 210-8983570
SERVICE:	Ημερος Τόπος 2 -Χάνι Αδάμ 193 00 Ασπρόπυργος - Αθήνα	Τηλ. Service 210-8985208 Φαξ 210-5597598
España www.blackanddecker.es respuesta.posventa@sbdinc.com	Stanley Black & Decker Ibérica, S.C.A. Parc de Negocis "Mas Blau" Edificio Muntadas, c/Bergadà, 1, Of. A6 08820 El Prat de Llobregat (Barcelona)	Tel. 934 797 400 Fax 934 797 419
France www.blackanddecker.fr	Black & Decker (France) S.A.S. 5 allée des Hêtres B.P. 30084 69579 Limonest Cédex	Tel. 04 72 20 39 20 Fax 04 72 20 39 00
Helvetia www.blackanddecker.ch service@rofoag.ch	ROFO AG Gewerbezone Seeblick 3213 Kleinbösingen	Tel. 026-6749393 Fax 026-6749394
Italia www.blackanddecker.it service.italia@sbdinc.com	Stanley Black & Decker Italia Via Energypark 6 20871 Vimercate (MB)	Tel. 039-9590200 Fax 039-9590313 Numero verde 800-213935
Nederland www.blackanddecker.nl enduser.nl@sbdinc.com	Stanley Black & Decker Netherlands BV Holtum Noordweg 35, 6121 RE BORN Postbus 83, 6120 AB BORN	Tel. +31 164 283 065 Fax +31 164 283 200
Norge	Black & Decker Postboks 4613, Nydalen 0405 Oslo	kundeservice.no@sbdinc.com www.blackanddecker.no
Österreich www.blackanddecker.at service.austria@sbdinc.com	Stanley Black & Decker Austria GmbH Oberlaaerstraße 248, A-1230 Wien	Tel. 01 66116-0 Fax 01 66116-614
Portugal www.blackanddecker.pt resposta.posvenda@sbdinc.com	Black & Decker Limited SARL Quinta da Fonte - Edifício Q55 D. Diniz Rua dos Malhões, 2 e 2A - Piso 2 Esquerdo 2770 - 071 Paço de Arcos	Tel. 214667500 Fax 214667580
Suomi	Black & Decker PL47 00521, Helsinki	asiakaspalvelu.fi@sbdinc.com www.blackanddecker.fi
Sverige	Black & Decker AB Box 94, 431 22 Mölndal	kundservice.se@sbdinc.com www.blackanddecker.se
Türkiye www.blackanddecker.com.tr	KALE Hırdavat ve Makina A.Ş. Defferdar Mah. Savaklar Cad. No:15 Edimekapı / Eyüp / İstanbul 34050	Tel. 0212 533 52 55 Fax. 0212 533 10 05
United Kingdom & Republic Of Ireland www.blackanddecker.co.uk emeaservice@sbdinc.com	Black & Decker 270 Bath Road Slough, Berkshire SL1 4DX	Tel. 01753 511234 Fax 01753 512365
Middle East & Africa www.blackanddecker.ae service.mea@sbdinc.com	Black & Decker P.O.Box - 17164 Jebel Ali Free Zone (South), Dubai, UAE	Tel. +971 4 8863030 Fax +971 4 8863333