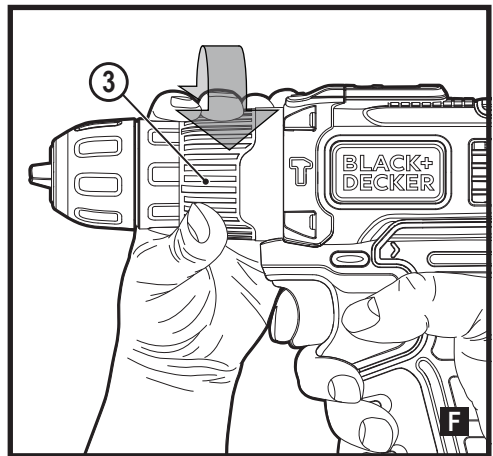
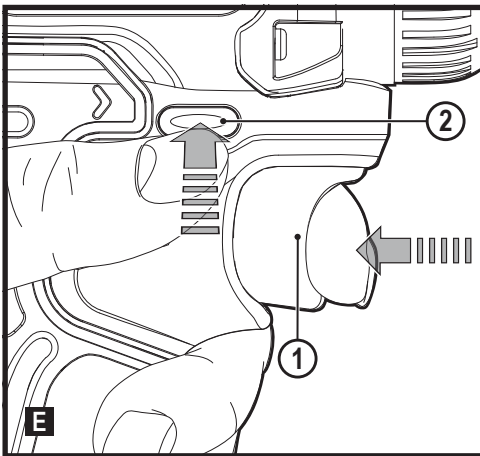
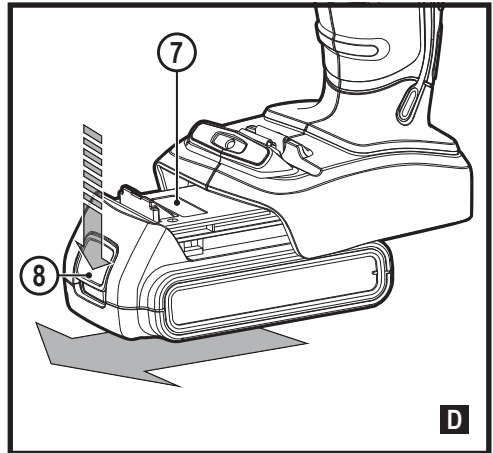
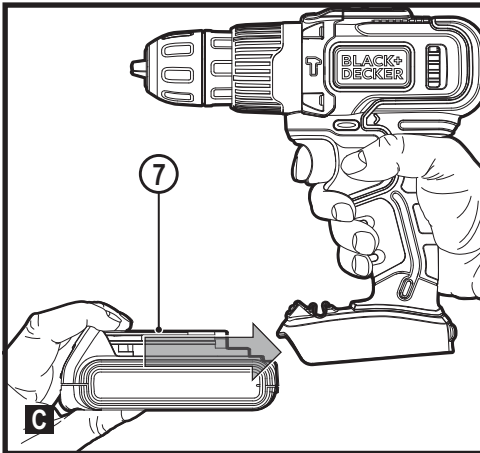
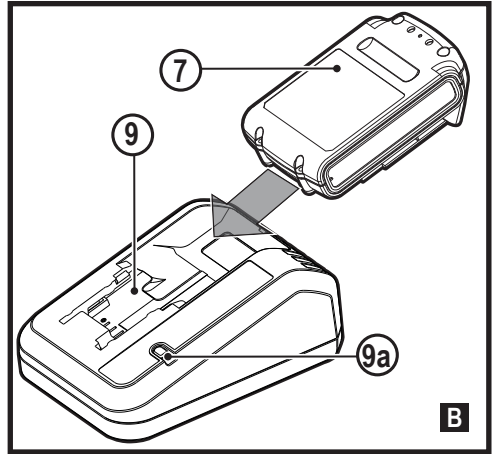
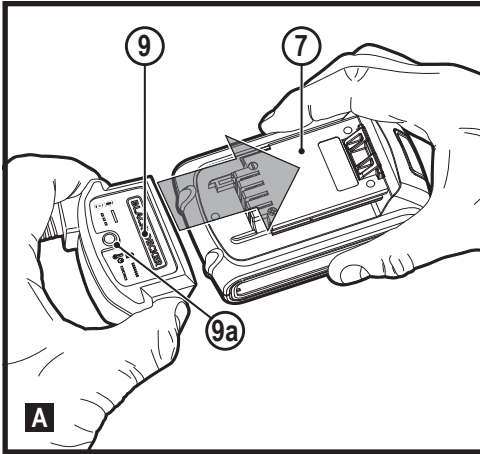
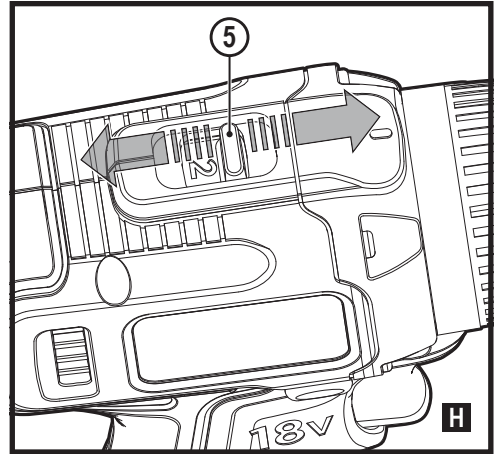
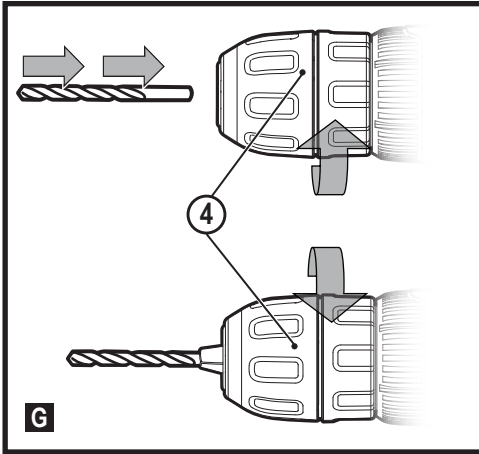


English	(Original instructions)	4
Čeština	(Přeloženo z původního návodu)	11
Deutsch	(Übersetzung der ursprünglichen Anweisungen)	19
Dansk	(Oversættelse af de oprindelige instruktioner)	27
Español	(Traducción de las instrucciones originales)	34
Ελληνικά	(Μετάφραση των πρωτότυπων οδηγιών)	42
Français	(Traduction des instructions initiales)	50
Suomi	(Alkuperäisten ohjeiden käännös)	59
Magyar	(Fordítás az eredeti kezelési utasítás alapján készült)	66
Hrvatski	(Prijevod izvornih uputa)	77
Italiano	(Traduzione del testo originale)	86
Nederlands	(Vertaling van de originele instructies)	94
Norsk	(Oversettelse av de opprinnelige instruksjonene)	102
Polski	(Tłumaczenie oryginalnej instrukcji)	108
Português	(Tradução das instruções originais)	117
Slovenčina	(Preložené z pôvodného návodu)	125
Slovenščina	(Prevod izvirnih navodil)	133
Svenska	(Översättning av originalanvisningarna)	140





## Intended use

Your BLACK+DECKER BDASB18 - Impact drill, has been designed for screwdriving applications and for drilling in wood, metal and masonry. This tool is intended for consumer use only.

## Safety instructions

### General power tool safety warnings



**WARNING** Read all safety warnings, instructions, illustrations and specifications provided with this power tool. Failure to follow the warnings and instructions listed below may result in electric shock, fire and/or serious injury.

### Save all warnings and instructions for future reference.

The term "power tool" in all of the warnings listed below refers to your mains operated (corded) power tool or battery operated (cordless) power tool.

#### 1. Work area safety

- a. **Keep work area clean and well lit.** Cluttered or dark areas invite accidents.
- b. **Do not operate power tools in explosive atmospheres, such as in the presence of flammable liquids, gases or dust.** Power tools create sparks which may ignite the dust or fumes.
- c. **Keep children and bystanders away while operating a power tool.** Distractions can cause you to lose control.

#### 2. Electrical safety

- a. **Power tool plugs must match the outlet. Never modify the plug in any way. Do not use any adapter plugs with earthed (grounded) power tools.**

Unmodified plugs and matching outlets will reduce risk of electric shock.

- b. **Avoid body contact with earthed or grounded surfaces such as pipes, radiators, ranges and refrigerators.** There is an increased risk of electric shock if your body is earthed or grounded.
  - c. **Do not expose power tools to rain or wet conditions.** Water entering a power tool will increase the risk of electric shock.
  - d. **Do not abuse the cord. Never use the cord for carrying, pulling or unplugging the power tool. Keep cord away from heat, oil, sharp edges or moving parts.** Damaged or entangled cords increase the risk of electric shock.
  - e. **When operating a power tool outdoors, use an extension cord suitable for outdoor use.** Use of a cord suitable for outdoor use reduces the risk of electric shock.
  - f. **If operating a power tool in a damp location is unavoidable, use a residual current device (RCD) protected supply.** Use of an RCD reduces the risk of electric shock.
- #### 3. Personal safety
- a. **Stay alert, watch what you are doing and use common sense when operating a power tool. Do not use a power tool while you are tired or under the influence of drugs, alcohol or medication.** A moment of inattention while operating power tools may result in serious personal injury.
  - b. **Use personal protective equipment. Always wear eye protection.** Protective equipment such as dust mask, non-skid safety shoes, hard hat, or hearing protection used for appropriate conditions will reduce personal injuries.



- c. **Prevent unintentional starting. Ensure the switch is in the off-position before connecting to power source and/or battery pack, picking up or carrying the tool.** Carrying power tools with your finger on the switch or energising power tools that have the switch on invites accidents.
  - d. **Remove any adjusting key or wrench before turning the power tool on.** A wrench or a key left attached to a rotating part of the power tool may result in personal injury.
  - e. **Do not overreach. Keep proper footing and balance at all times.** This enables better control of the power tool in unexpected situations.
  - f. **Dress properly. Do not wear loose clothing or jewellery. Keep your hair, clothing and gloves away from moving parts.** Loose clothes, jewellery or long hair can be caught in moving parts.
  - g. **If devices are provided for the connection of dust extraction and collection facilities, ensure these are connected and properly used.** Use of dust collection can reduce dust-related hazards.
  - h. **Do not let familiarity gained from frequent use of tools allow you to become complacent and ignore tool safety principles.** A careless action can cause severe injury within a fraction of a second.
- 4. Power tool use and care**
- a. **Do not force the power tool. Use the correct power tool for your application.** The correct power tool will do the job better and safer at the rate for which it was designed.
  - b. **Do not use the power tool if the switch does not turn it on and off.** Any power tool that cannot be controlled with the switch is dangerous and must be repaired.
  - c. **Disconnect the plug from the power source and/or the battery pack from the power tool before making any adjustments, changing accessories, or storing power tools.** Such preventive safety measures reduce the risk of starting the power tool accidentally.
  - d. **Store idle power tools out of the reach of children and do not allow persons unfamiliar with the power tool or these instructions to operate the power tool.** Power tools are dangerous in the hands of untrained users.
  - e. **Maintain power tools. Check for misalignment or binding of moving parts, breakage of parts and any other condition that may affect the power tools operation. If damaged, have the power tool repaired before use.** Many accidents are caused by poorly maintained power tools.
  - f. **Keep cutting tools sharp and clean.** Properly maintained cutting tools with sharp cutting edges are less likely to bind and are easier to control.
  - g. **Use the power tool, accessories and tool bits etc. in accordance with these instructions, taking into account the working conditions and the work to be performed.** Use of the power tool for operations different from those intended could result in a hazardous situation.
  - h. **Keep handles and grasping surfaces dry, clean and free from oil and grease.** Slippery handles and grasping surfaces do not allow for safe handling and control of the tool in unexpected situations.
- 5. Battery tool use and care**
- a. **Recharge only with the charger specified by the manufacturer.** A charger that is suitable for one type of battery pack may create a risk of fire when used with another battery pack.
  - b. **Use power tools only with specifically designated battery packs.** Use of any other battery packs may create a risk of injury and fire.
  - c. **When battery pack is not in use, keep it away from other metal objects, like paper clips, coins, keys, nails, screws, or other small metal objects, that can make a connection from one terminal to another.**  
Shorting the battery terminals together may cause burns or a fire.
  - d. **Under abusive conditions, liquid may be ejected from the battery; avoid contact. If contact accidentally occurs, flush with water. If liquid contacts eyes, additionally seek medical help.** Liquid ejected from the battery may cause irritation or burns.
  - e. **Do not use a battery pack or tool that is damaged or modified.** Damaged or modified batteries may exhibit unpredictable behaviour resulting in fire, explosion or risk of injury.
  - f. **Do not expose a battery pack or tool to fire or excessive temperature.** Exposure to fire or temperature above 130 °C may cause explosion.
- NOTE** The temperature „130 °C“ can be replaced by the temperature „265 °F“.
- g. **Follow all charging instructions and do not charge the battery pack or tool outside the temperature range specified in the instructions.** Charging improperly or at temperatures outside the specified range may damage the battery and increase the risk of fire.
- 6. Service**
- a. **Have your power tool serviced by a qualified repair person using only identical replacement parts.** This will ensure that the safety of the power tool is maintained.
  - b. **Never service damaged battery packs.** Service of battery packs should only be performed by the manufacturer or authorized service providers.

## Additional power tool safety warnings



**Warning!** Additional safety warnings for drills

- ◆ **Wear ear protectors when impact drilling.** Exposure to noise can cause hearing loss.
- ◆ **Use auxiliary handles supplied with the tool.** Loss of control can cause personal injury.
- ◆ **Brace the tool properly before use.** This tool produces a high output torque and without properly bracing the tool during operation, loss of control may occur resulting in personal injury.
- ◆ **Hold power tool by insulated gripping surfaces when performing an operation where the cutting accessory may contact hidden wiring.** Cutting accessory contacting a "live" wire may make exposed metal parts of the power tool "live" and could give the operator an electric shock.
- ◆ **Hold power tool by insulated gripping surfaces, when performing an operation where the fastener may contact hidden wiring.** Fasteners contacting a "live" wire may make exposed metal parts of the power tool "live" and could give the operator an electric shock.

## Safety instructions when using long drill bits

- ◆ **Never operate at higher speed than the maximum speed rating of the drill bit.** At higher speeds, the bit is likely to bend if allowed to rotate freely without contacting the workpiece, resulting in personal injury.
- ◆ **Always start drilling at low speed and with the bit tip in contact with the workpiece.** At higher speeds, the bit is likely to bend if allowed to rotate freely without contacting the workpiece, resulting in personal injury.
- ◆ **Apply pressure only in direct line with the bit and do not apply excessive pressure.** Bits can bend causing breakage or loss of control, resulting in personal injury.
- ◆ **Use clamps or another practical way to secure and support the workpiece to a stable platform.** Holding the work by hand or against your body leaves it unstable and may lead to loss of control.
- ◆ **Before drilling into walls, floors or ceilings, check for the location of wiring and pipes.**
- ◆ **Avoid touching the tip of a drill bit just after drilling, as it may be hot.**
- ◆ **The intended use is described in this instruction manual.** The use of any accessory or attachment or performance of any operation with this tool other than those recommended in this instruction manual may present a risk of personal injury and/or damage to property.

## Safety of others

- ◆ This tool is not intended for use by persons (including children) with reduced physical, sensory or mental capabilities, or lack of experience and knowledge, unless they have been given supervision or instruction concerning use of the tool by a person responsible for their safety.
- ◆ Children should be supervised to ensure that they do not play with the appliance.

## Residual risks

Additional residual risks may arise when using the tool which may not be included in the enclosed safety warnings. These risks can arise from misuse, prolonged use etc.

Even with the application of the relevant safety regulations and the implementation of safety devices, certain residual risks can not be avoided. These include:

- ◆ Injuries caused by touching any rotating/moving parts.
- ◆ Injuries caused when changing any parts, blades or accessories.
- ◆ Injuries caused by prolonged use of a tool. When using any tool for prolonged periods ensure you take regular breaks.
- ◆ Impairment of hearing.
- ◆ Health hazards caused by breathing dust developed when using your tool (example:- working with wood, especially oak, beech and MDF.)

## Vibration

The declared vibration emission values stated in the technical data and the declaration of conformity have been measured in accordance with a standard test method provided by EN 62841 and may be used for comparing one tool with another. The declared vibration emission value may also be used in a preliminary assessment of exposure.

**Warning!** The vibration emission value during actual use of the power tool can differ from the declared value depending on the ways in which the tool is used. The vibration level may increase above the level stated.

When assessing vibration exposure to determine safety measures required by 2002/44/EC to protect persons regularly using power tools in employment, an estimation of vibration exposure should consider, the actual conditions of use and the way the tool is used, including taking account of all parts of the operating cycle such as the times when the tool is switched off and when it is running idle in addition to the trigger time.

## Labels on tool

The following symbols are shown on the tool along with the date code:



**Warning!** To reduce the risk of injury, the user must read the instruction manual.



Wear ear protectors with impact drills.  
Exposure to noise can cause hearing loss.



Do not stare at operating lamp

## Additional safety instructions for batteries and chargers

### Batteries

- ◆ Never attempt to open for any reason.
- ◆ Do not expose the battery to water.
- ◆ Do not store in locations where the temperature may exceed 40 °C.
- ◆ Charge only at ambient temperatures between 10 °C and 40 °C.
- ◆ Charge only using the charger provided with the tool.
- ◆ When disposing of batteries, follow the instructions given in the section "Protecting the environment".



Do not attempt to charge damaged batteries.

### Chargers

- ◆ Use your BLACK+DECKER charger only to charge the battery supplied with the tool. Other batteries could burst, causing personal injury and damage.
- ◆ Never attempt to charge non-rechargeable batteries.
- ◆ Have defective cords replaced immediately.
- ◆ Do not expose the charger to water.
- ◆ Do not open the charger.
- ◆ Do not probe the charger.



The charger is intended for indoor use only.



Read the instruction manual before use.

### Electrical safety



Your charger is double insulated; therefore no earth wire is required. Always check that the mains voltage corresponds to the voltage on the rating plate. Never attempt to replace the charger unit with a regular mains plug.

- ◆ If the supply cord is damaged, it must be replaced by the manufacturer or an authorised BLACK+DECKER Service Centre in order to avoid a hazard.

## Features

This tool includes some or all of the following features.

1. Variable speed switch
2. Forward/reverse slider
3. Torque adjustment collar
4. Keyless chuck
5. Dual range gearing
6. LED work light
7. Battery
8. Battery release button

## Assembly

### Use

**Warning!** Let the tool work at its own pace. Do not overload.

### Charging the battery (fig. A1, A2)

The battery needs to be charged before first use and whenever it fails to produce sufficient power on jobs that were easily done before. The battery may become warm while charging; this is normal and does not indicate a problem.

**Warning!** Do not charge the battery at ambient temperatures below 10 °C or above 40 °C. Recommended charging temperature: approx. 24 °C.

**Note: The charger will not charge a battery if the cell temperature is below approximately 10 °C or above 40 °C.**

**The battery should be left in the charger and the charger will begin to charge automatically when the cell temperature warms up or cools down.**

- ◆ Plug the charger (9) into any standard 230 Volts 50 Hz electrical outlet.
- ◆ Slide the battery pack (7) into the charger as shown in fig. A1, A2.



The LED (9a) will flash indicating that the battery is being charged.



The completion of charge is indicated by the LED (9a) remaining on continuously. The pack is fully charged and may be used at this time or left on the charger.

**Warning!** fire Hazard. When removing the battery from the charger, be sure to unplug the charger from the outlet first, then remove the battery from the charger.

### Charger diagnostics

This charger is designed to detect certain problems that can arise with the battery packs or the power source. Problems are indicated by one LED flashing in different patterns.

## Bad battery



The charger can detect a weak or damaged battery. The LED flashes in the pattern indicated on the label. If you see this bad battery blink pattern, do not continue to charge the battery. Return it to a service center or a collection site for recycling.

## Hot/cold pack delay



When the charger detects a battery that is excessively hot or excessively cold, it automatically starts a Hot/Cold Pack Delay, suspending charging until the battery has normalized.

After this happens, the charger automatically switches to the Pack Charging mode. This feature ensures maximum battery life. The light flashes in the pattern indicated on the label.

## Leaving the battery in the charger

The charger and battery pack can be left connected with the LED glowing indefinitely. The charger will keep the battery pack fresh and fully charged. This charger features an automatic tune-up mode which equals or balances the individual cells in the battery pack to allow it to function at peak capacity. Battery packs should be tuned up weekly or whenever the battery no longer delivers the same amount of work. To use the automatic tune-up mode, place the battery pack in the charger and leave it for at least 8 hours.

## Important charging notes

- ◆ Longest life and best performance can be obtained if the battery pack is charged when the air temperature is between 18 ° – 24 °C. DO NOT charge the battery pack in an air temperature below +4.5 °C, or above +40 °C. This is important and will prevent serious damage to the battery pack.
- ◆ The charger and battery pack may become warm to the touch while charging. This is a normal condition, and does not indicate a problem. To facilitate the cooling of the battery pack after use, avoid placing the charger or battery pack in a warm environment such as in a metal shed or an uninsulated trailer.
- ◆ If the battery pack does not charge properly:
  - ◆ Check operation of receptacle by plugging in a lamp or other appliance;
  - ◆ Check to see if receptacle is connected to a light switch which turns power off when you turn out the lights;
  - ◆ Move the charger and battery pack to a location where the surrounding air temperature is approximately 18 ° – 24 °C;
  - ◆ If charging problems persist, take the tool, battery pack and charger to your local service center.
- ◆ The battery pack should be recharged when it fails to produce sufficient power on jobs which were easily done

previously. DO NOT CONTINUE to use under these conditions. Follow the charging procedure. You may also charge a partially used pack whenever you desire with no adverse effect on the battery pack.

- ◆ Foreign materials of a conductive nature such as, but not limited to, grinding dust, metal chips, steel wool, aluminum foil, or any buildup of metallic particles should be kept away from charger cavities. Unplug the charger before attempting to clean.
- ◆ Do not freeze or immerse the charger in water or any other liquid.

## Installing and removing the battery pack from the tool (fig. B)

**Warning!** Make certain the lock-off button (2) is engaged to prevent switch actuation before removing or installing battery.

To install battery pack:

- ◆ Insert battery pack (7) into tool, until an audible click is heard (fig. B)

## Removing the battery pack from the tool (fig. C)

- ◆ Depress the battery release button (8) as shown in (fig. C) and pull battery pack out of tool.

## Operating Instructions

### Trigger switch & reversing button (fig. D)

- ◆ The drill is turned ON and OFF by pulling and releasing the trigger switch (1). The farther the trigger is depressed, the higher the speed of the drill.
- ◆ A forward/reverse control button (2) determines the direction of the tool and also serves as a lock off button.
- ◆ To select forward rotation, release the trigger switch and depress the forward/reverse control button to the left.
- ◆ To select reverse, depress the forward/reverse control button the opposite direction.

**Note:** The center position of the control button locks the tool in the off position. When changing the position of the control button, be sure the trigger is released.

### Torque control (fig.E)

This tool is fitted with a torque adjustment collar (3) to select the operating mode and to set the torque for tightening screws. Large screws and hard workpiece materials require a higher torque setting than small screws and soft workpiece materials.

- ◆ For drilling in wood, metal and plastics, set the collar to the drilling position symbol

- ◆ For screwdriving, set the collar to the desired setting. If you do not yet know the appropriate setting, proceed as follows:
- ◆ Set the collar to the lowest torque setting.
- ◆ Tighten the first screw.
- ◆ If the clutch ratchets before the desired result is achieved, increase the collar setting and continue tightening the screw. Repeat until you reach the correct setting. Use this setting for the remaining screws.

### Keyless chuck (fig. F)

**Warning!** Make certain the lock-off button (2) is engaged to prevent switch actuation before installing or removing accessories.

To insert a drill bit or other accessory:

- ◆ Grasp the rear half of the chuck (4) with one hand and use your other hand to rotate the front half in the counterclockwise direction, as viewed from the chuck end.
- ◆ Insert the bit or other accessory fully into the chuck, and tighten securely by holding the rear half of the chuck and rotating the front portion in the clockwise direction as viewed from the chuck end.

**Warning!** Do not attempt to tighten drill bits (or any other accessory) by gripping the front part of the chuck and turning the tool on. Damage to the chuck and personal injury may occur when changing accessories.

### Dual range gearing (Figure G)

The dual range feature of your drill allows you to shift gears for greater versatility. To select low speed, high torque setting (position 1), turn tool off and permit to stop. Slide gear shifter button (5) away from the chuck. To select the high speed, low torque setting (position 2), turn tool off and permit to stop.

Slide gear shifter button towards the chuck.

**Note:** Do not change gears when tool is running. If you are having trouble changing gears, make sure that the dual range gear button is either completely pushed forward or completely pushed back.

### Drilling/screwdriving

- ◆ Select forward or reverse rotation using the forward/reverse slider (2).
- ◆ To switch the tool on, press the switch (1). The tool speed depends on how far you press the switch.
- ◆ To switch the tool off, release the switch.

### Hints for optimum use

#### Drilling

- ◆ Use sharp drill bits only.

- ◆ Support and secure work properly, as instructed in the Safety Instructions.
- ◆ Use appropriate and required safety equipment, as instructed in the Safety Instructions.
- ◆ Secure and maintain work area, as instructed in the Safety Instructions.
- ◆ Run the drill very slowly, using light pressure, until the hole is started enough to keep the drill bit from slipping out of it.
- ◆ Apply pressure in a straight line with the bit. Use enough pressure to keep the bit biting but not so much as to stall the motor or deflect the bit.
- ◆ Hold the drill firmly with two hands to control its twisting action.
- ◆ DO NOT CLICK THE TRIGGER OF A STALLED DRILL OFF AND ON IN AN ATTEMPT TO START IT. DAMAGE TO THE DRILL CAN RESULT.
- ◆ Minimize stalling on breakthrough by reducing pressure and slowly drilling through the last part of the hole.
- ◆ Keep the motor running while pulling the bit out of a drilled hole. This will help reduce jamming.
- ◆ Make sure switch turns drill on and off.

### Drilling in wood

Holes in wood can be made with the same twist drill bits used for metal or with spade bits. These bits should be sharp and should be pulled out frequently when drilling to clear chips from the flutes.

### Drilling in metal

Use a cutting lubricant when drilling metals. The exceptions are cast iron and brass which should be drilled dry. The cutting lubricants that work best are sulfurized cutting oil or lard oil.

### Drilling in masonry

For drilling in masonry, set the collar (3) to the hammer drilling position by aligning the symbol with the marking. Slide the speed selector (5) towards the front of the tool (2nd gear).

### Screwdriving

- ◆ Always use the correct type and size of screwdriver bit.
- ◆ If screws are difficult to tighten, try applying a small amount of washing liquid or soap as a lubricant.
- ◆ Always hold the tool and screwdriver bit in a straight line with the screw

### Troubleshooting

Problem	Possible cause	Possible solution
Unit will not start.	Battery pack not charged.	Check battery pack charging requirements

Battery pack will not charge.	Charger not plugged in.	Plug charger into a working outlet.
	Surrounding air temperature too hot or too cold.	Move charger and battery pack to a surrounding air temperature of above 40 degrees F (45 °C) or below 105 degrees F (+40.5 °C)
Unit shuts off abruptly.	Battery pack has reached its maximum thermal limit.	Allow battery pack to cool down.
	Out of charge. (To maximize the life of the battery pack it is designed to shutoff abruptly when the charge is depleted)	Place on charger and allow to charge.

**Maintenance**

Your BLACK+DECKER tool has been designed to operate over a long period of time with a minimum of maintenance. Continuous satisfactory operation depends upon proper tool care and regular cleaning.

Your charger does not require any maintenance apart from regular cleaning.

**Warning!** Before performing any maintenance on the tool, remove the battery from the tool. Unplug the charger before cleaning it.

- ◆ Regularly clean the ventilation slots in your tool and charger using a soft brush or dry cloth.
- ◆ Regularly clean the motor housing using a damp cloth. Do not use any abrasive or solvent-based cleaner.
- ◆ Regularly open the chuck and tap it to remove any dust from the interior.

**Protecting the environment**



Separate collection. Products and batteries marked with this symbol must not be disposed of with normal household waste.

Products and batteries contain materials that can be recovered or recycled, reducing demand for raw materials. Please recycle electrical products and batteries according to local provisions.

Further information is available at [www.2helpU.com](http://www.2helpU.com)

**Technical data**

		<b>BDASB18</b>
<b>Voltage</b>	V <sub>DC</sub>	18
<b>No-load speed</b>	Min <sup>-1</sup>	0 - 360/0 - 1400
<b>Max. torque</b>	Nm	45
<b>Chuck capacity</b>	mm	1-10
<b>Max Drilling capacity</b>		
<b>Steel/wood/Masonry</b>	mm	10/25/10

<b>Weight</b>	kg	0.9 (with battery 1.3)
---------------	----	------------------------

<b>Charger</b>			
<b>Input voltage</b>	V <sub>AC</sub>	230	230
<b>Output voltage</b>	V <sub>DC</sub>	18	18
<b>Current</b>	mA	200	400
<b>Approx. charge time</b>	Hours	8	3 - 5

<b>Battery</b>		<b>BL1518</b>
<b>Voltage</b>	V <sub>AC</sub>	18
<b>Capacity</b>	Ah	1.5
<b>Type</b>		Li-Ion

<b>Level of sound pressure according to EN 62841:</b>	
Sound pressure (L <sub>pa</sub> )	87.5 dB(A), uncertainty (K) 5 dB(A)
Sound power (L <sub>wa</sub> )	98.5 dB(A), uncertainty (K) 5 dB(A)

<b>Vibration total values (triax vector sum) according to EN 62841:</b>	
Drilling into concrete (a <sub>h,d</sub> )	14.2 m/s <sup>2</sup> , uncertainty (K) 1.5 m/s <sup>2</sup>
Drilling into metal (a <sub>h,d</sub> )	1.1 m/s <sup>2</sup> , uncertainty (K) 1.5 m/s <sup>2</sup>

**EC declaration of conformity**

MACHINERY DIRECTIVE



BDASB18 - Impact drill

Black & Decker declares that these products described under "technical data" are in compliance with: 2006/42/EC, EN62841-1:2015 EN62841-2-1:2018+A11:2019.

These products also comply with Directive 2014/30/EU and 2011/65/EU. For more information, please contact Black & Decker at the following address or refer to the back of the manual.

The undersigned is responsible for compilation of the technical file and makes this declaration on behalf of Black & Decker.

Ed Higgins

Director – Consumer Power Tools  
 Black & Decker Europe, 270 Bath Road, Slough,  
 Berkshire, SL1 4DX  
 United Kingdom  
 29/11/2019

## Guarantee

Black & Decker is confident of the quality of its products and offers consumers a 24 month guarantee from the date of purchase. This guarantee is in addition to and in no way prejudices your statutory rights. The guarantee is valid within the territories of the Member States of the European Union and the European Free Trade Area.

To claim on the guarantee, the claim must be in accordance with Black & Decker Terms and Conditions and you will need to submit proof of purchase to the seller or an authorised repair agent.

Terms and conditions of the Black & Decker 2 year guarantee and the location of your nearest authorised repair agent can be obtained on the Internet at [www.2helpU.com](http://www.2helpU.com), or by contacting your local Black & Decker office at the address indicated in this manual.

Please visit our website [www.blackanddecker.co.uk](http://www.blackanddecker.co.uk) to register your new Black & Decker product and receive updates on new products and special offers.

## ČESKY

(Překlad originálního návodu)

## Použití výrobku

Vaše příklepová vrtačka BLACK+DECKER BDASB18 je určena pro šroubování a pro vrtání do dřeva, kovu a zdiva. Toto nářadí je určeno pouze pro spotřebitelské použití.

## Bezpečnostní pokyny

### Všeobecné bezpečnostní pokyny pro práci s elektrickým nářadím



**VAROVÁNÍ** Přečtete si všechna bezpečnostní varování, pokyny, ilustrace a technické údaje dodané s tímto elektrickým nářadím.

Nedodržení níže uvedených varování a pokynů může vést k způsobení úrazu elektrickým proudem, k vzniku požáru nebo k vážnému zranění.

**Veškerá bezpečnostní varování a pokyny uschovejte pro budoucí použití.** Termín „elektrické nářadí“ ve všech upozorněních odkazuje na vaše nářadí napájené ze sítě (je opatřeno napájecím kabelem) nebo nářadí napájené baterií (bez napájecího kabelu).

#### 1. Bezpečnost v pracovním prostoru

- a. **Udržujte pracovní prostor čistý a dobře osvětlený.** Přeplněný a neosvětlený pracovní prostor může vést k způsobení úrazů.

- b. **Neppracujte s elektrickým nářadím ve výbušném prostředí, jako jsou například prostory s výskytém hořlavých kapalin, plynů nebo prašných látek.** V elektrickém nářadí dochází k jiskření, které může způsobit vznícení hořlavého prachu nebo výparů.
- c. **Při práci s elektrickým nářadím zajistěte bezpečnou vzdálenost dětí a ostatních osob.** Rozptylování může způsobit ztrátu kontroly nad nářadím.

#### 2. Elektrická bezpečnost

- a. **Zástrčka napájecího kabelu nářadí musí odpovídat zásuvce. Zástrčku nikdy žádným způsobem neupravujte. Nepoužívejte u uzemněného elektrického nářadí žádné upravené zástrčky.** Neupravované zástrčky a odpovídající zásuvky snižují riziko způsobení úrazu elektrickým proudem.
- b. **Nedotýkejte se uzemněných povrchů, jako jsou například potrubí, radiátory, elektrické sporáky a chladničky.** Při uzemnění vašeho těla vzrůstá riziko úrazu elektrickým proudem.
- c. **Nevystavujte elektrické nářadí dešti nebo vlhkému prostředí.** Vnikne-li do elektrického nářadí voda, zvýší se riziko úrazu elektrickým proudem.
- d. **S napájecím kabelem zacházejte opatrně. Nikdy nepoužívejte napájecí kabel k přenášení nebo posouvání nářadí a netahujte za něj, chcete-li nářadí odpojit od elektrické sítě. Zabraňte kontaktu kabelu s mastnými, horkými a ostrými předměty nebo pohyblivými částmi.** Poškozený nebo zauzlený napájecí kabel zvyšuje riziko úrazu elektrickým proudem.
- e. **Při práci s nářadím venku používejte prodlužovací kabely určené pro venkovní použití.** Práce s kabelem pro venkovní použití snižuje riziko úrazu elektrickým proudem.
- f. **Musíte-li s elektrickým nářadím pracovat ve vlhkém prostředí, použijte napájecí zdroj s proudovým chráničem (RCD). Použití proudového chrániče (RCD) snižuje riziko úrazu elektrickým proudem.**

#### 3. Bezpečnost osob

- a. **Při použití elektrického nářadí zůstaňte stále pozorní, sledujte, co provádíte a pracujte s rozvahou. Nepoužívejte elektrické nářadí, jste-li unaveni nebo jste-li pod vlivem drog, alkoholu nebo léků.** Chvilka nepozornosti při práci s elektrickým nářadím může vést k vážnému zranění.
- b. **Používejte prvky osobní ochrany. Vždy používejte ochranu zraku.** Ochranné prostředky jako respirátor, neklouzavá pracovní obuv, přilba a chrániče sluchu, používané v příslušných podmínkách, snižují riziko poranění osob.



- c. **Zabraňte náhodnému spuštění nářadí. Před připojením zdroje napětí nebo před vložením baterie a před zvednutím nebo přenášením nářadí zkontrolujte, zda je spínač v poloze vypnuto.** Přenášení elektrického nářadí s prstem na spínači nebo připojení nářadí k napájecímu zdroji, je-li spínač nářadí v poloze zapnuto, může způsobit úraz.
- d. **Před spuštěním z nářadí vždy odstraňte všechny klíče nebo seřizovací přípravky.** Seřizovací klíče ponechané na nářadí mohou být zachyceny rotujícími částmi nářadí a mohou způsobit úraz.
- e. **Nepřekávejte sami sobě. Při práci vždy udržujte vhodný postoj a rovnováhu.** Tak je umožněna lepší ovladatelnost nářadí v neočekávaných situacích.
- f. **Vhodně se oblékejte. Nenoste volný oděv nebo šperky.** Dbejte na to, aby se vaše vlasy, oděv a rukavice nedostaly do kontaktu s pohyblivými částmi. Volný oděv, šperky nebo dlouhé vlasy mohou být pohyblivými díly zachyceny.
- g. **Jsou-li zařízení vybavena adaptérem pro připojení příslušenství k zachytávání prachu, zajistěte jeho správné připojení a řádnou funkci.** Použití těchto zařízení může snížit nebezpečí týkající se prachu.
- h. **Nedovolte, aby vám znalosti získané při častém používání nástrojů umožňovaly stěžovat si a ignorovat zásady bezpečnosti nástrojů.** Neopatrná akce může způsobit vážné zranění během zlomku sekundy.
4. **Použití elektrického nářadí a jeho údržba**
- a. **Nepřetěžujte elektrické nářadí. Používejte pro prováděnou práci správný typ nářadí.** Při použití správného typu nářadí bude práce provedena lépe a bezpečněji.
- b. **Pokud nelze spínač nářadí zapnout a vypnout, s nářadím nepracujte.** Každé elektrické nářadí s nefunkčním spínačem je nebezpečné a musí být opraveno.
- c. **Před seřizováním nářadí, před výměnou příslušenství, nebo pokud nářadí nepoužíváte, odpojte zástrčku napájecího kabelu od zásuvky nebo z nářadí vyjměte baterii.** Tato preventivní bezpečnostní opatření snižují riziko náhodného spuštění nářadí.
- d. **Uložte elektrické nářadí mimo dosah dětí a nedovolte ostatním osobám, které toto nářadí neumí ovládat nebo které neznají tyto bezpečnostní pokyny, aby s tímto elektrickým nářadím pracovaly.** Elektrické nářadí je v rukou nekalifikované osoby nebezpečné.
- e. **Provádějte údržbu elektrického nářadí. Zkontrolujte vychýlení nebo zablokování pohyblivých částí, poškození jednotlivých dílů a jiné okolnosti, které mohou ovlivnit chod nářadí.**
- Pokud je nářadí poškozeno, nechejte jej opravit.** Mnoho nehod bývá způsobeno zanedbanou údržbou nářadí.
- f. **Udržujte řezné nástroje ostré a čisté.** Řádně udržované řezné nástroje s ostrými řeznými brýty jsou méně náchylné k zablokování a lépe se s nimi pracuje.
- g. **Používejte toto elektrické nářadí, příslušenství a pracovní nástroje podle těchto pokynů a berte v úvahu provozní podmínky a práci, která bude prováděna.** Použití elektrického nářadí k jiným účelům, než k jakým je určeno, může být nebezpečné.
- h. **Udržujte kliky a uchopovací plochy suché, čisté a bez oleje a mastnoty.** Kluzké rukojeti a uchopovací plochy neumožňují bezpečné zachycení a ovládání nástroje v neočekávaných situacích.
5. **Použití nářadí napájeného baterií a jeho údržba**
- a. **Nabíjejte pouze v nabíječce určené výrobcem.** Nabíječka vhodná pro jeden typ baterie může při vložení jiného nevhodného typu způsobit požár.
- b. **Používejte elektrické nářadí výhradně s bateriemi, které jsou pro daný typ nářadí určeny.** Použití jiných typů baterií může způsobit vznik požáru nebo zranění.
- c. **Není-li baterie používána, uložte ji mimo dosah kovových předmětů, jako jsou kancelářské sponky na papír, mince, klíče, hřebíky, šroubky nebo další drobné kovové předměty, které mohou způsobit zkratování kontaktů baterie.** Zkratování kontaktů baterie může vést k způsobení popálenin nebo požáru.
- d. **V nevhodných podmínkách může z baterie unikat kapalina. Vyvarujte se kontaktu s touto kapalinou. Dojde-li k náhodnému kontaktu s touto kapalinou, zasažené místo omyjte vodou.** Při zasažení očí potřísněné místo omyjte a vyhledejte lékařskou pomoc. Unikající kapalina z baterie může způsobit podráždění pokožky nebo popáleniny.
- e. **Nepoužívejte baterii nebo nářadí, které je poškozené nebo upravené.** Poškozené nebo upravené baterie mohou vykazovat nepředvídatelné chování vedoucí k požáru, výbuchu nebo riziku zranění.
- f. **Nevystavujte baterii ani nářadí ohni ani nadměrným teplotám.** Vystavení ohni nebo teplotě nad 130 ° C může způsobit výbuch.
- POZNÁMKA** Teplota „130 ° C“ může být nahrazena teplotou „265 ° F“.
- g. **Postupujte podle všech pokynů k nabíjení a nenabíjejte baterii ani nářadí mimo teplotní rozsah uvedený v pokynech.** Nesprávné nabíjení nebo při teplotách mimo specifikovaný rozsah může poškodit baterii a zvýšit riziko požáru.



## 6. Servis

- a. **Opravy elektrického nářadí svěďte pouze kvalifikovanému technikovi, který bude používat originální náhradní díly.** Tím zajistíte bezpečný provoz nářadí.
- b. **Nikdy neopravujte poškozené baterie.** Servis baterií by měl provádět pouze výrobce nebo autorizovaní poskytovatelé služeb.

## Doplňkové bezpečnostní pokyny pro práci s elektrickým nářadím



**Varování!** Další bezpečnostní pokyny pro vrtačky

- ◆ **Při nárazovém vrtání používejte chrániče sluchu.** Vystavení hluku může způsobit ztrátu sluchu.
- ◆ **Používejte přídavné rukojeti dodávané s nářadím.** Ztráta kontroly nad nářadím může vést k úrazu.
- ◆ **Před použitím nástroj řádně přidržte.** Tento nástroj vytváří vysoký výstupní krouticí moment a bez řádného zpevnění nástroje během provozu může dojít ke ztrátě kontroly a následnému zranění osob.
- ◆ **Při pracovních operacích, u kterých by mohlo dojít ke kontaktu pracovního nástroje se skrytými elektrickými vodiči, držte elektrické nářadí vždy za izolované rukojeti.** Při kontaktu pracovního příslušenství s „živým“ vodičem způsobí neizolované kovové části nářadí obsluhu úraz elektrickým proudem.
- ◆ **Při pracovních operacích, u kterých by mohlo dojít ke kontaktu montážního prvku se skrytými elektrickými vodiči, držte elektrické nářadí vždy za izolované rukojeti.** Montážní prvky, které se dostanou do kontaktu s „živým“ vodičem, způsobí, že neizolované kovové části elektrického nářadí budou také „živé“, což může obsluhu způsobit úraz elektrickým proudem.

## Bezpečnostní pokyny při používání dlouhých vrtáků

- ◆ **Bezpečnostní pokyny při používání dlouhých vrtáků Nikdy nepracujte s vyšší rychlostí, než je maximální rychlost vrtáku.** Při vyšších rychlostech se bit pravděpodobně ohne, pokud se může volně otáčet bez kontaktu s obrobkem, což má za následek zranění osob.
- ◆ **Vždy začněte vrtat nízkou rychlostí a hrot vrtáku je v kontaktu s obrobkem.** Při vyšších rychlostech se bit pravděpodobně ohne, pokud se může volně otáčet bez kontaktu s obrobkem, což má za následek zranění osob.
- ◆ **Tlak vyvíjejte pouze v přímém směru s vrtákem a nevyvíjejte nadměrný tlak.** Bity se mohou ohýbat

a způsobit poškození nebo ztrátu kontroly, což může vést ke zranění osob.

- ◆ **Pro zajištění a upnutí obrobku k pracovnímu stolu používejte svorky nebo jiné vhodné prostředky.** Držení obrobku rukou nebo opření obrobku o část těla nezajistí jeho stabilitu a může vést k ztrátě kontroly.
- ◆ **Před vrtáním do zdí, podlah nebo stropů zjistěte polohu elektrických vedení a potrubí.**
- ◆ **Nedotýkejte se vrtáku ihned po ukončení vrtání, protože může být horký.**
- ◆ **V tomto návodu je popsáno určené použití tohoto nářadí.** Použití jiného příslušenství nebo přídavného zařízení a provádění jiných pracovních operací než je doporučeno tímto návodem, může představovat riziko zranění obsluhy nebo riziko způsobení hmotných škod.

## Bezpečnost ostatních osob

- ◆ Toto nářadí není určeno pro použití osobami (včetně dětí) se sníženými fyzickými, smyslovými nebo duševními schopnostmi, nebo s nedostatkem zkušeností a znalostí, pokud těmto osobám nebyl stanoven dohled, nebo pokud jim nebyly poskytnuty instrukce týkající se použití výrobku osobou odpovědnou za jejich bezpečnost.
- ◆ Děti musí být pod dozorem, aby bylo zajištěno, že si s tímto zařízením nebudou hrát.

## Zbytková rizika

Je-li toto zařízení používáno jiným způsobem, než je uvedeno v příložených bezpečnostních varováních, mohou se objevit dodatečná zbytková rizika. Tato rizika mohou vzniknout v důsledku nesprávného použití, dlouhodobého použití atd.

Přestože jsou dodržovány příslušné bezpečnostní předpisy a jsou používána bezpečnostní zařízení, určitá zbytková rizika nemohou být vyloučena. Tato rizika jsou následující:

- ◆ Zranění způsobená kontaktem s jakoukoli rotující nebo pohyblivou částí.
- ◆ Zranění způsobená při výměně dílů, nožů nebo příslušenství.
- ◆ Zranění způsobená dlouhodobým použitím nářadí.
- ◆ Používáte-li jakékoli nářadí delší dobu, zajistěte, aby byly prováděny pravidelné přestávky.
- ◆ Poškození sluchu.
- ◆ Zdravotní rizika způsobená vdechováním prachu vytvářeného při použití nářadí (například práce se dřevem, zejména s dubovým, bukovým a MDF).

## Vibrace

Deklarovaná úroveň vibrací uvedená v technických údajích a v prohlášení o shodě byla měřena v souladu se standardní zkušební metodou předepsanou normou EN 62841 a může být použita pro srovnání jednotlivých nářadí mezi sebou.

Deklarovaná úroveň vibrací může být také použita k předběžnému stanovení doby práce s tímto nářadím.

**Varování!** Úroveň vibrací při aktuálním použití elektrického nářadí se může od deklarované úrovně vibrací lišit v závislosti na způsobu použití nářadí. Úroveň vibrací může být vzhledem k uvedené hodnotě vyšší.

Při stanovení doby působení vibrací z důvodu určení bezpečnostních opatření podle požadavků normy 2002/44/EC k ochraně osob pravidelně používajících elektrické nářadí v zaměstnání, musí předběžný odhad působení vibrací brát na zřetel aktuální podmínky použití nářadí s přihlédnutím na všechny části pracovního cyklu, jako jsou doby, při kterých je nářadí vypnuto a kdy běží naprázdno.

### Štítky na nářadí

Na nářadí jsou společně s datovým kódem zobrazeny následující piktogramy:



**Varování!** Z důvodu snížení rizika způsobení úrazu si uživatel musí přečíst návod k použití.



Přidržte práci s tímto nářadím hlukem může způsobit ztrátu sluchu.



Neđivte se na provozní lampu

### Další bezpečnostní pokyny pro baterie a nabíječky

#### Baterie

- ◆ Nikdy se nepokoušejte o rozebírání.
- ◆ Zabraňte kontaktu s vodou.
- ◆ Neskladujte na místech, kde může teplota přesáhnout 40 °C.
- ◆ Nabíjejte pouze při teplotách v rozsahu od 10 °C do 40 °C.
- ◆ Nabíjení provádějte pouze nabíječkou dodanou s nářadím.
- ◆ Při likvidaci baterií se vždy řiďte pokyny, které jsou uvedeny v části „Ochrana životního prostředí“.



Nepokoušejte se nabíjet poškozené baterie.

#### Nabíječky

- ◆ K nabíjení baterie dodané s tímto nářadím použijte pouze nabíječku BLACK+DECKER. Jiné baterie mohou prasknout a způsobit zranění nebo jiné škody.
- ◆ Nikdy se nepokoušejte nabíjet baterie, které nejsou k nabíjení určeny.
- ◆ Poškozené kabely ihned vyměňte.
- ◆ Zabraňte kontaktu nabíječky s vodou.
- ◆ Nepokoušejte se nabíječku demontovat.

- ◆ Nepokoušejte se do nabíječky proniknout.



Tato nabíječka není určena pro venkovní použití.



Před použitím si pečlivě přečtěte tento návod.

### Elektrická bezpečnost



Tato nabíječka je opatřena dvojitou izolací. Proto není nutné použití uzemňovacího vodiče. Vždy zkontrolujte, zda napětí v elektrické síti odpovídá napětí uvedenému na výkonovém štítku. Nikdy se nepokoušejte nahradit nabíječku přímým připojením k síťové zásuvce.

- ◆ Je-li poškozen napájecí kabel, musí být vyměněn výrobcem nebo v autorizovaném servisu BLACK+DECKER, aby bylo zabráněno možným rizikům.

### Popis

Tento výrobek se skládá z některých nebo ze všech následujících částí.

1. Spínač s plynulou regulací otáček
2. Přepínač pro chod vpřed/vzad
3. Objímka pro nastavení momentu
4. Rychloupínací sklíčidlo
5. Duální volič převodových stupňů
6. LED pracovní svítidla
7. Baterie
8. Uvolňovací tlačítko baterie

### Sestavení

#### Použití

**Varování!** Nechejte nářadí pracovat jeho vlastním tempem. Zamezte přetěžování.

#### Nabíjení baterie (obr. A1, A2)

Baterie musí být nabita před prvním použitím a vždy, když během práce dojde k výraznému poklesu jejího výkonu. Baterie se může během nabíjení zahřívat. Jedná se o normální stav, který neznamena žádný problém.

**Varování!** Baterii nenabíjejte, klesne-li okolní teplota pod 10 °C nebo přesáhne-li 40 °C. Doporučená teplota prostředí pro nabíjení: přibližně 24 °C.

**Poznámka:** Nabíječka nebude nabíjet baterii, je-li teplota jejího článku nižší než asi 10 °C nebo vyšší než 40 °C.

**Baterie musí být ponechána v nabíječce a nabíječka ji začne znovu automaticky nabíjet, jakmile se teplota článků baterie zvýší nebo sníží.**

- ◆ Připojte nabíječku (9) k jakékoli standardní elektrické zásuvce s napájecím napětím 230 V a frekvencí 50 Hz.
- ◆ Zasuňte baterii (7) do nabíječky, jak je zobrazeno na obr. A1, A2..



LED indikátor (9a) bude blikat, což bude indikovat probíhající nabíjení.



Ukončení nabíjení je indikováno nepřerušovaným svícením LED indikátoru (9a). Baterie je zcela nabitá a může být vyjmuta z nabíječky nebo může být ponechána v nabíječce.

**Varování!** Nebezpečí vzniku požáru. Při vyjímání baterie z nabíječky se ujistěte, zda je nejdříve odpojena nabíječka od síťové zásuvky a potom vyjměte baterii z nabíječky.

### Diagnostická funkce nabíječky

Tato nabíječka je určena pro detekování určitých problémů, které se mohou objevit u baterie nebo napájecího zdroje. Problémy jsou indikovány různými způsoby blikání LED indikátoru.

### Vadná baterie



Tato nabíječka může detekovat slabou nebo poškozenou baterii. LED indikátor bliká způsobem znázorněným na nálepce. Bude-li vidět způsob blikání označující vadnou baterii, nepokračujte v nabíjení této baterie. Odeberte takovou baterii v autorizovaném servisu nebo ve sběrném dvoru, kde bude provedena její recyklace.

### Prodleva zahřátá/studená baterie



Jakmile bude nabíječka detekovat příliš vysokou nebo příliš nízkou teplotu baterie, automaticky zahájí režim prodleva zahřátá/studená baterie a pozastaví nabíjení, dokud baterie nedosáhne předepsané teploty. Jakmile baterie dosáhne předepsané teploty, nabíječka se automaticky přepne do režimu nabíjení baterie. Tato funkce maximálně prodlužuje provozní životnost baterie. Indikátor bliká způsobem znázorněným na nálepce.

### Ponechání baterie v nabíječce

Baterie může být ponechána v nabíječce se svítícím LED indikátorem neomezeně dlouhou dobu. Nabíječka bude baterii udržovat ve zcela nabitém stavu. Tato nabíječka je vybavena režimem automatického dobíjení, který srovnává nebo vyvažuje jednotlivé články baterie, aby tato baterie mohla využít svou špičkovou kapacitu. Baterie musí být dobíjena každý týden nebo vždy, když již neposkytuje dostatečný výkon pro prováděné úkony. Chcete-li použít režim automatického dobíjení, vložte baterii do nabíječky a nechejte ji v nabíječce minimálně 8 hodin.

### Důležité poznámky týkající se nabíjení

- ◆ Nejdelší provozní životnosti a nejvyššího výkonu dosáhnete, bude-li baterie nabíjena v rozmezí teplot 18° až 24 °C. NENABÍJEJTE tuto baterii, je-li teplota okolního vzduchu nižší než +4,5 °C nebo vyšší než +40 °C. Je to velmi důležité a zabrání to vážnému poškození baterie.
- ◆ Během nabíjení může docházet k zahřívání nabíječky i baterie. Jedná se o normální stav, který neznamená žádnou závadu. Chcete-li po použití usnadnit ochlazení baterie, neukládejte nabíječku nebo baterie v teplém prostředí, jako jsou kovové přístřešky nebo nechráněné přívěsy.
- ◆ Nedochází-li k řádnému nabíjení baterie:
  - ◆ Zkontrolujte funkci zásuvky připojením svítilny nebo jiného zařízení.
  - ◆ Proveďte kontrolu, zda není zásuvka propojena se spínačem osvětlení a zda nedojde k odpojení napájení, je-li zhasnuto světlo.
  - ◆ Přemístěte nabíječku a baterii na místo, kde se teplota okolního vzduchu pohybuje v rozmezí zhruba 18–24 °C.
  - ◆ Jestliže problémy stále přetrvávají, předejte nářadí, baterii a nabíječku autorizovanému servisu.
- ◆ Tyto baterie musí být nabíjeny v případě, kdy již neposkytují dostatečný výkon pro dříve snadno prováděné pracovní operace. V TAKOVÉ SITUACI NEPOKRÁČUJTE v používání nářadí. Postupujte podle pokynů pro nabíjení. Částečně vybitá baterie může být kdykoli znovu nabitá, aniž by to mělo jakýkoli vliv na nabíjenou baterii.
- ◆ Cizí vodivé předměty a materiály, jako jsou brusiva, kovové špony, ocelová vlna, hliníkové fólie nebo nahromaděné částičky kovu, se nesmí nikdy dostat do vnitřního prostoru nabíječky. Dříve, než budete provádět čištění nabíječky, odpojte ji od sítě. ◆ Zabraňte zmrznutí baterie a neponořujte ji do vody nebo do jiných kapalin.

### Vložení a vyjmutí baterie z nářadí (obr. B)

**Varování!** Ujistěte se, zda je nářadí zajištěno zajišťovacím tlačítkem (2), abyste před vložení nebo vyjmutím baterie zabránili aktivaci spínače.

Vložení baterie:

- ◆ Vložte baterii (7) do nářadí tak, abyste uslyšeli kliknutí (obr. B).

### Vyjmutí baterie z nářadí (obr. C)

- ◆ Stiskněte tlačítko pro uvolnění baterie (8), jak je zobrazeno na obr. C a vysuňte baterii z nářadí.

## Pokyny pro použití

### Spouštěcí spínač a tlačítko změny směru chodu (obr. D)

- ◆ Tato vrtačka je zapínána a vypínána stisknutím a uvolněním spouštěcího spínače (1). Čím více je spouštěcí spínač stisknutý, tím vyšší jsou otáčky vrtáku.
- ◆ Ovládací tlačítko pro chod vpřed/vzad (2) určuje směr otáčení pracovního nástroje a slouží také jako zajišťovací tlačítko.
- ◆ Chcete-li zvolit směr otáčení vpřed, uvolněte spouštěcí spínač a zatlačte ovládací tlačítko chodu vpřed/vzad doleva.
- ◆ Chcete-li zvolit směr otáčení vzad, zatlačte ovládací tlačítko chodu vpřed/vzad na druhou stranu.

**Poznámka:** Středová poloha tohoto ovládacího tlačítka zajišťuje nářadí ve vypnuté poloze. Provádíte-li změnu polohy ovládacího tlačítka, ujistěte se, zda je uvolněn spouštěcí spínač.

### Ovládání momentu (obr. E)

Toto nářadí je vybaveno objímkou (3) pro nastavení pracovního režimu a pro nastavení momentu při utahování vrtutí a šroubů. Šrouby velkých rozměrů a obrobky z tvrdých materiálů vyžadují nastavení vyšší hodnoty momentu než malé šrouby a měkké materiály.

- ◆ Při vrtání do dřeva, kovu a plastů nastavte objímku pro nastavení momentu na symbol vrtáku.
- ◆ Při šroubování nastavte objímku na požadovanou hodnotu momentu. Neznáte-li ještě vhodné nastavení, postupujte následovně:
- ◆ Nastavte objímku na nejmenší hodnotu momentu.
- ◆ Utáhněte první šroub.
- ◆ Začně-li spojka před dosažením požadovaného výsledku přeskakovat, zvětšete hodnotu momentu nastavením objímky do další polohy a pokračujte v utahování šroubu. Opakujte tento postup, dokud nedosáhnete požadovaného nastavení. Použijte toto nastavení i pro dotažení zbývajících šroubů.

### Rychloupínací sklíčidlo (obr. F)

**Varování!** Ujistěte se, zda je nářadí zajištěno zajišťovacím tlačítkem (2), abyste před vložením nebo vyjmutím příslušenství zabránili aktivaci spínače.

Vložení vrtáku nebo jiného pracovního nástroje:

- ◆ Jednou rukou uchopte zadní polovinu sklíčidla (4) a druhou rukou použijte k otáčení přední poloviny sklíčidla proti směru pohybu hodinových ručiček, a to při pohledu od konce sklíčidla.
- ◆ Zasuňte pracovní nástroj nebo jiné příslušenství zcela do sklíčidla a z pohledu od zadní části sklíčidla provedte jeho řádné utažení otáčením přední části sklíčidla ve směru pohybu hodinových ručiček.

**Varování!** Nepokoušejte se utahovat vrtáky (nebo jiné příslušenství) uchopením přední části sklíčidla a zapnutím nářadí.

Výměna příslušenství prováděná takovým způsobem může vést k poškození sklíčidla a k úrazu.

### Duální volič převodových stupňů (obr. G)

Možnost volby dvou převodových stupňů vaší vrtačky vám umožňuje širší využití vašeho nářadí. Chcete-li zvolit nízké otáčky a vysokou hodnotu momentu (poloha 1), vypněte nářadí a počkejte na jeho zastavení. Přesuňte volič převodů (5) směrem od sklíčidla. Chcete-li zvolit vysoké otáčky a nízkou hodnotu momentu (poloha 2), vypněte nářadí a počkejte na jeho zastavení.

Přesuňte volič převodů směrem ke sklíčidlu.

**Poznámka:** Neprovádějte změnu převodů, je-li nářadí v chodu. Máte-li s prováděním změny převodového stupně problémy, ujistěte se, zda je volič převodů zatlačen zcela dopředu nebo dozadu, až do dorazové polohy.

### Vrtání/šroubování

- ◆ Pomocí přepínače chodu vpřed/vzad (2) zvolte směr otáčení vpřed nebo vzad.
- ◆ Chcete-li nářadí zapnout, stiskněte spínač (1). Otáčky nářadí závisí na intenzitě stisknutí tohoto spínače.
- ◆ Chcete-li nářadí vypnout, uvolněte tento spínač.

### Rady pro optimální použití

#### Drilling

##### Vrtání

- ◆ Používejte pouze nabroušené vrtáky.
- ◆ Podepřete a řádně zajistěte obrobek, jak je uvedeno v bezpečnostních pokynech.
- ◆ Použijte odpovídající a vyžadované bezpečnostní vybavení, jak je uvedeno v bezpečnostních pokynech.
- ◆ Zabezpečte a uklízejte pracovní prostor, jak je uvedeno v bezpečnostních pokynech.
- ◆ Zahajte vrtání velmi pomalu a používejte pouze malý přítlak, dokud nebude vyvrtána dostatečná díra, která zabrání vyklouznutí vrtáku.
- ◆ Vyvíjejte na nářadí tlak v ose pracovního nástroje. Používejte dostatečně velký tlak, aby zajistili dostatečný výkon nástroje, ale netlačte na něj příliš, aby nedošlo k zastavení motoru nebo k vychýlení nástroje.
- ◆ Držte nářadí pevně oběma rukama, abyste mohli zvládat jeho nenadálé reakce.
- ◆ PŘI ZASEKNUTÍ VRTÁKU NEPOUŽÍVEJTE SPOUŠTĚCÍ SPÍNAČ PRO OPAKOVANÉ ZAPÍNÁNÍ A VYPÍNÁNÍ VRTAČKY, ABY OPĚT DOŠLO K ZAHÁJENÍ VRTÁNÍ. MOHLO BY DOJÍT K POŠKOZENÍ VRTAČKY.
- ◆ Zmenšením přítlaku a pomalým vrtáním přes poslední část obrobku minimalizujte možnost zaseknutí vrtáku a prolomení obrobku.
- ◆ Při vyťahování vrtáku z vyvrtaného otvoru nechejte motor v chodu. Tím zabráníte zablokování vrtáku.

- ♦ Ujistěte se, zda spouštěcí spínač zapíná a vypíná vrtáčku.

### Vrtání do dřeva

Otvory do dřeva lze vrtat stejnými spirálovými vrtáky, jaké jsou používány při vrtání do kovu nebo plochými vrtáky. Tyto vrtáky musí být ostré a během vrtání musí být často vytažovány z vrtaného otvoru, aby mohly být odstraněny nečistoty ze spirálových drážek vrtáku.

### Vrtání do kovu

Při vrtání do kovu používejte mazivo. Výjimkou jsou litina a mosaz, které musí být vrtány na sucho. Maziva pro vrtání, která dosahují nejlepších výsledků, obsahují sířené oleje nebo olivový olej.

### Vrtání do zdiva

Při vrtání do zdiva nastavte objímku (3) do polohy pro přiklepové vrtání srovnáním symbolu s příslušnou značkou. Posuňte volič převodových stupňů (5) směrem k přední části nářadí (2. převodový stupeň).

### Šroubování

- ♦ Vždy používejte správný typ a velikost šroubovacího nástavce.
- ♦ Nejdou-li šrouby správně přitáhnout, použijte jako mazivo malé množství saponátu nebo mýdlového roztoku.
- ♦ Vždy držte nářadí se šroubovacím nástavcem v jedné ose se šroubem

### Odstraňování závad

Problém	Možná příčina	Možné řešení
Nářadí nelze spustit.	Baterie není nabita.	Zkontrolujte, zda není nutné nabít baterie.
Baterie se nenabíjí.	Napájecí kabel nabíječky není připojen k síťové zásuvce.  Příliš vysoká nebo příliš nízká teplota okolního prostředí.	Připojte napájecí kabel nabíječky k síťové zásuvce.  Přemístěte nabíječku a baterii do prostředí, ve kterém je teplota vyšší než 4,5 °C nebo nižší než 40,5 °C.
Nářadí se náhle vypne.	Baterie dosáhla svého maximálního teplotního limitu.  Baterie je vybitá. Tato baterie je vyrobena tak, aby došlo k jejímu okamžitému vypnutí, dojde-li k jejímu vybití, aby byla maximalizována její provozní životnost.	Nechejte baterii vychladnout.  Vložte ji do nabíječky a nechte ji zcela nabít.

### Údržba

Vaše nářadí BLACK+DECKER bylo zkonstruováno tak, aby pracovalo po dlouhou dobu s minimálními nároky na údržbu. Řádná péče o nářadí a jeho pravidelné čištění vám zajistí jeho bezproblémový chod.

Vaše nabíječka nevyžaduje žádnou údržbu mimo pravidelné čištění.

**Varování!** Před prováděním jakékoli údržby vyjměte z nářadí baterii. Před čištěním odpojte nabíječku od sítě.

- ♦ Větrací otvory nářadí a nabíječky pravidelně čistěte měkkým kartáčem nebo suchým hadříkem.
- ♦ Pomocí vlhkého hadříku pravidelně čistěte kryt motoru. Nepoužívejte žádné abrazivní čisticí prostředky nebo rozpouštědla.
- ♦ Pravidelně otvírejte skříňdlo a poklepem odstraňte prach z jeho vnitřní části.

### Ochrana životního prostředí



Tříděte odpad. Výrobky a baterie označené tímto symbolem nesmí být vyhozeny do běžného domácího odpadu.

Tyto výrobky a baterie obsahují materiály, které mohou být obnoveny nebo recyklovány, což snižuje poptávku po surovinách. Provádějte prosím recyklaci elektrických výrobků a baterií podle místních předpisů. Další informace naleznete na internetové adrese [www.2helpU.com](http://www.2helpU.com)

### Technické údaje

		BDASB18
Napájecí napětí	V	18
Otáčky naprázdno	min <sup>-1</sup>	0–360 / 0–1 400
Maximální moment	Nm	45
Kapacita skříňdla	mm	1–10
Maximální průměr vrtáku při vrtání do		
ocel/dřevo/zdiva	mm	10 / 25 / 10
Hmotnost	kg	0,9 (s baterií 1,3)

Nabíječka	90589867	90590287-06	90634971
Vstupní napětí	V	230	230
Výstupní napětí	V	18	18
Proud	mA	200	400
Přibližná doba nabíjení	Hodiny	8	3–5
			1,5

		BL1518
Napájecí napětí	V <sub>AC</sub>	18
Kapacita	Ah	1.5
Typ		Li-Ion

Hladina akustického tlaku podle normy EN 62841:	
Akustický tlak (L <sub>pa</sub> )	87.5 dB(A), odchylka (K) 5 dB(A)
Akustický výkon (L <sub>wa</sub> )	98.5 dB(A), odchylka (K) 5 dB(A)

Vibration total values (triax vector sum) according to EN 62841:	

Vrtání do betonu (a<sub>n, ID</sub>) 14.2 m/s<sup>2</sup>, odchylka (K) 1.5 m/s<sup>2</sup>

Vrtání do kovu (a<sub>n, ID</sub>) 1.1 m/s<sup>2</sup>, odchylka (K) 1.5 m/s<sup>2</sup>

## Prohlášení o shodě

SMĚRNICE PRO STROJNÍ ZAŘÍZENÍ



BDASB18 - Příkladová vrtačka

Společnost Black & Decker prohlašuje, že tyto výrobky popisované v technických údajích splňují požadavky následujících norem: 2006/42/EC, EN62841-1:2015 EN62841-2-1:2018+A11:2019.

Tyto výrobky splňují také požadavky směrnice 2014/30/EU a 2011/65/EU. Chcete-li získat další informace, kontaktujte prosím společnost Black & Decker na následující adrese nebo na adresách, které jsou uvedeny na konci tohoto návodu.

Níže podepsaná osoba je odpovědná za sestavení technických údajů a provádí toto prohlášení v zastoupení společnosti Black & Decker.

Ed Higgins

Director – Consumer Power Tools  
Black & Decker Europe, 270 Bath Road, Slough,  
Berkshire, SL1 4DX  
United Kingdom  
29/11/2019

## Záruka

Společnost Black & Decker je přesvědčena o kvalitě svých výrobků a nabízí spotřebitelům záruku 24 měsíců od data zakoupení. Tato záruka je nabízena ve prospěch zákazníka a nijak neovlivní jeho zákonná záruční práva. Tato záruka je platná ve všech členských státech EU a evropské zóny volného obchodu EFTA.

Požadujete-li reklamaci v rámci záruky, tato reklamační musí splňovat obchodní podmínky společnosti Black & Decker a prodejci nebo autorizovanému servisu budete muset předložit doklad o zakoupení.

Obchodní podmínky týkající se záruky společnosti Black & Decker v trvání 2 let a adresu nejbližšího autorizovaného servisu najdete na internetové adrese [www.2helpU.com](http://www.2helpU.com),

nebo kontaktujte nejbližšího autorizovaného prodejce Black & Decker na adrese uvedené v tomto návodu.

Navštivte prosím naše internetové stránky

[www.blackanddecker.co.uk](http://www.blackanddecker.co.uk), kde můžete zaregistrovat váš nový výrobek Black & Decker a kde můžete získat informace o našich nových výrobcích a speciálních nabídkách.

## STANLEY BLACK & DECKER CZECH REPUBLIC S.R.O.

Tůrkova 5b  
149 00 Praha 4  
Česká Republika  
Tel.: 00420 261 009 772  
Fax: 00420 261 009 784  
Servis: 00420 244 403 247  
[www.blackanddecker.cz](http://www.blackanddecker.cz)  
[obchod@sbdinc.com](mailto:obchod@sbdinc.com)

## STANLEY BLACK & DECKER SLOVAKIA S.R.O.

Vysoká 2/b  
811 06 Bratislava  
Tel.: 00420 261 009 772  
Fax: 00420 261 009 784  
[www.blackanddecker.sk](http://www.blackanddecker.sk)  
[obchod@sbdinc.com](mailto:obchod@sbdinc.com)

## BAND SERVIS

K Pasekám 4440  
760 01 Zlín  
Tel.: 00420 577 008 550,1  
Fax: 00420 577 008 559  
[www.bandservis.cz](http://www.bandservis.cz)  
[bandservis@bandservis.cz](mailto:bandservis@bandservis.cz)

## BAND SERVIS

Klásterského 2  
140 00 Praha 4  
Tel.: 00420 244 403 247  
Fax: 00420 241 770 167  
[j.kraus@bandservis.cz](mailto:j.kraus@bandservis.cz)  
[www.bandservis.cz](http://www.bandservis.cz)  
[bandservis@bandservis.cz](mailto:bandservis@bandservis.cz)

## BAND SERVIS

Paulínska 22  
917 01 Trnava  
Tel.: 00421 335 511 063  
Fax: 00421 335 512 624  
[www.bandservis.sk](http://www.bandservis.sk)  
[p.talajka@bandservis.sk](mailto:p.talajka@bandservis.sk)

## BAND SERVIS

Južná trieda 17 (budova TWD)  
040 01 Košice  
Tel.: 00421 556 233 155  
[bandserviske@zoznam.sk](mailto:bandserviske@zoznam.sk)



## Verwendungszweck

Ihr BLACK+DECKER Schlagbohrer BDASB18V wurde für Schraubenwendungen und zum Bohren in Holz, Metall und Mauerwerk entwickelt. Dieses Werkzeug ist nicht für den gewerblichen Einsatz vorgesehen.

## Sicherheitshinweise

### Allgemeine Sicherheitswarnhinweise für Elektrowerkzeuge



**WARNUNG** Lesen Sie alle mit diesem Elektrowerkzeug gelieferten Sicherheitshinweise, Anweisungen, Abbildungen und technischen Daten. Die Nichtbeachtung der unten aufgeführten Warnungen und Anweisungen kann zu Stromschlägen, Feuer und / oder schweren Verletzungen führen.

**Bewahren Sie alle Warnhinweise und alle Anweisungen auf.** Der Begriff „Elektrowerkzeug“ in allen folgenden Warnhinweisen bezieht sich auf Ihr netzbetriebenes Elektrowerkzeug (mit Kabel) oder auf Ihr akkubetriebenes (kabelloses) Elektrowerkzeug.

#### 1. Sicherheit im Arbeitsbereich

- a. **Halten Sie den Arbeitsbereich sauber und gut ausgeleuchtet.** Unaufgeräumte oder dunkle Bereiche begünstigen Unfälle.
- b. **Betreiben Sie das Elektrowerkzeug nicht in explosionsgefährdeten Umgebungen, in denen sich z. B. brennbare Flüssigkeiten, Gase oder Staub befinden.** Elektrowerkzeuge erzeugen Funken, die den Staub oder die Dämpfe entzünden können.
- c. **Halten Sie Kinder und Zuschauer fern, während Sie ein Elektrogerät betreiben.** Ablenkung kann dazu führen, dass Sie die Kontrolle über das Gerät verlieren.

#### 2. Elektrische Sicherheit

- a. **Der Stecker des Elektrogerätes muss in die Steckdose passen. Ändern Sie niemals den Stecker in irgendeiner Form. Verwenden Sie keinerlei Adapterstecker an geerdeten Elektrogeräten.** Unveränderte Stecker und passende Steckdosen mindern die Gefahr eines elektrischen Schlages.
- b. **Vermeiden Sie Körperkontakt mit geerdeten Flächen, wie Rohren, Radiatoren, Herden und Kühlgeräten.** Es besteht eine erhöhte Gefahr für einen elektrischen Schlag, wenn Ihr Körper geerdet ist.
- c. **Setzen Sie Elektrogeräte keinem Regen oder feuchter Umgebung aus.** Wenn Wasser in das Elektrogerät eindringt, erhöht sich die Gefahr eines elektrischen Schlages.
- d. **Überlasten Sie das Kabel nicht.**

**Verwenden Sie niemals das Kabel, um das Elektrogerät zu tragen oder durch Ziehen vom Netz zu trennen. Halten Sie das Kabel fern von Hitze, Öl, scharfen Kanten oder beweglichen Teilen.** Beschädigte oder verhedderte Kabel erhöhen die Gefahr eines elektrischen Schlages.

- e. **Wenn Sie ein Elektrogerät im Freien betreiben, verwenden Sie ein für den Außeneinsatz geeignetes Verlängerungskabel.** Die Verwendung von für den Außeneinsatz geeigneten Kabeln mindert die Gefahr eines elektrischen Schlages.
  - f. **Wenn der Betrieb eines Elektrogerätes in feuchter Umgebung unumgänglich ist, verwenden Sie eine durch einen Fehlerstromschutzschalter (FI-Schalter oder RCD) geschützte Stromversorgung.** Der Einsatz eines Fehlerstromschutzschalters mindert die Gefahr eines elektrischen Schlages.
- #### 3. Sicherheit von Personen
- a. **Seien Sie aufmerksam, achten Sie darauf, was Sie tun, und gehen Sie mit Vernunft an die Arbeit mit einem Elektrowerkzeug. Benutzen Sie kein Elektrowerkzeug, wenn Sie müde sind oder unter dem Einfluss von Drogen, Alkohol oder Medikamenten stehen.** Ein Moment der Unachtsamkeit beim Betrieb eines Elektrogerätes kann zu schweren Verletzungen führen.
  - b. **Tragen Sie persönliche Schutzausrüstung. Tragen Sie Augenschutz.** Das Tragen persönlicher Schutzausrüstung, wie Staubmaske, rutschfeste Sicherheitsschuhe, Schutzhelm oder Gehörschutz, je nach Art und Einsatz des Elektrowerkzeuges, verringert das Risiko von Verletzungen.
  - c. **Vermeiden Sie unbeabsichtigtes Starten. Vergewissern Sie sich, dass der Schalter in der AUS-Position ist, bevor Sie das Gerät an die Stromversorgung und/oder an den Akku anschließen oder wenn Sie das Gerät aufnehmen oder tragen.** Wenn Sie beim Tragen des Elektrowerkzeuges den Finger am Schalter haben oder das Gerät eingeschaltet an die Stromversorgung anschließen, kann dies zu Unfällen führen.
  - d. **Entfernen Sie alle Einstellschlüssel oder Werkzeuge, bevor Sie das Elektrogerät einschalten.** Werkzeuge oder Schlüssel, die an rotierenden Teilen des Elektrogerätes angebracht sind, können zu Verletzungen führen.
  - e. **Vermeiden Sie eine anormale Körperhaltung. Sorgen Sie für einen sicheren Stand und halten Sie jederzeit das Gleichgewicht.** Dadurch können Sie das Elektrowerkzeug in unerwarteten Situationen besser kontrollieren.
  - f. **Tragen Sie geeignete Kleidung. Tragen Sie keine weite Kleidung und keinen Schmuck. Halten Sie Ihre Haare, Kleidung und Handschuhe von beweglichen Teilen fern.** Lose sitzende Kleidung, Schmuck oder lange Haare können sich in den beweglichen Teilen verfangen.

- g. Wenn Geräte für den Anschluss an eine Staubabsaugung und Staubsammlung vorgesehen sind, vergewissern Sie sich, dass diese richtig angeschlossen sind und verwendet werden.** Der Einsatz von Staubsaugern kann staubbedingte Gefahren mindern..
- h. Lassen Sie sich nicht durch die häufige Verwendung von Werkzeugen vertraut machen und die Prinzipien der Arbeitssicherheit ignorieren. Eine unachtsame Handlung kann innerhalb von Sekundenbruchteilen schwere Verletzungen verursachen.**
- 4. Verwendung und Pflege des Elektrogerätes**
- a. Überlasten Sie das Werkzeug nicht. Verwenden Sie das für Ihre Arbeit passende Elektrogerät.** Das richtige Gerät wird die Aufgabe besser und sicherer erledigen, wenn es bestimmungsgemäß verwendet wird.
- b. Benutzen Sie kein Elektrowerkzeug, dessen Schalter defekt ist.** Ein Elektrowerkzeug, das sich nicht mehr ein- oder ausschalten lässt, ist gefährlich und muss repariert werden.
- c. Trennen Sie den Stecker vom Netz und/oder die Akkus vom Elektrogerät, bevor Sie Einstellungen am Gerät vornehmen, Zubehör wechseln oder es aufbewahren. Diese Vorbeugemaßnahmen mindern die Gefahr, dass das Elektrogerät unbeabsichtigt startet.** Diese Vorbeugemaßnahmen mindern die Gefahr, dass das Elektrogerät unbeabsichtigt startet.
- d. Bewahren Sie nicht verwendete Elektrogeräte für Kinder unerreichbar auf und lassen Sie nicht zu, dass Personen ohne Erfahrung mit dem Elektrogerät oder mit diesen Anweisungen das Elektrogerät bedienen.** Elektrogeräte sind in den Händen nicht geschulter Personen gefährlich.
- e. Pflegen Sie Ihre Elektrogeräte. Prüfen Sie, ob bewegliche Teile verzogen oder ausgeschlagen, ob Teile gebrochen oder in einem Zustand sind, der den Betrieb des Elektrogerätes beeinträchtigen kann. Bei Beschädigungen lassen Sie das Elektrogerät reparieren, bevor Sie es verwenden.** Viele Unfälle entstehen wegen mangelnder Wartung der Elektrogeräte.
- f. Halten Sie Schneidwerkzeuge scharf und sauber.** Richtig gewartete Schneidwerkzeuge mit scharfen Klingen blockieren seltener und sind leichter unter Kontrolle zu halten.
- g. Verwenden Sie Elektrogeräte, Zubehör und Einsätze (Bits) usw. gemäß diesen Anweisungen und unter Berücksichtigung der Arbeitsbedingungen und der Aufgabe.** Wenn Sie das Elektrogerät für Aufgaben verwenden, die nicht bestimmungsgemäß sind, kann dies zu gefährlichen Situationen führen.
- h. Halten Sie Griffe und Greifflächen trocken, sauber und frei von Öl und Fett.**
- Rutschige Griffe und Greifflächen ermöglichen keine sichere Handhabung und Kontrolle des Werkzeugs in unerwarteten Situationen.**
- 5. Gebrauch und Pflege von Akkuwerkzeugen**
- a. Laden Sie die Akkus nur in Ladegeräten auf, die vom Hersteller angegeben wurden.** Für ein Ladegerät, das nur für eine bestimmte Akkumart geeignet ist, besteht Brandgefahr, wenn es mit anderen Akkus verwendet wird.
- b. Verwenden Sie Elektrowerkzeuge nur mit speziell dafür vorgesehenen Akkus.** Der Gebrauch von anderen Akkus kann zu Verletzungen und Brandgefahr führen.
- c. Halten Sie den nicht benutzten Akku fern von Büroklammern, Münzen, Schlüsseln, Nägeln, Schrauben oder anderen kleinen Metallgegenständen, die eine Überbrückung der Kontakte verursachen könnten.** Ein Kurzschluss zwischen den Akkukontakten kann Verbrennungen oder Feuer zur Folge haben.
- d. Unter missbräuchlichen Bedingungen kann Flüssigkeit aus dem Akku austreten, Kontakt vermeiden. Bei unbeabsichtigtem Kontakt mit Wasser abspülen. Gelangt die Flüssigkeit in die Augen, ziehen Sie außerdem ärztliche Hilfe hinzu.** Austretende Akkuflüssigkeit kann zu Hautreizungen oder Verbrennungen führen..
- e. Verwenden Sie keinen beschädigten oder modifizierten Akku oder Werkzeug.** Beschädigte oder modifizierte Batterien können ein unvorhersehbares Verhalten aufweisen, das zu Feuer, Explosion oder Verletzungsgefahr führen kann.
- f. Setzen Sie einen Akku oder ein Werkzeug keinem Feuer oder übermäßigen Temperaturen aus.** Feuer oder Temperaturen über 130 ° C können zu Explosionen führen.
- HINWEIS** Die Temperatur "130 ° C" kann durch die Temperatur "265 ° F" ersetzt werden.
- g. Befolgen Sie alle Anweisungen zum Laden und laden Sie den Akku oder das Werkzeug nicht außerhalb des in den Anweisungen angegebenen Temperaturbereichs.** Unsachgemäßes Laden oder bei Temperaturen außerhalb des angegebenen Bereichs kann den Akku beschädigen und die Brandgefahr erhöhen.
- 6. Service**
- a. Lassen Sie Ihr Elektrowerkzeug nur von qualifiziertem Fachpersonal und nur mit Original-Ersatzteilen reparieren.** Damit wird sichergestellt, dass die Sicherheit des Gerätes erhalten bleibt.
- b. Warten Sie niemals beschädigte Akkus.** Die Wartung von Akkus sollte nur vom Hersteller oder autorisierten Dienstleistern durchgeführt werden.



## Zusätzliche Sicherheitshinweise für Elektrowerkzeuge



**Warnung!** Zusätzliche Sicherheitshinweise für Bohrmaschinen

- ◆ **Tragen Sie beim Aufprallbohren Gehörschutz.** Lärm kann zu Hörverlust führen.
- ◆ **Benutzen Sie die mit dem Werkzeug gelieferten Zusatzgriffe.** Der Verlust der Kontrolle kann Verletzungen verursachen.
- ◆ **Das Werkzeug vor Gebrauch richtig abstützen.** Dieses Werkzeug erzeugt ein hohes Ausgangsdrehmoment. Wenn das Werkzeug während des Betriebs nicht richtig abgestützt wird, kann es zu einem Kontrollverlust kommen, der zu Verletzungen führen kann.
- ◆ **Halten Sie das Elektrowerkzeug an den isolierten Griffflächen, wenn Arbeiten durchgeführt werden, bei denen das Schneidewerkzeug versteckte Leitungen berühren könnte.** Der Kontakt des Schneidewerkzeugs mit einer spannungsführenden Leitung kann auch metallene Geräteteile unter Spannung setzen und zu einem elektrischen Schlag führen.
- ◆ **Halten Sie das Elektrowerkzeug an den isolierten Griffflächen, wenn Arbeiten durchgeführt werden, bei denen das Gerät versteckte Leitungen berühren könnte.** Der Kontakt von Befestigungsmitteln mit einer spannungsführenden Leitung kann auch metallene Geräteteile unter Spannung setzen und zu einem elektrischen Schlag führen.

### Sicherheitshinweise bei Verwendung langer Bohrer

- ◆ **Arbeiten Sie niemals mit einer höheren Geschwindigkeit als der maximalen Drehzahl des Bohrers.** Bei höheren Geschwindigkeiten verbiegt sich der Meißel wahrscheinlich, wenn er sich frei drehen kann, ohne das Werkstück zu berühren, was zu Verletzungen führen kann.
- ◆ **Beginnen Sie das Bohren immer mit niedriger Geschwindigkeit und mit der Bohrerspitze in Kontakt mit dem Werkstück.** Bei höheren Geschwindigkeiten verbiegt sich der Meißel wahrscheinlich, wenn er sich frei drehen kann, ohne das Werkstück zu berühren, was zu Verletzungen führen kann.
- ◆ **Üben Sie Druck nur in direkter Linie mit dem Bohrmeißel aus und üben Sie keinen übermäßigen Druck aus.** Bits können sich verbiegen und zu Bruch oder Kontrollverlust führen, was zu Verletzungen führen kann.
- ◆ **Sichern Sie das Werkstück zum Beispiel mit Einspannvorrichtungen auf einer stabilen Plattform.**

Das Werkstück wird instabil, wenn es mit der Hand oder dem Körper abgestützt wird, was zum Verlust der Kontrolle führen kann.

- ◆ Bevor Sie in Wände, Böden oder Decken bohren, überprüfen Sie die Lage von Kabeln und Rohren
- ◆ Vermeiden Sie es, die Spitze eines Bohrers unmittelbar nach dem Bohren zu berühren, da dieser heiß werden kann.
- ◆ Die bestimmungsgemäße Verwendung ist in dieser Betriebsanleitung beschrieben. Das Verwenden anderer als der in dieser Anleitung empfohlenen Vorsatzgeräte und Zubehörteile oder die Ausführung von Arbeiten mit diesem Elektrowerkzeug, die nicht der bestimmungsgemäßen Verwendung entsprechen, kann zu Unfallgefahren oder Sachschäden führen.

### Sicherheit anderer Personen

- ◆ Dieses Werkzeug darf nicht von Personen (einschließlich Kindern) mit eingeschränkten physischen, sensorischen oder mentalen Fähigkeiten oder ohne ausreichende Erfahrung oder Kenntnisse verwendet werden, außer wenn diese Personen von einer Person, die für ihre Sicherheit verantwortlich ist, bei der Verwendung des Werkzeugs beaufsichtigt oder mit ihm vertraut gemacht werden.
- ◆ Lassen Sie nicht zu, dass Kinder mit dem Gerät spielen.

### Restrisiken

Beim Gebrauch dieses Geräts verbleiben zusätzliche Restrisiken, die möglicherweise nicht in den Sicherheitswarnungen genannt werden. Diese Risiken bestehen beispielsweise bei Missbrauch oder längerem Gebrauch.

Auch bei der Einhaltung der entsprechenden Sicherheitsvorschriften und der Verwendung aller Sicherheitsgeräte bestehen weiterhin bestimmte Restrisiken. Diese sind:

- ◆ Verletzungen, die durch das Berühren von sich drehenden/bewegenden Teilen verursacht werden.
- ◆ Verletzungen, die durch das Austauschen von Teilen, Sägeblättern oder Zubehör verursacht werden.
- ◆ Verletzungen, die durch längeren Gebrauch eines Geräts verursacht werden. Legen Sie bei längerem Gebrauch regelmäßige Pausen ein.
- ◆ Schwerhörigkeit.
- ◆ Gesundheitsrisiken durch das Einatmen von Staub beim Gebrauch des Geräts (beispielsweise bei Holzarbeiten, insbesondere Eiche, Buche und Pressspan)

## Schwingung

Die in den technischen Daten und der Konformitätserklärung angegebenen Schwingungsemissionswerte wurden in Übereinstimmung mit einem Standard-Testverfahren gemäß EN 62841 gemessen und können zum Vergleich einzelner Werkzeuge verwendet werden. Der angegebene Schwingungsemissionswert kann auch in einer vorläufigen Beurteilung der Exposition verwendet werden.

**Warnung!** Der Schwingungsemissionswert, der während der tatsächlichen Benutzung des Elektrowerkzeugs erreicht wird, kann sich von dem angegebenen Wert unterscheiden, was von der Art und Weise abhängt, in der das Werkzeug verwendet wird. Der Schwingungspegel kann über den angegebenen Wert steigen.

Bei der Beurteilung der Schwingungsbelastung, um die gemäß 2002/44/EG vorgeschriebenen Sicherheitsmaßnahmen festzulegen, damit Personen geschützt werden, die regelmäßig mit Elektrowerkzeugen arbeiten, müssen in einer Bewertung der Schwingungsbelastung die tatsächlichen Einsatzbedingungen und die Art und Weise, wie das Werkzeug verwendet wird, berücksichtigt werden; dazu gehört neben der Dauer des Betriebs bei gedrücktem Auslöser auch die Berücksichtigung aller Bereiche des Betriebszyklus, beispielsweise die Häufigkeit des Abschaltens des Werkzeugs und wie lange es im Leerlauf betrieben wird.

## Etiketten am Werkzeug

Die folgenden Symbole sind am Werkzeug inkl. Datumscode angebracht:



**Warnung!** Zur Reduzierung der Verletzungsgefahr muss der Benutzer die Betriebsanleitung lesen.



Tragen Sie bei der Verwendung von Schlagbohrern Ohrschützer. Lärm kann Gehörschäden verursachen.



Starren Sie nicht auf die Operationslampe

## Zusätzliche Sicherheitshinweise für Akkus und Ladegeräte

### Akkus

- ◆ Versuchen Sie niemals und unter keinen Umständen, Akkus zu öffnen.
- ◆ Setzen Sie den Akku keinem Wasser aus.
- ◆ Nicht an Orten lagern, an denen eine Temperatur von 40 °C überschritten werden kann.
- ◆ Nur bei Umgebungstemperaturen zwischen 10 °C und 40 °C aufladen.
- ◆ Nur mit dem mitgelieferten Ladegerät aufladen.

- ◆ Beachten Sie beim Entsorgen von Akkus die Hinweise im Abschnitt „Umweltschutz“



Nicht versuchen, beschädigte Akkus aufzuladen.

### Ladegeräte

- ◆ Verwenden Sie Ihr BLACK+DECKER-Ladegerät nur, um den mit dem Gerät gelieferten Akku aufzuladen. Andere Akkus könnten bersten und Verletzungen und Sachschäden verursachen.
- ◆ Versuchen Sie niemals, nicht-aufladbare Akkus aufzuladen.
- ◆ Defekte Kabel sofort ersetzen lassen.
- ◆ Setzen Sie das Ladegerät keinem Wasser aus.
- ◆ Öffnen Sie das Ladegerät nicht.
- ◆ Durchstechen Sie das Ladegerät nicht.



Das Ladegerät ist nicht für den Einsatz im Freien vorgesehen.



Lesen Sie vor der Verwendung die Betriebsanleitung.

### Elektrische Sicherheit



Das Ladegerät ist schutzisoliert, daher ist keine Erdung erforderlich. Überprüfen Sie immer, dass die Netzspannung der Spannung auf dem Typenschild entspricht. Versuchen Sie niemals, das Ladegerät durch einen normalen Netzstecker zu ersetzen.

- ◆ Bei einer Beschädigung des Netzkabels muss dieses durch den Hersteller oder eine BLACK+DECKER Vertragswerkstatt ausgetauscht werden, um mögliche Gefahren zu vermeiden.

## Merkmale

Dieses Werkzeug verfügt über einige oder alle der folgenden Merkmale:

1. Drehzahl-Regelschalter
2. Rechts-/Links-Schieber
3. Drehmomenteinstellung
4. Schnellspannfutter
5. Zweiganggetriebe
6. LED-Arbeitsleuchte
7. Akku
8. Akku-Löseknöpfe

## Montage

## Verwendung

**Warnung!** Beschleunigen Sie den Arbeitsvorgang nicht mit Gewalt. Vermeiden Sie eine Überlastung.

## Aufladen des Akkus (Abb. A1, A2)

Der Akku muss vor dem ersten Gebrauch geladen werden sowie immer dann, wenn bei zuvor einfach durchzuführenden Arbeiten keine ausreichende Leistung erzielt wird. Der Akku kann beim Laden warm werden; das ist normal und deutet nicht auf ein Problem hin.

**Warnung!** Laden Sie den Akku bei Temperaturen unter 10 °C oder über 40 °C auf. Empfohlene Ladetemperatur: etwa 24 °C.

**Anmerkung:** Das Ladegerät lädt keine Akkus, wenn die Zelltemperatur unter ca. 10 °C oder über 40 °C liegt.

**Der Akku sollte im Ladegerät verbleiben, dann beginnt das Ladegerät automatisch zu laden, wenn die Zelltemperatur sich auf einen geeigneten Wert erhöht oder verringert hat.**

- ◆ Stecken Sie das Ladegerät (9) in eine normale 230 Volt/50 Hz-Steckdose.
- ◆ Schieben Sie den Akku (7) in das Ladegerät, wie in Abb. A1, A2 gezeigt.



Die LED (9a) zeigt daraufhin durch Blinken an, dass der Akku geladen wird.



Der Abschluss des Ladevorgangs wird dadurch angezeigt, dass die LED (9a) dauerhaft leuchtet. Der Akku ist vollständig aufgeladen und kann jetzt verwendet oder in der Ladestation gelassen werden.

**Warnung!** Feuergefahr. Wenn Sie den Akku vom Ladegerät trennen, ziehen Sie zuerst das Ladegerät aus der Steckdose und trennen Sie dann den Akku vom Ladegerät.

## Ladegerätdiagnose

Dieses Ladegerät wurde entwickelt, um bestimmte Probleme zu erkennen, die im Zusammenhang mit Akkus oder der Stromquelle entstehen können. Probleme werden durch eine LED angezeigt, die in verschiedenen Mustern blinkt.

## Fehlerhafter Akku



Das Ladegerät kann einen schwachen oder beschädigten Akku erkennen. Die LED blinkt mit dem auf dem Etikett angegebenen Muster. Wenn Sie dieses Blinkmuster sehen, das einen fehlerhaften Akku anzeigt, setzen Sie den Ladevorgang nicht fort. Senden Sie den Akku zum Recycling an eine Vertragswerkstatt oder eine Recyclingstelle.

## Verzögerung bei heißem/kaltem Akku



Wenn das Ladegerät einen extrem heißen oder kalten Akku erkennt, startet es automatisch eine Verzögerung bei heißem/kaltem Akku, die das Laden verhindert, bis der Akku eine normale Temperatur erreicht hat.

Danach wechselt das Ladegerät automatisch in den Akkulademodus.

Diese Funktion sorgt für eine maximale Lebensdauer des Akkus.

Das Licht blinkt mit dem auf dem Etikett angegebenen Muster.

## Akku im Ladegerät lassen

Ladegerät und Akku können miteinander verbunden bleiben, die LED leuchtet dann dauerhaft. Das Ladegerät hält den Akku dann frisch und vollständig aufgeladen. Dieses Ladegerät verfügt über einen automatischen Abstimmungsmodus, der einzelne Zellen im Akku so ausgleicht, dass sie mit Höchstkapazität funktionieren können. Akkus sollten wöchentlich oder immer dann abgestimmt werden, wenn der Akku nicht mehr die gewohnte Leistung erbringt. Um den automatischen Abstimmungsmodus zu verwenden, stecken Sie den Akku in das Ladegerät und lassen Sie ihn für mindestens 8 Stunden darin.

## Wichtige Hinweise zum Aufladen

- ◆ Die längste Lebensdauer und die beste Leistung können erhalten werden, wenn der Akku dann aufgeladen wird, wenn die Lufttemperatur zwischen 18 ° – 24 °C liegt. Laden Sie den Akku NICHT bei einer Lufttemperatur unter +4,5 °C oder über +40 °C auf. Dies ist wichtig und verhindert eine ernsthafte Beschädigung des Akkus.
- ◆ Ladegerät und Akku können sich während des Ladevorgangs warm anfühlen. Das ist normal und deutet nicht auf ein Problem hin. Um das Abkühlen des Akkus nach Gebrauch zu erleichtern, vermeiden Sie es, das Ladegerät oder den Akku in einer warmen Umgebung wie in einem Metallschuppen oder einem unisolierten Anhänger aufzubewahren.
- ◆ Wenn der Akku nicht richtig aufgeladen wird:
  - ◆ Überprüfen Sie die Funktionsfähigkeit der Steckdose durch Einstecken einer Lampe oder eines anderen Geräts;
  - ◆ Überprüfen Sie, ob die Steckdose an einen Lichtschalter angeschlossen ist, der die Stromversorgung trennt, wenn Sie das Licht ausschalten;
  - ◆ Bringen Sie Ladegerät und Akku an einen Ort, wo die umgebende Lufttemperatur etwa 18 ° – 24 °C beträgt;
  - ◆ Wenn die Ladeprobleme weiterhin bestehen, bringen Sie das Werkzeug, den Akku und das Ladegerät zu Ihrer lokalen Vertragswerkstatt.
- ◆ Der Akku sollte aufgeladen werden, wenn bei zuvor einfach durchzuführenden Arbeiten keine ausreichende Leistung erzielt wird. Unter diesen Bedingungen NICHT WEITER VERWENDEN. Beachten Sie den Ladevorgang. Sie können auch jederzeit einen teilweise verbrauchten Akku aufladen, ohne dass dies negative Auswirkungen auf den Akku hat.

- ◆ Fremdmaterialien leitender Natur wie, unter anderem, Schleifstaub, Metallspäne, Stahlwolle, Aluminiumfolie oder Ansammlungen von Metallpartikeln, sollte von Hohlräumen des Ladegeräts ferngehalten werden. Ziehen Sie den Netzstecker des Ladegerätes vor dem Reinigen aus der Steckdose.
- ◆ Das Ladegerät nicht in Wasser oder anderen Flüssigkeiten einfrieren oder darin eintauchen.

### Einsetzen und Entfernen des Akkus aus dem Werkzeug (Abb. B)

**Warnung!** Stellen Sie vor dem Einsetzen und Entfernen des Akkus sicher, dass der Verriegelungsschalter (2) eingerastet ist, um zu verhindern, dass das Werkzeug eingeschaltet wird.

Einsetzen des Akkus:

- ◆ Setzen Sie den Akku (7) in das Werkzeug ein, bis ein Klicken zu hören ist (Abb. B)

### Entfernen des Akkus aus dem Werkzeug (Abb. C)

- ◆ Drücken Sie den Akku-Löseknopf (8) wie in (Abb. C) gezeigt und ziehen Sie den Akku aus dem Werkzeug.

### Bediananweisungen

#### Auslöseschalter und Umschaltknopf (Abb. D)

- ◆ Der Bohrer wird durch Ziehen und Loslassen des Auslöseschalters (1) ein- und ausgeschaltet. Je weiter der Auslöser eingedrückt wird, desto höher ist die Geschwindigkeit des Bohrers.
- ◆ Ein Regler (2) für Rechts- oder Linksdrehung bestimmt die Drehrichtung des Werkzeugs und dient auch als Verriegelungsschalter.
- ◆ Für Rechtsdrehung (vorwärts) lassen Sie den Auslöseschalter los und drücken den Drehrichtungsknopf nach links.
- ◆ Um den Linkslauf auszuwählen, drücken Sie den Drehrichtungsknopf in die entgegengesetzte Richtung.

**Anmerkung:** In der mittleren Stellung des Reglers ist das Werkzeug in der AUS-Stellung verriegelt. Achten Sie darauf, dass der Auslöseschalter entriegelt ist, wenn Sie diesen Regler verstellen.

#### Drehmomentkontrolle (Abb. E)

Dieses Werkzeug ist mit einem Drehmomenteinstellung (3) ausgestattet, um die Betriebsart auszuwählen und das Drehmoment zum Anziehen von Schrauben einzustellen. Große Schrauben und harte Werkstückmaterialien erfordern ein höheres Drehmoment als kleine Schrauben und weiche Werkstückmaterialien.

- ◆ Zum Bohren in Holz, Metall und Kunststoff den Einstellring auf das Symbol für die Bohrposition drehen.
- ◆ Zum Eindrehen von Schrauben den Einstellring auf die gewünschte Position drehen. Wenn die richtige Einstellung noch nicht bekannt ist, gehen Sie folgendermaßen vor:

- ◆ Stellen Sie den Einstellring auf die niedrigste Drehmomenteinstellung.
- ◆ Ziehen Sie die erste Schraube an.
- ◆ Wenn die Kupplung ratscht, bevor das gewünschte Ergebnis erzielt wurde, erhöhen Sie die Einstellung des Einstellrings und ziehen Sie die Schraube weiter fest. Wiederholen Sie dies, bis die richtige Einstellung erreicht ist. Verwenden Sie diese Einstellung für die restlichen Schrauben.

#### Schnellspannfutter (Abb. F)

**Warnung!** Stellen Sie vor dem Anbringen oder Entfernen von Zubehör sicher, dass der Verriegelungsschalter (2) eingerastet ist, um zu verhindern, dass das Werkzeug eingeschaltet wird.

So setzen Sie ein Bohrerbit oder ein anderes Zubehörteil ein:

- ◆ Fassen Sie die hintere Hälfte des Spannfutters (4) mit einer Hand und drehen Sie die vordere Hälfte mit der anderen Hand vom Spannfutterende aus gesehen entgegen dem Uhrzeigersinn.
- ◆ Setzen Sie das Bit oder das entsprechende Zubehörteil vollständig in das Spannfutter ein und ziehen Sie es fest an, indem Sie die hintere Hälfte des Spannfutters festhalten und den vorderen Teil vom Spannfutterende aus gesehen im Uhrzeigersinn drehen.

**Warnung!** Versuchen Sie nicht, Bohrvorsätze (oder andere Zubehör) einzusetzen, indem Sie das Spannfutter vorne fassen und das Gerät einschalten. Beim Wechseln von Zubehör können Schäden am Spannfutter und Verletzungen auftreten.

#### Dual-Gangschaltung (Abbildung G)

Das Zweiganggetriebe an Ihrem Bohrer ermöglicht den Gangwechsel für eine größere Anpassungsfähigkeit. Zur Auswahl der niedrigen Geschwindigkeit mit hoher Drehzahl (Position 1) schalten Sie das Gerät aus und lassen es auslaufen. Schieben Sie den Gangschalter (5) vom Spannfutter weg. Zur Auswahl der hohen Geschwindigkeit mit niedriger Drehzahl (Position 2) schalten Sie das Gerät aus und lassen es auslaufen. Schieben Sie den Gangschalter in Richtung Spannfutter.

**Anmerkung:** Wechseln Sie nicht die Gänge, während das Werkzeug läuft. Bei Problemen beim Gangwechsel prüfen Sie, dass der Gangschalter entweder komplett nach vorne oder hinten geschoben ist.

#### Bohren/Schrauben

- ◆ Um den Rechts- oder Linkslauf auszuwählen, verwenden Sie den Rechts-/Links-Schieberegler (2).
- ◆ Drücken Sie zum Einschalten des Werkzeugs den Schalter (1) ein. Die Werkzeuggeschwindigkeit hängt davon ab, wie weit Sie den Schalter eindrücken.
- ◆ Zum Ausschalten des Werkzeugs lassen Sie den Schalter los.

## Hinweise für optimale Arbeitsergebnisse

### Bohren

- ◆ Verwenden Sie nur scharfe Bohrerbits.
- ◆ Stützen und sichern Sie Werkstücke angemessen ab, wie in den Sicherheitshinweisen beschrieben.
- ◆ Verwenden Sie geeignete und erforderliche Sicherheitsausrüstung, wie in den Sicherheitshinweisen beschrieben.
- ◆ Sichern Sie den Arbeitsbereich und halten Sie ihn aufgeräumt, wie in den Sicherheitshinweisen beschrieben.
- ◆ Führen Sie den Bohrer sehr langsam mit leichtem Druck in das Werkstück, bis das Loch tief genug ist, dass der Bohrer nicht mehr herausrutscht.
- ◆ Üben Sie Druck immer in gerader Linie zum Bohreinsatz aus. Üben Sie genug Druck aus, dass der Bohreinsatz schneidet, aber nicht so viel, dass der Motor abgewürgt wird oder der Bohreinsatz abrutscht.
- ◆ Halten Sie den Bohrer mit beiden Händen fest, um seine Drehwirkung zu kontrollieren.
- ◆ **DRÜCKEN SIE NICHT WIEDERHOLT DEN AUSLÖSER EINES ABGEWÜRGTEN BOHRES IN DEM VERSUCH, IHN NEU ZU STARTEN. SCHÄDEN AM BOHRER KÖNNEN DIE FOLGE SEIN.**
- ◆ Minimieren Sie die Gefahr des erneuten Abwürgens, indem Sie den Druck reduzieren und langsam durch den letzten Teil des Lochs bohren.
- ◆ Lassen Sie den Motor weiterlaufen, während Sie den Bohreinsatz aus dem Bohrloch ziehen. Das reduziert ein Verklemmen.
- ◆ Stellen Sie sicher, dass sich der Bohrer mit dem Schalter ein- und ausschalten lässt.

### Bohren in Holz

Löcher in Holz können mit den gleichen Spiralbohrerbits hergestellt werden, die für Metall verwendet werden, oder mit Flachbohrerbits. Die Bits müssen scharf sein und sollten beim Bohren häufig herausgezogen werden, um Späne aus den Rillen zu entfernen.

### Bohren in Metall

Verwenden Sie beim Bohren von Metallen ein Schneidöl. Die Ausnahmen sind Gusseisen und Messing, die trocken gebohrt werden sollten. Die am besten geeigneten Schneidschmierstoffe sind sulfuriertes Schneidöl oder Schmalzöl.

### Bohren in Mauerwerk

Stellen Sie zum Bohren in Mauerwerk den Einstellring (3) auf die Position zum Schlagbohren, indem Sie das entsprechende Symbol an der Markierung ausrichten. Schieben Sie den Drehzahlwähler (5) zur Vorderseite des Werkzeugs (2. Gang).

## Schraubendrehen

- ◆ Verwenden Sie nur Schraubendreherbits vom richtigen Typ und in der richtigen Größe.
- ◆ Wenn sich Schrauben nur schwer anziehen lassen, versuchen Sie, eine kleine Menge Spülmittel oder Seife als Schmiermittel aufzutragen.
- ◆ Halten Sie das Werkzeug und das Schraubendreherbit stets in einer geraden Linie mit der Schraube.

## Fehlerbehebung

Problem	Mögliche Ursache	Mögliche Lösung
Gerät startet nicht.	Akku nicht aufgeladen.	Ladeanforderungen für den Akku überprüfen
Akku wird nicht aufgeladen.	Ladegerät ist nicht in die Steckdose eingesteckt.  Umgebungslufttemperatur zu hoch oder zu niedrig.	Ladegerät an eine funktionierende Steckdose anschließen.  Ladegerät und Akku auf eine Umgebungstemperatur von über +4,5 °C oder unter +40,5 °C bringen.
Das Gerät schaltet sich abrupt ab.	Der Akku hat seine maximale thermische Grenze erreicht.  Akku ist nicht genügend aufgeladen. (Um die Lebensdauer des Akkus zu maximieren, wird er abrupt abgeschaltet, wenn er nicht genügend aufgeladen ist.)	Akku abkühlen lassen.  Akku mit Ladegerät verbinden und aufladen lassen.

## Wartung

Ihr BLACK+DECKER-Elektrowerkzeug wurde für langfristigen Betrieb mit minimalem Wartungsaufwand konstruiert. Ein dauerhafter, einwandfreier Betrieb setzt sorgfältige Pflege und regelmäßige Reinigung voraus. Abgesehen von der regelmäßigen Reinigung ist Ihr Ladegerät wartungsfrei.

**Warnung!** Bevor Sie Wartungsarbeiten am Werkzeug durchführen, nehmen Sie den Akku aus dem Werkzeug. Ziehen Sie vor dem Reinigen des Ladegeräts den Netzstecker.

- ◆ Reinigen Sie regelmäßig die Lüftungsschlitze Ihres Werkzeugs und Ladegeräts mit einer weichen Bürste oder einem trockenen Tuch.
- ◆ Reinigen Sie das Motorgehäuse regelmäßig mit einem feuchten Tuch. Verwenden Sie keine scheuernden Reinigungsmittel oder solche auf Lösungsmittelbasis.
- ◆ Öffnen Sie das Spannfutter regelmäßig und klopfen Sie es aus, um Staub aus dem Inneren zu entfernen.

**Umweltschutz**



Abfalltrennung. Produkte und Akkus mit diesem Symbol dürfen nicht mit dem normalen Hausmüll entsorgt werden.

Produkte und Akkus enthalten Materialien, die wiederverwertet werden können, um den Bedarf an Rohstoffen zu verringern.

Bitte recyceln Sie Elektroprodukte und Akkus gemäß den lokalen Bestimmungen. Weitere Informationen finden Sie auf [www.2helpU.com](http://www.2helpU.com)

**Technische Daten**

		BDASB18V
Spannung	V <sub>DC</sub>	18
Leerlaufdrehzahl	Min <sup>-1</sup>	0 - 360/0 - 1400
Max. Drehmoment	Nm	45
Bohrfutterspannweite	mm	1-10
Max. Bohrtiefe		
Stahl/Holz/Mauerwerk	mm	10/25/10
Gewicht	kg	0,9 (mit Akku 1,3)

Ladegerät		90589867	90590287-06	90634971
Eingangsspannung	V <sub>AC</sub>	230	230	230
Ausgangsspannung	V <sub>DC</sub>	18	18	18
Strom	mA	200	400	1A
Geschätzte Ladedauer	Stunden	8	3 - 5	1.5

		BL1518
Spannung	V <sub>AC</sub>	18
Kapazität	Ah	1.5
Typ		Li-Ion

Schalldruckpegel gemäß EN 62841:	
Schalldruck (L <sub>pa</sub> )	87.5 dB(A), Unsicherheitsfaktor (K) 5 dB(A)
Schallleistung (L <sub>wa</sub> )	98.5 dB(A), Unsicherheitsfaktor (K) 5 dB(A)

Vibration total values (triax vector sum) according to EN 62841:	
Bohren in Beton (a <sub>h,vb</sub> )	14.2 m/s <sup>2</sup> , Unsicherheitsfaktor (K) 1.5 m/s <sup>2</sup>
Bohren in Metall (a <sub>h,v</sub> )	1.1 m/s <sup>2</sup> , Unsicherheitsfaktor (K) 1.5 m/s <sup>2</sup>

**EU-Konformitätserklärung**

MASCHINENRICHTLINIE



BDASB18 - Schlagbohrer

Black & Decker erklärt, dass die unter „Technische Daten“ beschriebenen Geräte übereinstimmen mit: 2006/42/EC, EN62841-1:2015 EN62841-2-1:2018+A11:2019.

Diese Produkte entsprechen außerdem den Richtlinien 2014/30/EU und 2011/65/EU. Weitere Informationen erhalten Sie von Black & Decker unter der folgenden Adresse. Diese befindet sich auch auf der Rückseite dieser Anleitung.

Der Unterzeichnete ist verantwortlich für die Zusammenstellung des technischen Dossiers und gibt diese Erklärung im Namen von Black&Decker ab.

Ed Higgins

Director – Consumer Power Tools  
Black & Decker Europe, 270 Bath Road, Slough,  
Berkshire, SL1 4DX  
Vereinigtes Königreich  
29/11/2019

**Garantie**

Black&Decker vertraut auf die Qualität der eigenen Geräte und bietet dem Käufer eine außergewöhnliche Garantie von 24 Monaten ab Kaufdatum. Diese Garantie versteht sich unbeschadet der gesetzlichen Gewährleistungsansprüche und schränkt diese keinesfalls ein. Diese Garantie gilt innerhalb der Staatsgebiete der Mitgliedstaaten der Europäischen Union und der Europäischen Freihandelszone.

Zur Inanspruchnahme dieser Garantie muss sie den allgemeinen Geschäftsbedingungen von Black & Decker entsprechen und dem Verkäufer bzw. der Vertragswerkstatt ist ein Kaufnachweis vorzulegen.

Die Bedingungen für die 2-jährige Garantie von Black & Decker und den Standort Ihrer nächstgelegenen Vertragswerkstatt finden Sie im Internet unter [www.2helpU.com](http://www.2helpU.com) oder indem Sie sich an die lokale Black & Decker-Niederlassung wenden, deren Adresse Sie in dieser Anleitung finden.

Ihr neues Black & Decker-Produkt können Sie auf unserer Website unter [www.blackanddecker.de](http://www.blackanddecker.de) registrieren. Dort erhalten Sie auch Informationen über neue Produkte und Sonderangebote.



## Tilsigtet brug

Din BLACK+DECKER BDASB18V - slagboremaskine er blevet udformet til skruningsopgaver og til boring i træ, metal og murværk. Dette værktøj er kun beregnet til forbrugeranvendelse.

## Sikkerhedsinstruktioner

### Generelle sikkerhedsadvarsler for elværktøj



**ADVARSEL** Læs alle sikkerhedsadvarsler, instruktioner, illustrationer og specifikationer, der følger med dette el-værktøj. Hvis nedenstående advarsler og instruktioner ikke følges, er der risiko for elektrisk stød, brand og/eller alvorlige kvæstelser.

**Gem alle advarsler og instruktioner til fremtidig reference.** Udtrykket "elværktøj" i alle advarslerne angivet herunder henviser til dit strømbetjente (ledningsførte) elværktøj eller dit batteridrevne (ledningsfri) elværktøj.

#### 1. Sikkerhed på arbejdsområdet

- Hold arbejdsområdet rent og godt belyst.** Rodede eller mørke områder giver anledning til ulykker.
- Brug ikke elværktøj i områder med eksplosionsfare som f.eks. nær letantændelige væsker, gasser eller støv.** Elektrisk værktøj danner gnister, som kan antænde støv eller dampe.
- Hold børn og tilskuere væk, mens du betjener et elværktøj.** Distraktioner kan få dig til at miste kontrol.

#### 2. Elektrisk sikkerhed

- Elværktøjsstik skal passe til stikkontakten. Stikket må på ingen måde modificeres. Brug ikke adapterstik med jordforbundne (tilsluttede) elværktøjer.** Ikke-modificerede stik og tilsvarende stikkontakter reducerer risikoen for stød.
- Undgå kropskontakt med jordforbundne overflader såsom rør, radiatorer, komfurer og køleskabe.** Der er en forøget risiko for elektrisk stød, hvis din krop får jordforbindelse.
- Elværktøjer må ikke udsættes for regn eller fugt.** Vand, der trænger ind i et elværktøj, øger risikoen for stød.
- Misbrug ikke ledningen.** Ledningen må aldrig bruges til at bære, trække eller frakoble elværktøjet. Hold ledningen væk fra varme, olie, skarpe kanter eller dele i bevægelse. Beskadede eller sammenfiltrede ledninger øger risikoen for stød.
- Under betjening af et elværktøj udendørs skal du bruge en forlængerledning, der er velegnet til udendørs brug.** Ved brug af en ledning, der er velegnet til udendørs brug, reduceres risikoen for elektrisk stød.

- Brug en strømkilde med fejlstrømsrelæ, hvis det er nødvendigt at anvende elværktøj på fugtige steder.** Ved at benytte en fejlstrømsafbryder reduceres risikoen for elektrisk stød.

#### 3. Personlig sikkerhed

- Vær opmærksom, hold øje med hvad du gør, og brug almindelig sund fornuft, når du anvender et elværktøj.** Brug ikke et elværktøj, når du er træt eller påvirket af stoffer, alkohol eller medicin. Et øjeblik uopmærksomhed under betjening af elværktøj kan forårsage alvorlige personskader.
  - Anvend personligt beskyttelsesudstyr. Anvend altid øjenbeskyttelse.** Beskyttelsesudstyr såsom støvmaske, skridsikre sikkerhedssko, hjelm eller høreværn, der bruges til passende forhold, reducerer personskader.
  - Undgå utilsigtet start. Sørg for, at kontakten er i sluk-position, inden du tilslutter strømkilden og/eller batteripakken, tager værktøjet op eller bærer det.** Hvis du bærer elværktøj med din finger på kontakten eller strømfører elværktøj, der har kontakten tændt, kan der nemt ske ulykker.
  - Fjern evt. justeringsnøgle, inden du tænder for elværktøjet.** En nøgle, der efterlades fastgjort til en roterende del af elværktøjet, kan resultere i personskade.
  - Ræk ikke for langt. Bevar altid et godt fodfæste og en god balance.** Dette giver bedre kontrol over elværktøjet i uventede situationer.
  - Klæd dig ordentligt på. Undlad at bære løstsiddende tøj eller smykker. Hold hår, tøj og handsker væk fra dele i bevægelse.** Løstsiddende tøj, smykker eller langt hår kan blive fanget i bevægelige dele.
  - Hvis der leveres enheder til tilslutningen af støvudsugnings- og opsamlingsudstyr, skal du sørge for, at disse tilsluttes og anvendes korrekt.** Brug af støvopsamling kan reducere støvrelaterede farer.
  - Lad ikke kendskab, der opnås ved hyppig brug af værktøjer, give dig mulighed for at blive selvtilfredse og ignorere værktøjets sikkerhedsprincipper.** En skødesløs handling kan forårsage alvorlig skade inden for en brøkdæl af et sekund.
- #### 4. Brug og pleje af elværktøj
- Tving ikke elværktøjet. Brug det korrekte elværktøj til dit arbejde.** Det korrekte elværktøj vil udføre arbejdet bedre og mere sikkert i den hastighed, det blev udviklet til.
  - Brug ikke elværktøjet, hvis kontakten ikke tændes og slukkes.** Ethvert elværktøj, der ikke kan kontrolleres med kontakten, er farligt og skal repareres.
  - Tag stikket ud af strømkilden og/eller batteripakken ud af elværktøjet, inden du foretager justeringer, udskifter tilbehør eller opbevarer elværktøjer.** Disse forebyggende sikkerhedsforanstaltninger reducerer

risikoen for at starte elværktøj ved et uheld.

- d. **Opbevar elektrisk værktøj uden for rækkevidde af børn, og tillad ikke personer, som ikke er bekendt med elværktøjet eller disse anvisninger, at betjene elværktøjet.** Elværktøjet er farlige i hænderne på uøvede brugere.
  - e. **Vedligehold elværktøj. Se efter fejlindstilling eller binding af dele i bevægelse, ødelæggelse af dele og andre tilstande, som kan påvirke elværktøjernes betjening. Hvis de beskadiges, skal elværktøjet repareres inden brug.** Mange ulykker skyldes dårligt vedligeholdte elværktøjer.
  - f. **Hold skæreværktøjer skarpe og rene.** Korrekt vedligeholdte skæreværktøjer med skarpe skærekanter har mindre sandsynlighed for at binde og er nemmere at styre.
  - g. **Brug elværktøjet, tilbehøret og værktøjsbor osv. i overensstemmelse med disse anvisninger, mens du tager hensyn til arbejdsforholdene og det arbejde, der skal udføres.** Brug af elværktøjet til andre opgaver end de beregnede kan resultere i en farlig situation.
  - h. **Hold håndtagene og gribe overfladerne tørre, rene og fri for olie og fedt.** Glatte håndtag og gribende overflader tillader ikke sikker håndtering og kontrol af værktøjet i uventede situationer.
5. **Brug og pleje af batteriværktøj**
    - a. **Genoplad kun med opladeren specificeret af producenten.** En oplader, der er velegnet til én type batteripakke, kan give risiko for brand, når den bruges med en anden batteripakke.
    - b. **Brug kun elværktøj med batteripakker, der er beregnet specifikt til dette.** Bruges andre batteripakker, kan der opstå fare for personskade og brand.
    - c. **Når batteripakken ikke er i brug, skal den holdes på afstand af andre metalgenstande, såsom papirclips, mønter, nøgler, søm, skruer eller andre små metalgenstande, der kan skabe en forbindelse fra den ene terminal til den anden.** Kortslutning mellem batteriterminaler kan forårsage forbrændinger eller en brand.
    - d. **Under grove forhold kan der muligvis blive udskudt væske fra batteriet; undgå kontakt.** Hvis der utilsigtet opstår kontakt, skal der skylles med vand. Hvis væske kommer i kontakt med øjne, bør der derudover søges lægehjælp. Væske fra batteriet kan forårsage irritation eller forbrændinger.
    - e. **Brug ikke en batteripakke eller værktøj, der er beskadiget eller ændret.** Beskadigede eller modificerede batterier kan udvise en uforudsigelig opførsel, der resulterer i brand, eksplosion eller risiko for personskade.
    - f. **Udsæt ikke en batteripakke eller værktøj for brand eller for høj temperatur.** Udsættelse for brand eller temperatur over 130 ° C kan forårsage eksplosion.

**BEMÆRK** Temperaturen "130 ° C" kan erstattes af temperaturen "265 ° F".

- g. **Følg alle opladningsinstruktioner, og lad ikke batteripakken eller værktøjet oplades uden for det temperaturområde, der er angivet i instruktionerne.** Opladning forkert eller ved temperaturer uden for det specificerede område kan beskadige batteriet og øge risikoen for brand.
6. **Service**
    - a. **Få en kvalificeret reparatør til at foretage service på dit elværktøj, udelukkende med identiske reservedele.** Dette sikrer, at elværktøjets sikkerhed bevares.
    - b. **Brug aldrig beskadigede batteripakker.** Service af batteripakker skal kun udføres af producenten eller autoriserede tjenestedydere.

### Yderligere sikkerhedsadvarsler for elværktøj



**Advarsel!** Yderligere sikkerhedsadvarsler for boremaskiner

- ◆ **Brug ørebeskyttere ved slagboring. Eksposering for støj kan forårsage høretab.**
- ◆ **Brug hjælpéhåndtag, der fulgte med værktøjet.** Tab af kontrol kan forårsage personskade.
- ◆ **Afstiv værktøjet korrekt inden brug. Dette værktøj producerer et højt udgangsmoment, og uden korrekt afstivning af værktøjet under drift, kan kontroltab forekomme, der resulterer i personskade.**
- ◆ **Hold elværktøj i de isolerede gribeflader, når du udfører en opgave, hvor skæretilbehøret kan komme i kontakt med skjulte ledninger.** Hvis skæretilbehøret kommer i kontakt med en strømførende ledning, kan det gøre blottede metaldele på værktøjet strømførende, hvilket kan give operatøren et elektrisk stød.
- ◆ **Hold elværktøj i de isolerede gribeflader, når du udfører en opgave, hvor fastgørelseselementet kan komme i kontakt med skjulte ledninger.** Hvis fastgørelseselementer kommer i kontakt med en strømførende ledning, kan det gøre blottede metaldele på værktøjet strømførende, hvilket kan give operatøren et elektrisk stød.

### Sikkerhedsinstruktioner ved brug af lange bor

- ◆ **Arbejd aldrig med højere hastighed end den maksimale hastighedsklassificering af borekronen.** Ved højere hastigheder vil bits sandsynligvis bøjes, hvis det får lov at rotere frit uden at komme i berøring med emnet, hvilket resulterer i personskade.
- ◆ **Begynd altid med at bore i lav hastighed og med bitspidsen i kontakt med emnet.**



Ved højere hastigheder vil bits sandsynligvis bøjes, hvis det får lov at rotere frit uden at komme i berøring med emnet, hvilket resulterer i personskade.

- ◆ **Anvend kun tryk i direkte linje med biten, og læg ikke for stort tryk.** Bit kan bøje og forårsage brud eller tab af kontrol, hvilket resulterer i personskade.
- ◆ **Brug klampen eller en anden praktisk måde at sikre og støtte arbejdsområdet på en stabil platform.** Hvis du holder arbejdsområdet i hånden eller mod din krop, bliver det ustabil, hvilket kan føre til tab af kontrol.
- ◆ **Inden du borer i vægge, gulve eller lofter, skal du se efter placeringen af ledninger og rør.**
- ◆ **Undgå at berøre spidsen af et borehoved lige efter at have boret, da det kan være meget varmt.**
- ◆ **Den beregnede brug er beskrevet i denne brugsvejledning.** Hvis du bruger tilbehør eller udfører handlinger med dette værktøj, der ikke anbefales i denne brugsvejledning, kan det udgøre en risiko for personskade og/eller beskadigelse af ejendom.

## Andres sikkerhed

- ◆ Dette værktøj er ikke beregnet til at blive anvendt af personer (herunder børn) med reducerede fysiske, sansemæssige eller mentale evner, eller manglende erfaring og viden, med mindre de er under opsyn eller har fået vejledning i værktøjets brug af en person, som er ansvarlig for deres sikkerhed.
- ◆ Børn bør holdes under opsyn for at sikre, at de ikke leger med apparatet.

## Residualrisici

Yderligere residualrisici kan opstå, når værktøjet bruges, hvilket muligvis ikke er inkluderet i de medfølgende sikkerhedsadvarsler. Disse risici kan opstå i forbindelse med misbrug, længerevarende brug osv.

Selv med anvendelsen af de relevante

sikkerhedsbestemmelser og implementeringen af sikkerhedsanordninger kan visse residualrisici ikke undgås.

Disse omfatter:

- ◆ Personskader forårsaget ved berøring af roterende dele/dele i bevægelse.
- ◆ Personskader forårsaget ved udskiftning af dele, klinger eller tilbehør.
- ◆ Personskader forårsaget af længerevarende brug af et værktøj. Når du bruger et værktøj gennem længere perioder, bør du sørge for at tage regelmæssige pauser.
- ◆ Nedsat hørelse.
- ◆ Sundhedsfarer forårsaget af indånding af støv, der udvikles under brug af dit værktøj (f.eks.: -arbejde med træ, især eg, bøg og MDF.)

## Vibration

De erklærede vibrationsemissionsværdier angivet i de tekniske data og overensstemmelseserklæringen er blevet målt i overensstemmelse med en standardtestmetode ifølge EN 62841 og kan bruges til at sammenligne et værktøj med et andet. Den erklærede vibrationsemissionsværdi kan også bruges i en indledende eksponeringsvurdering. **Advarsel!** Vibrationsemissionsværdien under den reelle brug af elværktøjet kan variere fra den erklærede værdi, afhængigt af de måder værktøjet bruges på. Vibrationsniveauet kan stige til over det angivne niveau.

Under vurdering af vibrationseksponering for at afgøre sikkerhedsforanstaltninger, der kræves af 2002/44/EF for at beskytte personer, der bruger elværktøj regelmæssigt til arbejde, bør en estimering af vibrationseksponering tage hensyn til de reelle forhold, værktøjet bruges under, herunder alle dele af driftscyklussen, såsom de gange, værktøjet slukkes, og når det kører i tomgang ud over udløsertiden.

## Mærkatere på værktøjet

De følgende symboler vises på værktøjet ud over datokoden:



**Advarsel!** For at reducere risikoen for kvæstelser bør brugeren læse brugervejledningen.



Brug ørebeskyttere med slagbøremaskiner. Eksponering for støj kan forårsage høretab.



Stær ikke på betjeningslampen

## Yderligere sikkerhedsinstruktioner for batterier og opladere

### Batterier

- ◆ Forsøg aldrig at åbne det af nogen årsag.
- ◆ Batteriet må ikke udsættes for vand.
- ◆ Opbevar det ikke på steder, hvor temperaturen kan overskride 40 °C.
- ◆ Må kun oplades ved omgivende temperaturer mellem 10 °C og 40 °C.
- ◆ Må kun oplades med den oplader, der fulgte med værktøjet.
- ◆ Ved bortskaffelse af batterier skal du følge instruktionerne i afsnittet "Beskyttelse af miljøet".



Gør ingen forsøg på at oplade beskadigede batterier.

### Opladere

- ◆ Brug kun din BLACK+DECKER-oplader til at oplade batteriet, der fulgte med værktøjet. Andre batterier kan sprænge og forårsage personskade og beskadigelse.
- ◆ Forsøg aldrig at oplade ikke-genopladelige batterier.

- ◆ Få defekte ledninger udskiftes med det samme.
- ◆ Opladeren må ikke udsættes for vand.
- ◆ Opladeren må ikke åbnes.
- ◆ Opladeren må ikke udforskes.



Opladeren er kun beregnet til indendørs anvendelse.



Læs betjeningsvejledningen før brug.

### Elektrisk sikkerhed



Din oplader er dobbelt isoleret, og der er derfor ikke brug for nogen jordleder. Kontrollér altid, at netspændingen stemmer overens med spændingen på ydelsesskiltet. Forsøg aldrig at udskifte opladerenheden med et almindeligt netstik.

- ◆ Hvis forsyningsledningen er beskadiget, skal den udskiftes af producenten eller et autoriseret BLACK+DECKER-servicecenter for at undgå en fare.

### Funktioner

Dette værktøj indeholder nogle eller alle af følgende funktioner.

1. Udløser med variabel hastighed
2. Frøm/tilbage-skyder
3. Momentjusteringskrave
4. Nøglefri borepatron
5. Gearing med dobbelt område
6. LED-arbejdslys
7. Batteri
8. Batteriudløserknop

### Montering

### Brug

**Advarsel!** Lad værktøjet arbejde i dets eget tempo. Overbelast det ikke.

### Opladning af batteriet (fig. A1, A2)

Batteriet skal oplades inden første brug, og hver gang det ikke kan producere tilstrækkelig strøm til opgaver, der nemt kunne udføres før. Batteriet kan blive varmt under opladning; dette er normalt og er ikke et tegn på et problem.

**Advarsel!** Oplad ikke batteriet ved omgivende temperaturer under 10 °C eller over 40 °C.

Anbefalet opladningstemperatur: ca. 24 °C.

**Bemærk:** Opladeren kan ikke oplade et batteri, hvis celledtemperaturen er under ca. 10 °C eller over 40 °C.

Batteriet bør efterlades i opladeren, og opladeren begynder automatisk at oplade, når celledtemperaturen opvarmes eller nedkøles.

- ◆ Slut opladeren (9) til en almindelig stikkontakt på 230 volt og 50 Hz.
- ◆ Skub batteripakken (7) ind i opladeren, som vist i fig. A1, A2.



LED-lampen (9a) blinker for at indikere, at batteriet bliver opladet.



Når opladningen er færdig, indikeres det af LED-lampen (9a), som vil lyse konstant.

Batteripakken er fuldt opladet og kan nu anvendes eller kan efterlades i opladeren.

**Advarsel!** brandfare. Når batteriet fjernes fra opladeren, skal du sørge for først at trække opladeren ud af stikkontakten og derefter tage batteriet ud af opladeren.

### Opladerdiagnostik

Opladeren er udformet til at detektere visse problemer, som kan opstå med batteripakkerne eller strømkilden. Problemer indikeres af én LED-lampe, der blinker i forskellige mønstre.

### Dårligt batteri



Opladeren kan detektere et svagt eller beskadiget batteri. LED-lampen blinker i det mønster, der indikeres på mærket. Hvis du ser dette blinkmønster for dårligt batteri, skal du lade være med at fortsætte batteriopladningen. Send det tilbage til et servicecenter eller til en genbrugsplads.

### Varm/kold pakkeforsinkelse



Når opladeren registrerer et batteri, der er alt for varmt eller koldt, starter den automatisk en varm/kold pakkeforsinkelse og suspenderer opladningen, indtil batteriet er blevet normaliseret. Efter dette sker, skifter opladeren automatisk til pakkeopladningstilstand. Denne funktion sikrer maksimal batterilevetid.

Lampen blinker i det mønster, der indikeres på mærket.

### Efterladelse af batteriet i opladeren

Opladeren og batteripakken kan efterlades tilsluttet med LED-lampen tændt på ubestemt tid. Opladeren holder batteripakken frisk og helt opladet. Denne oplader har en automatisk optuningstilstand, som svarer til eller udligner de individuelle celler i batteripakken, så den kan fungere ved maksimal kapacitet.

Batteripakker bør optunes hver uge, eller hver gang batteriet ikke længere leverer den samme mængde arbejde. For at bruge den automatiske optuningstilstand skal du placere batteripakken i opladeren og lade den sidde i mindst 8 timer.

### Vigtige opladningsbemærkninger

- ◆ Den længste levetid og bedste ydeevne kan opnås, hvis batteripakken oplades, når lufttemperaturen er mellem 18 ° – 24 °C.

Oplad IKKE batteripakken i en lufttemperatur under +4.5 °C), eller over +40 °C. Dette er vigtigt og forhindrer alvorlig beskadigelse af batteripakken.

- ◆ Opladeren og batteripakken kan blive varme at røre ved under opladning. Dette er en normal tilstand og er ikke et tegn på et problem. For at lette afkølingen af batteripakken efter brug skal du undgå at placere opladeren eller batteripakken i et varmt miljø, såsom i et metallisk skur eller en uisoleret trailer.
- ◆ Hvis batteripakken ikke oplades korrekt:
  - ◆ Kontrollér stikkontaktens drift ved at tilslutte en lampe eller et andet apparat;
  - ◆ Se efter, om stikkontakten er sluttet til en lysafbryder, der slukkes, når du slukker for lyset;
  - ◆ Flyt opladeren eller batteripakken til et sted, hvor den omgivende lufttemperatur er ca. 18 ° – 24 °C;
  - ◆ Hvis opladningsproblemerne fortsætter, skal du tage værktøjet, batteripakken og din oplader hen til dit lokale servicecenter.
- ◆ Batteripakken bør genoplades, når den ikke producerer tilstrækkelig strøm til opgaver, der nemt kunne udføres før. FORTSÆT IKKE MED AT BRUGE DEN under disse forhold. Følg opladningsproceduren. Du kan også oplade en delvist brugt pakke når som helst, uden at det har en negativ indvirkning på batteripakken.
- ◆ Fremmedlegemer af en ledende type, såsom, men ikke begrænset til, slibestøv, metalspåner, ståluld, aluminiumsfolie eller opbygning af metalliske partikler bør holdes væk fra opladerhulrum. Tag opladeren ud af stikket, før du forsøger at rense den.
- ◆ Opladeren må ikke fryses ned eller nedsænkes i vand eller anden væske.

### Isætning og udtagning af batteripakken fra værktøjet (fig. B)

**Advarsel!** Sørg for, at spærreknappen (2) er aktiveret for at forhindre kontaktaktivering, inden du udtager eller isætter batteriet.

Sådan isættes batteripakken:

- ◆ Isæt batteripakken (7) i værktøjet indtil der høres et lydklik (fig. B)

### Udtagning af batteripakken fra værktøjet (fig. C)

- ◆ Hold batteriudløserknappen (8) nede, som vist i (fig. C), og træk batteripakken ud af værktøjet.

### Driftsinstruktioner

#### Udløserknap og tilbage-knap (fig. D)

- ◆ Boremaskinen tændes og slukkes ved at trække og slippe udløserknappen (1). Jo mere udløseren trykkes ned, des højere er boremaskinens hastighed.

- ◆ En frem/tilbage-kontrolknap (2) afgør værktøjets retning og fungerer som spærreknapp.
- ◆ For at vælge fremad rotation skal du slippe udløserknappen og trykke frem/tilbage-kontrolknappen til venstre.
- ◆ For at vælge tilbage skal du trykke frem/tilbage-kontrolknappen den modsatte retning.

**Bemærk:** Kontrolknappens midterposition låser værktøjet i sluk-position. Når kontrolknappens position ændres, skal du sikre dig, at udløseren slippes.

#### Momentkontrol (fig.E)

Dette værktøj er udstyret med en momentjusteringskrave (3) for at vælge driftstilstanden og indstille momentet til spænding af skruer. Store skruer og hårde arbejdsstykkematerialer kræver en højere momentindstilling end små skruer og hårde arbejdsstykkematerialer.

- ◆ Ved boring i træ, metal og plast skal kraven stilles til borepositionssymbolet
- ◆ Ved skruring skal kraven stilles på den ønskede indstilling. Hvis du endnu ikke kender den passende indstilling, bør du gøre følgende:
- ◆ Stil kraven til den laveste momentindstilling.
- ◆ Stram den første skrue.
- ◆ Hvis borepatronen skifter, inden det ønskede resultat er opnået, skal du øge kraveindstillingen og fortsætte spændingen af skruen. Gentag, indtil du når den korrekte indstilling. Brug denne indstilling til de resterende skruer.

#### Nøglefri borepatron (fig. F)

**Advarsel!** Sørg for, at spærreknappen (2) er aktiveret for at forhindre kontaktaktivering, inden du installerer eller fjerner tilbehør.

Sådan isættes et borehoved eller et andet tilbehør:

- ◆ Tag fat i den bageste halvdel af borepatronen (4) med den ene hånd, og brug den anden hånd til at rotere den forreste halvdel mod urets retning, set fra borepatronens ende.
- ◆ Sæt boret eller et andet tilbehør helt ind i borepatronen, og stram godt ved at holde i den bageste halvdel af borepatronen og rotere den første del med uret, set fra borepatronens ende.

**Advarsel!** Forsøg ikke at stramme borehoveder(eller andet tilbehør) ved at tage fat i den forreste del af borepatronen og tænde for værktøjet. Beskadigelser af borepatronen og personskaade kan opstå ved udskiftning af tilbehør.

#### Gearing med dobbelt område (Figur G)

Funktionen med dobbelt område i din boremaskine gør det muligt at skifte gear for større alsidighed. For at vælge lav hastighed, høj momentindstilling (position 1), skal du slukke for værktøjet og lade det stoppe. Skub gearskifterknappen (5) væk fra borepatronen. For at vælge høj hastighed, lav momentindstilling (position 2), skal du slukke for værktøjet og lade det stoppe.

Skub gearskifterknappen med borepatronen.

**Bemærk:** Skift ikke gear, når værktøjet kører. Hvis du har problemer med at skifte gear, skal du sørge for, at knappen til dobbelt område enten er trykket helt frem eller trykket helt tilbage.

### Boring/skruning

- Vælg fremad eller tilbage-rotation ved hjælp af frem/tilbage-skyderen (2).
- Tryk på kontakten (1) for at tænde for værktøjet. Værktøjets hastighed afhænger af, hvor langt du trykker kontakten ind.
- Slip kontakten for at slukke for værktøjet.

### Tips til optimal brug

#### Boring

- Brug kun skarpe borehoveder.
- Støt og sikr arbejdet korrekt, som angivet i sikkerhedsinstruktionerne.
- Brug passende og påkrævet sikkerhedsudstyr, som angivet i sikkerhedsinstruktionerne.
- Sikr og vedligehold arbejdsområdet korrekt, som angivet i sikkerhedsinstruktionerne.
- Kør boret meget langsomt med et let tryk, indtil hullet er startet nok til at undgå, at borehovedet glider ud af det.
- Påfør tryk i en lige linje med boremaskinen. Brug nok tryk til at holde boremaskinen i gang, men ikke så meget, at motoren staller, eller at boret afbøjes.
- Hold boremaskinen godt fast med to hænder for at kontrollere dens drejehandling.
- UNDLAD AT TÆNDE OG SLUKKE PÅ UDLØSEREN AF EN STALLET BOREMASKINE I ET FORSØG PÅ AT STARTE DEN. DET KAN RESULTERE I BESKADIGELSE AF BOREMASKINEN.
- Minimer stalling ved gennembrud ved at reducere trykket og langsomt bore gennem den sidste del af hullet.
- Hold motoren i gang, mens du trækker boret ud af et boret hul. Dette hjælper med at reducere fastklemning.
- Sørg for, at kontakten tænder og slukker for boremaskinen.

#### Boring i træ

Huller i træ kan laves med de samme snoede borehovedet, der bruges til metal, eller med spadeborehoveder. Disse borehoveder bør være skarpe og skal trækkes ud jævnlige, når der bores til klare spåner fra sporene.

#### Boring i metal

Brug et skæresmøremiddel, når du borer i metaller. Undtagelserne er støbejern og messing, som skal bores tørt. Det skæresmøremiddel, der virker bedst, er svovlholdig skæreolie eller lardolie.

### Boring i murværk

Ved boring i murværk skal du stille kraven (3) i hammerboreposition ved at justere symbolet til mærket. Skub hastighedsvælgeren (5) mod forsiden af værktøjet (2. gear).

### Skruning

- Brug altid den korrekte type og størrelse skruetrækkerbor.
- Hvis skruer er svære at stramme, kan du forsøge at påføre en lille mængde opvaskemiddel eller sæbe som et smøremiddel.
- Hold altid værktøjet og skruetrækkerklingen i en lige linje med skruen

### Fejlsøgning

Problem	Mulig årsag	Mulig løsning
Enhed starter ikke.	Batteripakke ikke opladet.	Kontrollér opladningskrav til batteripakke
Batteripakke kan ikke oplades.	Oplader ikke tilsluttet.  Den omgivende lufttemperatur er for varm eller for kold.	Slut opladeren til en fungerende stikkontakt.  Flyt opladeren og batteripakken til en omgivende lufttemperatur på over 40 grader F (4,5°C) eller under 105 grader F (+40,5°C)
Enheden slukkes brat.	Batteripakken har nået sin maksimale termiske grænse.  Uden opladning. (For at maksimere batteripakkens levetid er den udformet til at slukke brat, når opladningen er opbrugt)	Lad batteripakken køle ned.  Anbring på en oplader, og lad den blive opladet.

### Vedligeholdelse

Dit BLACK+DECKER-værktøj med eller uden ledninger er blevet udformet til at fungere gennem en lang periode med en minimal vedligeholdelse. Kontinuerlig tilfredsstillende drift afhænger af korrekt værktøjspleje og regelmæssig rengøring.

Din oplader kræver ingen vedligeholdelse ud over regelmæssig rengøring.

**Advarsel!** Inden du foretager vedligeholdelse af et værktøj, skal du tage batteriet ud af værktøjet. Tag opladeren ud af stikket, før du rengør det.

- Rengør regelmæssigt ventilationshullerne i dit værktøj og din oplader med en blød børste eller tør klud.
- Rengør motorhuset regelmæssigt med en fugtig klud. Brug ikke et slibende eller opløsningsbaseret rengøringsmiddel.
- Åbn regelmæssigt borepatronen, og bank på den for at fjerne evt. støv fra indersiden.

## Beskyttelse af miljøet



Særskilt indsamling af affald. Produkter og batterier markeret med dette symbol må ikke bortkaffes sammen med normalt husholdningsaffald.

Produkter og batterier indeholder materialer, der kan genindvindes eller genbruges, så behovet for råmaterialer reduceres.

Du bedes genbruge elektriske produkter og batterier i overensstemmelse med lokale bestemmelser. Yderligere oplysninger er tilgængelige på [www.2helpU.com](http://www.2helpU.com)

## Tekniske data

		BDASB18
Spænding	$V_{DC}$	18
Ubelastet hastighed	Min <sup>-1</sup>	0 - 360/0 - 1400
Maks. moment	Nm	45
Borepatronkapacitet	mm	1 - 10
Maks. boreeffekt		
Stål/træ/Murværk	mm	10/25/10
Vægt	kg	0,9 (med batteri 1.3)

Oplader		90589867	90590287 -06	90634971
Indgangsspænding	$V_{AC}$	230	230	230
Udgangsspænding	$V_{DC}$	18	18	18
Strøm	mA	200	400	1A
Ca. opladningstid	Timer	8	3 - 5	1,5

		BL1518
Spænding	$V_{AC}$	18
Kapacitet	Ah	1,5
Type		Li-Ion

Niveau af lydtryk ifølge EN 62841:
Lydtryk ( $L_{pA}$ ) 87.5 dB(A), usikkerhed (K) 5 dB(A)
Lydeffekt ( $L_{WA}$ ) 98.5 dB(A), usikkerhed (K) 5 dB(A)

Samlede vibrationsværdier (triax vektor-sum) ifølge EN 62841:
Boring i beton ( $a_{h,ISO}$ ) 14.2 m/s <sup>2</sup> , usikkerhed (K) 1.5 m/s <sup>2</sup>
Boring i metal ( $a_{h,ISO}$ ) 1.1 m/s <sup>2</sup> , usikkerhed (K) 1.5 m/s <sup>2</sup>

## EF-overensstemmelseserklæring

MASKINDIREKTIV



BDASB18 - Slagboremaskine

Black & Decker erklærer, at disse produkter beskrevet under "tekniske data" er i overensstemmelse med: 2006/42/EC, EN62841-1:2015 EN62841-2-1:2018+A11:2019.

Disse produkter er også i overensstemmelse med direktiv 2014/30/EU og 2011/65/EU. For yderligere oplysninger bedes du kontakte Black & Decker på følgende adresse eller se bagest i vejledningen.

Undertegnede er ansvarlig for kompileringen af den tekniske fil og foretager denne erklæring på vegne af Black & Decker.

Ed Higgins

Director – Consumer Power Tools  
Black & Decker Europe, 270 Bath Road, Slough,  
Berkshire, SL1 4DX  
Storbritannien  
29/11/2019

## Garanti

Black & Decker er sikker på kvaliteten af deres produkter og tilbyder forbrugere en garanti på 24 måneder fra købsdatoen. Denne garanti er en tilføjelse til dine lovbestemte rettigheder. Garantien er gyldig inden for medlemsstaterne af Den Europæiske Union og Det Europæiske Frihandelsområde. For at gøre krav på denne garanti skal kravet være i overensstemmelse med Black & Decker's vilkår og betingelser, og du skal indsende bevis på købet til sælgeren eller en autoriseret reparationsrepræsentant. Vilkår og betingelser for Black & Decker-garantien på 2 år og beliggenheden af din nærmeste autoriserede reparationsrepræsentant kan fås på internettet på adressen [www.2helpU.com](http://www.2helpU.com) eller ved at kontakte dit lokale Black&Decker-kontor på adressen, der er angivet i denne vejledning.

Gå ind på vores website [www.blackanddecker.co.uk](http://www.blackanddecker.co.uk) for at registrere dit nye Black & Decker-produkt og modtage opdateringer om nye produkter og særtilbud.

## Uso previsto

Su taladro BLACK+DECKER BDASB18V ha sido diseñado para aplicaciones de atornillado y para taladrar en madera, metal y paredes. Esta herramienta está diseñada únicamente para uso del consumidor.

## Instrucciones de seguridad

### Advertencias de seguridad generales para herramientas eléctricas



**ADVERTENCIA** Lea todas las advertencias de seguridad, instrucciones, ilustraciones y especificaciones provistas con esta herramienta eléctrica. El incumplimiento de las advertencias e instrucciones indicadas a continuación puede provocar una descarga eléctrica, un incendio y/o lesiones graves.

**Guarde todas las advertencias e instrucciones para poder consultarlas en el futuro.** El término "herramienta eléctrica" que aparece en las advertencias se refiere a la herramienta eléctrica que funciona a través de la red eléctrica (con cable) o a la herramienta eléctrica que funciona con batería (sin cable).

#### 1. Seguridad en la zona de trabajo

- a. **Mantenga su área de trabajo limpia y bien iluminada.** Las áreas desordenadas u oscuras pueden provocar accidentes.
- b. **No utilice herramientas eléctricas en atmósferas explosivas, como ambientes donde haya polvo, gases o líquidos inflamables.** Las herramientas eléctricas originan chispas que pueden inflamar el polvo o los gases.
- c. **Mantenga alejados a los niños y a las personas que estén cerca mientras utiliza una herramienta eléctrica.** Las distracciones pueden ocasionar que pierda el control.

#### 2. Seguridad eléctrica

- a. **Los enchufes de las herramientas eléctricas deben corresponderse con la toma de corriente. No modifique nunca el enchufe de ninguna forma. No utilice ningún enchufe adaptador con herramientas eléctricas conectadas a tierra.** Los enchufes no modificados y las tomas de corriente correctas reducen el riesgo de descarga eléctrica.
- b. **Evite el contacto del cuerpo con superficies conectadas a tierra como tuberías, radiadores, cocinas económicas y frigoríficos.** Existe un mayor riesgo de descarga eléctrica si tiene el cuerpo conectado a tierra.
- c. **No exponga las herramientas eléctricas a la lluvia ni a la humedad.**

Si entra agua en una herramienta eléctrica, aumenta el riesgo de descarga eléctrica.

- d. **No use el cable de alimentación en modo inapropiado. No use nunca el cable para transportar, tirar o desenchufar la herramienta eléctrica. Mantenga el cable alejado del calor, aceite, bordes afilados y piezas en movimiento.** Los cables dañados o enredados aumentan el riesgo de descarga eléctrica.
- e. **Cuando esté utilizando una herramienta eléctrica al aire libre, use un cable alargador adecuado para uso en exteriores.** La utilización de un cable adecuado para el uso en exteriores reduce el riesgo de descarga eléctrica.
- f. **Si no puede evitar utilizar una herramienta eléctrica en un lugar húmedo, use un suministro protegido con un dispositivo de corriente residual (RCD).** El uso de un dispositivo de corriente residual reduce el riesgo de descarga eléctrica.

#### 3. Seguridad personal

- a. **Manténgase alerta, esté atento a lo que hace y use el sentido común cuando utilice una herramienta eléctrica. No utilice una herramienta eléctrica cuando esté cansado o bajo los efectos de drogas, medicamentos o alcohol.** Un momento de desatención cuando se utilizan herramientas eléctricas puede ocasionar lesiones personales graves.
- b. **Use un equipo protector personal. Utilice siempre protección ocular.** El uso de equipo protector como mascarillas antipolvo, calzado antideslizante, casco o protección auditiva para condiciones apropiadas reducirá las lesiones personales.
- c. **Evite la puesta en funcionamiento involuntaria. Asegúrese de que el interruptor esté en posición de apagado antes de conectar la fuente de alimentación y/o la batería o de levantar o transportar la herramienta.** Transportar herramientas eléctricas con el dedo puesto en el interruptor o herramientas eléctricas activadoras que tengan el interruptor encendido puede provocar accidentes.
- d. **Saque cualquier llave de ajuste o llave inglesa antes de encender la herramienta eléctrica.** Una llave inglesa u otra llave que se deje puesta en una pieza en movimiento de la herramienta eléctrica pueden ocasionar lesiones personales.
- e. **No alargue demasiado los brazos. Mantenga un equilibrio adecuado y la estabilidad constantemente.** Esto permite un mejor control de la herramienta eléctrica en situaciones inesperadas.
- f. **Utilice la vestimenta adecuada. No lleve ropa suelta ni joyas. Mantenga el cabello, la ropa y los guantes alejados de las piezas en movimiento.** La ropa suelta, las joyas y el pelo largo pueden quedar atrapados en las piezas en movimiento.



- g. **Si se suministran dispositivos para la conexión del equipo de extracción y recogida de polvo, asegúrese de que estén conectados y de que se usen adecuadamente.** El uso de equipo de recogida de polvo puede reducir los riesgos relacionados con el polvo.
- h. **No permita que la familiaridad adquirida con el uso frecuente de herramientas le permita volverse complaciente e ignorar los principios de seguridad de las herramientas.** Una acción descuidada puede causar lesiones graves en una fracción de segundo.
4. **Uso y cuidado de la herramienta eléctrica**
- a. **No fuerce la herramienta eléctrica. Use la herramienta eléctrica correcta para su trabajo.** La herramienta eléctrica correcta funcionará mejor y con más seguridad si se utiliza de acuerdo con sus características técnicas.
- b. **No utilice la herramienta eléctrica si esta no puede encenderse y apagarse con el interruptor.** Cualquier herramienta eléctrica que no pueda controlarse con el interruptor es peligrosa y debe ser reparada.
- c. **Desconecte el enchufe de la fuente de alimentación y/o la batería de la herramienta eléctrica antes de realizar ajustes, cambiar accesorios o guardar las herramientas eléctricas.** Dichas medidas de seguridad preventivas reducen el riesgo de poner en marcha la herramienta eléctrica accidentalmente.
- d. **Guarde las herramientas eléctricas que no esté utilizando de forma que estén fuera del alcance de los niños y no permita que las personas que no estén familiarizadas con ella o con estas instrucciones utilicen la herramienta eléctrica.**  
Las herramientas eléctricas son peligrosas en manos de personas no capacitadas.
- e. **Realice el mantenimiento de las herramientas eléctricas. Compruebe si las piezas móviles están desalineadas o bloqueadas, si hay piezas rotas u otras condiciones que puedan afectar al funcionamiento de la herramienta eléctrica. Si la herramienta eléctrica está dañada, llévela a reparar antes de utilizarla.** Muchos accidentes se producen por el escaso mantenimiento de las herramientas eléctricas.
- f. **Mantenga las herramientas afiladas y limpias.** Las herramientas de corte con bordes afilados correctamente mantenidas tienen menos probabilidad de bloquearse y son más fáciles de controlar.
- g. **Use la herramienta eléctrica, los accesorios y las brocas de la herramienta, etc., de acuerdo con estas instrucciones y teniendo en cuenta las condiciones de trabajo y el trabajo que vaya a realizar.** El uso de la herramienta eléctrica para operaciones que no sean las previstas puede ocasionar una situación peligrosa.
- h. **Mantenga los mangos y las superficies de agarre secos, limpios y libres de aceite y grasa.**

Los mangos resbaladizos y las superficies de agarre no permiten un manejo y control seguros de la herramienta en situaciones inesperadas.

## 5. Uso y cuidado de la herramienta con pilas

- a. **Recargue la herramienta usando solo el cargador indicado por el fabricante.** Un cargador adecuado para un tipo de baterías puede ocasionar riesgos de incendio si se utiliza con otra batería.
- b. **Utilice las herramientas eléctricas solo con las baterías especialmente diseñadas.** El uso de cualquier otra batería puede causar riesgo de lesiones e incendio.
- c. **Cuando la batería no esté en uso, manténgala alejada de otros objetos metálicos tales como grapas para papel, llaves, clavos, las tuercas u otros objetos metálicos pequeños pues puede establecerse una conexión entre los dos terminales.** El cortocircuitado de los terminales de la batería puede provocar quemaduras o incendios.
- d. **En condiciones abusivas, podrá salir líquido de la batería, evite el contacto. En caso de contacto accidental, lave con agua. Si el líquido entra en contacto con la vista, acuda a un médico.** El líquido expulsado de la batería puede causar irritaciones o quemaduras.
- e. **No utilice una batería o herramienta que esté dañada o modificada.** Las baterías dañadas o modificadas pueden exhibir un comportamiento impredecible que resulta en fuego, explosión o riesgo de lesiones.
- f. **No exponga una batería o herramienta al fuego o a una temperatura excesiva.** La exposición al fuego o a temperaturas superiores a 130 ° C puede causar una explosión.

**NOTA** La temperatura "130 ° C" se puede reemplazar por la temperatura "265 ° F".

- g. **Siga todas las instrucciones de carga y no cargue la batería o la herramienta fuera del rango de temperatura especificado en las instrucciones. La carga inadecuada o a temperaturas fuera del rango especificado puede dañar la batería y aumentar el riesgo de incendio..**

## 6. Servicio

- a. **Haga reparar su herramienta eléctrica por una persona calificada para realizar las reparaciones y que utilice únicamente piezas de repuesto originales.** Así se asegurará que se mantenga la seguridad de la herramienta eléctrica.
- b. **Nunca repare las baterías dañadas.** El servicio de los paquetes de baterías solo debe ser realizado por el fabricante o proveedores de servicios autorizados.

## Advertencias de seguridad adicionales para herramientas eléctricas



**¡Advertencia!** Instrucciones de seguridad adicionales para taladros

- ◆ **Use protectores auditivos al perforar por impacto.** La exposición al ruido puede causar pérdida de audición.
- ◆ **Utilice las asas auxiliares suministradas con la herramienta.** La pérdida de control podría provocar daños personales.
- ◆ **Asegure la herramienta adecuadamente antes de usar.** Esta herramienta produce un alto par de salida y sin arriostrar adecuadamente la herramienta durante el funcionamiento, puede producirse la pérdida de control y provocar lesiones personales.
- ◆ **Sostenga la herramienta eléctrica por las superficies de agarre aisladas cuando realice una operación en la que el accesorio de corte pueda estar en contacto con un cable oculto.** El contacto de los accesorios de corte con un cable con tensión puede transmitir la tensión a las partes metálicas expuestas de la herramienta eléctrica y producir una descarga eléctrica al operador.
- ◆ **Sostenga la herramienta eléctrica por las superficies de agarre aisladas cuando realice una operación en la que el apretador pueda estar en contacto con un cable oculto.** El contacto de los accesorios de corte con un cable con tensión puede transmitir la tensión a las partes metálicas expuestas de la herramienta eléctrica y producir una descarga eléctrica al operador.

## Instrucciones de seguridad al usar brocas largas

- ◆ **Nunca opere a una velocidad superior a la velocidad máxima de la broca.** A velocidades más altas, es probable que la broca se doble si se le permite girar libremente sin tocar la pieza de trabajo, lo que puede provocar lesiones personales.
- ◆ **Siempre comience a perforar a baja velocidad y con la punta de la broca en contacto con la pieza de trabajo.** A velocidades más altas, es probable que la broca se doble si se le permite girar libremente sin tocar la pieza de trabajo, lo que puede provocar lesiones personales.
- ◆ **Aplique presión solo en línea directa con la broca y no aplique presión excesiva.** Las puntas pueden doblarse y causar rotura o pérdida de control, lo que puede provocar lesiones personales.
- ◆ **Utilice fijaciones u otro tipo de método para fijar y apoyar la pieza de trabajo en una plataforma estable.** Si sostiene el trabajo con las manos o con su cuerpo estará inestable y podrá hacer que pierda el control.

- ◆ Antes de taladrar las paredes, los suelos o los techos, compruebe la ubicación de los cables y las tuberías.
- ◆ No toque la punta de la broca de taladro justo después de taladrar ya que podría estar caliente.
- ◆ En este manual se describe el uso previsto. El uso de accesorios o acoplamientos o la realización de cualquier operación con esta herramienta que sean distintos de los recomendados en este manual de instrucciones puede dar lugar a lesiones personales y/o daños a la propiedad.

## Seguridad de otras personas

- ◆ Esta herramienta no se destina al uso por parte de personas (incluyendo los niños) con capacidades físicas, sensoriales o mentales reducidas, o que carezcan de experiencia o del conocimiento necesario, a menos que estén supervisadas o reciban las instrucciones relativas al uso del aparato por una persona encargada de su seguridad.
- ◆ Los niños deberán estar siempre vigilados para asegurarse de que no jueguen con el aparato.

## Riesgos residuales

Al utilizar la herramienta, podrían surgir riesgos residuales adicionales que no se incluyan en las advertencias de seguridad incluidas. Estos riesgos pueden surgir por un mal uso, un uso prolongado, etc.

Incluso al aplicar las normas de seguridad pertinentes y al usar los dispositivos de seguridad, existen determinados riesgos residuales que no pueden evitarse. Esto incluye:

- ◆ Lesiones provocadas por el contacto con cualquier pieza giratoria/móvil.
- ◆ Lesiones provocadas al cambiar cualquier pieza, hoja o accesorio.
- ◆ Lesiones provocadas por el uso prolongado de una herramienta. Al usar cualquier herramienta durante periodos prolongados de tiempo, asegúrese de hacer descansos con regularidad.
- ◆ Deterioro auditivo.
- ◆ Daños a la salud provocados por la respiración del polvo desarrollado al utilizar la herramienta (por ejemplo, al trabajar con madera, especialmente haya, roble y MDF.)

## Vibración

Los valores declarados de emisión de vibraciones indicados en los datos técnicos y la declaración de conformidad se han medido de acuerdo con un método de prueba estándar suministrado por EN 62841 y pueden utilizarse para comparar una herramienta con otra. El valor declarado de emisión de vibraciones también puede utilizarse en una evaluación preliminar de exposición.

**¡Advertencia!** El valor de emisión de vibraciones durante el uso real de la herramienta eléctrica puede diferir del valor declarado dependiendo de la forma de uso de la herramienta. El nivel de vibración podría aumentar por encima del nivel indicado.



Al evaluar la exposición a las vibraciones para determinar las medidas de seguridad requeridas por la Directiva 2002/44/CE para la protección de las personas que utilizan habitualmente herramientas eléctricas en su trabajo, debe tenerse en cuenta un cálculo de la exposición a vibraciones, las condiciones reales de uso y la forma de utilización de la herramienta, incluyendo todas las partes del ciclo operativo como las veces que la herramienta está apagada, cuando funciona en vacío y el tiempo de activación.

## Etiquetas en la herramienta

En la herramienta se muestran los siguientes pictogramas, junto con el código de fecha:



**¡Advertencia!** Para reducir el riesgo de lesiones, el usuario debe leer el manual de instrucciones.



Lleve protección acústica cuando utilice taladradoras de impacto.  
La exposición ante ruidos puede provocar la pérdida de audición.



No mire fijamente la lámpara de operación

## Instrucciones de seguridad adicionales para baterías y cargadores

### Baterías

- ◆ Nunca intente abrirlo por ningún motivo.
- ◆ No exponga la batería al agua.
- ◆ No la almacene en lugares donde la temperatura puede exceder los 40 °C.
- ◆ Cárguela únicamente a una temperatura ambiente entre 10 °C y 40 °C.
- ◆ Cárguela únicamente con el cargador provisto con la herramienta.
- ◆ A la hora de desechar las baterías, siga las instrucciones dadas en la sección "Protección del medio ambiente".



No intente recargar baterías deterioradas.

### Cargadores

- ◆ Utilice su cargador BLACK+DECKER únicamente para cargar la batería suministrada con la herramienta. Otras baterías podrían explotar, provocando daños materiales y daños personales.
- ◆ Nunca intente cargar baterías no recargables.
- ◆ Haga que los cables defectuosos sean reemplazados inmediatamente.
- ◆ No exponga el cargador al agua.
- ◆ No abra el cargador.
- ◆ No examine el cargador.



Este cargador está diseñado únicamente para su uso en interiores



Antes de usarse, lea el manual de instrucciones.

## Seguridad eléctrica



Su cargador está doblemente aislado; por lo tanto, no es necesario ningún cable. Compruebe siempre que la tensión de red corresponda a la indicado en la placa de características. Nunca intente reemplazar la unidad de carga con un enchufe normal.

- ◆ Si el cable de alimentación está dañado, debe ser sustituido por el fabricante o un centro de reparación oficial de BLACK+DECKER con el fin de evitar peligros.

## Características

Esta herramienta incluye alguna de las siguientes características o todas ellas.

1. Interruptor de velocidad variable
2. Deslizador de avance/retroceso
3. Collar de ajuste de par
4. Mandril sin llave
5. Engranaje de doble rango
6. LED - luz de trabajo
7. Batería
8. Botón de liberación de batería

## Montaje

### Uso

**¡Advertencia!** Deje que la herramienta trabaje a su propio ritmo. No la sobrecargue.

### Carga de la batería (fig. A1, A2)

La batería debe cargarse antes de usarla por primera vez y cada vez que no produzca suficiente energía para trabajos que antes se hacían con facilidad. La batería puede calentarse durante la carga; esto es normal y no indica ningún problema.

**¡Advertencia!** No cargue la batería a temperaturas inferiores a 10 °C o superiores a 40 °C.  
Temperatura de carga recomendada: aprox. 24 °C.

**Nota: El cargador no cargará una batería si la temperatura de la célula es inferior a aprox- 10 °C o superior a 40 °C.**

**La batería debe dejarse en el cargador y el cargador comenzará a cargarse automáticamente cuando la temperatura de la célula aumente o disminuya.**

- ◆ Enchufe el cargador (9) en cualquier toma de corriente eléctrica estándar de 230 voltios 50 Hz.
- ◆ Deslice la batería (7) en el cargador, tal y como se muestra en las fig. A1, A2.



El LED (9a) parpadeará indicando que la batería se está cargando.



Se indicará que la carga ha terminado porque la luz LED (9a) permanecerá encendida de manera

continua. La batería estará cargada y se podrá usar o dejar en el cargador.

**¡Advertencia!** Peligro de incendio. Cuando retire la batería del cargador, asegúrese de desenchufar primero el cargador de la toma de corriente; a continuación, retire el cable de la batería del cargador.

### Diagnósticos del cargador

Este cargador está diseñado para detectar ciertos problemas que pueden producirse con las baterías o la fuente de alimentación. Los problemas se indican mediante un LED parpadeante en diferentes patrones.

#### Batería defectuosa



El cargador puede detectar una batería débil o dañada. El LED parpadea en el patrón indicado en la etiqueta. Si ve este patrón de parpadeo de batería defectuosa, no siga cargando la batería. Devuélvalo a un centro de servicio o a un punto de recolección para reciclaje.

#### Demora por batería fría/caliente



Cuando el cargador detecta que la batería está demasiado fría o demasiado caliente, inicia automáticamente la demora por batería fría/caliente, suspendiendo la carga hasta que la batería se normalice. Después de que esto suceda, el cargador cambia automáticamente al modo de Carga de Batería. Esta función asegura la máxima vida útil de la batería. La luz parpadea en el patrón indicado en la etiqueta.

#### Dejar la batería en el cargador

El cargador y la batería pueden dejarse conectados con el LED iluminado indefinidamente. El cargador mantendrá la batería completamente cargada. Este cargador cuenta con un modo de ajuste automático que iguala o equilibra las células individuales en la batería para permitir que funcione a su capacidad máxima. Las baterías deben ajustarse semanalmente o siempre que la batería ya no proporcione el mismo rendimiento. Para usar el modo de ajuste automático, coloque la batería en el cargador y déjela en este durante al menos 8 horas.

### Notas importantes sobre la carga

- ◆ Pueden obtenerse la vida útil más larga y el mejor rendimiento si la batería se carga cuando la temperatura del aire esté entre 18 ° – 24 °C. NO cargue la batería a una temperatura del aire inferior a +4.5 °C ni superior a +40 °C. Esto es importante y evitará daños graves en la batería.
- ◆ El cargador y la batería pueden calentarse al ser tocados durante la carga. Esto es normal, y no indica que haya un problema. Para facilitar el enfriamiento de la batería después de su uso, evite colocar el cargador o la batería en un ambiente cálido, como en un cobertizo metálico o un remolque sin aislamiento.
- ◆ Si la batería no se carga correctamente:
  - ◆ Compruebe la operación del receptáculo, enchufándolo a una lámpara u otro aparato;
  - ◆ Compruebe si el receptáculo está conectado a un interruptor de luz que apague la energía cuando apague las luces;
  - ◆ Mueva el cargador y la batería a una ubicación donde la temperatura del aire en el entorno se encuentre entre los 18 ° – 24 °C aproximadamente;
  - ◆ Si los problemas de carga persisten, lleve la herramienta, la batería y el cargador a su centro de servicio local.
- ◆ La batería debe recargarse cuando esta no produzca suficiente potencia en trabajos que previamente podía realizar con facilidad. NO CONTINÚE utilizándola en estas condiciones. Siga el procedimiento de carga. También puede cargar una batería usada parcialmente cuando lo desee, sin ningún efecto adverso en la batería.
- ◆ Los materiales extraños de naturaleza conductora, tales como (pero no limitado a) polvo de esmerilado, virutas de metal, lana de acero, papel de aluminio, o cualquier acumulación de partículas metálicas deberá mantenerse alejado de las cavidades del cargador. Desenchufe el cargador antes de intentar limpiarlo.
- ◆ No congele ni sumerja el cargador en agua ni en ningún otro líquido.

### Instalar y retirar de la batería de la herramienta (fig. B)

**¡Advertencia!** Asegúrese de que el botón de bloqueo (2) esté activado para evitar el accionamiento del interruptor antes de retirar o instalar la batería.

Para instalar una batería:

- ◆ Inserte la batería (7) en la herramienta, hasta que pueda oír un clic audible (fig. B).

### Retirar de la batería de la herramienta (fig. C)

- ◆ Presione el botón de extracción de la batería (8) tal y como se muestra en la (fig. C) y extraiga la batería de la herramienta.

## Instrucciones de funcionamiento

### Interruptor de disparador y botón de marcha atrás (fig. D)

- ◆ El taladro se enciende y apaga tirando y soltando el interruptor de disparador (1). Cuanto más se presione el interruptor, mayor será la velocidad del taladro.
- ◆ Un botón de control de avance/retroceso (2) determina la dirección de la herramienta y también sirve como botón de desbloqueo.
- ◆ Para seleccionar el giro hacia delante, suelte el interruptor de tipo paleta y pulse el botón de control de avance/retroceso a la izquierda.
- ◆ Para seleccionar el sentido de retroceso, pulse el botón de control de avance/retroceso en la dirección contraria.

**Nota:** La posición central del botón de control bloquea la herramienta en posición de apagado. Cuando cambie la posición del botón de control, compruebe que ha soltado el interruptor.

### Control de par (fig.E)

Esta herramienta está equipada con un collar de ajuste de par (3) para seleccionar el modo de funcionamiento y para establecer el par de apriete de los tornillos. Los tornillos grandes y los materiales duros de la pieza de trabajo requieren un ajuste de par mayor que los tornillos pequeños y los materiales de la pieza de trabajo blandos.

- ◆ Para taladrar en madera, metal y plásticos, coloque el collar en el símbolo de posición de perforación.
- ◆ Para atornillar, ajuste el collar en la configuración deseada. Si aún no conoce el ajuste adecuado, proceda de la siguiente manera:
- ◆ Fije el collar en la configuración de par más baja.
- ◆ Apriete el primer tornillo.
- ◆ Si el acoplamiento hace un trinquete antes de conseguir el resultado deseado, aumente el ajuste del collar y siga apretando el tornillo. Repita esto hasta llegar al ajuste correcto. Utilice este ajuste para los tornillos restantes.

### Mandril sin llave (fig. F)

**¡Advertencia!** Asegúrese de que el botón de bloqueo (2) esté activado para evitar el accionamiento del interruptor antes de retirar o instalar los accesorios.

Para introducir una broca u otro accesorio:

- ◆ Sujete la mitad trasera del mandril (4) con una mano y utilice la otra mano para girar la mitad delantera en el sentido contrario a las agujas del reloj, visto desde el extremo del mandril.
- ◆ Inserte la broca u otro accesorio completamente en el mandril, y apriételo firmemente, sujetando la mitad posterior del mandril y girando la parte delantera en el sentido de las agujas del reloj, visto desde el extremo del mandril.

**¡Advertencia!** No intente apretar las puntas de brocas (ni cualquier otro accesorio) agarrando la parte frontal del mandril y encendiendo la herramienta. Podría provocar daños al mandril y daños personales al cambiar los accesorios.

### Engranaje de doble rango (figura G)

La función de doble serie de su taladro le permite aumentar las velocidades para gozar de una mayor versatilidad.

Para seleccionar la velocidad baja, con un valor de par alto (posición 1), apague la herramienta y deje que se detenga. Deslice el botón de la palanca de engranajes (5) lejos del mandril. Para seleccionar la velocidad alta, con un valor de par bajo (posición 2), apague la herramienta y deje que se detenga.

Deslice el botón de la palanca de engranajes hacia el mandril.

**Nota:** No cambie las velocidades cuando la herramienta esté funcionando. Si registra algún problema a la hora de cambiar las velocidades, compruebe que el botón de engranajes de doble serie está completamente colocado hacia delante o completamente hacia atrás.

### Perforación/atornillamiento

- ◆ Seleccione la rotación hacia adelante o hacia atrás utilizando el deslizador de avance/retroceso (2).
- ◆ Para encender la herramienta, presione el interruptor (1). La velocidad de la herramienta depende de lo lejos que presione el interruptor.
- ◆ Para apagar la herramienta, suelte el interruptor.

### Consejos para un uso óptimo

#### Taladrado

- ◆ Utilice solo puntas de broca afiladas.
- ◆ Apoye y asegure el trabajo correctamente, tal y como se indica en las Instrucciones de seguridad.
- ◆ Use el equipo de seguridad apropiado y requerido, tal y como se indica en las Instrucciones de seguridad.
- ◆ Asegure y mantenga el área de trabajo, tal y como se indica en las Instrucciones de seguridad.
- ◆ Opere el taladro muy lentamente, usando una presión ligera, hasta que el orificio sea lo suficientemente grande para evitar que la broca se salga de él.
- ◆ Aplique siempre la presión en línea recta con la broca. Aplique suficiente presión para mantener la posición de la broca, pero no aplique tanta presión como para atrancar el motor o romper la broca.
- ◆ Sostenga el taladro firmemente con las dos manos para controlar su acción de giro de la broca.
- ◆ **NO PRESIONE EL ACTIVADOR DE UN TALADRO ATASCADO PARA INTENTAR INICIARLO. ESTO PODRÍA CAUSAR DAÑOS EN EL TALADRO.**

- ◆ Minimice el estancamiento al avanzar reduciendo la presión y taladrando lentamente en la última parte del orificio.
- ◆ Mantenga el motor en funcionamiento mientras saca la broca de un orificio perforado. Esto hará que se atasque menos.
- ◆ Asegúrese de que el interruptor enciende y apaga el taladro.

La unidad se apaga abruptamente.	La batería ha alcanzado su límite térmico máximo.  Sin carga. (Para maximizar la vida útil de la batería, esta ha sido diseñada para apagarse abruptamente cuando la carga se agote)	Deje que la batería se enfríe.  Colóquela en el cargador y deje que se cargue.
----------------------------------	--	--

### Perforación en madera

Los orificios en madera pueden realizarse con las mismas brocas helicoidales utilizadas para el metal o con brocas de pica. Estas brocas deben estar afiladas y deben extraerse con frecuencia al taladrar para despejar las virutas de las ranuras.

### Perforación en metal

Utilice un lubricante de corte cuando perfore metales. Las excepciones son el latón y la fundición, que deberán perforarse en seco. Los lubricantes de corte que mejor funcionan son el aceite de corte sulfurado o aceite de colza.

### Perforación en paredes

Para taladrar en paredes, coloque el collar (3) en la posición de perforación del martillo, alineando el símbolo con la marca.  
Deslice el selector de velocidad (5) hacia la parte delantera de la herramienta (2ª marcha).

### Atornillado

- ◆ Utilice siempre el tipo y tamaño correctos de la punta del destornillador.
- ◆ Si los tornillos son difíciles de apretar, intente aplicar una pequeña cantidad de líquido de lavado o jabón como lubricante.
- ◆ Mantenga siempre la herramienta y la punta del destornillador en línea recta con el tornillo

### Mantenimiento

Su herramienta BLACK+DECKER ha sido diseñada para funcionar mucho tiempo con un mantenimiento mínimo. El funcionamiento satisfactorio continuo depende del buen cuidado de la herramienta y de una limpieza frecuente. El cargador no requiere ningún mantenimiento, salvo la limpieza periódica.

**¡Advertencia!** Antes de efectuar cualquier mantenimiento en la herramienta, extraiga la batería de esta. Desenchufe el cargador antes de limpiarlo.

- ◆ Limpie periódicamente las ranuras de ventilación de la herramienta y el cargador con un cepillo suave o un paño seco.
- ◆ Limpie periódicamente la carcasa del motor con un paño húmedo.  
No utilice discos abrasivos o limpiadores a base de solvente.
- ◆ Abra habitualmente el portabrocas y golpéelo ligeramente para eliminar cualquier resto de polvo del interior.

### Protección del medioambiente



Recogida selectiva. Los productos y baterías marcados con este símbolo no deben eliminarse con la basura normal.

Los productos y las baterías contienen materiales que pueden ser recuperados o reciclados, reduciendo así el uso de materias primas.

Por favor, recicle los productos eléctricos y las baterías de acuerdo con la normativa local. Puede obtener más información en [www.2helpU.com](http://www.2helpU.com)

### Solución de problemas

Problema	Posible causa	Posible solución
La unidad no se enciende.	La batería no está cargada.	Compruebe los requisitos de carga de la batería
La batería no se carga.	El cargador no está enchufado.  Temperatura ambiente demasiado alta o baja.	Enchufe el cargador en una toma de corriente que funcione.  Lleve el cargador y la batería a un entorno con una temperatura del aire de más de 40 grados F (4,5 °C) o menos de 105 grados F (+40,5 °C)

### Datos técnicos

BDASB18V		
Tensión	V <sub>DC</sub>	18
Velocidad en vacío	Min <sup>-1</sup>	0 - 360/0 - 1400
Par máx.	Nm	45
Capacidad del mandril	mm	1-10
Capacidad máx. de taladrado		
Acero/madera/Paredes	mm	10/25/10
Peso	kg	0.9 (con batería 1.3)

Cargador de baterías		90589867	90590287-06	90634971
Voltaje de entrada	$V_{AC}$	230	230	230
Tensión de salida	$V_{DC}$	18	18	18
Corriente	mA	200	400	1A
Tiempo aproximado de recarga	Horas	8	3 - 5	1.5

## Garantía

Black & Decker confía en la calidad de sus productos y ofrece a los consumidores una garantía de 24 meses a partir de la fecha de compra. Esta garantía es complementaria y en ningún caso afectará a sus derechos estatutarios. La garantía es válida dentro de los territorios de los Estados Miembros de la Unión Europea y del Área de Libre Comercio Europea.

Para reclamar la garantía, la reclamación debe cumplir los términos y condiciones de Black&Decker y usted deberá remitir el comprobante de la compra al vendedor o al centro oficial de reparación.

Puede consultar las condiciones de la garantía de 2 años de Black & Decker y la ubicación más cercana de su centro oficial de reparación en [www.2helpU.com](http://www.2helpU.com) o contactando con su oficina local de Black & Decker en la dirección indicada en este manual.

Visite nuestra página web [www.blackanddecker.co.uk](http://www.blackanddecker.co.uk) para registrar su nuevo producto de Black & Decker y recibir noticias de nuevos productos y ofertas especiales.

Batería		BL1518
Tensión	$V_{AC}$	18
Capacidad	Ah	1.5
Tipo		Litio-ión

Nivel de presión acústica según EN 62841:
Presión acústica ( $L_{pa}$ ) 87.5 dB(A), incertidumbre (K) 5 dB(A)
Potencia acústica ( $L_{WA}$ ) 98.5 dB(A), incertidumbre (K) 5 dB(A)

Valores totales de vibración (suma de vectores teniendo en cuenta los tres ejes) de acuerdo con la norma EN 62841:
Perforación en hormigón ( $a_{hvd}$ ) 14.2 m/s <sup>2</sup> , incertidumbre (K) 1.5 m/s <sup>2</sup>
Taladro de impacto en metal ( $a_{hvd}$ ) 1.1 m/s <sup>2</sup> , incertidumbre (K) 1.5 m/s <sup>2</sup>

## Declaración de conformidad CE

DIRECTIVA SOBRE MÁQUINAS



BDASB18 - Taladro de impacto

Black & Decker declara que los productos descritos bajo "datos técnicos" son conformes a las normas: 2006/42/EC, EN62841-1:2015 EN62841-2-1:2018+A11:2019.

Estos productos son conformes también a las Directrices 2014/30/EU y 2011/65/EU. Si desea más información, póngase en contacto con Black & Decker en la dirección indicada a continuación o bien consulte la parte posterior de este manual.

El que suscribe es responsable de la compilación del archivo técnico y realiza esta declaración en representación de  
Black & Decker.

Ed Higgins  
Director – Consumer Power Tools  
Black & Decker Europe, 270 Bath Road, Slough,  
Berkshire, SL1 4DX  
Reino Unido  
29/11/2019

## Προβλεπόμενη χρήση

Το κρουστικό σας δράπανο BLACK+DECKER BDASB18V έχει σχεδιαστεί για εφαρμογές βιδώματος και για διάτρηση σε ξύλο, μέταλλο και υλικά τοιχοποιίας. Αυτό το εργαλείο προορίζεται μόνο για καταναλωτική χρήση.

## Οδηγίες ασφαλείας

### Γενικές προειδοποιήσεις ασφαλείας για ηλεκτρικά εργαλεία



**ΠΡΟΕΙΔΟΠΟΙΗΣΗ** Διαβάστε όλες τις προειδοποιήσεις ασφαλείας, τις οδηγίες, τις εικόνες και τις προδιαγραφές που παρέχονται με αυτό το ηλεκτρικό εργαλείο. Η μη τήρηση των προειδοποιήσεων και οδηγιών που αναφέρονται παρακάτω μπορεί να είναι αιτία ηλεκτροπληξίας, πυρκαγιάς και/ή σοβαρού τραυματισμού.

**Φυλάξτε όλες τις προειδοποιήσεις και οδηγίες για μελλοντική αναφορά.** Ο όρος “ηλεκτρικό εργαλείο” που χρησιμοποιείται σε όλες τις παρακάτω προειδοποιήσεις, αναφέρεται είτε σε εργαλείο που λειτουργεί με ρεύμα δικτύου (ρεύματος - με καλώδιο) είτε σε εργαλείο που λειτουργεί με μπαταρία (μπαταρίας - χωρίς καλώδιο).

#### 1. Ασφάλεια στο χώρο εργασίας

- α. Διατηρείτε το χώρο εργασίας καθαρό και καλά φωτισμένο.** Η ακατάστατη ή σκοτεινίσι χώροι γίνονται αιτίες ατυχημάτων.
- β. Μη χρησιμοποιείτε ηλεκτρικά εργαλεία σε εκρηκτικά περιβάλλοντα, όπως με παρουσία εύφλεκτων υγρών, αερίων ή σκόνης.** Τα ηλεκτρικά εργαλεία παράγουν σπινθήρες οι οποίοι μπορούν να προκαλέσουν ανάφλεξη σκόνης ή αναθυμιάσεων.
- γ. Κρατάτε παιδιά και παρευρισκόμενους μακριά όταν χρησιμοποιείτε ηλεκτρικό εργαλείο.** Παράγοντες που αποσπούν την προσοχή μπορεί να σας κάνουν να χάσετε τον έλεγχο.

#### 2. Ασφάλεια χρήσης ηλεκτρικού ρεύματος

- α. Τα φως των ηλεκτρικών εργαλείων πρέπει να ταιριάζουν στην πρίζα. Ποτέ μην τροποποιήσετε το φως με κανέναν τρόπο. Μη χρησιμοποιήσετε οποιοδήποτε αντάππορα φως με γειωμένα ηλεκτρικά εργαλεία.** Η χρήση μη τροποποιημένων φως και κατάλληλης πρίζας μειώνει τον κίνδυνο ηλεκτροπληξίας.
- β. Αποφεύγετε την επαφή του σώματος με γειωμένες επιφάνειες όπως σωληνώσεις, σώματα καλοριφέρ, συσκευές μαγειρέματος και ψυγεία.** Υπάρχει αυξημένος κίνδυνος ηλεκτροπληξίας αν το σώμα σας είναι γειωμένο.

- γ. Μην εκθέτετε ηλεκτρικά εργαλεία σε βροχή ή υγρές συνθήκες.** Η διείσδυση νερού σε ένα ηλεκτρικό εργαλείο αυξάνει τον κίνδυνο ηλεκτροπληξίας. **Μην κακομεταχειρίζεστε το καλώδιο. Ποτέ μη χρησιμοποιήσετε το καλώδιο για να μεταφέρετε, να τραβήξετε ή να αποσυνδέσετε από την πρίζα το ηλεκτρικό εργαλείο. Κρατάτε το καλώδιο μακριά από θερμότητα, λάδι, αιχμηρές άκρες ή κινούμενα μέρη.** Τα καλώδια που έχουν υποστεί ζημιά ή είναι μπερδεμένα αυξάνουν τον κίνδυνο ηλεκτροπληξίας.
- ε. Όταν χρησιμοποιείτε ένα ηλεκτρικό εργαλείο σε εξωτερικό χώρο, χρησιμοποιείτε καλώδιο επέκτασης κατάλληλο για χρήση σε εξωτερικό χώρο.** Η χρήση καλωδίου κατάλληλου για εργασία σε εξωτερικούς χώρους μειώνει τον κίνδυνο ηλεκτροπληξίας.
- στ. Αν είναι αναπόφευκτη η χρήση ηλεκτρικού εργαλείου σε υγρές συνθήκες, χρησιμοποιήστε παροχή ρεύματος που προστατεύεται από διάταξη προστασίας από διαρροή ρεύματος (ρελέ διαρροής - RCD). Η χρήση ρελέ διαρροής μειώνει τον κίνδυνο ηλεκτροπληξίας.**

### 3. Ατομική ασφάλεια

- α. Να είστε πάντα σε εγρήγορση, να προσέχετε τι κάνετε και να χρησιμοποιείτε κοινή λογική όταν χρησιμοποιείτε ηλεκτρικό εργαλείο. Μη χρησιμοποιείτε ηλεκτρικό εργαλείο όταν είστε κουρασμένος/ή υπό την επήρεια ναρκωτικών, οινοπνεύματος ή φαρμάκων.** Μία μόνο στιγμή απροσεξίας κατά τη χρήση ηλεκτρικών εργαλείων μπορεί να είναι αιτία σοβαρού τραυματισμού.
- β. Χρησιμοποιείτε εξοπλισμό ατομικής προστασίας. Φοράτε πάντα προστασία ματιών.** Ο εξοπλισμός προστασίας όπως μάσκα σκόνης, αντιολισθητικά υποδήματα ασφαλείας, κράνος ή προστασία ακοής που χρησιμοποιείται για τις κατάλληλες συνθήκες μπορεί να μειώσει τις σωματικές βλάβες.
- γ. Αποτρέψτε αθέλητη έναρξη λειτουργίας. Να βεβαιώνεστε ότι ο διακόπτης είναι στη θέση απενεργοποίησης πριν συνδέσετε το εργαλείο στην πηγή ρεύματος και/ή στο πακέτο μπαταριών, πριν πάρετε στα χέρια σας ή μεταφέρετε το εργαλείο.** Η μεταφορά ηλεκτρικών εργαλείων με το δάκτυλό σας στο διακόπτη ή η σύνδεση στο ρεύμα ηλεκτρικών εργαλείων που έχουν ενεργοποιημένο το διακόπτη αποτελούν πηγή ατυχημάτων.
- δ. Αφαιρείτε κάθε κλειδί ρύθμισης ή μηχανικό κλειδί πριν ενεργοποιήσετε το ηλεκτρικό εργαλείο.** Αν έχει μείνει οποιοδήποτε κλειδί συνδεδεμένο σε περιστρεφόμενο μέρος του ηλεκτρικού εργαλείου, μπορεί να προκληθεί τραυματισμός.
- ε. Μην τεντώνετε υπερβολικά. Διατηρείτε πάντα καλή στήριξη με τα πόδια και καλή ισορροπία.** Έτσι εξασφαλίζεται καλύτερος έλεγχος του ηλεκτρικού εργαλείου σε μη αναμενόμενες καταστάσεις.
- στ. Να είστε ενδεδυμένοι κατάλληλα. Μη φοράτε ρούχα με χαλαρή εφαρμογή ή κοσμήματα.**



- Κρατάτε τα μαλλιά, τα ρούχα και τα γάντια σας μακριά από κινούμενα μέρη. Τα χαλαρά ρούχα, τα κοσμήματα ή τα μακριά μαλλιά μπορούν να πιαστούν σε κινούμενα μέρη.
- ζ. **Αν παρέχονται διατάξεις για τη σύνδεση εξοπλισμού απομάκρυνσης και συλλογής της σκόνης, να βεβαιώνετε ότι αυτές έχουν συνδεθεί και χρησιμοποιούνται σωστά.** Η χρήση εξοπλισμού συλλογής της σκόνης μπορεί να μειώσει τους κινδύνους από τη σκόνη.
- η. **Μην αφήσετε την οικειότητα που αποκτήθηκε από τη συχνή χρήση εργαλείων να σας επιτρέψει να γίνετε εφησυχασμένοι και να αγνοείτε τις αρχές ασφάλειας του εργαλείου.** Μια απρόσεκτη δράση μπορεί να προκαλέσει σοβαρό τραυματισμό μέσα σε ένα κλάσμα του δευτερολέπτου.
- 4. Χρήση και φροντίδα ηλεκτρικών εργαλείων**
- α. Μην ασκείτε υπερβολική δύναμη στο εργαλείο.** Χρησιμοποιείτε το σωστό εργαλείο για την εφαρμογή σας. Το σωστό ηλεκτρικό εργαλείο θα κάνει την εργασία καλύτερα και ασφαλέστερα, με το ρυθμό για τον οποίο σχεδιάστηκε.
- β. Μη χρησιμοποιήσετε το ηλεκτρικό εργαλείο αν ο διακόπτης δεν το ενεργοποιεί ή δεν το απενεργοποιεί.** Οποιοδήποτε ηλεκτρικό εργαλείο δεν μπορεί να ελεγχθεί με το διακόπτη είναι επικίνδυνο και πρέπει να επισκευαστεί.
- γ. Αποσυνδέστε το φως από την πηγή ρεύματος καί ή το πακέτο μπαταριών από το εργαλείο πριν κάνετε οποιαδήποτε ρύθμιση ή αλλαγή αξεσουάρ και πριν τη φύλαξη των ηλεκτρικών εργαλείων.** Τέτοια προληπτικά μέτρα ασφαλείας μειώνουν τον κίνδυνο αθέλητης εκκίνησης του ηλεκτρικού εργαλείου.
- δ. Φυλάσσετε τα μη χρησιμοποιούμενα ηλεκτρικά εργαλεία μακριά από παιδιά και μην επιτρέπετε να χρησιμοποιούν το ηλεκτρικό εργαλείο πρόσωπα μη εξοικειωμένα με το ηλεκτρικό εργαλείο ή με αυτές τις οδηγίες.** Τα ηλεκτρικά εργαλεία είναι επικίνδυνα στα χέρια ανεκπαίδευτων χρηστών.
- ε. Συντηρείτε τα ηλεκτρικά εργαλεία.** Ελέγχετε για τυχόν κακή ευθυγράμμιση ή μάγκωμα των κινούμενων μερών, θραύση εξαρτημάτων και οποιαδήποτε άλλη συνθήκη μπορεί να επηρεάσει τη λειτουργία του ηλεκτρικού εργαλείου. Αν το ηλεκτρικό εργαλείο υποστεί ζημιά, φροντίστε να επισκευαστεί πριν χρησιμοποιηθεί. Πολλά ατυχήματα προκαλούνται από κακοσυντηρημένα ηλεκτρικά εργαλεία.
- στ. Διατηρείτε τα εργαλεία κοπής κοφτερά και καθαρά.** Τα σωστά συντηρημένα κοπτικά εργαλεία με αιχμηρές κοπτικές αιχμές έχουν μικρότερη πιθανότητα να μαγκώσουν και ελέγχονται ευκολότερα.
- ζ. Χρησιμοποιείτε το ηλεκτρικό εργαλείο, τα αξεσουάρ και τα κοπτικά εξαρτήματα του εργαλείου σύμφωνα με αυτές τις οδηγίες, λαμβάνοντας υπόψη τις συνθήκες εργασίας και την προς εκτέλεση εργασία.** Η χρήση του ηλεκτρικού εργαλείου για εργασίες διαφορετικές από τις προβλεπόμενες θα μπορούσε να προκαλέσει επικίνδυνη κατάσταση.
- η. Διατηρείτε τις λαβές και τις επιφάνειες σύλληψης στεγνές, καθαρές και απαλλαγμένες από λάδια και γράσα.** Οι ολισθηρές λαβές και οι επιφάνειες σύλληψης δεν επιτρέπουν τον ασφαλή χειρισμό και τον έλεγχο του εργαλείου σε απρόσμενες καταστάσεις.
- 5. ΧΡΗΣΗ ΚΑΙ ΦΡΟΝΤΙΔΑ ΕΡΓΑΛΕΙΟΥ ΜΠΑΤΑΡΙΑΣ**
- α. Να επαναφορτίζετε μόνο με το φορτιστή που καθορίζει ο κατασκευαστής.** Ένας φορτιστής που είναι κατάλληλος για ένα τύπο πακέτου μπαταρίας μπορεί να δημιουργήσει κίνδυνο πυρκαγιάς όταν χρησιμοποιείται με άλλο πακέτο μπαταρίας.
- β. Χρησιμοποιείτε τα εργαλεία μόνο με τα ειδικά προβλεπόμενα πακέτα μπαταριών.** Η χρήση οποιουδήποτε άλλων πακέτων μπαταριών μπορεί να δημιουργήσει κίνδυνο τραυματισμού και πυρκαγιάς.
- γ. Όταν ένα πακέτο μπαταρίας δεν χρησιμοποιείται, διατηρείτε το μακριά από άλλα μεταλλικά αντικείμενα όπως συνδετήρες, νομίσματα, κλειδιά, βίδες ή άλλα μικρά μεταλλικά αντικείμενα που μπορούν να δημιουργήσουν σύνδεση από τον ένα πόλο στον άλλο.** Αν βραχυκυκλωθούν οι πόλοι της μπαταρίας μπορεί να προκληθούν εγκαύματα ή πυρκαγιά.
- δ. Αν μια μπαταρία υποστεί κακομεταχείριση, μπορεί να διαρρέυσει υγρό. Αποφύγετε την επαφή. Αν κατά λάθος έρθετε σε επαφή, ξεπλύνετε με νερό. Σε περίπτωση επιπλέον και ιατρική βοήθεια.** Το υγρό που εξέρχεται από τη μπαταρία μπορεί να προκαλέσει ερεθισμούς ή εγκαύματα.
- ε. Μην χρησιμοποιείτε μπαταρία ή εργαλείο που έχει καταστραφεί ή τροποποιηθεί.** Οι κατεστραμμένες ή τροποποιημένες μπαταρίες ενδέχεται να παρουσιάσουν απρόβλεπτη συμπεριφορά με αποτέλεσμα πυρκαγιά, έκρηξη ή κίνδυνο τραυματισμού.
- στ. Μην εκθέτετε μπαταρία ή εργαλείο σε φωτιά ή υπερβολική θερμοκρασία.** Η έκθεση σε φωτιά ή θερμοκρασία άνω των 130 ° C μπορεί να προκαλέσει έκρηξη.
- ΣΗΜΕΙΩΣΗ** Η θερμοκρασία "130 ° C" μπορεί να αντικατασταθεί από τη θερμοκρασία "265 ° F".
- ζ. Ακολουθήστε όλες τις οδηγίες φόρτισης και μην φορτίζετε την μπαταρία ή το εργαλείο εκτός του εύρους θερμοκρασίας που καθορίζεται στις οδηγίες.** Η ακατάλληλη φόρτιση ή σε θερμοκρασίες εκτός του καθορισμένου εύρους μπορεί να καταστρέψει την μπαταρία και να αυξήσει τον κίνδυνο πυρκαγιάς.



## 6. Σέρβις

- α. Αναθέτετε το σέρβις του εργαλείου σας σε εξειδικευμένο τεχνικό επισκευής με χρήση μόνο γνήσιων ανταλλακτικών. Έτσι θα εξασφαλίσετε τη διατήρηση της ασφάλειας του ηλεκτρικού εργαλείου.
- β. Ποτέ μην επισκευάζετε μπαταρίες που έχουν υποστεί ζημιά. Η συντήρηση μπαταριών πρέπει να εκτελείται μόνο από τον κατασκευαστή ή από εξουσιοδοτημένους παρόχους υπηρεσιών.

## Πρόσθετες προειδοποιήσεις ασφαλείας για ηλεκτρικά εργαλεία



**Προειδοποίηση!** Πρόσθετες προειδοποιήσεις ασφαλείας για δράπανα

- ♦ Φοράτε προστατευτικά αυτιών κατά τη διάτρηση. Η έκθεση σε θόρυβο μπορεί να προκαλέσει απώλεια ακοής.
- ♦ Χρησιμοποιείτε τις βοηθητικές λαβές που παρέχονται με το εργαλείο. Η απώλεια ελέγχου μπορεί να προκαλέσει σωματική βλάβη.
- ♦ Προσαρμόστε σωστά το εργαλείο πριν τη χρήση. Αυτό το εργαλείο παράγει ροπή υψηλής απόδοσης και χωρίς να στερεώνει σωστά το εργαλείο κατά τη λειτουργία, ενδέχεται να προκληθεί απώλεια ελέγχου με αποτέλεσμα τραυματισμό.
- ♦ Κρατάτε το ηλεκτρικό εργαλείο από μονωμένες επιφάνειες λαβής όταν εκτελείτε μια εργασία όπου το αξεσουάρ κοπής μπορεί να έρθει σε επαφή με αθάνατα καλώδια. Αν το αξεσουάρ κοπής έρθει σε επαφή με καλώδιο υπό τάση μπορεί να θεθούν υπό ηλεκτρική τάση και τα εκτεθειμένα μεταλλικά μέρη του ηλεκτρικού εργαλείου και να προκληθεί ηλεκτροπληξία στο χειριστή.
- ♦ Κρατάτε το ηλεκτρικό εργαλείο από μονωμένες επιφάνειες λαβής όταν εκτελείτε μια εργασία όπου το στοιχείο στερέωσης (βίδα) μπορεί να έρθει σε επαφή με αθάνατα καλώδια. Αν στοιχεία στερέωσης έρθουν σε επαφή με καλώδιο υπό τάση μπορεί να θεθούν υπό ηλεκτρική τάση και τα εκτεθειμένα μεταλλικά μέρη του ηλεκτρικού εργαλείου και να προκληθεί ηλεκτροπληξία στο χειριστή.

## Οδηγίες ασφαλείας κατά τη χρήση μεγάλων τρυπανιών

- ♦ Ποτέ μην λειτουργείτε με υψηλότερη ταχύτητα από τη μέγιστη βαθμολογία ταχύτητας του τρυπανιού. Σε υψηλότερες ταχύτητες, το κομμάτι είναι πιθανό να λυγίσει εάν επιτρέπεται να περιστρέφεται ελεύθερα χωρίς επαφή με το τεμάχιο εργασίας, με αποτέλεσμα τραυματισμό.

- ♦ Πάντα ξεκινήστε να τρυπάτε με χαμηλή ταχύτητα και με την άκρη του bit να έρχεται σε επαφή με το κομμάτι εργασίας. Σε υψηλότερες ταχύτητες, το κομμάτι είναι πιθανό να λυγίσει εάν επιτρέπεται να περιστρέφεται ελεύθερα χωρίς επαφή με το τεμάχιο εργασίας, με αποτέλεσμα τραυματισμό.
- ♦ Εφαρμόστε πίεση μόνο σε ευθεία γραμμή με το bit και μην ασκείτε υπερβολική πίεση. Τα κομμάτια μπορούν να λυγίσουν προκαλώντας θραύση ή απώλεια ελέγχου, με αποτέλεσμα τραυματισμό.
- ♦ Χρησιμοποιείτε σφιγκτήρες ή άλλον πρακτικό τρόπο για να στερεώσετε και να υποστηρίξετε το τεμάχιο εργασίας σε σταθερή επιφάνεια εργασίας. Αν κρατάτε το τεμάχιο εργασίας με το χέρι σας ή κόντρα στο σώμα σας, αυτό δεν είναι σταθερό και μπορεί να προκληθεί απώλεια ελέγχου.
- ♦ Πριν τη διάτρηση σε τοίχους, δάπεδα ή οροφές, ελέγξτε για τη θέση καλωδίων και σωλήνων.
- ♦ Αποφεύγετε να αγγίζετε τη μύτη ενός τρυπανιού αμέσως μετά τη διάτρηση, γιατί μπορεί να είναι καυτή.
- ♦ Η προβλεπόμενη χρήση περιγράφεται στο παρόν εγχειρίδιο οδηγιών. Η χρήση οποιοσδήποτε αξεσουάρ ή προσαρτήματος ή η εκτέλεση οποιασδήποτε εργασίας με αυτό το εργαλείο, πέραν των όσων συνιστώνται στο παρόν εγχειρίδιο οδηγιών, μπορεί να παρουσιάσει κίνδυνο τραυματισμού και/ή υλικών ζημιών.

## Ασφάλεια των άλλων

- ♦ Αυτό το εργαλείο δεν προορίζεται για χρήση από άτομα (περιλαμβανομένων παιδιών) με μειωμένες σωματικές, αντιληπτικές ή διανοητικές ικανότητες, ή με έλλειψη εμπειρίας και γνώσης, εκτός αν σε αυτά έχει παρασχεθεί από άτομο υπεύθυνο για την ασφάλειά τους επίβλεψη ή εκπαίδευση σχετικά με τη χρήση της συσκευής.
- ♦ Τα παιδιά θα πρέπει να βρίσκονται υπό επίβλεψη ώστε να διασφαλίζεται ότι δεν παίζουν με τη συσκευή.

## Υπολειπόμενοι κίνδυνοι

Πρόσθετοι υπολειπόμενοι κίνδυνοι μπορεί να προκύψουν κατά τη χρήση του εργαλείου που ενδεχομένως δεν περιλαμβάνεται στις εσωκλειόμενες προειδοποιήσεις ασφαλείας. Αυτοί οι κίνδυνοι μπορούν να προκύψουν από κακή χρήση, παρατεταμένη χρήση κλπ. Ακόμα και με την εφαρμογή των σχετικών κανονισμών ασφαλείας και την εφαρμογή διατάξεων ασφαλείας, ορισμένοι υπολειπόμενοι κίνδυνοι δεν μπορούν να αποφευχθούν. Σ' αυτούς περιλαμβάνονται:

- ♦ Τραυματισμοί λόγω επαφής με οποιαδήποτε περιστρεφόμενα/κινούμενα μέρη.
- ♦ Τραυματισμοί κατά την αλλαγή οπωσδήποτε εξαρτημάτων, λεπίδων ή αξεσουάρ.

- ♦ Τραυματισμοί από παρατεταμένη χρήση ενός εργαλείου. Όταν χρησιμοποιείτε οποιοδήποτε εργαλείο για παρατεταμένες περιόδους, να βεβαιώνετε ότι κάνετε τακτικά διαλείμματα.
- ♦ Βλάβη της ακοής.
- ♦ Κίνδυνοι για την υγεία προκαλούμενοι από την εισπνοή σκόνης που παράγεται κατά τη χρήση του εργαλείου (παράδειγμα:- εργασία με ξύλο, ειδικά βελανιδιάς, οξιάς και MDF)

### Κραδασμοί

Οι δηλωθείσες τιμές εκπομπών κραδασμών που αναφέρονται στα τεχνικά δεδομένα και στη δήλωση συμμόρφωσης έχουν μετρηθεί σύμφωνα με τυποποιημένη μέθοδο δοκιμής που παρέχεται από το πρότυπο EN 62841 και μπορεί να χρησιμοποιηθεί για σύγκριση ενός εργαλείου με ένα άλλο. Η δηλωθείσα τιμή εκπομπής κραδασμών μπορεί να χρησιμοποιηθεί και σε προκαταρκτική αξιολόγηση της έκθεσης.

**Προειδοποίηση!** Η τιμή εκπομπής κραδασμών κατά τη χρήση του ηλεκτρικού εργαλείου στην πράξη μπορεί να διαφέρει από τη δηλωθείσα τιμή ανάλογα με τους τρόπους χρήσης του εργαλείου. Το επίπεδο κραδασμών μπορεί να αυξηθεί πάνω από το αναφερόμενο επίπεδο.

Κατά τον προσδιορισμό της έκθεσης σε κραδασμούς για τον καθορισμό των απαιτούμενων μέτρων ασφαλείας σύμφωνα με την οδηγία 2002/44/ΕΚ για την προστασία προσώπων που χρησιμοποιούν συχνά ηλεκτρικά εργαλεία στην εργασία τους, μια προσεγγιστική εκτίμηση της έκθεσης σε κραδασμούς πρέπει να λαμβάνει υπόψη τις πραγματικές συνθήκες χρήσης και τον τρόπο χρήσης του εργαλείου, συμπεριλαμβανομένων και όλων των επιμέρους τμημάτων του κύκλου εργασίας, όπως τα χρονικά διαστήματα που το εργαλείο ήταν εκτός λειτουργίας και τα διαστήματα λειτουργίας χωρίς φορτίο, επιπλέον του χρόνου πίεσης της σκανδάλης.

### Ετικέτες πάνω στο εργαλείο

Το εργαλείο φέρει τα παρακάτω σύμβολα μαζί με τον κωδικό ημερομηνίας:



**Προειδοποίηση!** Για να μειωθεί ο κίνδυνος τραυματισμού, ο χρήστης πρέπει να διαβάσει το εγχειρίδιο οδηγιών



Φοράτε προστατευτικά ακοής κατά την εργασία με κρουστικά δράπανα. Η έκθεση σε θόρυβο μπορεί να προκαλέσει απώλεια ακοής.



Μην κοιτάζετε τη λάμπα λειτουργίας

## Πρόσθετες οδηγίες ασφαλείας για μπαταρίες και φορτιστές

### Μπαταρίες

- ♦ Ποτέ μην επιχειρήσετε να τς ανοίξετε για οποιονδήποτε λόγο.
- ♦ Μην εκθέτετε την μπαταρία σε νερό.
- ♦ Μην τις αποθηκεύετε σε θέσεις όπου η θερμοκρασία ενδέχεται να υπερβεί τους 40 °C.
- ♦ Να τις φορτίζετε μόνο σε θερμοκρασίες περιβάλλοντος μεταξύ 10 °C και 40 °C.
- ♦ Η φόρτιση πρέπει να γίνεται μόνο με το φορτιστή που παρέχεται μαζί με το εργαλείο.
- ♦ Κατά την απόρριψη των μπαταριών, να ακολουθείτε τις οδηγίες που παρέχονται στην ενότητα "Προστασία του περιβάλλοντος".



Μην επιχειρήσετε να φορτίσετε μπαταρίες που έχουν υποστεί ζημιά.

### Φορτιστές

- ♦ Ο φορτιστής BLACK+DECKER πρέπει να χρησιμοποιείται αποκλειστικά και μόνο για τη φόρτιση της μπαταρίας που συνδέει το εργαλείο. Άλλες μπαταρίες ενδέχεται να εκραγούν, προκαλώντας τραυματισμό ατόμων και ζημιές.
- ♦ Μην επιχειρήσετε ποτέ να φορτίσετε μη επαναφορτιζόμενες μπαταρίες.
- ♦ Φροντίστε για την άμεση αντικατάσταση τυχόν ελαττωματικών καλωδίων.
- ♦ Μην εκθέτετε το φορτιστή σε νερό.
- ♦ Μην ανοίξετε το φορτιστή.
- ♦ Μην εισάγετε οποιαδήποτε αντικείμενα μέσα στο φορτιστή.



Ο φορτιστής προορίζεται για χρήση μόνο σε εσωτερικούς χώρους.



Διαβάστε το εγχειρίδιο οδηγιών πριν τη χρήση.

### Ασφάλεια χρήσης ηλεκτρικού ρεύματος



Ο φορτιστής σας φέρει διπλή μόνωση. Επομένως, δεν απαιτείται αγωγός γείωσης. Ελέγχετε πάντα ότι η τάση ρεύματος δικτύου συμφωνεί με αυτήν που αναγράφεται στην πινακίδα τεχνικών χαρακτηριστικών. Ποτέ μην επιχειρήσετε να αντικαταστήσετε τη μονάδα φορτιστή με κανονικό φως ρεύματος δικτύου.

- ♦ Αν το καλώδιο ρεύματος έχει υποστεί ζημιά, πρέπει να αντικατασταθεί από τον κατασκευαστή ή εξουσιοδοτημένο κέντρο σέρβις BLACK+DECKER, για την αποφυγή κινδύνων.

## Χαρακτηριστικά

Αυτό το εργαλείο διαθέτει μερικά από ή όλα τα παρακάτω χαρακτηριστικά.

1. Διακόπτης ρύθμισης ταχύτητας
2. Συρόμενος επιλογέας κίνησης εμπρός/πίσω
3. Κολάρο ρύθμισης ροπής
4. Αυτόματο τσok
5. Σύστημα γραναζιών διπλού εύρους ταχυτήτων
6. Φως εργασίας LED
7. Μπαταρία
8. Κουμπί απελευθέρωσης μπαταρίας

## Συναρμολόγηση

### Χρήση

**Προειδοποίηση!** Αφήνετε το εργαλείο να λειτουργεί με το δικό της ρυθμό. Μην το υπερφορτώνετε.

### Φόρτιση της μπαταρίας (εικ. A1, A2)

Η μπαταρία πρέπει να φορτιστεί πριν την πρώτη χρήση και όποτε αδυνατεί να παρέχει επαρκή ισχύ σε εργασίες η εκτέλεση των οποίων ήταν προγενέστερα εύκολη. Η μπαταρία μπορεί να θερμαίνεται κατά τη φόρτιση. Κάτι τέτοιο είναι φυσιολογικό και δεν υποδηλώνει πρόβλημα.

**Προειδοποίηση!** Μην φορτίζετε την μπαταρία σε θερμοκρασίες περιβάλλοντος κάτω από 10 °C ή πάνω από 40 °C. Η συνιστώμενη θερμοκρασία φόρτισης είναι περίπου 24 °C.

**Σημείωση:** Ο φορτιστής δεν θα φορτίσει μια μπαταρία με θερμοκρασία κυψέλης κάτω από περίπου 10 °C ή πάνω από 40 °C.

**Η μπαταρία θα πρέπει να παραμείνει στο φορτιστή και αυτός θα αρχίσει να τη φορτίζει αυτόματα μόλις η θερμοκρασία κυψέλης αυξηθεί ή μειωθεί αντίστοιχα.**

- ◆ Συνδέστε το φορτιστή (9) σε οποιαδήποτε κανονική πρίζα ρεύματος 230 V 50 Hz.
- ◆ Τοποθετήστε το πακέτο μπαταρίας (7) μέσα στο φορτιστή όπως δείχνει η εικ. A1, A2.



Η λυχνία LED (9a) θα αναβοσβήνει υποδεικνύοντας ότι η μπαταρία φορτίζεται.



Η ολοκλήρωση της φόρτισης υποδεικνύεται από τη λυχνία LED (9a) η οποία παραμένει αναμμένη συνεχώς. Το πακέτο μπαταρίας

είναι πλήρως φορτισμένο και μπορεί να χρησιμοποιηθεί άμεσα ή να παραμείνει στο φορτιστή.

**Προειδοποίηση!** Κίνδυνος φωτιάς. Όταν αφαιρείτε την μπαταρία από το φορτιστή, να βεβαιώνετε ότι πρώτα αφαιρείτε το φορτιστή από την πρίζα, και κατόπιν να αφαιρείτε την μπαταρία από το φορτιστή.

### Διαγνωστικά φορτιστή

Αυτός ο φορτιστής έχει σχεδιαστεί να ανιχνεύει ορισμένα προβλήματα που μπορεί να προκύψουν με τα πακέτα μπαταριών ή την πηγή ρεύματος.

Τα προβλήματα υποδεικνύονται από μια λυχνία LED που αναβοσβήνει με διαφορετικά μοτίβα αναλαμπών.

### Προβληματική μπαταρία



Ο φορτιστής μπορεί να ανιχνεύσει ότι μια μπαταρία είναι εξασθενημένη ή έχει υποστεί ζημιά. Η λυχνία LED αναβοσβήνει με το

μοτίβο αναλαμπών που υποδεικνύεται στην ετικέτα. Αν δείτε αυτό το μοτίβο αναλαμπών που αντιστοιχεί σε προβληματική μπαταρία, μη συνεχίσετε τη φόρτιση της μπαταρίας. Επιστρέψτε την σε κέντρο σέρβις ή σε θέση συλλογής για ανακύκλωση.

### Καθυστέρηση θερμού/ ψυχρού πακέτου



Αν ο φορτιστής ανιχνεύσει μπαταρία με υπερβολικά υψηλή ή χαμηλή θερμοκρασία,

ξεκινά αυτόματα μια Καθυστέρηση θερμού/ ψυχρού πακέτου μπαταρίας, αναστέλλοντας τη φόρτιση έως ότου η μπαταρία έχει φθάσει σε κατάλληλη θερμοκρασία. Αφού συμβεί αυτό, ο φορτιστής μεταβαίνει αυτόματα σε λειτουργία φόρτισης του πακέτου. Αυτή η λειτουργία διασφαλίζει τη μέγιστη διάρκεια ζωής της μπαταρίας. Η λυχνία αναβοσβήνει με το μοτίβο αναλαμπών που υποδεικνύεται στην ετικέτα.

### Παραμονή της μπαταρίας στο φορτιστή

Ο φορτιστής και το πακέτο μπαταρίας μπορούν να παραμείνουν συνδεδεμένα επ' αόριστον με τη λυχνία LED αναμμένη. Ο φορτιστής θα διατηρεί το πακέτο μπαταρίας σε βέλτιστη κατάσταση και πλήρως φορτισμένο. Αυτός ο φορτιστής διαθέτει μια αυτόματη λειτουργία συντήρησης η οποία εξισώνει ή εξισορροπεί τα μεμονωμένα στοιχεία στο πακέτο μπαταρίας για να επιτρέπει στο πακέτο μπαταρίας να λειτουργεί σε μέγιστη χωρητικότητα.

Τα πακέτα μπαταρίας πρέπει να υποβάλλονται στη διαδικασία συντήρησης κάθε εβδομάδα ή όταν η μπαταρία δεν παρέχει πλέον το ίδιο αποτέλεσμα όπως παλαιότερα. Για να χρησιμοποιήσετε τη λειτουργία αυτόματης συντήρησης, τοποθετήστε το πακέτο μπαταρίας στο φορτιστή και αφήστε το εκεί για τουλάχιστον 8 ώρες.

### Σημαντικές επισημάνσεις για τη φόρτιση

- ◆ Μπορείτε να επιτύχετε την καλύτερη δυνατή διάρκεια ζωής και τη μέγιστη απόδοση εάν φορτίζετε το πακέτο μπαταρίας σε θερμοκρασία 18 °C - 24 °C. ΜΗ φορτίζετε το πακέτο μπαταρίας σε θερμοκρασίες αέρα που είναι μικρότερες από +4,5 °C ή μεγαλύτερες από +40 °C. Αυτό είναι σημαντικό και θα αποτρέψει τη σοβαρή βλάβη του πακέτου μπαταρίας.

- ◆ Ο φορτιστής και το πακέτο μπαταρίας μπορεί να θερμανθούν αισθητά κατά τη φόρτιση. Αυτό είναι κανονικό χαρακτηριστικό της λειτουργίας και όχι ένδειξη προβλήματος. Για να διευκολύνετε την ψύξη του πακέτου μπαταρίας μετά τη χρήση, αποφεύγετε να τοποθετείτε το φορτιστή ή το πακέτο μπαταρίας σε θερμό περιβάλλον, όπως σε μεταλλικό παράπηγμα ή σε μη μονωμένο τρέιλερ.
- ◆ Αν το πακέτο μπαταρίας δεν φορτίζεται σωστά:
  - ◆ Ελέγξτε τη λειτουργία της πρίζας συνδέοντας ένα φωτιστικό ή άλλη συσκευή.
  - ◆ Ελέγξτε μήπως η πρίζα συνδέεται σε διακόπτη που διακόπτει το ρεύμα όταν σβήνεται τα φώτα.
  - ◆ Μετακινήστε το φορτιστή και το πακέτο μπαταρίας σε θέση όπου η θερμοκρασία αέρα περιβάλλοντος είναι περίπου 18 °C – 24 °C.
  - ◆ Αν τα προβλήματα φόρτισης επιμένουν, παραδώστε το εργαλείο, το πακέτο μπαταρίας και το φορτιστή στο τοπικό σας κέντρο σέρβις.
- ◆ Το πακέτο μπαταρίας πρέπει να επαναφορτίζεται όταν δεν είναι σε θέση να παράγει επαρκή ισχύ σε εργασίες που γίνοντουσαν εύκολα πιο πριν. ΜΗ ΣΥΝΕΧΙΣΤΕ τη χρήση υπό αυτές τις συνθήκες. Ακολουθήστε τη διαδικασία φόρτισης. Μπορείτε επίσης να φορτίσετε όποτε επιθυμείτε ένα πακέτο μπαταρίας που δεν έχει εξαντληθεί πλήρως, χωρίς αυτό να έχει αρνητικές συνέπειες.
- ◆ Ξένα υλικά αγωγίμης φύσης, όπως είναι, αλλά χωρίς να περιορίζονται σε, σκόνη από εργασίες λείανσης, μεταλλικά ρινίσματα, σύρμα τριψίματος, αλουμινοχαρτό ή οποιαδήποτε συσσώρευση μεταλλικών σωματιδίων πρέπει να κρατάτε μακριά από τις κοιλότητες του φορτιστή. Αποσυνδέστε το φορτιστή από την πρίζα πριν επιχειρήσετε να τον καθαρίσετε.
- ◆ Μην παγώσετε ή βυθίσετε το τροφοδοτικό σε νερό ή οποιοδήποτε άλλο υγρό.

### Τοποθέτηση και αφαίρεση του πακέτου μπαταρίας από το εργαλείο (εικ. Β)

**Προειδοποίηση!** Πριν την αφαίρεση ή την τοποθέτηση της μπαταρίας, βεβαιωθείτε ότι έχετε χρησιμοποιήσει το κουμπί ασφάλισης (2), για να αποφύγετε ενεργοποίηση του διακόπτη.

Για να εγκαταστήσετε το πακέτο μπαταρίας:

- ◆ Εισαγάγετε το πακέτο μπαταρίας (7) στο εργαλείο, έως ότου ακούσετε χαρακτηριστικό ήχο κλικ (εικ. Β).

### Αφαίρεση του πακέτου μπαταρίας από το εργαλείο (εικ. C)

- ◆ Πατήστε το κουμπί απελευθέρωσης της μπαταρίας (8) όπως δείχνει η (εικ. C) και τραβήξτε το πακέτο μπαταρίας έξω από το εργαλείο.

## Οδηγίες χρήσης

### Διακόπτης σκανδάλης και κουμπί αντιστροφής κίνησης (εικ. D)

- ◆ Ενεργοποιείτε και απενεργοποιείτε το δράπανο πατώντας και αφήνοντας αντίστοιχα το διακόπτη σκανδάλης (1). Όσο περισσότερο πατάτε τη σκανδάλη, τόσο ταχύτερα λειτουργεί το δράπανο.
- ◆ Το κουμπί ελέγχου κίνησης εμπρός/όπισθεν (2) καθορίζει την κατεύθυνση περιστροφής του εργαλείου και επίσης χρησιμεύει ως κουμπί ασφάλισης στην απενεργοποιημένη κατάσταση.
- ◆ Για να επιλέξετε περιστροφική κίνηση προς τα εμπρός, απελευθερώστε το διακόπτη σκανδάλης και πιάστε το κουμπί ελέγχου κίνησης εμπρός/όπισθεν προς τα αριστερά.
- ◆ Για να επιλέξετε την αντίθετη κατεύθυνση κίνησης, μετακινήστε το κουμπί ελέγχου κίνησης εμπρός/όπισθεν στην αντίθετη κατεύθυνση.

**Σημείωση:** Η μεσαία θέση του κουμπιού ελέγχου ασφαρίζει το εργαλείο στη θέση απενεργοποίησης. Όταν αλλάζετε τη θέση του κουμπιού ελέγχου, να βεβαιώνετε ότι έχει ελευθερωθεί η σκανδάλη.

### Έλεγχος της ροπής (εικ. E)

Αυτό το εργαλείο είναι εξοπλισμένο με ένα κολάρο (3) για την επιλογή τρόπου λειτουργίας και για τη ρύθμιση της ροπής, όταν σφίγγετε βίδες. Οι μεγάλες βίδες και τα σκληρά τεμάχια εργασίας χρειάζονται μεγαλύτερη ρύθμιση ροπής από τις μικρές βίδες και τα μαλακά τεμάχια εργασίας.

- ◆ Για διάτρηση σε ξύλο, μέταλλο και πλαστικά, ρυθμίστε το κολάρο στη θέση με το σύμβολο της διάτρησης
- ◆ Για βίδωμα, ρυθμίστε το κολάρο στην επιθυμητή ρύθμιση. Αν δεν γνωρίζετε ακόμη την κατάλληλη ρύθμιση, συνεχίστε ως εξής:
- ◆ Τοποθετήστε το κολάρο στη χαμηλότερη ρύθμιση ροπής.
- ◆ Σφίξτε την πρώτη βίδα.
- ◆ Αν ο συμπλέκτης αποσυμπλέκεται πριν επιτύχετε το επιθυμητό αποτέλεσμα, αυξήστε τη ρύθμιση του κολάρου και συνεχίστε τη σύσφιξη της βίδας. Επαναλάβετε μέχρι να επιτύχετε τη σωστή ρύθμιση. Χρησιμοποιήστε την ίδια ρύθμιση και για τις υπόλοιπες βίδες.

### Αυτόματο τσοκ (εικ. F)

**Προειδοποίηση!** Πριν την αφαίρεση ή την τοποθέτηση αξεσουάρ, βεβαιωθείτε ότι έχετε χρησιμοποιήσει το κουμπί ασφάλισης (2), για να αποφύγετε ενεργοποίηση του διακόπτη.

Για να τοποθετήσετε ένα τρυπάνι ή άλλο αξεσουάρ:

- ◆ Πιάστε το πίσω μισό του τσοκ (4) με το ένα χέρι και χρησιμοποιήστε το άλλο χέρι για να περιστρέψετε το μπροστινό μισό σε αριστερόστροφη κατεύθυνση όπως το βλέπετε από την πλευρά του τσοκ.

- ♦ Τοποθετήστε τη μύτη ή άλλο αξεσουάρ τελείως μέσα στο τσοκ και σφίξτε το τσοκ καλά κρατώντας το πίσω μέρος του τσοκ και περιστρέφοντας το μπροστινό τμήμα δεξιόστροφα όπως φαίνεται από την πλευρά του τσοκ.

**Προειδοποίηση!** Μην επιχειρήσετε να σφίξετε τρυπάνια (ή οποιοδήποτε άλλο αξεσουάρ) πιάνοντας το μπροστινό μέρος του τσοκ και ενεργοποιώντας το εργαλείο. Μπορεί να προκληθεί ζημιά στο τσοκ και τραυματισμός κατά την αλλαγή των αξεσουάρ με αυτόν τον τρόπο.

### Σύστημα γρاناζιών διπλού εύρους ταχύτητας (Εικόνα G)

Το χαρακτηριστικό διπλής περιοχής του δράπανου σας επιτρέπει να αλλάζετε ταχύτητες για μεγαλύτερη ευελιξία χρήσης. Για να επιλέξετε τη ρύθμιση χαμηλής ταχύτητας, υψηλής ροπής (θέση 1), απενεργοποιήστε το εργαλείο και αφήστε το να σταματήσει. Μετακινήστε το κουμπί επιλογής ταχύτητας (5) σε κατεύθυνση αντίθετη του τσοκ. Για να επιλέξετε τη ρύθμιση υψηλής ταχύτητας, χαμηλής ροπής (θέση 2), απενεργοποιήστε το εργαλείο και αφήστε το να σταματήσει.

Μετακινήστε το κουμπί επιλογής ταχύτητας προς την κατεύθυνση του τσοκ.

**Σημείωση:** Μην αλλάζετε ταχύτητα με το εργαλείο εν κινήσει. Αν δυσκολεύεστε στην αλλαγή ταχύτητων, βεβαιωθείτε ότι το κουμπί διπλής περιοχής ταχύτητων έχει μετακινηθεί είτε τελείως μπροστά είτε τελείως πίσω.

### Διάρθρωση/βίδωμα

- ♦ Επιλέξτε περιστροφική κίνηση εμπρός ή όπισθεν χρησιμοποιώντας το συρόμενο κουμπί κίνησης εμπρός/όπισθεν (2).
- ♦ Για να ενεργοποιήσετε το εργαλείο, πιέστε το διακόπτη (1). Η ταχύτητα λειτουργίας του εργαλείου εξαρτάται από το πόσο πιέζετε το διακόπτη.
- ♦ Για να απενεργοποιήσετε το εργαλείο, ελευθερώστε το διακόπτη.

### Συμβουλές για βέλτιστη χρήση

#### Διάρθρωση

- ♦ Χρησιμοποιείτε μόνο αιχμηρά τρυπάνια.
- ♦ Υποστηρίξτε και στερεώστε σωστά το τεμάχιο εργασίας, όπως υποδεικνύεται στις Οδηγίες ασφαλείας.
- ♦ Χρησιμοποιείτε τον κατάλληλο και απαιτούμενο εξοπλισμό ασφαλείας, όπως υποδεικνύεται στις οδηγίες ασφαλείας.
- ♦ Προστατεύετε και διατηρείτε σε καλή κατάσταση την περιοχή εργασίας, σύμφωνα με τις Οδηγίες ασφαλείας.
- ♦ Ξεκινάτε τη διάρθρωση με πολύ μικρή ταχύτητα, χρησιμοποιώντας μόνο μικρή πίεση, έως ότου ξεκινήσει η σπλή και επαρκεί να συγκρατεί το τρυπάνι χωρίς να κινδυνεύει να γλιστρήσει έξω από αυτή.

- ♦ Πάντα εφαρμόζετε πίεση σε ευθεία γραμμή με το τρυπάνι. Ασκήστε όση πίεση χρειάζεται για να μπορεί η μύτη να διατρήσει το αντικείμενο, όχι όμως σε υπερβολικό βαθμό γιατί υπάρχει κίνδυνος να κολλήσει το μοτέρ ή να παραμορφωθεί η μύτη.
- ♦ Κρατάτε το τρυπάνι καλά και με τα δύο χέρια ώστε να ελέγχετε την κίνηση συστροφής του.
- ♦ ΑΝ ΤΟ ΔΡΑΠΑΝΟ ΑΚΙΝΗΤΟΠΟΙΗΘΕΙ, ΜΗΝ ΠΑΤΑΤΕ ΚΑΙ ΑΦΗΝΕΤΕ ΤΗ ΣΚΑΝΔΑΛΗ ΠΡΟΣΠΑΘΩΝΤΑΣ ΝΑ ΤΟ ΘΕΣΕΤΕ ΠΑΛΙ ΣΕ ΚΙΝΗΣΗ. ΜΠΟΡΕΙ ΝΑ ΠΡΟΚΛΗΘΕΙ ΖΗΜΙΑ ΣΤΟ ΔΡΑΠΑΝΟ.
- ♦ Ελαχιστοποιήστε το ενδεχόμενο κολλήματος μειώνοντας την πίεση και τρυπώντας αργά στο τελευταίο τμήμα της σπής.
- ♦ Διατηρήστε το μοτέρ σε λειτουργία καθώς τραβάτε τη μύτη τρυπανιού από την σπή διάρθρωσης. Αυτό θα βοηθήσει να αποτραπεί το σφήνωμα.
- ♦ Βεβαιωθείτε ότι ο διακόπτης ενεργοποιεί και απενεργοποιεί το δράπανο.

### Διάρθρωση σε ξύλο

Οι σπές στο ξύλο μπορούν να γίνουν με τις ίδιες ελικοειδείς μύτες τρυπανιού που χρησιμοποιούνται μέταλλο ή με επίπεδες μύτες. Αυτές οι μύτες θα πρέπει να είναι αιχμηρές και να τις τραβάτε έξω συχνά κατά τη διάρθρωση ώστε να φεύγουν τα πριονίδια από τις αυλακώσεις τους.

### Διάρθρωση σε μέταλλο

Χρησιμοποιείτε λιπαντικό κοπής κατά τη διάρθρωση μετάλλων. Εξαιρέσεις είναι ο χυτοσίδηρος και ο ορείχαλκος όπου πρέπει να γίνεται ζήρη διάρθρωση. Τα πιο αποτελεσματικά λιπαντικά κοπής είναι το θειωμένο λάδι κοπής και το λαρδί.

### Διάρθρωση σε υλικά τοιχοποιίας

Για διάρθρωση σε υλικά τοιχοποιίας ρυθμίστε το κολάρο (3) στη θέση κρουστικής διάρθρωσης, ευθυγραμμίζοντας το σύμβολο με την ένδειξη.

Μετακινήστε τον επιλογέα ταχύτητας (5) προς το μπροστινό μέρος του εργαλείου (2η ταχύτητα).

### Βίδωμα

- ♦ Χρησιμοποιείτε πάντα μύτες κατασβιδιού του κατάλληλου τύπου και μεγέθους.
- ♦ Εάν συναντήσετε δυσκολία κατά τη σύσφιξη βιδών, δοκιμάστε να χρησιμοποιήσετε μικρή ποσότητα υγρού πλυσίματος ή σαπουνιού για λίπανση.
- ♦ Πάντοτε να κρατάτε το εργαλείο και τη μύτη κατασβιδιού σε ευθεία γραμμή με τη βίδα

## Αντιμετώπιση προβλημάτων

Πρόβλημα	Πιθανή αιτία	Πιθανή λύση
Η μονάδα δεν τίθεται σε λειτουργία.	Το πακέτο μπαταρίας δεν είναι φορτισμένο.	Ελέγξτε τις απαιτήσεις φόρτισης του πακέτου μπαταρίας
Το πακέτο μπαταρίας δεν φορτίζεται.	Ο φορτιστής δεν έχει συνδεθεί στην πρίζα.  Η θερμοκρασία αέρα περιβάλλοντος είναι πολύ θερμή ή πολύ ψυχρή.	Συνδέστε το φορτιστή σε πρίζα που λειτουργεί.  Μετακινήστε το φορτιστή και την μπαταρία σε θέση με θερμοκρασία αέρα περιβάλλοντος πάνω από 4,5 °C (40 °F) και κάτω από 40,5 °C (105 °F)
Η μονάδα σβήνει ξαφνικά.	Το πακέτο μπαταρίας έχει φθάσει στο όριο μέγιστης θερμοκρασίας του.  Εκτός φόρτισης, (Για να μεγιστοποιηθεί η διάρκεια ζωής του, το πακέτο μπαταρίας έχει σχεδιαστεί να απενεργοποιείται άμεσα όταν εξαντληθεί η φόρτίσή του)	Αφήστε το πακέτο μπαταρίας να κρυώσει.  Τοποθετήστε το στο φορτιστή και αφήστε το να φορτιστεί.

## Συντήρηση

Το ηλεκτρικό σας εργαλείο BLACK+DECKER έχει σχεδιαστεί να λειτουργεί για μεγάλη χρονική περίοδο με ελάχιστη συντήρηση. Η συνεχής ικανοποιητική λειτουργία εξαρτάται από τη σωστή φροντίδα και τον τακτικό καθαρισμό του εργαλείου. Ο φορτιστής σας δεν χρειάζεται καμία άλλη συντήρηση πέραν του τακτικού καθαρισμού.

**Προειδοποίηση!** Πριν πραγματοποιήσετε οποιαδήποτε συντήρηση στο εργαλείο, αφαιρέστε την μπαταρία από το εργαλείο. Αποσυνδέετε το φορτιστή από την πρίζα πριν τον καθαρίσετε.

- ◆ Να καθαρίζετε τακτικά τις εγχοπές εξαερισμού του εργαλείου και του φορτιστή με μια μαλακή βούρτσα ή με ένα στεγνό πανί.
- ◆ Να καθαρίζετε τακτικά το περίβλημα του μοτέρ με ένα ελαφρά υγρό πανί. Μη χρησιμοποιείτε καθαριστικά που χαράζουν ή περιέχουν διαλύτες.
- ◆ Να ανοίγετε τακτικά το τσοκ και να το χτυπάτε ελαφρά για να αφαιρείται η σκόνη από το εσωτερικό του.

## Προστασία του περιβάλλοντος



Χωριστή συλλογή. Προϊόντα και μπαταρίες που επισημαίνονται με αυτό το σύμβολο δεν πρέπει να απορρίπτονται μαζί με τα κανονικά οικιακά απορρίμματα.

Τα προϊόντα και οι μπαταρίες περιέχουν υλικά που μπορούν να ανακτηθούν ή να ανακυκλωθούν ώστε να μειωθούν οι ανάγκες για πρώτες ύλες.

Παρακαλούμε να ανακυκλώνετε τα ηλεκτρικά προϊόντα και τις μπαταρίες σύμφωνα με τους τοπικούς κανονισμούς.

Περισσότερες πληροφορίες διατίθενται στον ιστότοπο [www.2helpU.com](http://www.2helpU.com)

## Τεχνικά δεδομένα

		BDASB18V
Τάση	$V_{DC}$	18
Στροφές χωρίς φορτίο	$\text{min}^{-1}$	0 - 360/0 - 1400
Μέγ. ροπή	Nm	45
Μέγεθος τσοκ	mm	1-10
Μέγ. διατρητική ικανότητα		
Χάλυβας/ξύλο/υλικά τοιχοποιίας	mm	10/25/10
Βάρος	kg	0,9 (με μπαταρία 1,3)

Φορτιστής		90589867	90590287-06	90634971
Τάση εισόδου	$V_{AC}$	230	230	230
Τάση εξόδου	$V_{DC}$	18	18	18
Ρεύμα	mA	200	400	1A
Χρόνος φόρτισης, πέρ.	Ωρες	8	3 - 5	1,5

Μπαταρία	BL1518	
Τάση	$V_{AC}$	18
Χωρητικότητα	Ah	1,5
Τύπος	Li-Ion	

### Στάθμη ηχητικής πίεσης σύμφωνα με το πρότυπο EN 62841:

Ηχητική πίεση ( $L_{pA}$ ) 87,5 dB(A), αβεβαιότητα (K) 5 dB(A)

Ηχητική ισχύς ( $L_{WA}$ ) 98,5 dB(A), αβεβαιότητα (K) 5 dB(A)

### Συνολικές τιμές κραδασμών (άθροισμα διανυσμάτων τριών αξόνων) σύμφωνα με το EN 62841:

Κρουστική διάτρηση σε σκυροδόμα ( $a_{h,rd}$ ) 14.2 m/s<sup>2</sup>, αβεβαιότητα (K) 1.5 m/s<sup>2</sup>

Κρουστική διάτρηση σε μέταλλο ( $a_{h,st}$ ) 1.1 m/s<sup>2</sup>, αβεβαιότητα (K) 1.5 m/s<sup>2</sup>

## Δήλωση συμμόρφωσης ΕΚ

ΟΔΗΓΙΑ ΣΧΕΤΙΚΑ ΜΕ ΤΑ ΜΗΧΑΝΗΜΑΤΑ



BDASB18 - Κρουστικό δράπανο

Η Black & Decker δηλώνει ότι τα προϊόντα αυτά που περιγράφονται στα «Τεχνικά στοιχεία» βρίσκονται σε συμμόρφωση με: 2006/42/EC, EN62841-1:2015 EN62841-2-1:2018+A11:2019.

Αυτά τα προϊόντα συμμορφώνονται και με την Οδηγία 2014/30/EE και 2011/65/EE. Για περισσότερες πληροφορίες, απευθυνθείτε στη Black & Decker στη διεύθυνση που ακολουθεί ή ανατρέξτε στο πίσω μέρος του χειριδίου.

Ο υπογράφων είναι υπεύθυνος για τη σύνταξη του τεχνικού φακέλου και υποβάλλει τη δήλωση για λογαριασμό της

Black & Decker.





Ed Higgins

Director – Consumer Power Tools  
Black & Decker Europe, 270 Bath Road, Slough,  
Berkshire, SL1 4DX  
Ηνωμένο Βασίλειο  
29/11/2019

## Εγγύηση

Η Black & Decker είναι σίγουρη για την ποιότητα των προϊόντων της και προσφέρει στους καταναλωτές εγγύηση 24 μηνών από την ημερομηνία της αγοράς. Αυτή η εγγύηση συμπληρώνει και με κανένα τρόπο δεν παραβάλλει τα νόμιμα δικαιώματά σας. Η εγγύηση ισχύει εντός της επικράτειας των χωρών μελών της Ευρωπαϊκής Ένωσης και της Ευρωπαϊκής Ζώνης Ελεύθερων Συναλλαγών.

Για να υποβάλετε αξίωση βάσει της εγγύησης, η αξίωση θα πρέπει να είναι σύμφωνη με τους Όρους και τις Προϋποθέσεις της Black & Decker και θα χρειαστεί να υποβάλετε απόδειξη αγοράς στον πωλητή ή σε εξουσιοδοτημένο αντιπρόσωπο επισκευών.

Μπορείτε να αποκτήσετε τους Όρους και προϋποθέσεις της εγγύησης 2 έτους της Stanley Fat Max και να μάθετε την τοποθεσία του πλησιέστερου εξουσιοδοτημένου αντιπροσώπου επισκευών στο Internet στο [www.2helpU.com](http://www.2helpU.com), ή επικοινωνώντας με το τοπικό σας γραφείο Black & Decker στη διεύθυνση που υποδεικνύεται στο παρόν εγχειρίδιο.

Επισκεφθείτε τον ιστότοπό μας [www.blackanddecker.co.uk](http://www.blackanddecker.co.uk) για να καταχωρίσετε το καινούργιο προϊόν Black & Decker που αποκτήσατε και για να λαμβάνετε ενημερώσεις σχετικά με νέα προϊόντα και ειδικές προσφορές.

## Utilisation prévue

Votre perceuse à percussion BLACK+DECKER BDASB18V a été conçue pour visser et pour percer le bois, le métal et la maçonnerie. Cet outil est destiné à un usage grand public uniquement.

## Consignes de sécurité

### Avertissements de sécurité générale liés aux outils électriques



**AVERTISSEMENT** Lisez tous les avertissements de sécurité, instructions, illustrations et spécifications fournis avec cet outil électrique. Le non-respect des avertissements et des instructions listés ci-dessous peut entraîner des chocs électriques, des incendies et/ou de graves blessures.

**Conservez tous les avertissements et toutes les instructions afin de pouvoir vous y référer dans le futur.** Le terme "outil électrique" mentionné dans tous les avertissements listés ci-dessous fait référence à vos outils électriques branchés sur secteur (avec câble) ou fonctionnant sur pile ou batterie (sans fil).

#### 1. Sécurité de la zone de travail

- a. **Maintenez la zone de travail propre et bien éclairée.**  
Les zones sombres ou encombrées sont propices aux accidents.
- b. **N'utilisez pas d'outils électriques dans un environnement présentant des risques d'explosion ou en présence de liquides, gaz ou poussières inflammables.** Les outils électriques créent des étincelles qui peuvent enflammer les poussières et les fumées.
- c. **Maintenez les enfants et les autres personnes éloignés lorsqu'un outil électrique est en marche.**  
Toute distraction peut vous faire perdre le contrôle de l'outil.

#### 2. Sécurité électrique

- a. **Les prises des outils électriques doivent correspondre à la prise de courant murale. Ne modifiez jamais la prise d'aucune sorte. N'utilisez aucun adaptateur avec des outils électriques reliés à la terre.** L'utilisation de prises d'origine et de prises murales appropriées permet de réduire le risque de choc électrique.
- b. **Évitez tout contact physique avec des surfaces reliées à la terre comme des tuyaux, des radiateurs, des fours et des réfrigérateurs par exemple.** Il y a sinon un risque accru de choc électrique si votre corps est lui-même relié à la terre.
- c. **N'exposez pas les outils électriques à la pluie, ni à l'humidité.**

Le risque de choc électrique augmente si de l'eau pénètre dans un outil électrique.

- d. **Ne tirez pas sur le cordon d'alimentation. N'utilisez jamais le cordon pour transporter, tirer ou débrancher l'outil électrique. Maintenez le cordon éloigné de la chaleur, de substances grasses, de bords tranchants ou de pièces mobiles.** Les cordons endommagés ou emmêlés augmentent le risque de choc électrique.
- e. **Si vous utilisez un outil électrique à l'extérieur, utilisez une rallonge homologuée pour les travaux extérieurs.** L'utilisation d'une rallonge électrique homologuée pour les travaux en extérieur réduit le risque de choc électrique.
- f. **Si l'utilisation d'un outil électrique dans un endroit humide est inévitable, utilisez une alimentation électrique protégée par un disjoncteur différentiel à courant résiduel (DDR).** L'utilisation d'un DDR réduit le risque de choc électrique.

### 3. Sécurité des personnes

- a. **Restez vigilant, surveillez ce que vous faites et faites preuve de bon sens lorsque vous utilisez un outil électrique. N'utilisez pas d'outils électriques si vous êtes fatigué ou sous l'influence de drogue, d'alcool ou de médicaments.** Tout moment d'inattention pendant l'utilisation d'un outil électrique peut engendrer de graves blessures.
  - b. **Portez des équipements de protection individuelle. Portez toujours une protection oculaire.** Les équipements de protection comme les masques à poussière, les chaussures de sécurité antidérapantes, les casques ou les protections auditives, utilisés à bon escient, réduisent le risque de blessures.
  - c. **Empêchez tout démarrage intempestif. Assurez-vous que l'interrupteur est en position Arrêt avant de raccorder l'outil à l'alimentation électrique et/ou au bloc-batterie ou avant de ramasser ou de transporter l'outil.** Le fait de transporter les outils électriques le doigt sur l'interrupteur ou d'alimenter les outils électriques dont l'interrupteur est déjà en position de marche augmente le risque d'accidents.
  - d. **Retirez toutes les clés ou pinces de réglage avant de mettre l'outil en marche.** Une clé ou une pince restée fixée sur une pièce rotative de l'outil électrique peut engendrer des blessures.
  - e. **Ne vous penchez pas. Gardez les pieds bien ancrés au sol et conservez votre équilibre en permanence.** Cela permet de mieux maîtriser l'outil électrique en cas de situations imprévues.
  - f. **Portez des vêtements appropriés. Ne portez aucun vêtement ample ou bijou. Gardez vos cheveux, vos vêtements et vos gants éloignés des pièces mobiles.** Les vêtements amples, les bijoux ou les cheveux longs peuvent être happés par les pièces mobiles.
  - g. **Si des dispositifs pour le raccordement d'un extracteur de poussières ou des installations pour la récupération sont présents, assurez-vous qu'ils sont correctement raccordés et utilisés.** L'utilisation de dispositifs récupérateurs de poussières réduit les risques liés aux poussières.
  - h. **Ne laissez pas la familiarité acquise grâce à l'utilisation fréquente des outils vous permettre de devenir complaisant et d'ignorer les principes de sécurité des outils.** Une action imprudente peut provoquer des blessures graves en une fraction de seconde.
- ### 4. Utilisation et entretien des outils électriques
- a. **Respectez la capacité de l'outil. Utilisez l'outil approprié en fonction du travail à réaliser.** Un outil adapté fonctionne mieux, de façon plus sûre et à la cadence pour laquelle il a été conçu.
  - b. **N'utilisez pas l'outil électrique si son interrupteur ne permet pas de l'allumer ou de l'éteindre.** Tout outil électrique qui ne peut plus être commandé par son interrupteur est dangereux et doit être réparé.
  - c. **Débranchez la prise du secteur et/ou retirez le bloc-batterie de l'outil électrique avant d'effectuer tout réglage, de changer un accessoire ou de ranger l'outil électrique.** Ces mesures de sécurité préventives réduisent le risque de démarrage accidentel de l'outil électrique.
  - d. **Rangez les outils électriques non utilisés hors de portée des enfants et ne laissez aucune personne ne connaissant pas ces outils ou leurs instructions d'utilisation les faire fonctionner.** Les outils électriques peuvent être dangereux entre des mains inexpérimentées.
  - e. **Entretenez vos outils électriques. Vérifiez que les pièces mobiles sont alignées correctement et qu'elles ne sont pas coincées. Vérifiez qu'aucune pièce n'est cassée et contrôlez l'absence de toute autre condition qui pourrait nuire au bon fonctionnement de l'outil. En cas de dommage, faites réparer l'outil électrique avant de l'utiliser.** De nombreux accidents sont provoqués par des outils électriques mal entretenus.
  - f. **Maintenez les organes de coupe affûtés et propres.** Des organes de coupe bien entretenus et affûtés sont moins susceptibles de rester coincés et sont plus faciles à contrôler.
  - g. **Utilisez l'outil électrique, les accessoires et les embouts d'outils conformément à ces instructions, en tenant compte des conditions de travail, ainsi que du travail à effectuer.** L'utilisation d'un outil électrique à des fins autres que celles pour lesquelles il a été prévu engendre des situations dangereuses.
  - h. **Gardez les poignées et les surfaces de saisie sèches, propres et exemptes d'huile et de graisse.**

Les poignées glissantes et les surfaces de préhension ne permettent pas une manipulation et un contrôle sûrs de l'outil dans des situations inattendues.

## 5. Utilisation et entretien de la batterie de l'outil

- a. **N'effectuez la recharge qu'à l'aide du chargeur spécifié par le fabricant.** Un chargeur adapté pour un type de bloc-batterie peut engendrer un risque d'incendie s'il est utilisé avec un bloc-batterie différent.
- b. **N'utilisez les outils électriques qu'avec les blocs-batteries qui leur sont dédiés.** L'utilisation d'un autre bloc-batterie peut engendrer des blessures et un incendie.
- c. **Lorsque le bloc-batterie n'est pas utilisé, éloignez-le des objets en métal comme les trombones, les pièces de monnaies, les clés, les clous, les vis ou d'autres petits objets métalliques qui pourraient créer un contact entre les deux bornes.** La mise en court-circuit des bornes d'une batterie peut provoquer des brûlures ou un incendie.
- d. **En cas d'utilisation abusive, du liquide peut être éjecté de la batterie. Évitez tout contact avec ce liquide. En cas de contact accidentel, rincez à l'eau. En cas de contact avec les yeux, consultez un médecin.** Le liquide projeté de la batterie peut provoquer des irritations ou des brûlures.
- e. **N'utilisez pas de batterie ou d'outil endommagé ou modifié.** Les batteries endommagées ou modifiées peuvent présenter un comportement imprévisible entraînant un incendie, une explosion ou un risque de blessure.
- f. **N'exposez pas une batterie ou un outil au feu ou à une température excessive.** L'exposition au feu ou à une température supérieure à 130 ° C peut provoquer une explosion.

**REMARQUE** La température «130 ° C» peut être remplacée par la température «265 ° F».

- g. **Suivez toutes les instructions de charge et ne chargez pas la batterie ou l'outil en dehors de la plage de température spécifiée dans les instructions.** Une charge incorrecte ou à des températures en dehors de la plage spécifiée peut endommager la batterie et augmenter le risque d'incendie.

## 6. Réparation

- a. **Faites réparer votre outil électrique par une personne qualifiée, n'utilisant que des pièces de rechange d'origine.** Cela permet de garantir la sûreté de l'outil électrique.
- b. **Ne réparez jamais des batteries endommagées.** L'entretien des batteries ne doit être effectué que par le fabricant ou des prestataires de services agréés.

## Avertissements de sécurité supplémentaires liées aux outils électriques



**Avertissement !** Consignes de sécurité supplémentaires concernant les perceuses

- ◆ **Portez des protège-oreilles lorsque vous percez un impact.** L'exposition au bruit peut entraîner une perte auditive.
- ◆ **Utilisez les poignées auxiliaires fournies avec l'outil.** La perte de contrôle peut provoquer des blessures.
- ◆ **Attachez l'outil correctement avant de l'utiliser.** Cet outil produit un couple de sortie élevé et sans entretoiser correctement l'outil pendant le fonctionnement, une perte de contrôle peut se produire entraînant des blessures corporelles.
- ◆ **Tenez l'outil par ses surfaces de préhension isolées lorsque vous travaillez dans des zones où l'organe de coupe peut entrer en contact avec des fils électriques cachés.** Tout contact de l'accessoire de coupe avec un fil sous tension peut mettre les parties métalliques exposées de l'outil sous tension et provoquer un choc électrique à l'utilisateur.
- ◆ **Tenez l'outil électrique par les surfaces isolées prévues à cet effet si pendant son utilisation l'élément de fixation peut entrer en contact avec des fils électriques cachés.** Tout contact d'une fixation avec un fil sous tension peut mettre les parties métalliques exposées de l'outil sous tension et provoquer un choc électrique à l'utilisateur.

## Consignes de sécurité lors de l'utilisation de forets longs

- ◆ **Ne jamais utiliser à une vitesse supérieure à la vitesse maximale du foret.** À des vitesses plus élevées, le foret est susceptible de se plier s'il est laissé tourner librement sans entrer en contact avec la pièce, entraînant des blessures.
- ◆ **Commencez toujours à percer à basse vitesse et avec la pointe de l'embout en contact avec la pièce.** À des vitesses plus élevées, le foret est susceptible de se plier s'il est laissé tourner librement sans entrer en contact avec la pièce, entraînant des blessures.
- ◆ **Appliquez une pression uniquement en ligne directe avec le foret et ne pas appliquer de pression excessive.** Les mors peuvent se plier, provoquant une rupture ou une perte de contrôle, entraînant des blessures corporelles.
- ◆ **Utilisez des pinces ou tout autre moyen pratique pour fixer et soutenir l'ouvrage sur une plateforme stable.** Tenir l'ouvrage à la main ou contre votre corps le rend instable et peut conduire à une perte de contrôle.

- ◆ Avant de percer des murs, des planchers ou des plafonds, vérifiez l'emplacement des fils électriques et des canalisations.
- ◆ Évitez de toucher le bout d'un foret juste après avoir percé. Il peut être chaud.
- ◆ L'usage prévu est décrit dans ce manuel d'utilisation. L'utilisation d'un accessoire ou d'un équipement non spécifié ou l'utilisation de cet outil à d'autres fins que celles recommandées dans ce manuel d'utilisation présentent un risque de blessures et/ou de dommages matériels.

## Sécurité des personnes

- ◆ Cet outil n'est pas prévu pour être utilisé par des personnes (y compris des enfants) ayant des capacités mentales, sensorielles ou physiques réduites ou par des personnes manquant d'expérience et de connaissances, à moins qu'elles soient encadrées ou qu'elles aient été formées à l'utilisation de l'outil par une personne responsable de leur sécurité.
- ◆ Ne laissez jamais les enfants sans surveillance afin d'éviter qu'ils ne jouent avec l'appareil.

## Risques résiduels

Certains risques résiduels autres que ceux mentionnés dans les avertissements sur la sécurité peuvent survenir en utilisant l'outil.

Ces risques peuvent être provoqués par une utilisation incorrecte, prolongée, etc...

Malgré l'application des normes de sécurité pertinentes et la présence de dispositifs de sécurité, certains risques résiduels ne peuvent pas être évités. Ils comprennent :

- ◆ Les blessures dues au contact avec des pièces rotatives/mobiles.
- ◆ Les blessures dues au remplacement de pièces, de lames ou d'accessoires.
- ◆ Les blessures dues à l'utilisation prolongée d'un outil. Lorsque l'outil est utilisé pendant de longues périodes, assurez-vous de faire des pauses régulières.
- ◆ La diminution de l'acuité auditive.
- ◆ Les risques pour la santé provoqués par l'inhalation des poussières générées pendant l'utilisation de votre outil (exemple : travail avec du bois, surtout le chêne, le hêtre et les panneaux en MDF)

## Vibrations

La valeur des émissions de vibrations déclarée dans la section Caractéristiques techniques et la déclaration de conformité a été mesurée selon une méthode de test standard fournie par la norme EN 62841 et peut être utilisée pour comparer un outil à un autre. La valeur des émissions de vibrations déclarée peut aussi être utilisée pour une évaluation préliminaire de l'exposition.

**Avertissement !** En fonction de la manière dont l'outil est utilisé, la valeur des émissions de vibrations réelles pendant l'utilisation de l'outil peut différer de la valeur déclarée. Le niveau des vibrations peut dépasser le niveau déclaré.

Quand l'exposition aux vibrations est évaluée afin de déterminer les mesures de sécurité requises par la norme 2002/44/CE pour protéger les personnes utilisant régulièrement des outils électriques, cette estimation doit tenir compte des conditions réelles d'utilisation et de la façon dont l'outil est utilisé. Il faut également tenir compte de toutes les composantes du cycle de fonctionnement comme la durée pendant laquelle l'outil est arrêté et quand il fonctionne au ralenti, ainsi que la durée du déclenchement.

## Étiquettes apposées sur l'outil

Outre le code date, les symboles suivants sont apposés sur l'outil:



**Avertissement !** Afin de réduire le risque de blessures, l'utilisateur doit lire le manuel d'utilisation.



Portez des protections auditives pour utiliser une perceuse à percussion. L'exposition au bruit peut provoquer la perte de l'ouïe.



Ne regardez pas la lampe en fonctionnement

## Consignes de sécurité supplémentaires relatives aux batteries et aux chargeurs

### Batteries

- ◆ Ne tentez jamais de les ouvrir sous aucun prétexte.
- ◆ N'exposez pas les batteries à l'eau.
- ◆ Ne les stockez pas dans des endroits où la température peut dépasser 40°C.
- ◆ Ne les rechargez qu'à une température ambiante comprise entre 10°C et 40°C.
- ◆ N'utilisez que le chargeur fourni avec l'outil.
- ◆ Lors de la mise au rebut des batteries, respectez les instructions données dans la section "Protection de l'environnement".



N'essayez pas de recharger des batteries endommagées.

### Chargeurs

### Chargeurs

- ◆ N'utilisez votre chargeur BLACK+DECKER que pour recharger la batterie fournie avec l'outil. D'autres batteries pourraient exploser et provoquer des blessures et des dommages.

- ◆ Ne tentez jamais de recharger des piles non rechargeables.
- ◆ Faites immédiatement remplacer les cordons endommagés.
- ◆ N'exposez pas le chargeur à l'eau.
- ◆ N'ouvrez pas le chargeur.
- ◆ Ne sondez pas le chargeur.



Le chargeur est conçu pour être exclusivement utilisé à l'intérieur.



Lisez le manuel d'utilisation avant de l'utiliser.

### Sécurité électrique



Votre chargeur dispose d'une double isolation, aucune liaison à la terre n'est donc nécessaire. Vérifiez toujours que la tension du réseau électrique correspond à la tension figurant sur la plaque signalétique. N'essayez jamais de remplacer le module de charge par une prise secteur ordinaire.

- ◆ Si le câble d'alimentation est endommagé, il doit être remplacé par le fabricant ou par un centre d'assistance agréé BLACK+DECKER afin d'éviter tout risque.

### Caractéristiques

Cet outil dispose de tout ou partie des éléments suivants.

1. Interrupteur variateur de vitesse
2. Curseur de réglage du sens de rotation avant/arrière
3. Bague de réglage du couple
4. Mandrin sans clé
5. Système d'engrenage à deux vitesses
6. Éclairage de travail à LED
7. Batterie
8. Bouton de libération de la batterie

### Assemblage

#### Utilisation

**Avertissement !** Laissez l'outil fonctionner à son propre rythme. Ne le poussez pas au-delà de sa limite.

#### Recharger la batterie (Fig. A1, A2)

La batterie doit être rechargée avant la première utilisation et chaque fois qu'elle n'apporte plus assez de puissance pour les travaux réalisés sans peine auparavant. La batterie peut devenir chaude pendant la charge. Ceci est un phénomène normal qui ne présente aucun problème.

**Avertissement !** Ne rechargez pas la batterie à une température ambiante inférieure à 10°C ou supérieure à 40°C. La température de charge recommandée est d'environ 24°C.

**Remarque : Le chargeur ne recharge pas la batterie si la température de la cellule est inférieure à environ 10°C ou supérieure à 40°C.**

**La batterie doit rester dans le chargeur qui démarre automatiquement la charge quand la température de la cellule augmente ou diminue.**

- ◆ Branchez le chargeur (9) dans une prise électrique standard de 230 Volts 50 Hz.
- ◆ Insérez le bloc-batterie (7) dans le chargeur comme illustré par les figures A1, A2.



Le voyant (9a) clignote pour indiquer que la batterie est en charge.



La fin de la charge est indiquée par le voyant (9a) restant fixe en continu. Le bloc est alors complètement rechargé et il peut soit être utilisé, soit être laissé dans le chargeur.

**Avertissement !** Risque d'incendie. Au moment de retirer la batterie du chargeur, assurez-vous de d'abord débrancher le chargeur de la prise de courant avant de retirer la batterie du chargeur.

### Diagnosics du chargeur

Ce chargeur a été conçu pour détecter certains problèmes qui peuvent survenir avec les blocs-batteries ou la source d'alimentation.

Les problèmes sont signalés par un voyant clignotant de différentes manières.

#### Batterie défectueuse



Le chargeur peut détecter une batterie faible ou endommagée. Le voyant clignote de la façon indiquée sur l'étiquette. Arrêtez la charge de la batterie si vous voyez ce motif de clignotement indiquant que la batterie est défectueuse. Renvoyez-la dans un centre d'assistance ou un site de collecte pour recyclage.

#### Délai Bloc chaud/froid



Lorsque le chargeur détecte que la batterie est trop chaude ou trop froide, il démarre automatiquement un délai Bloc Chaud/Froid, suspendant la charge jusqu'à ce que la batterie se stabilise. Après cela, le chargeur passe automatiquement en mode Charge Bloc. Cette fonctionnalité assure une durée de vie maximale de la batterie.

Le voyant clignote de la façon indiquée sur l'étiquette.

#### Laisser la batterie dans le chargeur

Le chargeur et le bloc-batterie peuvent rester raccordés en permanence avec le voyant allumé. Le chargeur maintient ainsi le bloc-batterie prêt et complètement rechargé.

Ce chargeur dispose d'un mode d'ajustage de précision qui permet d'égaliser ou d'équilibrer les cellules individuelles du bloc-batterie qui lui permet de fonctionner à sa pleine capacité. Les blocs-batteries doivent être ajustés toutes les semaines ou dès que la batterie ne permet plus de réaliser les mêmes tâches qu'auparavant. Pour utiliser le mode d'ajustage automatique, placez le bloc-batterie dans le chargeur et laissez-le ainsi pendant au moins 8 heures.

### Remarques importantes liées à la charge

- ◆ Une durée de vie plus longue et de meilleures performances peuvent être obtenues si le bloc-batterie est rechargé à une température ambiante comprise entre 18° et 24°C. NE RECHARGEZ PAS le bloc-batterie si la température ambiante est inférieure à +4,5°C ou supérieure à +40°C. Ceci est important et permet d'éviter le grave endommagement du bloc-batterie.
- ◆ Le chargeur et le bloc-batterie peuvent devenir chauds au toucher pendant la charge. Ceci est normal et n'indique pas un problème. Afin de faciliter le refroidissement du bloc-batterie après son utilisation, évitez de placer le chargeur ou le bloc-batterie dans un environnement chaud comme une remise métallique ou une remorque non isolée.
- ◆ Si le bloc-batterie ne se recharge pas correctement :
  - ◆ Vérifiez le fonctionnement de la prise murale en y branchant une lampe ou un autre appareil ;
  - ◆ Contrôlez que la prise n'est pas reliée à un interrupteur qui coupe l'alimentation quand l'éclairage est éteint
  - ◆ Déplacez le chargeur et le bloc-batterie dans un endroit où la température ambiante est comprise entre environ 18°C et 24°C ;
  - ◆ Si les problèmes de charge persistent, apportez l'outil, le bloc-batterie et le chargeur à votre centre d'assistance local.
- ◆ Le bloc-batterie doit être rechargé lorsqu'il ne parvient plus à fournir la puissance nécessaire aux opérations qui étaient facilement réalisées auparavant. CESSEZ D'UTILISER l'outil dans ces conditions. Respectez la procédure de charge. Vous pouvez également recharger un bloc déjà utilisé si vous le souhaitez, sans que cela n'affecte le bloc-batterie.
- ◆ Les corps étrangers de nature conductrice comme notamment et entre autres, les poussières de meulage, les copeaux métalliques, la laine d'acier, les feuilles d'aluminium ou toute autre accumulation de particules métalliques doivent être tenus à distance des cavités du chargeur. Débranchez le chargeur avant de le nettoyer.
- ◆ Ne congelez pas le chargeur et ne l'immergez pas dans l'eau ou dans tout autre liquide.

### Installer et retirer le bloc-batterie dans l'outil (Fig. B)

**Avertissement !** Assurez-vous que le bouton de verrouillage (2) est enclenché pour éviter l'activation de l'interrupteur, avant de retirer ou d'installer la batterie. Pour installer le bloc-batterie :

- ◆ Insérez le bloc-batterie (7) dans l'outil jusqu'à entendre un clic (Fig. B)

### Retirer le bloc batterie de l'outil (Fig. C)

- ◆ Enfoncez le bouton de libération de la batterie (8) comme illustré par la figure C et tirez sur le bloc-batterie pour le sortir de l'outil.

### Instructions d'utilisation

#### Interrupteur à gâchette et bouton d'inversion du sens de rotation (Fig. D)

- ◆ La perceuse est allumée et éteinte en enfonçant et en relâchant la gâchette (1). Plus la gâchette est enfoncée, plus la vitesse de perçage est élevée.
- ◆ Un bouton de commande du sens de rotation (2) permet de définir le sens de rotation de l'outil et il sert également de bouton de verrouillage.
- ◆ Pour sélectionner la rotation en marche avant, relâchez la gâchette et enfoncez le bouton de sélection du sens de rotation vers la gauche.
- ◆ Pour sélectionner le sens de rotation inverse, déplacez le bouton de sélection du sens de rotation dans la direction opposée.

**Remarque :** La position centrale du bouton de commande verrouille l'outil en position d'arrêt. Lors du changement de position du bouton de commande, assurez-vous que la gâchette est bien relâchée.

#### Contrôle du couple (Fig. E)

Cet outil est équipé d'une bague de réglage de couple (3) afin de sélectionner le mode de fonctionnement et de paramétrer le couple pour le serrage des vis. Les grandes vis et les matières dures nécessitent un couple de serrage plus élevé que les petites vis et les matières tendres.

- ◆ Pour percer du bois, du métal et du plastique, réglez la bague sur le symbole de perçage
- ◆ Pour visser, réglez la bague sur la position désirée. Si vous ne connaissez pas encore le réglage approprié, procédez comme suit :
- ◆ Réglez la bague au couple le plus bas.
- ◆ Vissez la première vis.
- ◆ Si le mandrin cliquète avant d'avoir atteint le résultat voulu, augmentez le réglage de la bague et continuez le serrage de la vis. Recommencez jusqu'à ce que le réglage correct soit obtenu. Utilisez ce réglage pour les vis restantes.



## Mandrin sans clé (Fig. F)

**Avertissement !** Assurez-vous que le bouton de verrouillage (2) est enclenché pour éviter l'activation de l'interrupteur, avant d'installer ou de retirer les accessoires.

Pour insérer un foret ou un autre accessoire :

- ◆ Dans une main, prenez la moitié arrière du mandrin (4) et avec l'autre, tournez la moitié avant dans le sens inverse des aiguilles d'une montre vue depuis l'extrémité du mandrin.

Insérez le foret ou tout autre accessoire complètement dans le mandrin, puis fixez-le fermement en maintenant la moitié arrière du mandrin et en tournant la partie avant dans le sens des aiguilles d'une montre, vu depuis l'extrémité du mandrin.

**Avertissement !** Ne tentez pas de fixer les forets (ou tout autre accessoire) en saisissant la partie avant du mandrin et en mettant l'outil en marche. Cela pourrait endommager le mandrin et provoquer des blessures lors du remplacement d'accessoires.

## Système d'engrenage à deux vitesses (Fig. G)

La fonction Deux vitesses de votre perceuse vous permet de changer de vitesse pour augmenter la polyvalence de l'outil. Pour sélectionner une vitesse lente et un couple élevé (position 1), éteignez l'outil et attendez qu'il s'arrête. Faites glisser le sélecteur de vitesse vers l'arrière (5) loin du mandrin. Pour sélectionner une vitesse rapide et un couple faible (position 2), éteignez l'outil et attendez qu'il s'arrête. Faites glisser le sélecteur de vitesse vers l'avant (vers le mandrin).

**Remarque :** Ne changez pas de vitesse lorsque l'outil est en marche. En cas de problème pour changer de vitesse, assurez-vous que le sélecteur de vitesse est bien complètement poussé vers l'avant ou vers l'arrière.

## Percer/visser

- ◆ Sélectionnez le sens de rotation avant ou arrière à l'aide du curseur de réglage du sens de rotation (2).
- ◆ Pour mettre l'outil en marche, appuyez sur l'interrupteur (1). La vitesse de l'outil dépend du degré d'enfoncement de l'interrupteur.
- ◆ Pour arrêter l'outil, relâchez l'interrupteur.

## Conseils pour une utilisation optimale

### Percer

- ◆ N'utilisez que des forets bien aiguisés.
- ◆ Soutenez et fixez l'ouvrage correctement, comme indiqué dans les consignes de sécurité.
- ◆ Utilisez l'équipement de sécurité approprié et nécessaire, comme indiqué dans les consignes de sécurité.
- ◆ Soutenez et fixez la zone de travail correctement, comme indiqué dans les consignes de sécurité.

- ◆ Commencez à percer très lentement, en appliquant peu de pression, jusqu'à ce que le trou soit suffisamment formé pour que le foret ne s'en échappe pas.
- ◆ Appliquez une pression perpendiculaire avec le foret. Exercez suffisamment de pression pour que le foret avance, mais ne poussez pas de manière excessive afin d'éviter que le moteur ne cale ou que le foret ne dévie.
- ◆ Maintenez fermement la perceuse avec les deux mains pendant la torsion.
- ◆ **N'ACTIONNEZ PAS LA GÂCHETTE D'UNE PERCEUSE QUI A CALÉ POUR TENTER DE LA DÉMARRER. CELA POURRAIT SINON ENDOMMAGER LA PERCEUSE.**
- ◆ Évitez les calages pendant les percées en réduisant la pression et en perçant doucement la dernière partie du trou.
- ◆ Laissez le moteur tourné en retirant le foret du trou percé. Cela permet d'éviter qu'il se coince.
- ◆ Assurez-vous que l'interrupteur peut allumer et éteindre la perceuse.

## Percer le bois

Le bois peut être percé avec les mêmes forets hélicoïdaux utilisés pour le métal ou avec des mèches plates. Ces forets doivent être aiguisés et fréquemment sortis du trou pendant le perçage afin de supprimer les copeaux des cannelures.

## Percer le métal

Utilisez un lubrifiant de coupe pour percer les métaux. La fonte et le laiton doivent en revanche être percés à sec. Les lubrifiants de coupe qui fonctionnent le mieux sont les huiles de coupe sulfurées ou le saindoux.

## Percer de la maçonnerie

Pour percer de la maçonnerie, réglez la bague (3) sur la position de perçage à percussion en alignant le symbole avec le repère. Déplacez le sélecteur de vitesse (5) vers l'avant de l'outil (2ème vitesse).

## Visser

- ◆ Choisissez toujours un embout de tournevis de type et de taille appropriés.
- ◆ Si le serrage est difficile, enduisez la vis d'une petite quantité de liquide de vaisselle ou de savon comme lubrifiant.
- ◆ Alignez toujours l'outil et l'embout du tournevis avec la vis

## Dépannage

Problème	Cause possible	Solution possible
La machine ne démarre pas.	Le bloc-batterie n'est pas rechargé.	Vérifiez le besoin en charge du bloc-batterie
Le bloc-batterie ne se recharge pas.	Le chargeur n'est pas branché.  La température ambiante est trop chaude ou trop froide.	Branchez le chargeur dans une prise murale qui fonctionne.  Déplacez le chargeur et le bloc-batterie dans un endroit où la température ambiante est supérieure à 40°F (4,5°C) ou inférieure à 105°F (+40,5°C)
L'appareil s'éteint brusquement.	Le bloc-batterie a atteint sa limite thermique maximum.  Déchargé. (Afin de maximiser la durée de vie du bloc-batterie, il est conçu pour s'arrêter brusquement lorsque la batterie est déchargée).	Laissez le bloc-batterie refroidir.  Placez-le dans le chargeur et laissez-le se recharger.

## Maintenance

Votre outil BLACK+DECKER a été conçu pour fonctionner pendant longtemps avec un minimum d'entretien. Le fonctionnement continu et satisfaisant de l'appareil dépend de son bon entretien et de son nettoyage régulier.

Votre chargeur ne nécessite aucun entretien particulier, à l'exception d'un nettoyage régulier.

**Avertissement !** Avant de réaliser toute tâche de maintenance sur l'outil, retirez la batterie. Débranchez le chargeur avant de le nettoyer.

- ◆ Nettoyez régulièrement les fentes d'aération de votre outil et du chargeur à l'aide d'une brosse souple ou d'un chiffon sec.
- ◆ Nettoyez régulièrement le bloc-moteur à l'aide d'un chiffon humide.  
N'utilisez pas de détergents abrasifs ou à base de solvants.
- ◆ Ouvrez régulièrement le mandrin et tapotez dessus pour éliminer la poussière accumulée à l'intérieur.

## Protection de l'environnement



Tri sélectif. Les produits et batteries marqués de ce symbole ne doivent pas être jetés avec les déchets ménagers.

Les produits et batteries contiennent des matières qui peuvent être récupérées et recyclées afin de réduire la demande en matières premières.

Veillez recycler les produits électriques et les batteries conformément aux dispositions locales en vigueur. Pour plus d'informations, consultez le site [www.2helpU.com](http://www.2helpU.com)

## Données techniques

		BDASB18V
Tension	$V_{CC}$	18
Vitesse à vide	$\text{Min}^{-1}$	0 - 360/0 - 1400
Couple maxi	Nm	45
Capacité du mandrin	mm	1-10
Capacité maxi de perçage		
Acier/bois/Maçonnerie	mm	10/25/10
Poids	kg	0,9 (1,3 avec batterie)

Chargeur		90589867	90590287-06	90634971
Tension d'entrée	$V_{CA}$	230	230	230
Tension de sortie	$V_{CC}$	18	18	18
Courant	mA	200	400	1A
Durée de charge approximative	Heures	8	3 - 5	1,5

Batterie		BL1518
Tension	$V_{CA}$	18
Capacité	Ah	1,5
Type		Li-Ion

### Niveau de pression sonore selon la norme EN 62841:

Pression sonore ( $L_{pA}$ ) 87,5 dB(A), incertitude (K) 5 dB(A)

Puissance sonore ( $L_{WA}$ ) 98,5 dB(A), incertitude (K) 5 dB(A)

### Valeurs totales des vibrations (somme vectorielle triaxiale) selon la norme EN 62841:

Perçage du béton ( $a_{h,iso}$ ) 14,2  $\text{m/s}^2$ , incertitude (K) 1,5  $\text{m/s}^2$

Perçage du métal ( $a_{h,pr}$ ) 1,1  $\text{m/s}^2$ , incertitude (K) 1,5  $\text{m/s}^2$

## Déclaration de conformité CE

DIRECTIVES MACHINES



BDASB18 - Perceuse à percussion

Black & Decker déclare que les produits décrits dans les «Caractéristiques techniques» sont conformes aux normes : 2006/42/EC, EN62841-1:2015 EN62841-2-1:2018+A11:2019.

Ces produits sont également conformes aux Directives 2014/30/UE et 2011/65/UE. Pour plus de détails, veuillez contacter Black & Decker à l'adresse suivante ou consultez la dernière page du manuel.

Le soussigné est responsable de la compilation du dossier technique et fait cette déclaration au nom de Black & Decker.



Ed Higgins

Director – Consumer Power Tools  
Black & Decker Europe, 270 Bath Road, Slough,  
Berkshire, SL1 4DX  
Royaume-Uni  
29/11/2019

## Garantie

Black & Decker est sûr de la qualité de ses produits et offre une garantie de 24 mois aux utilisateurs, à partir de la date d'achat. Cette garantie s'ajoute à vos droits légaux auxquels elle ne porte aucunement préjudice. La garantie est valable sur les territoires des états membres de l'Union européenne et la zone européenne de libre-échange.

Pour prétendre à la garantie, la réclamation doit être conforme aux conditions générales de Black & Decker et vous devez fournir une preuve d'achat au vendeur ou au réparateur agréé.

Les conditions générales de la garantie de 2 ans Black & Decker ainsi que l'adresse du réparateur agréé le plus proche sont disponibles sur le site Internet [www.2helpU.com](http://www.2helpU.com) ou en contactant votre agence Black & Decker locale à l'adresse indiquée dans ce manuel.

Veuillez consulter notre site Internet [www.blackanddecker.co.uk](http://www.blackanddecker.co.uk) pour enregistrer votre nouveau produit Black & Decker .

## Käyttötarkoitus

BLACK+DECKER BDASB18V -iskupora on tarkoitettu ruuvaussovelluksiin sekä puun, metallin ja kivimateriaalien poraamiseen. Tämä työkalu on tarkoitettu vain yksityiskäyttöön.

## Turvallisuusohjeet

### Sähkötyökalun yleiset turvaohjeet



**VAROITUS** Lue kaikki tämän sähkötyökalun mukana toimitetut turvallisuusvaroitukset, ohjeet, kuvat ja tekniset tiedot. Mikäli alla annettuja varoituksia ja ohjeita ei noudateta, seurauksena voi olla sähköisku, tulipalo ja/tai vakava henkilövahinko.

**Säilytä kaikki varoitukset ja ohjeet tulevia käyttökertoja varten.** Kaikkien alla olevien varoitusten termi "sähkötyökalu" tarkoittaa verkkovirralla toimivia (johdollisia) sekä akkutoimisia (langattomat) sähkötyökaluja.

#### 1. Työalueen turvallisuus

- Varmista työalueen puhtaus ja hyvä valaistus.**  
Onnettomuuksia tapahtuu helpommin epäsiistissä tai huonosti valaistussa tilassa.
- Sähkötyökalua ei saa käyttää räjähdysalttiissa ympäristöissä, kuten syttyvien nesteiden, kaasun tai pölyn lähettyvillä.** Sähkötyökaluista syntyy kipinöitä, jotka voivat sytyttää pölyn tai höyryt.
- Lapsia tai sivullisia ei saa päästää työalueelle sähkötyökalua käyttäessä.** Epähuomio voi aiheuttaa hallinnan menettämisen.

#### 2. Sähköturvallisuus

- Sähkötyökalujen pistokkeiden on sovitava pistorasiaan.** Pistoketta ei saa koskaan muuttaa millään tavalla. Maadoitettujen sähkötyökalujen kanssa ei saa käyttää sovittipistokkeita. Sähköiskun vaara on pienempi, kun pistokkeita ei ole muutettu mitenkään ja ne liitetään sopivaan pistorasiaan.
- Vältä koskettamasta maadoitettuihin pintoihin, kuten putkiin, lämpöpattereihin, liesiin ja jäädyttimiin.** Sähköiskun vaara on suurempi, jos kehosi on maadoitettu.
- Sähkötyökaluja ei saa käyttää sateessa tai märissä olosuhteissa.** Jos sähkötyökalun sisään pääsee vettä, olemassa on suurempi sähköiskun vaara.
- Virtajohtoa ei saa käyttää väärin. Älä koskaan kuljeta, vedä tai irrota laitetta pistorasiasta johdosta kiinni pitäen.** Suojaa johto lämmöltä, öljyltä, teräviltä reunoilta ja liikkuvilta osilta. Vaurioituneet tai kietoutuneet johdot lisäävät sähköiskun vaaraa.
- Kun sähkötyökalua käytetään ulkona, käytä**

**ulkokäyttöön sopivaa jatkojohtoa.** Ulkokäyttöön sopivan johdon käyttö vähentää sähköiskun vaaraa.

- Jos sähkötyökalun käyttö on välttämätöntä kosteassa paikassa, käytä vikavirtasuojakytkimellä suojattua virtälähdettä.** Vikavirtasuojakytkin vähentää sähköiskun vaaraa.
- Henkilöturvallisuus**
    - Pysy valppaana, tarkkaile toimenpiteitäsi ja käytä sähkötyökalua terveellä maalaisjärjellä. Älä käytä sähkötyökalua väsyneenä tai huumausaineiden, alkoholin tai lääkkeiden vaikutuksen alaisena.**  
Hetkellisenkin epähuomio sähkötyökalun käytön aikana voi johtaa vakaviin henkilövahinkoihin.
    - Käytä henkilökohtaisia suojavarusteita. Käytä aina suojalaseja.** Käytä olosuhteiden mukaisia suojavarusteita (esim. pölynaamari, liukuesteiset turvajalkineet, kypärä tai kuulonsuojaimia) henkilövahinkojen välttämiseksi.
    - Vältä käynnistyminen vahingossa. Varmista, että kytkin on Off-asennossa ennen työkalun liittämistä virtälähteeseen ja/tai akkuun, työkalun nostamista tai kuljettamista.** Onnettomuuksia voi sattua, jos sähkötyökaluja kuljetetaan pitämällä sormeja kytkimellä tai ne käynnistetään kytkimen ollessa päällä.
    - Poista säätöavaimet tai avaimet ennen sähkötyökalun kytkemistä päälle.** Jos sähkötyökalun pyörivään osaan on kiinnitetty jokin avain, seurauksena voivat olla henkilövahingot.
    - Älä kurkottele. Varmista aina hyvä jalansija ja tasapaino.** Täten varmistat sähkötyökalun paremman hallinnan odottamattomissa tilanteissa.
    - Pukeudu asianmukaisesti. Älä käytä löysiä vaatteita tai koruja. Hiukset, vaatteet ja suojakäsineet on pidettävä poissa työkalun liikkuvista osista.** Löysät vaatteet, korut tai pitkät hiukset voivat jäädä kiinni liikkuviin osiin.
    - Jos laitteessa on liitäntä pölynpoisto- tai pölynkeräysjärjestelmiä varten, varmista niiden oikeaoppinen liitäntä ja käyttö.** Pölynkeräysjärjestelmien käyttö voi vähentää pölyn aiheuttamia vaaroja.
    - Älä anna työkalujen usein käytetyn kokemuksen antaa sinun tulla tyytyväiseksi ja sivuuttaa työkalujen turvallisuusperiaatteita.** Huoleton toiminta voi aiheuttaa vakavan vamman sekunnin murto-osan sisällä.
  - Sähkötyökalujen käyttö ja ylläpito**
    - Älä kohdista sähkötyökaluun voimaa.** Käytä käyttötarkoitukseen sopivaa sähkötyökalua. Oikea sähkötyökalu suorittaa toimenpiteen paremmin ja turvallisemmin sen suunnitellulla käyttönopeudella.
    - Älä käytä sähkötyökalua, jos sen kytkin ei kytkte virtaa päälle ja pois päältä.** Sähkötyökalut, joita ei voida hallita kytkimellä, ovat vaarallisia ja ne on korjattava.

- c. **Irrota pistoke virtalähteestä ja/tai akku sähkötyökäkalusta ennen sähkötyökäkalun säätämistä, lisävarusteiden vaihtoa tai varastointista.** Nämä ennakoivat varotoimenpiteet vähentävät sähkötyökäkalun odottamatonta käynnistymisvaaraa.
- d. **Säilytä käyttämättömiä työkaluja lasten ulottumattomissa. Älä anna sellaisten henkilöiden käyttää sähkötyökäkalua, jotka eivät tunne sitä ja näitä käyttöohjeita.** Sähkötyökäkalut ovat vaarallisia kouluttamattomien henkilöiden käsissä.
- e. **Sähkötyökäkalut vaativat ylläpitoa. Tarkista liikkuvat osat virheellisen kohdistumisen tai kiinnijuuttumisen sekä osien vaurioiden varalta ja muut olosuhteet, jotka voivat vaikuttaa sähkötyökäkalun toimintaan. Jos sähkötyökäkalussa on vaurioita, se on korjattava ennen käyttöä.** Monet onnettomuudet johtuvat huonosti ylläpidetyistä sähkötyökäkaluista.
- f. **Leikkausvälineet on pidettävä terävinä ja puhtaina.** Oikein ylläpidetyt leikkausvälineet terävillä leikkausreunoilla juuttuvat harvemmin kiinni ja niiden hallinta on helpompaa.
- g. **Käytä sähkötyökäkalua, lisävarusteita ja työkalun teriä jne. näiden ohjeiden mukaisesti huomioiden työskentelyolosuhteet sekä suoritettavat toimenpiteet.** Jos sähkötyökäkalua käytetään muihin kuin sen suunniteltuihin käyttötarkoituksiin, seurauksena voi olla vaaratilanne.
- h. **Pidä kahvat ja tarttuvat pinnat kuivina, puhtaina ja öljyistä ja rasvoista vapaina.** Liukkaat kahvat ja tarttuvat pinnat eivät mahdollista työkalun turvallista käsittelyä ja hallintaa odottamattomissa tilanteissa.

## 5. Akkutoimisten työkalujen käyttö ja ylläpito

- a. **Ladattava ainoastaan valmistajan määrittämällä laturilla.** Yhteen akkutyypin sopiva laturi voi aiheuttaa tulipalovaaran, jos sitä käytetään toisenlaisen akun kanssa.
- b. **Sähkötyökäkaluja tulee käyttää ainoastaan niihin tarkoitetuilla akuilla.** Muiden akkujen käyttö voi aiheuttaa henkilövahinkojen ja tulipalon vaaran.
- c. **Kun akkua ei käytetä, pidä se kaukana muista metalliesineistä (esim. paperiliittimet, kolikot, avaimet, naulat, ruuvit tai muut pienet metalliesineet), jotka voivat luoda yhteyden napojen välille.** Akkunapojen välinen oikosulku voi aiheuttaa palovammoja tai tulipalon.
- d. **Virheellisissä käyttöolosuhteissa akusta voi päästä nestettä. Vältä koskettamasta sitä. Jos kosketat sitä vahingossa, huuhtele vedellä. Jos nestettä pääsee silmiin, ota lisäksi yhteyttä lääkäriin.** Akusta päässyt neste voi aiheuttaa ärsytystä tai palovammoja.
- e. **Älä käytä akkua tai työkalua, joka on vaurioitunut tai muunnettu.** Vaurioituneilla tai muunnellulla paristolla voi olla arvaamaton käyttäytyminen, joka voi johtaa tulipaloon, räjähdykseen tai loukkaantumisriskiin.
- f. **Älä altista akkua tai työkalua tullelle tai liian korkealle lämpötilolle.** Paloaltistus tai lämpötila yli 130 °C voi aiheuttaa räjähdyksen.

**HUOMAUTUS** Lämpötila "130 °C" voidaan korvata lämpötilalla "265 °F".

- g. **Noudata kaikkia latausohjeita ja älä lataa akkua tai työkalua ohjeissa määritetyn lämpötila-alueen ulkopuolella.** Väärä lataus tai määritetyn alueen ulkopuolella sijaitsevilla lämpötiloilla voi vaurioittaa akkua ja lisätä tulipalon vaaraa.

## 6. Huolto

- a. **Anna pätevä korjaajan huoltaa sähkötyökäkalu alkuperäisiä varaosia käyttäen.** Täten taataan sähkötyökäkalun turvallisuus..
- b. **Älä koskaan huolta vaurioituneita akkuja.** Vain valmistajan tai valtuutettujen palveluntarjoajien tulee suorittaa akkujen huolto.

## Sähkötyökäkalun lisäturvaohjeet



**Varoitus!** Porakoneiden lisäturvaohjeet

- ◆ **Käytä kuulonsuojaimia iskuporauksessa.** Melulle altistuminen voi aiheuttaa kuulon menetyksen.
- ◆ **Käytä työkalun mukana toimitettuja lisäkahvoja.** Hallinnan menetys voi johtaa henkilövahinkoihin.
- ◆ **Asenna työkalu oikein ennen käyttöä.** Tämä työkalu tuottaa suuren vääntömomentin, ja ilman työkalun tukemista oikein käytön aikana, ohjauksen menetys voi johtaa henkilövahinkoihin.

**Pidä kiinni sähkötyökäkalun eristetyistä kahvoista, kun leikkausväline voi koskettaa piilossa oleviin johtoihin toimenpiteen aikana.** Jos leikkausväline koskettaa jännitteenalaisia johtoja, jännite voi välittyä sähkötyökäkalun suojaamattomiin metalliosiin ja aiheuttaa sähköiskun.

- ◆ **Pidä kiinni sähkötyökäkalun eristetyistä kahvoista, kun kiinnitin voi koskettaa piilossa oleviin johtoihin toimenpiteen aikana.** Jos kiinnitin koskettaa jännitteenalaisia johtoja, jännite voi välittyä sähkötyökäkalun suojaamattomiin metalliosiin ja aiheuttaa sähköiskun.

## Turvallisuusohjeet käytettäessä pitkiä poranteriä

- ◆ **Älä koskaan käytä suuremmalla nopeudella kuin poran terän enimmäisnopeusarvo.** Suuremmilla nopeuksilla terä todennäköisesti taipuu, jos sen annetaan pyöriä vapaasti koskematta työkappaleeseen, mikä johtaa henkilövahinkoihin.
- ◆ **Aloita poraus aina alhaisella nopeudella ja terän kärjen ollessa kosketuksessa työkappaleen kanssa.** Suuremmilla nopeuksilla terä todennäköisesti taipuu, jos sen annetaan pyöriä vapaasti koskematta työkappaleeseen, mikä johtaa henkilövahinkoihin.
- ◆ **Painetaan vain suorassa linjassa terän kanssa ja älä kohdistaa liiallista painetta.**

**Terät voivat taipua aiheuttaen rikkoutumisen tai hallinnan menetyksen, mikä johtaa henkilövahinkoihin.**

- ◆ **Varmista työstökappaleen hyvä kiinnitys tukevaan alustaan ja sen hyvä tuki käyttämällä puristimia tai toista käytännöllistä tapaa.** Jos työstökappaletta pidetään käsillä tai kehoa vasten, se on epävakaava ja seurauksena voi olla hallinnan menetys.
- ◆ Tarkista kohde johtojen ja putkien varalta ennen siniini, lattioihin tai kattoihin poraamista.
- ◆ Vältä koskettamasta poranterän kärkeä heti poraamisen jälkeen, sillä se voi olla kuuma.
- ◆ Käyttötarkoitus on kuvattu tässä ohjekirjassa. Jos tässä työkalussa käytetään muita kuin tässä ohjekirjassa suositeltuja lisävarusteita tai tarvikkeita tai työkalulla suoritetaan muita kuin tässä ohjekirjassa suositeltuja toimenpiteitä, olemassa on henkilö- ja/tai omaisuusvahinkovaara.

## Muiden turvallisuus

- ◆ Tätä työkalua eivät saa käyttää henkilöt (mukaan lukien lapset), joilla on fyysisiä, aistillisia tai henkisiä puutteita tai puutteellinen kokemus ja tuntemus, ellei heidän turvallisuudestaan vastaava henkilö valvo tai ohjaa heitä työkalun käytössä.
- ◆ Lapsia on valvottava, jotta he eivät leikkisi laitteella.

## Jäännösriskit

Muita jäännösriskkejä voi olla olemassa käyttäessä työkalua, jota ei ole huomioitu annetuissa varoituksissa. Kyseiset riskit voivat liittyä väärinkäyttöön, pitkäaikaiseen käyttöön jne. Joitakin jäännösriskkejä ei voida välttää edes noudattamalla asiaankuuluvia turvamääräyksiä ja käyttämällä turvajärjestelmiä. Niihin kuuluvat seuraavat:

- ◆ Henkilövahingot, jotka johtuvat pyöriivien/liikkuviin osiin koskettamisesta.
- ◆ Henkilövahingot, jotka johtuvat vaihtaessa osia, teriä tai lisävarusteita.
- ◆ Henkilövahingot, jotka johtuvat työkalun pitkäaikaisesta käytöstä. Pidä säännöllisiä taukoja käyttäessä työkalua pitkiä aikajaksoja.
- ◆ Kuulon heikentyminen.
- ◆ Terveysvaarat, jotka aiheutuvat työkalun käytön aikana syntyvästä pölystä (esimerkki:- käsitellessä puuta, erityisesti tammea, pyökkiä ja puolikovaa kuitulevyä)

## Tärinä

Teknisissä tiedoissa ja vaatimustenmukaisuusvakuutuksessa annetut tärinäpäästöarvot on mitattu standardin EN 62841 vakiotestimenetelmien mukaan ja niitä voidaan käyttää eri työkalujen vertaamiseen. Annettua tärinäpäästöarvoa voidaan käyttää myös altistumisen alustavassa arvioinnissa.

**Varoitus!** Todellinen tärinäpäästöarvo sähkötyökalun käytön aikana voi poiketa annetusta arvosta työkalun käyttövasta riippuen. Tärinätasoa voi nousta annetun tason yläpuolelle. Kun altistumista tärinälle arvioidaan direktiivin 2002/44/EY vaatimien turvatoimien määrittämiseksi ja sähkötyökaluja säännöllisesti käyttävien käyttäjien suojaamiseksi, tärinälle altistumista arvioidessa on huomioitava todelliset käyttöolosuhteet sekä työkalun käyttötapa, mukaan lukien kaikki käyttöjakson elementit (esim. työkalun sammutusajat sekä tyhjäkäyntiajat käyttöajan lisäksi).

## Työkalun merkit

Seuraavat symbolit näkyvät työkalussa päivämääräkoodin ohella:



**Varoitus!** Käyttäjän on luettava ohjekirja henkilövahinkovaaran välttämiseksi.



Käytä kuulonsuojaimia iskuporaamisen aikana. Melu voi aiheuttaa kuulon heikentymistä.



Älä tuijota toimintavaloa

## Akkujen ja laturien lisäturvaohjeet

### Akut

- ◆ Älä koskaan yritä avata laitetta mistään syystä.
- ◆ Suojaa akku vedeltä.
- ◆ Ei saa säilyttää paikassa, jossa lämpötila voi olla yli 40 °C.
- ◆ Lataa ainoastaan ympäristölämpötilassa 10 °C - 40 °C.
- ◆ Lataa ainoastaan työkalun mukana toimitetulla laturilla.
- ◆ Hävitä akut noudattamalla osion "Ympäristönsuojelu" ohjeita.



Älä yritä ladata vaurioituneita akkuja.

### Laturit

- ◆ Käytä BLACK+DECKER-laturia ainoastaan työkalun mukana toimitetun akun lataamiseen. Muut akut voivat räjähtää ja aiheuttaa henkilö- ja omaisuusvahinkoja.
- ◆ Älä koskaan yritä ladata ei-ladattavia akkuja.
- ◆ Vaurioituneet johdot tulee vaihtaa välittömästi.
- ◆ Suojaa laturi vedeltä.
- ◆ Laturia ei saa avata.
- ◆ Laturia ei saa tutkia.



Laturi on tarkoitettu vain sisäkäyttöön.



Lue käyttöohjeet ennen käyttämistä.



## Sähköturvallisuus



Laturi on kaksoeristetty, se ei täten vaadi maadoitusjohtoa. Tarkista aina, että verkkojännite vastaa arvokilvessä annettua jännitettä.

Älä koskaan yritä vaihtaa laturia tavalliseen verkkovirtapistokkeeseen.

- ♦ Jos virtajohto on vaurioitunut, vaaratilanteiden välttämiseksi se on vietävä valmistajalle tai valtuutettuun BLACK+DECKER-huoltopalveluun johdon vaihtoa varten.

## Ominaisuudet

Tämä työkalu sisältää kaikki seuraavat ominaisuudet tai vain joitakin niistä.

1. Portaaton nopeudensäädin
2. Suunnanvaihtokytin
3. Momentin säätörengas
4. Avaimeton istukka
5. Kaksivaihteinen järjestelmä
6. LED-työvalo
7. Akku
8. Akun vapautuspainike

## Kokoaminen

## Käyttö

**Varoitus!** Anna työkalun käydä omaan tahtiin. Vältä sen ylikuormittamista.

## Akun lataaminen (kuvat A1, A2)

Akku on ladattava ennen ensimmäistä käyttökertaa ja aina kun laitteen teho on riittämätön normaalien toimenpiteiden suorittamiseen. Akku voi lämmetä latauksen aikana, se on normaalia; se ei ole vian merkki.

**Varoitus!** Älä lataa akkua alle 10 °C tai yli 40 °C ympäristölämpötilassa. Suositeltu latauslämpötila on noin 24 °C.

**Huomaa:** Laturi ei lataa akkua, jos kennon lämpötila on likimääräisesti alle 10 °C tai yli 40 °C. Akku tulee jättää laturiin ja laturi aloittaa latauksen automaattisesti, kun kennon lämpötila nousee tai laskee.

- ♦ Liitä laturi (9) tavalliseen 230 V 50 Hz pistorasiaan.
- ♦ Liu'uta akku (7) laturiin kuvien (A1, A2) mukaisesti.



LED-merkkivalo (9a) vilkkuu ilmoittaen akun latautumisesta.



Kun lataus on valmis, LED-merkkivalo (9a) jää palamaan pysyvästi. Akku on täysin ladattu ja sitä voidaan käyttää heti tai sen voi jättää laturiin.

**Varoitus!** Tulipalovaara. Kun akku irrotetaan laturista, irrota laturi ensin verkkovirrasta ja sen jälkeen akku laturista.

## Laturin vianmääritys

Tämä laturi tunnistaa joitakin ongelmia, joita voi esiintyä akuissa tai virtalähteissä. Ongelmista ilmoittaa yksi eri tavoin vilkkuva LED-merkkivalo.

## Heikkokuntoinen akku



Laturi voit tunnistaa heikon tai vaurioituneen akun. LED-merkkivalo vilkkuu merkin osoittamalla tavalla. Jos havaitset tämän huonokuntoisen akun vilkkumistavan, lopeta akun lataaminen. Vie se huoltopalveluun tai kierrätyskeskukseen.

## Kuuma-/kylmäviive



Kun laturi havaitsee liian kylmän tai kuumaa akkua, se käynnistää automaattisesti kuuma-/kylmäviiveen keskeyttäen latauksen, kunnes akku on saavuttanut normaalin lämpötilan. Tämän jälkeen laturi kytkee automaattisesti päälle akun lataustilan. Tämä toiminto takaa maksimaalisen akun käyttöajan. Merkkivalo vilkkuu merkin osoittamalla tavalla.

## Akun jättäminen laturiin

Akku voidaan jättää laturiin, jolloin LED-merkkivalo palaa vakiona. Laturi säilyttää akun hyväkuntoisena ja täyteen ladattuna. Tämä laturi sisältää automaattisen viritystilan, joka tasoittaa tai tasapainottaa akun yksittäiset kennot sen huippusuorituskyvyn säilyttämiseksi. Akut tulee virittää viikoittain tai kun akun teho heikkenee normaalista tasosta. Voit käyttää automaattista viritystilaa asettamalla akun laturiin ja jättämällä sen laturiin vähintään 8 tunnin ajaksi.

## Tärkeää lataamiseen liittyvää tietoa

- ♦ Maksimaalinen käyttöikä ja paras suorituskyky saavutetaan, kun akkua ladataan ympäristölämpötilassa 18 ° – 24 °C. ÄLÄ lataa akkua alle +4.5 °C tai yli +40 °C ympäristölämpötilassa. Tämä on tärkeää akun vakavien vaurioiden välttämiseksi.
- ♦ Laturi ja akku voivat kuumentua lataamisen aikana. Tämä on normaalia, se ei ole merkki ongelmasta. Jotta akku jäähtyisi käytön jälkeen, vältä asettamista laturia tai akkua lämpimään paikkaan, kuten metallisen suojan alle tai eristämättömään perävaunuun.
- ♦ Jos akku ei lataudu oikein:
  - ♦ Tarkista pistorasian toiminta liittämällä siihen lamppu tai jokin muu laite.
  - ♦ Tarkista, onko pistorasiaa yhdistetty valokyttimeen, joka katkaisee virran valojen sammuttamisen yhteydessä.
  - ♦ Siirrä laturi ja akku paikkaan, jossa ympäristölämpötila on noin 18 °C – 24 °C.
  - ♦ Jos latauksessa esiintyy ongelmia, vie työkalu, akku ja laturi paikalliseen huoltopalveluun.

- ◆ Akku on ladattava, kun se ei tuota enää riittävästi virtaa normaalien työtoimenpiteiden suorittamiseen. ÄLÄ JATKA käyttöä näissä olosuhteissa. Noudata latausohjeita. Myös osittain käytetty akku voidaan ladata, kun haittavaikutukset akkuun halutaan välttää.
- ◆ Johtavat vieraat esineet, kuten hiomapöly, metallisirut, teräsVilla, alumiinifolio tai metallihiukkasten kertymät, niihin kuitenkin rajoittumatta, tulee pitää poissa laturin aukoista. Irrota laturi virtalähteestä ennen sen puhdistusta.
- ◆ Älä anna laturin jäätyä tai upota sitä veteen tai muihin nesteisiin.

### Akun asentaminen ja irrottaminen työkalusta (kuva B)

**Varoitus!** Varmista, että lukituspainike (2) on kytketty ennen akun irrottamista tai asentamista kytkimen käyttöön estämiseksi.

Akun asentaminen:

- ◆ Aseta akku (7) työkaluun, kunnes kuulet napsahduksen (kuva B)

### Akun irrottaminen työkalusta (kuva C)

- ◆ Paina akun vapautuspainiketta (8) kuvan mukaisesti (kuva C) ja vedä akku irti työkalusta.

### Käyttöohjeet

#### Liipaisin ja suunnanvaihtokytkin (kuva D)

- ◆ Pora kytketään PÄÄLLE ja POIS PÄÄLTÄ painamalla liipaisimesta (1) ja vapauttamalla se. Mitä syvemmälle liipaisin painetaan, sitä suurempi on poran nopeus.
- ◆ Suunnanvaihtokytkimellä (2) määritetään työkalun suunta ja sitä käytetään myös lukituspainikkeena.
- ◆ Voit asettaa eteenpäin kierron vapauttamalla liipaisimen ja painamalla vasemmalla puolella olevaa suunnanvaihtokytkintä.
- ◆ Voit asettaa taaksepäin kierron painamalla suunnanvaihtokytkimen vastakkaiseen suuntaan.

**Huomaa:** Kun säätöpainike asetetaan keskiasentoon, työkalu lukittuu pois päältä asentoon. Kun säätöpainikkeen asentoa muutetaan, vapautaa liipaisin.

#### Momentin säätäminen (kuva E)

Tässä työkalussa on momentin säätörengas (3) käyttötilan valitsemiseen ja momentin asettamiseksi ruuvien kiristämistä varten. Suuret ruuvit ja kovat työstömateriaalit edellyttävät suuremman momentin kuin pienemmät ruuvit ja pehmeämmät työstömateriaalit.

- ◆ Kun poraat puuta, metallia ja muovimateriaaleja, aseta säätörengas porausasentoon symboliin.
- ◆ Aseta säätörengas haluamaasi asetukseen ruuvausta varten. Jos et tiedä oikeaa asetusta, toimi seuraavasti:
- ◆ Aseta säätörengas matalimpaan momenttiasetukseen.
- ◆ Kiristä ensimmäinen ruuvi.

- ◆ Jos kytkin siirtyy asteittain ennen kuin haluttu tulos saavutetaan, lisää säätörengkaan asetusta ja jatka ruuvien kiristämistä. Toista, kunnes saavutat oikean asetuksen. Käytä tätä asetusta muiden ruuvien kohdalla.

### Avaimeton istukka (kuva F)

**Varoitus!** Varmista, että lukituspainike (2) on kytketty ennen lisävarusteiden asentamista tai irrottamista kytkimen käyttöön estämiseksi.

Poran terän tai muun lisävarusteen kiinnittäminen:

- ◆ Tartu istukan (4) takapuoliskoon yhdellä kädellä ja kierrä toisella kädellä etupuoliskoa vastapäivään istukan päästä katsottuna.
- ◆ Aseta terä tai muu lisävaruste kokonaan istukkaan ja kiristä se tiukasti pitämällä istukan takapuoliskosta ja kiertämällä etupuoliskoa myötäpäivään istukan päästä katsottuna.

**Varoitus!** Älä yritä kiristää poranteriä (tai muuta lisävarustetta) tarttumalla istukan etuosaan ja kytkemällä työkalu päälle. Istukka voi vaurioitua ja henkilövahinkoja tapahtua lisävarusteita vaihtaessa.

### Kaksivaihteinen järjestelmä (kuva G)

Poran kaksivaihteinen järjestelmä mahdollistaa vaihteen vaihtamisen monikäyttöisyyttä varten. Voit valita alhaisen nopeuden ja suuremman momenttiasetuksen (asento 1) kytkemällä työkalun pois päältä ja antamalla sen pysähtyä. Liu'uta vaihdopainike (5) istukasta pois päin. Voit valita suuren nopeuden ja alhaisen momenttiasetuksen (asento 2) kytkemällä työkalun pois päältä ja antamalla sen pysähtyä. Liu'uta vaihdopainike istukkaan päin. Huomaa: Vaihdetta ei saa vaihtaa työkalun ollessa toiminnassa. Jos vaihteen vaihto on vaikeaa, varmista, että kaksivaihteisen järjestelmän painike on joko kokonaan etu- tai taka-asennossa.

### Poraaminen/ruuvaaminen

- ◆ Valitse eteenpäin- tai taaksepäin kierto suunnanvaihtokytkimellä (2).
- ◆ Kytke työkalu päälle painamalla kytkintä (1). Työkalun nopeus riippuu siitä, miten syväälle kytkintä painetaan.
- ◆ Kytke työkalu pois päältä vapauttamalla kytkin.

### Vinkkejä optimaaliseen käyttöön

#### Poraaminen

- ◆ Käytä ainoastaan teräviä poranteriä.
- ◆ Työstökappaletta tulee tukea oikeaoppisesti ja pitää paikoillaan turvallisuusohjeiden mukaisesti.
- ◆ Käytä asianmukaisia ja vaadittuja suojarusteita turvallisuusohjeiden mukaisesti.
- ◆ Työalue tulee suojata ja sitä tulee ylläpitää turvallisuusohjeiden mukaisesti.

- ◆ Käytä poraa erittäin hitaasti kevyellä paineella, kunnes reikä on aloitettu terän pitämiseksi paikoillaan.
- ◆ Kohdista painetta suorassa linjassa terään. Käytä riittävää painetta, jotta terä etenee. Vältä kuitenkin liiallista painetta, jotta moottori ei leikkaisi kiinni ja terä vääntyisi.
- ◆ Pitele poraa tiukasti kahdella kädellä väännön hallitsemiseksi.
- ◆ KIINNI LEIKANNEEN PORAN LIIPAISINTA EI SAA KYTKEÄ POIS PÄÄLTÄ JA PÄÄLLE SEN UUELLEEN KÄYNNISTÄMISEKSI. MUUTOIN PORA VOI VAURIOITUA.
- ◆ Kiinni leikkautuminen voidaan minimoida läpäisyn yhteydessä vähentämällä painetta ja poraamalla hitaasti reiän loppuosan läpi.
- ◆ Pidä moottori käynnissä, kun vedät terän pois poratusta reistä. Tämä vähentää kiinnijuutumista.
- ◆ Varmista, että kytkin kytkee poran päälle ja pois päältä.

### Puun poraaminen

Puuta voidaan porata käyttämällä samoja kierreporanteriä kuin metallia poratessa tai lapioporanteriä. Terien on oltava teräviä ja ne on vedettävä ulos tiheään poraamisen aikana sirujen poistamiseksi urteista.

### Metallin poraaminen

Käytä leikkuuöljyä metallin poraamisen aikana. Tämä ei koske valurautaa tai messinkiä, jotka on porattava kuivina. Parhaiten sopivat leikkuuöljyt ovat rikitetty leikkuuöljy ja laardiöljy.

### Kivimateriaalin poraaminen

Kivimateriaalia poratessa säätörengas (3) tulee asettaa iskuporausn kohdalle kohdistamalla symboli merkintään. Liu'uta nopeudensäädintä (5) työkalun etuosaa kohti (2. vaihe).

### Ruuvaaminen

- ◆ Käytä aina tyypiltään ja kooltaan oikeanlaista ruuvauskärkeä.
- ◆ Jos ruuvien kiristäminen on vaikeaa, käytä voiteluaineena pientä määrää pesunestettä tai saippuaa.
- ◆ Pidä työkalua ja ruuvauskärkeä aina suorassa linjassa ruuviin nähden.

### Vianmääritys

Ongelma	Mahdollinen syy	Mahdollinen ratkaisu
Laite ei käynnisty.	Akkua ei ole ladattu.	Tarkista akun latausvaatimukset.

Akku ei lataudu.	Laturia ei ole kytketty pistorasiaan. Ympäristölämpötila on liian suuri tai alhainen.	Kytke laturi toimivaan pistorasiaan. Siirrä laturi ja akku yli 4,5 °C (40 °F) tai alle +40,5 °C (105 °F) ympäristölämpötilaan.
Laite sammuu äkkinäisesti.	Akun maksimilämpöarja on saavutettu. Käyttöalueen ulkopuolella. (Akun maksimilämpöarjasta käyttöaluetta varten se sammuu äkkinäisesti, kun virta loppuu)	Anna akun jäähtyä. Aseta laturin ja anna latautua.

### Huolto

BLACK+DECKER-työkalu on tarkoitettu toimimaan pitkän aikajakson ajan minimaalisella ylläpidolla. Hyvä suorituskyky jatkuvassa käytössä riippuu työkalun ylläpidosta ja säännöllisestä puhdistamisesta.

Laturi ei vaadi ylläpitotoimia, ainoastaan säännöllistä puhdistusta.

**Varoitus!** Irrota akku työkalusta ennen työkalun huoltamista. Irrota laturi virtalähteestä ennen sen puhdistusta.

- ◆ Puhdista työkalun ja laturin tuuletusaukot säännöllisesti pehmeällä harjalla tai kuivalla liinalla.
- ◆ Puhdista moottorin kotelo säännöllisesti kostealla liinalla. Älä käytä hankaavia tai liuotinpohjaisia puhdistusaineita.
- ◆ Avaa istukka säännöllisesti ja napauta sitä sen tyhjentämiseksi pölystä.

### Ympäristönsuojelu



Erilliskeräys. Tällä symbolilla merkityt tuotteita ja akkuja ei saa hävittää normaalin kotitalousjätteen mukana.

Tuotteissa ja akuissa on materiaaleja, jotka voidaan kerätä talteen tai kierrättää raakamateriaalien käytön vähentämiseksi. Sähkölaitteet ja akut on kierrätettävä paikallisten määräysten mukaisesti. Lisätietoa on saatavilla osoitteessa

[www.2helpU.com](http://www.2helpU.com)

### Tekniset tiedot

		BDASB18
Jännite	V <sub>DC</sub>	18
Kuormittamaton nopeus	Min <sup>-1</sup>	0 - 360/0 - 1400
Maksimimomenti	Nm	45
Istukan teho	mm	1-10
<b>Maks. porausteho</b>		
Teräs/villa/kivimateriaali	mm	10/25/10
Paino	kg	0,9 (akulla 1,3)

Laturi		90589867	90590287-06	90634971
Tulojännite	$V_{AC}$	230	230	230
Lähtöjännite	$V_{DC}$	18	18	18
Virta	mA	200	400	1A
Likimääräinen latausaika	Tuntia	8	3 - 5	1,5

Akku		BL1518
Jännite	$V_{AC}$	18
Kapasiteetti	Ah	1,5
Tyyppi		Li-Ion

Äänenpainetaso standardin EN 62841 mukaisesti:
Äänenpaine ( $L_{pA}$ ) 87.5 dB(A), epävarmuus (K) 5 dB(A)
Ääniteho ( $L_{WA}$ ) 98.5 dB(A), epävarmuus (K) 5 dB(A)

Kokonaistärinäarvot (triax-vektorisumma) standardin EN 62841 mukaisesti:
Betonin poraaminen ( $a_{h,iso}$ ) 14.2 m/s <sup>2</sup> , epävarmuus (K) 1.5 m/s <sup>2</sup>
Metallin poraaminen ( $a_{h,iso}$ ) 1.1 m/s <sup>2</sup> , epävarmuus (K) 1.5 m/s <sup>2</sup>

## EY-vaatimustenmukaisuusvakuutus

KONEDIREKTIIVI



BDASB18 - Iskupora

Black & Decker vakuuttaa, että nämä kohdassa "tekniset tiedot" kuvatut tuotteet täyttävät seuraavat vaatimukset: 2006/42/EC, EN62841-1:2015 EN62841-2-1:2018+A11:2019. Nämä tuotteet täyttävät lisäksi direktiivien 2014/30/EY ja 2011/65/EY vaatimukset. Pyydä lisätietoa ottamalla yhteyttä Black & Deckeriin seuraavaan osoitteeseen tai katso ohjekirjan takaosa.

Allekirjoittanut henkilö vastaa teknisen asiakirjan tiedoista ja tekee tämän vakuutuksen Black & Deckerin puolesta.

Ed Higgins

Director – Consumer Power Tools  
Black & Decker Europe, 270 Bath Road, Slough,  
Berkshire, SL1 4DX  
Iso-Britannia  
29/11/2019

## Takuu

Black & Decker luottaa tuotteidensa laatuun ja tarjoaa kuluttajille 24 kuukauden takuun, joka astuu voimaan ostopäivänä. Tämä takuu ei vaikuta mitenkään laillisiin oikeuksiisi vaan se täydentää niitä. Takuu on voimassa Euroopan unionin jäsenmaissa ja Euroopan vapaakauppa-alueella.

Takuu edellyttää, että vaatimus täyttää Black & Decker -yhtiön ehdot ja ostosote toimitetaan myyjälle tai valtuutettuun korjauspalveluun.

Black & Decker -yhtiön kahden vuoden takuun ehdot ja lähimmän valtuutetun huoltopalvelun tiedot ovat saatavilla verkko-osoitteessa [www.2helpU.com](http://www.2helpU.com) tai ottamalla yhteyttä paikalliseen Black & Decker -toimistoon tässä ohjekirjassa annettuja yhteystietoja käyttäen.

Osoitteessa [www.blackanddecker.co.uk](http://www.blackanddecker.co.uk) voit rekisteröidä uuden Black & Decker -tuotteesi ja saada tietoa uusista tuotteista sekä erikoistarjouksia.

## Rendeltetésszerű használat

Az Ön BLACK+DECKER BDASB típusú, 18 V-os ütvefűrő-csavarozóját csavarozáshoz, illetve fa, fém és falazat fúrásához terveztük. Iparszerű felhasználásra nem alkalmas.

## Biztonsági útmutatások

### Általános biztonságtechnikai figyelmeztetések elektromos szerszámokhoz



**FIGYELMEZTETÉS** Olvassa el az ehhez az elektromos kéziszerszámhoz tartozó összes biztonsági figyelmeztetést, utasítást, ábrát és specifikációt. Az alábbi figyelmeztetések és útmutatások figyelmen kívül hagyása áramütést, tüzet és/vagy súlyos személyi sérülést okozhat.

**Őrizze meg a figyelmeztetéseket és az útmutatót későbbi használatra.** Az „elektromos szerszám” kifejezés a figyelmeztetésekből az Ön által használt hálózati (vezetékes) vagy akkumulátoros (vezeték nélküli) elektromos szerszámot jelenti.

#### 1. A munkaterület biztonsága

- A munkaterületet tartsa tisztán, és világítsa meg jól.**  
A rendetlen vagy sötét munkaterület vonzza a baleseteket.
- Ne használja az elektromos szerszámokat robbanásveszélyes légterben, például ahol gyúlékony folyadékok, gázok vagy por vannak jelen.** Elektromos szerszámok használatakor szikra keletkezhet, amely begyújthatja a port vagy gázt.
- Az elektromos szerszám használata közben tartsa távol a gyerekeket és a nézelődőket.** Ha elterelik a figyelmét, elveszítheti a szerszám feletti uralmát.

#### 2. Elektromos biztonság

- Az elektromos szerszám csatlakozódugója a hálózati csatlakozóaljzat kialakításának megfelelő legyen.** Soha, semmilyen módon ne alakítsa át a csatlakozódugót. Földelt elektromos szerszámokhoz ne használjon adapter dugaszt. Eredeti (nem átalakított) csatlakozódugó és ahhoz illő konnektor használata mellett kisebb az áramütés veszélye.
- Ügyeljen arra, hogy teste ne érintkezze földelt felületekkel, például csővezetékekkel, radiátorral, tűzhellyel vagy hűtőszekrényvel.** Ha a teste leföldelődik, nagyobb az áramütés veszélye.
- Esőtől és egyéb nedvességtől óvja az elektromos szerszámokat.** Ha víz kerül az elektromos szerszámra, nagyobb az áramütés veszélye.
- Gondosan bánjon a kábellel. Az elektromos szerszámot soha ne a tápkábelnél fogva hordozza vagy húzza, a dugaszát pedig ne a kábelnél fogva**

**húzza ki a konnektorból. Óvja a kábelt hőtől, olajtól, éles szélektől és mozgó alkatrészekről.** Sérült vagy összetekeredett hálózati kábel használata mellett nagyobb az áramütés veszélye.

- Ha a szabadban használja az elektromos szerszámot, kültéri használatra alkalmas hosszabbító kábelt vegyen igénybe.** Annak használatával kisebb az áramütés veszélye.
  - Ha az elektromos szerszám nedves helyen való használata elkerülhetetlen, az elektromos biztonság növelhető egy hibaáramvédő kapcsoló (RCD) előkapcsolásán keresztül.** RCD használata mellett kisebb az áramütés veszélye..
- #### 3. Személyes biztonság
- Soha ne veszítse el éberségét, figyeljen a munkájára, használja a józan esztét, amikor elektromos szerszámmal dolgozik. Ne használja a szerszámot, ha fáradt, ha gyógyszer, alkohol hatása vagy gyógykezelés alatt áll.** Elektromos szerszám használatakor egy pillanatnyi figyelmetlenség is súlyos személyi sérülést okozhat.
  - Használjon személyi védőfelszerelést. Mindig viseljen védőszemüveget.** A védőfelszerelések, például porvédő maszk, biztonsági csúszásmentes cipő, védősisak vagy hallásvédő csökkentik a személyi sérülés veszélyét.
  - Gondoskodjon arról, hogy a szerszám ne indulhasson be véletlenül.** Ellenőrizze, hogy az üzemi kapcsoló kikapcsolt állásban van-e, mielőtt a hálózatra és/vagy akkumulátorra kapcsolja, a kezébe veszi vagy magával viszi a szerszámot. Ha az elektromos szerszám hordozása közben az ujját a kapcsolón tartja, vagy bekapcsolt szerszámot helyez áram alá, balesetet okozhat.
  - Mielőtt bekapcsolja az elektromos szerszámot, vegye le róla a szerelőkulcsot.** Forgó alkatrészeken felejtett kulcs a szerszám beindulásakor személyi sérülést okozhat.
  - Ne nyúljon ki túlságosan messzire. Kerülje a rendellenes testtartást, és egyensúlyát soha ne veszítse el munkavégzés közben.** Így jobban irányíthatja a szerszámot, még váratlan helyzetekben is.
  - Megfelelő öltözéket viseljen. Ne hordjon ékszert vagy laza ruházatot munkavégzés közben. Haját, ruházatát és kesztyűjét tartsa távol a mozgó alkatrészekről.** A laza öltözék, ékszerek vagy hosszú haj beakadhatnak a mozgó részekbe.
  - Ha a szerszámon megtalálható a porelszívási lehetőség, vagy a porzsák, úgy ügyeljen arra, hogy megfelelően csatlakoztassa és használja ezeket munka közben.** Porelszívó berendezés használatával nagymértékben csökkenthetők a por okozta veszélyek.

- h. Ne hagyja, hogy a szerszámok gyakori használata révén megismerkedjen önelégültséggel és figyelmen kívül hagyja a szerszámbiztonsági elveket. A gondatlan fellépés másodperc töredéke alatt súlyos sérüléseket okozhat.**
- 4. Elektromos szerszámok használata és gondozása**
- a. Ne erőltesse az elektromos szerszámot. A célnak megfelelő elektromos szerszámot használja.**  
A megfelelő szerszámmal jobban és biztonságosabban elvégezheti a munkát, ha a teljesítmény kategóriájának megfelelően használja.
- b. Ne használja az elektromos szerszámot, ha a kapcsoló nem működőképes.** Bármely elektromos szerszám használata, amely nem irányítható megfelelően az üzemi kapcsolóval, nagyon veszélyes, ezért azonnal meg kell javíttatni a kapcsolót, ha sérült vagy nem működőképes.
- c. Mielőtt beállítását végez vagy változtat, vagy tartozékok cserél a szerszámon, illetve mielőtt eltávolítja, húzza ki a dugaszát a konnektorból és/vagy válassza le az akkumulátorról.** Ezekkel a megelőző biztonságtechnikai intézkedésekkel csökkenti a szerszám véletlen beindulásának veszélyét.
- d. A használaton kívüli elektromos szerszámot olyan helyen tárolja, ahol gyermekek nem férhetnek hozzá; és ne engedje, hogy olyan személyek használják, akik nem ismerik a szerszámot vagy ezeket az útmutatásokat.** Az elektromos szerszámok nem képzett felhasználó kezében veszélyt jelentenek.
- e. Tartsa karban az elektromos szerszámokat. Ellenőrizze a részegységeket, olajzásukat, esetleg előforduló töréseit, a kézvédő vagy a kapcsoló sérüléseit és minden olyan rendellenességet, amely befolyásolhatja a szerszám használatát. Ha a szerszám sérült, használat előtt javíttassa meg.**  
A nem megfelelően karbantartott elektromos szerszámok számos balesetet okoznak.
- f. Tartsa élesen és tisztán a vágószerszámokat.**  
A megfelelően karbantartott éles vágószerszám beszorolásának kisebb a valószínűsége, és könnyebben irányítható.
- g. Az elektromos szerszámot, tartozékokat, szerszámcsarokat stb. ezeknek az útmutatásoknak megfelelően használja, a munkakörülmények és az elvégzendő feladat figyelembe vételével.** Az elektromos szerszám nem rendeltetésszerű használata veszélyhelyzetet teremthet.
- h. Tartsa a fogantyúkat és a megragadó felületeket szárazon, tisztán, olajtól és zsírtól mentesen.**  
A csúszós fogantyúk és a megragadó felületek nem teszik lehetővé a szerszám biztonságos kezelését és ellenőrzését váratlan helyzetekben.
- 5. Akkumulátoros szerszámok használata és gondozása**
- a. Csak a gyártó által előírt töltővel töltsé az akkumulátort.** Az a töltő, amely alkalmas egy bizonyos típusú akkucsomag töltésére, másik típusú akkucsomagnál tűzveszélyt okozhat.
- b. Az elektromos szerszámot csak a kifejezetten hozzá kijelölt akkucsomaggal használja.** Másfajta akkucsomag használata sérülést vagy tüzet okozhat.
- c. Ha az akkucsomagot nem használja, tartsa távol minden fémestől, például tűzőkapcsoktól, érméktől, kulcsoktól, szegektől, csavaroktól és minden más apró fémtárgytól, amelyek az érintkezéket rövidre zárhatnak.** Az akkumulátor pólusainak rövidre zárása égési sérülést vagy tüzet okozhat.
- d. Kedvezőtlen körülmények között előfordulhat, hogy az akkumulátorból folyadék ömlik ki; kerülje a vele való érintkezést. Ha véletlenül érintkezésbe került a folyadékkal, öblítse le vízzel. Ha a szemébe folyadék került, ezenkívül forduljon orvoshoz is.** Az akkumulátorból kiömlő folyadék irritációt vagy égési sérülést okozhat.
- e. Ne használjon sérült vagy átalakított akkumulátort vagy szerszámot.** A sérült vagy módosított elemek kiszámíthatatlan viselkedést mutathatnak, tüzet, robbanást vagy sérülést okozva.
- f. Ne tegye ki az akkumulátort vagy szerszámot tűznek vagy túlzott hőmérsékletnek.** Tűznek való kitettség vagy 130 ° C feletti hőmérséklet robbanást okozhat.
- MEGJEGYZÉS** A „130 ° C” hőmérsékletet a „265 ° F” hőmérséklet válthatja fel.
- g. Kövesse az összes töltési utasítást, és ne töltsé az akkumulátort vagy szerszámot az utasításokban megadott hőmérsékleti tartományon kívül.** Nem megfelelő töltés vagy a megadott tartományon kívüli hőmérsékleten károsíthatja az akkumulátort, és növelheti a tűzveszélyt.
- 6. Szerviz**
- a. A szerszámot csak képzett szakemberrel javíttassa, és csak eredeti gyári alkatrészeket használjon fel.**  
Ezzel biztosítja az elektromos szerszám folyamatosan biztonságos működését.
- b. Soha ne javítson sérült akkumulátorokat.** Az akkumulátorok javítását csak a gyártó vagy a hivatalos szervizszolgáltató végezheti.
- További biztonságtechnikai figyelmeztetések elektromos szerszámokhoz**



**Figyelmeztetés!** További biztonságtechnikai figyelmeztetések fűrészes-csavarozókhoz



- ◆ **Viseljen fülvédőket ütőfúráskor.** A zaj hatása halláskárosodást okozhat.
- ◆ **Használja a szerszámhoz mellékelt segédanyagtyúkat.** A szerszám feletti uralom elvesztése személyi sérüléssel végződhet.
- ◆ **Használat előtt rögzítse a szerszámot.** Ez az eszköz nagy kimeneti nyomatókat eredményez, és anélkül, hogy a szerszám működés közben megfelelően rögzítene, a vezérlés elvesztése vezethet, ami személyi sérüléseket okozhat.
- ◆ **Az elektromos szerszámot csak a szigetelt markolati felületeinél tartsa, amikor olyan munkát végez, amelynél a vágótartozék rejtett vezetékét érhet.** Ha a vágótartozék áram alatt lévő vezetékét ér, a szerszám csupasz fém alkatrészei is áram alá kerülhetnek, és a kezelő áramütést szenvedhet.
- ◆ **Az elektromos szerszámot csak a szigetelt markolási felületeinél tartsa, ha azzal olyan műveletet végez, amelynél a kötőelem rejtett vezetékét érhet.** Ha a kötőelem áram alatt lévő vezetékét ér, az elektromos szerszám fém alkatrészei is áram alá kerülhetnek, és a kezelő áramütést szenvedhet.

### Biztonsági utasítások hosszú fúrók használatakor

- ◆ **Soha ne működtessen a fúrófej maximális névleges sebességénél nagyobb sebességen. Nagyobb sebességeknél a darab valószínűleg meghajlik, ha hagyják, hogy szabadon forogjanak, anélkül, hogy érintkeznének a munkadarabmal, és ez személyi sérülést okozhat.**
- ◆ **A fúrást mindig alacsony sebességgel és a fúróhegy érintkezésével kezdje meg a munkadarabmal. Nagyobb sebességeknél a darab valószínűleg meghajlik, ha hagyják, hogy szabadon forogjanak, anélkül, hogy érintkeznének a munkadarabmal, és ez személyi sérülést okozhat.**
- ◆ **A nyomást csak a szerszámmal egyenes vonalban végezze, és ne gyakoroljon túlzott nyomást. A bitek meghajolhatnak, töréshez vagy az irányítás elvesztéséhez vezethetnek, és személyi sérülést okozhatnak.**

### Szorítókkal vagy más praktikus módon stabil felülethez

- ◆ **biztonságosan rögzítse a munkadarabot.** Ha a kezében tartja, vagy a testéhez szorítja, az instabillá válik. Ön pedig elveszítheti a szerszám feletti uralmát.
- ◆ Fal, padló vagy mennyezet fúrása előtt tájékozódjon az elektromos- és csővezetékek elhelyezkedéséről.
- ◆ Közvetlenül fúrás után ne érjen a fúrószár hegyéhez, mert a fúrás során felforrósodhatott.
- ◆ A szerszám rendeltetésszerű használatát ebben a kezelési útmutatóban ismertetjük.

A kezelési útmutatóban nem ajánlott tartozék vagy kiegészítő használata, illetve itt fel nem sorolt műveletek végzése személyi sérülés és/vagy dologi kár veszélyével jár.

### Mások biztonsága

- ◆ Ezt a szerszámot nem használhatják olyan személyek (a gyerekeket is beleértve), akik nincsenek fizikai, érzékelési vagy mentális képességeik teljes birtokában, vagy nincs meg a szükséges tapasztalatuk és tudásuk, kivéve, ha a biztonságukért felelős személy felügyel rájuk, vagy megtanítja őket a szerszám használatára.
- ◆ Ügyeljen a gyerekekre, hogy ne játszhassanak a szerszámmal.

### Maradványkockázatok

A szerszám használata további, a biztonsági figyelmeztetések között esetleg fel nem sorolt maradványkockázatokkal is járhat. Ezek a szerszám nem rendeltetésszerű vagy hosszú idejű használatából stb. adódhatnak.

Bizonyos kockázatok a vonatkozó biztonsági előírások betartása és a védőeszközök használata ellenére sem kerülhetnek el. Ezek a következők lehetnek:

- ◆ forgó-mozgó alkatrészek megérintése miatti sérülések;
- ◆ alkatrészek, vágótartozékok vagy egyéb tartozékok cseréje közben bekövetkező sérülések;
- ◆ a szerszám hosszú idejű használata miatti sérülések - ha a szerszámot hosszú ideig használja, rendszeresen iktasson be szüneteket;
- ◆ halláskárosodás;
- ◆ a használat közben keletkező por belégzése miatti egészségkárosodás, különös tekintettel a tölgy, bükk és rétegelt lemez anyagok esetén.

### Súlyozott effektív rezgésgyorsulás

A műszaki adatlapon és a megfelelőségi nyilatkozatban feltüntetett súlyozott effektív rezgésgyorsulási értékeket az EN 62841 szabványnak megfelelően határoztuk meg, így azok felhasználhatók az egyes szerszámoknál mért értékek összehasonlítására is. A megadott érték felhasználható a súlyozott effektív rezgésgyorsulásnak való kitettség mértékének előzetes becsüléséhez is.

**Figyelmeztetés!** A tényleges súlyozott effektív rezgésgyorsulási érték az elektromos szerszám használata során a használat módjától függően eltérhet a feltüntetett értéktől. A tényleges súlyozott effektív rezgésgyorsulás szintje az itt feltüntetett szint fölé is emelkedhet.

A 2002/44/EK irányelv által a szerszámmal rendszeresen dolgozók számára megkövetelt szükséges biztonsági intézkedések meghatározásához végzett, a súlyozott effektív rezgésgyorsulásnak való kitettség értékelésénél a napi kitettséget jelentő időn túl figyelembe kell venni a tényleges használat körülményeit, illetve azt, hogy a szerszámot hogyan használják, ideértve a munkafolyamat minden egyes részét, pl. azokat az időszakokat is, amikor a szerszám ki van kapcsolva vagy üresen jár.

### Címkék a szerszámon

A szerszámon a dátumkóddal együtt a következő piktogramok láthatók:



**Figyelmeztetés!** A sérülésveszély csökkentése végett olvassa el a kezelési útmutatót.



Ütvefűré használata közben viseljen hallásvédőt. A zajnak való kitettség halláskárosodást okozhat.



Ne bámulja a működő lámpát

### További biztonsági útmutatások akkumulátorokhoz és töltőkhöz

#### Akkumulátorok

- ◆ Soha, semmilyen okból ne próbálja szétbontani az akkumulátort.
- ◆ Vízről óvja.
- ◆ Ne tárolja olyan helyen, ahol a hőmérséklet 40 °C fölé emelkedhet.
- ◆ Csak 10 °C és 40 °C közötti környezeti hőmérsékleten töltsé.
- ◆ Csak a szerszámhoz mellékelt töltővel töltsé.
- ◆ Elhasznált akkumulátorok ártalmatlanításánál tartsa be a „Környezetvédelem” című fejezet útmutatásait.



Ne kísérletezzen sérült akkumulátor töltésével.

#### Töltők

- ◆ BLACK+DECKER töltőjével csak a szerszámhoz mellékelt akkumulátort töltsé. Más akkumulátorok szétrobbanhatnak, személyi sérülést és anyagi kárt okozva.
- ◆ Soha ne kísérletezzen nem tölthető telepek töltésével.
- ◆ A hibás vezetékeket azonnal cseréltesse ki.
- ◆ Vízről óvja a töltőt.
- ◆ Ne bontsa szét.
- ◆ Ne próbálgassa mérőműszerrel.



A töltő csak beltéri használatra alkalmas.



Használat előtt olvassa el a kezelési útmutatót.

### Elektromos biztonság



A töltő kettős szigetelésű, ezért nincs szükség földelésre. Mindig ellenőrizze, hogy a hálózati feszültség megfelel-e a töltő adattábláján megadott feszültségnek. Soha ne próbálja a töltőkészüléket hálózati dugasszal helyettesíteni.

- ◆ Ha a hálózati kábel sérült, a veszély elkerülése érdekében cseréltesse ki a gyártóval vagy egyik megbízott BLACK+DECKER szakszervizzel.

### Részegységek

Ez a szerszám a következő részegységek némelyikét vagy mindegyikét tartalmazza:

1. Fordulatszám-szabályozós kapcsoló
2. Forgásirányváltó kapcsoló
3. Nyomatékkilátó gyűrű
4. Gyorstokmány
5. Két mechanikus sebességfokozat kapcsoló
6. LED-es munkalámpa
7. Akkumulátor
8. Akkumulátor kioldógombja

### Összeszerelés

### Használat

**Figyelmeztetés!** Hagyja a készüléket saját tempójában működni. Ne terhelje túl.

### Akkumulátor töltése (A1, A2 ábra)

Az akkumulátort az első használat előtt és minden olyan esetben tölteni kell, amikor nem ad elég teljesítményt olyan munkánál, amelyet korábban könnyedén el lehetett végezni. Töltés közben az akkumulátor meledgedhet, ami normális jelenség, nem jelent hibát.

**Figyelmeztetés!** Ne töltsé az akkumulátort 10 °C alatti vagy 40 °C feletti környezeti hőmérsékletnél. Töltéshez javasolt hőmérséklet: kb. 24 °C.

**Tartsa szem előtt: A töltő nem tölti az akkumulátort, ha a cellahőmérséklet kb. 10 °C alatt vagy 40°C felett van.**

**Ilyenkor hagyja az akkumulátort a töltőben, és az automatikusan tölteni kezd, amint az akkumulátor a megfelelő hőmérsékletre felmelegszik, illetve lehül.**

- ◆ Dugaszolja a töltőt (9) egy szabványos, 230 V-os és 50 Hz-es konnektorra.
- ◆ Csúsztassa be az akkucsomagot (7) a töltőbe, ahogyan az A1, A2 ábra szemlélteti.



A LED (9a) villogása jelzi, hogy az akku töltése folyamatban van.



A töltés befejezését a LED (9a) folyamatos fénye jelzi.

Az akkucsomag teljesen feltöltődött és készen áll a használatra, vagy a töltőben is hagyhatja.

**Figyelmeztetés!** Tűzveszély. Amikor az akkumulátort lekapcsolja a töltőről, először mindig húzza ki a töltő dugaszát a konnektorból, és csak azután vegye ki belőle az akkumulátort.

### Töltő-diagnosztika

Ezt a töltőt úgy terveztük, hogy az akkucsomag vagy az áramellátás bizonyos hibáit érzékeli. A hibákat egy LED különböző sémák szerinti villogása jelzi.

### Rossz akkumulátor



A töltő érzékeli, ha az akkumulátor gyenge vagy sérült. A LED a címkén bemutatott séma szerint villog. Ha ezt a rossz akkura utaló villogási sémát látja, ne töltsen tovább az akkut. Juttassa el egy szervizbe vagy újrahasznosítás céljából egy hulladékgyűjtő létesítménybe.

### Meleg/hideg késleltetés



Amikor a töltő azt érzékeli, hogy az akkumulátor túl meleg vagy túl hideg, automatikusan elindítja a meleg/hideg késleltetést, felfüggesztve a töltést mindaddig, amíg az akkumulátor normál hőmérsékletet nem ér el. Miután ez megtörtént, a töltő automatikusan töltés módra kapcsol. Ez a funkció maximális élettartamot biztosít az akkumulátornak. A LED a címkén bemutatott séma szerint villog.

### Az akkumulátor töltőben hagyása

Az akkucsomag korlátlan ideig maradhat a töltőben, miközben a LED határozatlan ideig világít. A töltő frissen és teljesen feltöltött állapotban tartja az akkucsomagot. Ezen a töltőn automatikus beszabályozó funkció van, amely kiegyenlíti az egyes cellák közötti különbségeket, hogy csúcskapacitáson működhessen az akkucsomag. Az akkucsomagot hetenként be kell szabályozni, valamint akkor is, amikor már nem adja le a korábbi teljesítményt. Az automatikus beszabályozó mód használatához tegye az akkucsomagot a töltőbe, és hagyja ott legalább 8 órán keresztül.

### Fontos tudnivalók a töltéshez

- A leghosszabb élettartam és a legjobb teljesítmény úgy érhető el, hogy az akkumulátort olyankor töltsék, amikor a környező levegő hőmérséklete 18 és 24°C között van. NE töltsen, ha a környező levegő hőmérséklete +4,5 °C alatt vagy +40 °C felett van.

Ezt fontos tudnia, mert különben súlyosan károsodhat az akku.

- Töltés közben melegezhet a töltő és az akkucsomag. Ez természetes jelenség, nem jelent hibát. Használat után az akku hűlését elősegítendő, ne tegye a töltőt vagy az akkucsomagot meleg helyre (pl. fémbarakk vagy szigetetlen utánfutó).
- Ha az akkucsomag nem kellően töltődik:
  - Lámpával vagy más készülékkel ellenőrizze, van-e áram a konnektorban.
  - Ellenőrizze, nincs-e a konnektor egy világítás kapcsolóra csatlakoztatva, amely a világítás kikapcsolásakor a konnektort is áramtalanítja.
  - Vigye át a töltőt és az akkucsomagot olyan helyre, ahol a környező levegő hőmérséklete kb. 18 – 24 °C.
  - Ha a hiba továbbra sem szűnik meg, juttassa el a készüléket, az akkucsomagot és a töltőt a helyi szervizbe.
  - Az akkucsomagot fel kell tölteni, amikor már nem szolgáltat elegendő energiát olyan munkákhoz, amelyeket korábban könnyen el lehetett vele végezni. Ilyen körülmények között NE HASZNÁLJA TOVÁBB. Folytassa a töltést. Részben lemerült akkucsomagot is bármikor tölthet, az nem árt az akkucsomagnak.
  - A töltő üregeitől távol kell tartani az áramot jól vezető idegen anyagokat, például (a teljesség igénye nélkül) a csiszolásnál keletkező port, fémszilánkokat, acélforgácsot, alufóliát és egyéb fémrészecskéket. Tisztítás előtt húzza ki a töltő dugaszát a konnektorból.
  - Ne tegye a töltőt hűtőbe, és ne merítse vízbe vagy más folyadékba.

### Az akkucsomag behelyezése és eltávolítása (B ábra)

**Figyelmeztetés!** Az akkumulátor behelyezése és eltávolítása előtt bizonyosodjon meg arról, hogy a biztonsági kapcsoló (2) aktiválva van, hogy a szerszám véletlenül ne léphessen működésbe.

Az akkucsomag behelyezése:

- Addig csúsztassa be az akkumulátort (7) a szerszámba, amíg kattanást nem hall (B ábra).

### Az akkucsomag eltávolítása a szerszámból (C ábra)

- Nyomja meg az akkumulátor kioldógombját (8), ahogyan a C ábrán látja, majd húzza ki az akkucsomagot a készülékből.

### Kezelési útmutatások

#### Fordulatszám-szabályozós üzemi kapcsoló és forgásirányváltó kapcsoló (D ábra)

- A fűró a fordulatszám-szabályozós üzemi kapcsoló (1) behúzásával és elengedésével kapcsolható be és ki. Minél jobban behúzza a kapcsolót, annál gyorsabban forog a fűró.

- ◆ A forgásirányváltó kapcsolóval (2) változtatható a szerszám forgásiránya, és ugyanez a gomb biztonsági kapcsolóként is működik.
- ◆ Az előre forgásirány kiválasztásához engedje el a fordulatszám-szabályozós üzemi kapcsolót, és tolja balra a forgásirányváltó kapcsolót.
- ◆ A hátra forgásirány kiválasztásához az ellentétes irányba nyomja a forgásirányváltó kapcsolót.

**Tartsa szem előtt:** Az irányváltó kapcsoló középső állásában a szerszám álló helyzetben reteszelve van. Csak az indítókapcsoló elengedése után változtasson a forgásirányváltó kapcsoló állásán.

### Nyomatékszabályzás (E ábra)

Ez a szerszám nyomatékállító gyűrűvel (3) van ellátva, amellyel kiválaszthatja a kívánt üzemmódot, és beállíthatja a csavarok meghúzásához szükséges nyomatékot. Nagyobb csavarokhoz és keményebb anyagú munkadarabokhoz nagyobb nyomaték szükséges, mint a kisebb csavarokhoz és puhább munkadarabokhoz.

- ◆ Faanyagok, fémek és műanyagok fúrásához állítsa a nyomatékállító gyűrűt a fúrás szimbólumhoz.
- ◆ Csavarozáshoz forgassa a gyűrűt a kívánt állásba. Ha még nem tudja, mekkora nyomatékra lesz szüksége, a következőket tegye:
- ◆ Állítsa a gyűrűt a legkisebb nyomatékra.
- ◆ Húzza meg az első csavart.
- ◆ Ha a tengelykapcsoló a kívánt eredmény elérése előtt kiold, állítsa a gyűrűt nagyobb nyomatékra, és folytassa a csavar meghúzását. Ismételje ezt addig, amíg el nem érte a megfelelő beállítást. Ezt a beállítást alkalmazza a többi csavarhoz is.

### Gyorstokmány (F ábra)

**Figyelmeztetés!** Az akkumulátor behelyezése és eltávolítása előtt bizonyosodjon meg arról, hogy a szerszám biztonsági kapcsolója (2) aktíválva van, hogy az üzemi kapcsoló véletlenül ne lépessen működésbe.

Fúrószerű vagy más tartozék beillesztése:

- ◆ Egyik kezével markolja meg a tokmány hátulsó felét (4), a másikkal pedig forgassa az elülső felét a tokmány vége felől nézve az óramutató járásával ellentétes irányban.
- ◆ Illessze be a bitet vagy más tartozékot teljes mértékben a tokmányba, tartsa erősen a tokmány hátulsó részét, majd az elülső részét (a tokmány vége felől nézve) az óramutató járásának irányában forgatva húzza meg erősen.

**Figyelmeztetés!** Ne próbáljon fúrószerűt (vagy bármely más tartozékot) úgy befogni, hogy a tokmány elejét megmarkolja, és közben bekapcsolja a szerszámot. Tartozék cseréjénél károsodhat a tokmány, és személyi sérülés veszélye is fennáll.

### Két mechanikus sebességfokozat kapcsoló (G ábra)

A két mechanikus sebességfokozat kapcsoló sokoldalúbbá teszi a fúró-csavarozót.

Az alacsonyabb fordulatszám és nagyobb nyomaték (1-es állás) kiválasztásához kapcsolja ki a szerszámot és várja meg, amíg leáll. Csúsztassa a két mechanikus sebességfokozat kapcsolót (5) a tokmánytól távolodó irányba. A magasabb fordulatszám és kisebb nyomaték (2-es állás) kiválasztásához kapcsolja ki a szerszámot és várja meg, amíg leáll.

Csúsztassa a két mechanikus sebességfokozat kapcsolót a tokmány irányába.

**Tartsa szem előtt:** A szerszám működése közben ne váltson sebességfokozatot. Ha nehézséget okoz a sebességfokozat váltása, ellenőrizze, hogy a két mechanikus sebességfokozat kapcsolót teljesen előre- vagy hátratólta-e.

### Fúrás/csavarozás

- ◆ A forgásirányváltó kapcsolóval (2) válassza ki az előre vagy hátra forgásirányt.
- ◆ A szerszám bekapcsolásához nyomja be a fordulatszám-szabályozós kapcsolót (1). A kapcsoló behúzásának mértékével arányosan nő a szerszám fordulatszáma.
- ◆ A szerszám kikapcsolásához engedje el a kapcsolót.

### Javaslatok a szerszám optimális használatához

#### Fúrás

- ◆ Csak éles fúrószerűt használjon.
- ◆ A biztonsági útmutatóban megadott módon támassza meg és rögzítse biztonságosan a munkadarabot.
- ◆ Használja a biztonsági útmutatóban említett megfelelő és kötelező biztonsági eszközöket.
- ◆ A biztonsági útmutatóban megadott módon biztosítsa és tartsa rendben a munkaterületet.
- ◆ Nagyon lassan és csak enyhén nyomva működtesse a fúrót, amíg a furat elég nagy nem lesz ahhoz, hogy a fúrószerűt ne csúszson ki belőle.
- ◆ Tengelyirányban nyomja a fúrószerűt. Akkora nyomást gyakoroljon a szerszámra, hogy a fúrószerűt működhessen, de ne nyomja túl erősen, mert attól leállhat a motor, vagy elgörbülhet a fúrószerűt.
- ◆ Mindkét kezével erősen tartsa a fúrót, hogy meg ne csavarodhasson.
- ◆ ELAKADT FÚRÓT NE PRÓBÁLJON A FORDULATSZÁM-SZABÁLYOZÓS ÜZEMI KAPCSOLÓ KI- ÉS BEKAPCSOLÁSÁVAL ÚJRAINDÍTANI. ATTÓL KÁROSODHAT A FÚRÓ.

- ◆ Csökkentett nyomással és lassan fúrjon, amikor a furat utolsó részéhez ér, hogy csak minimális legyen az elakadás lehetősége.
- ◆ Járassa a motort, amikor a fúrót a kész furatból kihúzza. Így kisebb lesz a fúrószár beszorulásának esélye.
- ◆ Győződjön meg arról, hogy a kapcsolóval be- és ki lehet kapcsolni a fúrót.

### Fa fúrása

Fát a fém fúrásához használt csigafúró szárral vagy lapmaró szárral vagy lapmaró szárral lehet fúrni. Ezeknek a fúrószárnak élesnek kell lenniük, és gyakran ki kell őket húzni a furatból, hogy a fúrószár barázdáiból kitisztítsuk a törmeléket.

### Fém fúrása

Fém fúrásánál használjon kenőanyagot. Kivételt képez az öntöttvas és a sárgaréz, ezeket szárazon kell fúrni. A fúráshoz használható legjobb kenőanyag a kénezett vágóolaj vagy a disznószőről préselt olaj.

### Falazat fúrása

Falazat fúrásához állítsa a gyűrűt (3) útvefűró helyzetbe úgy, hogy a szimbólumot a jelöléshez igazítja. Csúsztassa a két mechanikus sebességfokozat kapcsolót (5) a szerszám eleje felé (2. fokozat).

### Csavarozás

- ◆ Mindig a megfelelő típusú és méretű csavarozószárat használja.
- ◆ a csavar csak nehezen hajtható be, kenőanyagként tegyen egy kevés mosószert vagy szappant a csavarra.
- ◆ A szerszámot és a csavarozószárat mindig a csavarral egyenes vonalban tartsa

### Hibaelhárítás

Hiba	Lehetséges ok	Lehetséges megoldás
A szerszám nem indul be.	Az akkusomag nincs feltöltve.	Ellenőrizze, milyen követelmények vonatkoznak az akkusomag töltésére.
Az akkusomag nem töltődik.	A töltő nincs áramforrásra dugaszolva. A környező levegő túl meleg vagy túl hideg.	Dugaszolja a töltőt egy működő hálózati aljzatra. Vigye a töltőt és az akkusomagot olyan környezetbe, ahol a levegő hőmérséklete 4,5 °C és +40,5 °C között van.
A szerszám hirtelen leáll.	Az akkusomag hőmérséklete elérte a felső határértéket. Lemerült az akku. (Az akkusomagot a maximális élettartam érdekében úgy terveztük, hogy hirtelen lezárjon, amint lemerült a töltése.)	Hagyja lehűlni az akkusomagot. Helyezze a töltőre, és hagyja töltődni.

### Karbantartás

Az Ön BLACK+DECKER szerszámát minimális karbantartás melletti hosszú távú használatra terveztük. Folyamatos és kielégítő működése a megfelelő gondozástól és a rendszeres tisztítástól is függ.

Az Ön töltőkészüléke a rendszeres tisztításon kívül más karbantartást nem igényel.

**Figyelmeztetés!** Mielőtt a szerszám karbantartásába kezdene, vegye ki belőle az akkumulátort. Tisztítás előtt húzza ki a töltő dugaszát a konnektorból.

- ◆ Puha kefével vagy száraz ronggyal rendszeresen tisztítsa meg a szerszám és a töltő szellőzőréseit.
- ◆ Nedves ronggyal rendszeresen tisztítsa le a motorburkolatot.  
Ne használjon súrolószert vagy oldószer alapú tisztítószert.
- ◆ Rendszeresen nyissa ki a tokmányt és ütögesse meg, hogy a belsejéből kihulljon a por.

### Környezetvédelem



Elkülönítve gyűjtendő. Ezzel a szimbólummal jelölt termékeket és akkumulátorokat tilos a normál háztartási hulladékba dobni.

A termékek és akkumulátorok tartalmaznak visszanyerhető vagy újrahasznosítható anyagokat, ami csökkenti a nyersanyagok iránti igényt. Kérjük, hogy a helyi előírásoknak megfelelően gondoskodjon az elektromos termékek és akkumulátorok újrahasznosításáról. További tájékoztatást a [www.2helpU.com](http://www.2helpU.com) honlapon talál

### Műszaki adatok

		BDASB18	
Feszültség	V <sub>DC</sub>	18	
Üresjáratú fordulatszám	min <sup>-1</sup>	0 - 360/0 - 1400	
Maximális nyomaték	Nm	45	
Tokmány kapacitása	mm	1-10	
Maximális fúrási kapacitás			
Acél/falazat	mm	10/25/10	
Súly	kg	0,9 (akkumulátorral együtt: 1,3)	

Töltő		90589867	90590287-06	90634971
Felvett feszültség	V <sub>AC</sub>	230	230	230
Leadott feszültség	V <sub>DC</sub>	18	18	18
Áramerősség	mA	200	400	1A
Töltési idő kb.	óra	8	3 - 5	1,5

Akkumulátor		BL1518
Feszültség	V <sub>AC</sub>	18
Kapacitás	Ah	1.5
Típus		Li-Ion

**Hangnyomásszint az EN 62841szabvány szerint:**

Hangnyomás ( $L_{pA}$ ) 87.5 dB(A), toleranciafaktor (K) 5 dB(A)  
 Hangteljesítmény ( $L_{WA}$ ) 98.5 dB(A), toleranciafaktor (K) 5 dB(A)

**Súlyozott effektív rezgésgyorsulás összértéke (három tengely vektorösszege) az EN 62841szabvány szerint:**

Ütvefűrés betonba ( $a_{h,iso}$ ) 14.2 m/s<sup>2</sup>, toleranciafaktor (K) 1.5 m/s<sup>2</sup>

Fűrés fémbe ( $a_{h,iso}$ ) 1.1 m/s<sup>2</sup>, toleranciafaktor (K) 1.5 m/s<sup>2</sup>

**CE megfelelési nyilatkozat**

GÉPEKRE VONATKOZÓ IRÁNYELV



BDASB18 - Ütvefűró

A Black & Decker kijelenti, hogy a „Műszaki adatok” cím alatt ismertetett termékek megfelelnek a következő irányelveknek és szabványoknak: 2006/42/EC, EN62841-1:2015 EN62841-2-1:2018+A11:2019.

Ezek a termékek a 2014/30/EU és a 2011/65/EU irányelveknek is megfelelnek. További tájékoztatásért forduljon a Black & Decker vállalathoz az alábbi címen vagy a kézikönyv végén megadott elérhetőségeken.

Az aláírás tulajdonosa a műszaki adatok összeállításáért felelős személy; nyilatkozatát a Black & Decker vállalat nevében adja.

Ed Higgins

Director – Consumer Power Tools  
 Black & Decker Europe, 270 Bath Road, Slough,  
 Berkshire, SL1 4DX  
 Egyesült Királyság  
 29/11/2019

**Garancia határozat**

A Black & Decker elhivatott a termékei minősége iránt, és a vásárlás dátumától számított 24 hónapos garanciát kínál. Ez a garancia határozat csak kiegészítő és semmi esetre sem befolyásolja hátrányosan az Ön törvényes jogait.

A garancia az Európai Unió tagállamai területén, valamint az Európai Szabadkereskedelmi Társulás (EFTA) területén érvényes.

A garanciális igény meg kell, hogy feleljen a Black & Decker feltételeinek, a vásárlónak be kell mutatnia a vásárlás bizonyítékát az eladó vagy a megbízott szerviz felé.



## BLACK & DECKER JÓTÁLLÁSI JEGY ÉS JÓTÁLLÁSI FELTÉTELEK

Gratulálunk Önnek ennek az értékes Black & Decker készülék megvásárlásához.

Azon termékeinkre, amelyet fogyasztói szerződés keretében háztartási, hobby célra vásárolnak **24 hónap jótállást vállalunk.**

### A termék iparszerű használatra nem alkalmas!

A jótállás a fogyasztó jogszabályból eredő jogait nem érinti.

- 1) A Stanley Black & Decker Hungary Kft. a jótállás, kellék- és termékszavatosság keretében végzett javításokat vagy a termék kicserélését 19/2014. (IV.29.) NGM rendelet és a 151/2003. (IX.22.) Kormányrendelet szerint végzi a jótállási idő, illetve a kellék- és termékszavatossági jogok érvényesíthetőségének teljes időtartama alatt.
  - a) A fogyasztó jótállási igényét a jótállási jeggyel érvényesítheti, ezért kérjük azt őrizze meg.
  - b) Vásárláskor a forgalmazónak (kereskedőnek) a jótállási jegyben fel kell tüntetnie a fogyasztási cikk azonosítására alkalmas megnevezését, típusát, gyártási számát, továbbá – amennyiben van ilyen – azonosításra alkalmas részeinek meghatározását, illetve a fogyasztó részére történő átadásának időpontját. A jótállási jegyet a forgalmazó (kereskedő) nevében eljáró személynek alá kell írnia és a kereskedés azonosítására alkalmas tartalmú (minimum cégnév, üzlet címe) bélyegzővel olvashatóan le kell bélyegezni. Kérjük, kísérlje figyelemmel a jótállási jegy megfelelő érvényesítését, mivel a kijelölt szervizeknél a jótállási igény csak érvényes jótállási jeggyel érvényesíthető. Amennyiben a jótállási jegy szabálytalanul került kiállításra, jótállási igényével kérjük forduljon a termékhez Ön részére értékesítő partnereinkhöz (kereskedőhöz). A jótállási jegy szabálytalan kiállítása vagy a fogyasztó rendelkezésére bocsátás elmaradása nem érinti a jótállási érvényességét. Kérjük, hogy a jótállási jegyben kívül a nyugtát vagy számlát is szíveskedjen megőrizni a gyorsabb és hatékonyabb ügyintézés érdekében, mert a szerződés megkötése az ellenérték megfizetését igazoló bizonylattal is bizonyítható.
  - c) Elveszett jótállási jegyet csak a fogyasztói szerződés létrejöttét igazoló nyugta vagy számla ellenében tudunk pótolni!
- 2) **Nem terjed ki a jótállás:**
  - a) amennyiben a hiba oka rendeltetésellenes, illetve a mellékelt magyar nyelvű használati kezelési útmutatóban foglaltaktól eltérő használat, átalakítás, szakszerűtlen kezelés, helytelen tárolás, elemi kár vagy egyéb a vásárlás után a fogyasztó érdekkörében keletkezett ok miatt következik be;
  - b) amennyiben a termék iparszerű (professzionális) célokra használták, kölcsönzési szolgáltatás nyújtásához használták fel (nem fogyasztói szerződés);
  - c) azon alkatrészekre, amelyek esetében a meghibásodás a jótállási időn belüli rendeltetészerű használat mellett az alkatrészek természetes elhasználódása, kopása miatt következett be (gyük különösen: fűrészlánc, fűrészlap, gyalukés, meghatószij, csapagák, szénkefe, csillagkerék);
  - d) a készülék túlterhelése miatt jelentkező hibákra, amelyek a hajtómű meghibásodásához, vagy egyéb ebből adódó károkhöz vezetnek;
  - e) a termék nem hivatalos szervizben történt javításából eredő hibákra;
  - f) az olyan károsodásokra, amelyek nem eredeti Black & Decker kiegészítő készülékek és tartozékok használatából adódnak **amennyiben a szakszerviz bizonyítja, hogy a hiba a fenti okok valamelyikére vezethető vissza.**
- 3) A fogyasztó a javítás vagy csere iránti igényét a jótállási időn belül a kereskedőnél, illetve javítás iránti igényét a jótállási jegyben feltüntetett javítószolgálatnál is érvényesítheti.

Termékszavatossági igényét kérjük a jótállási jegyben feltüntetett gyártnak vagy forgalmazónak szíveskedjen bejelenteni.

- a) Nem számít bele a jótállási időbe a javítási időnek az a része, amely alatt a fogyasztó a terméket nem tudta rendeltetészerűen használni.
  - b) A terméknek a kicseréléssel vagy javítással érintett részére a jótállási idő újból kezdődik.
  - c) Ha a fogyasztási cikk a vásárlástól (üzembe helyezéstől) számított három munkanapon belül meghibásodik, a fogyasztó ezen időtartamon belül kérheti annak kicserélését feltéve, hogy a meghibásodás a rendeltetészerű használat akadályozza. A hiba fennállásának, vagy a rendeltetészerű használat akadályozó mérték megállapításához a kereskedő kérheti a szakszerviz közreműködését.
  - d) Amennyiben a jótállási igény bejelentését követően a kereskedő az igény teljesíthetőségéről azonnal nem tud nyilatkozni, úgy öt munkanapon belül kell értesítenie a fogyasztót az álláspontjáról.
  - e) Ha a javítás vagy a csere nem lehetséges, a fogyasztó választása szerint műszakilag és értékben hasonló készülék kerül felajánlásra, vagy a vételár arányos leszállítására kerül sor, avagy visszafizetésre kerül a vételár.
  - f) A termék hibája miatt a fogyasztó a forgalmazótól is követelheti a hiba kijavítását vagy a termék kicserélését a forgalomba hozattalól számított két év elteltéig (termékszavatosság).
- 4) A jótállás alapján történő javítás során a forgalmazónak, illetve a javítószolgálatnak (kereskedőnek) törekednie kell arra, hogy a javítást legfeljebb 15 napon belül megfelelő minőségben elvégezze, elvégeztesse.

A jótállás keretében tartozó javítás vagy csere esetén a forgalmazó, illetve a javítószolgálat a jótállási jegyben köteles feltüntetni:

- a javítás iránti igény bejelentésének és a javításra történő átvétel időpontját,
- a hiba okát és a javítás módját;
- a termékfogyasztó részére történő visszaadásának időpontját,
- a kicserélés tényét és időpontját.

### A termék meghibásodása esetén a fogyasztót az alábbi jogok illetik meg:

Elsősorban - választása szerint - javítást vagy kicserélést követelhet. A csereigény akkor megalapozott, ha a termék a fogyasztónak okozott jelentős kényelmetlenség nélkül, megfelelő minőségben és ésszerű határidőn belül, értékcsökkenés nélkül nem javítható ki, vagy nem kerül javításra.

Ha az előírt módon történő javításra, illetve kicserélésre vonatkozó kötelezettségének a forgalmazó nem tud eleget tenni, a fogyasztó – választása szerint – a vételár arányos leszállítását igényelheti, a hibát a forgalmazó költségére maga javíttathatja, vagy elállhat a szerződéstől (a hibás ár visszasszolgáltatásával egyidejűleg kérheti a nyugtán vagy számlán feltüntetett bruttó vételár visszatérítését). Jelentéktelen hiba miatt elállásnak nincs helye!

Kérjük, hogy a hiba felfedezését követő legrövidebb időn belül szíveskedjen azt a szervizben vagy a forgalmazónál bejelenteni. A javítást vagy kicserélést - a dolog tulajdonságaira és a fogyasztó által elvárható rendeltetésére figyelemmel - megfelelő határidőn belül, a fogyasztó érdekeit kímélve kell elvégezni.

Gyártó:	Forgalmazó:
Black & Decker Europe,	Stanley Black & Decker Hungary Kft
210 Bath Road, Slough,	1016. Budapest,
Berkshire, SL13YD,	Mészáros u. 58/B
Egyesült Királyság	

**Fogyasztói jogvita esetén a fogyasztó a megyei (fővárosi) kereskedelmi és iparkamarák mellett működő békéltető testület eljárását is kezdeményezheti!**

**Kereskedő által a vásárlással egyidejűleg kitöltendő**

Kereskedő neve és címe:

.....

A fogyasztási cikk megnevezése:.....

Tipusa: .....

Gyártási száma: .....

Szerződésköltés és a termék fogyasztó részére történő átadásának

dátuma: .....

..... P.H.

aláírás

**Kereskedő által kitöltendő kicserélés esetén**

A fogyasztó a hibás terméket valamennyi tartozékával átadta.

A kicserélés időpontja:

..... P.H.

aláírás

A hibátlan terméket átvettem.

A kicserélt új termék átvételének időpontja: .....

.....

**fogyasztó aláírása****Kijavítás esetén a szerviz tölti ki:****1. javítás**

A kijavítás iránti igény bejelentésének és a kijavításra átvétel időpontja:

.....

A bejelentett hiba oka és a kijavítás módja:

.....

A fogyasztó részére történő visszaadás időpontja:

.....

Amennyiben a termék nem javítható, a csereigény alapos:

igen / nem (aláhúzással jelölendő)

..... P.H.

aláírás

**3. javítás**

A kijavítás iránti igény bejelentésének és a kijavításra átvétel időpontja:

.....

A bejelentett hiba oka és a kijavítás módja:

.....

A fogyasztó részére történő visszaadás időpontja:

.....

Amennyiben a termék nem javítható, a csereigény alapos:

igen / nem (aláhúzással jelölendő)

..... P.H.

aláírás

**2. javítás**

A kijavítás iránti igény bejelentésének és a kijavításra átvétel időpontja:

.....

A bejelentett hiba oka és a kijavítás módja:

.....

A fogyasztó részére történő visszaadás időpontja:

.....

Amennyiben a termék nem javítható, a csereigény alapos:

igen / nem (aláhúzással jelölendő)

..... P.H.

aláírás

**4. javítás**

A kijavítás iránti igény bejelentésének és a kijavításra átvétel időpontja:

.....

A bejelentett hiba oka és a kijavítás módja:

.....

A fogyasztó részére történő visszaadás időpontja:

.....

Amennyiben a termék nem javítható, a csereigény alapos:

igen / nem (aláhúzással jelölendő)

..... P.H.

aláírás

## Stanley Black & Decker Hungary Kft

Iroda 1016 Bp. Mészáros u 58/b. Tel. 214-05-61 Fax. 214-69-35

### Központi Márkaszerviz

Elérhetőség  
ROTEL Kft. Márkaszerviz 1163 Bp. (Sashalom) Thököly út 17. Tel/fax 403-22-60, 404-00-14, 403-65-33 service@rotelkft.hu www.rotelkft.hu

#### Garancián túli javító ill. garanciális átvévhelyek

Város Szervizállomás Cím Telefon

Város	Szervizállomás	Cím	Telefon
Cegléd	Megatool Kft.	2700, Széchenyi út 4.	53/311-284
Debrecen	Spirál-szerviz kft	4025, Nyugati út 5-7.	52443-000
Hajdúböszörmény	Vill-For Szerviz Bt	4220, Balthazár u. 26.	52/561-135
Kaposvár	Kaposvári Kiszgépjavitó és Ért. BT	7400, Fő u.30.	82/318-574
Nagykanizsa	Vektor2000BT	8800, Király u 34.	93/310-937
Nyíregyháza	Charon Trade Kft	4400, Kállói út 85/b	42/460-154
Nyíregyháza	Tóth Kiszgépszerviz	4400, Vasgyár u.2/f	42/504-082
Pécs	Elektrio Kft.	7623, Szabadság u.28.	72/555-657
Szeged	Csavarker Plus Kft	6721, Brüsszeli krt.16.	62/542-870
Székesfehérvár	Kiszgép Center Bt.	8000, Széna tér 3.	22/340-026
Szolnok	Valido BT	5000 Dr Elek István u 5	20/4055711
Szombathely	Rotor Kft.	9700, Vasút u.29.	94/317-579
Tápiószecső	ÁCS.I Ker és Szolg Kft	2251, Pesti út 31-es főút	29/446-615

## Namjena

Ova udarna bušilica BLACK+DECKER BDASB18V predviđena je za rad s vijcima i bušenje drva, metala i građevinskih materijala. Ovaj je alat predviđen isključivo za amatersku upotrebu.

## Sigurnosne upute

### Opća sigurnosna upozorenja za električne alate



**UPOZORENJE** Pročitajte sva sigurnosna upozorenja, upute, ilustracije i specifikacije isporučene s ovim električnim alatom. Nepoštivanje upozorenja i uputa navedenih u nastavku može rezultirati strujnim udarom, požarom i/ili ozbiljnim ozljedama.

**Upozorenja i upute čuvajte za slučaj potrebe.** Izraz "električni alat" u svim dolje navedenim upozorenjima odnosi se na električni alat napajan putem gradske mreže (sa žicom) ili električni alat napajan akumulatorskom baterijom (bez žice).

#### 1. Sigurnost na radnome mjestu

- a. **Radno područje održavajte čistim i dobro osvijetljenim.** Zakršeni ili mračni prostori dovode do nezgoda.
- b. **S električnim alatima nemojte raditi u eksplozivnom okruženju, kao što je blizina zapaljivih tekućina, plinova ili prašine.** Električni alati stvaraju iskre koje mogu zapaliti prašinu ili pare.
- c. **Prilikom rada s električnim alatom držite podalje promatrače i djecu.** Zbog odvratanja pozornosti mogli biste izgubiti nadzor nad uređajem.

#### 2. Zaštita od električne struje

- a. **Utikači električnih alata moraju odgovarati utičnicama.** Nikad i ni na koji način ne prepravljajte utikač. Pri upotrebi električnih alata s uzemljenjem ne koristite prilagodne utikače. Neizmijenjeni utikači i odgovarajuće utičnice smanjit će rizik od strujnog udara.
- b. **Izbjegavajte fizički kontakt s uzemljenim površinama poput cijevi, radijatora, metalnih okvira i hladnjaka.** Ako je tijelo uzemljeno, rizik od strujnog udara je povećan.
- c. **Električne alate ne izlažite kiši ni vlazi.** Prodiranje vode u električni alat povećat će rizik od strujnog udara.
- d. **Kabel ne upotrebljavajte za nepredviđene namjene.** Kabel ne upotrebljavajte za nošenje, povlačenje ili odvajanje utikača alata iz električne utičnice. Kabel držite daleko od izvora topline, ulja i oštih ili pokretnih dijelova. Oštećeni ili zapleteni kabel povećat će rizik od strujnog udara.
- e. **Pri radu s električnim alatom na otvorenom, upotrijebite produžni kabel pogodan za upotrebu na otvorenom.**

Upotreba kabela prikladnog za otvorene prostore smanjuje rizik od strujnog udara.

- f. **Ako nije moguće izbjeći korištenje električnog alata u vlažnim uvjetima, upotrijebite napajanje s diferencijalnom sklopkom za zaštitu od neispravnosti uzemljenja (RCD).** Upotreba sklopke na diferencijalnu struju (RCD) smanjuje rizik od strujnog udara.

#### 3. Osobna sigurnost

- a. **Pri radu s električnim alatom budite oprezni, usredotočeni na rad i primjenjujte zdravorazumski pristup. Ne koristite električni alat ako ste umorni ili pod utjecajem droga, alkohola ili lijekova.** Trenutak nepažnje tijekom rada s električnim alatom može dovesti do ozbiljnih ozljeda.
  - b. **Rabite opremu za osobnu zaštitu. Uvijek koristite zaštitu za oči.** Upotreba zaštitne opreme poput maske protiv prašine, sigurnosnih neklizajućih cipela, šljema ili zaštite sluha u odgovarajućim uvjetima smanjit će rizik od tjelesnih ozljeda.
  - c. **Spriječite nenamjerno uključivanje. Prije priključivanja u električnu mrežu ili umetanja baterije, kao i prije uzimanja ili nošenja alata, provjerite je li prekidač u isključenom položaju.** Nošenje električnog alata tako da je prst na prekidaču ili priključivanje električnog alata kojemu je prekidač uključen dovodi do nezgoda.
  - d. **Prije nego što uključite uređaj, uklonite s njega sve ključeve i alate za podešavanje.** Ostavljanje ključa na rotirajućem dijelu električnog alata može dovesti do ozljeda.
  - e. **Ne posežite predaleko. Pazite na ravnotežu i zauzmite stabilan položaj.** To omogućuje bolji nadzor nad električnim alatom u neočekivanim situacijama.
  - f. **Nosite prikladnu odjeću. Ne nosite široku odjeću ili nakit. Kosu, odjeću i rukavice uvijek držite daleko od pokretnih dijelova.** Pokretni dijelovi mogu zahvatiti labavo obučenu odjeću, nakit ili dugu kosu.
  - g. **Ako postoji mogućnost priključivanja uređaja za usisavanje i prikupljanje prašine, osigurajte njihovo pravilno povezivanje i upotrebu.** Upotreba uređaja za prikupljanje prašine može smanjiti opasnosti vezane uz prašinu.
  - h. **Ne dopustite da vam poznavanje stečeno zbog česte uporabe alata omogući da postanete samozadovoljni i zanemarite načela sigurnosti alata.** Nepažnjom se mogu dogoditi teške ozljede u djeliću sekunde.
- #### 4. Upotreba i čuvanje električnih alata
- a. **Električni alat nemojte forsirati.** Upotrijebite odgovarajući električni alat za posao koji obavljate. Prikladan električni alat bolje će i sigurnije obaviti posao brzinom za koju je predviđen.
  - b. **Ne upotrebljavajte električni alat ako se prekidač ne**

- može prebaciti u isključeni ili uključeni položaj. Svaki električni alat kojim se ne može upravljati pomoću prekidača predstavlja opasnost i potrebno ga je popraviti.
- c. **Prije podešavanja, zamjene pribora ili pohranjivanja električnog alata isključite utikač iz utičnice ili odvojite akumulatorsku bateriju.** Ove sigurnosne mjere smanjuju rizik od nehotičnog pokretanja električnog alata.
- d. **Električne alate koji se ne upotrebljavaju pohranite izvan dohvata djece i ne dopustite rad osobama koje nisu upoznate s ovim alatom ili ovim uputama.** Električni alati opasni su ako njima rade nestručni korisnici.
- e. **Električne alate treba održavati.** Provjerite ima li kakvih otklona, savinutih ili napuklih dijelova ili bilo kakvih drugih stanja koja mogu utjecati na rad električnog alata. Ako je alat oštećen, popravite ga prije upotrebe. Velik broj nezgoda uzrokovan je loše održanim električnim alatima.
- f. **Rezne dijelove alata održavajte oštroma i čistima.** Pravilno održavanje reznih alata i njihovih oštrica smanjuje mogućnost savijanja i olakšava upravljanje.
- g. **Električni alat, pribor, nastavke i sl. upotrebljavajte u skladu s ovim uputama te uzimajući u obzir radne uvjete i posao koji je potrebno obaviti.** Upotreba električnog alata za poslove za koje nije predviđen može dovesti do opasnih situacija.
- h. **Držite ručke i zahvatne površine suhim, čistim i bez ulja i masti.** Klizave ručke i hvataljne površine ne omogućuju sigurno rukovanje i kontrolu alata u neočekivanim situacijama.
5. **Upotreba i čuvanje akumulatorskih baterija**
- a. **Punite isključivo punjačem kojeg je odredio proizvođač.** Punjač koji je pogodan za jednu vrstu baterije može predstavljati rizik od požara ako se upotrebljava uz druge baterije.
- b. **Električne alate upotrebljavajte isključivo s preporučenim baterijama.** Upotreba bilo koje druge baterije može predstavljati rizik od ozljede i požara.
- c. **Kad baterija nije u upotrebi, držite je podalje od ostalih metalnih predmeta poput spajalica za papir, ključeva, čavala, vijaka ili drugih manjih metalnih predmeta koji mogu uzrokovati kratak spoj kontakata baterije.** Kratki spoj priključaka baterije može uzrokovati eksploziju ili požar.
- d. **U slučaju nepravilne upotrebe iz baterije bi mogla iscuriti tekućina. Izbjegavajte kontakt. Ako dođe do slučajnog kontakta, isperite vodom. Ako tekućina dospje u oči, odmah potražite liječničku pomoć.** Tekućina iz baterije može uzrokovati iritacije i opekline.
- e. **Ne koristite bateriju ili alat koji je oštećen ili modificiran.** Oštećene ili modificirane baterije mogu pokazati nepredvidivo ponašanje što rezultira vatrom, eksplozijom ili opasnošću od ozljeda.

- f. **Ne izlažite bateriju ili aparat vatri ili prekomjernoj temperaturi.** Izloženost vatri ili temperaturi iznad 130 °C može prouzrokovati eksploziju.

**NAPOMENA** Temperatura "130 °C" može se zamijeniti temperaturom "265 °F".

- g. **Slijedite sve upute za punjenje i ne punite bateriju ili alat izvan temperaturnog raspona navedenog u uputama.** Nepravilno punjenje ili na temperaturama izvan određenog raspona mogu oštetiti bateriju i povećati opasnost od požara.

## 6. Servisiranje

- a. **Električne alate servisirajte kod kvalificiranog serviser a i upotrebom identičnih zamjenskih dijelova.** To omogućuje sigurnu uporabu alata.
- b. **Nikada ne servisirajte oštećene baterije.** Servis baterija smije obavljati samo proizvođač ili ovlašteni serviser.

## Dodatna sigurnosna upozorenja za električne alate



**Upozorenje!** Dodatna sigurnosna upozorenja za bušilice

- ◆ **Nosite štitičke za uši prilikom udarnog bušenja.** Izloženost buci može uzrokovati gubitak sluha.
- ◆ **Upotrebljavajte pomoćne rukohvate isporučene uz alat.** Gubitak nadzora može uzrokovati tjelesne ozljede.
- ◆ **Prije upotrebe pravilno učvrstite alat.** Ovaj alat stvara visoki izlazni okretni moment i bez ispravnog učvršćivanja alata tijekom rada može doći do gubitka kontrole što može rezultirati osobnim ozljedama
- ◆ **Električni alat držite isključivo za izolirane rukohvate dok radite u područjima u kojima bi pribor mogao doći u dodir sa skrivenim ožičenijima.** U slučaju kontakta reznog pribora sa žicom pod naponom, taj se napon može prenijeti na metalne dijelove alata i uzrokovati strujni udar.
- ◆ **Električni alat držite isključivo za izolirane rukohvate dok radite na mjestima na kojima bi vijak mogao doći u kontakt sa skrivenim ožičenijima.** U slučaju kontakta sa žicom pod naponom, taj se napon može prenijeti na metalne dijelove alata i uzrokovati strujni udar.

## Sigurnosne upute za uporabu dugih čepova

- ◆ **Nikada ne radite na većoj brzini od najveće brzine bušenja.** Pri većim brzinama bit će se vjerojatno saviti ako se dopusti da se slobodno vrti bez kontakta s obratkom, što može rezultirati osobnim ozljedama.
- ◆ **Uvijek započnite bušenje pri malim brzinama i vrhom bita u kontaktu s obratkom.**

Pri većim brzinama bit će se vjerojatno saviti ako se dopusti da se slobodno vrti bez kontakta s obratkom, što može rezultirati osobnim ozljedama.

- ◆ **Tlačite pritisak samo u izravnoj liniji s bitnom i ne primjenjujte pretjerani pritisak.** Bitovi se mogu saviti uzrokujući lom ili gubitak kontrole, što rezultira osobnim ozljedama.
- ◆ **Upotrijebite stezaljke ili na drugi praktičan način učvrstite radni materijal za stabilnu podlogu.** Pridržavanje radnog materijala rukom ili njegovu oslanjanje na tijelo nije sigurno i može dovesti do gubitka nadzora.
- ◆ Prije bušenja u zidu, podu ili stropu provjerite raspored ožičenja i cijevi.
- ◆ Izbjegavajte dodirivanje nastavka za bušenje odmah nakon bušenja jer može biti vruć.
- ◆ Predviđena namjena opisana je u priručniku. Upotreba bilo kojeg dodatnog dijela ili opreme, kao i izvođenje bilo kojih postupaka pomoću ovog alata koji nisu opisani u ovom priručniku mogu predstavljati opasnost od tjelesne ozljede i/ili materijalne štete.

### Sigurnost drugih osoba

- ◆ Ovaj alat nije namijenjen upotrebi od strane osoba sa smanjenim fizičkim, osjetilnim ili mentalnim sposobnostima, uključujući i djecu ni osoba sa nedostatkom iskustva ili znanja, osim ako ih osoba zadužena za njihovu sigurnost nadzire ili im je pružila upute za sigurnu upotrebu uređaja.
- ◆ Djecu je potrebno nadgledati kako se ne bi igrala uređajem.

### Stalno prisutni rizici

Tijekom upotrebe alata mogu nastati dodatni rizici, koji nisu navedeni u priloženim sigurnosnim upozorenjima. Ti rizici mogu nastati uslijed nepravilne upotrebe, duge upotrebe itd. Čak i uz primjenu važećih sigurnosnih propisa i sigurnosnih uređaja, neke stalno prisutne rizike nije moguće izbjeći. Oni obuhvaćaju:

- ◆ Ozljede uzrokovane dodirivanjem rotirajućih/pokretnih dijelova.
- ◆ Ozljede prouzrokovane tijekom promjene dijelova, oštrica ili dodatne opreme.
- ◆ Ozljeda prouzrokovane produljenom upotrebom alata. Radite redovite pauze tijekom dulje upotrebe bilo kojeg alata.
- ◆ Oštećenje sluha.
- ◆ Opasnosti za zdravlje uslijed udisanja prašine nastale tijekom upotrebe alata (npr. tijekom rada s drvom, osobito hrastovinom, bukvinom i ivericom).

### Vibracije

Deklarirane vrijednosti emisija vibracija, koje su navedene u tehničkim podacima i izjavi o usklađenosti, izmjerene su u skladu sa standardiziranim metodom ispitivanja navedenom u dokumentu EN 62841 i mogu se koristiti za međusobno uspoređivanje alata. Deklarirana vrijednost emisija vibracija može se koristiti i za preliminarno procjenjivanje izloženosti.

**Upozorenje!** Vibracije tijekom stvarne upotrebe električnog alata mogu se razlikovati od deklariranih vrijednosti, ovisno o načinima na koje se alat koristi. Razina vibracija može porasti iznad navedene razine.

Pri ocjenjivanju izloženosti vibracijama kako bi se odredile sigurnosne mjere prema dokumentu 2002/44/EC za zaštitu osoba koje redovito koriste električne alate potrebno je uzeti u obzir procjenu izloženosti vibracijama, stvarne uvjete i način upotrebe alata, uključujući i sve dijelove radnog ciklusa, kao što je vrijeme od isključivanja alata do potpunog zaustavljanja i vrijeme od uključivanja do postizanja pune radne brzine.

### Oznake na alatu

Na uređaju su uz datumsku oznaku navedeni sljedeći simboli upozorenja:



**Upozorenje!** Da biste smanjili rizik od ozljeda, pročitajte priručnik s uputama.



Tijekom upotrebe nastavka za udarno bušenje koristite zaštitu za sluh. Izlaganje buci može uzrokovati gubitak sluha.



Ne zurite u radnu svjetiljku

### Dodatne sigurnosne upute za baterije i punjače

#### Baterije

- ◆ Nikada i ni iz kojeg razloga ne pokušavajte otvarati.
- ◆ Bateriju ne izlažite vodi.
- ◆ Ne pohranjujte na mjestima na kojima bi temperatura mogla biti viša od 40 °C.
- ◆ Punjenje izvodite isključivo pri okolnim temperaturama između 10°C i 40°C.
- ◆ Punite isključivo punjačem koji je isporučen uz alat.
- ◆ Pri zbrinjavanju baterija pridržavajte se uputa u odjeljku "Zaštita okoliša".



Ne pokušavajte puniti oštećene baterije.

#### Punjači

- ◆ Upotrebljavajte BLACK+DECKER punjač samo za punjenje baterija preporučenih za alat.



Ostale baterije mogu prsnuti i uzrokovati tjelesne ozljede i materijalnu štetu.

- ◆ Ne pokušavajte puniti baterije koje za to nisu predviđene.
- ◆ Odmah zamijenite oštećene kabele.
- ◆ Punjač ne izlažite vodi.
- ◆ Ne otvarajte punjač.
- ◆ Punjač ne ispitujte drugim uređajima.



unjač je predviđen isključivo za upotrebu u zatvorenim prostorima.



Prije upotrebe pročitajte priručnik s uputama.

### Zaštita od električne struje



Ovaj punjač dvostruko je izoliran, stoga žica uzemljenja nije potrebna. Uvijek provjerite odgovara li napon električne mreže naponu navedenom na nazivnoj oznaci. Ne pokušavajte jedinicu punjača zamijeniti običnim utikačem električne mreže.

- ◆ Ako je kabel napajanja oštećen, mora ga zamijeniti proizvođač ili ovlašteni servis tvrtke BLACK+DECKER kako bi se izbjegle opasnosti.

### Značajke

Ovaj alat obuhvaća neke ili sve od sljedećih značajki.

1. Regulator brzine
2. Klizni preklopnik za rad naprijed/natrag
3. Prsten za prilagodavanje momenta
4. Samozatezna glava
5. Dvojni stupanj prijenosa
6. LED radno svjetlo
7. Baterija
8. Tipka za oslobađanje baterije

### Sastavljanje

### Upotreba

**Upozorenje!** Pustite alat da radi svojim tempom. Ne preopterećujte alat.

### Punjenje baterije (sl. A1, A2)

Akumulator je potrebno napuniti prije prve upotrebe i kad izgubi snagu na zadacima koji su dotad bili izvođeni s lakoćom. Baterija se može ugrijati tijekom punjenja. To je normalno i ne predstavlja problem.

**Upozorenje!** Ne puniti bateriju ako je okolna temperatura ispod 10°C ili iznad 40°C. Preporučena temperatura punjenja je oko 24°C.

**Napomena:** Punjač neće puniti bateriju ako je temperatura ćelije ispod približno 10°C ili iznad 40°C.

**Bateriju treba ostaviti u punjaču, koji će je automatski početi puniti čim se ćelije dovoljno zagriju ili ohlade.**

- ◆ Priključite punjač u bilo koju standardnu utičnicu od 230 V, 50 Hz.
- ◆ Umetnite bateriju (7) u punjač kao što je prikazano na sl. A1, A2.



Lampica (9a) treperi, što znači da se baterija puni.



Kada lampica (9a) svijetli ravnomjerno, punjenje je dovršeno. Baterija je potpuno napunjena i može se odmah koristiti ili

ostaviti u punjaču.

**Upozorenje!** Opasnost od požara. Pri uklanjanju baterije iz punjača pazite da punjač prvo iskopčate iz utičnice, a zatim uklonite bateriju iz alata.

### Dijagnostika punjača

Ovaj je punjač namijenjen detektiranju određenih problema koji se mogu pojaviti s baterijama ili izvornom napajanjem. Problemi se naznačuju različitim obrascima treperenja lampice.

### Loša baterija



Punjač može detektirati slabu ili oštećenu bateriju. Lampica treperi obrascem naznačenim na oznaci. Ako primijetite ovaj obrazac koji upućuje na lošu bateriju, nemojte nastaviti s punjenjem. Predajte bateriju na servis ili na reciklažno mjesto.

### Odgoda u slučaju vruće/hladne baterije



Kada punjač detektira da je baterija prevruća ili prehladna, automatski započinje s odgodom u slučaju vruće ili hladne baterije, odgađajući punjenje sve dok baterija ne postigne odgovarajuću temperaturu. Tada punjač automatski započinje s punjenjem. Ova značajka omogućuje produljenje vijeka trajanja baterije. Lampica treperi obrascem naznačenim na oznaci.

### Ostavljanje baterije u punjaču

Punjač i baterija mogu se neograničeno ostaviti priključeni dok svijetli LED lampica. Punjač će održavati bateriju svježom i potpuno napunjenom. Ovaj punjač ima automatski način rada za ugađanje koji ujednačava ili uravnotežuje pojedinačne ćelije u bateriji kako bi omogućio da ona radi pri punom kapacitetu. Baterije se trebaju ugodi svaki tjedan ili kada baterija više ne obavlja istu količinu posla. Da upotrijebite automatski način rada za ugađanje, postavite bateriju u punjač i ostavite je najmanje 8 sati.

## Važne napomene o punjenju

- ◆ Najdulji životni vijek i najbolja obilježja mogu se postići ako se baterija puni na temperaturi zraka 18°- 24 °C. MNE punite bateriju na temperaturi zraka manjoj od +4.5 °C ili većoj od +40 °C. To je važno i spriječiti će teško oštećenje baterije.
- ◆ Punjač i baterija mogu se zagrijati tijekom punjenja. To je normalno i ne predstavlja problem. Za brže hlađenje baterije nakon upotrebe izbjegavajte ostavljanje baterije i punjača u toplim okruženjima, kao što su metalne alatnice, neizolirane prikolice i sl.
- ◆ Ako se baterija ne puni pravilno:
  - ◆ Provjerite rad priključka tako da priključite u svjetiljku ili drugi uređaj.
  - ◆ Provjerite je li utičnica priključena na sklopku za svjetlo koja isključuje napajanje kada isključite svjetla.
  - ◆ Premjestite punjač i bateriju na mjesto na kojem je temperatura okolnog zraka otprilike 18 °- 24 °C. ◆ Ako se problemi s punjenjem nastave, predajte alat, bateriju i punjač na servis.
- ◆ Bateriju treba puniti kada snaga nije dovoljna za zadatke koji su do tada bili obavljani s lakoćom. U tom slučaju PREKINITE s upotrebom alata. Primijenite upute u opisu postupka punjenja. Možete puniti i bateriju koja je samo djelomično prazna bez ikakvih negativnih posljedica.
- ◆ Električno vodljivi strani predmeti kao što su između ostaloga strugotina, metalni komadići, čelična vuna, aluminijska folija ili bilo kakve naslage metalnih čestica moraju se držati daleko od otvora punjača. Punjač prije čišćenja isključite iz napajanja.
- ◆ Punjač ne uranjajte u vodu i druge tekućine te ga ne izlažite niskim temperaturama.

## Postavljanje i uklanjanje akumulatora (sl. B)

**Upozorenje!** Provjerite je li gumb za blokiranje (2) aktiviran kako biste spriječili aktivaciju prije uklanjanja ili postavljanja baterije.

Postavljanje baterije:

- ◆ Umetnite bateriju (7) u uređaj dok ne začujete "klik" (slika B).

## Uklanjanje baterije iz alata (sl. C)

- ◆ Pritisnite gumb za oslobađanje akumulatora (8) kao što je prikazano na sl. C i izvucite akumulator iz alata.

## Radne upute

### Prekidač okidača i gumb za promjenu smjera rada (sl. D)

- ◆ Bušilica se uključuje i isključuje povlačenjem i puštanjem prekidača okidača (1). Jačim pritiskom prekidača povećava se brzina svrdla.

- ◆ Tipka za rad naprijed/natrag (2) određuje smjer rada alata i služi kao tipka za blokiranje alata.
- ◆ Za odabir vrtnje "prema naprijed" otpustite prekidač okidača i pritisnite tipku za odabir smjera vrtnje naprijed/natrag ulijevo.
- ◆ Za odabir vrtnje unatrag pritisnite tipku za odabir smjera vrtnje naprijed/natrag u suprotnom smjeru.

**Napomena:** Središnji položaj kontrolnog gumba blokira alat u isključenom stanju. Pri promjeni smjera vrtnje obavezno pustite prekidač.

## Upravljanje momentom (sl. E)

Ovaj alat opremljen je prstenom za podešavanje zakretnog momenta (3) i momenta zatezanja vijaka. Veliki vijci i čvrsti radni materijali zahtijevaju veću postavku zakretnog momenta u odnosu na male vijke i meke materijale.

- ◆ Za bušenje drva, metala i plastike prsten postavite na oznaku.
- ◆ Za rad s vijcima, prsten postavite na željenu postavku. Ako ne znate koja postavka je odgovarajuća, napravite sljedeće:
  - ◆ Prsten postavite na najniži moment.
  - ◆ Zategnite prvi vijak.
  - ◆ Ako spojka počne preskakati prije postizanja željenog rezultata, povećajte postavku prstena i nastavite pritezati vijak. Ponavljajte postupak dok ne postignete odgovarajuću postavku. Tu postavku upotrijebite za ostale vijke.

## Samozatezna glava (sl. F)

**Upozorenje!** Provjerite je li gumb za blokiranje (2) aktiviran kako biste spriječili aktivaciju prije uklanjanja ili postavljanja pribora.

Umetanje nastavka za bušenje ili drugog pribora:

- ◆ Stražnju polovicu glave uhvatite jednom rukom, a drugom rukom zakrećite prednju polovicu (4) u smjeru suprotnom od kazaljki na satu kako se to vidi na kraju glave.
- ◆ Nastavak ili drugi pribor umetnite potpuno u glavu i čvrsto zategnite tako da jednom rukom pridržavate stražnju polovicu glave, a drugom rukom zakrećete prednju polovicu u smjeru kazaljki na satu kako se to vidi na kraju glave.

**Upozorenje!** Nastavke za bušenje ili bilo koji drugi pribor ne pokušavajte zatezati uključivanjem alata dok pridržavate prednji dio glave. Pri promjeni pribora na ovaj način može doći do oštećenja zatezne glave i ozljede.

## Dvojni stupanj prijenosa (slika G)

Dva prijenosna opsega bušilice/odvijača omogućuju promjenu stupnja prijenosa, čime se postiže veća svestranost. Da biste odabrali manju brzinu i veći moment (položaj 1), isključite alat i pričekajte da se zaustavi. Birač stupnja prijenosa (5) pomaknite dalje od zatezne glave. Da biste odabrali manju brzinu i veći moment (položaj 2), isključite alat i pričekajte da se zaustavi.

Birač stupnja prijenosa pomaknite prema zateznoj glavi.

**Napomena:** Stupanj prijenosa ne mijenjajte dok je alat pokrenut. Ako imate poteškoća tijekom promjene stupnja prijenosa, provjerite je li birač stupnja prijenosa u krajnjem prednjem ili u stražnjem položaju.

## Bušenje/rad s vijcima

- ◆ Pomoću kliznog preklonika za rad naprijed/natrag (2) odaberite smjer vrtnje.
- ◆ Za uključivanje alata pritisnite prekidač (1). Brzina alata ovisi o jačini pritiska na prekidač.
- ◆ Za isključivanje alata pustite prekidač.

## Savjeti za optimalnu upotrebu

### Bušenje

- ◆ Upotrebljavajte isključivo oštre nastavke za bušenje.
- ◆ Pravilno poduprite i učvrstite radni materijal (odjeljak Sigurnosne upute).
- ◆ Upotrijebite odgovarajuću sigurnosnu opremu kao što je navedeno u odlomku Sigurnosne upute.
- ◆ Pravilno poduprite i učvrstite radni materijal kao što je navedeno u odlomku Sigurnosne upute.
- ◆ Pustite da bušilica radi vrlo malom brzinom i lagano pritišćite dok ne napravite otvor dovoljan da nastavak bušilice ne izlazi iz njega.
- ◆ Pritisak uvijek primijenite u ravnoj liniji s nastavkom. Primijenite dovoljan pritisak kako bi nastavak mogao bušiti, ali ne pritišćite prejako kako ne biste zaustavili motor ili pomaknuli nastavak.
- ◆ Čvrsto držite bušilicu s dvije ruke da upravljate radnjom zakretanja.
- ◆ **NEMOJTE PRITISKATI PREKIDAČ ZAGLAVLJENE (ISKLJUČENE) BUŠILICE KAKO BISTE JE POKRENULI. MOŽE DOĆI DO OŠTEĆENJA BUŠILICE.**
- ◆ Smanjite mogućnost zaglavlivanja tako da kroz posljednji dio rupe bušite manjom brzinom i pritiskom.
- ◆ Motor ostavite pokrenutim tijekom izvlačenja nastavka iz probušene otvora. Na taj se način sprječava zaglavljivanje.
- ◆ Provjerite može li se bušilica uključiti i isključiti na prekidaču.

### Bušenje u drvu

Otvori u drvu mogu se izrađivati pomoću spiralnih svrdla za metal ili pomoću plosnatih svrdla. Ti nastavci trebaju biti oštri i moraju se često izvlačiti radi uklanjanja strugotina.

### Bušenje metala

Pri bušenju metala upotrijebite tekućinu za bušenje. Iznimke su lijevano željezo i mjed, koji se moraju bušiti na suho. Kao režno mazivo najbolje je upotrijebiti sumporizirano režno ulje ili životinjsku mast.

## Bušenje zidova

Za bušenje u zidu prsten (3) postavite u položaj za bušenje čekićem tako da poravnate simbol iii s oznakom. Gurnite birač brzine (5) prema prednjem dijelu alata (2. brzina).

## Rad s vijcima

- ◆ Uvijek koristite nastavak odvijača pravilne vrste i veličine.
- ◆ Ako je uvijanje vijaka otežano, pokušajte s nanošenjem manje količine tekućine za pranje ili sapuna kao sredstva za podmazivanje navoja.
- ◆ Alat i nastavak odvijača uvijek koristite u ravnoj liniji s vijkom

## Otklanjanje poteškoća

Problem	Mogući uzrok	Moguće rješenje
Alat se ne pokreće.	Baterija nije napunjena.	Provjerite zahtjeve za punjenje baterije.
Baterija se ne puni.	Punjač nije priključen.  Temperatura okolnog zraka je previsoka ili preniska.	Priključite punjač u ispravnu utičnicu.  Premjestite punjač i akumulator na mjesto na kojem je temperatura viša od 4,5 °C ili niža od +40,5 °C.
Uređaj se iznenada isključuje.	Baterija je dostigla svoja temperaturna ograničenja.  Nema energije. (Za maksimalni vijek trajanja baterija se isključuje kada se isprazni.)	Pričekajte da se ohladi.  Priključite na punjač i pričekajte da se napuni.

## Održavanje

Ovaj BLACK+DECKER alat projektiran je za dugotrajnu upotrebu uz minimalno održavanje. Neprekidna i zadovoljavajuća upotreba ovisi o pravilnom održavanju i redovitom čišćenju. Ovaj punjač ne zahtijeva nikakvo održavanje osim redovitog čišćenja.

**Upozorenje!** Prije održavanja i popravaka izvadite bateriju iz alata. Punjač prije čišćenja iskopčajte iz napajanja.

- ◆ Utore za prozračivanje na alatu i punjaču redovito čistite mekim kistom, četkom ili suhom krpom.
- ◆ Kućište motora redovito čistite vlažnom krpom. Ne upotrebljavajte abrazivna ili sredstva za čišćenje na bazi otapala.
- ◆ Redovito otvarajte zateznu glavu i lagano udarajte po njoj kako biste iz unutrašnjosti uklonili prašinu.

## Zaštita okoliša



Odlazite sa zasebnim otpadom. Proizvodi i baterije označeni ovim simbolom ne smiju se odlagati s komunalnim otpadom.

Proizvodi i baterije sadrže materijale koji se mogu reciklirati radi smanjenja potrošnje sirovina i očuvanja prirodnih

resursa. Električne proizvode i baterije reciklirajte sukladno lokalnim propisima. Više informacija dostupno je na adresi [www.2helpU.com](http://www.2helpU.com)

## Tehnički podaci

BDASB18		
Napon	$V_{DC}$	18
Brzina bez opterećenja	$\text{Min}^{-1}$	0 - 360/0 - 1400
Najveći moment	Nm	45
Kapacitet glave	mm	1-10
Najveći kapacitet bušenja		
Čelik/drvo/zid	mm	10/25/10
Masa	kg	0,9 (s baterijom 1,3)

Punjač		90589867	90590287-06	90634971
Ulazni napon	$V_{AC}$	230	230	230
Izlazni napon	$V_{DC}$	18	18	18
Struja	mA	200	400	1 A
Približno vrijeme punjenja	Sati	8	3 - 5	1,5

Baterija			BL1518
Napon	$V_{AC}$		18
Kapacitet	Ah		1.5
Tip			Li-Ion

Razina zvučnog tlaka prema EN 62841:
Zvučni tlak ( $L_{pA}$ ) 87.5 dB(A), nesigurnost (K) 5 dB(A)
Zvučna snaga ( $L_{WA}$ ) 98.5 dB(A), nesigurnost (K) 5 dB(A)

Ukupne vibracije (troosni vektorski zbroj) prema EN 62841:
Bušenje u betonu ( $a_{n,d}$ ) 14.2 $\text{m/s}^2$ , nesigurnost (K) 1.5 $\text{m/s}^2$
Bušenje metala ( $a_{n,d}$ ) 1.1 $\text{m/s}^2$ , nesigurnost (K) 1.5 $\text{m/s}^2$

## EU izjava o usklađenosti

DIREKTIVA O STROJEVIMA



BDASB18 - udarna bušilica

Black & Decker izjavljuje da su proizvodi opisani u odjeljku Tehnički podaci u skladu sa sljedećim propisima: 2006/42/EC, EN62841-1:2015 EN62841-2-1:2018+A11:2019.

Ovi proizvodi također su usklađeni s direktivama 2014/30/EU i 2011/65/EU. Za dodatne informacije kontaktirajte s tvrtkom Black & Decker putem sljedeće adrese ili pogledajte prilog pri kraju priručnika.

Dolje potpisani odgovoran je za sastavljanje tehničke dokumentacije i ovu izjavu iznosi u ime tvrtke Black & Decker.

Ed Higgins

Director – Consumer Power Tools  
Black & Decker Europe, 270 Bath Road, Slough,  
Berkshire, SL1 4DX  
United Kingdom  
29/11/2019

## Jamstvo

Black & Decker siguran je u kvalitetu svojih proizvoda i svojim kupcima pruža 24-mjesečno jamstvo od datuma kupnje. Ovo jamstvo dodatak je vašim zakonskim pravima i ni na koji ih način ne narušava. Ovo jamstvo valjano je na području država članica Europske unije i Europske zone slobodnog trgovanja.

Da biste potraživali jamstvo, ono mora biti sukladno uvjetima i odredbama tvrtke Black & Decker, a prodavaču ili ovlaštenom servisu potrebno je priložiti dokaz o kupnji.

Uvjeti i odredbe dvogodišnjeg jamstva tvrtke Black & Decker te lokaciju najbližeg ovlaštenog servisa pronaći ćete na internetu na adresi [www.2helpU.com](http://www.2helpU.com) ili putem lokalnog ureda tvrtke Black & Decker na adresi navedenoj u ovom priručniku.

Posjetite našu web-lokaciju [www.blackanddecker.co.uk](http://www.blackanddecker.co.uk) kako biste registrirali svoj novi Black & Decker proizvod i provjerili nove proizvode i posebne ponude.

## JAMSTVENA IZJAVA

- ◆ Jamčimo da navedeni proizvod koji smo isporučili nema nedostataka ili grešaka u konstrukciji ili tvorničkoj montaži.
- ◆ Jamstveni rok je 24 mjeseci od dana kupnje. Jamčimo da će navedeni proizvod koji smo isporučili u jamstvenom roku ispravno funkcionirati kod normalne upotrebe ukoliko će se korisnik pridržavati priloženih uputa o uporabi.
- ◆ Jamčimo da je za isporučeni proizvod osigurano servisno održavanje i potrebni rezervni dijelovi u toku 7 godina od datuma kupnje.
- ◆ Obvezujemo se na zahtjev imatelja jamstvenog lista podnesenog u jamstvenom roku, o svom trošku osigurati otklanjanje kvarova i nedostataka proizvoda koji proizlaze iz nepodudarnosti stvarnih sa propisanim, odnosno deklariranim karakteristikama kvalitete proizvoda. Popravak se obvezujemo izvršiti u roku od 45 dana od dana prijave kvara. Ako proizvod ne popravimo u tom roku obvezujemo se zamijeniti ga novim ili vratiti uplaćenu svotu.
- ◆ Jamstvo vrijedi uz predočenje originalnog računa prodavača te pravilno ispunjenog jamstvenog lista ovjerenog pečatom prodavača.
- ◆ Troškove prijevoza odnosno prijenosa proizvoda koji nastaju pri popravku odnosno njegovoj zamjeni u garantnom roku snosi nositelj jamstva. Bez obzira na način dostave ovlaštenom servisu, kupac je obavezan podignuti proizvod po izvršenom servisnom popravku i isto potvrditi svojim potpisom.
- ◆ Nepravilnosti koje su nastale nestručnim rukovanjem, rukovanjem suprotnim navedenim u uputama ili mehaničkim oštećenjem isključene su iz jamstva.
- ◆ Proizvod ne smije biti prethodno otvaran ili popravljan od strane neovlaštenih osoba.
- ◆ Ako popravak traje duže od 14 dana, jamstveni rok se produžuje za trajanje servisa.

## RADOVI I DIJELOVI OBUHVAĆENI JAMSTVOM

- ◆ Kvarovi nastali greškom prilikom tvorničkog sklapanja i pakiranja
- ◆ Puknuća lomovi dijelova strojeva i alata prouzročeni nekvalitetnim materijalom tj. tvorničkom greškom
- ◆ Indirektni kvarovi uzrokovani točkom 2
- ◆ Kvarovi nastali odmah po puštanju stroja/ uređaja u rad

## RADOVI I DIJELOVI KOJI NISU PREDMET JAMSTVA

1. Oštećena i kvarovi nastali:
  - ◆ Prilikom nepravilnog sastavljanja uređaja od strane kupca
  - ◆ Nepravilnim rukovanjem i nenamjenskim korištenjem
  - ◆ Korištenjem neadekvatnih goriva, maziva, napona, opterećenja
  - ◆ Servisiranjem ili rastavljanjem uređaja od strane neovlaštenih osoba
2. Dijelovi koji spadaju u potrošni materijal:
  - ◆ Kvarovi nastali nedovoljnim održavanjem ili servisiranjem
  - ◆ Kvarovi nastali radi preopterećivanja ili pregrijavanja uređaja ili njihovih sastavnih dijelova

TIP PROIZVODA:

Prodajno mjesto:

Pečat:

Datim prodaje:

Potpis:

**Ovlašteni Serviseri:****ALATI MAŠIĆ**

Županijska 38, 31000 OSIJEK

T: 00 385 (0) 31 200 888

M: 00 385 (0) 98 506 174

**ALATI MILIĆ D.O.O.**

Mirka Viriusa 2, 10090 ZAGREB

T: 00 385 (0)1 3734 791

T: 00 385 (0)9 137 33 000

F: 00 385 (0)1 3906 790

info@alatimilic.hr

<http://www.alatimilic.hr/>**ELEKTROMECHANIKA TERLEVIĆ d.o.o.**

Ročka 39, 52440 POREČ

T: 00 385 (0) 52 438 297

F: 00 385 (0) 52 438 297

elektroterlevic@inet.hr

<http://elektromehanika-terlevic.hr/index.html>**GEMMA SERVIS**

Andrije peruča 38, 51000 Rijeka

T: +38551217118

M: 098211784

F: +38551217118

gemma-servis@ri.t-com.hr

<http://gemmaservis.fullbusiness.com>**GROM d.o.o**

Hrvatskih vladara 33, 22 243 MURTER

T: 00 385 95 909 6164

gromelectro@gmail.com

**MEĐIMURKA BS SERVIS**

Kalnička 6, 40000 ČAKOVEC

T: 00 385 (0) 40 384 660

M: 00 385 (0) 40 500 634

servis@medjimurka-bs.hr

<http://profi-al.hr/zagreb-hrvatska/>**PAVLOV ALATI**

Cesta Dr. F. Tuđmana 273, 21213 KAŠTEL

GOMILICA

T: 00 385 (0) 21 220 022

M: 00 385 (0) 21 221 122

F: 00 385 (0) 21 220 022

servis-pavlov@st.t-com.hr

**PROFI – AL OBRT**

Mikulinci 4a, 10010 ZAGREB

T: 00 385 (0)1 66 22 820

T: 00 385 (0)98 718 108

F: 00 385 (0) 1 66 22 823

info@profi-al.hr

<http://profi-al.hr/zagreb-hrvatska/>**TITAN d.o.o.**

Bogoslava Šuleka 19, 47000 KARLOVAC

T: 00 385 (0) 47 63 63 11

F: 00 385 (0) 47 63 63 10

info@titan.com.hr

<http://www.titan.com.hr/>**VERMA d.o.o.**

Pere Devčića 23, 10290 ZAPREŠIĆ

T: +385 1 3357 496

servis@verma.hr / verma@verma.hr

[www.verma.hr](http://www.verma.hr)



## Uso previsto

Il trapano/avvitatore a percussione BDASB18V BLACK+DECKER è stato progettato per avvitare e per eseguire fori in legno, metallo e plastica. Questo elettrooutensile è destinato esclusivamente all'uso privato.

## Istruzioni di sicurezza

### Avvertenze di sicurezza generali per gli elettrooutensili



**ATTENZIONE** Leggere tutte le avvertenze, istruzioni, illustrazioni e specifiche di sicurezza fornite con questo elettrooutensile.

La mancata osservanza delle avvertenze e istruzioni elencate di seguito potrebbe dar luogo a scosse elettriche, incendi e/o lesioni gravi alle persone.

Conservare tutte le avvertenze e le istruzioni per consultazioni successive. Il termine "elettrooutensile" che ricorre in tutte le avvertenze seguenti si riferisce a utensili elettrici alimentati attraverso la rete elettrica (con cavo) o a batteria (senza cavo).

#### 1. Sicurezza nell'area di lavoro

- Mantenere pulita e bene illuminata l'area di lavoro.** Il disordine o la scarsa illuminazione possono essere causa d'incidenti.
- Evitare di usare gli elettrooutensili in ambienti esposti a rischio di esplosione, ad esempio in presenza di liquidi, gas o polveri infiammabili.** Gli elettrooutensili generano scintille che possono incendiare le polveri o i fumi.
- Tenere lontani bambini e altre persone presenti mentre si usa un elettrooutensile.** Eventuali distrazioni possono provocare la perdita di controllo dello stesso.

#### 2. Sicurezza elettrica

- Le spine elettriche degli elettrooutensili devono essere adatte alla presa. Non modificare la spina in alcun modo. Non utilizzare spine con adattatore con gli elettrooutensili dotati di messa a terra.** Per ridurre il rischio di scossa elettrica evitare di modificare le spine e utilizzare sempre le prese appropriate.
- Evitare il contatto fisico con superfici collegate a terra, quali tubi, radiatori, forni e frigoriferi.** Se il proprio corpo è collegato a terra, il rischio di scossa elettrica aumenta.
- Non esporre gli elettrooutensili alla pioggia o all'umidità.** Se penetra dell'acqua all'interno dell'elettrooutensile, il rischio di scosse elettriche aumenta.
- Non utilizzare il cavo di alimentazione in modo improprio. Non spostare, tirare o scollegare mai l'elettrooutensile dalla presa tirandolo dal cavo.**

**Tenere il cavo di alimentazione lontano da fonti di calore, olio, bordi taglienti o parti in movimento.** Se il cavo è danneggiato o impigliato, il rischio di scossa elettrica aumenta.

- Se l'elettrooutensile viene utilizzato all'aperto, usare esclusivamente prolunghie omologate per l'impiego all'esterno.** L'uso di un cavo di alimentazione adatto per esterni riduce il rischio di scossa elettrica.
  - Se non è possibile evitare di lavorare in una zona umida, usare una rete elettrica protetta da un interruttore differenziale (RCD).** L'uso di un interruttore differenziale riduce il rischio di scossa elettrica.
- ### 3. Sicurezza delle persone
- È importante concentrarsi su ciò che si sta facendo e maneggiare con giudizio l'elettrooutensile. Non utilizzare un elettrooutensile quando si è stanchi o sotto l'effetto di droghe, alcool o medicinali.** Un solo attimo di distrazione durante l'uso dell'elettrooutensile potrebbe provocare gravi lesioni personali.
  - Usare dispositivi di protezione individuale. Indossare sempre dispositivi di sicurezza per gli occhi.** L'uso di dispositivi di protezione, quali mascherine antipolvere, scarpe antinfortunistiche antiscivolo, elmetti o protezioni auricolari in condizioni opportune consente di ridurre le lesioni alle persone.
  - Impedire l'avviamento involontario. Accertarsi che l'interruttore di accensione sia nella posizione di spegnimento, prima di collegare l'elettrooutensile alla rete elettrica e/o alla batteria, di prenderlo in mano o di trasportarlo.** Per non esporsi al rischio di incidenti, non trasportare l'elettrooutensile tenendo le dita sull'interruttore e non collegarlo a una fonte di alimentazione elettrica con l'interruttore acceso.
  - Prima di accendere un elettrooutensile, rimuovere gli utensili o chiavi di regolazione eventualmente presenti.** Un utensile di regolazione o una chiave inserito/a su una parte rotante dell'elettrooutensile può provocare lesioni a persone.
  - Non sbilanciarsi. Mantenere sempre un appoggio e un equilibrio adeguati.** In tal modo è possibile mantenere un migliore controllo dell'elettrooutensile nelle situazioni impreviste.
  - Vestirsi adeguatamente. Non indossare abiti lenti o gioielli. Tenere i capelli, i vestiti e i guanti lontano dalle parti mobili.** Abiti larghi, gioielli o capelli lunghi possono impigliarsi nelle parti in movimento.
  - Se gli elettrooutensili sono provvisti di attacchi per il collegamento di dispositivi di aspirazione o di raccolta delle polveri, assicurarsi che questi siano installati e utilizzati correttamente.** L'impiego di dispositivi per la raccolta delle polveri può ridurre i pericoli legati a queste ultime.

- h. **Non lasciare che la familiarità acquisita con l'uso frequente degli strumenti ti consenta di diventare compiacente e di ignorare i principi di sicurezza degli strumenti.** Un'azione trascurata può causare gravi lesioni in una frazione di secondo.
4. **Uso e cura dell'elettrostrumento**
- a. **Non sovraccaricare l'elettrostrumento. Utilizzare l'elettrostrumento adatto per il lavoro da eseguire.**  
L'elettrostrumento corretto funziona meglio e in modo più sicuro, se utilizzato alla velocità per cui è stato progettato.
- b. **Non utilizzare l'elettrostrumento se l'interruttore di accensione/spengimento è difettoso.** Qualsiasi elettrostrumento che non possa essere controllato tramite l'interruttore è pericoloso e deve essere riparato.
- c. **Scollegare la spina dalla presa di corrente e/o la batteria dall'elettrostrumento prima di regolarlo, sostituirne gli accessori o riporlo in magazzino.**  
Queste misure di sicurezza preventive riducono il rischio di azionare accidentalmente l'elettrostrumento.
- d. **Quando non vengono usati, gli elettrostrumenti devono essere custoditi fuori dalla portata dei bambini. Non consentire l'uso dell'elettrostrumento a persone inesperte o che non abbiano letto le presenti istruzioni d'uso.** Gli elettrostrumenti sono pericolosi in mano a persone inesperte.
- e. **Sottoporre gli elettrostrumenti a regolare manutenzione. Verificare che le parti mobili siano correttamente allineate e non inceppate, che non vi siano componenti rotti e che non sussistano altre condizioni che possono compromettere il funzionamento dell'elettrostrumento. Se l'elettrostrumento è danneggiato, farlo riparare prima dell'uso.** Molti incidenti sono provocati da elettrostrumenti non sottoposti a corretta manutenzione.
- f. **Mantenere affilati e puliti gli utensili da taglio.** La manutenzione corretta degli utensili da taglio con bordi affilati riduce le probabilità di inceppamento e ne facilita il controllo.
- g. **Utilizzare l'elettrostrumento, gli accessori, le punte, ecc. in conformità alle presenti istruzioni, tenendo conto delle condizioni operative e del lavoro da eseguire.**  
L'utilizzo dell'elettrostrumento per impieghi diversi da quelli previsti può dare luogo a situazioni di pericolo.
- h. **Mantenere le maniglie e le superfici di presa asciutte, pulite e prive di olio e grasso.** Le impugnature scivolose e le superfici di presa non consentono la manipolazione e il controllo sicuri dell'utensile in situazioni impreviste.
5. **Uso e cura degli elettrostrumenti a batteria**
- a. **Ricaricare la batteria utilizzando esclusivamente il caricabatterie l'alimentatore specificato dal fabbricante.**

Un caricabatterie adatto per un solo tipo di batteria può comportare il rischio d'incendio se usato con una batteria diversa.

- b. **Usare gli elettrostrumenti esclusivamente con le batterie specificamente concepite per gli stessi.** L'impiego di batterie di tipo diverso potrebbe provocare il rischio di lesioni a persone e incendi.
- c. **Quando la batteria non è in uso, tenerla lontana da altri oggetti metallici, come graffette, monete, chiavi, chiodi, viti o altri oggetti metallici di piccole dimensioni, che potrebbero cortocircuitare un morsetto con l'altro.** Se i morsetti della batteria vengono cortocircuitati potrebbero provocare ustioni o un incendio.
- d. **In condizioni di sovraccarico, dalla batteria potrebbe fuoriuscire del liquido: evitare di toccarlo. In caso di contatto accidentale, risciacquare la pelle con acqua. Se il liquido entra a contatto con gli occhi rivolgersi anche a un medico.** Il liquido che fuoriesce dalla batteria può causare irritazione o ustioni.
- e. **Non utilizzare un pacco batteria o uno strumento danneggiato o modificato.** Le batterie danneggiate o modificate possono presentare comportamenti imprevedibili con conseguente incendio, esplosione o rischio di lesioni.
- f. **Non esporre un pacco batteria o uno strumento a fuoco o temperatura eccessiva.** L'esposizione al fuoco o a temperature superiori a 130 ° C può provocare esplosioni.

NOTA La temperatura "130 ° C" può essere sostituita dalla temperatura "265 ° F".

- g. **Seguire tutte le istruzioni di ricarica e non caricare il pacco batteria o lo strumento al di fuori dell'intervallo di temperatura specificato nelle istruzioni.** La carica impropria o a temperature al di fuori dell'intervallo specificato può danneggiare la batteria e aumentare il rischio di incendio.

## 6. Manutenzione

- a. **Fare riparare l'elettrostrumento esclusivamente da personale specializzato e solo utilizzando pezzi di ricambio originali.** In questo modo sarà possibile mantenere la sicurezza dell'elettrostrumento.
- b. **Non riparare mai pacchi batteria danneggiati.** La manutenzione dei pacchi batteria deve essere eseguita solo dal produttore o dai fornitori di servizi autorizzati.

## Ulteriori avvertenze di sicurezza valide per gli elettrostrumenti



**Avvertenza!** Ulteriori avvisi di sicurezza per i trapani

- ◆ **Indossare protezioni per le orecchie durante la perforazione a percussione.** L'esposizione al rumore può causare la perdita dell'udito.
- ◆ **Usare le impugnature ausiliarie fornite con l'elettrotensile.** La perdita del controllo può causare lesioni a persone.
- ◆ **Preparare correttamente lo strumento prima dell'uso.** Questo strumento produce una coppia di uscita elevata e senza rinforzare correttamente lo strumento durante il funzionamento, si può verificare una perdita di controllo con conseguenti lesioni personali.
- ◆ **Sostenere l'elettrotensile con supporti dotati di superfici isolanti quando si eseguono lavorazioni in cui l'accessorio di taglio potrebbe toccare cavi elettrici nascosti.** Gli accessori da taglio che vengono a contatto con un cavo sotto tensione trasmettono la corrente elettrica anche alle parti metalliche esposte dell'elettrotensile e possono provocare la folgorazione dell'operatore.
- ◆ **Sostenere l'elettrotensile con supporti dotati di superfici isolanti quando si eseguono lavori in cui la parte tagliente potrebbe toccare cavi elettrici nascosti o il cavo di alimentazione dell'elettrotensile.** I dispositivi di fissaggio che vengono a contatto con un cavo sotto tensione trasmettono la corrente elettrica anche alle parti metalliche esposte dell'elettrotensile e possono provocare la folgorazione dell'operatore.

### Istruzioni di sicurezza quando si usano punte lunghe

- ◆ **Non operare mai a una velocità superiore a quella massima della punta del trapano.** A velocità più elevate, è probabile che la punta si pieghi se lasciata ruotare liberamente senza toccare il pezzo, causando lesioni personali.
- ◆ **Iniziare sempre la foratura a bassa velocità e con la punta della punta a contatto con il pezzo.** A velocità più elevate, è probabile che la punta si pieghi se lasciata ruotare liberamente senza toccare il pezzo, causando lesioni personali.
- ◆ **Applicare la pressione solo in linea diretta con la punta e non applicare una pressione eccessiva.** I bit possono piegarsi causando la rottura o la perdita di controllo, con conseguenti lesioni personali.
- ◆ **Usare morse o altri metodi pratici per fissare e sostenere il pezzo in lavorazione su una piattaforma stabile.** Tenere il pezzo in lavorazione con le mani o contro il corpo non ne assicura la stabilità e potrebbe comportare la perdita di controllo.
- ◆ Prima di forare pareti, pavimenti o soffitti, controllare l'ubicazione di cavi e tubi.

- ◆ Evitare di toccare l'estremità appuntita di una punta del trapano subito dopo l'uso, perché potrebbe essere molto calda.
- ◆ L'uso previsto è indicato in questo manuale. L'impiego dell'elettrotensile con accessori o per scopi diversi da quelli raccomandati in questo manuale, potrebbe causare lesioni alle persone e/o danni alle cose.

### Sicurezza altrui

- ◆ Questo elettrotensile non è destinato all'uso da parte di persone (compresi i bambini) con capacità fisiche, sensoriali o mentali ridotte, o prive di esperienza e conoscenze, a meno che non siano sottoposte a sorveglianza o ricevano istruzioni riguardo all'uso dell'elettrotensile da parte di una persona responsabile della loro sicurezza.
- ◆ I bambini devono essere sorvegliati per assicurarsi che non giochino con l'elettrotensile.

### Rischi residui

L'utilizzo dell'apparecchio può comportare rischi residui non necessariamente riportati nelle presenti avvertenze di sicurezza. Tali rischi possono verificarsi a seguito di un uso prolungato o improprio, ecc. Malgrado il rispetto delle norme di sicurezza pertinenti e l'implementazione di dispositivi di sicurezza, alcuni rischi residui non possono essere evitati. Tali rischi residui includono:

- ◆ lesioni alle persone causate a seguito del contatto con parti rotanti/in movimento;
- ◆ lesioni alle persone causate durante la sostituzione di parti, lame o accessori;
- ◆ lesioni alle persone causate dall'impiego prolungato di un elettrotensile (quando si utilizza qualsiasi apparecchio per lunghi periodi, accertarsi di fare regolarmente delle pause);
- ◆ menomazioni uditive;
- ◆ rischi per la salute causati dall'inalazione di polveri generate durante l'uso dell'elettrotensile (ad esempio quando si lavora con il legno, in modo particolare quello di quercia, faggio o l'MDF)

### Vibrazioni

I valori dichiarati delle emissioni di vibrazioni al paragrafo "Dati tecnici" e nella Dichiarazione di conformità di questo manuale sono stati misurati in base al metodo di prova standard previsto dalla normativa EN 60745 e possono essere usati come parametri di confronto tra due elettrotensili. Il valore delle emissioni di vibrazioni dichiarato può anche essere usato come valutazione preliminare dell'esposizione.

**Avvertenza!** Il valore delle emissioni di vibrazioni durante l'impiego effettivo dell'elettrotensile può variare da quello dichiarato a seconda delle modalità d'uso. Il livello delle vibrazioni può aumentare oltre quello dichiarato.

Quando si valuta l'esposizione alle vibrazioni per determinare le misure di sicurezza richieste dalla normativa 2002/44/CE destinata alla protezione delle persone che utilizzano regolarmente elettrotensili per lo svolgimento delle proprie mansioni, è necessario prendere in considerazione le condizioni effettive di utilizzo e il modo in cui l'elettrotensile viene usato, oltre che tenere conto di tutte le componenti del ciclo operativo, vale a dire i periodi in cui l'elettrotensile rimane spento, quelli in cui è acceso ma fermo e quelli in cui viene effettivamente utilizzato.

## Etichette sull'elettrotensile

Sull'elettrotensile sono presenti i seguenti simboli assieme al codice data:



**Avvertenza!** Per ridurre il rischio di lesioni alle persone l'utilizzatore deve leggere il manuale di istruzioni.



Indossare protezioni acustiche quanto si effettuano lavori con trapani/avvitatori a percussione. L'esposizione al rumore può condurre alla perdita dell'udito.



Non fissare la lampada operatoria

## Istruzioni di sicurezza aggiuntive riguardanti batterie e caricabatterie

### Batterie

- ◆ Non tentare mai di aprire la batteria per alcun motivo.
- ◆ Non lasciare che la batteria si bagni.
- ◆ Non conservare la batteria in luoghi dove la temperatura potrebbe superare 40 °C.
- ◆ Caricare la batteria solo in ambienti con temperature comprese tra 10°C e 40°C.
- ◆ Caricare la batteria utilizzando esclusivamente il caricabatterie fornito con l'elettrotensile.
- ◆ Per lo smaltimento delle batterie, seguire le istruzioni fornite al capitolo "Protezione dell'ambiente".



Non tentare di caricare batterie danneggiate.

### Caricabatterie

- ◆ Usare il caricabatterie BLACK+DECKER solo per ricaricare la batteria fornita in dotazione con l'elettrotensile. Batterie diverse potrebbero scoppiare, causando lesioni a persone e danni alle cose.



Il caricabatterie è destinato esclusivamente all'uso in ambienti interni.



Leggere questo manuale d'istruzioni prima dell'uso.

## Sicurezza elettrica



Il doppio isolamento di cui è provvisto il caricabatterie rende superfluo il filo di terra. Controllare sempre che la tensione di rete corrisponda a quella indicata sulla targhetta dei dati tecnici. Non tentare mai di sostituire il caricabatterie con una normale spina elettrica.

- ◆ In caso di danneggiamento del cavo di alimentazione, è necessario farlo riparare dal fabbricante o presso un centro assistenza BLACK+DECKER autorizzato in modo da evitare pericoli.

## Caratteristiche

Questo elettrotensile presenta alcune o tutte le seguenti caratteristiche.

1. Interruttore (grilletto) di azionamento a velocità variabile
2. cursore di controllo rotazione avanti/indietro
3. Collare per regolazione coppia di serraggio
4. Mandrino portapunta senza chiave
5. Selettore a due velocità
6. Luce di lavoro a LED
7. Batteria
8. Pulsante di rilascio batteria

## Assemblaggio

### Uso

**Avvertenza!** Lasciare che l'elettrotensile funzioni al proprio ritmo. Non sovraccaricarlo.

### Carica della batteria (Figg. A1 e A2)

La batteria deve essere caricata prima dell'impiego iniziale e quando non eroga una potenza sufficiente per svolgere lavori che prima era possibile eseguire facilmente. Durante la carica, la batteria potrebbe riscaldarsi. Si tratta di un fatto normale che non indica la presenza di un problema.

**Avvertenza!** Non caricare la batteria a temperature ambientali inferiori a 10 °C o superiori a 40 °C. La temperatura di carica raccomandata è di circa 24 °C.

**Nota:** il caricabatterie non carica una batteria se la temperatura delle celle è inferiore a 10 °C o superiore a 40 °C.

**La batteria deve essere lasciata nel caricabatterie, che comincerà a caricare automaticamente quando la temperatura delle celle aumenta o diminuisce.**

- ◆ Collegare il caricabatterie (9) a una presa elettrica standard da 230 V, 50 Hz.
- ◆ Inserire la batteria (7) nel caricabatterie, come illustrato nelle Figure A1 e A2.



Il LED (9a) lampeggia mentre la carica della batteria è in corso.



Il completamento della carica è indicato dal LED (9a) che rimane acceso fisso. La batteria a quel punto è completamente carica

e può essere utilizzata subito o lasciata nel caricabatterie.

**Avvertenza!** Pericolo d'incendio. Quando si scollega il caricabatterie dalla batteria accertarsi prima di scollegarlo dalla presa di corrente, quindi rimuovere la batteria dal caricabatterie.

### Diagnostica del caricabatterie

Questo caricabatterie è concepito per rilevare determinati problemi che potrebbero verificarsi con le batterie o con la fonte di alimentazione. I problemi sono indicati da un LED che lampeggia secondo schemi differenti.

### Batteria guasta



Il caricabatterie rileva se una batteria è scarica o danneggiata. Il LED lampeggia secondo lo schema indicato sull'etichetta. Se

compare il motivo di lampeggiamento che segnala un guasto alla batteria, non continuare a caricarla. Portarla presso un centro di assistenza o un sito di raccolta per il riciclaggio.

### Ritardo per batteria calda/fredda



Quando il caricabatterie rileva una batteria troppo calda o troppo fredda avvia automaticamente la funzione di ritardo per

batteria calda/fredda, sospendendo la carica finché la batteria non ha raggiunto la temperatura normale, dopodiché passa automaticamente alla modalità di carica della batteria. Questa funzione assicura la massima durata della batteria. Il LED lampeggia secondo lo schema indicato sull'etichetta.

### Pacco batteria lasciato nel caricabatterie

Il caricabatterie e la batteria possono essere lasciati collegati con il LED acceso per un tempo indefinito. Il caricabatterie mantiene la batteria fresca e completamente carica. Questo caricabatterie è dotato di una modalità di messa a punto automatica, che eguaglia o bilancia le singole celle della batteria, in modo che possa funzionare alla capacità di picco. I pacchi batteria devono essere messi a punto una volta a settimana oppure ogni volta che la batteria non fornisce più la stessa quantità di corrente. Per utilizzare la modalità di messa a punto automatica inserire il pacco nel caricabatterie e lasciarcele per almeno 8 ore.

### Note importanti riguardanti la carica

- ◆ È possibile ottenere la massima durata e le migliori prestazioni se la batteria è carica e la temperatura dell'aria è di 18 - 24 °C. NON caricare la batteria se la temperatura dell'aria è inferiore a +4,5 °C o superiore a +40 °C. Questa precauzione è importante per prevenire gravi danni alla batteria.
- ◆ Il caricabatterie e la batteria possono diventare caldi al tatto durante la carica. Si tratta di un fatto normale che non indica la presenza di un problema. Per facilitare il raffreddamento della batteria dopo l'uso, evitare di posizionare il caricabatterie o la batteria in un ambiente caldo, come ad esempio all'interno di un capannone di metallo o di un rimorchio non isolato.
- ◆ Se la batteria non si carica correttamente:
  - ◆ controllare l'effettivo funzionamento della presa di corrente collegandovi una lampada;
  - ◆ verificare se la presa è collegata a un interruttore della luce e si spegne quando si spengono le luci;
  - ◆ spostare il caricabatterie e la batteria in un luogo in cui la temperatura dell'aria circostante sia di circa 18 °C - 24 °C;
  - ◆ se i problemi di carica persistono, portare l'elettrotensile, la batteria e il caricabatterie presso il centro di assistenza di zona.
- ◆ La batteria deve essere sostituita se non riesce a produrre energia a sufficienza per svolgere lavori che prima venivano eseguiti con facilità. NON CONTINUARE a usarlo in queste o dall'umidità. Seguire la procedura di carica. È anche possibile caricare una batteria parzialmente utilizzata ogni volta che si desidera, senza alcun effetto negativo sulla batteria stessa.
- ◆ Corpi estranei di natura conduttiva quali, a titolo esemplificativo, ma non esaustivo, polvere di levigatura, schegge metalliche, lana d'acciaio, fogli di alluminio o qualsiasi accumulo di particelle metalliche, devono essere tenuti lontano dalle cavità dell'alimentatore. Scollegare il caricabatterie dalla presa di corrente prima di iniziare a pulirlo.
- ◆ Non congelare né immergere il caricabatterie in acqua o altri liquidi.

### Inserimento e rimozione della batteria dall'elettrotensile (Fig. B)

**Avvertenza!** Verificare che il pulsante di blocco di sicurezza (2) sia attivato per evitare l'azionamento dell'interruttore mentre si inseriscono o estraggono gli accessori. Per installare la batteria:

- ◆ inserire la batteria (7) nell'elettrotensile finché non si avverte un clic (Fig. B).

## Rimuovere la batteria dall'elettrotensile (Fig. C)

- ◆ Premere il pulsante di rilascio della batteria (8) come illustrato nella Fig. C ed estrarre la batteria dall'elettrotensile.

## Istruzioni operative

### Grilletto di azionamento e cursore di controllo della rotazione all'indietro (Fig. D)

- ◆ Il trapano viene acceso e spento premendo e rilasciando il grilletto di azionamento (1). Maggiore è la pressione esercitata sul grilletto, maggiore è la velocità di rotazione della punta del trapano/avvitatore.
- ◆ Il cursore di controllo della rotazione avanti/indietro (2) determina la direzione di rotazione del cavo e funge anche da pulsante di blocco di sicurezza.
- ◆ Per selezionare la rotazione in avanti, rilasciare il grilletto di azionamento e spostare il cursore di controllo della rotazione avanti/indietro verso sinistra.
- ◆ Per selezionare la rotazione inversa, spostare il cursore di controllo della rotazione avanti/indietro nella direzione opposta.

**Nota:** quando il cursore si trova al centro blocca l'utensile nella posizione di spegnimento. Assicurarsi di avere rilasciato il grilletto di azionamento prima di cambiare la posizione del pulsante di controllo.

### Controllo della coppia di serraggio (Fig. E)

L'elettrotensile è dotato di un collare per la regolazione della coppia di serraggio (3) che consente di selezionare la modalità operativa e di impostare la coppia di serraggio delle viti.

Le viti di grandi dimensioni e i pezzi in lavorazione di materiale più duro richiedono una coppia di serraggio maggiore rispetto alle viti più piccole e ai pezzi di materiale più tenero.

- ◆ Per forare legno, metallo e plastica, regolare il collare sul simbolo del trapano.
- ◆ Per l'avvitatura, regolarlo sull'impostazione desiderata. Se non si sa ancora quale impostazione usare, procedere come descritto di seguito:
- ◆ regolare il collare sull'impostazione di coppia più bassa;
- ◆ stringere la prima vite;
- ◆ se la frizione scatta prima di aver ottenuto il risultato desiderato, aumentare il valore di impostazione del collare e continuare a stringere la vite; ripetere fino a ottenere l'impostazione corretta; usare questa impostazione per le viti rimanenti.

### Mandrino portapunta senza chiave (Fig. F)

**Avvertenza!** Verificare che il pulsante di blocco di sicurezza (2) sia attivato per evitare l'azionamento dell'interruttore mentre si inseriscono o estraggono gli accessori.

Per infilare una punta o altri accessori, procedere come descritto di seguito:

- ◆ afferrare la metà posteriore del mandrino portapunta (4) con una mano e usare l'altra per ruotare la metà anteriore in direzione antioraria, vista dall'estremità con il mandrino;
- ◆ infilare completamente la punta o un altro accessorio nel mandrino portapunta e serrare saldamente tenendo ferma la metà posteriore del mandrino e ruotando la parte anteriore in senso orario vista dall'estremità con il mandrino.

**Avvertenza!** Non tentare di serrare le punte (o qualsiasi altro accessorio) afferrando la parte anteriore del mandrino portapunta accendendo l'elettrotensile. Potrebbero verificarsi danni al mandrino e lesioni alle persone.

### Selettore due velocità (Figura G)

Il selettore a due velocità del trapano/avvitatore consente di cambiare marcia per una maggiore versatilità. Per selezionare l'impostazione a velocità bassa e coppia di serraggio elevata (posizione 1) spegnere l'elettrotensile e lasciarlo fermare. Fare scorrere il selettore a due velocità (5) nella direzione opposta al mandrino portapunta. Per selezionare l'impostazione a velocità alta e coppia di serraggio (posizione 2) spegnere l'elettrotensile e lasciarlo fermare.

Fare scorrere il selettore di velocità verso il mandrino portapunta.

**Nota:** non cambiare velocità mentre l'elettrotensile è in funzione. Se si hanno problemi a cambiare velocità assicurarsi che il selettore a due velocità sia spinto tutto avanti o tutto indietro.

### Foratura/Avvitatura

- ◆ Selezionare la rotazione avanti o indietro usando il cursore di controllo rotazione avanti/indietro (2).
- ◆ Per accendere l'elettrotensile, premere l'interruttore (1). La velocità dell'elettrotensile dipende dalla pressione esercitata sull'interruttore.
- ◆ Per spegnere l'elettrotensile, rilasciare l'interruttore.

## Consigli per un utilizzo ottimale

### Foratura

- ◆ Utilizzare solamente punte da trapano affilate.
- ◆ Supportare e fissare il lavoro correttamente, come indicato nelle Istruzioni di sicurezza.
- ◆ Utilizzare i dispositivi di protezione necessari e adeguati, come indicato nelle Istruzioni di sicurezza.
- ◆ Mettere in sicurezza e mantenere l'area di lavoro, come indicato nelle Istruzioni di sicurezza.



- ◆ Far funzionare il trapano molto lentamente, con una leggera pressione, fino a quando il foro è sufficientemente profondo da evitare la fuoriuscita della punta.
- ◆ Esercitare la pressione perpendicolarmente alla punta. Applicare una pressione sufficiente a permettere alla punta di eseguire il foro, ma non eccessiva per non far spegnere il motore o spostare la punta.
- ◆ Tenere saldamente il trapano con due mani per controllarne lo spostamento rotatorio.
- ◆ **NON PREMERE VARIE VOLTE IL GRILLETTO DI AZIONAMENTO DI UN TRAPANO/AVVITATORE CHE SI È BLOCCATO PER TENTARE DI RIAVVIARLO. IL TRAPANO POTREBBE ESSERE DANNEGGIATO.**
- ◆ Contenere al massimo la possibilità di arresto iniziale, riducendo la pressione e azionando il trapano a bassa velocità nell'ultima porzione del foro.
- ◆ Mantenere acceso il motore mentre si estrae la punta dal foro eseguito. In questo modo si riducono gli inceppamenti.
- ◆ Assicurarsi che l'interruttore di accensione/spengimento accenda e spenga il trapano.

### Esecuzione di fori nel legno

I fori nel legno possono essere eseguiti con la stessa punta usata per il metallo o con punte a lancia. Le punte devono essere affilate ed estratte frequentemente per eliminare i trucioli dalle scanalature del trapano.

### Esecuzione di fori nel metallo

Quando si forano metalli utilizzare un lubrificante da taglio. Fanno eccezione la ghisa e l'ottone, che vanno forati a secco. Gli oli da taglio che funzionano meglio di tutto sono l'olio solforato o l'olio di lardo.

### Esecuzione di fori nelle murature

Per eseguire fori nelle murature, regolare il collare (3) nella Posizione di foratura a percussione allineando il simbolo al segno.

Fare scorrere il selettore a due velocità (5) verso la parte anteriore dell'elettrotensile (velocità 2).

### Avvitatura/Svitatura

- ◆ Usare sempre la punta per avvitatura di tipo e misura corretti.
- ◆ Se le viti sono dure da avvitare, versare una piccola quantità di detersivo o sapone per lubrificarle.
- ◆ Tenere sempre l'elettrotensile e la punta di avvitatura in posizione perpendicolare rispetto alla vite

## Risoluzione dei problemi

Problema	Possibile causa	Possibile soluzione
L'unità non si avvia.	La batteria non è stata caricata.	Controllare i requisiti di carica della batteria
La batteria non si carica.	Il caricabatterie non è collegato a una presa di corrente. Temperatura dell'aria circostante troppo alta o troppo bassa.	Collegare il caricabatterie a una presa di corrente che funzioni. Spostare il caricabatterie e la batteria in un luogo con una temperatura dell'aria circostante superiore a 4,5 °C o inferiore a +40,5 °C.
L'unità si spegne improvvisamente.	La batteria ha raggiunto il limite termico massimo. Carica esaurita (per massimizzare la durata della batteria, essa è progettata per spegnersi improvvisamente quando è scarica).	Attendere che la batteria si raffreddi. Inserirla nel caricabatterie e attendere che si carichi.

## Manutenzione

Questo elettrotensile BLACK+DECKER è stato concepito per funzionare per un lungo periodo con un minimo di manutenzione. Prestazioni sempre soddisfacenti dipendono da una cura appropriata e da una pulizia regolare.

Il caricabatterie non richiede nessuna manutenzione, ad eccezione di una regolare pulizia.

**Avvertenza!** Prima di eseguire qualsiasi intervento di manutenzione sull'elettrotensile rimuovere la batteria. Scollegare il caricabatterie dalla spina prima di pulirlo.

- ◆ Pulire regolarmente le prese di ventilazione dell'elettrotensile e dell'alimentatore con un pennello o con un panno morbido e asciutto.
- ◆ Il vano del motore deve essere pulito regolarmente con un panno umido.  
Non usare materiali abrasivi o detersivi a base di solventi.
- ◆ Aprire regolarmente il mandrino portapunta e batterlo leggermente per eliminare la polvere dall'interno.

## Protezione dell'ambiente



Raccolta differenziata. I prodotti e le batterie contrassegnati con questo simbolo non devono essere smaltiti con i rifiuti domestici normali.

I prodotti e le batterie contengono materiali che possono essere recuperati o riciclati, riducendo la richiesta di materie prime.

Riciclare i prodotti elettrici e le batterie attenendosi alle disposizioni locali vigenti. Ulteriori informazioni sono disponibili all'indirizzo [www.2helpU.com](http://www.2helpU.com)

**Dati tecnici**

BDASB18		
Tensione	$V_{CC}$	18
Velocità a vuoto	$\text{Min}^{-1}$	0 - 360/0 - 1400
Coppia max.	Nm	45
Capacità mandrino portapunta	mm	1-10
Capacità di foratura max.		
Acciaio/legno/muratura	mm	10/25/10
Peso	kg	0,9 (con batteria 1,3)

Caricabatteria		90589867	90590287-06	90634971
Tensione in ingresso	$V_{AC}$	230	230	230
Tensione di uscita	$V_{CC}$	18	18	18
Corrente	mA	200	400	1A
Tempo di carica approssimativo	ore	8	3 - 5	1,5

Batteria			BL1518
Tensione	$V_{AC}$		18
Capacità	Ah		1,5
Tipo	Agli ioni di litio		

Livello di pressione sonora misurato in base a EN 62841:	
Pressione sonora ( $L_{pA}$ )	87.5 dB(A), incertezza (K) 5 dB(A)
Potenza sonora ( $L_{WA}$ )	98.5 dB(A), incertezza (K) 5 dB(A)

Valori di emissione totali di vibrazioni (somma vettoriale triassiale) in conformità alla norma EN 62841:	
Esecuzione di fori nel concrete ( $a_{h,10}$ )	14.2 $\text{m/s}^2$ , incertezza (K) 1.5 $\text{m/s}^2$
Esecuzione di fori nel metallo ( $a_{h,0}$ )	1.1 $\text{m/s}^2$ , incertezza (K) 1.5 $\text{m/s}^2$

**Dichiarazione di conformità CE**

DIRETTIVA MACCHINE



BDASB18 - Trapano/Avvitatore a percussione

Black & Decker dichiara che i prodotti descritti al paragrafo "Dati tecnici" sono conformi alle seguenti normative: 2006/42/EC, EN62841-1:2015 EN62841-2-1:2018+A11:2019.

Questi prodotti sono conformi alla Direttiva 2014/30/UE e 2011/65/UE. Per maggiori informazioni contattare Black & Decker al seguente indirizzo oppure consultare l'ultima di copertina del manuale.

Il firmatario è responsabile della compilazione del documento tecnico e rende questa dichiarazione per conto di Black & Decker.

Ed Higgins

Director – Consumer Power Tools  
Black & Decker Europe, 270 Bath Road, Slough,  
Berkshire, SL1 4DX  
Regno Unito  
29/11/2019

**Garanzia**

Black&Decker è certa della qualità dei propri prodotti e offre ai consumatori una garanzia di 24 mesi dalla data di acquisto. Il presente certificato di garanzia è complementare ai diritti legali e non li pregiudica in alcun modo. La garanzia è valida entro i territori degli Stati membri dell'Unione Europea e entro i confini dell'area europea di libero scambio.

Per attivare la garanzia, la richiesta di intervento e riparazione in garanzia deve essere effettuata in accordo con i Termini e condizioni Black&Decker e sarà necessario presentare la prova di acquisto al venditore o all'agente di riparazione autorizzato.

I Termini e condizioni della garanzia Black & Decker di 2 anni e la sede del tecnico riparatore autorizzato più vicino sono consultabili su Internet all'indirizzo [www.2helpU.com](http://www.2helpU.com), o contattando l'ufficio Black & Decker di zona all'indirizzo indicato in questo manuale.

Visitare il nostro sito [www.blackanddecker.it](http://www.blackanddecker.it) per registrare il prodotto Black & Decker appena acquistato e ricevere gli aggiornamenti su nuovi prodotti e offerte speciali.

## Bedoeld gebruik

De BLACK+DECKER BDASB18V - slagboormachine is ontworpen voor toepassingen als in- en uitdraaien van schroeven, het boren in hout, metaal en metselwerk. Dit gereedschap is uitsluitend bedoeld voor gebruik door consumenten.

## Veiligheidsinstructies

### Algemene veiligheidswaarschuwingen voor gebruik van elektrisch gereedschap



**WAARSCHUWING** Lees alle veiligheidswaarschuwingen, instructies, illustraties en specificaties die bij dit elektrische gereedschap worden geleverd.

Wanneer u geen gevolg geeft aan de waarschuwingen en instructies, die hieronder worden vermeld, kan dat leiden tot elektrische schok, brand en/of ernstig persoonlijk letsel.

**Bewaar alle waarschuwingen en instructies, zodat u ze later ook kunt raadplegen.** De term "elektrisch gereedschap" in alle waarschuwingen die hieronder worden vermeld, verwijst naar elektrisch gereedschap met netvoeding (met snoer) of elektrisch gereedschap (snoerloos) dat werkt op een accu.

#### 1. Veiligheid van de werkplek

- Houd uw werkomgeving schoon en goed verlicht.** Op rommelige of donkere plekken zullen sneller ongelukken gebeuren.
- Werk niet met elektrisch gereedschap in explosieve omgevingen, zoals in de aanwezigheid van brandbare vloeistoffen en gassen of brandbaar stof.** In elektrisch gereedschap kunnen vonken ontstaan die het stof of de dampen kunnen doen ontbranden.
- Houd kinderen en omstanders op afstand wanneer u met elektrisch gereedschap werkt.** Wanneer u wordt afgeleid, zou u de controle over het gereedschap kunnen verliezen.

#### 2. Elektrische veiligheid

- De stekker van het gereedschap moet geschikt zijn voor het stopcontact. Pas nooit de stekker op welke manier dan ook aan. Gebruik geen verloopstekkers bij geaard elektrisch gereedschap.** Originele stekkers en bijpassende stopcontacten verminderen het risico van een elektrische schok.
- Vermijd contact met geaarde oppervlakken, zoals leidingen, radiatoren, fornuizen en koelkasten.** Er is een groter risico van elektrische schok als uw lichaam contact heeft met aarde.

- Stel het elektrische gereedschap niet bloot aan regen of natte omstandigheden.**

Water dat het gereedschap binnendringt, verhoogt het risico van een elektrische schok.

- Behandel het snoer voorzichtig. Gebruik het snoer nooit om het gereedschap te dragen of te slepen of om de stekker uit het stopcontact te trekken. Houdt het snoer uit de buurt van warmtebronnen, olie, scherpe randen en bewegende onderdelen.** Beschadigde of verwarde snoeren verhogen het risico van een elektrische schok.
- Gebruik, wanneer u buiten met elektrisch gereedschap werkt, een verlengsnoer dat geschikt is voor gebruik buitenshuis.** Gebruik van een geschikt verlengsnoer vermindert het risico van een elektrische schok.
- Als het werken met elektrisch gereedschap op een vochtige locatie onvermijdelijk is, maak dan gebruik van een met een reststroomschakelaar (Residual Current Device - RCD) beveiligde voeding.** Met een RCD wordt het risico van een elektrische schok beperkt.

#### 3. Persoonlijke veiligheid

- Blijf alert, kijk wat u doet en gebruik uw gezond verstand wanneer u met dit elektrisch gereedschap werkt. Gebruik elektrisch gereedschap niet wanneer u moe bent of onder invloed van verdovende middelen, alcohol of medicatie.** Een ogenblik van onoplettendheid tijdens het werken met elektrisch gereedschap kan leiden tot ernstig persoonlijk letsel.
- Gebruik een uitrusting voor persoonlijke bescherming. Draag altijd oogbescherming.** Beschermende uitrusting, zoals een stofmasker, anti-slip schoenen, een helm en gehoorbescherming die onder de juiste omstandigheden worden gebruikt, zal persoonlijk letsel beperken.
- Voorkom dat het gereedschap onbedoeld wordt gestart. Controleer dat de schakelaar in de uit-stand staat en sluit dan pas de stroomvoorziening aan en/of plaats dan pas een accu, pak dan pas het gereedschap op en draag dan pas het gereedschap.** Elektrisch gereedschap dragen met uw vinger op de schakelaar of de stroomvoorziening inschakelen van elektrisch gereedschap dat is ingeschakeld, is vragen om ongelukken.
- Schakel het elektrisch gereedschap pas in wanneer u een stelsleutel of steeksleutel hebt verwijderd.** Een steeksleutel of een stelsleutel die aan een draaiend deel van het elektrisch gereedschap is bevestigd, kan persoonlijk letsel veroorzaken.
- Reik niet buiten uw macht. Houd altijd uw voeten goed aan de grond en bewaar te allen tijde uw evenwicht.** Hierdoor kunt u het elektrisch gereedschap beter controleren in onverwachte situaties.

- f. **Draag de juiste kleding. Draag geen losse kleding en geen sieraden. Houd uw haar, kleding en handschoenen weg bij draaiende onderdelen.** Losse kleding, sieraden en lang haar kunnen in bewegende onderdelen verstrikt raken.
- g. **Als er apparaten worden geleverd voor aansluiting van stofafzuiging en -verzameling, zorg er dan voor dat deze worden aangesloten en goed worden gebruikt.** Het gebruik van stofafzuiging kan stofgerelateerde gevaren beperken.
- h. **Laat u niet vertrouwd maken door veelvuldig gebruik van gereedschap, zodat u zelfgenoegzaam kunt worden en de veiligheidsbeginselen van gereedschap negeert.** Een onvoorzichtige handeling kan binnen een fractie van een seconde ernstig letsel veroorzaken.
4. **Gebruik en verzorging van elektrisch gereedschap**
- a. **Oefen niet te veel kracht uit op het elektrisch gereedschap. Gebruik het juiste elektrische gereedschap voor de toepassing.** Het juiste elektrische gereedschap zal de taak beter en veiliger uitvoeren wanneer het wordt gebruikt op de snelheid waarvoor het is ontworpen.
- b. **Gebruik het gereedschap niet als de aan/uit-schakelaar niet goed werkt.** Elektrisch gereedschap dat niet kan worden bediend met de aan/uit-schakelaar is gevaarlijk en moet worden gerepareerd.
- c. **Trek de stekker uit het stopcontact en/of neem de accu uit het elektrisch gereedschap en voer vervolgens pas aanpassingen uit, wissel dan pas accessoires en berg het gereedschap dan pas op.** Zulke preventieve veiligheidsmaatregelen beperken het risico dat het elektrisch gereedschap per ongeluk wordt gestart.
- d. **Berg elektrisch gereedschap dat niet wordt gebruikt, op buiten bereik van kinderen en sta niet toe dat personen die onbekend zijn met het gereedschap of deze instructies met het gereedschap werken.** Elektrisch gereedschap is gevaarlijk in de handen van onervaren gebruikers.
- e. **Onderhoud elektrisch gereedschap goed. Controleer het op verkeerde uitlijning of het aanlopen van bewegende onderdelen, breuk van onderdelen en iedere andere conditie die van invloed kan zijn op de werking ervan. Als het gereedschap is beschadigd, laat het dan repareren voordat u het weer gebruikt.** Veel ongelukken worden veroorzaakt door slecht onderhouden elektrisch gereedschap.
- f. **Houd snij- en zaaggereedschap scherp en schoon.** Goed onderhouden zaaggereedschap met scherpe snijvlakken zal minder snel vastlopen en is gemakkelijker onder controle te houden.
- g. **Gebruik het elektrisch gereedschap, de accessoires en bitjes, enz. in overeenstemming met deze instructies, waarbij u rekening houdt met de werkcondities en het werk dat moet worden uitgevoerd.** Gebruik van het elektrisch gereedschap voor andere werkzaamheden dan bedoeld kan leiden tot een gevaarlijke situatie.
- h. **Houd handgrepen en grijpvlakken droog, schoon en vrij van olie en vet.** Gladde handgrepen en grijpvlakken zorgen niet voor een veilige hantering en controle van het gereedschap in onverwachte situaties.
5. **Gebruik en verzorging van accu-gereedschap**
- a. **Laad het gereedschap alleen op met de lader die door de fabrikant wordt aangegeven.** Een lader die voor één type accu geschikt is kan brand veroorzaken als deze met een andere type accu wordt gebruikt.
- b. **Gebruik elektrisch gereedschap uitsluitend met specifiek aangeduide accu's.** Gebruik van andere batterijen kan een risico van brand doen ontstaan.
- c. **Houd een accu, wanneer deze niet in gebruik is, weg van metalen voorwerpen, zoals paperclips, munten, sleutels, spijkers, schroeven of andere kleine metalen voorwerpen die een verbinding tussen de ene accupool en de andere tot stand kunnen brengen.** Wanneer er kortsluiting tussen accupolen ontstaat, kunnen brand en brandwonden het gevolg zijn.
- d. **Wanneer de accu verkeerd wordt gebruikt, kan er vloeistof uit komen; vermijd contact hiermee. Komt u per ongeluk in contact met deze vloeistof, spoel deze dan af met water. Komt de vloeistof in uw ogen, roep dan ook medische hulp in.** Vloeistof die uit de accu komt, kan irritatie en brandwonden veroorzaken.
- e. **Gebruik geen accu of gereedschap dat beschadigd of gewijzigd is.** Beschadigde of gewijzigde batterijen kunnen onvoorspelbaar gedrag vertonen, wat kan leiden tot brand, explosie of verwondingsgevaar.
- f. **Stel een accu of gereedschap niet bloot aan vuur of buitensporige temperaturen.** Blootstelling aan vuur of temperatuur boven 130 ° C kan een explosie veroorzaken.
- OPMERKING** De temperatuur „130 ° C“ kan worden vervangen door de temperatuur „265 ° F“.
- g. **Volg alle oplaadinstructies en laad de accu of het gereedschap niet buiten het in de instructies gespecificeerde temperatuurbereik.** Onjuist opladen of bij temperaturen buiten het gespecificeerde bereik kan de batterij beschadigen en het risico op brand vergroten.

**6. Service**

- a. **Laat uw elektrisch gereedschap nazien door een gekwalificeerde monteur die alleen identieke vervangende onderdelen gebruikt.** Zo is gewaarborgd dat de veiligheid van het elektrisch gereedschap behouden blijft.
- b. **Onderhoud nooit beschadigde accu's.** Service aan accu's mag alleen worden uitgevoerd door de fabrikant of geautoriseerde serviceproviders.

**Aanvullende veiligheidswaarschuwingen voor gebruik van elektrisch gereedschap**



**Waarschuwing!** Aanvullende veiligheidswaarschuwingen voor boormachines

- ◆ **Draag oorbeschermers bij het klopboren.** Blootstelling aan lawaai kan gehoorverlies veroorzaken.
- ◆ **Gebruik de hulphandgrepen die bij het gereedschap worden geleverd.** Verlies van controle kan persoonlijk letsel tot gevolg hebben.
- ◆ **Zet het gereedschap goed vast voor gebruik.** Dit gereedschap produceert een hoog uitgangskoppel en zonder het gereedschap tijdens het gebruik goed te ondersteunen, kan er controleverlies optreden met persoonlijk letsel tot gevolg.
- ◆ **Houd het elektrisch gereedschap vast bij de geïsoleerde greepoppervlakken wanneer u werkzaamheden uitvoert waarbij het zaagaccessoire verborgen bedrading kan raken.** Wanneer het zaagaccessoire in contact komt met bedrading waar spanning op staat, kan er spanning komen te staan op de metalen delen van het elektrisch gereedschap en kan de gebruiker een elektrische schok krijgen.
- ◆ **Houd het elektrisch gereedschap vast bij de geïsoleerde greepoppervlakken wanneer u werkzaamheden uitvoert waarbij het bevestigingsmateriaal verborgen bedrading kan raken.** Wanneer het bevestigingsmateriaal in contact komt met bedrading waar spanning op staat, kan er spanning komen te staan op de metalen delen van het elektrisch gereedschap en kan de gebruiker een elektrische schok krijgen.

**Veiligheidsinstructies bij gebruik van lange boren**

- ◆ **Werk nooit met een hogere snelheid dan de maximale snelheid van de boor.** Bij hogere snelheden zal het bit waarschijnlijk buigen als het vrij kan draaien zonder het werkstuk te raken, met persoonlijk letsel tot gevolg.
- ◆ **Begin altijd te boren op lage snelheid en met de bitpunt in contact met het werkstuk.**

Bij hogere snelheden zal het bit waarschijnlijk buigen als het vrij kan draaien zonder het werkstuk te raken, met persoonlijk letsel tot gevolg.

- ◆ **Pas alleen druk toe in directe lijn met het bit en oefen geen overmatige druk uit.** Bits kunnen verbuigen, waardoor ze breken of de controle over het stuur verliezen, wat kan leiden tot persoonlijk letsel.
- ◆ **Zet met klemmen of op een andere praktische wijze het werkstuk vast en ondersteunen het op een stabiele ondergrond.** Wanneer u het werkstuk met de hand vasthoudt of het tegen uw lichaam drukt, kan het instabiel worden en kunt u de controle verliezen.
- ◆ Controleer, voordat u in wanden, vloeren of plafonds boort, de locatie op de aanwezigheid van bedrading of leidingen.
- ◆ Raak de punt van het boortje niet vlak na het boren aan, omdat het heet kan zijn.
- ◆ Het bedoelde gebruik wordt in deze instructiehandleiding beschreven. Het gebruik van een accessoire of hulpstuk of uitvoering van een handeling met dit gereedschap dat/die niet in deze instructiehandleiding wordt aanbevolen, kan een risico van persoonlijk letsel en/of materiële schade inhouden.

**Veiligheid van anderen**

- ◆ Het is niet de bedoeling dat dit gereedschap wordt gebruikt door personen (waaronder kinderen) met verminderde, fysieke, zintuiglijke of psychische vermogens, of met een gebrek aan ervaring of kennis, tenzij zij toezicht krijgen of instructies over het gebruik van het gereedschap van iemand die verantwoordelijk is voor hun veiligheid.
- ◆ Er moet toezicht op kinderen worden gehouden zodat zij niet met het apparaat kunnen spelen.

**Overige risico's.**

Er kunnen zich nog meer risico's voordoen wanneer het gereedschap wordt gebruikt en de bijgesloten veiligheidswaarschuwingen niet in acht worden genomen. Deze risico's kunnen ontstaan door verkeerd gebruik, langdurig gebruik, enz. Zelfs wanneer de relevante veiligheidsvoorschriften worden toegepast en veiligheidsvoorzieningen worden geïmplementeerd, kunnen bepaalde risico's niet worden voorkomen. Dit zijn onder meer:

- ◆ Verwondingen veroorzaakt doordat roterende/bewegende onderdelen worden aangeraakt.
- ◆ Verwondingen die worden veroorzaakt bij het wisselen van onderdelen, zaagbladen of accessoires.
- ◆ Verwondingen die worden veroorzaakt door langdurig gebruik van het gereedschap. Wanneer u gereedschap langdurig gebruikt, is het belangrijk dat u regelmatig pauzes inlast.

- ◆ Beschadiging van het gehoor.
- ◆ Gezondheidsrisico's die worden veroorzaakt door het inademen van stof dat ontstaat bij het gebruik van het gereedschap (bijvoorbeeld: werken met hout, vooral eikenhout, beukenhout en MDF)

## Trilling

De verklaarde waarden voor trillingsemissies die worden vermeld in de technische gegevens en de verklaring van conformiteit, zijn gemeten in overeenstemming met een standaard testmethode die door EN 60745 wordt verstrekt, en die kan worden gebruikt voor het vergelijken van het ene gereedschap met het andere. De vermelde waarde voor trillingsemissie kan ook worden gebruikt voor een voorlopige beoordeling van blootstelling.

**Waarschuwing!** De waarde voor trillingsemissie tijdens het feitelijke gebruik van het elektrische gereedschap kan verschillen van de vermelde waarde, afhankelijk van de manieren waarop het gereedschap wordt gebruikt. Het trillingsniveau kan toenemen tot boven het vermelde niveau. Wanneer de blootstelling aan trillingen wordt beoordeeld met het doel te bepalen welke veiligheidsmaatregelen worden vereist door 2002/44/EC voor het beschermen van personen die tijdens hun werk regelmatig elektrisch gereedschap gebruiken, moet een schatting van de blootstelling aan trillingen in overweging nemen de feitelijke condities waarin en de manier waarop het gereedschap wordt gebruikt, waarbij ook rekening moet worden gehouden met alle onderdelen van de bedrijfscyclus, zoals de tijden dat het gereedschap is uitgeschakeld en wanneer het stationair loopt, in aanvulling op de ingeschakelde tijd.

## Labels op het gereedschap

Naast de datumcode worden de volgende pictogrammen op het gereedschap getoond:



**Waarschuwing!** De gebruiker moet de instructiehandleiding lezen zodat het risico van letsel wordt beperkt.



Draag gehoorbescherming wanneer u werkt met slagboren.  
Blootstelling aan lawaai kan gehoorbeschadiging veroorzaken.



Kijk niet naar de werkende lamp

## Aanvullende veiligheidswaarschuwing voor accu's en laders

### Accu's

- ◆ Probeer nooit, om welke reden dan ook, de accu open te maken.
- ◆ Stel de accu niet bloot aan water.

- ◆ Berg de accu niet op op plaatsen waar de temperatuur hoger kan worden dan 40 °C.
- ◆ Laad de accu alleen op bij een omgevingstemperatuur van tussen 10 °C en 40 °C.
- ◆ Laad de accu alleen op met de lader die bij het gereedschap is geleverd.
- ◆ Wanneer u accu's wegdoet, volg dan de instructies die worden gegeven in hoofdstuk "Het milieu beschermen".



Probeer niet beschadigde accu's op te laden.

### Laders

- ◆ Gebruik uw BLACK+DECKER-lader uitsluitend voor het opladen van de accu die bij het gereedschap is geleverd. Andere accu's kunnen openbarsten en persoonlijk letsel en materiële schade veroorzaken.
- ◆ Probeer nooit niet-oplaadbare batterijen op te laden.
- ◆ Laat niet goed functionerende snoeren onmiddellijk vervangen.
- ◆ Stel de lader niet bloot aan water.
- ◆ Open of demonteer de lader niet.
- ◆ Steek niet (met) iets in de lader.



De lader is uitsluitend bedoeld voor gebruik door consumenten.



Lees voor gebruik de installatiehandleiding.

### Elektrische veiligheid



De lader is dubbel geïsoleerd, daarom is een aardedraad niet nodig. Controleer altijd dat de stroomvoorziening in overeenstemming is met de spanning op het typeplaatje. Probeer nooit een gewone stekker op de lader te monteren.

- ◆ Is het netsnoer beschadigd, dan moet het worden vervangen door de fabrikant, of een erkend BLACK+DECKER Servicecentrum, zodat een gevaarlijke situatie wordt vermeden.

### Functies

Dit gereedschap omvat enkele of alle van de volgende functies.

1. Schakelaar voor variabele snelheid
2. Schuifknop vooruit/achteruit
3. Stelkraag aanhaalmoment
4. Sleutellose boorkop
5. Vertanding voor dubbel bereik
6. LED-werklicht
7. Batterij
8. Accuvrijgaveknop



## Montage

## Gebruik

**Waarschuwing!** Laat het gereedschap op z'n eigen snelheid werken. Overbelast het niet.

### De accu opladen (Afb. A1, A2)

De accu moet voorafgaand aan het eerste gebruik worden opgeladen of wanneer niet voldoende vermogen wordt geleverd voor werkzaamheden die eerder gemakkelijk konden worden uitgevoerd. De accu kan warm worden tijdens het opladen; dit is normaal en wijst niet op een probleem.

**Waarschuwing!** Laad de accu niet op bij temperaturen lager dan 10 °C of hoger dan 40 °C. Aanbevolen laadtemperatuur ongeveer 24 °C.

**Opmerking: De lader zal de accu niet opladen als de celtemperatuur lager is dan ongeveer 10 °C of hoger dan 40 °C.**

**De accu moet in de lader blijven en de lader zal vanzelf de accu beginnen op te laden wanneer de celtemperatuur stijgt of daalt.**

- ◆ Steek de stekker van de lader (9) in een gewoon stopcontact van 230V/50Hz.
- ◆ Schuif de accu (7) in de lader, zoals in afb. A1, A2 wordt getoond.



De LED (9a) gaat knipperen ten teken dat de accu wordt opgeladen.



Wanneer de LED (9a) blijft branden, weet u dat de accu volledig is opgeladen. De accu is volledig opgeladen en kan worden gebruikt of in de acculader blijven zitten.

**Waarschuwing!** Brandgevaar. Wanneer u de accu uit de lader haalt, moet u eraan denken dat u eerst de stekker van de lader uit het stopcontact trekt en dan de accu uit de lader neemt.

### Diagnosefuncties van de lader

Deze lader kan bepaalde problemen detecteren die zich met de accu's of de stroomvoorziening kunnen voordoen. Problemen worden aangeduid door één LED die in verschillende patronen knippert.

### Slechte accu



De accu kan detecteren dat een accu zwak is of beschadigd. De LED knippert in een patroon dat op het label wordt vermeld. Als u dit knipperpatroon van een slechte accu ziet, ga dan niet door met het opladen van de accu. Breng de accu dan terug naar het servicecentrum of naar een inzamelingspunt waar de accu kan worden gerecycled.

## Vertraging Warme/Koude Accu



Wanneer de lader detecteert dat een accu veel te warm of veel te koud is, wordt automatisch een Vertraging Warme/Koude Accu gestart, en wordt het laden opgeschort tot de accu een normale temperatuur heeft bereikt. Wanneer dat zo is, schakelt de lader automatisch over op de stand Accu Opladen. Deze functie waarborgt een maximale levensduur van de accu.

Het lampje knippert in een patroon dat op het label wordt vermeld.

### De accu in de acculader laten zitten

De accu kan in de lader blijven zitten en de LED zal dan blijven branden. De lader houdt de in goede conditie en volledig opgeladen. Deze lader is voorzien van een automatische opfrisstand die de individuele cellen van de accu op gelijke spanning en in evenwicht houdt zodat de accu maximaal kan presteren. Accu's moeten wekelijks worden opgefrist of wanneer de accu niet meer presteert zoals voorheen. U kunt de automatische opfrisstand gebruiken door de accu in de lader ter plaatsen en tenminste 8 uur in de lader te laten.

### Belangrijke opmerkingen over opladen

- ◆ De accu kan het langst presteren en de beste prestaties leveren als de accu wordt opgeladen bij een luchttemperatuur van tussen 18 ° – 24 °C. Laad de accu NIET op bij een luchttemperatuur lager dan +4,5 °C of hoger dan +40 °C. Dit is belangrijk en zal voorkomen dat de accu ernstig beschadigd raakt.
- ◆ De lader en de accu zullen tijdens het opladen misschien warm aanvoelen. Dat is normaal en wijst niet op een probleem. U kunt het koelen van de accu na gebruik bevorderen door de lader of de accu niet in een warme omgeving te plaatsen, zoals een metalen loods of een ongeïsoleerde aanhanger.
- ◆ Als de accu niet goed wordt opgeladen:
  - ◆ Controleer de werking van het stopcontact door er een lamp of een ander apparaat op aan te sluiten;
  - ◆ Controleer of het stopcontact misschien is aangesloten op een lichtschakelaar die het stopcontact stroomloos maakt wanneer u de verlichting uitschakelt.
  - ◆ Breng de lader en de accu naar een plaats waar de omringende luchttemperatuur ongeveer 18 ° – 24 °C is;
  - ◆ Als de problemen met het laden aanhoudende, breng het gereedschap, de accu en de lade dan naar het servicecentrum bij u in de buurt.
- ◆ De accu moet worden opgeladen wanneer de accu niet voldoende vermogen levert voor werkzaamheden die eerder gemakkelijk werden uitgevoerd. GA NIET DOOR met uw werkzaamheden onder dergelijke omstandigheden. Volg de procedure voor het opladen.



U kunt ook een gedeeltelijk ontladen accu opladen wanneer u dat wilt, zonder dat dat negatieve gevolgen heeft voor de accu.

- ◆ Materiaal met geleidende eigenschappen zoals, maar niet bij uitsluiting, slijpstof, metaalsnippers, staalwol, aluminiumfolie of een verzameling van metaaldeeltjes moet uit de openingen van de lader worden weggehouden. Trek de stekker van de lader uit het stopcontact voordat u de acculader schoonmaakt.
- ◆ Bescherm de lader tegen vorst en dompel de lader niet onder in water of een andere vloeistof.

### De accu in het gereedschap plaatsen of uit het gereedschap nemen (afb. B)

**Waarschuwing!** Controleer dat de knop voor vergrendeling in de uit-stand (2) is ingeschakeld, zodat de schakelaar niet kan worden bediend, en verwijder of plaats daarna pas de accu.

Accu plaatsen:

- ◆ Steek de accu (7) in het gereedschap zodat u de accu hoort vastklikken (afb. B)

### De accu uit het gereedschap nemen (afb. C)

- ◆ Druk de accuvrijgaveknop (8) in zoals wordt getoond in (afb. C) en trek de accu uit het gereedschap.

## Bedieningsinstructies

### Aan/uit-schakelaar & omkeerknop (afb. D)

- ◆ De boormachine wordt in- en uitgeschakeld (ON en OFF) door de aan/uit-schakelaar (1) in te trekken en los te laten. Hoe verder de aan/uit-schakelaar wordt ingedrukt, des te hoger is de snelheid van de boormachine.
- ◆ De regelknop (2) voor vooruit/achteruit bepaalt de richting waarin het gereedschap werkt en dient ook als knop voor vergrendeling in de uit-stand.
- ◆ U kunt de voorwaartse draairichting selecteren door de aan/uit-schakelaar los te laten en de knop vooruit/achteruit naar links te drukken.
- ◆ U kunt de draairichting achteruit selecteren door de regelknop vooruit/achteruit in de tegengestelde richting te drukken.

**Opmerking:** In de middenpositie van de regelknop is het gereedschap vergrendeld in de uit-stand. Wanneer u de stand van de regelknop wijzigt, is het vooral belangrijk dat u de aan/uit-schakelaar loslaat.

### Regeling van het aanhaalmoment (afb. E)

Dit gereedschap is voorzien van een stelkraag aanhaalmoment (3) voor het selecteren van de bedrijfsstand en voor het instellen van het aanhaalmoment voor het aandraaien van schroeven.

Grote schroeven en bij werkstukken van hard materiaal is een hogere instelling van het aanhaalmoment nodig dan bij kleine schroeven en zachte materialen.

- ◆ Stel voor het boren in hout, metaal en kunststoffen de kraag op het boorsymbool
- ◆ Zet voor het in- en uitdraaien van schroeven het symbool op de gewenste instelling. Weet u de juiste instelling nog niet, ga dan als volgt te werk:
- ◆ Zet de kraag in de laagste instelling van het aanhaalmoment.
- ◆ Zet de eerste schroef vast.
- ◆ Als de koppeling ratelt voordat het gewenste resultaat is bereikt, zet de kraag dan op een hogere instelling en ga door met het vastzetten van de schroef. Herhaal dit tot u de juiste instelling hebt bereikt. Gebruik deze instelling voor de rest van de schroeven.

### Sleutellose boorkop (afb. F)

**Waarschuwing!** Controleer dat de knop voor vergrendeling in de uit-stand (2) is ingeschakeld, zodat de schakelaar niet kan worden bediend, en verwijder of plaats daarna pas accessoires.

Een boortje of een ander accessoire plaatsen:

- ◆ Pak het achterste gedeelte van de boorkop (4) met één hand vast en draai met uw andere hand het voorste gedeelte naar links, gezien vanaf het uiteinde van de boorkop.
- ◆ Steek het boortje of een andere accessoire geheel in de boorkop, en zet stevig vast door het achterste gedeelte van de boorkop vast te houden en het voorste gedeelte naar rechts te draaien, gezien vanuit het uiteinde van de boorkop.

**Waarschuwing!** Probeer niet boortjes (of een ander accessoire) vast te zetten door het voorste gedeelte van de boorkop vast te pakken en het gereedschap in te schakelen. Dit kan schade van de boorkop en persoonlijk letsel tot gevolg hebben wanneer u accessoires wisselt.

### Dubbele overbrenging (Afbeelding G)

Met de functie Dubbele overbrenging van uw boormachine kunt u een andere vertanding kiezen zodat het gereedschap veelzijdiger kan worden toegepast. U kunt een instelling met een lage snelheid, groot aanhaalmoment (stand 1) kiezen door het gereedschap uit te schakelen en tot stilstand te laten komen. Schuif de knop (5) voor het wijzigen van de overbrenging weg van de boorkop.

U kunt een instelling met een hoge snelheid, laag aanhaalmoment (stand 2) kiezen door het gereedschap uit te schakelen en tot stilstand te laten komen.

Schuif de knop voor het wijzigen van de overbrenging naar de boorkop toe.

**Opmerking:** Wijzig de overbrenging niet wanneer het gereedschap loopt.

Als het u niet lukt de overbrenging te wijzigen, controleer dan dat de knop voor het wijzigen van de overbrenging geheel naar voren of geheel naar achteren is geduwd.

**Boren/schroeven draaien**

- ◆ Selecteer rotatie vooruit of achteruit met de schuifknop vooruit/achteruit (2).
- ◆ U kunt het gereedschap inschakelen door op de schakelaar (1) te drukken. De snelheid van het gereedschap hangt af van hoe ver u de schakelaar indrukt.
- ◆ U kunt het gereedschap uitschakelen door de schakelaar los te laten.

**Wenken voor een optimaal gebruik**

**Boren**

- ◆ Gebruik uitsluitend scherpe boortjes.
- ◆ Ondersteun het werkstuk goed en zet het goed vast, volgens de instructies in de Veiligheidsinstructies.
- ◆ Gebruik de juiste en vereiste veiligheidsuitrusting, volgens de instructies in de Veiligheidsinstructies.
- ◆ Beveilig en onderhoud het werkgebied, volgens de instructies in de Veiligheidsinstructies.
- ◆ Laat de machine heel langzaam draaien, oefen lichte druk uit, tot het gat diep genoeg is en het boortje niet meer weg kan slippen.
- ◆ Oefen druk uit in een rechte lijn met het boortje. Oefen voldoende druk uit zodat het boortje blijft ingrijpen maar niet zoveel dat de motor tot stilstand komt of de boormachine wegglijdt.
- ◆ Houd de boor stevig met twee handen vast zodat u de draai-actie kunt controleren.
- ◆ **KLIK DE SCHAKELAAR VAN EEN VASTGELOPEN BOORMACHINE NIET AAN EN UIT IN EEN POGING DE MACHINE TE STARTEN. DE BOORMACHINE KAN HIERDOOR BESCHADIGD RAKEN.**
- ◆ Beperk het vastlopen bij het doorboren tot een minimum door de druk te laten afnemen en door het laatste gedeelte van het gat langzaam te boren.
- ◆ Laat de motor lopen terwijl u het boortje uit een geboord gat trekt. Dit helpt vastlopen te voorkomen.
- ◆ Controleer dat u de boormachine met de schakelaar kunt in- en uitschakelen.

**Boren in hout**

U kunt er gaten in hout boren met dezelfde boortjes die u voor metaal gebruikt of met een speciale houtboor (speedboor). Deze boren moeten scherp zijn en moeten tijdens het boren vaak uit het gat worden getrokken, zodat de spaanders uit de groeven kunnen ontsnappen.

**Boren in metaal**

Gebruik een snijvloeistof wanneer u in metalen boort.

De uitzonderingen zijn gietijzer en messing, deze metalen kunnen droog worden geboord. De smeermiddelen voor het boren die het beste werken zijn snij-olie en reuzelolie.

**Boren in metselwerk**

Zet voor het boren in metselwerk de kraag (3) in de stand van de hamerboor door het symbool tegenover de markering te zetten.

Schuif de snelheidsselectieknop (5) naar de voorzijde van het gereedschap (2e vertanding).

**Schroevendraaien**

- ◆ Gebruik altijd het schroefbit van het juiste type en de juiste afmeting.
- ◆ Als u schroeven moeilijk kunt indraaien, kunt u een kleine hoeveelheid afwasmiddel of zeep als smeermiddel toepassen.
- ◆ Houd het gereedschap en het schroefbit altijd in een rechte lijn met de schroef

**Oplossen van problemen**

Probleem	Mogelijke oorzaak	Mogelijke oplossing
Machine start niet.	Accu is niet opgeladen.	Controleer de eisen die aan het laden van de accu worden gesteld
Accu laadt niet op.	De stekker van de lader zit niet in het stopcontact.  Temperatuur van de omgevingslucht is te hoog of te laag.	Steek de stekker van de lader in een stopcontact waar spanning op staat.  Verplaats de lader en de accu naar een ruimte met een luchttemperatuur van lager dan -4,5°C ) of hoger dan +40,5°C
Unit schakelt zichzelf plotseling uit.	Accu heeft de maximale thermische limietwaarde bereikt. Zonder lading (Voor een maximale levensduur is de accu zo ontworpen dat de unit direct wordt uitgeschakeld wanneer de accu is uitgeput	Laat de accu afkoelen  Plaats de accu op de lader en laat de accu opladen.

**Onderhoud**

Het BLACK+DECKER-gereedschap is ontworpen om gedurende lange tijd zijn werk te doen met een minimum aan onderhoud.

Voortdurend gebruik naar tevredenheid van de gebruiker is afhankelijk van de juiste verzorging en regelmatige reiniging van het gereedschap.

De lade vraagt geen onderhoud behalve regelmatige reiniging.

**Waarschuwing!** Verwijder eerst de accu uit het gereedschap en voer daarna pas onderhoudswerk uit. Trek de stekker van de lader uit het stopcontact voordat u begint met schoonmaken.

## EG-conformiteitsverklaring

MACHINERICHTLIJN



BDASB18 - Slagboommachine

Black & Decker verklaart dat deze producten beschreven onder "technische gegevens" voldoen aan: 2006/42/EC, EN62841-1:2015 EN62841-2-1:2018+A11:2019.

Deze producten voldoen ook aan de richtlijn 2014/30/EU en 2011/65/EU. Neem voor meer informatie contact op met Black & Decker op het volgende adres of raadpleeg de achterzijde van de handleiding.

Ondergetekende is verantwoordelijk voor de samenstelling van het technische dossier en legt deze verklaring af namens Black & Decker.

Ed Higgins

Director – Consumer Power Tools  
Black & Decker Europe, 270 Bath Road, Slough,  
Berkshire, SL1 4DX  
United Kingdom  
29/11/2019

## Garantie

Black & Decker vertrouwt op de kwaliteit van zijn producten en biedt consumenten een garantie van 24 maanden vanaf de aankoopdatum. Deze garantie is een aanvulling op uw wettelijke rechten en treedt op geen enkele wijze in de plaats daarvan. De garantie is geldig in de gebieden van de Lidstaten van de Europese Unie en het Europese Vrijhandelsgebied.

U kunt aanspraak maken op de garantie door de aanspraak op te stellen in overeenstemming met de voorwaarden en condities van Black & Decker en u moet de verkoper of een erkend reparatiemonteur een aankoopbewijs overleggen. De voorwaarden en condities van de Black & Decker-garantie van 2 jaar en de vestiging van de dichtstbijzijnde erkende reparatiemonteur kunt u opvragen op internet via [www.2helpU.com](http://www.2helpU.com), of door contact op te nemen met het Black & Decker-kantoor ter plaatse, op het adres dat in deze handleiding wordt vermeld.

Bezoek onze website [www.blackanddecker.co.uk](http://www.blackanddecker.co.uk), registreer uw nieuwe Black & Decker-product en ontvang updates over nieuwe producten en speciale aanbiedingen

- ◆ Reinig regelmatig de ventilatie-openingen van het gereedschap en de lader met een zachte borstel of een droge doek.
- ◆ Reinig regelmatig de motorbehuizing met een vochtige doek  
Gebruik niet een schuurmiddel of een reinigingsmiddel op basis van een oplosmiddel.
- ◆ Open regelmatig de boorkop en tik stof uit het binnenste.

## Het milieu beschermen



Separate inzameling. Producten en accu's die voorzien zijn van dit symbool mogen niet bij het gewone huishoudelijke afval worden weggegooid.

Producten en accu's bevatten materialen die kunnen worden teruggewonnen of gerecycled waardoor de vraag naar ruwe grondstoffen wordt verminderd.

Recycle elektrische producten en accu's volgens de ter plaatse geldende bepalingen. Verdere informatie is verkrijgbaar op [www.2helpU.com](http://www.2helpU.com)

## Technische gegevens

BDASB18		
Spanning	$V_{DC}$	18
Snelheid onbelast	$Min^{-1}$	0 - 360/0 - 1400
Max. Torsie	Nm	45
Capaciteit van de boorkop	mm	1-10
Maximale boorcapaciteit		
Staal/hout/Metselwerk	mm	10/25/10
Gewicht	kg	0,9 (met accu 1,3)

Lader		90589867	90590287-06	90634971
Ingangsspanning	$V_{AC}$	230	230	230
Uitgangsspanning	$V_{DC}$	18	18	18
Stroom	mA	200	400	1A
Laadtijd ongevoel.	Uren	8	3 - 5	1,5

Batterij			BL1518
Spanning	$V_{AC}$		18
Capaciteit	Ah		1,5
Type			Li-Ion

## Niveau van de geluidsdruk volgens EN 62841:

Geluidsdruk ( $L_{pA}$ ) 87.5 dB(A), onzekerheid (K) 5 dB(A)

Geluidsdruk ( $L_{WA}$ ) 98.5 dB(A), onzekerheid (K) 5 dB(A)

## Totale vibratiewaarden (triax vectorsom) volgens EN 62841:

Boren in beton ( $a_{h,d}$ ) 14.2 m/s<sup>2</sup>, onzekerheid (K) 1.5 m/s<sup>2</sup>

Boren in metaal ( $a_{n,d}$ ) 1.1 m/s<sup>2</sup>, onzekerheid (K) 1.5 m/s<sup>2</sup>

## Tiltenkt bruk

Din BLACK+DECKER BDASB18V - boremaskin er designet for skrutrekking og for boring i tre, metall og plast. Sette verktøyet er kun ment for privat bruk.

## Sikkerhetsinstruksjoner

### Generelle sikkerhetsadvarsler for elektroverktøy



**ADVARSSEL** Les alle sikkerhetsadvarsler, instruksjoner, illustrasjoner og spesifikasjoner som følger med dette elektroverktøyet. Hvis du ikke følger advarslene og instruksjonene under, kan dette resultere i elektrisk støt, brann og/eller alvorlig personskade.

Ta vare på alle advarsler og instruksjoner for fremtidig bruk. Termen "elektroverktøy" i advarslene under viser til ditt strøm-drevne (med ledning) eller batteridrevne (trådløse) elektroverktøy.

#### 1. Sikkerhet på arbeidsområdet

- Hold arbeidsområdet ryddig og godt opplyst.** Rotete eller mørke områder er en invitasjon til ulykker.
- Du skal ikke bruke elektroverktøy i eksplosive atmosfærer slik som hvor det finnes antennbare væsker, gasser eller støv.** Elektriske verktøy skaper gnister som kan antenne støvet eller gassene.
- Hold barn og tilskuere borte når du bruker elektroverktøyet.** Forstyrrelser kan føre til at du mister kontrollen over verktøyet.

#### 2. Elektrisk sikkerhet

- Verktøyet støpsel må passe til stikkkontakten. Du skal ikke modifisere støpselet på noen måte. Du skal ikke bruke adapterstøpsler med jordede elektroverktøy.** Umodifiserte støpsler og passende stikkontakter vil redusere faren for elektrisk støt.
- Unngå kroppskontakt med jordede overflater slik som rør, radiatorer, komfyrer og kjøleskap.** Det er fare for elektrisk støt hvis kroppen din er jordat.
- Ikke eksponer elektroverktøy for regn eller våte forhold.** Vann som kommer inn i et elektroverktøy vil øke faren for elektrisk støt.
- Ikke misbruk ledningen. Du skal aldri bruke ledningen til å bære, dra eller til å plugge ut elektroverktøyet. Hold ledningen unna varme, olje, skarpe kanter og bevegelige deler.** Ødelagte eller kveilede ledninger øker faren for elektrisk støt.
- Når du bruker elektroverktøyet utendørs skal du bruke en skjøteledning som er tiltenkt utendørs bruk.** Bruk av en skjøteledning som passer til utendørs bruk reduserer faren for elektrisk støt.

- Hvis det er uunngåelig å bruke verktøyet på et fuktig sted skal du bruke en jordfeilbryter (RCD).** Bruk av en RCD reduserer faren for elektrisk støt.

#### 3. Personlig sikkerhet

- Vær oppmerksom, pass på hva du gjør og bruk sunn fornuft ved bruk av et elektroverktøy. Ikke bruk verktøyet når du er trett eller under påvirkning av rusmidler, alkohol eller medisiner.** Et øyeblikks uoppmerksomhet ved bruk av et elektroverktøy kan føre til alvorlig personskade.
  - Bruk personlig verneutstyr. Du skal alltid bruke vernebriller.** Beskyttelsesutstyr slik som støvmaske, skliskre vernesko, hjelm eller hørselsvern som brukes under passende forhold reduserer faren for personskader.
  - Unngå utilsikket starting. Forsikre deg om at bryteren er i av-posisjon før du plugges i og/eller setter inn batteripakken, løfter eller bærer verktøyet.** Ved å bære elektroverktøy med fingeren på avtrekkeren eller ved å koble en energikilde til elektroverktøy som har bryteren på kan føre til ulykker.
  - Fjern justeringsnøkkel før du skrur elektroverktøyet på.** En nøkkel som sitter på en roterende del av elektroverktøyet kan føre til personskade.
  - Strekk deg ikke for langt. Hold stødig grep med bena og ha god balanse hele tiden.** Dette gir bedre kontroll over elektroverktøyet i uventede situasjoner.
  - Kle deg skikkelig. Ikke ha på løse klær eller smykker. Hold hår, klær og hanser unna bevegelige deler.** Løse klær, smykker eller langt hår kan sette seg fast i bevegelige deler.
  - Hvis du har støvsuger og støvsamler, skal du forsikre deg om at de er festet skikkelig og brukes på riktig måte.** Bruk av støvsuger kan redusere støvrelaterte farer.
  - Ikke la fortrolighet oppnådd ved hyppig bruk av verktøy tillate deg å bli selvtillfreds og ignorere prinsippene for sikkerhetssikkerhet.** En uforsiktig handling kan forårsake alvorlig skade i løpet av et brøkdøle av et sekund.
- #### 4. Bruk og vedlikehold av elektroverktøy
- Ikke bruk makt på elektroverktøyet. Bruk riktig elektroverktøy for ditt bruk.** Det riktige elektroverktøyet vil gjøre jobben bedre og sikrere i området det er designet for.
  - Ikke bruk verktøyet dersom det ikke kan slås på og av ved hjelp av bryteren.** Et verktøy som ikke kan kontrolleres med bryteren er farlig og må repareres.
  - Koble kontakten fra strømkilden og/eller batteripakken fra elektroverktøyet før du utfører justeringer, endrer tilbehør eller lagrer elektroverktøy.** Slike forebyggende sikkerhetstiltak reduserer faren for at elektroverktøyet starter ved et uhell.
  - Oppbevar verktøyet utenfor barns rekkevidde og ikke**

- tillat personer som ikke er kjent med maskinen eller bruksanvisningen å håndtere verktøyet. Elektroverktøy er farlige i hendene på brukere uten opplæring.
- e. **Vedlikehold elektroverktøy. Kontroller for skjevheter eller fastkjørte bevegelige deler, brukne deler og andre forhold som kan påvirke elektroverktøyet drift. Hvis det er skadet skal du få elektroverktøyet reparert før bruk.** Mange ulykker oppstår på grunn av dårlig vedlikehold av elektroverktøy.
- f. **Hold kutteverktøy skarpe og rene.** Riktig vedlikeholdte kutteverktøy kjører seg ikke lett fast og er enklere å kontrollere.
- g. **Bruk elektroverktøyet, tilbehøret og verktøybits etc. i samsvar med disse instruksjonene og ta hensyn til arbeidsforhold og arbeidet som skal utføres.** Bruk av elektroverktøyet til annen bruk enn den tiltenkte kan føre til farlige situasjoner.
- h. **Hold håndtakene og gripeflatene tørre, rene og fri for olje og fett.** Glatte håndtak og gripende overflater tillater ikke sikker håndtering og kontroll av verktøyet i uventede situasjoner.
5. **Bruk og vedlikehold av batteridrevne verktøy**
- a. **Du skal kun lade med en lader som er spesifisert av produsenten.** En lader som passer en type batteripakke kan være brannfarlig når den brukes med en annen batteripakke.
- b. **Bruk elektriske verktøy kun med spesielt tiltenkte batteripakker.** Bruk av andre batteripakker kan føre til fare for brann.
- c. **Når batteripakken ikke er i bruk, hold den unna metallobjekter som binders, mynter, spikere, skruer eller andre små metallgjenstander som kan kortslutte fra en kontakt til den andre.** Kortslutning av batterikontaktene kan føre til brannskader eller brann.
- d. **Under tunge forhold kan det komme væske ut av batteriet, unngå kontakt med den. Dersom du utilsiktet kommer i kontakt med væsken, skyll med vann. Dersom du får væsken i øynene, søk også medisinsk hjelp.** Væske fra batteriet kan føre til irritasjoner eller etseskader.
- e. **Ikke bruk en batteripakke eller verktøy som er skadet eller endret.** Skadede eller modifiserte batterier kan utvise uforutsigbar oppførsel som kan føre til brann, eksplosjon eller fare for personskader.
- f. **Ikke utsett en batteripakke eller verktøy for brann eller for høy temperatur.** Eksponering for brann eller temperatur over 130 ° C kan forårsake eksplosjon.

**MERKNAD** Temperaturen „130 ° C“ kan erstattes av temperaturen „265 ° F“.

- g. **Følg alle ladeinstruksene og ikke lad batteripakken eller verktøyet utenfor temperaturområdet som er spesifisert i instruksjonene.** Lading feil eller ved temperaturer utenfor det spesifiserte området kan skade batteriet og øke risikoen for brann.

## 6. Service

- a. **La elektroverktøyet få service av en kvalifisert reparatør og bruk kun identiske reservedeler.** Dette sikrer at sikkerheten ved elektroverktøyet opprettholdes.
- b. **Bruk aldri skadede batteripakker.** Service av batteripakker skal bare utføres av produsenten eller autoriserte tjenesteleverandører.

## Ekstra sikkerhetsadvarsler for elektroverktøy



**Advarsel!** Ekstra sikkerhetsanvisninger for boremaskiner

- ◆ **Bruk ørebeskyttere når du slår fast.** Eksponering for støy kan forårsake hørselstap.
- ◆ **Bruk ekstrahåndtakene som følger med verktøyet.** Tap av kontroll kan føre til personskader.
- ◆ **Avstiv verktøyet ordentlig før bruk.** Dette verktøyet produserer et høyt utgangsmoment, og uten å avstamme verktøyet riktig, kan tap av kontroll oppstå som fører til personskaade.
- ◆ **Hold elektroverktøyet på de isolerte gripeoverflatene når du utfører arbeid hvor kuttetilbehøret kan komme i kontakt med skjulte ledninger.** Kuttetilbehør som kommer i kontakt med strømførende ledninger gjør eksponerte metalldele av elektroverktøyet strømførende og kan gi brukeren elektrisk støt.
- ◆ **Hold elektroverktøyet på de isolerte gripeoverflatene når du utfører arbeid hvor kuttetilbehøret/skruen kan komme i kontakt med skjulte ledninger.** Skrue/tilbehør som kommer i kontakt med strømførende ledninger gjør eksponerte metalldele av elektroverktøyet strømførende og kan gi brukeren elektrisk støt.

## Sikkerhetsinstruksjoner når du bruker lange bor

- ◆ **Kjør aldri med høyere hastighet enn borkronens maksimale hastighet.** Ved høyere hastigheter vil borkronen sannsynligvis bøye hvis den får rotere fritt uten å komme i kontakt med arbeidsstykket, noe som resulterer i personskade.
- ◆ **Begynn alltid å bore i lav hastighet og med bitspissen i kontakt med arbeidsstykket.** Ved høyere hastigheter vil borkronen sannsynligvis bøye hvis den får rotere fritt uten å komme i kontakt med arbeidsstykket, noe som resulterer i personskade.
- ◆ **Bruk trykk bare i direkte linje med biten og ikke bruk for høyt trykk.** Biter kan bøye og forårsake brudd eller tap av kontroll, noe som kan føre til personskade.
- ◆ **Bruk klemmer eller en annen praktisk måte til å sikre og støtte arbeidsstykket til en stabil plattform.** Ved å holde arbeidet i hånden eller mot kroppen gjør det ustabil og kan føre til tap av kontroll.

- ◆ Før du borer i vegger, gulv eller tak skal du sjekke hvor det er ledninger og rør.
- ◆ Unngå å ta på tuppen av drillbiten rett etter boring da den kan være varm.
- ◆ Tiltent bruk er beskrevet i denne bruksanvisningen. Bruk av noe tilbehør eller utførelse av noe arbeid med dette verktøyet annet enn det som er beskrevet i denne bruksanvisningen utgjør en fare for personskader og/eller materielle skader.

### Andres sikkerhet

- ◆ Dette verktøyet er ikke tiltent for bruk av personer (inkludert barn) med reduserte fysiske, sansemessige eller mentale evner, eller som ikke har erfaring og kunnskap, hvis de ikke holdes oppsyn med eller gitt instruksjon som angår bruk av verktøyet av en person som er ansvarlig for deres sikkerhet.
- ◆ Barn skal holdes oppsyn med for å forsikre at de ikke leker med verktøyet.

### Restrisikoer

Restrisikoer kan oppstå når du bruker verktøyet, som ikke er inkludert i sikkerhetsadvarslene. Disse farene kan oppstå fra misbruk, langtidsbruk etc.

Selv ved overholdelse av de relevante sikkerhetsregler og implementering av sikkerhetsutstyr, kan visse restrisikoer ikke unngås. Disse inkluderer:

- ◆ Personskader forårsaket av roterende/bevegelige deler.
- ◆ Personskader som oppstår under skifte av deler, blader eller tilbehør.
- ◆ Personskader forårsaket av langtidsbruk av verktøyet. Når du bruker verktøyet over lang tid, må du forsikre at tar regelmessige pauser.
- ◆ Hørselskader.
- ◆ Helsefarer forårsaket av innpusting av støv som utvikler seg når du bruker verktøyet (for eksempel når du jobber med tre, spesielt eik, bøk og MDF.)

### Vibrasjon

De deklarete vibrasjonsutslippsverdiene som er oppgitt i teknisk data og samsvarserklæringen har blitt målt i samsvar med en standard testmetode gitt av EN 62841 og kan brukes til å sammenligne et verktøy med et annet.

De erklærte vibrasjonsutslippsverdiene kan også brukes i foreløbig vurdering av eksponering.

**Advarsel!** Vibrasjonsverdier under faktisk bruk av elektroverktøyet kan være ulikt fra de erklærte verdiene, avhengig av måten verktøyet blir brukt på. Vibrasjonsnivået kan øke over det angitte nivået.

Ved vurdering av vibrasjonseksponering for å fastsette sikkerhetstiltak i henhold til 2002/44/EU for beskyttelse av personer som regelmessig bruker elektroverktøy, skal estimatet av vibrasjonseksponeringen ta hensyn til de virkelige

bruksforholdene og bruksmåten for verktøyet, inkludert å ta hensyn til alle deler av brukssyklusen så som tidsperioder der verktøyet er avslått og tomgangstider, i tillegg til virkelig aktiv bruk.

### Merker på verktøyet

De følgende symbolene vises på verktøyet sammen med datokoden:



**Advarsel!** For å redusere risikoen for personskader, må brukeren lese bruksanvisningen.



Bruk hørselsvern når du bruker slagboremaskiner. Eksponering for støv kan føre til hørselstap.



Ikke stir på lampen

### Ekstra sikkerhetsanvisninger for batterier og batteriladere

#### Batterier

- ◆ Du skal aldri prøve å åpne strømadapteren av noen grunn.
- ◆ Ikke utsett batteriet for vann.
- ◆ Skal ikke lagres på steder der temperaturen kan overstige 40 °C.
- ◆ Skal bare lades ved omgivelsestemperaturer mellom 10 °C og 40 °C.
- ◆ Skal kun lades med laderen som fulgte med verktøyet.
- ◆ Ved avhenging av batterier, følg instruksene i avsnittet "Miljøvern".



Ikke forsøk å lade defekte batterier.

#### Ladere

- ◆ Bruk BLACK+DECKER laderen kun for lading av batteriet om fulgte med verktøyet. Andre batterier kan eksplodere og føre til personskader og materielle skader.
- ◆ Forsøk aldri å lade ikke-ladbare batterier.
- ◆ Få skadede strømkabler skiftet ut snarest.
- ◆ Ikke utsett laderen for vann.
- ◆ Ikke åpne laderen.
- ◆ Ikke stikk noe inn i laderen.



Laderen er kun ment for privat bruk.



Les bruksanvisningen før bruk.



## Electrical safety



Dette verktøyet er dobbelisolert, og derfor trengs ikke jording. Du skal alltid sjekke at strømforsyningen samsvarer med spenningen på typeskiltet. Forsøk aldri i bytte ut laderenheten med en vanlig strømadapter.

- ◆ Hvis strømledningen er skadet, må den byttes av produsenten eller et autorisert BLACK+DECKER servicesenter for å unngå farer.

## Egenskaper

Dette verktøyet har noen eller alle av disse egenskapene.

1. Bryter variabel hastighet
2. Skyvebryter forover/bakover
3. Momentjusteringskrage
4. Nøkkelløs chuck
5. To-område gir
6. LED arbeidslampe
7. Batteri
8. Utløserknapp for batteri

## Montering

### Bruk

**Advarsel!** La verktøyet jobbe i eget tempo. Ikke overbelast.

### Lade batteriet (figur A1, A2)

Batteriet må lades før første gangs bruk og hver gang det ikke lenger gir tilstrekkelig effekt ved jobber som gikk lett før. Batteriet kan bli varmt ved lading, dette er normalt og tyder ikke på noen feil.

**Advarsel!** Ikke lade batteriet ved temperaturer under 10 °C eller over 40 °C. Anbefalt ladetemperatur: omtrent 24 °C.

**Merk: Laderen vil ikke lade batteriet dersom temperaturen er under omtrent 10 °C eller over 40 °C. Batteriet bør bli stående i laderen og laderen vil starte automatisk lading når celleteperaturen stiger eller synker igjen.**

- ◆ Plugg laderen (9) inn i en standard stikkontakt 230 volt 50 Hz.
- ◆ Skyv batteriet (7) inn i laderen som vist i figur A1,A2.



LED-lyset (9a) vil blinke for å indikere at batteriet lades.



Fullført lading vises ved at LED-lyset (9a) er på konstant. Pakken er da fullt oppladet og kan brukes, eller den kan bli stående i laderen.

**Advarsel!** Fare for brann. Når du tar batteriet ut av laderen, pass på å trekke støpselet ut av stikkkontakten først, deretter kan du ta batteriet ut av laderen.

### Laderdiagnose

Denne laderen er designet for å registrere visse problemer som kan oppstå ved laderen eller strømkilden. Problemer vises ved at en LED blinker i ulike mønstre.

## Dårlig batteri



Laderen kan registrere et svakt eller skadet batteri. LED blinker i mønster som angitt på etiketten.

Dersom du ser blinkemønsteret for dårlig batteri, ikke fortsett lading av batteriet. Sen det til et servicesenter eller deponer det på en gjenbruksstasjon.

## Varm/kald pakkeforsinkelse



Når laderen oppdager en batteripakke som er alt for varm eller kald, vil den straks starte en varm/kald pakkeforsinkelse og opphøre å lade til batteripakken har nådd passende temperatur. Etter det vil laderen automatisk skifte til lademodus for pakken. Denne egenskapen sikrer maksimal levetid av batteripakken. Lyset blinker i mønster som angitt på etiketten.

## La batteriet stå i laderen

Laderen og batteripakken kan forbli tilkoblet og LED-lyset vil lyse permanent. Laderen vil holde batteripakken frisk og fullt oppladet. Denne laderen har en automatisk tuning-modus som utjevner eller balanserer de separate cellene i batteripakken for å gi topp kapasitet. Batteripakker bør tunes hver uke eller når batteriet ikke lenger gir samme effekt for arbeidet. For å bruke modusen med automatisk tuning, sett batteripakken og la den stå der i minst 8 timer.

## Viktige merknader om lading

- ◆ Lengst levetid og best ytelse kan oppnås når batteriet lades ved lufttemperaturer mellom 18 ° – 24 °C. IKKE lade batteripakken ved temperatur under +4,5 °C eller over +40 °C. Dette er viktig og vil forhindre alvorlige skader på batteripakken.
- ◆ Laderen og batteripakken kan bli varme ved lading. Dette er normalt og tyder ikke på noe problem. For bedre kjøling av batteripakken etter bruk, unngå å sette laderen eller batteripakken i et varmt miljø som i et metall-skur eller uisolert container.
- ◆ Dersom batteripakken ikke lades ordentlig:
  - ◆ Sjekk funksjonen av stikkkontakten ved å plukke inn en lampe eller annet utstyr;
  - ◆ Sjekk om stikkkontakten er koblet til en lys-bryter som slår strømmen av når du slår av lysene;
  - ◆ Flytt laderen og batteripakken til et sted der omgivelseslufttemperaturen er omtrent 18 ° – 24 °C;
  - ◆ Dersom ladeproblemet vedvarer, ta med verktøy, batteri-pakken og laderen til ditt lokale servicesenter.
- ◆ Batteripakken skal lades når den ikke lenger gir tilstrekkelig effekt til jobber som tidligere var lett å gjøre. IKKE FORTSETT bruken under disse forholdene. Følg ladeprosedyren. Du kan også lade en delvis oppladet pakke når som helst du ønsker det, med ingen negativ effekt på batteripakken.



- ◆ Fremmedlegemer som leder strøm, så som - men ikke begrenset til - slipestøv, metallspån, stålull, aluminiumsfolie eller annen oppbygging av metalliske partikler skal holdes unna åpningene i laderen. Plugg ut laderen før du rengjør.
- ◆ Ikke utsett laderen for frost, og aldri senk den ned i vann eller noen annen væske.

### Sette inn og ta ut batteripakken på verktøyet (figur B)

**Advarsel!** Pass på at låseknappen (2) er satt på for å forhindre start før du setter inn eller tar ut batteriet.

For å sette inn batteripakken:

- ◆ Sett batteripakken (7) inn i verktøyet til du hører et klikke (figur B).

### Ta ut batteripakken av verktøyet (figur C)

- ◆ Trykk inn utløserknapp for batteriet (8) som vist i (figur C) og trekk batteripakken ut av verktøyet.

## Bruksanvisning

### Avtrekkerbryter og reversbryter (figur D)

- ◆ Boremaskinen slås PÅ og Av ved å trekke i og slippe avtrekkerbryteren (1). Desto mer du trykker avtrekkeren, desto større hastighet på drillen.
- ◆ Bryteren for forover/bakover og hastighet (2) avgjør retningen av verktøyet og fungerer også som hastighetskontroll.
- ◆ For å velge forover, slipp avtrekkeren og trykk fremover/revers-kontrollen til venstre.
- ◆ For å velge revers, trykk fremover/revers-kontrollen i motsatt retning.

**Merk:** Midtposisjonen av kontrollbryteren låser verktøyet i av-posisjon.

Ved endring av posisjon av kontrollbryteren, pass på at du har sluppet avtrekkeren.

### Momentkontroll (figur E)

Dette verktøyet er utstyrt med en momentjusteringskrage (3) for valg av driftsmodus og innstilling av moment ved trekking av skruer. Store skruer og arbeidsstykker av harde materialer krever høyere moment enn små skruer og arbeidsstykker av mykt materiale.

- ◆ For boring i tre, metall og plast, sett kragen til symbolet for boring.
- ◆ For skrutrekking, sett kragen til ønsket innstilling. Dersom du ikke ved hva som passer, gå frem som følger:
- ◆ Sett kragen til laveste momentinnstilling.
- ◆ Trekk til første skruer.
- ◆ Dersom clutchen slurer før ønsket resultat er oppnådd, øk innstillingen på kragen og fortsett tiltrekking av skruen. Gjenta helt til du har korrekt innstilling. Bruk denne innstilling for de neste skruene.

### Nøkkelløs chuck (figur F)

**Advarsel!** Pass på at låseknappen (2) er satt på for å forhindre start før du setter inn eller tar ut tilbehør. For å sette inn en drill-bit eller annet tilbehør:

- ◆ Grip bakre del av chucken (4) med en hånd og bruk den andre hånden til å rotere fremre del mot klokken, som sett fra chuck-enden.
- ◆ Sett inn bit eller annet tilbehør i chuck, og trekk godt til ved å holde bakre del av chucken og dreie fremre del med klokken som sett fra chuck-enden.

**Advarsel!** Ikke forsøk å strømmen drill-bit (eller annet tilbehør) ved å holde i fremre del av chucken og deretter slå på verktøyet. Det kan oppstå personskader og skader på chucken når du skifter tilbehør.

### To-område gir (figur G)

To-område funksjonen på boremaskinen lar deg skifte gir for større anvendelighet. For å velge lav hastighet, høyt moment (posisjon 1), slå av verktøyet og la det stoppe helt. Skyv girvelgerbryteren (5) bort fra chucken. For å velge høy hastighet, lavt moment (posisjon 2), slå av verktøyet og la det stoppe helt.

Skyv girvelgerbryteren mot chucken.

**Merk:** Ikke skift gir når verktøyet går. Dersom du har problemer med å skifte gir, pass på at to-område girbryteren er skjøvet enten helt forover eller helt bakover.

### Boring/skruing

- ◆ Velg rotasjon fremover eller bakover ved å trykke fremover/revers skyvebryteren (2).
- ◆ For å skru verktøyet på trykk inn bryteren (1). Verktøyets hastighet avhenger av hvor langt du trykker bryteren.
- ◆ For å skru verktøyet av, slipp bryteren.

### Tips for optimal bruk

#### Boring

- ◆ Du skal kun bruke skarpe drill-bits.
- ◆ Støtt opp og fest arbeidsstykket ordentlig, som angitt i sikkerhetsanvisningene.
- ◆ Bruk passende og påkrevet verneutstyr, som angitt i sikkerhetsanvisningene.
- ◆ Sikre og hold arbeidsområdet ryddig, som angitt i sikkerhetsanvisningene.
- ◆ Kjør boremaskinen svært langsomt helt til hullet er dypt nok til at drill-biten holdes på plass av seg selv.
- ◆ Legg på trykk i rett linje med bit-en. Bruk nok trykk for at drill-biten biter, men ikke så mye at motoren kjører seg fast eller bit-en sklir.
- ◆ Hold boremaskinen godt med to hender for å kontrollere rotasjonsreaksjonen.

- ◆ IKKE KLIKK PÅ OG AV MED AVTREKKEREN PÅ EN FASTKJØRT DRILL FOR Å FORSØKE Å STARTE DEN. DET KAN FØRE TIL SKADER PÅ DRILLEN.
- ◆ Minimer fastkjøring ved gjennombrudd ved å redusere trykket og bore sakte gjennom siste del av hullet.
- ◆ Hold motoren i gang når du trekker bit-en ut av et hull. Dette vil forhindre fastkjøring.
- ◆ Pass på at bryteren slår maskinen av og på.

## Boring i tre

Hull i tre bores med samme spiral-bits som brukes for metall, eller med spade-bits. Slike bits skal være skarpe og bør trekkes ut regelmessig under boring for å fjerne spon fra sporene.

## Boring i metall

Bruk en skjærevæske ved boring i metall. Unntakene er støpejern og messing, som bør bores tørt. De beste skjærevæskene er svovelholdig olje eller fettolje.

## Boring i murverk

For boring i murverk, sett kragen (3) til slag- boringsposisjon ved å rette inn symbolet med merket.

Skyv hastighetsvelgeren (5) mot fronten av verktøyet (2. gir).

## Skruing

- ◆ Bruk alltid korrekt type og størrelse av skrutrekker-bit.
- ◆ Dersom skruene er vanskelig å trekke til, forsøk å påføre en liten mengde vaskemiddel eller såpe som smøring.
- ◆ Du skal alltid holde verktøyet og skrutrekkerbiten på rett linje med skruen

## Feilsøking

Problem	Mulig årsak	Mulig løsning
Enheten starter ikke.	Batteripakke ikke ladet.	Sjekk ladekravene for batteripakken
Batteripakke vil ikke lades.	Lader ikke plugget inn. Omgivelsesluften er for varm eller kald.	Plugg inn laderen i en fungerende stikkontakt. Flytt lader og batteripakke til et sted der lufttemperaturen er over 40 grader F (4,5°C) eller under 105 grader F (+40,5°C)
Enheten slår seg av plutselig.	Batteripakken har nådd maksimal temperaturgrense. Ikke ladet. (For maksimal levetid av batteripakken er den designet for å slå seg av plutselig ved lav lading)	La batteripakken kjøle seg ned. Sett på lader og lad opp.

## Vedlikehold

Ditt BLACK+DECKER-verktøy er designet for å brukes i en lang tidsperiode med et minimum av vedlikehold. Fortsatt tilfredsstillende ytelse avhenger av skikkelig ivaretagelse av verktøyet og regelmessig rengjøring.

Laderen trenger ikke vedlikehold bortsett fra regelmessig rengjøring.

**Advarsel!** Før du foretar vedlikehold på verktøyet, ta batteriet ut av verktøyet. Plugg ut laderen før du rengjør den.

- ◆ Rengjør ventilasjonshullene på verktøyet og laderen regelmessig ved bruk av en myk børste eller tørr klut.
- ◆ Rengjør motorhuset regelmessig ved bruk av en fuktig klut. Ikke bruk skure eller løsemiddelbaserte vaskemidler.
- ◆ Åpne chucken regelmessig og dunk lett på den for å fjerne alt støv fra innsiden.

## Miljøvern



Separat innsamling. Produkter og batterier som er merket med dette symbolet skal ikke kastes med vanlig husholdningsavfall.

Produkter og batterier inneholder materialer som kan resirkuleres eller gjenbrukes for å redusere etterspørselen for råmaterialer.

Resirkuler elektriske produkter og batterier i henhold til lover og regler. Ytterligere informasjon finner du på [www.2helpU.com](http://www.2helpU.com)

## Teknisk data

		BDASB18
Spenning	$V_{DC}$	18
Ubelastet hastighet	$Min^{-1}$	0 - 360/0 - 1400
Maks. moment	Nm	45
Chuck-kapasitet	mm	1-10
Maks. borekapasitet		
Stål/tre/murverk	mm	10/25/10
Vekt	kg	0,9 (med batteri 1,3)

Lader		90589867	90590287-06	90634971
Inngangsspenning	$V_{AC}$	230	230	230
Utgangsspenning	$V_{DC}$	18	18	18
Strøm	mA	200	400	1A
Omtrentlig ladetid	Timer	8	3 - 5	1,5

		BL1518
Spenning	$V_{AC}$	18
Kapasitet	Ah	1,5
Type		Li-ion

### Lydtrykknivå i henhold til EN 62841:

Lydtrykk ( $L_{pA}$ ) 87.5 dB(A), usikkerhet (K) 5 dB(A)

Lydeffekt ( $L_{WA}$ ) 98.5 dB(A), usikkerhet (K) 5 dB(A)

### Vibrasjon totalverdier (triaks vektorsum) i henhold til EN 62841:

Boring i betong ( $a_{n,rd}$ ) 14.2  $m/s^2$ , usikkerhet (K) 1.5  $m/s^2$

Boring i metall ( $a_{n,rd}$ ) 1.1  $m/s^2$ , usikkerhet (K) 1.5  $m/s^2$

## EU-samsvarserklæring

MASKINDIREKTIV



BDASB18 - Slagboremaskin

Black & Decker erklærer at disse produktene beskrevet under "teknisk data" er i samsvar med: 2006/42/EC, EN62841-1:2015 EN62841-2-1:2018+A11:2019.

Disse produktene samsvarer også med direktiv 2014/30/EU og 2011/65/EU. For mer informasjon, kontakt Black & Decker på følgende adresse eller se bakerst i bruksanvisningen.

Undertegnede er ansvarlig for opprettelse av teknisk dokumentasjon og avgir denne erklæringen på vegne av  
Black & Decker.

Ed Higgins

Director – Consumer Power Tools  
Black & Decker Europe, 270 Bath Road, Slough,  
Berkshire, SL1 4DX  
Storbritannia  
29/11/2019

## Garanti

Black & Decker er sikker på kvaliteten på sine produkter og tilbyr sine kunder en 24 måneders garanti fra kjøpsdato. Denne garantien kommer i tillegg til og kommer ikke i veien for dine lovbestemte rettigheter. Garantien er gyldig innen landområdene til medlemslandene i EU og i EØS.

For å benytte deg av garantien, må kravet være i henhold til Black & Decker vilkår og du må fremskaffe kjøpsbevis til forhandleren eller en autorisert reparasjonstekniker. Betingelser og vilkår av Black & Decker 2 års garanti og hvor du finner din nærmeste autoriserte reparasjonstekniker kan du finne på [www.2helpU.com](http://www.2helpU.com), eller ved å kontakte ditt lokale Black & Decker kontor på adressen i denne bruksanvisningen.

Besøk vår nettside [www.blackanddecker.no](http://www.blackanddecker.no) for å registrere ditt nye Black & Decker produkt og få oppdateringer om nye produkter og spesialtilbud.

## Przeznaczenie

Ta wiertarka udarowa BLACK+DECKER BDASB18V jest przeznaczona do wkręcania wkrętów i wiercenia w drewnie, metalu i murze. Opisywane urządzenie przeznaczone jest wyłącznie do użytku amatorskiego.

## Zasady bezpiecznej pracy

### Ogólne wskazówki dotyczące bezpiecznej pracy elektronarzędziami



**OSTRZEŻENIE** Przeczytaj wszystkie ostrzeżenia, instrukcje, ilustracje i specyfikacje bezpieczeństwa dostarczone z tym elektronarzędziem. Niestosowanie się do ostrzeżeń i zaleceń zawartych w tej instrukcji obsługi może być przyczyną porażenia prądem elektrycznym, pożaru i/lub poważnego zranienia.

Zachować wszystkie instrukcje i informacje dotyczące bezpiecznej pracy, aby móc korzystać z nich w przyszłości. Pojęcie „elektronarzędzie” używane w niniejszej instrukcji, oznacza narzędzie zasilane z sieci elektrycznej (przewodem zasilającym) lub akumulatorami (bezprowodowe).

### 1. Bezpieczeństwo w miejscu pracy

- a. **Miejsce pracy musi być czyste i dobrze oświetlone.** Miejsca ciemne i takie, w których panuje nieporządek, stwarzają ryzyko wypadku.
- b. **Nie wolno używać elektronarzędzi w strefach zagrożenia wybuchem, w pobliżu palnych cieczy, gazów, czy pyłów.** Elektronarzędzia mogą wytworzyć iskry powodujące zapłon pyłów lub oparów.
- c. **W czasie pracy elektronarzędziami nie pozwalać na przebywanie w pobliżu dzieci i innych osób postronnych.** Chwila nieuwagi może spowodować utratę kontroli nad narzędziem.

### 2. Ochrona przed porażeniem prądem elektrycznym

- a. **Gniazdo musi być dostosowane do wtyczki elektronarzędzia. Nie wolno przerabiać wtyczek. Nie używać żadnych łączników lub rozdzielaczy elektrycznych z uziemionymi elektronarzędziami.** Nieprzerabiane wtyczki i odpowiednie gniazda zmniejszają ryzyko porażenia prądem elektrycznym.
- b. **Należy unikać bezpośredniej styczności z uziemionymi lub zerowanymi powierzchniami, takimi jak rurociągi, grzejniki, kuchenki i lodówki.** Ryzyko porażenia prądem elektrycznym wzrasta, jeśli Twoje ciało jest uziemione.
- c. **Nie narażać elektronarzędzi na działanie deszczu lub zwiększonej wilgotności.**

- Woda, która dostanie się do wnętrza elektronarzędzia zwiększa ryzyko porażenia prądem elektrycznym.
- d. **Nie wolno ciągnąć za przewód zasilający. Nie wolno ciągnąć, podnosić ani wyciągać wtyczki z gniazda, poprzez ciągnięcie za kabel zasilający narzędzia. Chronić kabel zasilający przed kontaktem z gorącymi elementami, olejami, ostrymi krawędziami i ruchomymi częściami.** Uszkodzenie lub zapłatanie przewodu zasilającego zwiększa ryzyko porażenia prądem elektrycznym.
- e. **W czasie pracy elektronarzędziem poza pomieszczeniami zamkniętymi należy używać przystosowanych do tego przedłużaczy.** Korzystanie z przedłużaczy przystosowanych do użycia na zewnątrz budynków zmniejsza ryzyko porażenia prądem.
- f. **Jeśli zachodzi konieczność używania narzędzia w wilgotnym otoczeniu, należy używać źródła zasilania zabezpieczonego wyłącznikiem różnicowoprądowym.** Stosowanie wyłączników różnicowoprądowych zmniejsza ryzyko porażenia prądem elektrycznym.
3. **Środki ochrony osobistej**
- a. **W czasie pracy elektronarzędziem zachować czujność, patrzeć uważnie i kierować się zdrowym rozsądkiem. Nie używać elektronarzędzia w stanie zmęczenia, pod wpływem narkotyków, alkoholu lub leków.** Nawet chwila nieuwagi w czasie pracy elektronarzędziem może doprowadzić do poważnego uszkodzenia ciała.
- b. **Używać środków ochrony osobistej. Zawsze zakładać okulary ochronne.** Używanie, w miarę potrzeb, środków ochrony osobistej, takich jak maska przeciwpyłowa, buty ochronne z antypoślizgową podeszwą, kask czy ochronniki słuchu, zmniejsza ryzyko odniesienia uszczerbku na zdrowiu.
- c. **Zapobiegać przypadkowemu włączeniu. Przed przyłączeniem do zasilania i/lub włożeniem akumulatorów oraz przed podniesieniem i przenoszeniem narzędzia, upewnić się, że wyłącznik znajduje się w pozycji „wyłączone”.** Trzymanie palca na wyłączniku podczas przenoszenia lub podłączenia włączonego narzędzia do zasilania łatwo staje się przyczyną wypadków.
- d. **Przed włączeniem elektronarzędzia usunąć wszelkie klucze lub narzędzia do regulacji.** Klucz pozostawiony zamocowany do obrotowej części elektronarzędzia może spowodować obrażenia.
- e. **Nie wychylać się nadmiernie. Przez cały czas zachowywać solidne oparcie nóg i równowagę.** Dzięki temu ma się lepszą kontrolę nad elektronarzędziem w nieoczekiwanych sytuacjach.
- f. **Zakładać odpowiednią odzież. Nie nosić luźnych ubrań ani biżuterii. Trzymać włosy, ubranie i rękawice z dala od ruchomych elementów.**
- Luźne ubranie, biżuteria lub długie włosy mogą zostać pochwycone przez ruchome części.
- g. **Jeśli sprzęt jest przystosowany do przyłączenia urządzeń odprowadzających i zbierających pył, upewnić się, czy są one przyłączone i właściwie użytkowane.** Używanie takich urządzeń zmniejsza zagrożenia związane z obecnością pyłów.
- h. **Nie pozwól, aby znajomość zdobyta dzięki częstemu używaniu narzędzi pozwoliła ci popaść w samozadowolenie i zignorować zasady bezpieczeństwa narzędzi.** Nieostrożne działanie może spowodować poważne obrażenia w ułamku sekundy.
4. **Obsługa i konserwacja elektronarzędzi**
- a. **Nie przeciążać elektronarzędzia. Używać elektronarzędzi odpowiednich do rodzaju wykonywanej pracy.** Dzięki odpowiednim elektronarzędziom wykona się pracę lepiej i w sposób bezpieczny, w tempie, do jakiego narzędzie zostało zaprojektowane.
- b. **Nie wolno używać elektronarzędzia z zepsutym wyłącznikiem, który nie pozwala na sprawne włączanie i wyłączanie.** Narzędzie, którego nie można kontrolować za pomocą włącznika, nie może być używane i musi zostać naprawione.
- c. **Przed przystąpieniem do regulacji, wymiany akcesoriów oraz przed schowaniem elektronarzędzia, należy odłączyć wtyczkę od źródła zasilania i/lub odłączyć akumulator od urządzenia.** Takie środki zapobiegawcze zmniejszają ryzyko przypadkowego uruchomienia elektronarzędzia.
- d. **Nie używane elektronarzędzie przechowywać poza zasięgiem dzieci i nie dopuszczać osób nie znających elektronarzędzia lub tej instrukcji do posługiwania się elektronarzędziem.** Elektronarzędzia są niebezpieczne w rękach niewprawnego użytkownika.
- e. **Regularnie dokonywać konserwacji elektronarzędzi. Sprawdzić, czy ruchome części są właściwie połączone i zamocowane, czy części nie są uszkodzone oraz skontrolować wszelkie inne elementy mogące mieć wpływ na pracę elektronarzędzia. Wszystkie uszkodzenia należy naprawić przed rozpoczęciem użytkowania.** Wiele wypadków jest spowodowanych źle utrzymanymi elektronarzędziami.
- f. **Dbać o czystość narzędzi i ostrość elementów tnących.** Prawidłowo utrzymane narzędzia do cięcia o ostrych krawędziach tnących rzadziej się zakleszczają i są łatwiejsze do kontrolowania.
- g. **Elektronarzędzi, akcesoriów i końcówek itp., należy używać zgodnie z instrukcją obsługi, uwzględniając warunki i rodzaj wykonywanej pracy.** Użycie elektronarzędzi niezgodnie z przeznaczeniem może być bardzo niebezpieczne.

h. **Utrzymuj uchwyty i powierzchnie chwytające suche, czyste i wolne od oleju i smaru.** Śliskie uchwyty i powierzchnie chwytające nie pozwalają na bezpieczne przenoszenie i kontrolę narzędzia w nieoczekiwanych sytuacjach.

## 5. Użytkowanie i konserwacja narzędzi zasilanych akumulatorowo

- a. **Używać wyłącznie ładowarki zalecanej przez producenta.** Użycie ładowarki do ładowania akumulatorów innych niż dołączone, może stać się przyczyną pożaru.
- b. **Do zasilania elektronarzędzi należy używać właściwych rodzajów akumulatorów.** Użycie innych akumulatorów stwarza ryzyko zranienia i pożaru.
- c. **Nie używane akumulatory należy przechowywać z dala od metalowych przedmiotów, takich jak spinacze, biurowe, monety, klucze, gwoździe, wkręty, itp., które mogłyby doprowadzić do zwarcia biegunów.** Zwarcie biegunów może być przyczyną oparzenia lub pożaru.
- d. **W przypadku zniszczenia płyn może wypłynąć z akumulatora; unikać kontaktu z tą substancją. W razie styczności, obficie przemywać wodą. W przypadku dostania się płynu do oczu, dodatkowo należy zgłosić się do lekarza.** Płyn wydostający się z akumulatorów może powodować podrażnienia lub oparzenia.
- e. **Nie używaj akumulatora ani narzędzia, które jest uszkodzone lub zmodyfikowane.** Uszkodzone lub zmodyfikowane akumulatory mogą wykazywać nieprzewidziane zachowanie, powodując pożar, wybuch lub ryzyko obrażeń.
- f. **Nie narażaj akumulatora ani narzędzia na działanie ognia lub nadmiernej temperatury.** Ekspozycja na ogień lub temperaturę powyżej 130 ° C może spowodować wybuch.

**UWAGA** Temperaturę „130 ° C” można zastąpić temperaturą „265 ° F”.

- g. **Postępuj zgodnie ze wszystkimi instrukcjami ładowania i nie ładuj akumulatora ani narzędzia poza zakresem temperatur określonym w instrukcji.** Nieprawidłowe ładowanie lub w temperaturach poza podanym zakresem może uszkodzić akumulator i zwiększyć ryzyko pożaru.

## 6. Naprawy

- a. **Powierzaj naprawy elektronarzędzi wyłącznie osobom wykwalifikowanym, używającym identycznych części zamiennych.** Zagwarantuje to bezpieczeństwo elektronarzędzia.
- b. **Nigdy nie naprawiaj uszkodzonych akumulatorów.** Serwisowanie akumulatorów powinno być wykonywane wyłącznie przez producenta lub autoryzowanego dostawcę usług.

## Bezpieczne użytkowanie elektronarzędzi - wskazówki dodatkowe



**Ostrzeżenie!** Dodatkowe wskazówki dotyczące bezpiecznego użytkowania wiertarek

- ◆ **Podczas wiercenia udarowego zakładaj ochraniacze uszu.** Narażenie na hałas może powodować utratę słuchu.
- ◆ **Używać dostarczonych razem z narzędziem dodatkowych uchwytów.** Utrata kontroli nad narzędziem może spowodować uszkodzenie ciała.
- ◆ **Przed użyciem odpowiednio zamocuj narzędzie.** To narzędzie wytwarza wysoki wyjściowy moment obrotowy i bez odpowiedniego usztywnienia narzędzia podczas pracy może dojść do utraty kontroli, co może spowodować obrażenia ciała.
- ◆ **Trzymać elektronarzędzie tylko za izolowane uchwyty, jeśli wykonuje się pracę w miejscu, gdzie może dojść do zetknięcia elementu tnącego z ukrytymi przewodami.** Zetknięcie akcesorium tnącego z przewodem pod napięciem może spowodować pojawienie się napięcia na metalowych częściach obudowy i porażenie prądem operatora.
- ◆ **Trzymać elektronarzędzie tylko za izolowane uchwyty, jeśli wykonuje się pracę w miejscu, gdzie może dojść do zetknięcia elementu złącznego z ukrytymi przewodami.** Zetknięcie elementu złącznego z przewodem pod napięciem może spowodować pojawienie się napięcia na odsłoniętych metalowych częściach obudowy i porażenie prądem operatora.

## Instrukcje bezpieczeństwa dotyczące używania długich wiertel

- ◆ **Nigdy nie pracuj z prędkością wyższą niż maksymalna prędkość wiertła.** Przy wyższych prędkościach wiertło może się zgiać, jeśli będzie się swobodnie obracać bez dotykania przedmiotu obrabianego, co może spowodować obrażenia ciała.
- ◆ **Zawsze zaczynaj wiercić przy niskiej prędkości i z końcówką świda w kontakcie z przedmiotem obrabianym.** Przy wyższych prędkościach wiertło może się zgiać, jeśli będzie się swobodnie obracać bez dotykania przedmiotu obrabianego, co może spowodować obrażenia ciała.
- ◆ **Naciskaj tylko bezpośrednio w linii z bitem i nie wywieraj nadmiernego nacisku.** Bity mogą się zginać, powodując uszkodzenie lub utratę kontroli, co może spowodować obrażenia ciała.
- ◆ **Używać zacisków lub innego wygodnego sposobu zamocowania obrabianego elementu do stabilnego podłoża.** Trzymanie obrabianego elementu w rękach lub oparcie go o ciało nie daje dostatecznej stabilizacji i może spowodować utratę kontroli nad narzędziem.

- ◆ **Przed rozpoczęciem wiercenia w ścianach, podłodze czy suficie, ustalić położenie przewodów i rur.**
- ◆ **Nie dotykać końcówki wiertła bezpośrednio po zakończeniu wiercenia, ponieważ może być ona bardzo rozgrzana.**
- ◆ **Przeznaczenie urządzenia opisane jest w niniejszej instrukcji obsługi.** Używanie jakichkolwiek akcesoriów lub wykonywanie prac sprzecznych z przeznaczeniem opisywanym w instrukcji obsługi może powodować niebezpieczeństwo uszkodzenia ciała i/lub uszkodzenia mienia.

## Bezpieczeństwo osób postronnych

- ◆ Opisywane narzędzie nie może być używane przez osoby (dot. także dzieci), które mają ograniczone możliwości ruchowe, percepcji lub pojmowania lub brakuje im doświadczenia i wiedzy, z wyjątkiem przypadku, gdy pozostają one pod nadzorem osoby odpowiedzialnej za ich bezpieczeństwo lub zostały przez nią przeszkolone w zakresie obsługi urządzenia.
- ◆ Należy pilnować dzieci, aby nie bawiły się urządzeniem.

## Pozostałe zagrożenia

W czasie pracy narzędziem mogą powstać zagrożenia, które nie zostały uwzględnione w załączonej instrukcji dotyczącej bezpiecznego użytkownika. Zagrożenia te mogą wynikać z niewłaściwego użytkownika, zbyt intensywnej eksploatacji lub innych przyczyn.

Nawet w przypadku przestrzegania zasad bezpiecznej pracy i stosowania środków ochronnych, nie jest możliwe uniknięcie pewnych zagrożeń. Należą do nich:

- ◆ Zranienia wynikające z dotknięcia wirujących/ruchomych elementów.
- ◆ Obrażenia ciała w czasie wymiany części, ostrzy lub akcesoriów.
- ◆ Zranienia związane ze zbyt długotrwałym używaniem narzędzia. Pracując przez dłuższy czas jakimkolwiek narzędziem, należy robić regularne przerwy.
- ◆ Uszkodzenie słuchu.
- ◆ Zagrożenie dla zdrowia spowodowane wdychaniem pyłu wytwarzanego podczas użytkownika urządzenia (np.: podczas pracy w drewnie, szczególnie dębowym, bukowym oraz MDF).

## Drgania

Podawana w tabeli danych technicznych oraz w deklaracji zgodności z normami wartość drgań została zmierzona zgodnie ze standardową procedurą zawartą w normie EN 62841. Informacja ta może służyć do porównywania tego narzędzia z innymi. Deklarowana wartość emitowanych drgań może również służyć do przewidywania stopnia narażenia użytkownika na drgania.

**Ostrzeżenie!** Chwilowa siła drgań, występująca w czasie pracy elektronarzędziem, może odbiegać od podawanych wartości, w zależności od sposobu użytkownika urządzenia. Poziom drgań może przekroczyć podawaną wartość. Przy określaniu ekspozycji na drgania, w celu podjęcia środków ochrony osób zawodowo użytkujących elektronarzędzia, zgodnie z dyrektywą 2002/44/WE, należy uwzględnić rzeczywiste warunki i rodzaj wykonywanej pracy. Także okresy przestoju i pracy bez obciążenia.

## Symbol na urządzeniu

Następujące piktogramy są umieszczone na urządzeniu wraz z kodem daty:



**Ostrzeżenie!** Aby zminimalizować ryzyko zranienia, użytkownik musi zapoznać się z instrukcją obsługi.



W czasie pracy wiertarką udarową należy nosić ochronę słuchu.

Ekspozycja na hałas może powodować utratę słuchu.



Nie patrz na działającą lampę

## Dodatkowe wskazówki dotyczące bezpiecznego użytkownika akumulatorów i ładowarek

### Akumulatory

- ◆ Pod żadnym pozorem nie wolno otwierać akumulatorów.
- ◆ Nie wolno wystawiać akumulatorów na działanie wody.
- ◆ Nie wolno przechowywać w miejscach, w których temperatura może przekroczyć 40°C.
- ◆ Ładować tylko w zakresie temperatur od 10°C do 40°C.
- ◆ Do ładowania używać wyłącznie fabrycznie dołączonej ładowarki.
- ◆ Utylizację akumulatorów należy przeprowadzić zgodnie z instrukcją podaną w rozdziale „Ochrona środowiska”.



Nie wolno ładować uszkodzonych akumulatorów.

### Ładowarki

- ◆ Używać ładowarki BLACK+DECKER wyłącznie do ładowania akumulatora dołączonego do narzędzia. Ładowanie innych akumulatorów może spowodować ich rozsadzenie i być przyczyną zranienia oraz innych szkód.
- ◆ Nie wolno ładować baterii jednorazowego użytku, nie przeznaczonych do wielokrotnego ładowania.
- ◆ Wadliwe kable zasilające należy natychmiast wymieniać.
- ◆ Nie wystawiać ładowarki na działanie wody.
- ◆ Nie otwierać ładowarki.
- ◆ Nie podłączać do ładowarki mierników.



Ładowarka przeznaczona jest wyłącznie do użycia wewnątrz pomieszczeń.





Przed użyciem należy przeczytać instrukcję obsługi.

### Ochrona przed porażeniem prądem elektrycznym



Ładowarka ma podwójną izolację, dlatego też przewód uziemiający nie jest potrzebny. Należy zawsze upewnić się, czy napięcie zasilania odpowiada napięciu podanemu na tabliczce znamionowej. Nigdy nie próbować zastępować ładowarki zwykłą wtyczką zasilania sieciowego.

- ◆ Ze względów bezpieczeństwa wymianę uszkodzonego kabla zasilającego należy powierzyć producentowi lub autoryzowanemu centrum serwisowemu BLACK+DECKER.

### Wypożyczenie

Opisywane urządzenie wyposażone jest w kilka lub wszystkie z poniższych elementów.

1. Włącznik z regulacją prędkości
2. Przełącznik kierunku obrotów
3. Pierścień regulacji momentu obrotowego
4. Uchwyt bezkluczykowy
5. Dwa zakresy przełożeń
6. Oświetlenie LED
7. Akumulator
8. Przycisk zwalniania akumulatora

### Montaż

#### Eksplatacja

**Ostrzeżenie!** Uwzględniać tempo pracy urządzenia. Nie przeciążać narzędzia.

#### Ładowanie akumulatorów (rys. A1, A2)

Akumulator należy naładować przed pierwszym użyciem oraz zawsze wtedy, gdy jego moc spada i jest niewystarczająca do wykonywania przeciętnych zadań. W trakcie ładowania temperatura akumulatora może wzrastać; jest to normalne zjawisko i nie wskazuje na wystąpienie jakiegokolwiek problemu.

**Ostrzeżenie!** Nie wolno ładować akumulatorów przy temperaturze otoczenia poniżej 10°C lub powyżej 40°C. Zalecana temperatura ładowania to około 24°C.

**Uwaga:** Ładowarka nie będzie ładować akumulatora, jeśli temperatura ogniw wynosi poniżej około 10°C lub powyżej 40°C.

**Akumulator należy pozostawić w ładowarce, a ładowarka rozpocznie ładowanie automatycznie, gdy temperatura ogniw odpowiednio wzrośnie lub spadnie.**

- ◆ Podłączyć ładowarkę (9) do dowolnego standardowego gniazda sieciowego o napięciu 230 V i częstotliwości 50 Hz.
- ◆ Wsunąć akumulator (7) w ładowarkę zgodnie z rys. A1, A2.



Dioda LED (9a) będzie migać, wskazując na ładowanie akumulatora charged.



O zakończeniu ładowania informuje stałe światło diody LED (9a). Akumulator jest całkowicie naładowany i można go użyć od razu lub pozostawić w ładowarce.

**Ostrzeżenie!** Ryzyko pożaru. W przypadku wyjmowania akumulatora z ładowarki pamiętać, aby najpierw odłączyć ładowarkę od gniazda, a następnie wyjąć ładowarkę z narzędzia.

### Diagnostyka ładowarki

Ta ładowarka umożliwia wykrywanie występowania pewnych problemów dotyczących akumulatorów lub źródła zasilania. O problemach informuje dioda LED błyskająca na różne sposoby.

#### Problem z akumulatorem



Ładowarka może wykrywać rozładowany lub uszkodzony akumulator. Dioda LED miga w sposób podany na etykiecie. Jeśli zobaczy się taką sekwencję błysków, należy zaprzestać ładowania akumulatora. Przekazać akumulator do centrum serwisowego lub punktu zbiórki w celu recyklingu.

#### Wstrzymanie pracy z powodu zimnych/ gorących akumulatorów



Kiedy ładowarka wykryje, że akumulator jest za ciepły lub za zimny, automatycznie włącza opóźnienie ładowania gorącego/ zimnego akumulatora, wstrzymując ładowanie do momentu osiągnięcia odpowiedniej temperatury przez akumulator.

Następnie ładowarka automatycznie przełącza się na tryb ładowania akumulatora. Ta funkcja zapewnia maksymalną trwałość akumulatora. Dioda LED miga w sposób podany na etykiecie.

#### Pozostawianie akumulatora w ładowarce

Dopuszczalne jest pozostawienie akumulatora w ładowarce z włączoną diodą na stałe. Ładowarka będzie utrzymywać akumulator w stanie pełnego naładowania. Ta ładowarka jest wyposażona w tryb automatycznej regulacji, który wyrównuje lub bilansuje naładowanie poszczególnych ogniw akumulatora, zapewniając jego maksymalną wydajność. Akumulatory należy poddawać regulacji raz na tydzień lub za każdym razem, gdy akumulator nie starcza na tyle pracy, co zwykle. Aby użyć trybu automatycznej regulacji, włożyć akumulator do ładowarki i pozostawić na co najmniej 8 godzin.



## Ważne uwagi dotyczące ładowania

- ◆ Największą trwałość i najlepszą wydajność można uzyskać, ładując akumulator w temperaturze powietrza 18° - 24°C. NIE ładować akumulatora, gdy temperatura powietrza jest niższa od +4,5°C lub wyższa od +40°C. Przestrzeganie tego zalecenia jest ważne i pozwala zapobiegać poważnemu uszkodzeniu akumulatora.
- ◆ Ładowarka i akumulator mogą być ciepłe w dotyku podczas ładowania. Jest to normalne zjawisko i nie oznacza problemu. Aby ułatwić stygnięcie akumulatora po użyciu, unikać umieszczania ładowarki lub akumulatora w ciepłym miejscu, np. w metalowej szopie lub niezisolowanej przyczepie.
- ◆ Jeśli akumulator nie ładuje się poprawnie:
  - ◆ Sprawdzić działanie gniazdka, podłączając lampę lub inne urządzenie;
  - ◆ Sprawdzić, czy gniazdo jest podłączone do włącznika światła, który wyłącza zasilanie po wyłączeniu oświetlenia;
  - ◆ Przenieść ładowarkę i akumulator do miejsca, gdzie temperatura powietrza wynosi 18° - 24°C;
  - ◆ Jeśli problemy z ładowaniem utrzymują się, zanieść urządzenie, akumulator i ładowarkę do lokalnego serwisu.
- ◆ Akumulator ładować ponownie, gdy nie zapewnia wystarczającej mocy podczas zadań, które wcześniej można było wykonywać z łatwością. NIE KONTYNUOWAĆ użytkowania w takich warunkach. Postępować zgodnie z procedurą ładowania. Można również ładować częściowo rozładowany akumulator w dowolnej chwili i bez negatywnego wpływu na akumulator.
- ◆ Komory i otwory ładowarki należy chronić przed ciałami obcymi, które mogą przewodzić prąd, jak, w szczególności, pył powstający podczas szlifowania, metalowe wióry, wata stalowa, folia aluminiowa, nagromadzenie cząstek metalowych. Odłączyć ładowarkę od zasilania przed rozpoczęciem jej czyszczenia.
- ◆ Nie zamrażać ładowarki ani nie zanurzać jej w wodzie lub innych płynach.

## Wkładanie i wymowanie akumulatora do/z narzędzia (rys. B)

**Ostrzeżenie!** Dopilnować, aby przycisk blokady (2) był wciśnięty, aby zapobiec włączeniu narzędzia podczas wymowania lub wkładania akumulatora.

Aby włożyć akumulator:

- ◆ Wkładać akumulator (7) do narzędzia, aż do usłyszania kliknięcia (rys. B).

## Wymowanie akumulatora z narzędzia (rys. C)

- ◆ Wcisnąć przycisk zwalniania akumulatora (8) zgodnie z rys. C i wyjąć akumulator z narzędzia.

## Instrukcja obsługi

### Przełącznik spustowy i przycisk zmiany kierunku obrotów (rys. D)

- ◆ Wiertarkę włącza się i wyłącza, naciskając i zwalnając włącznik spustowy (1). Im mocniej spust zostanie wciśnięty, tym wyższa będzie prędkość obrotowa wiertarki.
- ◆ Przycisk kierunku obrotów (2) określa kierunek obrotów narzędzia i służy również jako przycisk blokady.
- ◆ Aby wybrać obroty w lewo, nacisnąć przełącznik spustowy i wcisnąć przełącznik kierunku obrotów w lewo.
- ◆ Aby wybrać obroty w prawo, nacisnąć przełącznik kierunku obrotów w przeciwnym kierunku.

**Uwaga:** Środkowe położenie przycisku kierunku obrotów blokuje narzędzie w położeniu wyłączonym. Podczas zmiany pozycji przełącznika blokady, włącznik spustowy nie może być wciśnięty.

### Regulacja momentu obrotowego (rys. E)

To narzędzie jest wyposażone w pierścien regulacji momentu obrotowego (3) służący do wyboru trybu pracy oraz do ustawienia momentu dokręcania śrub. Duże śruby oraz obrabiane elementy o dużej twardości wymagają zastosowania wyższego momentu niż mniejsze śruby oraz elementy z miękkiego materiału.

- ◆ W celu wiercenia w drewnie, metalu i tworzywach sztucznych, ustawić pierścien na położenie oznaczone symbolem wiercenia
- ◆ W przypadku wkręcania śrub ustawić pierścien w żądanym położeniu. Jeżeli prawidłowe ustawienie nie jest znane, zastosować następującą procedurę:
- ◆ Ustawić pierścien w położeniu najniższego momentu.
- ◆ Dokręcić pierwszą śrubę.
- ◆ Jeżeli przed całkowitym dokręceniem śruby sprężyło znacznie grzechotać, zwiększyć moment przez odpowiednie ustawienie pierścienia i dokręcić śrubę. Powtarzać ten krok, aż do uzyskania odpowiedniego ustawienia. Wykorzystać tak ustalone ustawienie do dokręcenia pozostałych śrub.

### Uchwyt bezkluczykowy (rys. F)

**Ostrzeżenie!** Dopilnować, aby przycisk blokady (2) był wciśnięty, aby zapobiec włączeniu narzędzia podczas wymowania lub wkładania akcesoriów.

Aby włożyć wiertło lub inną końcówkę:

- ◆ Chwycić tylną połowę uchwytu (4) jedną ręką, a drugą ręką obracać przednią połowę uchwytu przeciwnie do wskazówek zegara, patrząc od końca uchwytu.

- ◆ Włożyć wiertło lub inne narzędzie do oporu w uchwyt i mocno dokręcić uchwyt, trzymając za tylną połowę uchwytu i obracając przednią połową uchwytu zgodnie ze wskazówkami zegara, patrząc od końca uchwytu.

**Ostrzeżenie!** Nie podejmować prób dokręcenia wiertła (lub innych akcesoriów) poprzez chwytanie za przednią część uchwytu i włączanie narzędzia. Może dojść do uszkodzenia uchwytu i obrażeń ciała podczas wymiany akcesoriów.

### Dwa zakresy przełożenia (rysunek G)

Funkcja dwóch przełożeń narzędzia pozwala na zmianę biegów, co zwiększa jego wszechstronność. Aby wybrać ustawienie niskich obrotów i wysokiego momentu obrotowego (pozycja 1), wyłączyć narzędzie i poczekać, aż się zatrzyma. Przesunąć przełącznik (5) z dala od uchwytu. Aby wybrać ustawienie wysokich obrotów i niskiego momentu obrotowego (pozycja 2), wyłączyć narzędzie i poczekać, aż się zatrzyma.

Przesunąć przełącznik w kierunku uchwytu.

**Uwaga:** Nie zmieniać biegów podczas pracy narzędzia. Jeśli zmiana biegu jest utrudniona, sprawdzić, czy przełącznik zmiany biegów został do końca cofnięty lub przesunięty naprzód.

### Wiercenie/wkręcanie

- ◆ Wybrać kierunku obrotów za pomocą przełącznika kierunku obrotów (2).
- ◆ Aby włączyć narzędzie, nacisnąć włącznik (1). Prędkość obrotowa narzędzia zależy od głębokości wciśnięcia włącznika.
- ◆ Aby wyłączyć narzędzie, zwolnić przełącznik.

### Wskazówki praktyczne

#### Wiercenie

- ◆ Używać jedynie ostrych wiertel.
- ◆ Podobrać i zabezpieczyć odpowiednio obrabiany element, zgodnie z instrukcjami dotyczącymi bezpieczeństwa.
- ◆ Używać odpowiedniego i wymaganego wyposażenia zabezpieczającego, zgodnie z instrukcjami dotyczącymi bezpieczeństwa.
- ◆ Zabezpieczyć i oczyścić odpowiednio obszar pracy, zgodnie z instrukcjami dotyczącymi bezpieczeństwa.
- ◆ Rozpocząć wiercenie bardzo powoli, używając lekkiego nacisku, aż do powstania otworu o rozmiarze pozwalającym na to, aby wiertło się z niego nie wyslizgiwało i nie wyskakiwało.
- ◆ W czasie wiercenia naciskać wiertarkę prosto w osi wiertła. Naciskać z siłą wystarczającą, aby wiertło wgrzyzało się w materiał, ale nie naciskać wiertarki na tyle, aby dochodziło do utykania silnika lub ześlizgiwania się wiertła.

- ◆ Trzymać narzędzie mocno dwiema rękami, aby panować nad jego obrotami wokół własnej osi.
- ◆ **NIE NACISKAĆ RAZ ZA RAZEM WŁĄCZNIKA SPUSTOWEGO WIERTARKI, KTÓREJ SILNIK UTKNAŁ, PRÓBUJĄC JĄ URUCHOMIĆ. MOŻE TO SPOWODOWAĆ USZKODZENIE WIERTARKI.**
- ◆ Minimalizować utykanie w momencie przewiercenia, zmniejszając nacisk i powoli wierząc ostatni odcinek otworu.
- ◆ Wycofując wiertło z wywierconego otworu, utrzymywać włączony silnik. Pomoże to zredukować utykanie wiertła.
- ◆ Sprawdzić, czy włączanie i wyłączenie wiertarki jest możliwe.

### Wiercenie w drewnie

Otwory w drewnie można wykonać przy użyciu tych samych wiertel krętych, jakich używa się do metalu, lub wiertel piórkowych. Takie wiertła muszą być ostre i należy je często wymieniać podczas wiercenia w celu usuwania wiórów z piórek lub rowków.

### Wiercenie w metalu

Podczas wiercenia w metalu korzystać ze specjalnych płynów obróbkowych. Wyjątkiem jest wiercenie w żeliwie i mosiądzu, w których należy wiercić na sucho. W roli płynu obróbkowego najlepiej stosować olej siarkowany lub olej smalcowy.

### Wiercenie w murze

W przypadku wiercenia w murze, ustawić pierścień (3) w położeniu wiercenia z udarem, to znaczy z równać symbol ze znakiem młotka. Przesunąć regulator prędkości (5) w kierunku przedniej części narzędzia (2 bieg).

### Wkręcanie śrub

- ◆ Zawsze używać właściwego typu i rozmiaru końcówek.
- ◆ Jeśli występują trudności z dokręceniem wkrętów, można spróbować nałożyć małą ilość płynu do zmywania lub mydła jako smaru.
- ◆ Dbać o ustawienie narzędzia i końcówki wkręcającej w jednej linii prostej ze śrubą lub wkrętem

### Rozwiązywanie problemów

Problem	Prawdopodobna przyczyna	Propozycja rozwiązania
Urządzenie nie uruchamia się.	Akumulator nie naładowany.	Sprawdzić wymogi dotyczące ładowania akumulatora.
Akumulator nie ładuje się.	Ładowarka nie podłączona. Temperatura otoczenia za wysoka lub za niska.	Podłączyć ładowarkę do sprawnego gniazda. Przenieść ładowarkę i akumulator w miejsce z temperaturą powietrza powyżej 4,5°C lub poniżej 40,5°C.

Urządzenie nagle się wyłącza.	Akumulator osiągnął limit termiczny. Rozładowany akumulator. (Aby wydłużyć trwałość akumulatora, wyłącza się on nagle, gdy jest rozładowany)	Poczekać, aż akumulator ostygnie. Położyć na ładowarce i poczekać na naładowanie.
-------------------------------	--	---

## Konserwacja

Narzędzia BLACK+DECKER zostały zaprojektowane tak, aby zapewnić długieletnią, prawie bezobsługową, pracę urządzenia. Aby długo cieszyć się właściwą pracą urządzenia, należy odpowiednio o nie dbać i regularnie je czyścić.

Ładowarka nie wymaga, oprócz okresowego czyszczenia, żadnej dodatkowej konserwacji.

**Ostrzeżenie!** Przed przystąpieniem do konserwacji wyjąć akumulator z narzędzia. Przed czyszczeniem wyjąć wtyczkę ładowarki z gniazda zasilającego.

- ◆ Otwory wentylacyjne w narzędziu i ładowarce należy okresowo czyścić przy użyciu miękkiej szczoteczki lub kawałka suchej tkaniny.
- ◆ Regularnie czyścić obudowę silnika wilgotną ściereczką. Nie używać środków czyszczących ściernych ani zawierających rozpuszczalniki.
- ◆ Okresowo rozkręcać szczęki zaciskowe, aby usunąć zebrane wewnątrz zanieczyszczenia.

## Ochrona środowiska



Selektywna zbiórka odpadów. Produktów i akumulatorów oznaczonych tym symbolem nie wolno usuwać ze zwykłymi odpadami z gospodarstw domowych.

Produkty i akumulatory zawierają materiały, które można odzyskać lub poddać recyklingowi, zmniejszając zapotrzebowania na surowce. Oddawać produkty elektryczne i akumulatory do recyklingu zgodnie z krajowymi przepisami. Więcej danych na stronie [www.2helpU.com](http://www.2helpU.com)

## Dane techniczne

BDASB18		
Napięcie	$V_{\text{prądu stałego}}$	18
Obroty bez obciążenia	$\text{min}^{-1}$	0 - 360/0 - 1400
Maks. moment obrotowy	Nm	45
Rozmiar uchwytu	mm	1-10
Maksymalna średnica wiercenia		
Stal/drewno/mur	mm	10/25/10
Masa	kg	0,9 (1,3 z akumulatorem)

Ładowarka		90589867	90590287-06	90634971
Napięcie zasilania	$V_{\text{prądu zmiennego}}$	230	230	230
Napięcie wyjściowe	$V_{\text{prądu stałego}}$	18	18	18
Natężenie	mA	200	400	1 A
Przybliżony czas ładowania	Godziny	8	3 - 5	1,5

Akumulator		BL1518
Napięcie	$V_{AC}$	18
Pojemność	Ah	1,5
Typ		Li-Ion

### Poziom ciśnienia akustycznego zgodnie z EN 62841:

Ciśnienie akustyczne ( $L_{pA}$ ) 87,5 dB(A), niepewność (K) 5 dB(A)

Moc akustyczna ( $L_{WA}$ ) 98,5 dB(A), niepewność (K) 5 dB(A)

### Sumaryczna wielkość drgań (suma wektorów trzech osi) zgodnie z normą EN 62841:

Wiercenie w betonie ( $a_{h,io}$ ) 14,2  $m/s^2$ , niepewność (K) 1,5  $m/s^2$

Wiercenie w metalu ( $a_{h,io}$ ) 1,1  $m/s^2$ , niepewność (K) 1,5  $m/s^2$

## Deklaracja zgodności WE

DYREKTYWA MASZYNOWA



Wiertarka udarowa - BDASB18

Firma Black & Decker oświadcza, że produkty opisane pod „dane techniczne” są zgodne z następującymi przepisami: 2006/42/EC, EN62841-1:2015 EN62841-2-1:2018+A11:2019. Produkty te są również zgodne z zapisami dyrektyw 2014/30/UE oraz 2011/65/UE. Aby otrzymać więcej informacji, należy skontaktować się z firmą Black & Decker pod adresem podanym poniżej lub na końcu instrukcji.

Osoba niżej podpisana odpowiedzialna jest za zestawienie informacji technicznych i złożenie deklaracji zgodności w imieniu firmy Black & Decker.

Ed Higgins

Director – Consumer Power Tools  
Black & Decker Europe, 270 Bath Road, Slough,  
Berkshire, SL1 4DX  
Wielka Brytania  
29/11/2019

## Gwarancja

Firma Black & Decker jest pewna jakości swoich produktów i oferuje klientom 24 miesiące gwarancji od daty zakupu. Udzielona gwarancja stanowi rozszerzenie i w żaden sposób nie ogranicza ustawowych praw użytkowników. Gwarancja obowiązuje na terenie krajów członkowskich Unii Europejskiej i Europejskiej Strefy Wolnego Handlu.

Aby skorzystać z gwarancji, roszczenie gwarancyjne musi być zgodne z Warunkami Black & Decker i konieczne jest przedłożenie dowodu zakupu sprzedawcy lub pracownikowi autoryzowanego serwisu.

Warunki 2-letniej gwarancji Black & Decker oraz lokalizację najbliższego autoryzowanego serwisu można uzyskać na stronie internetowej [www.2helpU.com](http://www.2helpU.com) lub kontaktując się z lokalnym biurem Black & Decker pod adresem podanym w tej instrukcji.

Zapraszamy na naszą stronę internetową [www.blackanddecker.co.uk](http://www.blackanddecker.co.uk), aby zarejestrować swój produkt Black & Decker i otrzymywać informacje o nowych produktach i ofertach specjalnych.

## BLACK+DECKER

### WARUNKI GWARANCJI:

Produkty marki BLACK+DECKER reprezentują bardzo wysoką jakość, dlatego oferujemy dla nich korzystne warunki gwarancyjne. Niniejsze warunki gwarancji nie pomniejszają praw klienta wynikających z polskich regulacji ustawowych lecz są ich uzupełnieniem. Gwarancja jest ważna na terenie Rzeczypospolitej Polskiej.

BLACK+DECKER gwarantuje sprawne działanie produktu w przypadku postępowania zgodnego z warunkami techniczno-eksploatacyjnymi opisanymi w instrukcji obsługi.

Niniejszą gwarancją nie jest objęte dodatkowe wyposażenie, jeżeli nie została do niego dołączona oddzielna karta gwarancyjna oraz elementy wyrobu podlegające naturalnemu zużyciu.

1. Niniejszą gwarancją objęte są usterki produktu spowodowane wadami produkcyjnymi i wadami materiałowymi.
2. Niniejsza gwarancja jest ważna po przedstawieniu przez Klienta w Centralnym Serwisie Gwarancyjnym reklamowanego produktu oraz łącznie:
  - a) poprawnie wypełnionej karty gwarancyjnej;
  - b) ważnego paragonu zakupu z datą sprzedaży taką, jak w karcie gwarancyjnej lub kopii faktury.
3. Gwarancja obejmuje bezpłatną naprawę urządzenia (wraz z bezpłatną wymianą uszkodzonych części) w okresie 24 miesięcy od daty zakupu.
4. Produkt reklamowany musi być:
  - a) dostarczony bezpośrednio do Centralnego Serwisu Gwarancyjnego wraz z poprawnie wypełnioną Kartą Gwarancyjną i ważnym paragonem zakupu (lub kopią faktury) oraz szczegółowym opisem uszkodzenia, lub
  - b) przesłany do Centralnego Serwisu Gwarancyjnego za pośrednictwem punktu sprzedaży wraz z dokumentami wymienionymi powyżej.
5. Koszty wysyłki do Centralnego Serwisu Gwarancyjnego ponosi Serwis. Wszelkie koszty związane z zapewnieniem bezpiecznego opakowania, ubezpieczeniem i innym ryzykiem ponosi Klient. W przypadku odrzucenia roszczenia gwarancyjnego, produkt jest odesyłany do miejsca nadania na koszt adresata.
6. Usterki ujawnione w okresie gwarancji będą usunięte przez Centralny Serwis Gwarancyjny w terminie:
  - a) 14 dni roboczych od daty przyjęcia produktu przez Centralny Serwis Gwarancyjny;

- b) termin usunięcia wady (punkt 6a) może być wydłużony o czas niezbędny do importu niezbędnych części zamiennych.
7. Klient otrzyma nowy sprzęt, jeżeli:
- a) Centralny Serwis Gwarancyjny stwierdzi na piśmie, że usunięcie wady jest niemożliwe;
- b) produkt nie podlega naprawie, tylko wymianie bez dokonywania naprawy.
8. O ile taki sam produkt jest nieosiągalny, może być wydany nowy produkt o nie gorszych parametrach.
9. Decyzja Centralnego Serwisu Gwarancyjnego odnośnie zasadności zgłaszanych usterek jest decyzją ostateczną.
10. Gwarancją nie są objęte:
- a) wadliwe działanie lub uszkodzenia spowodowane niewłaściwym użytkowaniem lub użytkowaniem produktu niezgodnie z przeznaczeniem, instrukcją obsługi lub przepisami bezpieczeństwa. W szczególności profesjonalne użytkowanie amatorskich narzędzi BLACK+DECKER powoduje utratę gwarancji;
- b) wadliwe działanie lub uszkodzenia spowodowane przeciążaniem narzędzia, które prowadzi do uszkodzeń silnika, przekładni lub innych elementów a także stosowaniem osprzętu innego niż zalecany przez BLACK+DECKER;
- c) mechaniczne uszkodzenia produktu i wywołane nimi wady;
- d) wadliwe działanie lub uszkodzenia na skutek działania pożaru, powodzi, czy też innych klęsk żywiołowych, nieprzewidzianych wypadków, korozji, normalnego zużycia w eksploatacji czy też innych czynników zewnętrznych;
- e) produkty, w których naruszone zostały plomby gwarancyjne lub, które były naprawiane poza Centralnym Serwisem Gwarancyjnym lub były przerabiane w jakikolwiek sposób;
- f) osprzęt eksploatacyjny dołączony do urządzenia oraz elementy ulegające naturalnemu zużyciu.
11. Centralny Serwis Gwarancyjny, firmy handlowe, które sprzedały produkt, nie udzielają upoważnień ani gwarancji innych niż określone w karcie gwarancyjnej. W szczególności nie obejmują prawa klienta do domagania się zwrotu utraconych zysków w związku z uszkodzeniem produktu.
12. Gwarancja nie wyłącza, nie ogranicza ani nie zawieszają uprawnień kupującego wynikających z niezgodności towaru z umową.

**Centralny Serwis Gwarancyjny ERPATECH**  
**ul. Bakaliowa 26, 05-080 Mościska**  
**tel.: (22) 862-08-08, (22) 431-05-05**  
**faks: (22) 862-08-09**

## Utilização pretendida

A perfuradora de impacto BLACK+DECKER BDASB18V foi concebida para aparafusamento e perfuração em madeira, metal e alvenaria. Esta ferramenta foi concebida apenas para utilização por consumidores.

## Instruções de segurança

### Avisos de segurança gerais relativos a ferramentas eléctricas



**AVISO** Leia todos os avisos, instruções, ilustrações e especificações de segurança fornecidas com esta ferramenta eléctrica.

O não seguimento dos avisos e das instruções indicados abaixo poderá resultar em choque eléctrico, incêndio e/ou ferimentos graves.

#### 1. Segurança na área de trabalho

- a. **Mantenha a área de trabalho limpa e bem iluminada.** As áreas desorganizadas ou escuras são propensas a acidentes.
- b. **Não utilize as ferramentas eléctricas em ambientes explosivos, como, por exemplo, na presença de líquidos, gases ou poeiras inflamáveis.** As ferramentas eléctricas criam faíscas que poderão inflamar estas poeiras ou vapores.
- c. **Mantenha as crianças e outras pessoas à distância quando utilizar a ferramenta eléctrica.** As distrações podem levar à perda do controlo da ferramenta.

#### 2. Segurança eléctrica

- a. **As fichas das ferramentas eléctricas têm de ser compatíveis com a tomada de electricidade. Nunca modifique a ficha de forma alguma. Não utilize fichas adaptadoras com ferramentas eléctricas ligadas à terra.** As fichas não modificadas e as tomadas compatíveis reduzem o risco de choque eléctrico.
- b. **Evite o contacto corporal com superfícies e equipamentos ligados à terra, como, por exemplo, tubagens, radiadores, fogões e frigoríficos.** Se o seu corpo estiver "ligado" à terra, o risco de choque eléctrico é maior.
- c. **Não exponha as ferramentas eléctricas à chuva ou a condições de humidade.** A entrada de água numa ferramenta eléctrica aumenta o risco de choque eléctrico.
- d. **Não aplique força excessiva no cabo. Nunca o utilize para transportar, puxar ou desligar a ferramenta eléctrica. Mantenha o cabo afastado de fontes de calor, substâncias oleosas, extremidades aguçadas ou peças móveis.** Os cabos danificados ou emaranhados aumentam o risco de choque eléctrico.

- e. **Ao utilizar uma ferramenta eléctrica no exterior, use uma extensão adequada para utilização ao ar livre.**  
A utilização de um cabo adequado para uso ao ar livre reduz o risco de choque eléctrico.
- f. **Se não for possível evitar trabalhar com uma ferramenta eléctrica num local húmido, utilize uma fonte de alimentação protegida por um dispositivo de corrente residual (DCR).** A utilização de um DCR reduz o risco de choque eléctrico.
- 3. Segurança pessoal**
- a. **Mantenha-se atento, preste atenção ao que está a fazer e faça uso de bom senso ao operar uma ferramenta eléctrica. Não utilize a ferramenta eléctrica quando estiver cansado ou sob o efeito de drogas, álcool ou medicamentos.** Um momento de distração durante a utilização de ferramentas eléctricas poderá resultar em ferimentos graves.
- b. **Use equipamento de protecção pessoal. Use sempre protecção ocular.** O equipamento de protecção, como, por exemplo, uma máscara contra o pó, sapatos de segurança antiderrapantes, um capacete de segurança ou uma protecção auditiva, usado nas condições apropriadas, reduz o risco de ferimentos.
- c. **Evite accionamentos acidentais. Certifique-se de que o interruptor da ferramenta está na posição de desligado antes de a ligar à tomada de electricidade e/ou inserir a bateria, ou antes de pegar ou transportar a ferramenta.** Se mantiver o dedo sobre o interruptor ao transportar ferramentas eléctricas ou se as ligar à fonte de alimentação com o interruptor ligado, poderá originar acidentes.
- d. **Retire qualquer chave de ajuste ou chave de porcas antes de ligar a ferramenta eléctrica.** Uma chave de porcas ou chave de ajuste deixada numa peça móvel da ferramenta poderá resultar em ferimentos.
- e. **Não se estique demasiado ao trabalhar com a ferramenta. Mantenha sempre os pés bem apoiados e um equilíbrio apropriado.** Desta forma, será mais fácil controlar a ferramenta eléctrica em situações inesperadas.
- f. **Use vestuário adequado. Não use roupa larga ou jóias. Mantenha o cabelo, a roupa e as luvas afastados das peças móveis.** As roupas largas, as jóias ou o cabelo comprido podem ficar presos nestas peças.
- g. **Se forem fornecidos acessórios para a ligação de equipamentos de extracção e recolha de partículas, certifique-se de que estes são ligados e utilizados correctamente.**  
A utilização de dispositivos de extracção de partículas pode reduzir os riscos relacionados com as mesmas.
- h. **Não permita que a familiaridade adquirida com o uso frequente de ferramentas permita que você se torne complacente e ignore os princípios de segurança da ferramenta.** Uma ação descuidada pode causar ferimentos graves em uma fração de segundo.
- 4. Utilização e cuidados a ter com a ferramenta**
- a. **Não utilize a ferramenta eléctrica de forma forçada. Utilize a ferramenta eléctrica correcta para o seu trabalho.**  
A ferramenta eléctrica adequada irá efectuar o trabalho de um modo mais eficiente e seguro se for utilizada de acordo com a capacidade para a qual foi concebida.
- b. **Não utilize a ferramenta eléctrica se o interruptor não a ligar e desligar.** Qualquer ferramenta eléctrica que não possa ser controlada através do interruptor de alimentação é perigosa e tem de ser reparada.
- c. **Retire a ficha da tomada de electricidade e/ou a bateria da ferramenta eléctrica antes de efectuar quaisquer ajustes, substituir acessórios ou guardar a ferramenta.** Estas medidas de segurança preventivas reduzem o risco de ligar a ferramenta eléctrica acidentalmente.
- d. **Guarde as ferramentas eléctricas que não estiverem a ser utilizadas fora do alcance de crianças e não permita que sejam utilizadas por pessoas não familiarizadas com as mesmas ou com estas instruções.** As ferramentas eléctricas são perigosas nas mãos de pessoas que não possuam as qualificações necessárias para as manusear.
- e. **Faça a devida manutenção das ferramentas eléctricas. Verifique se as peças móveis da ferramenta eléctrica estão alinhadas e não emperram, bem como se existem peças partidas ou danificadas ou quaisquer outras condições que possam afectar o funcionamento da mesma. Se a ferramenta eléctrica estiver danificada, esta não deve ser utilizada até que seja reparada.** Muitos acidentes são causados por ferramentas eléctricas com uma manutenção insuficiente.
- f. **Mantenha as ferramentas de corte sempre afiadas e limpas.** As ferramentas de corte sujeitas a uma manutenção adequada, com arestas de corte afiadas, emperram com menos frequência e são mais fáceis de controlar.
- g. **Utilize a ferramenta eléctrica, os acessórios, as brocas, etc., de acordo com estas instruções, tendo em conta as condições de trabalho e a tarefa a ser efectuada.**  
A utilização da ferramenta eléctrica para fins diferentes dos previstos poderá resultar em situações perigosas.
- h. **Mantenha as alças e as superfícies de agarrar secas, limpas e livres de óleo e graxa.** Pegas escorregadias e superfícies de prensão não permitem manuseio e controle seguros da ferramenta em situações inesperadas.



## 5. Utilização e cuidados a ter com a ferramenta com baterias

- a. **Recarregue apenas com o carregador especificado pelo fabricante.**  
Um carregador adequado para um tipo de bateria pode causar um incêndio se for utilizado com outra bateria.
- b. **Utilize as ferramentas eléctricas apenas com as baterias concebidas especificamente para o efeito.**  
A utilização de outro tipo de baterias pode causar ferimentos e incêndio.
- c. **Quando não utilizar a bateria, mantenha-a afastada de outros objectos metálicos, tais como cliques para papel, moedas, chaves, pregos, parafusos ou outros pequenos objectos metálicos que permitam fazer a ligação de um terminal para outro.** O curto-circuito dos terminais da bateria pode causar queimaduras ou um incêndio.
- d. **Em condições abusivas, pode derramar líquido da bateria, devendo evitar o contacto. Se tocar acidentalmente no líquido, lave bem com água. Se o líquido entrar em contacto com os olhos, consulte um médico.**  
O líquido derramado da bateria pode causar irritação ou queimaduras.
- e. **Não use uma bateria ou ferramenta que esteja danificada ou modificada.** Baterias danificadas ou modificadas podem exibir um comportamento imprevisível, resultando em incêndio, explosão ou risco de ferimentos.
- f. **Não exponha a bateria ou a ferramenta a fogo ou temperatura excessiva.** Exposição ao fogo ou temperatura acima de 130 ° C pode causar explosão.

**NOTA** A temperatura "130 ° C" pode ser substituída pela temperatura "265 ° F".

- g. **Siga todas as instruções de carregamento e não carregue a bateria ou a ferramenta fora da faixa de temperatura especificada nas instruções.**  
Carregar incorretamente ou a temperaturas fora da faixa especificada pode danificar a bateria e aumentar o risco de incêndio.
- ## 6. Assistência
- a. **A ferramenta eléctrica só deve ser reparada por um técnico qualificado e só devem ser utilizadas peças sobresselentes originais.** Desta forma, é garantida a segurança da ferramenta eléctrica.
  - b. **Nunca faça a manutenção de baterias danificadas.**  
A manutenção das baterias só deve ser realizada pelo fabricante ou por prestadores de serviços autorizados.

## Avisos de segurança adicionais para ferramentas eléctricas



**Atenção!** Instruções de segurança adicionais para berbequins

- ◆ **Use protetores auriculares ao perfurar com impacto.**  
Exposição ao ruído pode causar perda auditiva.
- ◆ **Utilize as pegas auxiliares fornecidas com a ferramenta.** A perda de controlo pode causar lesões pessoais.
- ◆ **Prepare a ferramenta corretamente antes de usar.**  
Esta ferramenta produz um alto torque de saída e, sem apoiá-la adequadamente durante a operação, pode ocorrer perda de controlo, resultando em ferimentos pessoais.
- ◆ **Segure a ferramenta eléctrica apenas pelas superfícies isoladas específicas para o efeito ao efectuar uma operação em que o acessório de corte possa entrar em contacto com fios ocultos.**  
O acessório de corte que entre em contacto com um fio sob tensão eléctrica poderão fazer com que as peças de metal expostas da ferramenta conduzam electricidade e electrocitem o utilizador.
- ◆ **Segure a ferramenta eléctrica pelas superfícies isoladas específicas para o efeito ao efectuar uma operação em que o parafuso de fixação possa entrar em contacto com fios ocultos.** Os parafusos de fixação que entrem em contacto com um fio sob tensão eléctrica poderão fazer com que as peças de metal expostas da ferramenta conduzam electricidade e electrocitem o utilizador.

## Instruções de segurança ao usar brocas longas

- ◆ **Nunca opere em velocidade mais alta que a classificação máxima de velocidade da broca.** Em velocidades mais altas, é provável que a broca se dobre se for permitido girar livremente sem entrar em contato com a peça, resultando em ferimentos pessoais.
- ◆ **Sempre comece a perfurar em baixa velocidade e com a ponta da broca em contato com a peça de trabalho.** Em velocidades mais altas, é provável que a broca se dobre se for permitido girar livremente sem entrar em contato com a peça, resultando em ferimentos pessoais.
- ◆ **Aplique pressão apenas em linha direta com a broca e não aplique pressão excessiva.** Os bits podem se dobrar, causando quebra ou perda de controlo, resultando em ferimentos pessoais.
- ◆ **Utilize grampos ou outro sistema prático para fixar e apoiar a peça numa plataforma estável.**  
Segurar a peça com a mão ou contra o corpo pode causar instabilidade e perda de controlo.
- ◆ **Antes de perfurar em paredes, pisos ou tectos, verifique onde estão instalados a cablagem e a canalização.**
- ◆ **Imediatamente depois de perfurar, evite tocar na ponta da broca, porque pode ficar quente.**



- ◆ **A utilização adequada é descrita neste manual de instruções.** O uso de qualquer acessório ou o desempenho de qualquer operação com esta ferramenta, que não seja o recomendado neste manual de instruções pode constituir um risco em termos de ferimentos e/ou danos materiais.

### Segurança de terceiros

- ◆ Esta ferramenta não foi concebida para ser utilizada por pessoas (incluindo crianças) com capacidades físicas, sensoriais ou mentais reduzidas ou com falta de experiência e conhecimentos, a menos que sejam acompanhadas ou tenham recebido formação sobre a utilização desta ferramenta por uma pessoa responsável pela sua segurança.
- ◆ As crianças devem ser vigiadas, para garantir que não brincam com o equipamento.

### Riscos residuais

Quando utilizar a ferramenta, podem ocorrer riscos residuais adicionais que podem não estar incluídos nos avisos de segurança afixados. Estes riscos podem resultar em caso de utilização indevida, uso prolongado, etc. Mesmo com a aplicação dos regulamentos de segurança relevantes e da implementação de dispositivos de segurança, alguns riscos residuais não podem ser evitados. Estes incluem:

- ◆ Ferimentos causados quando toca nas partes rotativas/móveis.
- ◆ Ferimentos causados ao substituir as peças, lâminas ou acessórios.
- ◆ Ferimentos causados por utilização prolongada de uma ferramenta. Quando utilizar uma ferramenta durante períodos prolongados, faça pausas frequentes.
- ◆ Danos auditivos.
- ◆ Perigos para a saúde provocados pela inalação de poeiras produzidas quando utilizar a ferramenta (exemplo: trabalhos com madeira, especialmente carvalho, faia e placas de fibra de densidade média).

### Vibração

Os valores declarados da emissão de vibração indicados nos dados técnicos e na declaração de conformidade foram medidos de acordo com um método de ensaio padrão fornecidos pela EN 62841 e podem ser utilizados para a comparação de uma ferramenta com outra. O valor da emissão de vibração declarado também pode ser utilizado para uma avaliação preliminar da exposição.

**Atenção!** O valor da emissão de vibração durante a utilização da ferramenta eléctrica pode ser diferente do valor declarado, dependendo da maneira como a ferramenta é utilizada. O nível de vibração pode ser superior ao nível indicado.

Quando avaliar a exposição à vibração para determinar as medidas de segurança exigidas pela 2002/44/CE com o intuito de proteger as pessoas que utilizam ferramentas eléctricas com regularidade para fins profissionais, deve considerar fazer uma estimativa da exposição à vibração. As condições de utilização e a maneira como a ferramenta é utilizada, tendo em conta todas as etapas do ciclo de funcionamento, como, por exemplo, quando a ferramenta é desligada e quando está a funcionar ao ralenti, além do tempo de activação.

### Etiquetas colocadas na ferramenta

Os seguintes símbolos são apresentados na ferramenta, assim como o código de data:



**Atenção!** Para reduzir o risco de ferimentos, o utilizador deve ler o manual de instruções.



Use protecção auricular quando utilizar perfuradoras de impacto.  
A exposição ao ruído pode causar perda auditiva.  
Não olhe fixamente para a lâmpada de operação



### Instruções de segurança adicionais para baterias e carregadores

#### Baterias

- ◆ Nunca tente abrir a bateria, seja qual for o motivo.
- ◆ Não exponha a bateria a água.
- ◆ Não armazena a bateria num local exposto a temperaturas superiores a 40 °C.
- ◆ Só deve carregá-la a uma temperatura ambiente entre 10 °C e 40 °C.
- ◆ Só deve carregar a bateria com o carregador fornecido com a ferramenta.
- ◆ Quando deitar fora as baterias, siga as instruções indicadas na secção "Proteger o ambiente".



Não carregue baterias danificadas.

#### Carregadores

- ◆ Utilize apenas o carregador da BLACK+DECKER para carregar a bateria fornecida com a ferramenta. Outras baterias podem rebentar, causando ferimentos e danos.
- ◆ Nunca tente recarregar as baterias não recarregáveis.
- ◆ Os cabos defeituosos devem ser substituídos de imediato.
- ◆ Não exponha o carregador a água.
- ◆ Não abra o carregador.
- ◆ Não perfure o carregador.



O carregador foi concebido apenas para uso em interior.



Leia o manual de instruções antes de utilizar este equipamento.

## Segurança eléctrica



O carregador tem isolamento duplo, por conseguinte não é necessário um fio de terra. Verifique sempre se a tensão de corrente corresponde à tensão indicada na placa sinalética. Nunca substitua a unidade do carregador por uma ficha de corrente comum.

- ◆ Se o cabo de alimentação estiver danificado, deve ser substituído pelo fabricante ou por um centro de assistência autorizada da BLACK+DECKER para evitar situações de risco.

## Funções

Esta ferramenta inclui parte ou todas as funções que se seguem.

1. Interruptor de velocidade variável
2. Cursor de avanço/recuo
3. Anel de ajuste do binário
4. Mandril sem chave
5. Engrenagem de duas velocidades
6. Indicador luminoso LED
7. Bateria
8. Patilha de libertação das baterias

## Montagem

### Utilização

**Atenção!** Deixe a ferramenta funcionar ao seu próprio ritmo. Não sobrecarregue a ferramenta.

### Carregar a bateria (Fig. A1, A2)

A bateria tem de ser carregada antes da primeira utilização e se não produzir energia suficiente para tarefas que eram efectuadas antes com facilidade. A bateria pode ficar quente durante o carregamento. Isto é normal e não é sinal de problema.

**Atenção!** Não carregue a bateria a uma temperatura ambiente inferior a 10 °C ou superior a 40 °C. Temperatura de carregamento recomendada: cerca de 24 °C.

**Nota: O carregador não carrega a bateria se a respectiva temperatura for inferior a cerca de 10 °C ou superior a 40 °C.**

**A bateria deve permanecer no carregador e este inicia o carregamento automaticamente se a temperatura da bateria aquecer ou arrefecer.**

- ◆ Ligue o carregador (9) a uma tomada eléctrica padrão de 230 volts, 50 Hz.
- ◆ Desligue a bateria (7) para dentro do carregador, como indicado na Fig. A1, A2.



O LED (9a) começa a piscar, indicando que a bateria está a ser carregada.



A conclusão do processo de carga é indicada pelo LED (9a), que permanece ligado de maneira contínua. A bateria fica totalmente carregada e pode ser utilizada nesta altura ou pode deixá-la no carregador.

**Atenção!** Risco de incêndio. Se retirar a bateria do carregador, certifique-se de que desliga primeiro o carregador da tomada e depois retira a bateria do carregador.

### Diagnóstico do carregador

Este carregador foi concebido para detectar determinados problemas que podem surgir com as baterias ou a fonte de alimentação. Os problemas são indicados por um LED intermitente em vários padrões.

### Bateria defeituosa



O carregador pode detectar se a bateria está danificada ou se a carga está reduzida.

O LED começa a piscar de acordo com o padrão indicado na etiqueta. Se aparecer este padrão de intermitência de bateria defeituosa, pare o processo de carga da bateria. Entregue-a num centro de assistência ou num ponto de recolha para reciclagem.

### Atraso da bateria quente/fria



Quando o carregador detecta que uma bateria está demasiado quente ou fria, inicia de imediato o Atraso de bateria quente/fria, suspendendo o processo de carga até a temperatura da bateria atingir o valor normal. Depois de isto ocorrer, o carregador muda automaticamente para o modo de Carregamento da bateria. Esta funcionalidade assegura a vida útil máxima da bateria.

O indicador luminoso começa a piscar de acordo com o padrão indicado na etiqueta.

### Deixar a bateria no carregador

O carregador e a bateria podem permanecer ligados com o LED a piscar de maneira indefinida. O carregador mantém a bateria fresca e totalmente carregada. Este carregador inclui um modo de regulação automática que equivale e equilibra as células individuais na bateria para que possam funcionar à capacidade máxima.

As baterias devem ser reguladas todas as semanas ou se não apresentarem o mesmo desempenho. Para utilizar o modo de regulação, coloque a bateria no carregador e deixe-a assim durante pelo menos 8 horas.

### Notas importantes sobre carregamento

- ◆ É possível obter uma vida útil mais prolongada e um melhor desempenho se a bateria for carregada a uma temperatura ambiente entre 18 ° – 24 °C. NÃO carregue a bateria a uma temperatura ambiente inferior a +4,5 °C ou superior a +40 °C. Isto é importante e impede a ocorrência de danos graves na bateria.
- ◆ O carregador e a bateria podem ficar quentes durante o processo de carregamento. Isto é normal e não indica uma situação anormal. Para facilitar o arrefecimento da bateria após a utilização, evite colocar o carregador ou a bateria num ambiente quente, por exemplo, num barracão de metal ou num atrelado sem isolamento.
- ◆ Se a bateria não carregar correctamente:
  - ◆ Insira uma lâmpada ou outro dispositivo na tomada para verificar se esta está a funcionar correctamente;
  - ◆ Verifique se a tomada está ligada a um interruptor de luz que desliga a corrente quando desliga as luzes;
  - ◆ Coloque o carregador e a bateria num local onde a temperatura ambiente em redor seja cerca de 18 ° e 24 °C;
  - ◆ Se os problemas de carregamento persistir, leve a ferramenta, a bateria e o carregador a um centro de assistência local.
- ◆ A bateria deve ser recarregada se não produzir energia suficiente para tarefas que eram efectuadas antes com facilidade. NÃO CONTINUE a utilizar a bateria nestas condições. Siga o procedimento de carregamento. Também pode carregar uma bateria parcialmente usada sempre que necessário sem efeitos adversos na bateria.
- ◆ Materiais estranhos de natureza condutora, tais como, mas não limitados a, pó polido, aparas de metal, lâ de aço, alumínio em folha ou qualquer acumulação de partículas metálicas devem ser mantidos afastados do compartimento do carregador. Desligue o carregador antes de proceder à limpeza.
- ◆ Não congele ou mergulhe o carregador dentro de água ou de qualquer outro líquido.

### Inserir e retirar a bateria da ferramenta (Fig. B)

**Atenção!** Antes de retirar ou instalar a bateria, certifique-se de que o botão de desbloqueio (2) está engatado para evitar a activação do interruptor.

Para instalar a bateria:

- ◆ Insira a bateria (7) na ferramenta até ouvir um clique (Fig. B)

### Retirar a bateria da ferramenta (Fig. C)

- ◆ Pressione o botão de libertação da bateria (8), como indicado na (Fig. C) e retire a bateria da ferramenta.

### Instruções de funcionamento

#### Interruptor do gatilho e botão de recuo (Fig. D)

- ◆ A perfuradora liga-se e desliga-se se pressionar e libertar o gatilho (1).

Quanto maior for a pressão no gatilho, maior a velocidade da perfuradora.

- ◆ O botão de controlo de avanço/recuo (2) determina a direcção da ferramenta e funciona também como botão de bloqueio.
- ◆ Para seleccionar a marcha directa, liberte o gatilho e prima o botão de controlo de avanço/recuo no lado esquerdo da ferramenta.
- ◆ Para seleccionar a marcha inversa, pressione o botão de controlo de avanço/recuo na direcção oposta.

**Nota:** A posição central do botão de controlo bloqueia a ferramenta na posição Desligar. Se alterar a posição do botão de controlo, certifique-se de que liberta o interruptor.

#### Controlo do binário (Fig. E)

A ferramenta está equipada com um anel de ajuste do binário (3) para seleccionar o modo de funcionamento e para definir o binário de aperto dos parafusos. Os parafusos grandes e as peças de trabalho duras requerem um binário de aperto superior ao dos parafusos pequenos e das peças de trabalho macias.

- ◆ Para perfurar madeira, metal e plástico, coloque o anel no símbolo da posição de perfuração
- ◆ Para aparafusar, coloque o anel na definição pretendida. Se não souber qual é a definição adequada, proceda do seguinte modo:
  - ◆ Coloque o anel na definição de binário mais reduzida.
  - ◆ Aperte o primeiro parafuso.
  - ◆ Se a embraiagem engranar antes de ser obtido o resultado pretendido, aumente a definição do anel e continue a apertar o parafuso. Repita até obter a definição pretendida. Utilize esta definição para os parafusos restantes.

#### Mandril sem chave (Fig. F)

**Atenção!** Antes de instalar ou retirar acessórios, certifique-se de que o botão de desbloqueio (2) está engatado para evitar a activação do interruptor.

Para inserir uma broca ou outro acessório:

- ◆ Agarre na parte traseira do mandril (4) com uma mão e, com a outra mão, rode a parte frontal para a esquerda, tal como visualizado da perspectiva da extremidade do mandril.
- ◆ Insira a broca ou outro acessório por completo no mandril, e aperte com firmeza, segurando na parte traseira do mandril e rodando a parte frontal para a direita, tal como visualizado da perspectiva da extremidade do mandril.

**Atenção!** Não tente apertar as brocas (ou qualquer outro acessório) segurando na parte frontal do mandril e ligando a ferramenta. Quando substituir os acessórios, podem ocorrer danos no mandril e ferimentos.

## Engrenagem de duas velocidades (Figura G)

A função de duas velocidades do seu berbequim permite mudar de velocidade para uma maior versatilidade. Para seleccionar a velocidade reduzida, regulação de binário elevado (posição 1), desligue a ferramenta e deixe-a a rodar até parar. Faça deslizar o botão de mudança de velocidade (5) no sentido oposto ao do mandril. Para seleccionar a velocidade elevada, regulação de binário baixo (posição 2), desligue a ferramenta e deixe-a a rodar até parar. Faça deslizar o botão de mudança de velocidade na direcção do mandril.

**Nota:** Não altere a velocidade quando a ferramenta estiver em funcionamento. Se tiver dificuldade em mudar de velocidade, certifique-se de que o botão de mudança de velocidade dupla está totalmente empurrado para a frente ou para trás.

## Perfuração/aparafusamento

- ◆ Selecione a rotação para a frente ou trás com o curso de avanço/recuo (2).
- ◆ Para ligar a ferramenta, prima o interruptor (1). A velocidade da ferramenta depende da pressão que exercer no interruptor.
- ◆ Para desligar a ferramenta, liberte o interruptor.

## Sugestões para uma excelente utilização

### Perfuração

- ◆ Utilize apenas brocas afiadas.
- ◆ Apoie e fixe a peça de trabalho correctamente, como indicado nas instruções de segurança.
- ◆ Utilize equipamento de segurança adequado e obrigatório, como indicado nas instruções de segurança.
- ◆ Fixe e mantenha a área de trabalho, como indicado nas instruções de segurança.
- ◆ Ligue a aparafusadora com uma definição muito baixa e uma pressão ligeira até obter um orifício com um tamanho suficiente que impeça que a broca deslize.
- ◆ Aplique pressão numa linha recta com a broca. Aplique pressão suficiente para perfurar com a broca, mas não a empurre demasiado, porque o motor pode bloquear ou a broca pode desvia-se.
- ◆ Segure a ferramenta firmemente com ambas as mãos, de modo a controlar a acção de torção da broca.
- ◆ **NÃO PRESSIONE E LIBERTE O GATILHO DE UMA PERFURADORA ENCRAVADA PARA TENTAR UTILIZÁ-LA. PODEM DANIFICAR A PERFURADORA.**
- ◆ Minimize o encravamento, reduzindo a pressão e perfurando lentamente na última parte do orifício.
- ◆ Mantenha o motor em funcionamento quando retirar a broca de um orifício perfurado. Isto impede que a broca fique encravada.
- ◆ Certifique-se de que o interruptor liga e desliga a perfuradora.

## Perfurar em madeira

Os orifícios na madeira podem ser feitos com as brocas torcidas para metal ou com brocas achatadas. Estas brocas devem estar afiadas e retiradas com frequência quando retirar limalhas das estrias.

## Perfurar em metal

Utilize um lubrificante de corte para perfuração de metais. As excepções incluem ferro fundido e latão, que devem ser perfurados a seco. Os lubrificantes de corte mais adequados são óleo de corte sulfurado ou óleo de banha.

## Perfurar em alvenaria

Para perfurar em alvenaria, coloque o anel (3) na posição de perfuração com martelo, alinhando o símbolo com a marca. Deslize o selector de velocidade (5) na direcção da parte da frente da ferramenta (2.ª velocidade).

## Aparafusamento

- ◆ Utilize sempre o tipo e o tamanho correctos da broca da lâmina da chave de fendas.
- ◆ Se for difícil apertar os parafusos, aplique uma pequena quantidade de líquido de lavagem ou de sabão como lubrificante.
- ◆ Segure sempre a ferramenta e a lâmina da chave de fendas em linha recta com o parafuso.

## Resolução de problemas

Problema	Causa possível	Solução possível
A unidade não arranca.	A bateria não está carregada.	Verifique os requisitos de carregamento da bateria
A bateria não carrega.	O carregador não está ligado.  A temperatura ambiente está demasiado quente ou fria.	Ligue o carregador a uma tomada eléctrica.  Coloque o carregador e a bateria num local com uma temperatura ambiente superior a 40 graus F (4,5 °C) ou inferior a 105 graus F (+40,5 °C)
A unidade desliga-se de maneira abrupta.	A bateria atingiu o limite térmico máximo.  Sem carga. (Para maximizar a duração da bateria, esta foi concebida para desligar-se de maneira abrupta quando a carga chega ao fim)	Deixe a bateria a arrefecer.  Coloque-a no carregador e deixe-a a carregar.

## Manutenção

A ferramenta eléctrica da BLACK+DECKER foi concebida para funcionar durante um longo período de tempo com uma manutenção mínima. Uma utilização continuamente satisfatória depende de uma manutenção apropriada da ferramenta e de uma limpeza regular. O carregador não requer manutenção, além da limpeza normal.

**Atenção!** Antes de efetuar qualquer tarefa de manutenção, retire a bateria da ferramenta. Desligue o carregador antes de limpá-lo.

- ◆ Limpe com regularidade as aberturas de ventilação da ferramenta e o carregador com uma escova macia ou um pano seco.
- ◆ Limpe com regularidade o compartimento do motor com um pano húmido.  
Não utilize produtos de limpeza abrasivos ou à base de solventes.
- ◆ Abra com regularidade o mandril e bata para retirar qualquer poeira do interior.

**Proteger o ambiente**



Recolha selectiva. Os produtos e baterias assinalados com este símbolo não devem ser eliminados em conjunto com o lixo doméstico normal.

Os produtos e baterias contêm materiais que podem ser recuperados ou reciclados, reduzindo a procura de matéria-prima. Recicle os produtos eléctricos e as baterias de acordo com as disposições locais. Estão disponíveis mais informações em [www.2helpU.com](http://www.2helpU.com)

**Dados técnicos**

BDASB18		
Tensão	V <sub>CC</sub>	18
Velocidade sem carga	Min. <sup>-1</sup>	0 - 360/0 - 1400
Binário máximo	Nm	45
Capacidade do mandril	mm	1-10
<b>Capacidade máxima de perfuração</b>		
Aço/madeira/alvenaria	mm	10/25/10
Peso	kg	0,9 (com bateria, 1,3)

Carregador		90589867	90590287-06	90634971
Tensão de entrada	V <sub>CA</sub>	230	230	230
Tensão de saída	V <sub>CC</sub>	18	18	18
Corrente	mA	200	400	1 A
Tempo aproximado de carga	Horas	8	3 - 5	1,5

Bateria BL1518		
Tensão	V <sub>CA</sub>	18
Capacidade	Ah	1,5
Tipo	lões de lítio	

Nível de pressão acústica de acordo com a EN 62841:	
Pressão acústica (L <sub>pa</sub> )	87,5 dB(A), variabilidade (K) 5 dB(A)
Potência acústica (L <sub>wa</sub> )	98,5 dB(A), variabilidade (K) 5 dB(A)

Valores totais de vibração (soma vectorial triaxial) em conformidade com a norma EN 62841:	
Perfuração em betão (a <sub>n,ISO</sub> )	14,2 m/s <sup>2</sup> , variabilidade (K) 1,5 m/s <sup>2</sup>
Perfuração em metal (a <sub>n,ISO</sub> )	1,1 m/s <sup>2</sup> , variabilidade (K) 1,5 m/s <sup>2</sup>

**Declaração de conformidade da CE**  
DIRECTIVA "MÁQUINAS"



Perfuradora de impacto - BDASB18

A Black & Decker declara que os produtos descritos em "dados técnicos" se encontram em conformidade com as seguintes normas e directivas: 2006/42/EC, EN62841-1:2015 EN62841-2-1:2018+A11:2019.

Estes produtos estão também em conformidade com as directivas 2014/30/UE e 2011/65/UE. Para obter mais informações, contacte a Black & Decker através da morada indicada em seguida ou consulte o verso do manual. O abaixo assinado é responsável pela compilação do ficheiro técnico e faz esta declaração em nome da Black & Decker.

Ed Higgins  
Director – Consumer Power Tools  
Black & Decker Europe, 270 Bath Road, Slough,  
Berkshire, SL1 4DX  
Reino Unido  
29/11/2019

**Garantia**

A Black & Decker confia na qualidade dos seus produtos e oferece aos consumidores uma garantia de 24 meses a partir da data de compra. Esta garantia é um suplemento e não afecta de modo algum os seus direitos estatutários. A garantia é válida nos Estados-membros da União Europeia e nos países-membros da Zona Europeia de Comércio Livre. Para reclamar a garantia, esta deve estar em conformidade com os termos e condições da Black & Decker e terá de apresentar o comprovativo de compra ao revendedor ou a um técnico de reparação autorizado. Os termos e condições da garantia de 2 anos da Black & Decker e a localização do técnico de reparação autorizado mais próximo pode ser obtido na Internet em [www.2helpU.com](http://www.2helpU.com). Pode também contactar o seu escritório da Black & Decker local através da morada indicada neste manual.

Visite o nosso Website [www.blackanddecker.co.uk](http://www.blackanddecker.co.uk) para registar o seu novo produto da Black & Decker e receba actualizações sobre novos produtos e ofertas especiais.

## Použitie výrobku

Vaša prikleповá vrtačka BLACK+DECKER BDASB18V je určená na skrútkovanie a na vrávanie do dreva, kovu a muriva. Toto náradie je určené iba na spotrebiteľské použitie.

## Bezpečnostné pokyny

### Všeobecné bezpečnostné pokyny pre prácu s elektrickým náradím



**VÝSTRAHA** Prečítajte si všetky bezpečnostné varovania, pokyny, ilustrácie a technické údaje dodané s týmto elektrickým náradím.

Nedodržanie nižšie uvedených varovaní a pokynov môže viesť k spôsobeniu úrazu elektrickým prúdom, k vzniku požiaru alebo k vážnemu zraneniu.

**Všetky bezpečnostné varovania a pokyny uschovajte na budúce použitie.** Termín „elektrické náradie“ vo všetkých upozorneniach odkazuje na Vaše náradie napájané zo siete (je vybavené prívodným káblom) alebo náradie napájané akumulátorom (bez prívodného kábla).

#### 1. Bezpečnosť v pracovnom priestore

- Udržujte pracovný priestor čistý a dobre osvetlený.** Preplnený a neosvetlený pracovný priestor môže viesť k spôsobeniu úrazov.
- Nepracujte s elektrickým náradím vo výbušnom prostredí, ako sú napríklad priestory s výskytom horľavých kvapalín, plynov alebo prašných látok.** V elektrickom náradí dochádza k iskreniu, ktoré môže spôsobiť vznietenie horľavého prachu alebo výparov.
- Pri práci s elektrickým náradím zaistíte bezpečnú vzdialenosť detí a ostatných osôb.** Rozptyľovanie môže spôsobiť stratu kontroly nad náradím.

#### 2. Elektrická bezpečnosť

- Zástrčka prívodného kábla náradia musí zodpovedať zásuvke. Zástrčku nikdy žiadnym spôsobom neupravujte. Nepoužívajte pri uzemnenom elektrickom náradí žiadne upravené zástrčky.** Neupravené zástrčky a zodpovedajúce zásuvky znižujú riziko vzniku úrazu elektrickým prúdom.
- Nedotýkajte sa uzemnených povrchov, ako sú napríklad potrubia, radiátory, elektrické sporáky a chladničky.** Pri uzemnení Vášho tela vzrastá riziko úrazu elektrickým prúdom.
- Nevystavujte elektrické náradie dažďu alebo vlhkému prostrediu.** Ak vnikne do elektrického náradia voda, zvýši sa riziko úrazu elektrickým prúdom.
- S prívodným káblom zaobchádzajte opatrne. Nikdy nepoužívajte prívodný kábel na prenášanie alebo posúvanie náradia a neťahajte zaň, ak chcete náradie odpojiť od elektrickej siete.**

**Zabráňte kontaktu kábla s masťnými, horúcimi a ostrými predmetmi alebo pohyblivými časťami.** Poškodený alebo zapletený prívodný kábel zvyšuje riziko vzniku úrazu elektrickým prúdom.

- Pri práci s náradím vonku používajte predlžovacie káble určené na vonkajšie použitie.** Práca s káblom na vonkajšie použitie znižuje riziko úrazu elektrickým prúdom.
  - Ak musíte s elektrickým náradím pracovať vo vlhkom prostredí, použite napájaci zdroj s prúdovým chráničom (RCD).** Použitie prúdového chrániča (RCD) znižuje riziko úrazu elektrickým prúdom.
- ### 3. Bezpečnosť osôb
- Pri použití elektrického náradia zostaňte stále pozorní, sledujte, čo robíte a pracujte s rozvahou. Nepoužívajte elektrické náradie, ak ste unavení alebo ak ste pod vplyvom drog, alkoholu alebo liekov.** Chvilka nepozornosti pri práci s elektrickým náradím môže viesť k vážnemu zraneniu.
  - Používajte prvky osobnej ochrany. Vždy používajte ochranu zraku.** Ochranné prostriedky ako respirátor, protišmyková pracovná obuv, prilba a chrániče sluchu, používané v príslušných podmienkach, znižujú riziko poranenia osôb.
  - Zabráňte náhodnému zapnutiu náradia. Pred pripojením zdroja napätia alebo pred vložením akumulátora a pred zdvihnutím alebo prenášaním náradia skontrolujte, či je vypínač v polohe vypnutý.** Prenášanie elektrického náradia s prstom na vypínači alebo pripojenie náradia k napájaciemu zdroju, ak je vypínač náradia v polohe zapnuté, môže spôsobiť úraz.
  - Pred spustením z náradia vždy odstráňte všetky kľúče alebo nastavovacie prípravky.** Nastavovacie kľúče ponechané na náradí môžu byť zachytené rotujúcimi časťami náradia a môžu spôsobiť úraz.
  - Neprekážajte sami sebe. Pri práci vždy udržiavajte vhodný postoj a rovnováhu.** Tak je umožnená lepšia ovládateľnosť náradia v neočakávaných situáciách.
  - Vhodne sa obliekajte. Nenoste voľný odev alebo šperky. Dbajte na to, aby sa Vaše vlasy, odev a rukavice nedostali do kontaktu s pohyblivými časťami.** Voľný odev, šperky alebo dlhé vlasy môžu byť pohyblivými dielmi zachytené.
  - Ak sú zariadenia vybavené adaptérom na pripojenie príslušenstva na zachytávanie prachu, zaistíte jeho správne pripojenie a riadnu funkciu.** Použitie týchto zariadení môže znížiť nebezpečenstvo týkajúce sa prachu.
  - Nenechajte sa obznámiť s častým používaním nástrojov, aby ste sa stali spokojnými a ignorovali zásady bezpečnosti nástrojov.** Neopatrné konanie môže spôsobiť vážne zranenie za zlomok sekundy.



4. **Použitie elektrického náradia a jeho údržba**
  - a. **Nepreťažujte elektrické náradie. Používajte na vykonávanú prácu správny typ náradia.** Pri použití správneho typu náradia bude práca vykonávaná lepšie a bezpečnejšie.
  - b. **Ak nie je možné vypínač náradia zapnúť a vypnúť, s náradím nepracujte.** Každé elektrické náradie s nefunkčným vypínačom je nebezpečné a musí sa opraviť.
  - c. **Pred nastavovaním náradia, pred výmenou príslušenstva alebo ak náradie nepoužívate, odpojte zástrčku prírodného kábla od zásuvky alebo z náradia vyberte akumulátor.** Tieto preventívne bezpečnostné opatrenia znižujú riziko náhodného zapnutia náradia.
  - d. **Uložte elektrické náradie mimo dosahu detí a nedovoľte ostatným osobám, ktoré toto náradie nevedia ovládať, alebo ktoré nepoznajú tieto bezpečnostné pokyny, aby s týmto elektrickým náradím pracovali.** Elektrické náradie je v rukách nekvalifikovanej obsluhy nebezpečné.
  - e. **Vykonávajte údržbu elektrického náradia. Skontrolujte vychýlenie alebo zablokovanie pohyblivých častí, poškodenie jednotlivých dielov a iné okolnosti, ktoré môžu ovplyvniť chod náradia. Ak je náradie poškodené, nechajte ho opraviť.** Mnoho nehôd býva spôsobených zanedbanou údržbou náradia.
  - f. **Rezné nástroje udržiavajte ostré a čisté.** Riadne udržiavané rezné nástroje s ostrými reznými čepeľami sú menej náchylné na zablokovanie a lepšie sa s nimi pracuje.
  - g. **Používajte toto elektrické náradie, príslušenstvo a pracovné nástroje podľa týchto pokynov a berte do úvahy prevádzkové podmienky a prácu, ktorá sa bude vykonávať.** Použitie elektrického náradia na iné účely, než na aké je určené, môže byť nebezpečné.
  - h. **Rukoväte a uchopovacie povrchy udržiavajte suché, čisté a bez oleja a masťoty.** Klzké držiadlá a uchopovacie povrchy neumožňujú bezpečnú manipuláciu a kontrolu nad náradím v neočakávaných situáciách.
5. **Použitie akumulátorového náradia a jeho údržba**
  - a. **Nabíjajte iba v nabíjačke určenej výrobcom.** Nabíjačka vhodná pre jeden typ akumulátora môže pri vložení iného nevhodného typu spôsobiť požiar.
  - b. **Používajte elektrické náradie výhradne s akumulátormi, ktoré sú určené pre daný typ náradia.** Použitie iných typov akumulátorov môže spôsobiť vznik požiaru alebo zranenie.
  - c. **Ak sa akumulátor nepoužíva, uložte ho mimo dosahu kovových predmetov, ako sú kancelárske sponky na papier, mince, kľúče, klince, skrutky alebo ďalšie drobné kovové predmety, ktoré môžu spôsobiť skratovanie kontaktov akumulátora.** Skratovanie kontaktov akumulátora môže viesť k vzniku popálenín alebo požiaru.

- d. **V nevhodných podmienkach môže z akumulátora unikáť kvapalina. Vyvarujte sa kontaktu s touto kvapalinou. Ak dôjde k náhodnému kontaktu s touto kvapalinou, zasiahnuté miesto omyte vodou. Pri zasiahnutí očí zasiahnuté miesto umyte a vyhľadajte lekársku pomoc.** Unikajúca kvapalina z akumulátora môže spôsobiť podráždenie pokožky alebo popáleniny.
- e. **Nepoužívajte batériu alebo náradie, ktoré je poškodené alebo upravené.** Poškodené alebo upravené batérie môžu vykazovať nepredvídateľné správanie, ktoré môže spôsobiť požiar, výbuch alebo riziko zranenia.
- f. **Nevystavujte akumulátor alebo náradie ohňu alebo nadmernej teplote.** Vystavenie ohňu alebo teplote nad 130 ° C môže spôsobiť výbuch.

**POZNÁMKA** Teplota „130 ° C“ môže byť nahradená teplotou „265 ° F“.

- g. **Postupujte podľa všetkých pokynov na nabíjanie a nenabíjajte batériu ani náradie mimo teplotného rozsahu uvedeného v pokynoch.** Nesprávne nabíjanie alebo pri teplotách mimo stanoveného rozsahu môže poškodiť batériu a zvýšiť riziko požiaru.

## 6. Servis

- a. **Opravy elektrického náradia zverte iba kvalifikovanému technikovi, ktorý bude používať originálne náhradné diely.** Tým zaistíte bezpečnú prevádzku náradia.
- b. **Poškodené batérie nikdy neopravujte.** Servis batérií by mal vykonávať iba výrobca alebo autorizovaní poskytovatelia služieb.

## Doplňkové bezpečnostné pokyny na prácu s elektrickým náradím



**Varovanie!** Ďalšie bezpečnostné pokyny pre vŕtačky

- ◆ **Pri vŕtaní s príklepom noste chrániče sluchu.** Vystavenie hluku môže spôsobiť stratu sluchu.
- ◆ **Používajte prídavné rukoväti dodávané s náradím.** Strata kontroly nad náradím môže viesť k úrazu.
- ◆ **Pred použitím náradie riadne pritiahnite.** Tento nástroj vytvára vysoký výstupný krútiaci moment a bez správneho vystuženia počas prevádzky môže dôjsť k strate kontroly, ktorá môže mať za následok zranenie osôb.
- ◆ **Pri pracovných operáciách, pri ktorých by mohlo dôjsť ku kontaktu pracovného nástroja so skrytými elektrickými vodičmi, držte elektrické náradie vždy za izolované rukoväti.** Pri kontakte pracovného príslušenstva so „živým“ vodičom spôsobia neizolované kovové časti náradia obsluhu úraz elektrickým prúdom.

- ◆ **Pri pracovných operáciách, pri ktorých by mohlo dôjsť ku kontaktu montážneho prvku so skrytými elektrickými vodičmi, držte elektrické náradie vždy za izolované rukoväti.** Montážne prvky, ktoré sa dostanú do kontaktu so „živým“ vodičom, spôsobia, že neizolované kovové časti elektrického náradia budú tiež „živé“, čo môže obsluhu spôsobiť úraz elektrickým prúdom.

### Bezpečnostné pokyny pri používaní dlhých vrtákov

- ◆ **Nikdy nepracujte pri vyšších rýchlostiach, ako je maximálna rýchlosť vrtáka.** Pri vyšších rýchlostiach sa vrták pravdepodobne ohne, ak sa môže voľne otáčať bez kontaktu s obrobkom, čo vedie k zraneniu osôb.
- ◆ **Vrtanie začinite vždy pri nízkych otáčkach a so špičkou vrtáka v kontakte s obrobkom.** Pri vyšších rýchlostiach sa vrták pravdepodobne ohne, ak sa môže voľne otáčať bez kontaktu s obrobkom, čo vedie k zraneniu osôb.
- ◆ **Tlak vyvíjajte iba v priamom smere k vrtáku a nevyvíjajte nadmerný tlak.** Bity sa môžu ohýbať a spôsobí tak zlomenie alebo stratu kontroly, čo môže mať za následok zranenie osôb.
- ◆ **Na zaistenie a upnutie obrobku k pracovnému stolu používajte svorky alebo iné vhodné prostriedky.** Držanie obrobku rukou alebo opretie obrobku o časť tela zníži jeho stabilitu a môže viesť k strate kontroly.
- ◆ **Pred vrtaním do stien, podláh alebo stropov zistite polohu elektrických vedení a potrubí.**
- ◆ **Nedotýkajte sa vrtáka ihneď po ukončení vrtania, pretože môže byť horúci.**
- ◆ **V tomto návode je popísané určené použitie tohto náradia.** Použitie iného príslušenstva alebo prídavného zariadenia a vykonávanie iných pracovných operácií než odporúča tento návod, môže predstavovať riziko zranenia obsluhu alebo riziko spôsobenia hmotných škôd.

### Bezpečnosť ostatných osôb

- ◆ Toto náradie nie je určené na použitie osobami (vrátane detí) so zníženými fyzickými, zmyslovými alebo duševnými schopnosťami, alebo s nedostatkom skúsenosti a znalostí, ak týmto osobám nebol stanovený dohľad, alebo ak im neboli poskytnuté inštrukcie týkajúce sa použitia výrobku osobou zodpovednou za ich bezpečnosť.
- ◆ Deti musia byť pod dozorom, aby bolo zaistené, že sa s týmto zariadením nebudú hrať.

### Zvyškové riziká

Ak sa toto zariadenie používa iným spôsobom, než je uvedené v priložených bezpečnostných varovaniach, môžu sa objaviť dodatočné zvyškové riziká. Tieto riziká môžu vzniknúť v dôsledku nesprávneho použitia, dlhodobého použitia atď.

Napriek tomu, že sa dodržiavajú príslušné bezpečnostné predpisy a používajú sa bezpečnostné zariadenia, určité zvyškové riziká sa nemôžu vylúčiť. Tieto riziká sú nasledujúce:

- ◆ Zranenia spôsobené kontaktom s akoukoľvek rotujúcou alebo pohybujúcou sa časťou.
- ◆ Zranenia spôsobené pri výmene dielov, nožov alebo príslušenstva.
- ◆ Zranenia spôsobené dlhodobým použitím náradia. Ak používate akékoľvek náradie dlhší čas, zaistíte, aby sa robili pravidelné prestávky.
- ◆ Poškodenie sluchu.
- ◆ Zdravotné riziká spôsobené vdychovaním prachu vytváraného pri použití náradia (napríklad práca s drevom, najmä s dubovým, bukovým a MDF).

### Vibrácie

Deklarovaná úroveň vibrácií uvedená v technických údajoch a vo vyhlásení o zhode bola meraná v súlade so štandardnou skúšobnou metódou predpísanou normou EN 62841 a môže sa použiť na porovnanie jednotlivých náradí medzi sebou. Deklarovaná úroveň vibrácií sa môže tiež použiť na predbežné stanovenie času práce s týmto náradím.

**Varovanie!** Úroveň vibrácií pri aktuálnom použití elektrického náradia sa môže od deklarovanej úrovne vibrácií líšiť v závislosti od spôsobu použitia náradia. Úroveň vibrácií môže byť vzhľadom na uvedenú hodnotu vyššia.

Pri stanovení času pôsobenia vibrácií z dôvodu určenia bezpečnostných opatrení podľa požiadaviek normy 2002/44/EC na ochranu osôb pravidelne používajúcich elektrické náradie v zamestnaní, musí predbežný odhad pôsobenia vibrácií brať na zreteľ aktuálne podmienky použitia náradia s prihliadnutím na všetky časti pracovného cyklu, ako sú časy, keď je náradie vypnuté a keď beží naprázdno.

### Štítky na náradí

Na náradí sú spoločne s dátumovým kódom zobrazené nasledujúce piktogramy:



**Varovanie!** Z dôvodu zníženia rizika spôsobenia úrazu si používateľ musí prečítať návod na použitie.



Pri práci s týmto náradím používajte ochranu sluchu. Nadmerná hlučnosť môže spôsobiť stratu sluchu.



Nepozeralajte sa na prevádzkové svetlo

## Ďalšie bezpečnostné pokyny pre akumulátory a nabíjačky

### Akumulátory

- ◆ Nikdy sa nepokúšajte o rozoberanie.
- ◆ Zabráňte kontaktu s vodou.
- ◆ Neskladujte na miestach, kde môže teplota presiahnuť 40 °C.
- ◆ Nabíjajte iba pri teplotách v rozsahu od 10 °C do 40 °C.
- ◆ Nabíjajte iba nabíjačkou dodanou s náradím.
- ◆ Pri likvidácii akumulátorov sa vždy riadte pokynmi, ktoré sú uvedené v časti „Ochrana životného prostredia“.



Nepokúšajte sa nabíjať poškodené akumulátory.

### Nabíjačky

- ◆ Na nabíjanie akumulátora dodaného s týmto náradím používajte iba nabíjačku BLACK+DECKER. Iné akumulátory môžu prasknúť a spôsobiť zranenia alebo iné škody.
- ◆ Nikdy sa nepokúšajte nabíjať akumulátory, ktoré nie sú na nabíjanie určené.
- ◆ Poškodené káble ihneď vymeňte.
- ◆ Zabráňte kontaktu nabíjačky s vodou.
- ◆ Nepokúšajte sa nabíjačku demontovať.
- ◆ Nepokúšajte sa do nabíjačky preniknúť.



Táto nabíjačka nie je určená na vonkajšie použitie.



Pred použitím si pozorne prečítajte tento návod.

### Elektrická bezpečnosť



Táto nabíjačka je opatrená dvojistou izoláciou. Preto nie je nutné použiť uzemňovací vodič. Vždy skontrolujte, či napätie v elektrickej sieti zodpovedá napätiu uvedenému na výkonovom štítku. Nikdy sa nepokúšajte nahradiť nabíjačku priamym pripojením k sieťovej zásuvke.

- ◆ Ak je poškodený prívodný kábel, musí ho vymeniť výrobca alebo autorizovaný servis BLACK+DECKER, aby sa zabránilo možným rizikám.

### Popis

Tento výrobok sa skladá z niektorých alebo zo všetkých nasledujúcich častí.

1. Spínač s plynulou reguláciou otáčok
2. Prepínač pravého/ľavého chodu
3. Objímka na nastavenie krútiaceho momentu
4. Rychloupevňovacie skľučovadlo
5. Duálny volič prevodových stupňov

6. LED pracovné svetidlo
7. Akumulátory
8. Uvoľňovacie tlačidlo akumulátora

### Zostavenie

### Použitie

**Varovanie!** Nechajte náradie pracovať jeho vlastným tempom. Zamedzte preťažovaniu.

### Nabíjanie akumulátora (obr. A1, A2)

Akumulátor je nutné nabiť pred prvým použitím a vždy, keď počas práce dôjde k výraznému poklesu jeho výkonu. Akumulátor sa môže počas nabíjania zahrievať. Ide o normálny stav, ktorý neznamená žiadny problém.

**Varovanie!** Nenabíjajte akumulátor, ak okolitá teplota klesne pod 10 °C alebo ak presiahne 40 °C. Odporúčaná teplota prostredia na nabíjanie: približne 24 °C.

**Poznámka: Nabíjačka nebude nabíjať akumulátor, ak je teplota jeho článku nižšia než asi 10 °C alebo vyššia než 40 °C.**

**Akumulátor je nutné ponechať v nabíjačke a nabíjačka ho začne znovu automaticky nabíjať, hneď ako sa teplota článkov akumulátora zvýši alebo zníži.**

- ◆ Pripojte nabíjačku (9) k akejkoľvek štandardnej elektrickej zásuvke s napájacím napätím 230 V a frekvenciou 50 Hz.
- ◆ Zasuňte akumulátor (7) do nabíjačky, ako je zobrazené na obr. A1, A2.



LED indikátor (9a) bude blikať, čo bude indikovať prebiehajúce nabíjanie.



Ukončenie nabíjania je indikované neprerušovaným svietením LED indikátora (9a). Akumulátor je celkom nabitý a môže sa vybrať z nabíjačky alebo sa môže ponechať v nabíjačke.

**Varovanie!** Nebezpečenstvo vzniku požiaru. Pri vyberaní akumulátora z nabíjačky sa uistite, či je najskôr odpojená nabíjačka od sieťovej zásuvky a potom vyberte akumulátor z nabíjačky.

### Diagnostická funkcia nabíjačky

Táto nabíjačka je určená na detegovanie určitých problémov, ktoré sa môžu

objaviť na akumulátore alebo napájacom zdroji. Problémy sú indikované rôznymi spôsobmi blikania LED indikátora.

### Chybný akumulátor



Táto nabíjačka môže detegovať slabý alebo poškodený akumulátor. LED indikátor bliká spôsobom znázorneným na nálepke. Ak uvidíte blikanie spôsobom označujúcim chybný akumulátor, nepokračujte v nabíjaní tohto akumulátora. Odovzdajte takýto akumulátor v autorizovanom servise alebo v zbernom dvore, kde sa bude vykonávať jeho recyklácia.

## Odloženie nabíjania akumulátora



Hneď ako bude nabíjačka detegovať príliš vysokú alebo príliš nízku teplotu akumulátora, automaticky spustí režim

odloženia nabíjania akumulátora a pozastaví nabíjanie, kým akumulátor nedosiahne predpísanú teplotu.

Hneď ako akumulátor dosiahne predpísanú teplotu, nabíjačka sa automaticky prepne do režimu nabíjania akumulátora. Táto funkcia maximálne predlžuje prevádzkovú životnosť akumulátora. Indikátor bliká spôsobom znázorneným na nálepke.

## Ponechanie akumulátora v nabíjačke

Akumulátor môže byť ponechaný v nabíjačke so svetiacim LED indikátorom neobmedzene dlhý čas. Nabíjačka bude akumulátor udržiavať v úplne nabitom stave. Táto nabíjačka je vybavená režimom automatického dobíjania, ktorý porovnáva alebo vyvažuje jednotlivé články akumulátora, aby tento akumulátor mohol využiť svoju špičkovú kapacitu. Akumulátor je nutné dobíjať každý týždeň alebo vždy, keď už neposkytuje dostatočný výkon na vykonávané úkony. Ak chcete použiť režim automatického dobíjania, vložte akumulátor do nabíjačky a nechajte ho v nabíjačke minimálne 8 hodín.

## Dôležité poznámky týkajúce sa nabíjania

- ◆ Najdlhšiu prevádzkovú životnosť a najvyšší výkon dosiahnete, ak sa bude akumulátor nabíjať v rozmedzí teplôt 18° až 24 °C. NENABÍJAJTE tento akumulátor, ak je teplota okolitého vzduchu nižšia než +4,5 °C alebo vyššia než +40 °C.  
Je to veľmi dôležité a zabráni to vážnemu poškodeniu akumulátora.
- ◆ Počas nabíjania môže dochádzať k zahrievaniu nabíjačky aj akumulátora. Ide o normálny stav, ktorý neznamená žiadny problém. Ak chcete po použití uľahčiť ochladenie akumulátora, neukladajte nabíjačku alebo akumulátory v teplom prostredí, ako sú kovové prístrešky alebo nechránené prívesy.
- ◆ Ak nedochádza k riadnemu nabíjaniu akumulátora:
  - ◆ Skontrolujte funkciu zásuvky pripojením svetidla alebo iného zariadenia.
  - ◆ Urobte kontrolu, či nie je zásuvka prepojená s vypínačom osvetlenia a či nedôjde k odpojeniu napájania, ak je zhasnuté svetlo.
  - ◆ Premiestnite nabíjačku a akumulátor na miesto, kde sa teplota okolitého vzduchu pohybuje v rozmedzí zhruba 18 – 24 °C.
  - ◆ Ak problémy stále pretrvávajú, odovzdajte náradie, akumulátor a nabíjačku autorizovanému servisu.
- ◆ Tieto akumulátory sa musia nabíjať v prípade, keď už neposkytujú dostatočný výkon na predtým ľahko

vykonávané pracovné operácie. V TAKEJ SITUÁCII NEPOKRAČUJTE v používaní náradia. Postupujte podľa pokynov pre nabíjanie. Čiastočne vybitý akumulátor môže byť kedykoľvek znovu nabitý bez toho, aby to malo akýkoľvek vplyv na nabíjaný akumulátor.

- ◆ Cudzie vodivé predmety a materiály, ako sú brúsiva, kovové triesky, oceľová vlna, hliníkové fólie alebo nahromadené častice kovu, sa nesmú nikdy dostať do vnútorného priestoru nabíjačky. Skôr ako budete čistiť nabíjačku, odpojte ju od siete.
- ◆ Zabráňte zmrznutiu akumulátora a neponárajte ho do vody alebo do iných kvapalín.

## Vloženie a vybratie akumulátora z náradia (obr. B)

**Varovanie!** Uistite sa, či je náradie zaistené zaistovacím tlačidlom (2), aby ste pred vložením alebo vybratím akumulátora zabránili aktivácii vypínača.

Vloženie akumulátora:

- ◆ Vložte akumulátor (7) do náradia tak, aby ste počuli kliknutie (obr. B).

## Vybratie akumulátora z náradia (obr. C)

- ◆ Stlačte tlačidlo na uvoľnenie akumulátora (8), ako je zobrazené na obr. C a vysuňte akumulátor z náradia.

## OPokyny na použitie

### Hlavný vypínač a tlačidlo zmeny smeru chodu (obr. D)

- ◆ Táto vrtáčka sa zapína a vypína stlačením a uvoľnením hlavného vypínača (1). Čím viac je hlavný vypínač stlačený, tým vyššie sú otáčky vrtáka.
- ◆ Ovládacie tlačidlo praveho/ľavého chodu (2) určuje smer otáčania pracovného nástroja a slúži aj ako zaistovacie tlačidlo.
- ◆ Ak chcete zvoliť smer otáčania vpred, uvoľníte hlavný vypínač a zatlačte ovládacie tlačidlo praveho/ľavého chodu doľava.
- ◆ Ak chcete zvoliť smer otáčania vľavo, zatlačte ovládacie tlačidlo praveho/ľavého chodu na druhú stranu.

**Poznámka:** Stredová poloha tohto ovládacieho tlačidla zaistuje náradie vo vypnutej polohe. Ak meníte polohu ovládacieho tlačidla, uistite sa, či je uvoľnený hlavný vypínač.

### Ovládanie momentu (obr. E)

Toto náradie je vybavené objímkou (3) na nastavenie pracovného režimu a na nastavenie momentu pri uťahovaní skrutiek. Skrutky s veľkým rozmerom a obrobky z tvrdých materiálov vyžadujú nastavenie vyššej hodnoty momentu než malé skrutky a mäkké materiály.

- ◆ Pri vrtaní do dreva, kovu a plastov nastavte objímku na nastavenie momentu na symbol vrtáka.

- ◆ Pri skrutkovaní nastavte objímku na požadovanú hodnotu momentu. Ak nepoznáte ešte vhodné nastavenie, postupujte nasledovne:
  - ◆ Nastavte objímku na najmenšiu hodnotu momentu.
  - ◆ Uťahnite prvú skrutku.
  - ◆ Ak začne spojka pred dosiahnutím požadovaného výsledku preskakovať, zväčšite hodnotu momentu nastavením objímky do ďalšej polohy a pokračujte v uťahovaní skrutky.
- Opakujte tento postup, kým nedosiahnete požadované nastavenie. Použite toto nastavenie aj na dotiahnutie zostávajúcich skrutiiek.

### Rýchlopúlnacie skľučovadlo (obr. F)

**Varovanie!** Uistite sa, či je náradie zaistené zaistovacím tlačidlom (2), aby ste pred vložením alebo vybratím príslušenstva zabránili aktivácii vypínača.

Vloženie vrtáka alebo iného pracovného nástroja:

- ◆ Jednou rukou uchopte zadnú polovicu skľučovadla (4) a druhú ruku použijete na otáčanie prednej polovice skľučovadla proti smeru pohybu hodinových ručičiek, a to pri pohľade od konca skľučovadla.
- ◆ Zasuňte pracovný nástroj alebo iné príslušenstvo celkom do skľučovadla a z pohľadu od zadnej časti skľučovadla ho riadne utiahnite otáčaním prednej časti skľučovadla v smere pohybu hodinových ručičiek.

**Varovanie!** Nepokúšajte sa utiahnuť vrtáky (alebo iné príslušenstvo) uchopením prednej časti skľučovadla a zapnutím náradia. Výmena príslušenstva, ktorá sa robí takýmto spôsobom môže viesť k poškodeniu skľučovadla a k úrazu.

### Duálny volič prevodových stupňov (obr. G)

Možnosť voľby dvoch prevodových stupňov Vašej vrtáčky Vám umožňuje širšie využitie Vášho náradia. Ak chcete zvoliť nízke otáčky a vysokú hodnotu momentu (poloha 1), vypnite náradie a počkajte na jeho zastavenie. Presuňte volič prevodov (5) smerom od skľučovadla. Ak chcete zvoliť vysoké otáčky a nízku hodnotu momentu (poloha 2), vypnite náradie a počkajte na jeho zastavenie. Presuňte volič prevodov smerom ku skľučovadlu.

**Poznámka:** Nemeňte prevody, ak je náradie v chode. Ak máte s vykonávaním zmeny prevodového stupňa problémy, uistite sa, či je volič prevodov zatlačený celkom dopredu alebo dozadu, až do dorazovej polohy.

### Vrtanie/skrutkovanie

- ◆ Pomocou prepínača praveho/ľavého chodu (2) zvolte smer otáčania vpred alebo vzad.
- ◆ Ak chcete náradie zapnúť, stlačte vypínač (1). Otáčky náradia závisia od intenzity stlačenia tohto vypínača.
- ◆ Ak chcete náradie vypnúť, uvoľnite tento vypínač.

## Rady na optimálne použitie

### Vrtanie

- ◆ Používajte iba nabrúsené vrtáky.
- ◆ Podprite a riadne zaistite obrobok, ako je uvedené v bezpečnostných pokynoch.
- ◆ Použite zodpovedajúce a vyžadované bezpečnostné vybavenie, ako je uvedené v bezpečnostných pokynoch.
- ◆ Zabezpečte a upratujte pracovný priestor, ako je uvedené v bezpečnostných pokynoch.
- ◆ Začnite vrtáť veľmi pomaly a používajte iba malý prítlak, kým nebude vyvrtaná dostatočná diera, ktorá zabráni vykĺznutiu vrtáka.
- ◆ Vyvíjajte na náradie tlak v osi pracovného nástroja. Používajte dostatočne veľký tlak, aby ste zaistili dostatočný výkon nástroja, ale netlačte naň príliš, aby nedošlo k zastaveniu motora alebo k vychýleniu nástroja.
- ◆ Držte náradie pevne oboma rukami, aby ste mohli zvládnuť jeho náhle reakcie.
- ◆ **PRI ZASEKNUTÍ VRTÁKA NEPOUŽÍVAJTE HLAVNÝ VYPÍNAČ NA OPAKOVANÉ ZAPÍNANIE A VYPÍNANIE VRTAČKY, ABY OPĀT DOŠLO K ZAČATIU VRTANIA. MOHLO BY DÔJSŤ K POŠKODENIU VRTAČKY.**
- ◆ Zmenšením prítlaku a pomalým vrtaním cez poslednú časť obrobku minimalizujete možnosť zaseknutia vrtáka a prelomenie obrobku.
- ◆ Pri vyťahovaní vrtáka z vyvrtaného otvoru nechajte motor v chode. Tým zabránite zablokovaniu vrtáka.
- ◆ Uistite sa, či hlavný vypínač zapína a vypína vrtáčku.

### Vrtanie do dreva

Otvory do dreva je možné vrtáť rovnakými špirálovými vrtákmi, aké sa používajú pri vrtaní do kovu, alebo plochými vrtákmi. Tieto vrtáky musia byť ostré a počas vrtania sa musia často vyťahovať z vrtaného otvoru, aby sa mohli odstrániť nečistoty zo špirálových drážok vrtáka.

### Vrtanie do kovu

Pri vrtaní do kovu používajte mazivo. Výnimkou je liatina a mosadz, ktoré sa môžu vrtáť za sucha. Mazivá na vrtanie, ktoré dosahujú najlepšie výsledky, obsahujú sirené oleje alebo olivový olej.

### Vrtanie do muriva

Pri vrtaní do muriva nastavte objímku (3) do polohy na priklepové vrtanie zarovnaním symbolu s príslušnou značkou. Posuňte volič prevodových stupňov (5) smerom k prednej časti náradia (2. prevodový stupeň).

### Skrutkovanie

- ◆ Vždy používajte správny typ a veľkosť skrutkovacieho násadca.

- ◆ Ak sa nedajú skrutky správne pritiahnuť, použite ako mazivo malé množstvo saponátu alebo mydlového roztoku.
- ◆ Vždy držte náradie so skrutkovacím násadcom v jednej osi so skrutkou.

## Odstraňovanie porúch

Problém	Možná príčina	Možné riešenie
Náradie nie je možné spustiť.	Akumulátor nie je nabitý.	Skontrolujte, či nie je nutné nabitie akumulátora.
Akumulátor sa nenabija.	Prívodný kábel nabíjačky nie je pripojený k sieťovej zásuvke. Príliš vysoká alebo príliš nízka teplota okolitého prostredia.	Pripojte prívodný kábel nabíjačky k sieťovej zásuvke. Premiestnite nabíjačku a prívodný do prostredia, v ktorom je teplota vyššia než 4,5 °C alebo nižšia než 40,5 °C.
Náradie sa náhle vypne.	Akumulátor dosiahol svoj maximálny teplotný limit. Akumulátor je vybitý. Tento akumulátor je vyrobený tak, aby došlo k jeho okamžitému vypnutiu, ak dôjde k jeho vybitiu, aby bola maximalizovaná jeho prevádzková životnosť.	Nechajte akumulátor vychladnúť.  Vložte ho do nabíjačky a nechajte ho úplne nabiť.

## Údržba

Vaše náradie BLACK+DECKER bolo skonštruované tak, aby pracovalo dlhý čas s minimálnymi nárokmi na údržbu. Dôkladná starostlivosť o náradie a jeho pravidelné čistenie Vám zaistia jeho bezproblémový chod.

Vaša nabíjačka nevyžaduje žiadnu údržbu okrem pravidelného čistenia.

**Varovanie!** Pred akoukoľvek údržbou vyberte z náradia akumulátor. Pred čistením odpojte nabíjačku od siete.

- ◆ Vetracie otvory náradia a nabíjačky pravidelne čistite mäkkou kefou alebo suchou handričkou.
- ◆ Pomocou vlhkej handričky pravidelne čistíte kryt motora. Nepoužívajte žiadne abrazívne čistiace prostriedky alebo rozpúšťadlá.
- ◆ Pravidelne otvárajte skľučovadlo a poklepom odstráňte prach z jeho vnútornej časti.

## Ochrana životného prostredia



Triedeť odpad. Výrobky a akumulátory označené týmto symbolom sa nesmú vyhodiť do bežného domového odpadu.

Tieto výrobky a akumulátory obsahujú materiály, ktoré je možné obnoviť alebo recyklovať, čo znižuje dopyt po surovinách. Recyklujte, prosím, elektrické výrobky a akumulátory podľa miestnych predpisov. Ďalšie informácie nájdete na internetovej adrese [www.2helpU.com](http://www.2helpU.com)

## Technické údaje

		BDASB18
Napájacie napätie	V	18
Otáčky naprázdno	min <sup>-1</sup>	0-360 / 0-1400
Maximálny moment	Nm	45
Kapacita skľučovadla	mm	1 – 10
Maximálny priemer vrtáka pri vrtaní do		
ocele/dreva/muriva	mm	10 / 25 / 10
Hmotnosť	kg	0,9 (s akumulátorom 1,3)

Nabíjačka	90589867	90590287-06	90634971	
Vstupné napätie	V	230	230	230
Výstupné napätie	V	18	18	18
Prúd	mA	200	400	1 A
Približná dĺžka nabijania	hodiny	8	3–5	1,5

Akumulátory		BL1518
Napájacie napätie	V <sub>AC</sub>	18
Kapacita	Ah	1.5
Typ		Li-Ion

Hladina akustického tlaku podľa normy EN 62841:	
Akustický tlak (L <sub>PA</sub> )	87.5 dB(A), odchýlka (K) 5 dB(A)
Akustický výkon (L <sub>WA</sub> )	98.5 dB(A), odchýlka (K) 5 dB(A)
Celkový úroveň vibrácií (priestorový vektorový súčet) podľa normy EN 62841:	
Vítanie do betónu (a <sub>w</sub> )	14.2 m/s <sup>2</sup> , odchýlka (K) 1.5 m/s <sup>2</sup>
Vítanie do kovu (a <sub>h</sub> )	1.1 m/s <sup>2</sup> , odchýlka (K) 1.5 m/s <sup>2</sup>

## ES Vyhlásenie o zhode v rámci EÚ

SMERNICA PRE STROJOVÉ ZARIADENIA



BDASB18 - Príklopová vrtáčka

Spoločnosť Black & Decker vyhlasuje, že tieto výrobky popisované v technických údajoch spĺňajú požiadavky nasledujúcich noriem: 2006/42/EC, EN62841-1:2015 EN62841-2-1:2018+A11:2019.

Tieto výrobky spĺňajú taktiež požiadavky smernice 2014/30/EÚ a 2011/65/EÚ. Ak chcete získať ďalšie informácie, kontaktujte, prosím, spoločnosť Black & Decker na tejto adrese alebo na adresách, ktoré sú uvedené na konci tohto návodu.



Nižšie podpísaná osoba je zodpovedná za zostavenie technických údajov a vydáva toto vyhlásenie v zastúpení spoločnosti Black & Decker.



Ed Higgins

Director – Consumer Power Tools  
Black & Decker Europe, 270 Bath Road, Slough,  
Berkshire, SL1 4DX  
United Kingdom  
29/11/2019

## Záruka

Spoločnosť Black & Decker je presvedčená o kvalite svojich výrobkov a ponúka spotrebiteľom záruku 24 mesiacov od dátumu kúpy. Táto záruka sa ponúka v prospech zákazníka a nijako neovplyvní jeho zákonné záručné práva. Táto záruka je platná vo všetkých členských štátoch EÚ a európskej zóny voľného obchodu EFTA.

Ak požadujete reklamáciu v rámci záruky, táto reklamácia musí spĺňať obchodné podmienky spoločnosti Black & Decker a predajcovi alebo autorizovanému servisu budete musieť predložiť doklad o kúpe.

Obchodné podmienky týkajúce sa záruky spoločnosti Black & Decker v trvaní 2 rokov a adresu najbližšieho autorizovaného servisu nájdete na internetovej adrese [www.2helpU.com](http://www.2helpU.com), alebo kontaktujte najbližšieho autorizovaného predajcu Black & Decker na adrese uvedenej v tomto návode.

Navštívte, prosím, naše internetové stránky [www.blackanddecker.co.uk](http://www.blackanddecker.co.uk), kde môžete zaregistrovať Váš nový výrobok Black & Decker a kde môžete získať informácie o našich nových výrobkoch a špeciálnych ponukách.

## STANLEY BLACK & DECKER SLOVAKIA S.R.O.

Vysoká 2/b  
811 06 Bratislava  
Tel.: 00420 261 009 772  
Fax: 00420 261 009 784  
[www.blackanddecker.sk](http://www.blackanddecker.sk)  
[obchod@sbdinc.com](mailto:obchod@sbdinc.com)

## STANLEY BLACK & DECKER CZECH REPUBLIC S.R.O.

Türkova 5b  
149 00 Praha 4  
Česká Republika  
Tel.: 00420 261 009 772  
Fax: 00420 261 009 784  
Servis: 00420 244 403 247  
[www.blackanddecker.cz](http://www.blackanddecker.cz)  
[obchod@sbdinc.com](mailto:obchod@sbdinc.com)

## BAND SERVIS

Paulínska 22  
917 01 Trnava  
Tel.: 00421 335 511 063  
Fax: 00421 335 512 624  
[www.bandservis.sk](http://www.bandservis.sk)  
[p.talajka@bandservis.sk](mailto:p.talajka@bandservis.sk)

## BAND SERVIS

Južná třída 17 (budova TWD)  
040 01 Košice  
Tel.: 00421 556 233 155  
[bandservis@zoznam.sk](mailto:bandservis@zoznam.sk)

## BAND SERVIS

K Pasekám 4440  
760 01 Zlín  
Tel.: 00420 577 008 550,1  
Fax: 00420 577 008 559  
[www.bandservis.cz](http://www.bandservis.cz)  
[bandservis@bandservis.cz](mailto:bandservis@bandservis.cz)

## BAND SERVIS

Klásterského 2  
140 00 Praha 4  
Tel.: 00420 244 403 247  
Fax: 00420 241 770 167  
[j.kraus@bandservis.cz](mailto:j.kraus@bandservis.cz)  
[www.bandservis.cz](http://www.bandservis.cz)  
[bandservis@bandservis.cz](mailto:bandservis@bandservis.cz)

## Predvidena uporaba

Udarni vrtalnik BDASB18V BLACK+DECKER je namenjen vijačenju in vrtanju v les, kovino in beton. To orodje je namenjeno izključno za domačo uporabo.

## Navodila za varno uporabo

### Splošna opozorila za varno uporabo električnega orodja



**OPOZORILO** Preberite vsa varnostna opozorila, navodila, ilustracije in specifikacije, priložene temu električnemu orodju. Posledice neupoštevanja varnostnih opozoril so lahko udar elektrike, požar in/ali hude telesne poškodbe.

Vsa opozorila in navodila shranite za poznejšo uporabo. Izraz "električno orodje" v vseh spodaj navedenih opozorilih se nanaša na električno napajana električna orodja (napajana prek kabla) ali na električna orodja z akumulatorjem (brez kabla).

#### 1. Varnost na delovnem mestu

- a. **Poskrbite, da bo delovno mesto vedno čisto in dobro osvetljeno.** V natrpanih ali temnih prostorih so nezgode pogostejše.
- b. **Električnega orodja ne uporabljajte v prostorih, kjer obstaja nevarnost eksplozije, kot so prostori z vnetljivimi tekočinami, plini ali prahom.** Pri uporabi električnega orodja nastajajo iskre, ki lahko zanetijo prah ali hlape.
- c. **Otrokom in drugim osebam ne dovolite pristopa med uporabo električnega orodja.** Če vas motijo lahko povzročijo, da izgubite nadzor nad orodjem.

#### 2. Električna varnost

- a. **Vtiči električnega orodja morajo ustrezati vtičnicam. Nikoli na noben način ne predelujte vtiča. Uporaba adapterskih vtičev v kombinaciji z zaščitenim (ozemljenim) električnim orodjem ni dovoljena.** Nespremenjeni vtiči in njim prilagajoče se vtičnice zmanjšujejo nevarnost električnega udara.
- b. **Izogibajte se stika z ozemljenimi površinami, kot so cevi, radiatorji, električne peči in hladilniki.** Če je vaše telo ozemljeno, je nevarnost električnega udara večja.
- c. **Električnega orodja ne izpostavljajte dežju in ga ne uporabljajte v vlažnem ali mokrem okolju.** Vdor vode v električno orodje poveča tveganje električnega udara.
- d. **Ne poškodujte električnega kabla. Kabla nikoli ne uporabljajte za prenašanje, vleko ali izklapljanje vtiča iz stenske vtičnice. Kabel zavarujte pred vročino, oljem, ostrimi robovi in premikajočimi se deli orodja.** Prepleteni ali poškodovani kabli povečujejo tveganje za električni udar.

- e. **Ko uporabljate električno orodje na prostem, uporabite kabelski podaljšek, ki je namenjen uporabi na prostem.** Uporaba ustreznega podaljška za uporabo na prostem zmanjšuje možnost električnega udara.
- f. **Če se uporabi električnega stroja v vlažnem okolju ni mogoče izogniti, uporabite stikalo na diferenčni tok (RCD).** Uporaba naprave na diferenčni tok (RCD) zmanjšuje tveganje za električni udar.

#### 3. Osebna varnost

- a. **Bodite pozorni, pazite, kaj delate in uporabljajte zdravo pamet, ko uporabljate električno orodje. Električnega orodja ne uporabljajte, če ste utrujeni, pod vplivom mamil, alkohola ali zdravil.** Le trenutek nepozornosti lahko privede do težkih telesnih poškodb.
- b. **Uporabite osebno zaščitno opremo. Vedno nosite zaščitna očala.** Zaščitna oprema, kot so zaščitne maske proti prahu, nedrseča obutev, čelada ali zaščita sluha ob uporabi zmanjšujejo nevarnost telesnih poškodb.
- c. **Preprečite nenamerni vklop. Pred priklopanjem na vir napajanja, dviganjem ali prenašanjem električnega orodja zagotovite, da bo stikalo na izklopljenem položaju.** Nošenje električnega orodja s prstom na stikalo za vklop ali priključitev električnega orodja na električno omrežje z vklopljenim stikalom povečuje možnost nesreče.
- d. **Pred vklopom orodja odstranite z orodja ključ za nastavljanje ali druge ključe.** Orodje ali ključ, ki ste ga pustili na vrtiljvem sestavnem delu, lahko povzroči telesne poškodbe.
- e. **Ne pretiravajte. Poskrbite za varno stojišče in ravnotežje.** To omogoča boljši nadzor nad električnim orodjem v nepričakovanih situacijah.
- f. **Nosite primerno delovno obleko. Ne nosite ohlapnih oblačil ali nakita. Z lasmi, obleko in rokavicami se ne približujte premikajočim se delom orodja.** Ohlapna obleka, nakit ali dolgi lasje se lahko ujamejo v premikajoče se dele orodja.
- g. **Če so na voljo priključne naprave za sesanje in zbiranje prahu zagotovite, da bodo priklopljene in jih boste uporabljali pravilno.** Uporaba naprav za odsesavanje prahu zmanjša nevarnosti, ki jih povzroča prah.
- h. **Ne dovolite, da vam znanje, pridobljeno s pogosto uporabo orodij, omogoča, da postanete samozadovoljni in ignorirate načela varnosti orodij.** Nepazljivo ravnanje lahko v nekaj sekundah povzroči hude poškodbe.

#### 4. Uporaba in vzdrževanje električnega orodja

- a. **Ne preobremenjujte orodja. Uporabite pravo orodje za svoje delo.** Pravo električno orodje bo delo opravilo bolje in varneje s predpisano hitrostjo in načinom uporabe.
- b. **Ne uporabljajte električnega orodja, če stikalo ne omogoča vklopa in izklopa.** Električno orodje, ki ga ni mogoče nadzirati s stikalom, je nevarno in ga je treba popraviti.

- c. Pred nastavljanjem orodja, zamenjavo pribora ali shranjevanjem električnega orodja izvlecite vtič iz vira napajanja in/ali odstranite baterijo. Ta varnostni ukrep zmanjšuje tveganje za zagon električnega orodja po nesreči.
- d. Ko električno orodje ni v uporabi, ga shranjujte izven dosega otrok in ne dovolite uporabe orodja osebam, ki niso seznanjene z delovanjem orodja ali s tem navodilom za uporabo. Električna orodja so nevarna, če jih uporabljajo neizkušene osebe.
- e. Električno orodje skrbno vzdržujte. Redno preverjajte, ali so vrtljivi deli prosto gibljivi oz. niso zagodeni, počeni ali tako poškodovani, da je funkcija električnega orodja s tem okrnjena. Poškodovano električno orodje popravite pred ponovno uporabo. Mnogo nesreč se zgodi zaradi neustreznega vzdrževanja električnih orodij.
- f. Rezalna orodja morajo biti vedno ostra in čista. Skrbno negovana rezalna orodja z ostrimi žaginimi listi se manj zatikajo in so bolj vodljiva.
- g. Električno orodje, pribor in nastavke itd. uporabljajte v skladu s temi navodili ter ob tem upoštevajte delovne pogoje in vrsto dela, ki ga bo to električno orodje opravljalo. Če orodje uporabljate v druge namene, kot je priporočeno, lahko taka uporaba povzroči poškodbe.

h. Ročaji in oprijemljive površine naj bodo suhi, čisti in brez olj in maščob. Drсни ročaji in oprijemljive površine ne omogočajo varnega upravljanja in nadzora orodja v nepričakovanih situacijah.

## 5. Uporaba in vzdrževanje baterijskih orodij

- a. Baterije polnite samo s polnilnikom, ki ga je odobril proizvajalec. Polnilnik, ki je primeren za polnjenje ene vrste paketov baterij, lahko povzroči nevarnost požara, če ga uporabljate z drugo vrsto paketov baterij.
- b. Električna orodja uporabljajte samo z originalnimi baterijami. Uporaba drugih paketov baterij lahko povzroči nevarnost telesnih poškodb in požara.
- c. Če baterije ne uporabljate, jo shranite proč od kovinskih predmetov, na primer papirnih sponk, kovancev, vijakov, žebeljev ali drugih majhnih kovinskih predmetov, ki lahko omogočijo stik enega priključka z drugim. Kratek stik terminalov lahko povzroči opekline in požar.
- d. Ob nepravilnem ravnanju z baterijo lahko iz notranjosti baterije brizgne tekočina; izogibajte se stiku s tekočino. Če po naključju pride do stika tekočine s telesom, izperite prizadeto mesto z vodo. Če tekočina pride v stik z očmi, poiščite pomoč zdravnika. Stik z baterijsko tekočino lahko povzroči draženje kože ali opekline.
- e. Ne uporabljajte baterije ali orodja, ki je poškodovan ali spremenjen.

Poškodovane ali spremenjene baterije lahko kažejo nepredvidljivo vedenje, kar lahko povzroči požar, eksplozijo ali nevarnost poškodb.

- f. **Ne izpostavljajte baterije ali orodja ognju ali previsoki temperaturi.** Izpostavljenost ognju ali temperaturi nad 130 ° C lahko povzroči eksplozijo.

**OPOMBA** Temperaturo „130 ° C“ lahko nadomestite s temperaturo „265 ° F“.

- g. **Upoštevajte vsa navodila za polnjenje in ne polnite baterije ali orodja zunaj temperaturnega območja, ki je določeno v navodilih.** Nepravilno polnjenje ali temperature zunaj določenega območja lahko poškodujejo baterijo in povečajo nevarnost požara.

## 6. Servis

- a. **Električno orodje naj servisira le usposobljen serviser, ki uporablja le originalne nadomestne dele.** To zagotavlja varnost pri delovanju in uporabi električnega orodja.
- b. **Nikoli ne servisirajte poškodovanih baterij.** Servis baterijskih paketov sme izvajati samo proizvajalec ali pooblaščen ponudnik storitev.

## Dodatni varnostni ukrepi pri uporabi električnega orodja



**Warning!** Additional safety warnings for drills

- ◆ **Pri udarnem vrtenju nosite ščitnike za uši.** Izpostavljenost hrupu lahko povzroči izgubo sluha.
- ◆ **Uporabljajte pomožne ročaje, ki so priložena orodju.** Izguba nadzora nad orodjem lahko povzroči telesne poškodbe.
- ◆ **Pred uporabo orodje pravilno zavijte.** To orodje ustvarja velik izhodni navor in brez pravičnega omejevanja orodja med delovanjem lahko pride do izgube nadzora, kar povzroči telesne poškodbe.
- ◆ **Pri delu, kjer se lahko orodje dotakne skrite napeljave, držite električno orodje vedno za izolirano površino.** Če prežete žico pod napetostjo bodo pod napetostjo tudi kovinski deli električnega orodja, to pa lahko povzroči električni.
- ◆ **Ko opravljate dela, kjer se lahko vijak ipd. dotakne skrite napeljave, držite električno orodje vedno za izolirano površino.** Če se z vijakom dotaknete žice pod napetostjo bodo pod napetostjo tudi kovinski deli električnega orodja, to pa lahko povzroči električni udar.

## Varnostna navodila pri uporabi dolgih svetrov

- ◆ **Nikoli ne obratujte z višjo hitrostjo od največje dovoljene hitrosti vrtenja.** Pri večjih hitrostih se lahko košček upogne, če se mu omogoči prosto vrtenje, ne da bi pri tem dotaknil obdelovanca, kar ima za posledico telesne poškodbe.

- ◆ **Vrtanje vedno začnite pri nizki hitrosti in s konico, ki je v stiku z obdelovancem.** Pri večjih hitrostih se lahko košček upogne, če se mu omogoči prosto vrtenje, ne da bi pri tem dotaknil obdelovanca, kar ima za posledico telesne poškodbe.
- ◆ **Pritisk izvajajte samo neposredno v smeri in ne izvajajte pretiranega tlaka.** Bitovi se lahko upognejo, kar povzroči zlom ali izgubo nadzora, kar ima za posledico telesne poškodbe.
- ◆ **Za pritrnitev obdelovanca na stabilno delovno podlago uporabite primež ali kakšen drugi priročni način.** Če držite obdelovanec z roko ali ga pritisnete ob telo, bo nestabilen in lahko povzroči izgubo nadzora.
- ◆ **Pred vrtnjem v stene, tla ali v strop preverite lokacije električnih in drugih napeljav.**
- ◆ **Ne dotikajte se konice svedra takoj po končanem vrtnanju, ker je lahko vroča.**
- ◆ **Predvidena uporaba je opisana v teh navodilih za uporabo.** Uporaba kateregakoli pripomočka ali pribora ali način uporabe, ki v teh navodilih ni odobren ali opisan, lahko povzroči nevarnost telesnih poškodb in/ali materialne škode.

## Varnost drugih ljudi

- ◆ To orodje ni namenjeno, da bi ga uporabljali ljudje (vključno z otroci), z omejenimi fizičnimi senzornimi ali umskimi sposobnostmi, ali pomanjkanjem izkušenj ali znanja, razen če so pod nadzorom ali so prejeli navodila o uporabi orodja s strani osebe, odgovorne za njihovo varnost.
- ◆ Otroke je treba nadzorovati in tako zagotoviti, da se ne bodo igrali z napravo.

## Ostale nevarnosti

- Pri uporabi orodja se lahko pojavijo dodatne nevarnosti, ki niso navedene v opozorilih. Te nevarnosti so lahko posledica nepravilne uporabe, dolgotrajne uporabe ipd. Kljub uporabi ustreznih varnostnih ukrepov in varnostnih naprav se določenim nevarnostim ni mogoče izogniti. Mednje spadajo:
- ◆ poškodbe zaradi stika z vrtljivimi/premičnimi deli;
  - ◆ poškodbe pri zamenjavi delov, rezil in pribora;
  - ◆ poškodbe zaradi dolgotrajne uporabe orodja; če delate z orodjem dalj časa, poskrbite za redne odmore;
  - ◆ poškodbe sluha;
  - ◆ nevarnost za zdravje zaradi vdihavanja prahu, ki nastaja pri uporabi orodja (na primer: delo z lesom, posebej hrastovim, bukovim in s srednje-gostimi vlaknenimi ploščami (MDF)).

## Tresljaji

Deklarirane vrednosti emisij tresljajev, ki so navedene v tehničnih podatkih in v deklaraciji o skladnosti, so bile izmerjene v skladu s standardno preizkusno metodo, ki jo predpisuje EN 62841, in jih lahko uporabljate za medsebojno primerjavo orodij. Deklarirana vrednost tresljajev se lahko uporablja tudi za predhodno oceno izpostavljenosti. **Opozorilo!** Vrednost tresljajev se med dejansko uporabo orodja lahko glede na način uporabe orodja razlikuje od navedene. Raven tresljajev se lahko zviša nad deklarirano vrednostjo.

Pri oceni izpostavljenosti vibracijam za določitev varnostnih ukrepov, ki jih zahteva 2002/44/ES za zaščito oseb, ki pri delu redno uporabljajo električna orodja, mora ocena izpostavljenosti upoštevati dejanske pogoje uporabe in način uporabe orodja, vključno z upoštevanjem vseh elementov delovnega cikla, kot je čas, ko je orodje izključeno, in čas, ko je vključeno brez delovanja.

## Oznake na orodju

Poleg datumske kode so na orodju tudi naslednji simboli:



**Opozorilo!** Za zmanjšanje nevarnosti telesnih poškodb morate natančno prebrati navodila za uporabo.



Pri delu z udarnimi vrtalniki uporabljajte zaščito za ušesa. Izpostavljenost hrupu lahko povzroči izgubo sluha.



Ne strmite se v delujočo svetilko

## Dodatni varnostni napotki za baterije in polnilnike

### Baterije

- ◆ Nikoli ne skušajte odpreti baterije.
- ◆ Baterij ne izpostavljajte vodi.
- ◆ Baterije ne shranjujte na krajih, kjer lahko temperatura preseže 40 °C.
- ◆ Baterije polnite izključno pri sobni temperaturi med 10 °C in 40 °C.
- ◆ Za polnjenje baterije uporabljajte samo polnilnik, ki je priložen orodju.
- ◆ Ko odstranjujete baterije med odpadke, upoštevajte navodila v poglavju "Varovanje okolja".



Ne polnite poškodovanih baterij.

### Polnilniki

- ◆ Za polnjenje baterij, priporočenih za to orodje, uporabljajte le svoj polnilnik BLACK+DECKER. Druge baterije lahko eksplodirajo in povzročijo telesne poškodbe in materialno škodo.

- ◆ Nikoli ne poskušajte polniti baterij, ki se ne polnijo.
- ◆ Poškodovane električne kable nemudoma zamenjajte.
- ◆ Polnilnika ne izpostavljajte vodi.
- ◆ Ne odpirajte polnilnika.
- ◆ Ne predirajte polnilnika.



Ta polnilnik je namenjen samo uporabi v notranjih prostorih.



Pred uporabo preberite navodila za uporabo.

### Električna varnost



Polnilnik je dvojno izoliran; zato ni potrebna dodatna ozemljitev. Vedno preverite, ali dejanska napetost ustreza tisti, ki je navedena na podatkovni plošči. Nikoli ne poskušajte zamenjati polnilne enote z navadnim napajalnim vtičem.

- ◆ Če se poškoduje napajalni kabel, ga sme zamenjati le proizvajalec ali pooblaščen serviser podjetja BLACK+DECKER, saj se lahko le na ta način izognete morebitnim nevarnostim.

### Funkcije

To orodje vsebuje nekatere naštete sestavne dele ali vse.

1. Stikalo za spreminjanje hitrosti
2. Drсно stikalo naprej/nazaj
3. Regulator za nastavitve navora
4. Vpenjalna glava brez ključa
5. Gumb z dvema nastavitvama hitrosti
6. LED delovna lučka
7. Baterija
8. Gumb za sprostitve baterije

### Sestavljanje

#### Uporaba

**Opozorilo!** Orodje naj deluje s svojim lastnim tempom. Ne preobremenjujte orodja.

#### Polnjenje baterije (sl. A1, A2)

Baterijo je treba napolniti pred prvo uporabo in vedno, ko ne more več zagotoviti ustreznega napajanja za postopke, ki ste jih prej z lahko opravljali. Med polnjenjem se lahko baterija segreva; to je normalno in ne predstavlja napake.

**Opozorilo!** Ne polnite baterije pri temperaturah okolja pod 10 °C ali nad 40 °C. Priporočena temperatura pri polnjenju je okoli 24 °C.

**Opomba:** Polnilnik ne polni baterije, če je temperatura baterije pod približno 10 °C ali nad 40 °C.

#### Baterijo morate pustiti v polnilniku, polnilnik pa bo začel baterijo polniti samodejno, ko se temperatura baterije ustrezno dvigne ali pade.

- ◆ Polnilnik (9) priključite na standardno električno vtičnico 230 voltov, 50 Hz.
- ◆ Vstavite paket baterij (7) v polnilnik, kot je prikazano na sl. A1, A2.



Utripati bo začela zelena LED (9a), kar pomeni, da se baterija polni.



Ko bo baterija napolnjena, bo zelena LED (9a) začela svetiti neprekinjeno. Baterija je popolnoma napolnjena; zdaj jo lahko uporabite ali jo pustite v polnilniku.

**Opozorilo!** nevarnost požara. Ko odstranujete baterijo iz polnilnika, najprej izklopite polnilnik iz omrežne vtičnice in nato odstranite baterijo iz polnilnika.

#### Diagnostika polnilnika

Ta polnilnik je konstruiran tako, da zazna določene težave, do katerih lahko pride zaradi paketa baterij ali vira napajanja. Težave so prikazane z utripanjem ene LED lučke v različnih vzorcih.

#### Pokvarjena baterija



Polnilnik lahko zazna izpraznjeno ali poškodovano baterijo. LED lučka bo začela utripati v ciklu, ki je prikazan na nalepki. Če opazite, da lučka utripa v ciklu pokvarjene baterije, ne nadaljujte s polnjenjem baterije. Vrnite jo v servis ali krajevni zbirni center za recikliranje.

#### Zakasnitev zaradi vroče/mrzle baterije



Ko polnilnik zazna akumulatorsko baterijo, ki je pretirano vroča ali hladna, avtomatsko vklopi funkcijo zakasnitev zaradi vroče/mrzle akumulatorske baterije. To pomeni, da je polnjenje preloženo, dokler baterija ne doseže primerne temperature.

Ko baterija doseže primerno temperaturo, se polnilnik samodejno preklopi v način polnjenja. Ta funkcija zagotavlja maksimalno življenjsko dobo baterije. Lučka bo začela utripati v ciklu, ki je prikazan na nalepki.

#### Če pustite baterijo v polnilniku

Polnilnik in baterijo lahko z osvetljeno LED pustite priključen neomejeno dolgo. Polnilnik ohranja baterijo napolnjeno. Značilnost polnilnika je samodejni način uglaševanja, ki izenačuje ali uravnava posamezne celice v paketu baterij, da bi jim tako omogočilo delovanje ob konični zmogljivosti. Paket baterij je treba uglaševati tedensko, ali kadar koli baterija ne zagotavlja več enake količine dela. Za uporabo načina samodejnega uglaševanja, vstavite paket baterij v polnilnik in ga pustite tam najmanj 8 ur.

## Pomembni napotki za polnjenje

- ◆ Najdaljše življenjsko obdobje in lastnosti lahko dosežete, če je temperatura zraka okolice med polnjenjem baterije med 18 °C – 24 °C. NE polnite baterij pri temperature zraka okolice pod +4,5 °C ali več kot +40 °C.  
To je zelo pomembno in bo preprečilo resne poškodbe baterij.
- ◆ Polnilnik in paket baterij se lahko med polnjenjem zelo segrejeta. To je običajno in ne pomeni okvare. Da omogočite ustrezno hlajenje baterije, polnilnika ali baterije ne postavljajte v toplem prostoru ali površino, ki ne omogoča odvajanja toplote.
- ◆ Če se baterija ne polni pravilno:
- ◆ preverite delovanje priključkov tako, da priključite svetilko ali drugo napravo;
  - ◆ prepričajte se, ali je vtičnica povezana s stikalom za luči, ki izklopi napajanje, ko ugasnete luči;
  - ◆ polnilnik in akumulatorsko baterijo postavite v prostor, kjer je temperatura zraka približno 18 °C – 24 °C.
  - ◆ Če težav, povezanih s polnjenjem ni mogoče odpraviti, odnesite paket baterij, polnilnik in orodje v pooblaščen servisni center.
- ◆ To baterijo z dolgo življenjsko dobo morate napolniti, ko ne zmore več zagotavljati dovolj moči za dela, ki jih je sicer prej z lahkoto opravljala. Naprave v tem stanju NE UPORABLJAJTE. Upoštevajte napotke za polnjenje. Paket baterij lahko začnete polniti tudi, ko je do polovice ali deloma napolnjen; takšno početje ne škoduje bateriji.
- ◆ Tuje materiale, ki prevajajo elektriko, kot so prah, ki nastane ob brušenju, kovinska vezja, jeklena volna, aluminijasta folija ali kakršne kole nabrane kovinske delce odstranite iz odprtih polnilnika. Izklopite polnilnik pred nameravanjem čiščenjem.
- ◆ Ne zmrznete polnilnika in ga ne potopite v vodo ali drugo tekočino.

## Nameščanje paketa baterij v orodje in odstranjevanje baterije (sl. B)

**Opozorilo!** Pred namestitvijo ali odstranitvijo baterije se prepričajte, da je aktiviran gumb za zapahnitev (2), ki onemogoča nenamerni vklop stikala.

Montaža paketa baterij:

- ◆ paket baterij (7) vstavite v predalček orodja, da zaslišite zvočni klik (sl. B).

## Odstranitev paketa baterij iz orodja (sl. C)

- ◆ Pritisnite gumb za sprostitve baterije (8), kot je prikazano na (sl. C) in izvlecite paket baterij iz orodja.

## Navodila za uporabo

### Sprožilno stikalo in gumb za naprej/nazaj (sl. D)

- ◆ Vrtalnik VKLOPITE in IZKLOPITE tako da povlečete in sprostite sprožilno stikalo (1). Čim dlje pritisnete na sprožilno stikalo, tem večja je hitrost vrtenja.

- ◆ Gumb za smer vrtenja naprej/nazaj (2) določa smer delovanja orodja in deluje tudi kot gumb za zaklepanje.
- ◆ Za izbiro smeri vrtenja naprej sprostite sprožilno stikalo in pritisnite na krmilni gumb za naprej/nazaj v levo.
- ◆ Za izbiro smeri nazaj pritisnite na krmilni gumb za naprej/nazaj v nasprotno smer.

**Opomba:** Sredinski položaj krmilnega gumba zaklene orodje v izklopljenem položaju. Ko spreminjate položaj kontrolnega gumba, mora biti sprožilno stikalo sproščeno.

### Krmiljenje navora (sl. E)

To orodje ima regulator za nastavitve navora (3) za izbiro delovnega načina in za nastavitve navora za privijanje vijakov. Veliki vijaki in trši obdelovanci zahtevajo višji navor kot majhni vijaki in mehkejši obdelovanci.

- ◆ Za vrtenje v kovino, les in plastiko, nastavite izbirnik na simbol za položaj vrtenja
- ◆ Za privijanje/odvijanje vijakov nastavite obroček na ustrezno nastavitve. Če ustrezne nastavitve še ne poznate, upoštevajte naslednje napotke:
- ◆ Nastavite regulator na najnižjo nastavitve navora.
- ◆ Zategnite prvi vijak.
- ◆ Če se sklopka zaskoči, še preden dosežete želeni rezultat, zvišajte nastavitve obročka in nadaljujte s privijanjem vijaka. Ponavljajte, dokler ni nastavitve pravilna. Uporabite to nastavitve za preostale vijake.

### Samozatezna vpenjalna glava (sl. F)

**Opozorilo!** Pred namestitvijo ali odstranitvijo opreme se prepričajte, ali je aktiviran gumb za zapahnitev (2), ki onemogoča nenamerni vklop stikala.

Vstavljanje svedrov ali drugega pripomočka:

- ◆ Primitve zadnjo polovico vpenjalne glave (4) z eno roko in z drugo roko zavrtite sprednjo polovico v nasprotni smeri urinega kazalca, če gledate s konca vpenjalne glave.
- ◆ Vstavite sveder ali drug pribor do konca v vpenjalno glavo ter trdno privijte, tako da držite za zadnjo polovico vpenjalne glave in zavrtite sprednjo polovico v smeri gibanja urinega kazalca, gledano od konca vpenjalne glave.

**Opozorilo!** Ne poskušajte privijati ali odvijati svedrov (ali drugega pribora), tako da držite sprednji del vpenjalne glave in vključite orodje. Med menjavo opreme lahko pride do poškodb vpenjalne glave in telesnih poškodb.

### Gumb z dvema nastavitvama hitrosti (slika G)

Izbirni gumb z dvema nastavitvama hitrosti vrtalnika omogoča menjavo hitrosti za bolj vsestransko uporabo orodja. Za izbiro nizke hitrosti in nastavitve visokega navora (položaj 1) izključite orodje in počakajte, da se ustavi. Potisnite gumb za nastavitve hitrosti (5) stran od vpenjalne glave. Za izbiro visoke hitrosti in nastavitve nizkega navora (položaj 2) izključite orodje in počakajte, da se ustavi.

Potisnite gumb za nastavitve hitrosti v smeri proti vpenjalni glavi.



**Opomba:** Ne spreminjajte hitrosti med delovanjem orodja. Če naletite na težave pri menjavanju hitrosti, preverite, ali je gumb z dvema nastavitvama hitrosti bodisi do konca potisnjen naprej ali do konca nazaj.

### Vrtanje/vijačenje

- ◆ Izberite vrtenje v smeri naprej ali nazaj s pomočjo drsnega stikala za naprej/nazaj (2).
- ◆ Orodje vključite s pritiskom na stikalo (1). Hitrost orodja je odvisna od dolžine pritiska na stikalo.
- ◆ Orodje izključite, tako da spustite stikalo.

### Nasveti za optimalno uporabo

#### Vrtanje

- ◆ Uporabljajte samo ostre svedre.
- ◆ Podprite obdelovanec, kot je opisano v varnostnih navodilih.
- ◆ Uporabite ustrezno zaščitno opremo v skladu z varnostnimi navodili.
- ◆ Zavarujte in uredite delovno območje, kot je opisano v varnostnih navodilih.
- ◆ Uporabite zelo nizko začetno hitrost vrtenja z rahlim pritiskom navzdol na orodje, dokler ni vrtina dovolj globoka, da sveder ne zdrsne več iz nje.
- ◆ Vedno pritiskajte v ravni liniji s svedrom. Uporabite dovolj pritiska, da sveder "prijemlje", vendar ne preveč, da se motor ne ustavi oz. da se sveder ne odkloni.
- ◆ Vrtalnik trdno držite z obema rokama, tako da lahko nadzorujete vzvojno zavijanje.
- ◆ **NE POSKUŠAJTE ZAGNATI BLOKIRANEGA SVEDRA S PRITISKANJEM NA SPROŽILNO STIKALO. TAKO LAHKO POŠKODUJETE SVEDER.**
- ◆ Zmanjšajte nevarnost blokade orodja v trenutku preboja obdelovanca, tako da znižate pritisk in vrtate počasi skozi zadnji del vrtnice.
- ◆ Pustite, da motor deluje, medtem ko izvlečete sveder iz vrtnice. Tako boste preprečili, da se sveder zagozdi.
- ◆ Preverite, ali s stikalom vključite in izključite vrtalnik.

#### Vrtanje v les

Luknje v les lahko izvrtate z istimi spiralnimi svedri, kot jih uporabljate za kovino, ali z uporabo širokih konic. Če uporabljate lopataste konice se prepričajte, da so ostre in da jih med vrtnjem v obdelovanec pogosto izvlečete iz obdelovanca, da iz luknje odstranite ostružke.

#### Vrtanje v kovino

Pri vrtnju kovin uporabljajte mazivo za vrtnje. Izjemi sta lito železo in medenina, ki ju morate vrtati suha. Najboljša maziva za vrtnje so žveplana rezalna olja ali maščobna olja.

### Vrtanje v stene

Za vrtnje v beton nastavite regulator (3) na položaj vrtnja s klavdom, tako da poravnate simbol z oznako. Potisnite izbirnik hitrosti (5) proti srednjemu delu orodja (2. hitrost).

### Vijačenje

- ◆ Vedno uporabite pravo vrsto in velikost vijačnega nastavka.
- ◆ Če naletite na težave pri privijanju vijakov, nanesite kot mazivo majhno količino sredstva za pranje za pomivanje ali milnice.
- ◆ Vedno držite orodje in vijačni nastavek v ravni liniji z vijakom.

### Odpravljanje težav

Težava	Verjeten vzrok	Možna rešitev
Orodje se ne zažene.	Baterija ni napolnjena.	Preverite, ali so izpolnjene vse zahteve za polnjenje baterije.
Baterija se ne polni.	Polnilnik ni priključen na električno omrežje.  Temperature okolice je prenizka ali previsoka.	Priključite orodje na delujočo omrežno vtičnico. Polnilnik in akumulatorsko baterijo prenesite v prostor, kjer znaša temperatura zraka nad 45 °C (40 stopinj F) in pod +40,5 °C (105 stopinj F).
Orodje se nenadoma izključi.	Baterija se je pregrela.  Baterija je izpraznjena. (Za doseganje optimalne življenjske dobe je baterija zasnovana tako, da se izklopi takoj, ko je popolnoma izpraznjena.)	Počakajte, da se baterija ohladi. Vstavite jo v polnilnik in napolnite.

### Vzdrževanje

Orodje BLACK+DECKER je izdelano tako, da dolga leta deluje z minimalnim vzdrževanjem. Dolgoročno zadovoljivo delovanje je odvisno od pravilne nege in rednega čiščenja orodja.

Razen rednega čiščenja ne potrebuje polnilnik nobenega vzdrževanja

**Opozorilo!** Pred začetkom vzdrževanja orodja odstranite baterijo iz orodja. Pred čiščenjem izklopite polnilnik iz električnega omrežja.

- ◆ Redno čistite prezračevalne reže v orodju in polnilniku s pomočjo mehke ščetke ali suhe krpe.
- ◆ Redno čistite ohišje motorja z vlažno krpo. Ne uporabljajte kemičnih čistil ali sredstev za čiščenje, ki drgnejo.
- ◆ V rednih časovnih presledkih odprite vpenjalno glavo in potrkajte z njo ob podlago, tako da odstranite prah iz njene notranjosti.

## Varovanje okolja



Odpadke odlagajte ločeno. Izdelkov in baterij označenih s tem simbolom, ne odlagajte skupaj z drugimi gospodinjskimi odpadki.

Orodje in baterija vsebujeta materiale, ki jih je mogoče znova uporabiti ali reciklirati in tako zmanjšati potrebo po surovinah. Električne izdelke in baterije reciklirajte skladno s krajevnimi predpisi. Za več podrobnosti obiščite spletno stran [www.2helpU.com](http://www.2helpU.com)

## Tehnični podatki

BDASB18		
Napetost	$V_{DC}$	18
Hitrost v prostem teku	$Min^{-1}$	0 - 360/0 - 1400
Maks. navor	Nm	45
Zmogljivost vpenjalne glave	mm	1-10
Maks. zmogljivost vrtnja		
Jeklo/les/stene	mm	10/25/10
Teža	kg	0,9 (z baterijo 1,3)

Polnilnik		90589867	90590287-06	90634971
Vhodna napetost	$V_{AC}$	230	230	230
Izhodna napetost	$V_{DC}$	18	18	18
Tok	mA	200	400	1A
Približni čas polnjenja	Ure	8	3 - 5	1,5

Baterija			BL1518
Napetost	$V_{AC}$		18
Zmogljivost	Ah		1.5
Tip			Li-Ion

Raven zvočnega tlaka v skladu z EN 62841:	
Raven zvočnega tlaka ( $L_{pA}$ )	87.5 dB(A), odstopanje (K) 5 dB(A)
Raven zvočne moči ( $L_{WA}$ )	98.5 dB(A), odstopanje (K) 5 dB(A)

Skupne vibracijske vrednosti (triosni vektorski seštevek) v skladu z EN 62841:	
Vrtnje v beton ( $a_{h_{io}}$ )	14.2 $m/s^2$ , odstopanje (K) 1.5 $m/s^2$
Vrtnje v kovino ( $a_{h_{ov}}$ )	1.1 $m/s^2$ , odstopanje (K) 1.5 $m/s^2$

## Izjava EU o skladnosti

DIREKTIVA O STROJIH



Udamni vrtnik - BDASB18

Black & Decker izjavlja, da so izdelki, opisani v razdelku "Tehnični podatki" v skladu z: 2006/42/EC, EN62841-1:2015 EN62841-2-1:2018+A11:2019.

Ti izdelki so v skladu tudi z direktivo 2014/30/EU in 2011/65/

EU. Za več informacij stopite v stik s podjetjem Black & Decker na spodnjih naslovih, ali poiščite kontaktne podatke na zadnji strani navodil.

Podpisani je odgovoren za sestavo tehnične dokumentacije in izjavlja to v imenu Black & Decker.

Ed Higgins

Director – Consumer Power Tools  
Black & Decker Europe, 270 Bath Road, Slough,  
Berkshire, SL1 4DX  
Velika Britanija  
29/11/2019

## Garancija

Black & Decker na temelju svojega zaupanja v kakovost svojih izdelkov ponuja 24 mesečno garancijo, ki velja od dneva nakupa. Ta garancija je dodatek in v nobenem primeru ne vpliva na vaše zakonjene pravice. Garancija je veljavna znotraj ozemlja držav članic EU in na evropskem trgovinskem območju.

Za garancijski zahtevek boste morali skladno s pravili in pogoji poslovanja podjetja Black & Decker prodajalcu ali pooblaščenemu serviserju predložiti dokazilo o nakupu orodja.

Pravila in pogoje 2-letne garancije podjetja Black & Decker in lokacijo najbližjega pooblaščenega serviserja lahko najdete na spletni strani [www.2helpU.com](http://www.2helpU.com), ali kontaktirajte s svojim krajevnim predstavnikom podjetja Black & Decker na naslovu, navedenem v teh navodilih.

Obiščite tudi našo spletno stran

[www.blackanddecker.co.uk](http://www.blackanddecker.co.uk) in registrirajte svoj novi

Black & Deckerjev izdelek, da boste ostali seznanjeni o naših novih izdelkih in posebnih ponudbah.

## Avsedd användning

Din BLACK+DECKER BDASB18V - slagbormmaskin har designats för skruvdragning och för borrar i trä, metall och murverk. Detta verktyg är endast avsett för konsumentbruk.

## Säkerhetsinstruktioner

### Allmänna säkerhetsvarningar för elverktyg



**VARNING** Läs alla säkerhetsvarningar, instruktioner, illustrationer och specifikationer som medföljer detta elverktyg. Om inte varningarna och instruktionerna som listas nedan följs kan det resultera i elektriska stötar, brand och/eller allvarliga skador.

**SPARA ALLA VARNINGAR OCH INSTRUKTIONER FÖR FRAMTIDA REFERENS.** Termen "elverktyg" i all varningarna som listas nedan refererar till ditt eldrivna (sladdanslutna) elverktyg eller batteridrivna (sladdlösa) elverktyg.

1. **Säkerhet på arbetsområdet**
  - a. **Håll arbetsområdet rent och väl upplyst.** Belamrade och mörka områden inbjuder till olyckor.
  - b. **Använd inte elverktyg i explosiv atmosfär, såsom i närheten av lättantändliga vätskor, gaser eller damm.** Verktyg skapar gnistor som kan antända damm eller ångor.
  - c. **Håll barn och åskådare borta medan ett elverktyg används.** Distractioner kan göra att du förlorar kontrollen.
2. **Elektrisk säkerhet**
  - a. **Elverktygs kontakter måste passa i eluttaget. Modifiera aldrig kontakten på något sätt. Använd inte någon adapterkontakt med jordade (jordanslutna) elverktyg.** Omodifierade kontakter och matchade uttag kommer att reducera risken för elektriska stötar.
  - b. **Undvik kroppskontakt med jordade eller jordanslutna ytor såsom rör, radiatorer, spisar och kylskåp.** Det finns en öka risk för elektriska stötar om kroppen är jordad eller jordansluten.
  - c. **Utsätt inte elverktyg för regn eller våta förhållanden.** Vatten som kommer in i ett elverktyg kommer att öka risken för elektriska stötar.
  - d. **Misshandla inte sladden. Använd aldrig sladden för att bära, dra eller koppla ur elverktyget. Håll sladden undan från hetta, olja, vassa kanter eller rörliga delar.** Skadade eller trassliga sladdar ökar risken för elektriska stötar.
  - e. **När ett elverktyg används utomhus, använd en förlängningssladd som är lämplig för utomhusbruk.** Användning av en sladd som är lämplig för utomhusbruk minskar risken för elektriska stötar.
3. **Personlig säkerhet**
  - a. **Var uppmärksam, titta på vad du gör och använd sunt förnuft när ett elverktyg används. Använd inte ett elverktyg när du är trött eller påverkad av droger, alkohol eller mediciner.** En ögonblicks ouppmärksamhet när elverktyget används kan resultera i allvariga personskador.
  - b. **Använd personlig skyddsutrustning. Använd alltid skyddsglasögon.** Skyddsutrustning såsom dammask, halkfria skor, hjälm eller hörselskydd som används när så är lämplig kommer att reducera personskador.
  - c. **Förhindra oavsiktlig start. Se till att avtryckare är i avstängd position innan anslutning till strömkällan och /eller batteripaketet, verktyget lyfts upp eller bärs.** Att bära elverktyg med fingret på avtryckare eller strömsätta elverktyg som har strömbrytaren på inbjuder till olyckor.
  - d. **Ta bort alla inställningsnycklar eller nycklar innan elverktyget slås på.** En skruvnyckel eller en nyckel som lämnas fäst på en roterande del av elverktyget kan resultera i personskador.
  - e. **Sträck dig inte för långt. Ha bra fotfäste och balans hela tiden.** Detta ger bättre kontroll över elverktyget i oväntade situationer.
  - f. **Bär lämpliga kläder. Bär inte löst sittande kläder eller smycken. Håll håret, kläder och handskar undan från rörliga delar.** Lösa kläder, smycken eller långt hår kan fastna i rörliga delar.
  - g. **Om enheten är försedd med anslutning av dammsug och uppsamlingsmöjlighet, se till att dessa är anslutna och används korrekt.** Användning av dammuppsamling kan minska dammrelaterade faror.
  - h. **Låt inte kändedomen som uppnås genom frekvent användning av verktyg låta dig bli självhäftig och ignorera verktygets säkerhetsprinciper.** En slarvig handling kan orsaka allvarlig skada inom en bråkdel av en sekund.
4. **Elverktyg användning och skötsel**
  - a. **Tvinga inte elverktyget. Använd korrekt elverktyg för ditt arbete.** Korrekt elverktyg kommer att göra arbetet bättre och säkrare vid den hastighet som det är designad för.
  - b. **Använd inte elverktyget om strömbrytaren inte kan slå på eller stängas av.** Alla elverktyg som inte kan kontrolleras av strömbrytaren är farliga och måste repareras.
  - c. **Dra ut kontakten från strömkällan och/eller batteripaketet från elverktyget innan några justeringar görs, tillbehör byts eller elverktyget förvaras.**
5. **Om användning av ett elverktyg i en fuktig miljö inte kan undvikas, använd en jordfelsbrytare (RCD) för att skydda strömanslutningen.** Användning av en RCD minskar risken för elektriska stötar.

Sådan preventiva säkerhetsåtgärder minskar risken att elverktyget startar oavsiktligt.

- d. **Förvara överksamma elektriska verktyg utom räckhåll för barn och låt inte personer som är obekanta med elverktyget eller dessa instruktioner verktyget.** Elverktyg kan vara farliga i händerna på utbildade användare.
  - e. **Underhålla elverktyg. Kontrollera om där finns felinriktningar eller rörliga delar som fastnat, trasiga delar eller andra förhållanden som kan påverka elverktygets drift. Vid skador reparera elverktyget innan användning.** Många olyckor orsakas av dåligt underhållna elverktyg.
  - f. **Håll kapverktyg vassa och rena.** Korrekt underhållna kapverktyg med vassa kapkanter är mindre troliga att kärva och lättare att kontrollera.
  - g. **Använd elverktyget, tillbehör och verktygsbits etc. i enlighet med dessa instruktion och tänk på arbetsförhållandena och arbetet som skall utföras.** Elverktyg som används för arbeten andra än de som är avsedda kan resultera i farliga situationer.
  - h. **Håll handtagen och greppytorna torra, rena och fria från olja och fett.** Håll handtag och gripande ytor tillåter inte säker hantering och kontroll av verktyget i oväntade situationer.
5. **Batteri användning och skötsel**
    - a. **Ladda endast med laddaren som specificerats av tillverkaren.** En laddare som är lämplig för en typ av batterier kan skapa en brandrisk vid användning med andra batteripaket.
    - b. **Använd enda elverktyg med särskilt avsedda batteripaket.** Användning av andra batteripaket kan utgöra en brandrisk.
    - c. **När batteripaket inte används, håll det borta från andra metallföremål såsom pappersgem, nycklar, skruvar eller andra metallföremål som kan skapa anslutning mellan terminalerna.** Kortslutning batteriterminalerna kan orsaka brännskador eller brand.
    - d. **Vid felaktig användning kan vätska komma ut från batteriet, undvik kontakt. Om oavsiktlig kontakt sker, skölj med vatten. Om vätska kommer i kontakt med ögonen, sök dessutom medicinsk hjälp.** Vätska som kommer från batteriet kan orsaka irritationer eller brännskador.
    - e. **Använd inte ett batteripaket eller ett verktyg som är skadat eller modifierat.** Skadade eller modifierade batterier kan uppvisa oförutsägbart beteende som kan leda till brand, explosion eller risk för personskador.
    - f. **Utsätt inte ett batteripaket eller verktyg för eld eller för hög temperatur.** Exponering för eld eller temperatur över 130 ° C kan orsaka explosion.

**OBS!** Temperaturen „130 ° C“ kan ersättas av temperaturen „265 ° F“.

- g. **Följ alla laddningsinstruktioner och ladda inte batteriet eller verktyget utanför det temperaturområde som anges i instruktionerna.** Att ladda felaktigt eller vid temperaturer utanför det angivna intervallet kan skada batteriet och öka risken för brand.

## 6. Service

- a. **Låt en kvalificerad reparatör som använder identiska reservdelar utföra service på ditt elverktyg.** Detta garanterar att säkerheten hos elverktyget bibehålls.
- b. **Service får aldrig skadade batteripaket.** Service av batteripaket bör endast utföras av tillverkaren eller auktoriserade tjänsteleverantörer.

## Ytterligare säkerhetsvarningar för elverktyg



**Varning!** Ytterligare säkerhetsvarningar för bormaskiner

- ◆ **Använd öronskydd vid slagborrning.** Exponering för buller kan orsaka hörselnedsättning.
- ◆ **Använd extra handtag som medföljer verktyget.** Förlorad kontroll kan orsaka personskador.
- ◆ **Stäng verktyget ordentligt före användning.** Det här verktyget ger ett högt utgångsmoment och utan att avstånga verktyget ordentligt under drift kan förlust av kontroll uppstå vilket kan leda till personskador.
- ◆ **Håll elverktyg i de isolerade greppytorna vid arbete som utförs där kaptilbehöret kan komma kontakt med dolda ledningar kan ske.** Kaptilbehör som kommer i kontakt med strömförande ledningar kan göra metalldelarna strömförande och ge operatören en elektrisk stöt.
- ◆ **Håll elverktyg i de isolerade greppytorna vid arbete som utförs där fästelementet kan komma kontakt med dolda ledningar kan ske.** Fästelement som kommer i kontakt med strömförande ledningar kan göra metalldelarna strömförande och ge operatören en elektrisk stöt.

## Säkerhetsinstruktioner vid användning av långa borrar

- ◆ **Kör aldrig med högre hastighet än borkronans maximala hastighet.** Vid högre hastigheter kommer biten troligen att böjas om den får rotera fritt utan att komma i kontakt med arbetsstycket, vilket resulterar i personskada.
- ◆ **Börja alltid borrning med låg hastighet och med bitspetsen i kontakt med arbetsstycket.** Vid högre hastigheter kommer biten troligen att böjas om den får rotera fritt utan att komma i kontakt med arbetsstycket, vilket resulterar i personskada.

- ◆ **Använd endast tryck i direkt linje med biten och applicera inte för högt tryck. Bitar kan böjas och orsaka brott eller förlust av kontroll, vilket kan leda till personskada.**
- ◆ **Använd klämmor eller andra praktiska sätt att fästa och stöja arbetsstycket på en stabil plattform.** Arbetsstycken som hålls i handen eller mot kroppen gör det instabilt och kan leda till att kontrollen förloras.
- ◆ Innan borring i väggar, golv eller tak, kontrollera var ledningar och rör finns.
- ◆ Undvik att vidröra spetsen å borrbitsen efter borring då den kan vara het.
- ◆ Den avsedda användningen beskrivs i denna bruksanvisning. Användning av något tillbehör eller tillsatser eller utförande av något arbete annat än de som rekommenderas i denna bruksanvisning kan utgöra en risk för personskador och/eller skador på egendom.

### Säkerhet för andra

- ◆ Detta verktyg är inte avsett att användas av personer (inklusive barn) med reducerad fysisk, sensorisk eller mental kapacitet eller som saknar erfarenhet och kunskap såvida inte de övervakas eller instruerats beträffande användningen av verktyget av en person som är ansvarig för deras säkerhet.
- ◆ Barn skall övervakas för att garantera att de inte leker med apparaten.

### Kvarvarande risker

Ytterligare risker kan uppstå när verkget används vilka kanske inte är inkluderade i de medföljande säkerhetsvarningarna. Dessa risker kan uppstå vid missbruk, för lång användning etc.

Även vid användning av de relevanta säkerhetsbestämmelserna och implementering av säkerhetsenheter kan vissa kvarvarande risker inte undvikas. Dessa inkluderar:

- ◆ Skador orsakade av att roterande/rörliga delar vidrörs.
- ◆ Skador orsakade när delar, skivor eller tillbehör byts.
- ◆ Skador orsakade av för lång användning av ett verktyg. När något verktyg används under lång tid se till att ta regelbunden paus.
- ◆ Hörselnedsättning.
- ◆ Hälsorisker orsakade av inandning av damm som uppstår när verktyget använd (exempelvis vid arbete med trä, särskilt ek, bok och MDF.)

### Vibration

De deklarerade vibrationsvärdena som fastställts i de tekniska data och i deklARATIONEN om överensstämmelse har uppmätts i enlighet med en standardtestmetod som tillhandahålls av EN 2841 och kan användas för att jämföra ett verktyg med ett annat.

De deklarerade vibrationsvärdena kan också användas för en preliminär uppskattning av exponeringen.

**Varning!** Vibrationsvärdet under faktisk användning av elverktyg kan skilja sig från de deklarerade värdena beroende på hur verktyget används. Vibrationsnivån kan öka över det fastställda värdet.

Vid uppskattning av vibrationsexponering för att avgöra säkerhetsåtgärder som krävs av 2002/44/EG för att skydda personer som regelbundet använder elverktyg i arbetet bör en uppskattning av vibrationsexponeringen överväga de verkliga förhållanden för användningen och hur verktyget används, inklusive att alla delar av arbetet tas med i beräkningen av driftcykeln, såsom när verktyget stängs av och när det körs på tomgång förutom körtiden.

### Etiketter på verktyget

Följande symboler visas på verktyget tillsammans med datumkoden::



**Varning!** För att minska risken för skador måste användaren läsa bruksanvisningen.



Använd hörselskydd vid slagborring. Exponering för buller kan orsaka hörselskador.



Se inte på lampan

### Ytterligare säkerhetsinstruktioner för batterier och laddare

#### Batterier

- ◆ Försök aldrig av något skäl att öppna batterier.
- ◆ Utsätt inte batteriet för vatten.
- ◆ Förvara inte på platser där temperaturen kan överstiga 40 °C.
- ◆ Ladda endast vid en omgivande temperatur mellan 10 °C och 40 °C.
- ◆ Ladda endast med den laddare som medföljde verktyget.
- ◆ När batterier kastat följ instruktionerna som ges i sektionen "Skydda miljön".



Försök inte ladda skadade batterier.

#### Laddare

- ◆ Använd endast din BLACK+DECKER laddare för att ladda batteriet som medföljde verktyget. Andra batterier kan brista och orsaka personskador eller andra skador.
- ◆ Försök aldrig att ladda icke-laddningsbara batterier.
- ◆ Byt omedelbart defekta sladdar.
- ◆ Utsätt inte laddaren för vatten.

- ◆ Öppna inte laddaren.
- ◆ Utforska inte laddaren.



Laddaren verktyg är endast avsett för inomhusbruk.



Läs bruksanvisningen före användning.

### Elektrisk säkerhet



Denna laddare är dubbelisolerat; därför behövs ingen jordanslutning. Kontrollera alltid att nätspänningen motsvarar spänningen på märkplattan. Försök inte att byta ut laddaren mot en vanlig nätkontakt.

- ◆ Om strömsladden är skadad måste den bytas av tillverkaren eller av ett auktoriserat BLACK+DECKER servicecenter för att undvika faror.

### Funktioner

Detta verktyg inkluderar vissa eller alla av följande funktioner.

1. Variabel hastighetsavtryckare
2. Skjutknapp framåt/bakåt
3. Inställningshylsa vridmoment
4. Nyckelfri chuck
5. Dubbelväxellåda
6. LED-arbetsbelysning
7. Batteri
8. Batterilåsknapp

### Montering

### Använd

**Varning!** Låt verktyget arbeta i egen takt. Överbelasta inte.

### Ladda batteriet (bild A1, A2)

Batteriet behöver laddas innan första användning och närhelst det inte producerar tillräckligt med energi för arbeten som lätt gjordes tidigare. Batteriet kan bli varmt under laddningen, detta är normalt och indikerar inte något problem.

**Varning!** Ladda inte batteriet vid en omgivande temperatur under 10 °C eller över 40 °C.

Rekommenderad laddningstemperatur: ungefär 24 °C.

**Notera:** Laddaren kommer inte att ladda ett batteri om celltemperaturen är under ungefär 10 °C eller över 40 °C.

**Batteriet skall lämnas kvar i laddaren och laddaren kommer att påbörja laddningen automatiskt när celltemperaturen värmts upp eller kylts ned.**

- ◆ Koppla in laddaren (9) i ett 230 Volts 50 Hz eluttag.
- ◆ Skjut in batteripaketet (7) i laddaren såsom visas i bild A1, A2.



LED (9a) kommer att blinka för att indikera att batteriet laddas.



När laddningen är klar indikeras det av att LED (9a) lyser konstant. Paketet är fulladdat och kan nu användas eller lämnas i laddaren.

**Varning!** brandfara. När batteriet skall tas bort från laddaren se till att först koppla bort laddaren från vägguttaget ta sedan bort batteriet från laddaren.

### Laddningsdiagnostik

Denna laddare är designad att upptäcka vissa problem som kan uppstå med batteripaketet eller strömkällan. Problem indikeras av att en LED blinkar i olika mönster.

### Dåligt batteri



Laddaren kan upptäcka ett svagt eller skadat batteri. LED blinkar i mönstret som indikeras på etiketten. Om du ser ett dåligt batteri, fortsätt då inte att ladda batteriet. Återlämna det till ett servicecenter eller till återvinningen.

### Fördröjning hett/kallt paket



När laddaren upptäcker ett batteri som är överdrivet hett eller överdrivet kallt startar den automatiskt en hett/kallt paketfördröjning och skjuter upp laddningen tills batteriet har normal temperatur. Efter att detta sker kommer laddaren automatiskt att växla till paketladdningsläge. Denna funktion garanterar maximal livslängd för batteriet. Ljuset blinkar i mönstret som indikeras på etiketten.

### Lämna batteriet i laddaren

Laddaren och batteripaketet kan lämnas anslutna med LED lysande på obestämd tid. Laddaren kommer att hålla batteripaketet fräscht och fulladdat. Denna laddare har ett automatiskt finjusteringsläge som jämnar ut eller balanserar de enskilda cellerna i batteripaketet vilket gör att den fungerar med toppkapacitet. Batteripaket bör finjusteras veckovis eller närhelst batteriet inte längre levererar samma arbetskapacitet. För att använda det automatiska läget, placera batteripaketet i laddaren och lämna det där i minst åtta timmar.

### Viktiga laddningsnoteringar

- ◆ Längsta livslängd och bäst prestanda kan erhållas om batteripaketet laddas när lufttemperaturen är mellan 18 ° – 24 °C. Ladda INTE batteripaketet i en lufttemperatur under +4.5 °C eller över +40 °C. Detta är viktigt och kommer att förhindra allvarliga skador på batteripaketet.
- ◆ Laddaren och batteripaket kan bli för varma att vidröra under laddningen.



Detta är ett normalt förhållande och indikerar inte något problem. För att möjliggöra kylning av batteripaketet efter användning, undvik att placera laddaren eller batteripaketet i en varm miljö såsom i ett metallskjul eller i en isolerad släpvagn.

- ◆ Om batteripaketet inte laddas korrekt:
  - ◆ Kontrollera funktionen i uttaget genom att koppla in en lampa eller annan apparat;
  - ◆ Kontrollera om uttaget är anslutet till en strömbrytare som stänges av strömmen när du släcker lamporna;
  - ◆ Flytta laddaren och batteripaketet till en plats där den omgivande temperaturen är ungefär 18 ° – 24 °C;
  - ◆ Om laddningsproblemen kvarstår, lämna verktyget, batteripaketet och laddaren till ditt lokala servicecenter.
- ◆ Batteripaketet skall laddas när det inte klarar av att producera tillräckligt med energi såsom det lätt gjort tidigare. FORTSÄTT INTE att använda under dessa förhållanden. Följ laddningsproceduren.

Du kan också ladda delvis använda ett delvis använd paket närhelst du önskar utan några negativa effekter på batteripaketet.

- ◆ Främmande material som är ledande såsom, men inte begränsat till slipdamm, metallspån, stålull, aluminiumfolie eller annat ansamlade metallpartiklar skall hållas undan från laddarens öppning. Koppla ifrån laddare när den skall rengöras.
- ◆ Frys inte eller sänk ned laddaren i vatten eller annan vätska.

### Installation eller borttagning av batteripaketet från verktyget (bild B)

**Varning!** Se till att låsknappen (2) är aktiverad för att förhindra att omkopplare aktiveras innan batteriet installeras eller tas bort.

Installera batteripaketet:

- ◆ Sätt i batteripaketet (7) i verktyget till ett ljudligt klick hörs (bild B).

### Borttagning av batteripaketet från verktyget (bild C)

- ◆ Tryck på låsknappen (8) såsom visas i (bild C) och dra ut batteripaketet från verktyget.

### Driftinstruktioner

#### Avtryckarknapp backknapp (bild D)

- ◆ Borrmaskinen slås PÅ och stängs AV genom att trycka in eller släppa avtryckarknappen (1). Ju längre avtryckaren trycks in, desto högre hastighet på borren.
- ◆ En framåt/bakåt kontrollknapp (2) avgör riktningen för verktyget och fungerar också som en låsknapp.
- ◆ För att välja framåtrotation, släpp avtryckaren och tryck framåt/bakåt kontrollknappen åt höger.

- ◆ För att välja bakåt, tryck framåt/bakåt kontrollknappen i motsatt riktning.

**Notera:** Mittenpositionen på kontrollknappen läser verktyget i avstängd position. Vid ändring av positionen för kontrollknappen se till att avtryckaren är släppt.

#### Kontroll av vridmoment (bild E)

Detta verktyg är utrustat med en inställningshylsa för vridmomentet (3) för att välja driftläge och för att ställa in vridmomentet för åtdragning av skruvar. Stora skruvar och hårt material i arbetsstycken kräver en högre inställning av vridmomentet än små skruvar i mjuka material.

- ◆ För borrning i trä, metall och plast, ställ in hylsan på borrhjulet
- ◆ För skruvdragning, ställ in hylsan på önskad inställning. Om du inte vet lämplig inställning, gör enligt följande:
  - ◆ Ställ in hylsan på det lägsta vridmomentet.
  - ◆ Dra åt den första skruven.
  - ◆ Om kopplingen hackar innan önskat resultat uppnåtts, öka hylsans inställning och fortsätt att dra åt skruven. Upprepa tills du når korrekt inställning. Använd denna inställning för de resterande skruvarna.

#### Nyckelfri chuck (bild F)

**Varning!** Se till att låsknappen (2) är aktiverad för att förhindra att omkopplare aktiveras innan installation eller borttagning av tillbehör.

Isättning av en borrbits eller annat tillbehör:

- ◆ Ta tag i den bakre halvan av chucken (4) med ena handen och använd den andra handen för att vrida på den främre halvan moturs såsom visas från chuckänden.
- ◆ Sätt in bitsen eller annat tillbehör helt i chucken och dra åt genom att hålla i den bakre halvan av chucken och vrida på den främre delen medurs såsom visas från chuckänden.

**Varning!** Försök inte att dra åt borrbits (eller andra tillbehör) genom att ta tag i främre delen av chucken och slå på verktyget. Chucken kan skadas eller personsador kan uppstå när tillbehör byts.

#### Dubbelt växelområde (bild G)

Den dubbla områdesfunktionen låter dig byta växel för större mångsidighet.

För att välja inställningen låg hastighet, högt vridmoment (position 1), stäng av verktyget och låt det stanna. Skjut växelbytesknappen (5) bort från chucken. För att välja inställningen hög hastighet, lågt vridmoment (position 2), stäng av verktyget och låt det stanna. Skjut växelbytesknappen mot chucken.

**Notera:** Ändra inte växlar medan verktyget körs. Om du har problem med att byta växel se till att ratten för dubbla områdesväxeln är antingen helt tryckt framåt eller helt tillbakadragen.

## Borning/skruvdragning

- ◆ Välj framåt- eller bakåtrotation med skjutreglaget framåt-/bakåt (2).
- ◆ För att slå på verktyget, tryck på omkopplaren (1). Verktygets hastighet beror på hur långt du trycker in avtryckaren.
- ◆ För att stänga av verktyget, släpp omkopplaren.

## Tips för optimal användning

### Borning

- ◆ Använd endast vassa borrarbits.
- ◆ Stöd och fäst arbetet ordentligt såsom instrueras i säkerhetsinstruktionerna.
- ◆ Använd säkerhetsutrustning som är lämplig och som krävs för säker användning av utrustningen, såsom instrueras i säkerhetsinstruktionerna.
- ◆ Se till att arbetsområdet är säkert och underhållet såsom instrueras i säkerhetsinstruktionerna.
- ◆ Kör borren sakta med lätt tryck tills hålet är tillräckligt stort för att hålla kvar borren så att den inte glider ut.
- ◆ Använd tryck i en rak linje med bitsen. Använd tillräckligt tryck så att bitsen fäster men inte så mycket att motorn stannar eller påverkar bitsen.
- ◆ Håll bormaskinen i ett fast grepp med båda händerna för att kontrollera dess vridning.
- ◆ **KLICKA INTE PÅ AVTRYCKAREN FÖR ATT LOSSA EN BORR SOM FASTNAT ELLER FÖR ATT FÖRSÖKA ATT STARTA DEN. SKADOR PÅ BORREN KAN UPPSTÅ.**
- ◆ Minimera att den fastnar vid genombrottet genom att minska trycket och sakta borra genom den sista delen av hålet.
- ◆ Låt motorn köra medan bitsen dras ut ur det borrade hålet. Detta hjälper till att reducera fastklämning.
- ◆ Se till att omkopplaren kan slå på och stänga av bormaskinen.

### Borning i trä

Hålen i trä kan göras med samma borrarbits som används för metall eller med plattborrar. Dessa bits skall vara vassa och skall dras ut regelbundet vid borring för att rensa spån från spåret.

### Borning i metall

Använd ett skärsmörjmedel vid borring i metall. Undantaget är gjutjärn och mässing som skall borras torrt. Skärsmörjmedlet som fungerar bäst är svavelskärolja eller späckolja.

### Borning i murverk

För borring i murverk ställ in hylsan (3) i

slagborrposition genom att rikta in symbolen mot markeringen. Skjut hastighetsväljaren (5) mot fronten på verktyget (2:a växeln).

### Skruvdragning

- ◆ Använd alltid korrekt typ och storlek på skruvbitsen.
- ◆ Om skruvar är svåra att dra åt, påför en liten mängd diskmedel eller tvål som smörjmedel.
- ◆ Håll alltid verktyget och skruvdragaren i en rak linje mot skruven.

## Felsökning

Problem	Möjlig orsak	Möjlig lösning
Enheten startar inte.	Batteripaketet är inte laddat.	Kontrollera batteripaketets laddningskrav
Batteripaketet vill inte ladda.	Laddaren är inte inkopplad. Omgivande lufttemperatur är för varm eller för kall.	Koppla in laddaren i ett fungerande eluttag. Flytta laddaren och batteripaketet till en omgivande lufttemperatur över 4,5 °C eller under +40,5 °C
Enheten stängs av plötsligt.	Batteripaketet ha nått dess maximala termiska gräns. Utan laddning. (För att maximera livslängden för batteripaketet är de designat att stängas av plötsligt när laddningen är slut	Låt batteripaketet svalna. Placera i laddaren för att ladda.

## Underhåll

Ditt BLACK+DECKER verktyg har designats att fungera under lång tid med minimalt underhåll. Fortsatt tillfredsställande drift beror korrekt verktygsvård och regelbunden rengöring. Din laddare kräver inget underhåll förutom regelbunden rengöring.

**Varning!** Innan något underhåll görs på verktyget, ta bort batteriet från verktyget. Koppla ifrån laddaren innan den rengörs.

- ◆ Rengör regelbundet ventilationsöppningarna på verktyget och laddaren med en mjuk borste eller en torr trasa.
- ◆ Rengör regelbundet motorhöljet med en fuktig trasa. Använd inte slipande eller lösningsmedelsbaserat rengöringsmedel.
- ◆ Öppna regelbundet chucken och knacka för att ta bort damm från insidan.

## Skydda miljön



Separat insamling. Produkter och batterier som är märkta med denna symbol får inte kastas i de vanliga hushållssoporna.

Produkter och batterier innehåller material som kan återvinnas och återanvändas vilket minskar behovet av råmaterial.

Återvinn elektriska produkter och batterier i enlighet med lokala bestämmelser. Ytterligare information finns tillgängligt på [www.2helpU.com](http://www.2helpU.com)

## Tekniska data

		BDASB18
Spänning	$V_{DC}$	18
Obelastat varvtal	Min <sup>-1</sup>	0 - 360/0 - 1400
Max. vridmoment	Nm	45
Chuckkapacitet	mm	1-10
<b>Max. borrkapacitet</b>		
Stålträwood/Murverk	mm	10/25/10
Vikt	kg	0,9 (med batteri 1,3)

Laddare		90589867	90590287-06	90634971
Ingående spänning	$V_{DC}$	230	230	230
Utgående spänning	$V_{DC}$	18	18	18
Ström	mA	200	400	1A
Ungefärlig laddningstid	Timmar	8	3 - 5	1,5

Batteri		BL1518
Spänning	$V_{AC}$	18
Kapacitet	Ah	1.5
Typ		Li-Ion

Ljudtrycksnivå enligt EN 62841:	
Ljudtryck ( $L_{pA}$ )	87.5 dB(A), osäkerhet (K) 5 dB(A)
Ljudeffekt ( $L_{WA}$ )	98.5 dB(A), osäkerhet (K) 5 dB(A)

Vibration totalvärde (triax vektorsumma) enligt EN 62841:	
Drilling into concrete ( $a_{h,ISO}$ )	14.2 m/s <sup>2</sup> , osäkerhet (K) 1.5 m/s <sup>2</sup>
Drilling into metal ( $a_{h,ISO}$ )	1.1 m/s <sup>2</sup> , osäkerhet (K) 1.5 m/s <sup>2</sup>

## EG deklARATION om överensstämmelse

MASKINDIREKTIVET



BDASB18 - slagborr

Black & Decker deklarerar att dessa produkter som beskrivs under "tekniska data" uppfyller: 2006/42/EC, EN62841-1:2015 EN62841-2-1:2018+A11:2019.

Dessa produkter uppfyller också direktiv 2014/30/EU och 2011/65/EU. För ytterligare information kontakta Black & Decker på följande adress eller se baksidan på denna manual.

Undertecknad ansvarig för kompilering av den tekniska filen och gör denna deklARATION på Black & Deckers vägnar.

Ed Higgins

Director – Consumer Power Tools  
Black & Decker Europe, 270 Bath Road, Slough,  
Berkshire, SL1 4DX  
Storbritannien  
29/11/2019

## Garanti

Black & Decker är säkra på kvaliteten på deras produkter och erbjuder kunderna 24 månaders garanti från inköpsdatumet. Denna garanti är ett tillägg och påverkar inte i något hänseende dina lagstadgade rättigheter. Garantin gäller inom medlemsländernas territorium i Europeiska unionen och det Europeiska frihandelsområdet.

För garantibegäran måste begäran vara i enlighet med Black & Deckers villkor och du behöver skicka med ett bevis på köpet till säljaren eller en auktoriserad serviceagent.

Villkoren i Black & Deckers tvååriga garanti och var din närmaste auktoriserade reparatör finns kan erhållas på internet på [www.2helpU.com](http://www.2helpU.com), eller genom att kontakta ditt lokala Black & Decker kontor på adressen som anges i denna manual.

Besök vår webbsida [blackanddecker.co.uk](http://blackanddecker.co.uk) för att registrera din nya Black & Decker produkt och få uppdateringar om nya produkter och specialerbjudanden.

<b>Poland</b> www.blackanddecker.pl serwis@erpatech.pl	ERPATECH Bakaliowa 26 05-080 Mościska	Tel.	(22) 431 05 05
<b>Czech Republic</b> www.blackanddecker.cz bandservis@bandservis.cz	BAND SERVIS CZ s.r.o. K Pasekam 4440 ZLIN 760 01	Fax. Tel.	+48 (22) 468 8735 577008550
<b>HUNGARY</b> www.blackanddecker.hu service@rotelkft.hu	ROTEL Kft. Központi Márkaszerviz Thököly út 17-19 BUDAPEST 1163	Fax. Tel. Fax	577008559 577008550 403-2260, 403-6533
<b>HUNGARY</b> www.blackanddecker.hu szerviz@inox.hu	Inox Szolnoki út 27-29. Kecskemét 6000	Tel.	+36 30 370 7032
<b>Serbia</b> www.blackanddecker.rs office@hammercom.co.rs	HAMMERCOM d.o.o. Valjevaska 3 BEOGRAD 11000	Tel. Fax	+381 (0)11 2543 683 +381 (0)11 2543 683
<b>Bulgaria</b> www.blackanddecker.bg info@tashev-galving.com	TASHEV-GALVING LTD 68 KLIMENT OHRIDSKI BLVD. SOFIA 1756	Tel.	00359 2 700 45 45 4

<b>België/Belgique/Luxembourg</b> www.blackanddecker.be enduser.be@sbdinc.com	Stanley Black & Decker Belgium BVBA Egide Walschaertsstraat 16 2800 Mechelen	Tel. NL +32 15 47 37 65 Tel. FR +32 15 47 37 66 Fax. +32 15 47 37 99
<b>Danmark</b>	Black & Decker Roskildevej 22 2620 Albertslund	kundeservice.dk@sbdinc.com www.blackanddecker.dk
<b>Deutschland</b> www.blackanddecker.de info@bge@sbdinc.com	Stanley Black & Decker Deutschland GmbH Black & Decker Str. 40, D - 65510 Idstein	Tel. 06126 21-0 Fax 06126 21-2980
<b>Ελλάδα</b> www.blackanddecker.gr greece.service@sbdinc.com	Stanley Black & Decker (Ε/Μ/ΑΣ) Ε.Π.Ε ΓΡΑΦΕΙΑ: Στράβωνος 7 & Βουλιαγμένης 166 74 Γλυφάδα - Αθήνα	Τηλ. 210-8981616 Φαξ 210-8983570
<b>SERVICE:</b>	Ημερος Τόπος 2 - Χάνι Αδάμ 193 00 Ασπρόπυργος - Αθήνα	Τηλ. Service 210-8985208 Φαξ 210-5597598
<b>España</b> www.blackanddecker.es respuesta.posventa@sbdinc.co	Stanley Black & Decker Ibérica, S.C.A. Parc de Negocis "Mas Blau" Edificio Muntadas, c/Bergadá, 1, Of. A6 08820 El Prat de Llobregat (Barcelona)	Tel. 934 797 400 Fax 934 797 419
<b>France</b> www.blackanddecker.fr	Black & Decker (France) S.A.S. 5 allée des Hêtres B.P. 30084 69579 Limonest Cédex	Tel. 04 72 20 39 20 Fax 04 72 20 39 00
<b>Helvetia</b> www.blackanddecker.ch service@rofoag.ch	ROFO AG Gewerbezone Seeblick 3213 Kleinbödingen	Tel. 026-6749393 Fax 026-6749394
<b>Italia</b> www.blackanddecker.it service.italia@sbdinc.com	Stanley Black & Decker Italia Via Energypark 6 20871 Vimercate (MB)	Tel. 039-9590200 Fax 039-9590313 Numero verde 800-213935
<b>Nederland</b> www.blackanddecker.nl enduser.nl@sbdinc.com	Stanley Black & Decker Netherlands BV Holtum Noordweg 35, 6121 RE BORN Postbus 83, 6120 AB BORN	Tel. +31 164 283 065 Fax +31 164 283 200
<b>Norge</b>	Black & Decker Postboks 4613, Nydalen 0405 Oslo	kundeservice.no@sbdinc.com www.blackanddecker.no
<b>Österreich</b> www.blackanddecker.at service.austria@sbdinc.com	Stanley Black & Decker Austria GmbH Oberlaaerstraße 248, A-1230 Wien	Tel. 01 66116-0 Fax 01 66116-614
<b>Portugal</b> www.blackanddecker.pt resposta.posvenda@sbdinc.com	Black & Decker Limited SARL Quinta da Fonte - Edifício Q55 D. Diniz Rua dos Malhões, 2 e 2A - Piso 2 Esquerdo 2770 - 071 Paço de Arcos	Tel. 214667500 Fax 214667580
<b>Suomi</b>	Black & Decker PL47 00521, Helsinki	asiakaspalvelu.fi@sbdinc.com www.blackanddecker.fi
<b>Sverige</b>	Black & Decker AB Box 94, 431 22 Mölndal	kundservice.se@sbdinc.com www.blackanddecker.se
<b>Türkiye</b> www.blackanddecker.com.tr	KALE Hırdavat ve Makina A.Ş. Defterdar Mah. Savaklar Cad. No:15 Edirnekapı / Eyüp / İstanbul 34050	Tel. 0212 533 52 55 Fax. 0212 533 10 05
<b>United Kingdom &amp; Republic Of Ireland</b> www.blackanddecker.co.uk emeaservice@sbdinc.com	Black & Decker 270 Bath Road Slough, Berkshire SL1 4DX	Tel. 01753 511234 Fax 01753 512365
<b>Middle East &amp; Africa</b> www.blackanddecker.ae service.mea@sbdinc.com	Black & Decker P.O.Box - 17164 Jebel Ali Free Zone (South), Dubai, UAE	Tel. +971 4 8863030 Fax +971 4 8863333