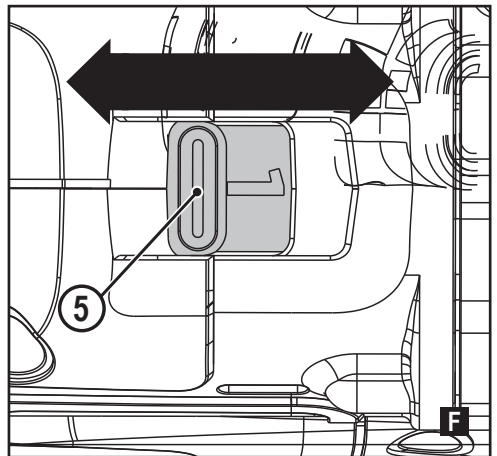
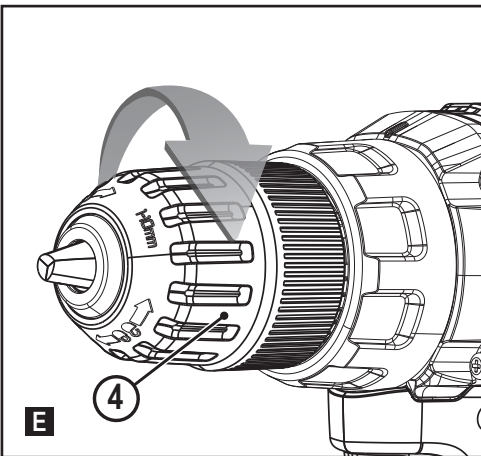
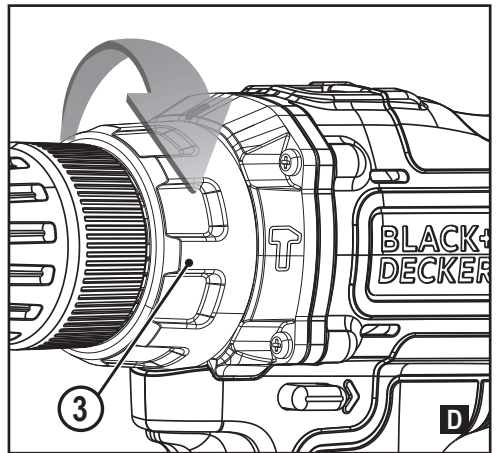
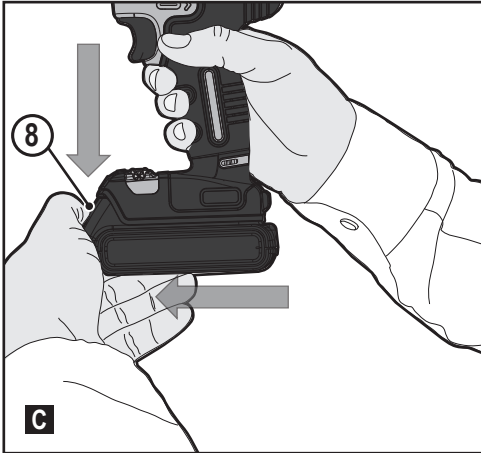
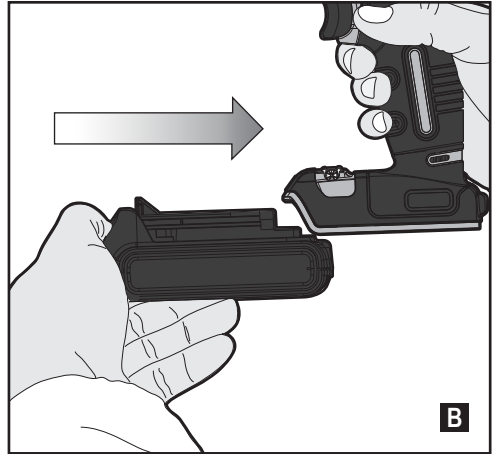
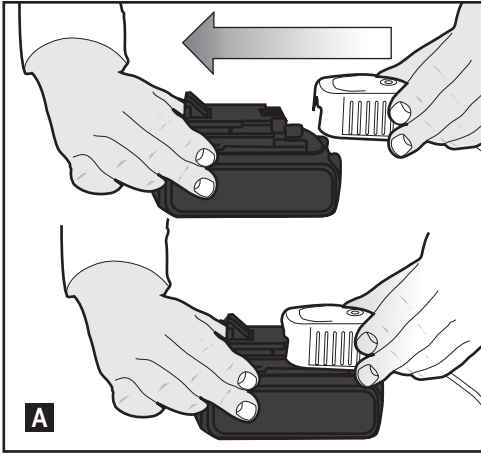


English ( <b>original instructions</b> )	4
Deutsch ( <i>übersetzt von den originalanweisungen</i> )	10
Français ( <i>traduction de la notice d'instructions originale</i> )	17
Italiano ( <i>tradotto dalle istruzioni originali</i> )	24
Nederlands ( <i>vertaald vanuit de originele instructies</i> )	30
Español ( <i>traducido de las instrucciones originales</i> )	36
Português ( <i>traduzido das instruções originais</i> )	43
Svenska ( <i>översatt från de ursprungliga instruktionerna</i> )	48
Norsk ( <i>oversatt fra de originale instruksjonene</i> )	55
Dansk ( <i>oversat fra original brugsvejledning</i> )	61
Suomi ( <i>käännetty alkuperäisestä käyttöohjeesta</i> )	67
Ελληνικά ( <i>μετάφραση από τις πρωτότυπες οδηγίες</i> )	73



## Intended use

Your BLACK+DECKER BDCHD18 Impact drill, has been designed for screwdriving applications and for drilling in wood, metal and masonry. This tool is intended for consumer use only.

## Safety instructions

### General power tool safety warnings



**Warning! Read all safety warnings, instructions, illustrations and specifications provided with this power tool.** Failure to follow the warnings and instructions listed below may result in electric shock, fire and/or serious injury.

### Save all warnings and instructions for future reference.

The term "power tool" in the warnings refers to your mains-operated (corded) power tool or battery-operated (cordless) power tool.

1. **Work area safety**
  - a. **Keep work area clean and well lit.** Cluttered or dark areas invite accidents.
  - b. **Do not operate power tools in explosive atmospheres, such as in the presence of flammable liquids, gases or dust.** Power tools create sparks which may ignite the dust or fumes.
  - c. **Keep children and bystanders away while operating a power tool.** Distractions can cause you to lose control.
2. **Electrical safety**
  - a. **Power tool plugs must match the outlet. Never modify the plug in any way. Do not use any adapter plugs with earthed (grounded) power tools.** Unmodified plugs and matching outlets will reduce risk of electric shock.
  - b. **Avoid body contact with earthed or grounded surfaces such as pipes, radiators, ranges and refrigerators.** There is an increased risk of electric shock if your body is earthed or grounded.
  - c. **Do not expose power tools to rain or wet conditions.** Water entering a power tool will increase the risk of electric shock.
  - d. **Do not abuse the cord. Never use the cord for carrying, pulling or unplugging the power tool. Keep cord away from heat, oil, sharp edges or moving parts.** Damaged or entangled cords increase the risk of electric shock.
  - e. **When operating a power tool outdoors, use an extension cord suitable for outdoor use.** Use of a cord suitable for outdoor use reduces the risk of electric shock.
  - f. **If operating a power tool in a damp location is unavoidable, use a residual current device (RCD) protected supply.** Use of an RCD reduces the risk of electric shock.
3. **Personal safety**
  - a. **Stay alert, watch what you are doing and use common sense when operating a power tool.** Do not use a power tool while you are tired or under the influence of drugs, alcohol or medication. A moment of inattention while operating power tools may result in serious personal injury.
  - b. **Use personal protective equipment. Always wear eye protection.** Protective equipment such as dust mask, non-skid safety shoes, hard hat, or hearing protection used for appropriate conditions will reduce personal injuries.
  - c. **Prevent unintentional starting. Ensure the switch is in the off-position before connecting to power source and/or battery pack, picking up or carrying the tool.** Carrying power tools with your finger on the switch or energising power tools that have the switch on invites accidents.
  - d. **Remove any adjusting key or wrench before turning the power tool on.** A wrench or a key left attached to a rotating part of the power tool may result in personal injury.
  - e. **Do not overreach. Keep proper footing and balance at all times.** This enables better control of the power tool in unexpected situations.
  - f. **Dress properly. Do not wear loose clothing or jewellery. Keep your hair, clothing and gloves away from moving parts.** Loose clothes, jewellery or long hair can be caught in moving parts.
  - g. **If devices are provided for the connection of dust extraction and collection facilities, ensure these are connected and properly used.** Use of dust collection can reduce dust-related hazards.
  - h. **Do not let familiarity gained from frequent use of tools allow you to become complacent and ignore tool safety principles.** A careless action can cause severe injury within a fraction of a second.
4. **Power tool use and care**
  - a. **Do not force the power tool. Use the correct power tool for your application.** The correct power tool will do the job better and safer at the rate for which it was designed.
  - b. **Do not use the power tool if the switch does not turn it on and off.** Any power tool that cannot be controlled with the switch is dangerous and must be repaired.
  - c. **Disconnect the plug from the power source and/or the battery pack from the power tool before making any adjustments, changing accessories, or storing power tools.** Such preventive safety measures reduce the risk of starting the power tool accidentally.
  - d. **Store idle power tools out of the reach of children and do not allow persons unfamiliar with the power tool or these instructions to operate the power tool.** Power

tools are dangerous in the hands of untrained users.

- e. **Maintain power tools and accessories. Check for misalignment or binding of moving parts, breakage of parts and any other condition that may affect the power tools operation. If damaged, have the power tool repaired before use.** Many accidents are caused by poorly maintained power tools.
- f. **Keep cutting tools sharp and clean.** Properly maintained cutting tools with sharp cutting edges are less likely to bind and are easier to control.
- g. **Use the power tool, accessories and tool bits etc. in accordance with these instructions, taking into account the working conditions and the work to be performed.**

Use of the power tool for operations different from those intended could result in a hazardous situation.

- h. **Keep handles and grasping surfaces dry, clean and free from oil and grease.** Slippery handles and grasping surfaces do not allow for safe handling and control of the tool in unexpected situations.

## 5. Battery tool use and care

- a. **Recharge only with the charger specified by the manufacturer.** A charger that is suitable for one type of battery pack may create a risk of fire when used with another battery pack.
- b. **Use power tools only with specifically designated battery packs.** Use of any other battery packs may create a risk of injury and fire.
- c. **When battery pack is not in use, keep it away from other metal objects, like paper clips, coins, keys, nails, screws, or other small metal objects, that can make a connection from one terminal to another.**

Shorting the battery terminals together may cause burns or a fire.

- d. **Under abusive conditions, liquid may be ejected from the battery; avoid contact. If contact accidentally occurs, flush with water. If liquid contacts eyes, additionally seek medical help.** Liquid ejected from the battery may cause irritation or burns.
- e. **Do not use a battery pack or tool that is damaged or modified.** Damaged or modified batteries may exhibit unpredictable behaviour resulting in fire, explosion or risk of injury.
- f. **Do not expose a battery pack or tool to fire or excessive temperature.** Exposure to fire or temperature above 130 °C may cause explosion.
- g. **Follow all charging instructions and do not charge the battery pack or tool outside the temperature range specified in the instructions.** Charging improperly or at temperatures outside the specified range may damage the battery and increase the risk of fire.

## 6. Service

- a. **Have your power tool serviced by a qualified repair person using only identical replacement parts.** This will ensure that the safety of the power tool is maintained.
- b. **Never service damaged battery packs.** Service of battery packs should only be performed by the manufacturer or authorized service providers.

## Additional power tool safety warnings



**Warning!** Additional safety warnings for screwdrivers.

- Hold the power tool by insulated gripping surfaces, when performing an operation where the cutting accessory may contact hidden wiring. Cutting accessory contacting a "live" wire may make exposed metal parts of the power tool "live" and could give the operator an electric shock.
- Wear ear protectors with impact drilling. Exposure to noise can cause hearing loss.
- Use clamps or another practical way to secure and support the work piece to a stable platform. Holding the work by hand or against your body leaves it unstable and may lead to loss of control.
- Before driving fasteners into walls, floors or ceilings, check for the location of wiring and pipes.
- The intended use is described in this instruction manual.
- The use of any accessory or attachment or performance of any operation with this tool other than those recommended in this instruction manual may present a risk of personal injury and/or damage to property.

## Safety Instructions When Using Long Drill Bits

- Never operate at higher speed than the maximum speed rating of the drill bit. At higher speeds, the bit is likely to bend if allowed to rotate freely without contacting the workpiece, resulting in personal injury.
- Always start drilling at low speed and with the bit tip in contact with the workpiece. At higher speeds, the bit is likely to bend if allowed to rotate freely without contacting the workpiece, resulting in personal injury.
- Apply pressure only in direct line with the bit and do not apply excessive pressure. Bits can bend causing breakage or loss of control, resulting in personal injury.

## Safety of others

- This tool is not intended for use by persons (including children) with reduced physical, sensory or mental capabilities, or lack of experience and knowledge, unless they have been given supervision or instruction concerning use of the appliance by a person responsible for their safety.
- Children should be supervised to ensure that they do not play with the appliance.

## Residual risks

Additional residual risks may arise when using the tool which may not be included in the enclosed safety warnings. These risks can arise from misuse, prolonged use etc.

Even with the application of the relevant safety regulations and the implementation of safety devices, certain residual risks can not be avoided. These include:

- Injuries caused by touching any rotating/moving parts.
- Injuries caused when changing any parts, blades or accessories.
- Injuries caused by prolonged use of a tool. When using any tool for prolonged periods ensure you take regular breaks.
- Impairment of hearing.
- Health hazards caused by breathing dust developed when using your tool (example: working with wood, especially oak, beech and MDF).

## Vibration

The declared vibration emission values stated in the technical data and the declaration of conformity have been measured in accordance with a standard test method provided by EN62841 and may be used for comparing one tool with another.

The declared vibration emission value may also be used in a preliminary assessment of exposure.

**Warning!** The vibration emission value during actual use of the power tool can differ from the declared value depending on the ways in which the tool is used. The vibration level may increase above the level stated.

When assessing vibration exposure to determine safety measures required by 2002/44/EC to protect persons regularly using power tools in employment, an estimation of vibration exposure should consider, the actual conditions of use and the way the tool is used, including taking account of all parts of the operating cycle such as the times when the tool is switched off and when it is running idle in addition to the trigger time.

## Labels on tool

The following pictograms along with the date code are shown on the tool:



**Warning!** To reduce the risk of injury, the user must read the instruction manual.



Do not stare at operating lamp

## Additional safety instructions for batteries and chargers

### Batteries

- Never attempt to open for any reason.
- Do not expose the battery to water.
- Do not expose the battery to heat.

- Do not store in locations where the temperature may exceed 40 °C.
- Charge only at ambient temperatures between 10 °C and 40 °C.
- Charge only using the charger provided with the appliance/tool.
- When disposing of batteries, follow the instructions given in the section "Protecting the environment".
- Do not damage/deform the battery pack either by puncture or impact, as this may create a risk of injury and fire.
- Do not charge damaged batteries.
- Under extreme conditions, battery leakage may occur. When you notice liquid on the batteries carefully wipe the liquid off using a cloth. Avoid skin contact.
- In case of skin or eye contact, follow the instructions below.



**Warning!** The battery fluid may cause personal injury or damage to property. In case of skin contact, immediately rinse with water. If redness, pain or irritation occurs seek medical attention. In case of eye contact, rinse immediately with clean water and seek medical attention.

## Chargers

Your charger has been designed for a specific voltage. Always check that the mains voltage corresponds to the voltage on the rating plate.



**Warning!** Never attempt to replace the charger unit with a regular mains plug.

- Use your charger only to charge the battery in the tool with which it was supplied. Other batteries could burst, causing personal injury and damage.
- Never attempt to charge non-rechargeable batteries.
- If the supply cord is damaged, it must be replaced by the manufacturer or an authorised Service Centre in order to avoid a hazard.
- Have defective cords replaced immediately.
- Do not expose the charger to water.
- Do not open the charger.
- Do not probe the charger.
- The appliance/tool/battery must be placed in a well ventilated area when charging.



The charger is intended for indoor use only.

## Electrical safety



Your charger is double insulated; therefore no earth wire is required. Always check that the mains voltage corresponds to the voltage on the rating plate. Never attempt to replace the charger unit with a regular mains plug.

- If the supply cord is damaged, it must be replaced by the manufacturer or an authorised BLACK+DECKER Service Centre in order to avoid a hazard.

## Features

This tool includes some or all of the following features.

1. Variable speed switch
2. Forward/reverse slider
3. Torque adjustment collar
4. Keyless chuck
5. Dual range gearing
6. LED work light
7. Battery
8. Battery release button
9. Screwdriver bit holder

## Assembly

### Use

**Warning!** Let the tool work at its own pace. Do not overload.

### Charging the battery (Fig. A)

The battery needs to be charged before first use and whenever it fails to produce sufficient power on jobs that were easily done before. The battery may become warm while charging; this is normal and does not indicate a problem.

**Warning!** Do not charge the battery at ambient temperatures below 10 °C or above 40 °C. Recommended charging temperature: approx. 24 °C.

**Note:** The charger will not charge a battery if the cell temperature is below approximately 10 °C or above 40 °C.

**The battery should be left in the charger and the charger will begin to charge automatically when the cell temperature warms up or cools down.**

- Plug the charger into any standard 230 Volts 50 Hz electrical outlet.
- Slide the battery pack into the charger as shown in fig. A.
- The green LED will flash indicating that the battery is being charged.
- The completion of charge is indicated by the green LED remaining on continuously. The pack is fully charged and may be used at this time or left on the charger.

**Warning!** Fire Hazard. When disconnecting the charger from the tool, be sure to unplug the charger from the outlet first, then disconnect the charger cord from the tool.

### Installing and removing the battery pack from the tool (Fig. B)

**Warning!** Make certain the lock-off button is engaged to prevent switch actuation before removing or installing battery.

To install battery pack:

- Insert battery pack into tool, until an audible click is heard (Fig. B).

### Removing the battery pack from the tool (Fig. C)

- Depress the battery release button as shown in (Fig. C) and pull battery pack out of tool.

## Operating Instructions

### Trigger switch & reversing button

- The drill is turned ON and OFF by pulling and releasing the trigger switch (1). The farther the trigger is depressed, the higher the speed of the drill.
- A forward/reverse control button (2) determines the direction of the tool and also serves as a lock off button.
- To select forward rotation, release the trigger switch and depress the forward/reverse control button to the left.
- To select reverse, depress the forward/reverse control button the opposite direction.

**Note:** The center position of the control button locks the tool in the off position. When changing the position of the control button, be sure the trigger is released.

### Torque control (fig. D)

This tool is fitted with a torque adjustment collar (3) to select the operating mode and to set the torque for tightening screws. Large screws and hard workpiece materials require a higher torque setting than small screws and soft workpiece materials.

- For drilling in wood, metal and plastics, set the collar to the drilling position symbol
- For screwdriving, set the collar to the desired setting. If you do not yet know the appropriate setting, proceed as follows:
- Set the collar to the lowest torque setting.
- Tighten the first screw.
- If the clutch ratchets before the desired result is achieved, increase the collar setting and continue tightening the screw. Repeat until you reach the correct setting. Use this setting for the remaining screws.

- 

### Keyless chuck (Fig. E)

**Warning!** Make certain the lock-off button is engaged to prevent switch actuation before installing or removing accessories.

To insert a drill bit or other accessory:

- Grasp the rear half of the chuck (4) with one hand and use your other hand to rotate the front half in the counterclockwise direction, as viewed from the chuck end.
- Insert the bit or other accessory fully into the chuck, and tighten securely by holding the rear half of the chuck and rotating the front portion in the clockwise direction as viewed from the chuck end.

**Warning!** Do not attempt to tighten drill bits (or any other accessory) by gripping the front part of the chuck and turning the tool on. Damage to the chuck and personal injury may occur when changing accessories.



### Dual range gearing (Fig. F)

The dual range feature of your drill allows you to shift gears for greater versatility. To select low speed, high torque setting (position 1), turn tool off and permit to stop. Slide gear shifter button (5) away from the chuck. To select the high speed, low torque setting (position 2), turn tool off and permit to stop. Slide gear shifter button towards the chuck.

**Note:** Do not change gears when tool is running. If you are having trouble changing gears, make sure that the dual range gear button is either completely pushed forward or completely pushed back.

### Drilling/screwdriving

- Select forward or reverse rotation using the forward/reverse slider (2).
- To switch the tool on, press the switch (1). The tool speed depends on how far you press the switch.
- To switch the tool off, release the switch.

### Hints for optimum use

#### Drilling

- Use sharp drill bits only.
- Support and secure work properly, as instructed in the Safety Instructions.
- Use appropriate and required safety equipment, as instructed in the Safety Instructions.
- Secure and maintain work area, as instructed in the Safety Instructions.
- Run the drill very slowly, using light pressure, until the hole is started enough to keep the drill bit from slipping out of it.
- Apply pressure in a straight line with the bit. Use enough pressure to keep the bit biting but not so much as to stall the motor or deflect the bit.
- Hold the drill firmly with two hands to control its twisting action.
- **DO NOT CLICK THE TRIGGER OF A STALLED DRILL OFF AND ON IN AN ATTEMPT TO START IT. DAMAGE TO THE DRILL CAN RESULT.**
- Minimize stalling on breakthrough by reducing pressure and slowly drilling through the last part of the hole.
- Keep the motor running while pulling the bit out of a drilled hole. This will help reduce jamming.
- Make sure switch turns drill on and off.

#### Drilling in wood

Holes in wood can be made with the same twist drill bits used for metal or with spade bits. These bits should be sharp and should be pulled out frequently when drilling to clear chips from the flutes.

### Drilling in metal

Use a cutting lubricant when drilling metals. The exceptions are cast iron and brass which should be drilled dry. The cutting lubricants that work best are sulfurized cutting oil or lard oil.

### Drilling in masonry

For drilling in masonry, set the collar (3) to the hammer drilling position by aligning the symbol with the marking. Slide the speed selector (5) towards the front of the tool (2nd gear).

### Screwdriving

- Always use the correct type and size of screwdriver bit.
- If screws are difficult to tighten, try applying a small amount of washing liquid or soap as a lubricant.
- Always hold the tool and screwdriver bit in a straight line with the screw.

### Troubleshooting

Problem	Possible cause	Possible solution
Unit will not start.	Battery pack not charged.	Check battery pack charging requirements
Battery pack will not charge.	Charger not plugged in.  Surrounding air temperature too hot or too cold.	Plug charger into a working outlet.  Move charger and battery pack to a surrounding air temperature of above 40 degrees F (45°C) or below 105 degrees F (+40.5°C)
Unit shuts off abruptly.	Battery pack has reached its maximum thermal limit.  Out of charge. (To maximize the life of the battery pack it is designed to shutoff abruptly when the charge is depleted).	Allow battery pack to cool down.  Place on charger and allow to charge.

### Maintenance

Your BLACK+DECKER tool has been designed to operate over a long period of time with a minimum of maintenance. Continuous satisfactory operation depends upon proper tool care and regular cleaning.

Your charger does not require any maintenance apart from regular cleaning.

**Warning!** Before performing any maintenance on the tool, remove the battery from the tool. Unplug the charger before cleaning it.

- Regularly clean the ventilation slots in your tool and charger using a soft brush or dry cloth.
- Regularly clean the motor housing using a damp cloth.
- Do not use any abrasive or solvent-based cleaner.
- Regularly open the chuck and tap it to remove any dust from the interior.



## Protecting the environment



Separate collection. Products and batteries marked with this symbol must not be disposed of with normal household waste.

Products and batteries contain materials that can be recovered or recycled, reducing demand for raw materials. Please recycle electrical products and batteries according to local provisions. Further information is available at [www.2helpU.com](http://www.2helpU.com).

## Technical data

		BDCHD18	
Voltage	V <sub>DC</sub>		18
No-load speed	Min <sup>-1</sup>	0-400	0-1500
Max. torque	Nm		17.5/40
Chuck capacity	mm		1-10
Max Drilling capacity			
Steel/Wood/Masonry	mm		10/25/10
Weight	kg	0.90	(with battery 1.30)

Charger	S010***400040 SSC-250040**	S018***800100 SSC-200100**	90599854**	BDC2A 90606845
Input voltage	V <sub>AC</sub> 100 - 240	220 - 240	230	230
Output voltage	V <sub>DC</sub> 8 - 20	8 - 20	18	18
Current	mA 400	1000	1000	2000
Approx. charge time	Hours 4 - 10	1,5 - 4	1,5 - 4	0,75 - 2

Battery	BL1518	BL2018	BL2518	BL4018
Voltage	V <sub>DC</sub> 18	18	18	18
Capacity	Ah 1,5	2,0	2,5	4,0
Type	Li-Ion	Li-Ion	Li-Ion	Li-Ion

### Level of sound pressure according to EN 62841:

Sound pressure (L<sub>pA</sub>) 88 dB(A), uncertainty (K) 5 dB(A)

Sound power (L<sub>WA</sub>) 99 dB(A), uncertainty (K) 5 dB(A)

### Vibration total values (triax vector sum) according to EN 62841:

Impact drilling into concrete (a<sub>h, ID</sub>) 13.4m/s<sup>2</sup>, uncertainty (K) 1,5 m/s<sup>2</sup>

Drilling into metal (a<sub>h, D</sub>) <2.8 m/s<sup>2</sup>, uncertainty (K) 1,5 m/s<sup>2</sup>

## Declaration of conformity The Supply of Machinery (Safety) Regulations 2008



BDCHD18 - Impact drill

Black & Decker declares that these products described under "technical data" are in compliance with:  
The Supply of Machinery (Safety) Regulations, 2008, S.I. 2008/1597 (as amended),  
EN62841-1:2015, EN62841-2-1:2018+A11:2019.

These products conform to the following UK Regulations:  
Electromagnetic Compatibility Regulations, 2016,  
S.I.2016/1091 (as amended).

The Restriction of the Use of Certain Hazardous Substances in Electrical and Electronic Equipment Regulations 2012, S.I. 2012/3032 (as amended).

For more information, please contact Black & Decker at the following address or refer to the back of the manual.

The undersigned is responsible for compilation of the technical file and makes this declaration on behalf of  
Black & Decker.

Ed Higgins  
Director - Consumer Power Tools  
Black & Decker UK, 270 Bath Road, Slough  
Berkshire, SL1 4DX  
United Kingdom  
10/08/2021

## EC declaration of conformity

MACHINERY DIRECTIVE



BDCHD18 - Impact drill

Black & Decker declares that these products described under "technical data" are in compliance with:  
2006/42/EC, EN62841-1:2015, EN62841-2-1:2018+A11:2019.  
These products also comply with Directives 2014/30/EU and 2011/65/EU. For more information, please contact Black & Decker at the following address or refer to the back of the manual.

The undersigned is responsible for compilation of the technical file and makes this declaration on behalf of Black & Decker .

*Patrick Diepenbach*

Patrick Diepenbach  
General Manager, Benelux  
Black & Decker ,  
Egide Walschaertsstraat 14-18  
2800 Mechelen, Belgium  
10/08/2021

## Garantie

Black & Decker is confident of the quality of its products and offers consumers a 24-month guarantee from the date of purchase.

This guarantee is in addition to and in no way prejudices your statutory rights.

The guarantee is valid within the territories of the Member States of the European Union, the European Free Trade Area and the United Kingdom.

To claim on the guarantee, the claim must be in accordance with Black & Decker Terms and Conditions and you will need to submit proof of purchase to the seller or an authorised repair agent.

Terms and conditions of the Black & Decker 2-year guarantee and the location of your nearest authorised repair agent can be obtained on the Internet at [www.2helpU.com](http://www.2helpU.com), or by contacting your local Black & Decker office at the address indicated in this manual.

Please visit our website [www.blackanddecker.co.uk](http://www.blackanddecker.co.uk) to register your new Black & Decker product and receive updates on new products and special offers.

## Verwendungszweck

Ihr BLACK+DECKER BDCHD18 Akku-Bohrschrauber ist für Schraub- und Bohrarbeiten in Holz, Metall und Mauerwerk ausgelegt. Dieses Gerät ist nicht für den gewerblichen Einsatz vorgesehen.

## Sicherheitshinweise

### Allgemeine Sicherheitswarnungen für das Gerät



**Warnung! Beachten Sie alle Sicherheitshinweise, Anweisungen, Darstellungen und Daten, die Sie mit dem Gerät erhalten.** Wenn Sie die folgenden Anweisungen nicht beachten, kann es zu elektrischem Schlag, Feuer und/oder schweren Verletzungen kommen.

**Bewahren Sie alle Warnhinweise und alle Anweisungen gut auf.** Der nachfolgend verwendete Begriff „Gerät“ oder „Elektrowerkzeug“ bezieht sich auf netzbetriebene Geräte (mit Netzkabel) und auf akkubetriebene Geräte (ohne Netzkabel).

#### 1. Sicherheit im Arbeitsbereich

- a. **Halten Sie den Arbeitsbereich sauber und gut ausgeleuchtet.** Unaufgeräumte oder dunkle Bereiche begünstigen Unfälle.
- b. **Betreiben Sie Elektrowerkzeuge nicht in explosionsgefährdeten Umgebungen, in denen sich z. B. brennbare Flüssigkeiten, Gase oder Staub befinden.** Elektrowerkzeuge erzeugen Funken, die den Staub oder die Dämpfe entzünden können.
- c. **Halten Sie Kinder und Zuschauer fern, während Sie ein Elektrogerät betreiben.** Ablenkung kann dazu führen, dass Sie die Kontrolle über das Gerät verlieren.

#### 2. Elektrische Sicherheit

- a. **Der Stecker des Elektrogerätes muss in die Steckdose passen. Ändern Sie niemals den Stecker in irgendeiner Form. Verwenden Sie keinerlei Adapterstecker an geerdeten Elektrogeräten.** Unveränderte Stecker und passende Steckdosen mindern die Gefahr eines elektrischen Schlages.
- b. **Vermeiden Sie Körperkontakt mit geerdeten Flächen, wie Rohre, Radiatoren, Herde und Kühlgeräte.** Es besteht eine erhöhte Gefahr für einen elektrischen Schlag, wenn Ihr Körper geerdet ist.
- c. **Setzen Sie Elektrogeräte keinem Regen oder feuchter Umgebung aus.** Wenn Wasser in das Elektrogerät eindringt, erhöht sich die Gefahr eines elektrischen Schlages.
- d. **Behandeln Sie das Kabel sorgfältig. Verwenden Sie niemals das Kabel, um das Elektrogerät zu tragen oder durch Ziehen vom Netz zu trennen. Halten Sie das Kabel fern von Hitze, Öl, scharfen Kanten oder**

- beweglichen Teilen.** Beschädigte oder verhedderte Kabel erhöhen die Gefahr eines elektrischen Schlages.
- e. **Wenn Sie ein Elektrogerät im Freien betreiben, verwenden Sie ein für den Außeneinsatz geeignetes Verlängerungskabel.** Die Verwendung von für den Außeneinsatz geeigneten Kabeln mindert die Gefahr eines elektrischen Schlages.
- f. **Wenn der Betrieb eines Elektrogerätes in feuchter Umgebung unzugänglich ist, verwenden Sie eine durch einen Fehlerstromschutzschalter (FI-Schalter oder RCD) geschützte Stromversorgung.** Der Einsatz eines Fehlerstromschutzschalters mindert die Gefahr eines elektrischen Schlages.
3. **Sicherheit von Personen**
- a. **Seien Sie aufmerksam, achten Sie darauf, was Sie tun, und gehen Sie mit Vernunft an die Arbeit mit einem Elektrowerkzeug. Benutzen Sie kein Gerät, wenn Sie müde sind oder unter dem Einfluss von Drogen, Alkohol oder Medikamenten stehen.** Ein Moment der Unachtsamkeit beim Betrieb eines Elektrogerätes kann zu schweren Verletzungen führen.
- b. **Tragen Sie persönliche Schutzausrüstung. Tragen Sie immer einen Augenschutz.** Das Tragen persönlicher Schutzausrüstung, wie Staubmaske, rutschfeste Sicherheitsschuhe, Schutzhelm oder Gehörschutz, je nach Art und Einsatz des Elektrowerkzeuges, verringert das Risiko von Verletzungen.
- c. **Vermeiden Sie unbeabsichtigtes Starten. Vergewissern Sie sich, dass das Gerät ausgeschaltet ist, bevor Sie es an eine Steckdose oder einen Akku anschließen, es hochheben oder tragen.**  
Wenn Sie beim Tragen des Elektrowerkzeuges den Finger am Schalter haben oder das Gerät eingeschaltet an die Stromversorgung anschließen, kann dies zu Unfällen führen.
- d. **Entfernen Sie alle Einstellschlüssel oder Werkzeuge, bevor Sie das Elektrogerät einschalten.** Werkzeuge oder Schlüssel, die an rotierenden Teilen des Elektrogerätes angebracht sind, können zu Verletzungen führen.
- e. **Vermeiden Sie eine anormale Körperhaltung. Sorgen Sie für einen sicheren Stand und halten Sie jederzeit das Gleichgewicht.** Dadurch können Sie das Elektrowerkzeug in unerwarteten Situationen besser kontrollieren.
- f. **Tragen Sie geeignete Kleidung. Tragen Sie keine weite Kleidung und keinen Schmuck. Halten Sie Ihre Haare, Kleidung und Handschuhe von beweglichen Teilen fern.** Lose sitzende Kleidung, Schmuck oder lange Haare können sich in den beweglichen Teilen verfangen.
- g. **Wenn Geräte für den Anschluss an eine Staubabsaugung und Staubsammlung vorgesehen sind, vergewissern Sie sich, dass diese richtig angeschlossen sind und verwendet werden.** Der Einsatz von Staubsammlern kann staubbedingte Gefahren mindern.
- h. **Vermeiden Sie, durch die häufige Nutzung des Werkzeugs in einen Trott zu verfallen und Prinzipien für die Werkzeugsicherheit zu ignorieren.** Eine unachtsame Aktion kann im Bruchteil einer Sekunde zu schweren Verletzungen führen.
4. **Gebrauch und Pflege von Geräten**
- a. **Überlasten Sie das Elektrogerät nicht. Verwenden Sie das für Ihre Arbeit passende Gerät.** Das richtige Gerät wird die Aufgabe besser und sicherer erledigen, wenn es bestimmungsgemäß verwendet wird.
- b. **Benutzen Sie kein Elektrowerkzeug, dessen Schalter defekt ist.** Ein Elektrowerkzeug, das sich nicht mehr ein- oder ausschalten lässt, ist gefährlich und muss repariert werden.
- c. **Trennen Sie den Stecker vom Netz und/oder, falls abnehmbar, den Akku vom Elektrogerät, bevor Sie Einstellungen am Gerät vornehmen, Zubehör wechseln oder es aufbewahren.** Diese Vorbeugemaßnahmen mindern die Gefahr, dass das Elektrogerät unbeabsichtigt startet. Diese Vorbeugemaßnahmen mindern die Gefahr, dass das Elektrogerät unbeabsichtigt startet.
- d. **Bewahren Sie nicht verwendete Elektrogeräte für Kinder unerreichbar auf und lassen Sie nicht zu, dass Personen ohne Erfahrung mit dem Elektrogerät oder mit diesen Anweisungen das Elektrogerät bedienen.** Elektrogeräte sind in den Händen nicht geschulter Personen gefährlich.
- e. **Halten Sie das Gerät und sein Zubehör in einem einwandfreien Zustand. Kontrollieren Sie, ob bewegliche Teile falsch ausgerichtet sind oder klemmen und ob Teile gebrochen oder so beschädigt sind, dass die Funktion des Geräts beeinträchtigt ist. Bei Beschädigungen lassen Sie das Gerät reparieren, bevor Sie es verwenden.** Viele Unfälle entstehen wegen mangelnder Wartung der Elektrogeräte.
- f. **Halten Sie Schneidwerkzeuge scharf und sauber.** Richtig gewartete Schneidwerkzeuge mit scharfen Klingen blockieren seltener und sind leichter unter Kontrolle zu halten.
- g. **Verwenden Sie Elektrogeräte, Zubehör und Einsätze (Bits) usw. gemäß diesen Anweisungen und unter Berücksichtigung der Arbeitsbedingungen und der Aufgabe.** Wenn Sie das Elektrogerät für Aufgaben verwenden, die nicht bestimmungsgemäß sind, kann dies zu gefährlichen Situationen führen.
- h. **Halten Sie die Griffe trocken, sauber und frei von Öl und Fett.** Rutschige Griffe und Oberflächen unterbinden die sichere Bedienbarkeit und Kontrolle über das Werkzeug in unerwarteten Situationen.

## 5. Gebrauch und Pflege von Akkuwerkzeugen

**Laden Sie die Akkus nur in Ladegeräten auf, die vom Hersteller angegeben wurden.** Für ein Ladegerät, das nur für eine bestimmte Akkuart geeignet ist, besteht Brandgefahr, wenn es mit anderen Akkus verwendet wird.

- a. **Verwenden Sie nur die für das jeweilige Gerät vorgesehenen Akkus.** Die Verwendung anderer Akkus kann zu Verletzungen oder Bränden führen.
- b. **Bewahren Sie den Akku bei Nichtbenutzung nicht in der Nähe metallischer Objekte wie Büroklammern, Münzen, Schlüsseln, Nägeln oder Schrauben auf, da diese eine Verbindung zwischen beiden Polen des Akkus herstellen können.** Durch den dadurch entstehenden Kurzschluss kann der Akku in Brand geraten.
- c. **Bei falscher Anwendung kann Flüssigkeit aus dem Akku austreten. Vermeiden Sie den Kontakt damit. Bei unbeabsichtigtem Kontakt mit Wasser abspülen. Gelangt die Flüssigkeit in die Augen, ziehen Sie außerdem ärztliche Hilfe hinzu.** Austretende Akkufflüssigkeit kann zu Hautreizungen oder Verbrennungen führen.
- d. **Verwenden Sie keine Akkus oder Werkzeuge, die beschädigt sind oder modifiziert wurden.** Beschädigte oder modifizierte Akkus können sich unvorhersehbar verhalten und stellen ein Risiko von Feuer, Explosionen oder Verletzungen dar.
- e. **Setzen Sie Akkus und Werkzeuge keinem Feuer oder extremen Temperaturen aus.** Die Belastung durch Feuer oder Temperaturen über 130 °C kann zur Explosion führen.
- f. **Befolgen Sie alle Anweisungen zum Aufladen und laden Sie den Akku oder das Werkzeug nicht jenseits des in der Anleitung angegebenen Temperaturbereichs auf.** Das falsche Aufladen oder das Aufladen bei Temperaturen jenseits des angegebenen Bereichs kann den Akku beschädigen und das Brandrisiko erhöhen.

## 6. Service

- a. **Lassen Sie Ihr Elektrowerkzeug nur von qualifiziertem Fachpersonal und nur mit Original- Ersatzteilen reparieren.** Damit wird sichergestellt, dass die Sicherheit des Gerätes erhalten bleibt.
- b. **Führen Sie an beschädigten Akkus niemals Wartungsarbeiten durch.** Die Wartung von Akkus darf nur vom Hersteller oder von autorisierten Dienstleistern durchgeführt werden.

- Halten Sie das Elektrowerkzeug an den isolierten Griffflächen, wenn Sie Arbeiten ausführen, bei denen das Schneidzubehör verborgene Kabel berühren könnte. Der Kontakt des Schneidzubehörs mit einem „stromführenden“ Draht kann freiliegende Metallteile des Elektrowerkzeugs „stromführend“ machen und dem Bediener einen Stromschlag versetzen.
- Tragen Sie beim Schlagbohren Gehörschutz.
- Lärmbelastung kann zu Hörverlust führen.
- Befestigen und stützen Sie das Werkstück mit Klammern oder einer anderen praktischen Methode auf einer stabilen Plattform. Wenn Sie das Werkstück mit der Hand oder am Körper halten, wird es instabil und kann zum Verlust der Kontrolle führen.
- Bevor Sie Befestigungselemente in Wände, Böden oder Decken eintreiben, prüfen Sie die Lage der Leitungen und Rohre.
- Der bestimmungsgemäße Gebrauch ist in dieser Bedienungsanleitung beschrieben.
- Die Verwendung von Zubehörteilen oder Zusatzgeräten oder die Ausführung von Arbeiten mit diesem Werkzeug, die nicht in dieser Bedienungsanleitung empfohlen werden, kann das Risiko von Personen- und/oder Sachschäden bergen.

## Sicherheitshinweise bei Verwendung langer Bohrerbits

- Niemals mit einer höheren Drehzahl als der maximalen Drehzahl des Bohrers arbeiten. Bei höheren Drehzahlen kann sich der Bohrer leicht verbiegen, wenn er sich frei drehen kann, ohne das Werkstück zu berühren, was zu Verletzungen führen kann.
- Beginnen Sie beim Bohren immer mit niedriger Drehzahl und so, dass die Bohrer Spitze in Kontakt mit dem Werkstück ist. Bei höheren Drehzahlen kann sich der Bohrer leicht verbiegen, wenn er sich frei drehen kann, ohne das Werkstück zu berühren, was zu Verletzungen führen kann.
- Üben Sie Druck nur in direkter Linie mit dem Bohrerbit aus und üben Sie keinen übermäßigen Druck aus. Bits können sich verbiegen, was zu einem Bruch oder Kontrollverlust und dadurch zu Verletzungen führen kann.

## Sicherheit anderer Personen

- Dieses Gerät darf nicht von Personen (einschließlich Kindern) mit eingeschränkten körperlichen, sensorischen oder geistigen Fähigkeiten oder mangelnder Erfahrung und Wissen in Bezug auf dessen Gebrauch bedient werden, es sei denn, sie werden bei der Verwendung des Geräts von einer erfahrenen Person beaufsichtigt oder angeleitet.
- Kinder müssen beaufsichtigt werden, um sicherzustellen, dass sie nicht mit dem Gerät spielen.

## Zusätzliche Sicherheitswarnungen für das Gerät



**Warnung!** Zusätzliche Sicherheitswarnungen für Bohrmaschinen.

## Restrisiken

Beim Gebrauch dieses Geräts verbleiben zusätzliche Restrisiken, die möglicherweise nicht in den Sicherheitswarnungen genannt werden. Diese Risiken bestehen beispielsweise bei Missbrauch oder längerem Gebrauch.

Auch bei der Einhaltung der entsprechenden Sicherheitsvorschriften und der Verwendung aller Sicherheitsgeräte bestehen weiterhin bestimmte Restrisiken. Diese sind:

- Verletzungen, die durch das Berühren von sich drehenden/bewegenden Teilen verursacht werden.
- Verletzungen, die durch das Austauschen von Teilen, Sägeblättern oder Zubehör verursacht werden.
- Verletzungen, die durch längeren Gebrauch eines Geräts verursacht werden. Legen Sie bei längerem Gebrauch regelmäßige Pausen ein.
- Beeinträchtigung des Gehörs.
- Gesundheitsrisiken durch das Einatmen von Staub beim Gebrauch des Geräts (beispielsweise bei Holzarbeiten, insbesondere Eiche, Buche und Pressspan)

## Vibration

Die in den Abschnitten „Technische Daten“ und „EU-Konformitätserklärung“ angegebenen Werte für die Vibrationsemission wurden mit einer Standard-Prüfmethode nach EN 62841 ermittelt und können zum Vergleich verschiedener Geräte herangezogen werden. Außerdem kann mit Hilfe dieses Werts die Belastung bei Verwendung des Geräts schon im Voraus eingeschätzt werden.

**Warnung!** Die bei Verwendung des Geräts auftretende Vibrationsemission hängt von der Art des Gerätegebrauchs ab und kann dementsprechend von dem angegebenen Wert abweichen. Gegebenenfalls kann die Vibration über dem angegebenen Wert liegen.

Für die Ermittlung der Vibrationsbelastung müssen die tatsächlichen Einsatzbedingungen und Verwendungen des Geräts während des gesamten Arbeitsgangs berücksichtigt werden, einschließlich der Zeiten, wenn das Gerät nicht verwendet oder im Leerlauf betrieben wird. Diese Werte werden benötigt, um die gemäß 2002/44/EG erforderlichen Sicherheitsmaßnahmen zum Schutz von Personen festlegen zu können.

## Etiketten am Werkzeug

Am Gerät sind die folgenden Warnsymbole inkl. Datumscodage angebracht:



**Warnung!** Lesen Sie vor Gebrauch die Anleitung. Andernfalls besteht Verletzungsgefahr.



Starren Sie nicht auf die Operationslampe.

## Zusätzliche Sicherheitshinweise für Akkus und Ladegeräte (nicht im Lieferumfang enthalten)

### Akkus

- Keinesfalls versuchen, den Akku zu öffnen.
- Achten Sie darauf, dass der Akku nicht mit Wasser in Berührung kommt.
- Nicht bei Temperaturen über 40 °C lagern.
- Laden Sie den Akku nur bei Umgebungstemperaturen von 10 °C bis 40 °C auf.
- Verwenden Sie ausschließlich das mitgelieferte Ladegerät.
- Beachten Sie zur Entsorgung von Akkus oder Batterien die Hinweise im Abschnitt „Umweltschutz“.



Versuchen Sie nie, beschädigte Akkus aufzuladen.

### Ladegeräte

- Verwenden Sie das BLACK+DECKER Ladegerät nur für den Akku des Werkzeugs, mit dem es geliefert wurde. Andere Akkus können platzen und Sachschäden oder Verletzungen verursachen.
- Versuchen Sie keinesfalls, nicht aufladbare Batterien zu laden.
- Lassen Sie beschädigte Kabel sofort austauschen.
- Achten Sie darauf, dass das Ladegerät nicht mit Wasser in Berührung kommt.
- Versuchen Sie nicht, das Ladegerät zu öffnen.
- Nehmen Sie am Ladegerät keine Veränderungen vor.



Das Ladegerät darf nur im Innenbereich verwendet werden.



Vor Gebrauch die Anleitung lesen.

## Elektrische Sicherheit



Das Ladegerät ist schutzisoliert, daher ist keine Erdleitung erforderlich. Stellen Sie sicher, dass die Netzspannung der auf dem Typenschild des Geräts angegebenen Spannung entspricht. Ersetzen Sie das Ladegerät keinesfalls durch ein normales Netzkabel.

- Bei einer Beschädigung des Netzkabels muss dieses durch den Hersteller oder eine BLACK+DECKER Vertragswerkstatt ausgetauscht werden, um mögliche Gefahren zu vermeiden.

## Merkmale

Dieses Gerät verfügt über einige oder alle der folgenden Merkmale:

1. Drehzahl-Regelschalter
2. Vor-/Zurück-Wahlschalter
3. Drehmomenteinstellung
4. Schnellspannfutter
5. Dualgetriebe
6. LED-Arbeitsleuchte
7. Akku
8. Akku-Löseknöpfe
9. Schraubendreher-Bithalter

## Montage

### Verwendung

**Warnung!** Beschleunigen Sie den Arbeitsvorgang nicht mit Gewalt. Vermeiden Sie eine Überlastung.

### Laden des Akkus (Abb. A)

Der Akku muss vor der erstmaligen Benutzung sowie immer dann aufgeladen werden, wenn das Gerät nicht mehr mit voller Leistung arbeitet. Der Akku kann sich während des Aufladens erwärmen. Das ist normal und deutet nicht auf ein Problem hin.

**Warnung!** Laden Sie den Akku nicht, wenn die Umgebungstemperatur unter 10 °C oder über 40 °C liegt. Empfohlene Ladetemperatur: ca. 24 °C.

**HINWEIS:** Ein Akku, bei dem die Temperatur der Akkuzellen unter ca. 10 °C oder über 40 °C liegt, wird vom Ladegerät nicht geladen.

**Lassen Sie in diesem Fall den Akku im Ladegerät. Das Ladegerät beginnt automatisch mit dem Ladevorgang, sobald sich die Zellen erwärmt bzw. abgekühlt haben.**

- Stecken Sie das Ladegerät in eine Standardsteckdose mit 230 Volt, 50 Hz.
- Schieben Sie den Akku wie in Abb. A gezeigt in das Ladegerät ein.
- Die grüne LED blinkt, wenn der Akku geladen wird.
- Der Abschluss des Ladevorgangs wird dadurch angezeigt, dass die grüne LED dauerhaft leuchtet. Der Akku ist vollständig aufgeladen und kann jetzt verwendet oder in der Ladestation gelassen werden.

**Warnung!** Feuergefahr. Wenn Sie das Ladegerät vom Werkzeug trennen, müssen Sie das Ladegerät zuerst aus der Steckdose ziehen und dann das Kabel des Ladegeräts vom Werkzeug trennen.

### Anbringen und Entfernen des Akkus (Abb. B)

**Warnung!** Der Verriegelungsknopf muss eingerastet sein, damit keine unbeabsichtigte Bedienung des Ein-/Aus-Schalters vor dem Anbringen bzw. Entfernen des Akkus erfolgen kann.

### Anbringen des Akkus:

- Setzen Sie den Akku in das Werkzeug ein, bis ein Klicken zu hören ist (Abb. B)

### Entfernen des Akkus aus dem Werkzeuggriff (Abb. C)

- Drücken Sie den Akku-Löseknopf wie gezeigt (Abb. C) und ziehen Sie den Akku aus dem Werkzeug.

## Betriebsanleitung

### Auslöseschalter & Richtungswahlschalter

- Die Bohrmaschine wird ein- und ausgeschaltet, indem der Auslöseschalter (1) gedrückt und wieder losgelassen wird. Je tiefer der Auslöseschalter gedrückt wird,
- umso höher ist die Drehzahl des Bohrers.
- Der Vor-/Zurück-Schaltknopf (2) bestimmt die Drehrichtung und fungiert zudem als Einschaltsperr.
- Für die Vorwärtsdrehung lassen Sie den Auslöseschalter los, und schieben Sie den Vor-/Zurück-Schaltknopf nach links.
- Um die Drehrichtung zu ändern, drücken Sie den Vor-/Zurück-Schaltknopf in die entgegengesetzte Richtung.

**HINWEIS:** In der mittleren Stellung des Reglers ist das Werkzeug in der AUS-Stellung verriegelt. Achten Sie darauf, dass der Auslöseschalter entriegelt ist, wenn Sie diesen Regler verstellen.

### Drehmomentregelung (Abb. D)

Dieses Gerät verfügt über eine Drehmomentvorwahl (3) zur Auswahl des Betriebsmodus und des Drehmoments zum Festziehen von Schrauben. Für große Schrauben und härtere Werkstücke muss ein größeres Drehmoment eingestellt werden als für kleine Schrauben und weiche Werkstücke.

- Um Bohrungen in Holz, Metall oder Kunststoff vorzunehmen, stellen Sie an der Drehmomentvorwahl das Symbol zum Bohren ein.
- Zum Ausführen von Schraubarbeiten stellen Sie an der Drehmomentvorwahl den gewünschten Wert ein. Sollten Ihnen die jeweils erforderlichen Einstellungen noch nicht bekannt sein, gehen Sie wie folgt vor:
- Stellen Sie an der Drehmomentvorwahl das niedrigste Drehmoment ein.
- Ziehen Sie mit dieser Einstellung die erste Schraube fest.
- Wenn die Kupplung vor der gewünschten Festigkeit der Schraubverbindung rattert, erhöhen Sie die Drehmomenteinstellung, und fahren Sie fort. Wiederholen Sie diesen Vorgang so lange, bis Sie die richtige Einstellung gefunden haben. Verwenden Sie diese Einstellung auch für die übrigen Schrauben.

### Schnellspannbohrfutter (Abb. E)

**Warnung!** Der Verriegelungsknopf muss eingerastet sein, damit keine unbeabsichtigte Bedienung des Ein-/Aus-Schalters vor dem Entfernen bzw. Anbringen von Zubehör erfolgen kann.

So setzen Sie einen Bohreinsatz oder ein anderes Zubehörteil ein:

- Halten Sie die hintere Hälfte des Bohrfutters (4) mit einer Hand. Verwenden Sie die andere Hand, um die vordere Hälfte im Uhrzeigersinn zu drehen (vom Ende des Bohrfutters aus gesehen).



- Setzen Sie den Bohreinsatz oder ein anderes Zubehörteil ordnungsgemäß in das Bohrfutter ein, und ziehen Sie das Bohrfutter wieder fest, indem Sie die hintere Hälfte des Bohrfutters festhalten und den vorderen Teil im Uhrzeigersinn drehen (mit Blickrichtung vom Bohrfutter).

Warnung! Versuchen Sie niemals, Bohreinsätze oder andere Zubehörteile festzuziehen, indem Sie den vorderen Teil des Bohrfutters festhalten und das Gerät einschalten. Dabei kann das Spannfutter beschädigt werden und es kann zu schweren Verletzungen kommen.

### Zweigangetriebe (Abbildung F)

Das Zweigangetriebe an Ihrem Bohrer ermöglicht den Gangwechsel für eine größere Anpassungsfähigkeit. Zur Auswahl der niedrigen Geschwindigkeit mit hohem Drehmoment (Position 1) schalten Sie das Gerät aus und lassen es auslaufen. Schieben Sie den Gangschalterknopf (5) zurück, d.h. vom Spannfutter weg. Zur Auswahl der hohen Geschwindigkeit mit niedrigem Drehmoment (Position 2) schalten Sie das Gerät aus und lassen es auslaufen.

Schieben Sie den Gangschalterknopf nach vorne zum Spannfutter.

**HINWEIS:** Ändern Sie nicht den Gang, während das Gerät sich dreht. Bei Problemen beim Gangwechsel prüfen Sie, dass der Zweigangetriebewähler entweder komplett nach vorne oder hinten geschoben ist.

### Bohren/Schrauben

- Wählen Sie mithilfe des Vor-/Zurückwahlschalters (2) die Vorwärts- bzw. Rückwärtsdrehung aus.
- Drücken Sie zum Einschalten des Geräts den Schalter (1). Die Leistung des Geräts ist davon abhängig, wie tief Sie den Schalter hineindrücken.
- Lassen Sie zum Ausschalten des Geräts den Schalter los.

### Hinweise für optimale Arbeitsergebnisse

#### Bohren

- Verwenden Sie nur scharfe Bohrerbits.
- Unterstützen und sichern Sie Werkstücke angemessen, wie in den Sicherheitshinweisen beschrieben.
- Verwenden Sie die richtige und erforderliche Sicherheitsausrüstung, wie in den Sicherheitshinweisen beschrieben.
- Sichern Sie den Arbeitsbereich und halten Sie ihn aufgeräumt, wie in den Sicherheitshinweisen beschrieben.
- Lassen Sie den Bohrer sehr langsam und nur mit leichtem Druck laufen, bis das Loch groß genug ist, dass der Bohreinsatz nicht mehr herausrutschen kann.
- Üben Sie nur parallel zum Bohreinsatz Druck aus. Der ausgeübte Druck darf nicht größer sein als für den Bohrvorgang erforderlich. Bei zu hohem Druck blockiert der Motor oder der Bohreinsatz wird beschädigt.

- Halten Sie das Gerät mit beiden Händen fest, damit Sie es besser führen können.
- WENN DER BOHRER BLOCKIERT IST, VERSUCHEN SIE NICHT, IHN DURCH WIEDERHOLTES BETÄTIGEN DES EIN-/AUSSCHALTERS WIEDER ZUM LAUFEN ZU BRINGEN. DER BOHREINSATZ KANN DADURCH BESCHÄDIGT WERDEN.
- Verringern Sie im letzten Teil des Bohrlochs den Druck und die Geschwindigkeit, um ein Blockieren beim Durchbohren zu vermeiden.
- Lassen Sie den Motor an, während Sie den Bohrer aus einem gebohrten Loch ziehen. Dadurch wird verhindert, dass der Bohreinsatz einklemmt.
- Stellen Sie sicher, dass sich der Bohrer über den Schalter ein- und ausschalten lässt.

### Bohren in Holz

Holz kann entweder mit denselben Spiralbohreinsätzen bearbeitet werden, die auch für Metall verwendet werden, oder mit Spitzbohrern. Die Bohreinsätze sollten spitz sein und regelmäßig entnommen werden, um das Gerät von Spänen zu säubern.

### Bohren in Metall

Verwenden Sie beim Bohren in Metall ein Schneidöl. Ausnahmen sind Gusseisen und Messing, die trocken gebohrt werden müssen. Die besten Schmierstoffe sind schwefelhaltiges Schneidöl oder Schmalzöl.

### Bohren in Mauerwerk

Stellen Sie zum Bohren in Mauerwerk die Drehmomentvorwahl (3) auf die Position zum Schlagbohren ein, indem Sie das Symbol an der Markierung ausrichten. Schieben Sie den Geschwindigkeitsregler (5) nach vorn (zweiter Gang).

### Schraubarbeiten

- Verwenden Sie stets Schraubendrehereinsätze der richtigen Art und Größe.
- Sollten beim Festziehen von Schrauben Schwierigkeiten auftreten, verwenden Sie etwas Spülmittel oder Seife als Schmiermittel.
- Halten Sie das Gerät und den Schraubendrehereinsatz stets in gerader Linie zur Schraube.



## Fehlerbehebung

Problem	Mögliche Ursache	Mögliche Lösung
Gerät startet nicht.	Akku nicht geladen.	Prüfen Sie die erforderliche Ladekapazität.
Akku lädt nicht.	Das Ladegerät ist nicht mit dem Stromnetz verbunden.  Umgebungstemperatur zu hoch oder zu niedrig.	Stecken Sie den Stecker des Ladegeräts in eine aktive Steckdose.  Bringen Sie das Ladegerät und den Akku an einen Ort, der eine Umgebungstemperatur von über 4,5°C und unter +40,5°C aufweist.
Das Gerät schaltet sich unerwartet aus.	Der Akku hat seine thermische Belastungsgrenze erreicht.  Akku ist entladen. (Um die Lebensdauer des Akkus zu maximieren, wurde er so konzipiert, dass er sich sofort abschaltet, wenn die Ladung aufgebraucht ist.	Lassen Sie den Akku abkühlen.  Bringen Sie ihn am Ladegerät an, so dass er aufgeladen wird.

## Wartung

Ihr BLACK+DECKER Gerät wurde im Hinblick auf eine lange Lebensdauer und einen möglichst geringen Wartungsaufwand entwickelt. Ein kontinuierlicher, zufriedenstellender Betrieb hängt von der richtigen Pflege des Gerätes und seiner regelmäßigen Reinigung ab.

Das Ladegerät benötigt keine Wartung, es sollte jedoch regelmäßig gereinigt werden.

**Warnung!** Entfernen Sie vor jeglichen Wartungsarbeiten am Gerät den Akku aus dem Gerät. Trennen Sie das Ladegerät von der Stromversorgung, bevor Sie es reinigen.

- Reinigen Sie regelmäßig die Lüftungsschlitze des Gerätes und des Ladegeräts mit einer weichen Bürste oder einem trockenen Tuch.
- Reinigen Sie das Motorgehäuse regelmäßig mit einem feuchten Tuch.
- Verwenden Sie keine scheuernden Reinigungsmittel oder Reinigungsmittel auf Lösungsmittelbasis.
- Öffnen Sie regelmäßig das Bohrfutter, und entfernen Sie durch Klopfen Staub aus dem Inneren des Geräts.

## Umweltschutz



Getrennte Entsorgung. Produkte und Akkus mit diesem Symbol dürfen nicht mit dem normalen Hausmüll entsorgt werden.

Produkte und Akkus enthalten Materialien, die wiederverwertet werden können, um den Bedarf an Rohstoffen zu verringern. Bitte recyceln Sie elektrische Produkte und Akkus gemäß den örtlichen Bestimmungen. Weitere Informationen finden Sie auf [www.2helpu.com](http://www.2helpu.com).

## Technische Daten

		BDCHD18
Spannung	$V_{DC}$	18
Leerlaufdrehzahl	$Min^{-1}$	0-400 / 0-1500
Max. Drehmoment	Nm	17,5/40
Bohrfutterspannweite	mm	1-10
Maximale Bohrtiefe		
Stahl/Holz/Mauerwerk	mm	10/25/10
Gewicht	kg	0,90 (mit Akku 1,30)

Ladegerät	S010***400040 SSC-250040**	S018***800100 SSC-200100**	90599854**	BDC2A 90606845
Eingangsspannung	$V_{AC}$ 100 - 240	220 - 240	230	230
Ausgangsspannung	$V_{DC}$ 8 - 20	8 - 20	18	18
Stromstärke	mA 400	1000	1000	2000
Ungefähre Ladezeit	Stunden 4 - 10	1,5 - 4	1,5 - 4	0,75 - 2

Akku	BL1518	BL2018	BL2518	BL4018
Spannung	$V_{DC}$ 18	18	18	18
Kapazität	Ah 1,5	2,0	2,5	4,0
Typ	Li-Ionen	Li-Ionen	Li-Ionen	Li-Ionen

### Schalldruckpegel gemäß EN 62841:

Schalldruck ( $L_{pA}$ ) 88 dB(A), Unsicherheitsfaktor (K) 3 dB(A)

Schalleistung ( $L_{WA}$ ) 99 dB(A), Unsicherheitsfaktor (K) 3 dB(A)

### Gesamtvibration (Triax-Vektorsumme) gemäß EN 62841:

Schlagbohren in Beton ( $a_{h,D}$ ) 13,4  $m/s^2$ , Unsicherheitsfaktor (K) 1,5  $m/s^2$

Metallbohren ( $a_{h,D}$ ) <2,8  $m/s^2$ , Unsicherheitsfaktor (K) 1,5  $m/s^2$

## EU-Konformitätserklärung

MASCHINENRICHTLINIE



BDCHD18 – Akku-Bohrschrauber

Black & Decker erklärt, dass die unter „Technische Daten“ beschriebenen Geräte übereinstimmen mit: 2006/42/EG, EN62841-1:2015, EN62841-2-1:2018+A11:2019.

Diese Produkte entsprechen außerdem den Richtlinien, 2014/30/EU und 2011/65/EU. Weitere Informationen erhalten Sie von Black & Decker unter der folgenden Adresse. Diese befindet sich auch auf der Rückseite dieser Anleitung.

Der Unterzeichnete ist verantwortlich für die Zusammenstellung des technischen Dossiers und gibt diese Erklärung im Namen von Black & Decker ab.

*Patrick Diepenbach*

Patrick Diepenbach  
General Manager, Benelux  
Black and Decker,  
Egide Walschaertsstraat 14-18  
2800 Mechelen, Belgien  
10/08/2021

## Garantie

Black & Decker vertraut auf die Qualität der eigenen Geräte und bietet dem Käufer eine außergewöhnliche Garantie von 24 Monaten ab Kaufdatum. Diese Garantie versteht sich unbeschadet der gesetzlichen Gewährleistungsansprüche und schränkt diese keinesfalls ein. Diese Garantie gilt innerhalb der Staatsgebiete der Mitgliedstaaten der Europäischen Union, der Europäischen Freihandelszone und des Vereinigten Königreichs.

Zur Inanspruchnahme dieser Garantie muss sie den allgemeinen Geschäftsbedingungen von Black & Decker entsprechen und dem Verkäufer bzw. der Vertragswerkstatt ist ein Kaufnachweis vorzulegen.

Die Bedingungen für die 2-jährige Garantie von Black & Decker und den Standort Ihrer nächstgelegenen Vertragswerkstatt finden Sie im Internet unter [www.2helpu.com](http://www.2helpu.com), oder indem Sie sich an die lokale Black & Decker-Niederlassung wenden, deren Adresse Sie in dieser Anleitung finden.

Bitte besuchen Sie unsere Website unter

[www.blackanddecker.co.uk](http://www.blackanddecker.co.uk), um Ihr neues Black & Decker Produkt zu registrieren und um Updates zu neuen Produkten und Sonderangeboten zu erhalten.

## Utilisation prévue

Votre perceuse BLACK+DECKER BDCHD18 a été conçue pour visser et pour percer le bois, le métal et le plastique. Cet outil est destiné à un usage grand public uniquement.

## Consignes de sécurité

### Avertissements de sécurité générale propres aux outils électriques



**Avertissement ! Veuillez lire tous les avertissements de sécurité, toutes les instructions, toutes les illustrations et toutes les spécifications fournies avec cet outil électrique.** Le non-respect de toutes les instructions listées ci-dessous peut conduire à des décharges électriques, des incendies et/ou de graves blessures.

**Conservez tous les avertissements et toutes les instructions afin de pouvoir vous y référer dans le futur.** Le terme "outil électrique" mentionné dans tous les avertissements listés ci-dessous fait référence à vos outils électriques branchés sur secteur (avec câble) ou fonctionnant sur pile ou batterie (sans fil).

#### 1. Sécurité de la zone de travail

- a. **Gardez la zone de travail propre et bien éclairée.** Les zones sombres ou encombrées sont propices aux accidents.
- b. **N'utilisez pas d'outils électriques dans un environnement présentant des risques d'explosion ou en présence de liquides, gaz ou poussières inflammables.** Les outils électriques créent des étincelles qui peuvent enflammer les poussières et les fumées.
- c. **Maintenez les enfants et les autres personnes à l'écart lorsque les outils électriques sont en marche.** Toute distraction peut vous faire perdre le contrôle de l'outil.

#### 2. Sécurité électrique

- a. **Les prises des outils électriques doivent correspondre à la prise de courant murale. Ne modifiez jamais la prise d'aucune sorte. N'utilisez aucun adaptateur avec des outils électriques reliés à la terre.** L'utilisation de prises d'origine et de prises murales appropriées permet de réduire le risque de décharge électrique.
- b. **Évitez tout contact physique avec des surfaces reliées à la terre comme des tuyaux, des radiateurs, des fours et des réfrigérateurs par exemple.** Le risque de décharge électrique augmente si votre corps est relié à la terre.
- c. **N'exposez pas les outils électriques à la pluie, ni à l'humidité.** Le risque de décharge électrique augmente si de l'eau pénètre dans un outil électrique.
- d. **Ne tirez pas sur le cordon d'alimentation. N'utilisez jamais le cordon pour transporter, tirer ou débrancher**

**l'outil électrique. Maintenez le cordon à l'écart de la chaleur, des substances grasses, des bords tranchants ou des pièces mobiles.** Les cordons endommagés ou emmêlés augmentent le risque de décharge électrique.

**e. Si vous utilisez un outil électrique à l'extérieur, utilisez une rallonge homologuée pour les travaux extérieurs.** L'utilisation d'une rallonge électrique homologuée pour les travaux en extérieur réduit le risque de décharge électrique.

**f. Si l'utilisation d'un outil électrique dans un endroit humide est inévitable, utilisez une alimentation électrique protégée par un disjoncteur différentiel à courant résiduel (DDR).** L'utilisation d'un DDR réduit le risque de décharge électrique.

### 3. Sécurité des personnes

**a. Restez vigilant, surveillez ce que vous faites et faites preuve de bon sens lorsque vous utilisez un outil électrique. N'utilisez pas d'outils électriques si vous êtes fatigué ou sous l'influence de drogue, d'alcool ou de médicaments.** Tout moment d'inattention pendant l'utilisation d'un outil électrique peut engendrer de graves blessures.

**b. Portez des équipements de protection individuelle. Portez toujours une protection oculaire.** Les équipements de protection comme les masques anti-poussière, les chaussures de sécurité antidérapantes, les casques ou les protections auditives utilisés à bon escient réduisent le risque de blessures.

**c. Empêchez tout démarrage intempestif. Assurez-vous que l'interrupteur est en position Arrêt avant de raccorder l'outil à l'alimentation électrique et/ou au bloc-batterie ou avant de ramasser ou de transporter l'outil.** Le fait de transporter les outils électriques le doigt sur l'interrupteur ou d'alimenter les outils électriques dont l'interrupteur est déjà en position de marche augmente les accidents.

**d. Retirez toutes les clés ou pinces de réglage avant de mettre l'outil en marche.** Une clé ou une pince restée fixée à la partie rotative de l'outil électrique peut engendrer des blessures.

**e. Ne vous penchez pas. Gardez les pieds bien ancrés au sol et conservez votre équilibre en permanence.** Cela permet de mieux maîtriser l'outil électrique en cas de situations imprévues.

**f. Portez des vêtements appropriés. Ne portez aucun vêtements amples, ni bijoux. Gardez vos cheveux, vos vêtements et vos gants à l'écart des pièces mobiles.** Les vêtements amples, les bijoux ou les cheveux longs peuvent être happés par les pièces mobiles.

**g. Si vous disposez de dispositifs pour l'extraction et la récupération des poussières, veillez à ce qu'ils soient**

**correctement raccordés et utilisés.** L'utilisation de dispositifs récupérateurs de poussières réduit les risques liés aux poussières.

**h. Ne pensez pas être à ce point familiarisé avec l'outil après l'avoir utilisé à de nombreuses reprises, au point de ne plus rester vigilant et d'en oublier les consignes de sécurité.** Toute action imprudente peut engendrer de graves blessures en une fraction de seconde.

### 4. Utilisation et entretien d'un outil électrique

**a. Ne sur-sollicitez pas l'outil électrique. Utilisez le bon outil électrique, adapté à la tâche à réaliser.** Un outil adapté fonctionne mieux, de façon plus sûre et à la cadence pour laquelle il a été conçu.

**b. N'utilisez pas l'outil électrique si l'interrupteur ne permet plus de le mettre en marche et de l'éteindre.** Tout appareil électrique qui ne peut plus être commandé par son interrupteur est dangereux et doit être réparé.

**c. Débranchez la prise de l'outil électrique de la source d'alimentation électrique et/ou retirez-en le bloc-batterie s'il est amovible, avant d'effectuer tout réglage, de changer un accessoire ou de ranger l'outil électrique.** Ces mesures de sécurité préventives réduisent le risque de démarrage accidentel de l'outil électrique.

**d. Rangez les outils électriques non utilisés hors de portée des enfants et ne laissez aucune personne ne connaissant pas ces outils ou leurs instructions d'utilisation les faire fonctionner.** Les outils électriques peuvent être dangereux entre des mains inexpérimentées.

**e. Entretenez vos outils électriques et leurs accessoires. Vérifiez que les pièces mobiles sont alignées correctement et qu'elles ne sont pas coincées.**

**Vérifiez qu'aucune pièce n'est cassée et contrôlez l'absence de toute autre condition qui pourrait nuire au bon fonctionnement de l'outil. En cas de dommage, faites réparer l'outil électrique avant de le réutiliser.** De nombreux accidents sont provoqués par des outils électriques mal entretenus.

**f. Maintenez les outils de coupe affûtés et propres.** Des outils de coupe bien entretenus dont le tranchant est affûté sont moins susceptibles de rester coincés et sont plus faciles à contrôler.

**g. Utilisez l'outil électrique, les accessoires et les embouts d'outils conformément à ces instructions, en tenant compte des conditions de travail et de la tâche à effectuer.** L'utilisation d'un outil électrique à des fins autres que celles pour lesquelles il a été prévu engendre des situations dangereuses.

**h. Maintenez toutes les poignées et surfaces de préhension sèches, propres et exemptes d'huile et de graisse.** Des poignées et des surfaces de préhension glissantes ne permettent pas de manipuler et de contrôler l'outil correctement en cas de situations inattendues.

5. **Utiliser et entretenir un outil fonctionnant sur batterie**
  - a. **N'effectuez la recharge qu'à l'aide du chargeur spécifié par le fabricant.** Un chargeur adapté pour un type de bloc-batterie peut engendrer un risque d'incendie s'il est utilisé avec un bloc-batterie différent.
  - b. **N'utilisez l'outil électrique qu'avec les blocs-batteries spécifiquement prévus.** L'utilisation d'un autre bloc-batterie peut créer un risque de blessures et d'incendie.
  - c. **Quand le bloc-batterie n'est pas utilisé, éloignez-le d'objets en métal comme des agrafes, des pièces, des clés, des clous, des vis ou autres petits objets qui pourraient établir une connexion d'une borne à l'autre.** La mise en court-circuit des bornes d'une batterie peut provoquer des brûlures ou un incendie.
  - d. **Dans des conditions extrêmes, du liquide peut être éjecté de la batterie. Évitez tout contact. En cas de contact accidentel, rincez à l'eau. En cas de contact avec les yeux, consultez en plus un médecin.** Le liquide sortant de la batterie peut provoquer des irritations ou des brûlures.
  - e. **N'utilisez jamais un bloc-batterie ou un outil qui est endommagé ou qui a été modifié.** Les batteries endommagées ou modifiées peuvent avoir un comportement imprévisible qui peut conduire à un incendie, une explosion ou à un risque de blessure.
  - f. **N'exposez pas le bloc-batterie ou l'outil au feu ou à des températures excessives.** L'exposition au feu ou à des températures dépassant 130 °C peut provoquer une explosion.
  - g. **Respectez toutes les consignes de mise en charge et ne rechargez pas le bloc-batterie ou l'outil en dehors de la plage de températures spécifiée dans les instructions.** Une mise en charge mal effectuée ou à des températures hors de la plage spécifiée peut endommager le bloc-batterie et augmenter le risque d'incendie.
6. **Révision/Réparation**
  - a. **Faites réviser/réparer votre outil électrique par une personne qualifiée, n'utilisant que des pièces de rechange d'origine.** Cela permet de garantir la sûreté de l'outil électrique.
  - b. **Ne réparez jamais un bloc-batterie endommagé. Les réparations sur les blocs-batteries ne doivent être effectuées que par le fabricant ou l'un de ses prestataires de services agréés.**

### Consignes de sécurité supplémentaires concernant les outils électriques



**Avertissement !** Instructions de sécurité supplémentaires concernant les perceuses

- Tenez l'outil électrique par les surfaces de préhension isolées lorsque vous effectuez une opération où

l'accessoire de coupe peut entrer en contact avec un câblage caché. L'accessoire de coupe en contact avec un fil "sous tension" peut rendre "sous tension" les parties métalliques exposées de l'outil électrique et provoquer un choc électrique à l'opérateur.

- Portez des protections auditives avec perçage à percussion. L'exposition au bruit peut entraîner une perte auditive.
- Utilisez des pinces ou un autre moyen pratique pour fixer et soutenir la pièce à usiner sur une plate-forme stable. Tenir l'ouvrage à la main ou contre son corps le rend instable et peut entraîner une perte de contrôle.
- Avant d'enfoncer les fixations dans les murs, les planchers ou les plafonds, vérifiez l'emplacement du câblage et des tuyaux.
- L'utilisation prévue est décrite dans ce mode d'emploi.
- L'utilisation de tout accessoire ou pièce jointe ou l'exécution de toute opération avec cet outil autre que celles recommandées dans ce manuel d'instructions peut présenter un risque de blessures et/ou de dommages matériels.

### Consignes de sécurité pour l'utilisation de mèches longues

- Ne les utilisez jamais à une vitesse supérieure à leur vitesse nominale maximum. À grande vitesse, la mèche peut plier si elle tourne dans le vide, sans être en contact avec l'ouvrage et des blessures sont possibles.
- Commencez toujours à percer à faible vitesse alors que la pointe de la mèche est en contact avec l'ouvrage. À grande vitesse, la mèche peut plier si elle tourne dans le vide, sans être en contact avec l'ouvrage et des blessures sont possibles.
- N'exercez qu'une faible pression, toujours perpendiculaire sur la mèche. Les mèches peuvent plier et casser et ainsi provoquer une perte de contrôle et des blessures.

### Sécurité des personnes

- Cet outil n'est pas conçu pour être utilisé par des personnes (y compris des enfants) ayant des capacités mentales, sensorielles ou physiques réduites, ou celles manquant d'expérience et de connaissances, à moins qu'elles ne soient encadrées ou qu'elles n'aient été formées à l'utilisation de l'appareil par une personne responsable de leur sécurité.
- Ne laissez jamais les enfants sans surveillance pour éviter qu'ils ne jouent avec cet appareil.

### Risques résiduels

Certains risques résiduels autres que ceux mentionnés dans les avertissements sur la sécurité peuvent survenir en utilisant l'outil. Ces risques peuvent être provoqués par une utilisation incorrecte, prolongée, etc. Malgré l'application des normes de sécurité pertinentes et la présence de dispositifs de sécurité, certains

risques résiduels ne peuvent pas être évités. Ils comprennent :

- Les blessures dues au contact avec une pièce rotative/mobile.
- Les blessures dues au remplacement de pièces, lames ou accessoires.
- Les blessures dues à l'utilisation prolongée d'un outil. Lorsque l'outil est utilisé pendant de longues périodes, assurez-vous de faire des pauses régulières.
- La diminution de l'acuité auditive.
- Les risques sanitaires dus à l'inhalation de poussières émises pendant l'utilisation de l'outil (exemple : travail avec du bois, surtout le chêne, le hêtre et les panneaux en MDF).

## Vibrations

La valeur des émissions de vibrations déclarée dans la section Caractéristiques techniques et la déclaration de conformité a été mesurée selon une méthode de test standard fournie par la norme EN 62841 et peut être utilisée pour comparer un outil à un autre. La valeur des émissions de vibrations déclarée peut aussi être utilisée pour une évaluation préliminaire à l'exposition.

**Avertissement !** En fonction de la manière dont l'outil est utilisé, la valeur des émissions de vibrations réelles pendant l'utilisation de l'outil peut différer de la valeur déclarée. Le niveau des vibrations peut dépasser le niveau déclaré.

Quand l'exposition aux vibrations est évaluée afin de déterminer les mesures de sécurité requises par la norme 2002/44/CE pour protéger les personnes utilisant régulièrement des outils électriques, cette estimation doit tenir compte des conditions réelles d'utilisation et de la façon dont l'outil est utilisé. Il faut également tenir compte de toutes les composantes du cycle de fonctionnement comme la durée pendant laquelle l'outil est arrêté et quand il fonctionne au ralenti, ainsi que la durée du déclenchement.

## Étiquettes sur l'outil

Outre le code date, les symboles suivants sont apposés sur l'outil :



**Avertissement !** Pour réduire le risque de blessures, l'utilisateur doit lire le manuel d'instructions.



Ne regardez pas la lampe en fonctionnement

## Consignes de sécurité supplémentaires concernant les batteries/piles et les chargeurs (non fournis avec l'outil)

### Batteries

- Ne tentez jamais sous aucun prétexte de les ouvrir.
- N'exposez pas les batteries/piles à l'eau.
- Ne les stockez pas dans des endroits où la température peut dépasser 40° C.
- Ne les rechargez qu'à une température ambiante

comprise entre 10° C et 40° C.

- Ne les rechargez qu'à l'aide du chargeur fourni avec l'outil.
- Pour la mise au rebut des batteries/piles, respectez les instructions mentionnées à la section « Protection de l'environnement ».



N'essayez pas de recharger des batteries endommagées.

### Chargeurs

- N'utilisez votre chargeur BLACK+DECKER que pour recharger la batterie fournie avec l'outil. D'autres batteries pourraient exploser et provoquer des blessures et des dommages.
- Ne tentez jamais de recharger des piles non rechargeables.
- Faites immédiatement remplacer les cordons endommagés.
- N'exposez pas le chargeur à l'eau.
- N'ouvrez pas le chargeur.
- Ne sondez pas le chargeur.



Le chargeur est conçu pour être exclusivement utilisé à l'intérieur.



Lisez le manuel d'utilisation avant d'utiliser l'outil.

### Sécurité électrique



Votre chargeur dispose d'une double isolation ; aucun fil de terre n'est donc nécessaire. Vérifiez toujours que la tension indiquée sur la plaque signalétique de l'appareil correspond à la tension du secteur. N'essayez jamais de remplacer le chargeur par une prise secteur ordinaire.

- Si le câble d'alimentation est endommagé, il doit être remplacé par le fabricant ou par un centre de réparation agréé BLACK+DECKER afin d'éviter tout accident.

### Caractéristiques

Cet outil dispose de tout ou partie des caractéristiques suivantes.

1. Variateur de vitesse
2. Bouton de commande avant/arrière
3. Bague de réglage du couple
4. Mandrin sans clé
5. Sélecteur double vitesse
6. Éclairage de travail à LED
7. Batterie
8. Bouton de libération de la batterie
9. Porte-embout magnétique

### Assemblage

### Utilisation

**Avertissement !** Laissez l'outil fonctionner à son propre rythme. Ne le poussez pas au-delà de sa limite.

## Charge de la batterie (figure A)

La batterie doit être chargée avant la première utilisation et chaque fois qu'elle n'apporte plus assez de puissance pour les travaux réalisés sans peine auparavant. La batterie peut chauffer pendant la charge. Ce phénomène est normal et n'indique pas un problème.

**Avertissement !** Ne rechargez pas la batterie à une température ambiante inférieure à 10° C ou supérieure à 40° C. La température recommandée est d'environ 24° C.

**Remarque: Le chargeur ne recharge pas la batterie si la température de la cellule est inférieure à environ 10° C ou supérieure à 40° C.**

**La batterie doit rester dans le chargeur qui démarre automatiquement la charge quand la température de la cellule augmente ou diminue.**

- Branchez le chargeur dans une prise électrique standard de 230 Volts 50 Hz.
- Insérez le bloc-batterie dans le chargeur comme illustré par la figure A.
- Le voyant vert clignote pour indiquer que la batterie est en charge.
- La fin de la charge est indiquée par le voyant vert restant fixe en continu. Le bloc est alors complètement rechargé et il peut soit être utilisé, soit être laissé dans le chargeur.

**Avertissement !** Risque d'incendie. En débranchant le chargeur de l'outil, assurez-vous de d'abord le débrancher de la prise murale avant de retirer le cordon du chargeur de l'outil.

## Installation et retrait du bloc-batterie de l'outil (Fig. B)

**Avertissement !** Avant de retirer ou d'installer la batterie, assurez-vous que le bouton de déverrouillage est enclenché afin d'éviter l'activation de l'interrupteur.

Pour installer le bloc-batterie:

- Insérez le bloc-batterie dans l'outil jusqu'à entendre un clic (Fig. B).

## Retrait du bloc-batterie de l'outil (Fig. C)

- Appuyez sur le bouton de libération de la batterie comme illustré par la figure C et tirez sur le bloc-batterie pour le sortir de l'outil.

## Instructions d'utilisation

### Interrupteur à gâchette et bouton d'inversion du sens de fonctionnement

- La perceuse est allumée et éteinte en enfonçant et en relâchant la gâchette (1). Plus la gâchette est enfoncée, plus la vitesse de la perceuse est élevée.
- Le bouton de commande avant/arrière (2) détermine la direction de l'outil et sert aussi de bouton de déverrouillage.
- Pour sélectionner la rotation en avant, relâchez la gâchette et enfoncez le bouton de commande avant/arrière vers la gauche.

- Pour sélectionner la rotation en sens inverse, déplacez le bouton de commande avant/arrière dans la direction opposée.

**Remarque:** La position centrale du bouton de contrôle verrouille l'outil en position d'arrêt. Lors du changement de position du bouton de contrôle, s'assurer que la gâchette est bien relâchée.

### Contrôle du couple (Fig. D)

Cet outil est équipé d'un collier de réglage de couple (3) afin de sélectionner le mode de fonctionnement et de paramétrer le couple pour le serrage des vis. Les grandes vis et les matières à travailler dures nécessitent un couple de serrage plus élevé que les petites vis et les matières tendres.

- Pour percer du bois, du métal et du plastique, réglez le collier sur le symbole de perçage.
- Pour visser, réglez le collier dans la position désirée. Si vous ne connaissez pas encore le réglage approprié, effectuez ce qui suit :
- Réglez le collier au couple le plus bas.
- Serrez la première vis.
- Si le mandrin cliquette avant d'obtenir le résultat voulu, augmentez le réglage du collier et continuez le serrage de la vis. Recommencez jusqu'à ce que le réglage correct soit obtenu. Utilisez ce réglage pour les vis restantes.

### Mandrin auto-serrant (figure E)

**Avertissement !** Avant de retirer ou d'installer un accessoire, assurez-vous que le bouton de déverrouillage est enclenché afin d'éviter l'activation de l'interrupteur.

Pour insérer un foret ou un autre accessoire :

- Dans une main, prenez la moitié arrière du mandrin (4) et avec l'autre, tournez la moitié avant dans le sens inverse des aiguilles d'une montre, vu depuis l'extrémité du mandrin.
- Insérez le foret ou tout autre accessoire complètement dans le mandrin, puis fixez-le fermement en maintenant la moitié arrière du mandrin et en tournant la partie avant dans le sens des aiguilles d'une montre, vu depuis l'extrémité du mandrin.

**Avertissement !** Ne tentez pas de fixer les forets (ou tout autre accessoire) en saisissant la partie avant du mandrin et en mettant l'outil en marche. Cela pourrait endommager le mandrin et provoquer des blessures lors du changement d'accessoires.

### Double plage de vitesse (Figure F)

La fonction Double Plage de votre perceuse vous permet de modifier la vitesse pour plus de polyvalence. Pour sélectionner la vitesse basse à couple élevé (position 1), éteignez l'outil et laissez-le s'arrêter. Faites glisser le sélecteur de vitesse (5) en l'éloignant du mandrin. Pour sélectionner la vitesse élevée, faible couple (position 2), éteignez l'outil et laissez-le s'arrêter. Faites glisser le sélecteur de vitesse vers le mandrin.

**Remarque:** Ne changez pas la vitesse lorsque l'outil est en marche. En cas de problème pour changer les vitesses,

assurez-vous que le sélecteur de vitesse à double plage est complètement poussé vers l'avant ou l'arrière.

### Perçage/vissage

- Sélectionnez la rotation en marche avant ou arrière à l'aide du bouton de commande avant/arrière (2).
- Pour mettre l'outil en marche, appuyez sur l'interrupteur (1). La vitesse de l'outil dépend du degré d'enfoncement de l'interrupteur.
- Pour arrêter l'outil, relâchez l'interrupteur.

### Conseils pour une utilisation optimale

#### Perçage

- N'utilisez que des forets bien affûtés.
- Soutenez et fixez la pièce à travailler correctement, comme indiqué dans les consignes de sécurité.
- Utilisez l'équipement de sécurité approprié et nécessaire, comme indiqué dans les consignes de sécurité.
- Soutenez et fixez la zone de travail correctement, comme indiqué dans les consignes de sécurité.
- Commencez le perçage très doucement, avec peu de pression, jusqu'à ce que le trou soit suffisamment amorcé pour que le foret ne s'en échappe pas.
- Enfoncez le foret tout droit. Appuyez suffisamment pour que le foret rentre mais pas trop pour ne pas bloquer le moteur ou endommager le foret.
- Maintenez fermement la perceuse avec les deux mains pendant la rotation.
- N'ACTIONNEZ PAS LA GÂCHETTE D'UNE PERCEUSE QUI A CALÉ POUR TENTER DE LA DÉMARRER. CELA PEUT ENDOMMAGER LA PERCEUSE.
- Évitez les calages pendant les percées en réduisant la pression et percez doucement la dernière partie du trou.
- Laissez le moteur tourner en sortant le foret du trou. Cela évite les blocages.
- Assurez-vous que l'interrupteur allume et éteint la perceuse.

#### Percer le bois

Le bois peut être percé avec les mêmes forets hélicoïdaux utilisés pour le métal ou avec des mèches à bois avec pointe et traceurs latéraux. Ces forets doivent être affûtés. Ressortez-les fréquemment du trou quand vous percez afin d'éliminer les débris accumulés dans les cannelures du foret.

#### Percer le métal

Utilisez un lubrifiant de coupe pour percer les métaux. La fonte et le laiton doivent en revanche être percés à sec. Les lubrifiants de coupe les plus appropriés sont à base d'huile sulfurée ou d'huile de saindoux.

### Percer de la pierre

Pour percer de la pierre, réglez le collier (3) à la position de perçage à percussion en alignant le symbole avec le repère. Faites glisser le sélecteur de vitesse (5) vers l'avant de l'outil (2ème vitesse).

### Vissage

- Choisissez toujours un embout de type et de taille appropriés.
- Si le serrage de la vis est difficile, enduisez-la d'une petite quantité de liquide vaisselle ou de savon comme lubrifiant.
- Alignez toujours l'outil et l'embout du tournevis avec la vis

### Dépannage

Problème	Cause possible	Solution possible
L'appareil ne démarre pas.	Le bloc-batterie n'est pas rechargé.	Vérifiez les exigences en matière de rechargement du bloc-batterie
Le bloc-batterie ne se recharge pas.	Le chargeur n'est pas branché.  La température ambiante est trop chaude ou trop froide.	Branchez le chargeur dans une prise murale qui fonctionne.  Déplacez le chargeur et le bloc-batterie dans un endroit où la température ambiante est supérieure à 40°F (4,5°C) ou inférieure à 105°F (+40,5C)
L'appareil s'éteint brusquement.	Le bloc-batterie a atteint sa limite thermique maximum.  Déchargé. (Pour maximiser la durée de vie du bloc-batterie, il est conçu pour s'arrêter brusquement lorsque la batterie est déchargée)	Laissez le bloc-batterie refroidir.  Placez dans le chargeur et laissez recharger.

### Maintenance

Votre outil BLACK+DECKER a été conçu pour fonctionner pendant longtemps avec un minimum d'entretien. Le fonctionnement constant et satisfaisant de l'outil dépend de son bon entretien et de son nettoyage régulier.

Le chargeur ne nécessite aucun entretien particulier, à l'exception d'un nettoyage régulier.

**Avertissement !** Avant d'entretenir l'outil, retirez la batterie. Débranchez le chargeur avant de le nettoyer.

- Nettoyez régulièrement les fentes d'aération de l'outil et du chargeur à l'aide d'une brosse souple ou d'un chiffon sec.
- Nettoyez régulièrement le carter moteur à l'aide d'un chiffon humide.
- N'utilisez pas de détergents abrasifs ou à base de solvants.
- Ouvrez régulièrement le mandrin et tapotez dessus pour éliminer la poussière accumulée à l'intérieur.



## Tutela ambientale



Raccolta differenziata. I prodotti e le batterie contrassegnati con questo simbolo non devono essere smaltiti con i rifiuti domestici normali.

I prodotti e le batterie contengono materiali che possono essere recuperati o riciclati, riducendo la richiesta di materie prime. Riciclare i prodotti elettrici e le batterie attenendosi alle disposizioni locali vigenti. Ulteriori informazioni sono disponibili all'indirizzo [www.2helpU.com](http://www.2helpU.com).

## Données techniques

BDCHD18		
Tension	$V_{CC}$	18
Vitesse à vide	$\text{Min}^{-1}$	0-400 / 0-1500
Couple max.	Nm	17,5/40
Capacité du mandrin	mm	1-10
Capacité max de perçage		
Acier/Bois/Pierre	mm	10/25/10
Poids	kg	0,90 (avec batterie 1,30)

Chargeur	S010***400040 SSC-250040**	S018***800100 SSC-200100**	90599854**	BDC2A 90606845
Tension d'entrée	$V_{AC}$ 100 - 240	220 - 240	230	230
Tension de sortie	$V_{DC}$ 8 - 20	8 - 20	18	18
Courant	mA 400	1000	1000	2000
Durée de charge approximative	Heures 4 - 10	1,5 - 4	1,5 - 4	0,75 - 2

Batterie	BL1518	BL2018	BL2518	BL4018
Tension	$V_{CC}$ 18	18	18	18
Capacité	Ah 1,5	2,0	2,5	4,0
Type	Li-Ion	Li-Ion	Li-Ion	Li-Ion

Niveau de pression sonore selon la norme EN 62841 :	
Pression acoustique ( $L_{pA}$ )	88 dB(A), incertitude (K) 5 dB(A)
Puissance sonore ( $L_{WA}$ )	99 dB(A), incertitude (K) 5 dB(A)

Valeurs totales des vibrations (somme vectorielle triaxiale) selon la norme EN 62841 :	
Perçage à percussion, béton ( $a_{h, ID}$ )	13,4 $\text{m/s}^2$ , incertitude (K) 1,5 $\text{m/s}^2$
Perçage dans le métal ( $a_{h, D}$ )	<2,8 $\text{m/s}^2$ , incertitude (K) 1,5 $\text{m/s}^2$

## Déclaration de conformité CE

DIRECTIVES MACHINES



BDCHD18 - Perceuse/visseuse

Black & Decker déclare que les produits décrits dans les «Données techniques» sont conformes aux normes : 2006/42/CE, EN62841-1:2015, EN62841-2-1:2018+A11:2019.

Ces produits sont aussi conformes aux directives, 2014/30/UE et 2011/65/UE. Pour plus de détails, veuillez contacter Black & Decker à l'adresse suivante ou vous reporter au dos du manuel.

Le soussigné est responsable de la compilation du fichier technique et fait cette déclaration au nom de Black & Decker.

*Patrick Diepenbach*

Patrick Diepenbach  
General Manager, Benelux  
Black and Decker,  
Egide Walschaertsstraat 14-18  
2800 Mechelen, Belgique  
10/08/2021

## Garanti

Black & Decker est sûr de la qualité de ses produits et offre une garantie de 24 mois aux utilisateurs, à partir de la date d'achat. Cette garantie s'ajoute à vos droits légaux auxquels elle ne porte aucunement préjudice. Cette garantie est valable au sein des territoires des états membres de l'Union européenne, de la zone européenne de libre-échange et du Royaume-Uni. Pour prétendre à la garantie, la réclamation doit être en conformité avec les conditions générales de Black & Decker et vous devez fournir une preuve d'achat au vendeur ou au réparateur agréé. Les conditions générales de la garantie de 2 ans Black & Decker ainsi que l'adresse du réparateur agréé le plus proche sont disponibles sur le site Internet [www.2helpU.com](http://www.2helpU.com). ou en contactant votre agence Black & Decker locale à l'adresse indiquée dans cette notice. Visitez notre site Internet [www.blackanddecker.co.uk](http://www.blackanddecker.co.uk) pour enregistrer votre nouveau produit Black & Decker et recevoir des informations sur nos nouveaux produits et nos offres spéciales.

## Uso previsto

Il trapano/avvitatore BLACK+DECKER BDCHD18 è stato progettato per avvitare e per trapanare legno, metallo e plastica. Questo elettroutensile è destinato solo all'uso privato.

## Istruzioni di sicurezza

### Avvertenze di sicurezza generali per gli elettroutensili



**Avvertenza! Leggere attentamente tutte le avvertenze, istruzioni, illustrazioni e specifiche fornite con l'elettroutensile.** La mancata osservanza delle istruzioni seguenti può dar luogo a scossa elettrica, incendio e/o lesioni personali gravi.

**Conservare tutte le avvertenze e le istruzioni per riferimenti futuri.** Il termine "elettroutensile" utilizzato in tutte le avvertenze elencate di seguito fa riferimento sia agli utensili elettrici alimentati tramite una rete elettrica (con cavo) che agli utensili elettrici a batteria (senza cavo).

#### 1. Sicurezza dell'area di lavoro

- Tenere pulita e ben illuminata l'area di lavoro.** Gli ambienti disordinati o scarsamente illuminati favoriscono gli incidenti.
- Evitare di impiegare gli elettroutensili in ambienti esposti al rischio di esplosione, come ad esempio in presenza di liquidi, gas o polveri infiammabili.** Gli elettroutensili generano scintille che possono incendiare polveri o fumi.
- Durante l'uso di un elettroutensile, tenere lontani i bambini e le altre persone presenti nelle vicinanze.** Eventuali distrazioni possono provocare la perdita di controllo.

#### 2. Sicurezza elettrica

- Le spine elettriche degli elettroutensili devono essere adatte alla presa di corrente. Non modificare la spina in alcun modo. Non utilizzare spine con adattatore con un elettroutensile dotato di messa a terra.** Per ridurre il rischio di scossa elettrica evitare di modificare le spine e utilizzare sempre le prese di corrente appropriate.
- Evitare il contatto con superfici collegate a terra, quali tubature, termosifoni, fornelli e frigoriferi.** Se il corpo dell'utilizzatore è collegato a terra, il rischio di scossa elettrica aumenta.
- Custodire gli elettroutensili al riparo dalla pioggia o dall'umidità.** Se dovesse penetrare dell'acqua all'interno dell'elettroutensile, il rischio di scossa elettrica aumenta.
- Non utilizzare il cavo di alimentazione in modo improprio. Non spostare, tirare o scollegare mai l'elettroutensile tirandolo dal cavo. Tenere il cavo di alimentazione lontano da fonti di calore, olio, bordi taglienti o parti in movimento.** Se il cavo di alimentazione è danneggiato o impigliato, il rischio di scossa elettrica aumenta.

- Se l'elettroutensile viene adoperato all'aperto, usare esclusivamente prolunghe omologate per l'impiego all'esterno.** L'uso di un cavo di alimentazione idoneo per esterni riduce il rischio di scossa elettrica.
- Se non è possibile evitare di lavorare in una zona umida, collegarsi a una rete elettrica protetta da un interruttore differenziale salvavita (RCD).** L'uso di un RCD salvavita riduce il rischio di scossa elettrica.

#### 3. Sicurezza personale

- È importante concentrarsi su ciò che si sta facendo e maneggiare con giudizio l'elettroutensile. Non utilizzare un elettroutensile quando si è stanchi o sotto l'effetto di sostanze stupefacenti, alcool o medicinali.** Un solo attimo di distrazione durante l'uso dell'elettroutensile potrebbe provocare gravi lesioni personali.
- Usare dispositivi di protezione individuale. Indossare sempre occhiali di sicurezza.** L'uso di dispositivi di protezione, quali mascherine antipolvere, scarpe antinfortunistiche antiscivolo, elmetti di sicurezza o protezioni per l'udito, in condizioni opportune consente di ridurre le lesioni personali.
- Prevenire l'avvio accidentale. Accertarsi che l'interruttore sia nella posizione di spegnimento, prima di collegare l'elettroutensile alla rete elettrica e/o alla batteria, di prenderlo in mano o di trasportarlo.** Per non esporsi al rischio di incidenti, non trasportare l'elettroutensile tenendo le dita sull'interruttore e non collegarlo a una fonte di alimentazione elettrica con l'interruttore in posizione di accensione.
- Prima di accendere un elettroutensile, rimuovere eventuali chiavi o attrezzi di regolazione.** Un utensile di regolazione o una chiave fissati a una parte rotante dell'elettroutensile possono provocare lesioni personali.
- Non sporgersi troppo. Mantenere sempre un appoggio e un equilibrio adeguati.** In tal modo è possibile mantenere un migliore controllo dell'elettroutensile nelle situazioni impreviste.
- Indossare indumenti adeguati. Non indossare abiti larghi o gioielli. Tenere i capelli, gli indumenti e i guanti lontano dalle parti mobili.** Abiti larghi, gioielli o capelli lunghi possono impigliarsi nelle parti in movimento.
- Se gli elettroutensili sono provvisti di attacchi per il collegamento di dispositivi di aspirazione o di raccolta delle polveri, assicurarsi che questi siano installati e utilizzati correttamente.** L'impiego di dispositivi per la raccolta delle polveri può ridurre i pericoli legati a queste ultime.
- Non lasciare che la familiarità acquisita dall'uso frequente degli elettroutensili induca a cedere alla tentazione di ignorare i principi di utilizzo sicuro degli stessi.** Un'azione imprudente potrebbe provocare lesioni personali gravi in una frazione di secondo.

#### 4. Uso e cura dell'elettrotensile

- a. **Non sovraccaricare l'elettrotensile. Utilizzare l'elettrotensile adatto al lavoro da eseguire.**  
L'elettrotensile corretto funziona meglio e in modo più sicuro, se utilizzato alla velocità per cui è stato progettato.
- b. **Non utilizzare elettrotensili con interruttori di accensione/spengimento difettosi.** Qualsiasi elettrotensile che non possa essere controllato tramite l'interruttore è pericoloso e deve essere riparato.
- c. **Staccare la spina dalla presa di corrente e/o rimuovere il pacco batteria, se rimovibile, dall'elettrotensile prima di effettuare qualsiasi tipo di regolazione, prima di cambiare gli accessori o di riportarlo.** Queste misure di sicurezza preventive riducono il rischio di azionare l'elettrotensile accidentalmente.
- d. **Quando non vengono usati, gli elettrotensili devono essere custoditi fuori dalla portata dei bambini. Non consentire l'uso dell'elettrotensile a persone inesperte o che non abbiano letto queste istruzioni.** Gli elettrotensili sono pericolosi in mano a persone inesperte.
- e. **Sottoporre gli elettrotensili e gli accessori a regolare manutenzione. Verificare che le parti mobili siano correttamente allineate e non inceppate, che non vi siano componenti rotti e che non sussistano altre condizioni che possono compromettere il funzionamento dell'elettrotensile. Se l'elettrotensile è danneggiato, farlo riparare prima dell'uso.** Molti incidenti sono provocati da elettrotensili non sottoposti a corretta manutenzione.
- f. **Mantenere affilati e puliti gli utensili da taglio.** La manutenzione corretta degli utensili da taglio con bordi affilati riduce le probabilità di inceppamento e ne facilita il controllo.
- g. **Utilizzare l'elettrotensile, gli accessori e le punte in conformità a queste istruzioni, tenendo conto delle condizioni operative e del lavoro da eseguire.** L'utilizzo dell'elettrotensile per impieghi diversi da quelli previsti può provocare situazioni di pericolo.
- h. **Mantenere le impugnature e le superfici di presa asciutte, pulite e senza tracce di olio o grasso.** Impugnature e superfici di presa scivolose non consentono di maneggiare e controllare in modo sicuro l'elettrotensile nel caso di imprevisti.

#### 5. Utilizzo e cura degli elettrotensili a batteria

- a. **Ricaricare la batteria esclusivamente con il caricabatterie specificato dal produttore.** Un caricabatterie adatto a un determinato tipo di pacco batteria può provocare il rischio di incendio se utilizzato con un pacco batteria diverso.
- b. **Usare gli elettrotensili esclusivamente con i pacchi batteria appositamente concepiti.** L'impiego di pacchi batteria di tipo diverso potrebbe comportare il rischio di lesioni alle persone e incendio.

- c. **Quando non è in uso, il pacco batteria deve essere custodito lontano da oggetti metallici come graffette, monete, chiavi, chiodi, viti o altre minuterie in metallo che possono creare contatto tra i poli.** Se i morsetti della batteria vengono cortocircuitati potrebbero provocare ustioni o un incendio.
  - d. **In condizioni di sovraccarico, dalla batteria potrebbe fuoriuscire del liquido: evitare il contatto. In caso di contatto accidentale, risciacquare la pelle con abbondante acqua. Se il liquido dovesse entrare a contatto con gli occhi, rivolgersi anche a un medico.** Il liquido che fuoriesce dalla batteria può causare irritazioni o ustioni.
  - e. **Non utilizzare un pacco batteria o un elettrotensile se danneggiati o modificati.** Le batterie danneggiate o modificate potrebbero manifestare un comportamento imprevedibile, con la possibilità di causare un'esplosione o un incendio.
  - f. **Non esporre un pacco batteria o un elettrotensile al fuoco o a temperature elevate.** L'esposizione al fuoco o a una temperatura superiore a 130 °C potrebbe provocare un'esplosione.
  - g. **Seguire tutte le istruzioni per la carica e non caricare il pacco batteria o l'elettrotensile a una temperatura che non rientri nell'intervallo di valori specificato nelle istruzioni.** Una carica effettuata in maniera scorretta o a una temperatura che non rientra nell'intervallo di valori specificato, potrebbe danneggiare la batteria aumentando il rischio d'incendio.
6. **Assistenza**
    - a. **Fare riparare l'elettrotensile esclusivamente da personale specializzato che utilizzi solo ricambi originali.** In questo modo viene garantita la sicurezza dell'elettrotensile.
    - b. **Non riparare i pacchi batteria danneggiati.** Gli interventi di riparazione sui pacchi batteria devono essere eseguiti dal produttore o da fornitori di assistenza autorizzati.

#### Altri avvisi di sicurezza per gli elettrotensili



**Avvertenza!** Ulteriori avvisi di sicurezza per i trapani a percussione.

- Tenere l'utensile elettrico dalle superfici di presa isolate, quando si esegue un'operazione in cui l'accessorio di taglio può entrare in contatto con cavi nascosti. L'accessorio da taglio che entra in contatto con un filo "sotto tensione" può mettere "sotto tensione" le parti metalliche esposte dell'utensile elettrico e provocare una scossa elettrica all'operatore.
- Indossare protezioni per le orecchie con perforazione a percussione. L'esposizione al rumore può causare la perdita dell'udito.

- Utilizzare morsetti o un altro modo pratico per fissare e sostenere il pezzo da lavorare su una piattaforma stabile. Tenere il lavoro con le mani o contro il corpo lo rende instabile e può portare alla perdita di controllo.
- Prima di inserire elementi di fissaggio in pareti, pavimenti o soffitti, verificare la posizione di cavi e tubi.
- L'uso previsto è descritto in questo manuale di istruzioni.
- L'uso di qualsiasi accessorio o accessorio o l'esecuzione di qualsiasi operazione con questo utensile diversi da quelli raccomandati nel presente manuale di istruzioni può presentare un rischio di lesioni personali e/o danni alla proprietà.

### Istruzioni di sicurezza durante l'utilizzo di punte lunghe

- Non azionare mai il trapano/avvitatore a una velocità superiore alla velocità massima nominale della punta. A velocità più elevate, è probabile che la punta si pieghi se lasciata ruotare liberamente senza toccare il pezzo in lavorazione, causando lesioni personali.
- Iniziare sempre a eseguire un foro a bassa velocità e con la punta a contatto con il pezzo in lavorazione. A velocità più elevate, è probabile che la punta si pieghi se lasciata ruotare liberamente senza toccare il pezzo in lavorazione, causando lesioni personali.
- Applicare pressione solo in linea diretta con la punta (non esercitare una pressione eccessiva). Le punte possono piegarsi causando la rottura o la perdita del controllo, con conseguenti lesioni personali.

### Sicurezza altrui

- Questo elettroscopio non è stato progettato per impiego da parte di persone (o bambini) portatrici di handicap fisici, psichici o sensoriali o che non abbiano la dovuta esperienza o conoscenza, a meno che non siano seguite o opportunamente istruite sul suo impiego da parte di una persona responsabile della loro sicurezza.
- I bambini devono essere sorvegliati per assicurarsi che non giochino con l'apparecchio.

### Rischi residui

L'utilizzo dell'apparecchio può comportare altri rischi non contemplati negli avvisi di sicurezza qui riportati. Tali rischi possono sorgere a seguito di un uso prolungato o improprio, ecc. Pur osservando le norme di sicurezza e utilizzando dispositivi di protezione adeguati, certi rischi non possono essere evitati. Sono inclusi:

- Lesioni causate o subite a seguito del contatto con parti rotanti/in movimento.
- Lesioni causate o subite durante la sostituzione di parti, lame o accessori.
- Lesioni causate dall'impiego prolungato di un elettroscopio. Quando si usa qualsiasi apparecchio per

lunghi periodi, accertarsi di fare regolarmente delle pause.

- Menomazioni uditive.
- Rischi per la salute causati dall'aspirazione di polvere generata dall'utilizzo dell'elettroscopio (ad esempio quando si lavora con il legno, in modo particolare quello di quercia, faggio o l'MDF).

### Vibrazioni

I valori dichiarati delle emissioni di vibrazioni, indicati nei dati tecnici e nella dichiarazione di conformità del presente manuale, sono stati misurati in base al metodo di test standard previsto dalla normativa EN62841 e possono essere usati come paragone tra un attrezzo e un altro. Il valore delle emissioni di vibrazioni dichiarato può anche essere usato come valutazione preliminare dell'esposizione.

**Avvertenza!** Il valore delle emissioni di vibrazioni durante l'impiego effettivo dell'elettroscopio può variare da quello dichiarato a seconda delle modalità d'uso. Il livello delle vibrazioni può aumentare oltre quello dichiarato.

Quando si valuta l'esposizione alle vibrazioni per determinare le misure di sicurezza richieste dalla normativa 2002/44/CE destinata alla protezione delle persone che usano regolarmente gli elettroscopii nello svolgimento delle proprie mansioni, è necessario prendere in considerazione le condizioni effettive di utilizzo e il modo in cui l'utensile è usato, oltre a tenere in conto tutte le componenti del ciclo operativo, vale a dire i periodi in cui l'elettroscopio è spento, quelli in cui è acceso ma a riposo e quelli in cui è effettivamente utilizzato.

### Etichette sull'apparato

Sull'elettroscopio sono presenti i seguenti simboli assieme al codice data:



**Avvertenza!** Per ridurre il rischio di infortuni, l'utente deve leggere il manuale d'uso.



Non fissare la lampada operatoria

### Altre istruzioni di sicurezza per batterie e caricabatteria (non fornite con l'elettroscopio)

#### Batterie

- Non tentare mai di aprire le batterie per qualsiasi motivo.
- Non lasciare che le batterie si bagnino.
- Non riporre in luoghi dove la temperatura potrebbe superare 40°C.
- Caricare solo a temperature ambiente tra 10°C e 40°C.
- Caricare solo usando il caricabatteria fornito con l'elettroscopio.
- Per lo smaltimento delle batterie, seguire le istruzioni fornite alla sezione "Protezione dell'ambiente".



Non tentare di caricare delle batterie danneggiate.

### Caricabatterie

- Usare l'alimentatore BLACK+DECKER solo per caricare la batteria nell'apparecchio con il quale è stato fornito. Altre batterie potrebbero scoppiare causando lesioni alle persone e danni alle cose.
- Non tentare mai di caricare batterie non ricaricabili.
- Fare sostituire immediatamente i fili di alimentazione difettosi.
- Non lasciare che il caricabatteria si bagni.
- Non aprire il caricabatterie.
- Non collegare il caricabatterie a sonde.



L'alimentatore può solo essere usato all'interno



Leggere il presente manuale d'uso prima dell'impiego.

### Sicurezza elettrica



Il doppio isolamento di cui è provvisto il carica-batteria rende superfluo il filo di terra. Controllare sempre che la tensione di rete corrisponda a quella indicata sulla targhetta dei dati tecnici. Non tentare mai di sostituire il caricabatterie con una normale spina elettrica.

- In caso di danneggiamento del filo di alimentazione, è necessario farlo riparare dal fabbricante o presso un centro assistenza BLACK+DECKER autorizzato in modo da evitare eventuali pericoli.

### Caratteristiche

Questo elettrodomestico presenta alcune o tutte le seguenti caratteristiche.

1. Interruttore a velocità variabile
2. Corsore avanti/indietro
3. Collare regolazione coppia
4. Mandrino autoserrante
5. Cambio a due velocità
6. Luce di lavoro a LED
7. Batteria
8. Pulsante di rilascio della batteria
9. Portapunte

### Assemblaggio

#### Utilizzo

**Avvertenza!** Lasciare che l'elettrotensile funzioni al suo ritmo. Non sovraccaricarlo.

### Carica della batteria (Fig. A)

La batteria deve essere caricata prima dell'impiego iniziale e quando non eroga una potenza sufficiente per lavori che prima era possibile eseguire facilmente. Durante la carica, la batteria potrebbe riscaldarsi. Si tratta di un fatto normale che non indica che vi è un problema.

**Avvertenza!** Non ricaricare la batteria a temperature ambientali inferiori a 10°C o superiori a 40°C. La temperatura di ricarica consigliata è di circa 24°C.

**Nota: il caricabatteria non carica una batteria se la temperatura della cella è inferiore a 10 °C o superiore a 40 °C. La batteria deve essere lasciata nel caricabatterie, che incomincerà a caricare automaticamente quando la temperatura della cella aumenta o diminuisce.**

- Collegare il caricabatteria a qualsiasi presa elettrica standard 230 Volt 50 Hz.
- Inserire il battery pack nel caricabatteria come mostrato in figura A.
- Il LED verde lampeggia mentre la ricarica è in corso.
- Il completamento della carica sarà indicato dal LED verde che rimane continuamente acceso. Il pacco è completamente carico e può essere utilizzato in questo momento o lasciato nel caricabatterie.

**Avvertenza!** Pericolo d'incendio. Quando si scollega il caricabatterie dall'utensile, accertarsi di scollegare prima il caricabatteria dalla presa di corrente, quindi scollegare il cavo del caricabatterie dall'utensile.

### Inserimento e rimozione del battery pack dall'utensile (Fig. B)

**Avvertenza!** Verificare che il pulsante di bloccaggio sia attivato per evitare l'azionamento dell'interruttore mentre si estrae o si inserisce la batteria.

Per installare il battery pack:

- Inserire il battery pack nell'apparecchio finché non si sente un clic (Fig. B).

### Rimozione del battery pack dall'utensile (Fig. C)

- Premere il pulsante di rilascio della batteria come indicato in (Fig. C) ed estrarre il battery pack dall'utensile.

### Istruzioni d'uso

#### Interruttore a grilletto e pulsante indietro

- Il trapano viene acceso e spento tirando e rilasciando l'interruttore a grilletto (1). Più in là viene premuto il grilletto, maggiore sarà la velocità del trapano.
- Un pulsante di comando avanti/indietro (2) determina la direzione dell'elettrotensile e funge anche da pulsante di sicurezza.

- Per selezionare la rotazione in avanti, rilasciare l'interruttore di accensione a grilletto e spostare il pulsante di comando avanti/indietro verso sinistra.
- Per selezionare la rotazione inversa, spostare il pulsante di comando avanti/indietro in direzione opposta.

**Nota:** La posizione centrale del pulsante di controllo blocca l'apparato in posizione spenta. Assicurarsi di avere rilasciato il grilletto prima di cambiare la posizione del pulsante di controllo.

### Controllo della coppia (fig.D)

L'elettrotensile è dotato di collare di regolazione della coppia (3) per selezionare la modalità operativa e per tarare la coppia di avvitamento delle viti. Le viti di grandi dimensioni e i pezzi in materiale più duro richiedono una coppia maggiore delle viti più piccole e dei pezzi in materiale più tenero.

- Per trapanare legno, metallo e plastica, regolare il collare sul simbolo del trapano.
- Per l'avvitatura, regolarlo sulla taratura desiderata. Se non si sa ancora quale taratura usare, procedere come descritto di seguito:
- Regolare il collare sulla taratura di coppia più bassa.
- Serrare la prima vite.
- Se la frizione scatta prima di aver ottenuto il risultato desiderato, aumentare la taratura del collare e continuare ad avvitare la vite. Ripetere fino a ottenere la taratura corretta. Usare questa taratura per le viti rimanenti.

### Mandrino senza chiave (Fig. E)

**Avvertenza!** Verificare che il pulsante di bloccaggio sia attivato per evitare l'azionamento dell'interruttore mentre si inseriscono o estraggono gli accessori.

Per infilare una punta da trapano o altri accessori:

- Afferrare la metà posteriore del mandrino (4) con una mano e usare l'altra per ruotare la metà anteriore in direzione antioraria (rispetto all'estremità con mandrino).
- Infilare la punta o un altro accessorio completamente nel mandrino e serrare saldamente tenendo la metà posteriore del mandrino e ruotando la parte anteriore in senso orario come visto dall'estremità del mandrino.

**Avvertenza!** Non tentare di serrare le punte da trapano (o qualsiasi altro accessorio) afferrando la parte anteriore del mandrino e accendendo l'elettrotensile. Durante il cambio degli accessori, si potrebbero causare danni al mandrino e lesioni personali.

### Selettore marce a due intervalli (Figura F)

La funzione del selettore marce a due intervalli del trapano a batteria consente di cambiare marce per una maggiore versatilità. Per selezionare la velocità bassa, con coppia alta (posizione 1), spegnere l'elettrotensile e lasciare che si fermi. Far scorrere il selettore marce (5) indietro (lontano dal mandrino). Per selezionare la velocità alta, con coppia bassa

(posizione 2), spegnere l'elettrotensile e lasciare che si fermi. Far scorrere il pulsante selettore marce verso il mandrino.

**Nota:** Non cambiare marce quando l'apparato è in funzione. In caso di difficoltà con il cambio delle marce, assicurarsi che il selettore marce a due intervalli sia completamente spinto in avanti o completamente spinto indietro.

### Avvitatura/trapanatura

- Selezionare la rotazione avanti o indietro usando il cursore avanti/indietro (2).
- Per accendere l'elettrotensile, premere l'interruttore di accensione (1). La velocità dell'elettrotensile dipende dalla pressione esercitata sull'interruttore.
- Per spegnere l'elettrotensile, rilasciare l'interruttore.

### Consigli per un utilizzo ottimale

#### Foratura

- Utilizzare solamente punte di trapano appuntite.
- Supportare e fissare il lavoro correttamente, come indicato nelle Istruzioni di sicurezza.
- Supportare e fissare il lavoro correttamente, come indicato nelle Istruzioni di sicurezza.
- Mettere in sicurezza e mantenere l'area di lavoro, come indicato nelle Istruzioni di sicurezza.
- Far funzionare il trapano molto lentamente, con una leggera pressione, fino a quando il foro è sufficientemente profondo da evitare la fuoriuscita della punta.
- Esercitare la pressione perpendicolarmente alla punta. Usare una pressione sufficiente a permettere alla punta di eseguire il foro, ma non così eccessiva da far spegnere il motore o da spostare la punta.
- Tenere saldamente il trapano con due mani per controllarne lo spostamento rotatorio.
- **NON PREMERE VARIE VOLTE L'INTERRUTTORE DI ACCENSIONE A GRILLETTO DI UN TRAPANO ARRESTATO PER TENTARE DI RIAVVIARLO. IL TRAPANO POTREBBE SUBIRE DANNI.**
- Contenere al massimo la possibilità di arresto iniziale, riducendo la pressione e trapanando lentamente l'ultima porzione del foro.
- Tenere acceso il motore mentre si estrae la punta da un foro trapanato. In questo modo si riducono gli inceppamenti.
- Assicurarsi che l'interruttore accenda e spenga il trapano.

#### Trapanatura del legno

I fori nel legno possono essere eseguiti con la medesima punta da trapano usata per il metallo o con punta a lancia. Queste punte devono essere affilate e devono essere estratte frequentemente per eliminare i trucioli dalle scanalature del trapano.

## Trapanatura del metallo

Utilizzare un lubrificante da taglio quando si forano metalli. Fanno eccezione la ghisa e l'ottone che vanno forati a secco. Gli oli da taglio che funzionano meglio di tutto sono quelli solforati o l'olio di lardo.

## Trapanatura di murature

Per trapanare murature, regolare il collare (3) alla posizione di trapanatura allineando il simbolo alla marcatura. Far scorrere il selettore della velocità (5) verso la parte anteriore dell'elettrotensile (seconda marcia).

## Avvitatura

- Usare sempre la punta da cacciavite di tipo e misura corretti.
- Se le viti sono dure da avvitare, versare una piccola quantità di detersivo o sapone per lubrificarle.
- Tenere sempre l'elettrotensile e la punta del cacciavite in posizione perpendicolare rispetto alla vite

## Ricerca guasti

Problema	Possibile causa	Eventuale soluzione
L'unità non parte.	Battery pack non caricato.	Controllare i requisiti di carica del battery pack
Il battery pack non si carica.	Alimentatore non collegato a una presa di corrente.	Collegare l'alimentatore a una presa di corrente che funzioni.
	Temperatura dell'aria circostante troppo calda o troppo fredda.	Spostare il caricabatteria e il battery pack ad una temperatura dell'aria circostante al di sopra di 4,5 °C o al di sotto di +40,5 °C.
L'unità si spegne improvvisamente.	Il battery pack ha raggiunto il limite termico massimo.	Lasciare che il battery pack si raffreddi.
	Carica esaurita. (Per massimizzare la durata della batteria il battery pack è progettato per spegnersi improvvisamente quando la carica è esaurita)	Posizionare sul carica-batteria e consentire la ricarica.

## Manutenzione

Questo elettrotensile BLACK+DECKER è stato progettato per funzionare a lungo con una manutenzione minima. Prestazioni sempre soddisfacenti dipendono da una cura appropriata e da una pulizia regolare. Il caricabatteria non richiede nessuna manutenzione salvo una regolare pulizia.

**Avvertenza!** Prima di eseguire interventi di manutenzione sull'elettrotensile, estrarre la batteria. Scollegare l'alimentatore dalla spina prima di pulirlo.

- Pulire regolarmente le prese di ventilazione dell'elettrotensile e dell'alimentatore con un pennello o con un panno morbido e asciutto.
- Il vano del motore deve essere pulito regolarmente con un panno umido.
- Non usare materiali abrasivi o detersivi a base di solventi.
- Aprire regolarmente il mandrino e batterlo leggermente per eliminare la polvere dall'interno.

## Tutela ambientale



Raccolta differenziata. I prodotti e le batterie contrassegnati con questo simbolo non devono essere smaltiti con i rifiuti domestici normali.

I prodotti e le batterie contengono materiali che possono essere recuperati o riciclati, riducendo la richiesta di materie prime. Riciclare i prodotti elettrici e le batterie attenendosi alle disposizioni locali vigenti. Ulteriori informazioni sono disponibili all'indirizzo [www.2helpU.com](http://www.2helpU.com).

## Dati tecnici

			BDCHD18	
Tensione	$V_{DC}$			18
Velocità a vuoto	$Min^{-1}$		0-400 / 0-1500	
Coppia max.	Nm			17,5/40
Capacità del mandrino	mm			1-10
Capacità di trapanatura max.				
Acciaio/Legno/Muratura	mm			10/25/10
Peso	kg			0,90 (con batteria 1,30)

Caricabatteria	S010***400040 SSC-250040**	S018***800100 SSC-200100**	90599854**	BDC2A 90606845
Tensione in ingresso	$V_{AC}$ 100 - 240	220 - 240	230	230
Tensione erogata	$V_{DC}$ 8 - 20	8 - 20	18	18
Corrente	mA 400	1000	1000	2000
Tempo di carica approssimativo	Ore 4 - 10	1,5 - 4	1,5 - 4	0,75 - 2

Batteria	BL1518	BL2018	BL2518	BL4018
Tensione	$V_{DC}$ 18	18	18	18
Capacità	Ah 1,5	2,0	2,5	4,0
Tipo	Agli ioni di litio	Agli ioni di litio	Agli ioni di litio	Agli ioni di litio

### Livello di pressione sonora misurato in base a EN 62841:

Pressione sonora ( $L_{pA}$ ) 88 dB(A), incertezza (K) 5 dB(A)

Potenza acustica ( $L_{WA}$ ) 99 dB(A), incertezza (K) 5 dB(A)

### Valori totali vibrazioni (somma vettoriale triassiale) in base a EN 62841:

Trapanatura a percussione nel calcestruzzo ( $a_{h,D}$ ) 13,4  $m/s^2$ , incertezza (K) 1,5  $m/s^2$

Trapanatura nel metallo ( $a_{h,D}$ ) <2,8  $m/s^2$ , incertezza (K) 1,5  $m/s^2$



**Dichiarazione di conformità CE**

DIRETTIVA MACCHINE



Trapano/avvitatore BDCHD18

Black & Decker dichiara che i prodotti descritti al paragrafo "Dati tecnici" sono conformi alle seguenti normative: 2006/42/CE, EN62841-1:2015, EN62841-2-1:2018+A11:2019.

Questi prodotti sono conformi alle Direttive 2014/30/UE e 2011/65/UE. Per ulteriori informazioni contattare Black & Decker al seguente indirizzo oppure consultare l'ultima di copertina del manuale.

Il firmatario è responsabile della compilazione del documento tecnico e rende questa dichiarazione per conto di Black & Decker.

*Patrick Diepenbach*

Patrick Diepenbach  
Direttore generale, Benelux  
Black and Decker,  
Egide Walschaertsstraat 14-18  
2800 Mechelen, Belgio  
10/08/2021

**Garanzia**

Black & Decker è certa della qualità dei propri prodotti e offre ai consumatori una garanzia di 24 mesi dalla data di acquisto. Tale garanzia è complementare ai diritti legali e non li pregiudica in alcun modo. La garanzia è valida nei territori degli stati membri dell'Unione europea, dell'EFTA (Associazione europea di libero scambio) e del Regno Unito. Per usufruire della garanzia, il difetto di conformità deve essere comunicato in accordo con i Termini e condizioni Black & Decker e sarà necessario presentare la prova di acquisto al venditore o al tecnico riparatore di un centro di assistenza autorizzato.

I Termini e condizioni della garanzia Black & Decker di 2 anni e la sede del tecnico riparatore autorizzato più vicino sono consultabili su Internet all'indirizzo [www.2helpU.com](http://www.2helpU.com), o contattando il proprio ufficio di zona all'indirizzo indicato in questo manuale.

Visitare il nostro sito [www.blackanddecker.co.uk](http://www.blackanddecker.co.uk) per registrare il prodotto Black & Decker appena acquistato e ricevere gli aggiornamenti su nuovi prodotti e offerte speciali.

**Bedoeld gebruik**

Uw BLACK+DECKER boormachine van het type BDCHD18 is ontworpen voor het boren in hout, metaal en metselwerk, maar kan ook als schroevendraaier worden gebruikt. Dit gereedschap is uitsluitend bestemd voor consumentengebruik.

**Veiligheidsinstructies****Algemene veiligheidswaarschuwingen voor elektrisch gereedschap**

**Waarschuwing! Lees alle veiligheidswaarschuwingen, instructies, illustraties en specificaties die bij dit gereedschap zijn meegeleverd.** Het niet opvolgen van alle onderstaande instructies kan leiden tot een elektrische schok, brand en/of ernstig persoonlijk letsel.

**Bewaar alle waarschuwingen en instructies als referentiemateriaal.** De hierna gebruikte term 'elektrisch gereedschap' in alle waarschuwingen die hieronder worden vermeld, heeft betrekking op elektrisch gereedschap voor gebruik op netspanning (met netsnoer) of met een accu (snoerloos).

**1. Veilige werkomgeving**

- a. **Houd het werkgebied schoon en goed verlicht.** Op rommelige of donkere plekken zullen sneller ongelukken gebeuren.
- b. **Gebruik elektrisch gereedschap niet in een omgeving met explosiegevaar, zoals in de nabijheid van brandbare vloeistoffen, gassen of stof.** Elektrisch gereedschap veroorzaakt vonken die het stof of de dampen kunnen doen ontbranden.
- c. **Houd kinderen en andere personen tijdens het gebruik van elektrisch gereedschap uit de buurt.** Als u wordt afgeleid, kunt u de controle over het gereedschap verliezen.

**2. Elektrische veiligheid**

- a. **De netstekker van het gereedschap moet in het stopcontact passen. Pas de stekker nooit op enige manier aan. Gebruik geen adapterstekkers in combinatie met geaard elektrisch gereedschap.** Niet-aangepaste stekkers en passende contactdozen verminderen het risico van een elektrische schok.
- b. **Vermijd aanraking van het lichaam met geaarde oppervlakken, bijvoorbeeld buizen, verwarming, fornuizen en koelkasten.** Er bestaat een verhoogd risico van een elektrische schok als uw lichaam contact heeft met aarde.
- c. **Houd het gereedschap uit de buurt van regen en vocht.** Als er water in elektrisch gereedschap binnendringt, verhoogt dit het risico van een elektrische schok.
- d. **Gebruik het snoer niet voor een verkeerd doel. Gebruik het snoer nooit om het elektrisch gereedschap te dragen**

- of naar u toe te trekken, of de stekker uit het stopcontact te halen. Houd het snoer uit de buurt van warmtebronnen, olie, scherpe randen, of bewegende onderdelen. Beschadigde snoeren of snoeren die in de war zijn geraakt, verhogen het risico van een elektrische schok.
- e. **Gebruik, wanneer u buitenshuis met elektrisch gereedschap werkt, alleen verlengsnoeren die zijn goedgekeurd voor gebruik buitenshuis.** Het gebruik van een verlengsnoer dat geschikt is voor buiten vermindert het risico van een elektrische schok.
- f. **Als u een elektrisch gereedschap moet gebruiken in een vochtige locatie, moet u een reststroomschakelaar (RCD) gebruiken.** Het gebruik van een aardlekschakelaar vermindert het risico van een elektrische schok.
- 3. Persoonlijke veiligheid**
- a. **Blijf alert, let goed op wat u doet en ga met verstand te werk bij het gebruik van elektrisch gereedschap. Gebruik elektrisch gereedschap niet als u vermoeid bent of als u onder invloed van drugs, alcohol of medicatie bent.** Een moment van onoplettendheid tijdens het werken met elektrisch gereedschap kan leiden tot ernstig persoonlijk letsel.
- b. **Draag persoonlijke beschermende kleding. Draag altijd oogbescherming.** Beschermende uitrusting, zoals een stofmasker, anti-slip veiligheidsschoenen, een helm, of gehoorbescherming, gebruikt in de juiste omstandigheden, zal het risico op persoonlijk letsel verminderen.
- c. **Voorkom dat het gereedschap onbedoeld kan worden ingeschakeld. Controleer dat de schakelaar in de uit-stand staat voor u het gereedschap aansluit op het stopcontact en/of de accu plaatst en voor u het gereedschap optilt of gaat dragen.** Het dragen van elektrisch gereedschap met uw vinger op de schakelaar of het aanzetten van elektrisch gereedschap waarvan de schakelaar aan staat, kan leiden tot ongelukken.
- d. **Verwijder alle stelsleutels of steeksleutels voor u het elektrische gereedschap aan zet.** Een steeksleutel of een inbussleutel in een draaiend deel van het elektrisch gereedschap kan tot persoonlijk letsel leiden.
- e. **Reik niet buiten uw macht. Blijf altijd stevig en in balans op de grond staan.** Dit geeft u betere controle over het elektrisch gereedschap in onverwachte situaties.
- f. **Draag de juiste kleding. Draag geen loszittende kleding of sieraden. Houd uw haar, kleding en handschoenen uit de buurt van bewegende onderdelen.** Loszittende kleding, sieraden of lang haar kunnen door bewegende delen worden gegrepen.
- g. **Controleer dat, wanneer hulpstukken voor stofafzuiging en stofopvang kunnen worden gemonteerd, deze goed zijn aangesloten en op juiste wijze worden gebruikt.** Het gebruik van stofafzuiging kan aan stof gerelateerde gevaren verminderen.
- h. **Word niet gemakzuchtig doordat u door veelvuldig gebruik vertrouwd bent geraakt met het gereedschap, en verlies niet de veiligheidsbeginselen voor het gereedschap uit het oog.** Een onvoorzichtige handeling kan in een fractie van een seconde ernstig letsel tot gevolg hebben.
- 4. Gebruik en onderhoud van elektrisch gereedschap**
- a. **Oefen niet te veel kracht uit op het elektrisch gereedschap. Gebruik het juiste elektrisch gereedschap voor uw toepassing.** Met het juiste elektrisch gereedschap kunt u de werkzaamheden waarvoor het gereedschap is ontworpen, beter en veiliger uitvoeren.
- b. **Gebruik geen elektrisch gereedschap waarvan de schakelaar defect is.** Ieder elektrisch gereedschap dat niet met de schakelaar kan worden bediend, is gevaarlijk en moet worden gerepareerd.
- c. **Haal de stekker uit het stopcontact en/of neem de accu uit het gereedschap voordat u aanpassingen uitvoert, accessoires verwisselt, of het elektrische gereedschap opbergt.** Dergelijke preventieve veiligheidsmaatregelen verminderen het risico dat het elektrisch gereedschap per ongeluk wordt gestart.
- d. **Bewaar niet-gebruikte elektrische gereedschappen buiten bereik van kinderen. Laat het gereedschap niet gebruiken door personen die er niet vertrouwd mee zijn en deze aanwijzingen niet hebben gelezen.** Elektrisch gereedschap is gevaarlijk in handen van ongetrainde gebruikers.
- e. **Onderhoud elektrisch gereedschap en accessoires goed. Controleer dat bewegende delen van het elektrisch gereedschap wel goed functioneren en niet klemmen, en dat er niet onderdelen zodanig zijn gebroken of beschadigd dat de werking van het gereedschap nadelig wordt beïnvloed. Laat het gereedschap voor gebruik repareren als het beschadigd is.** Veel ongelukken worden veroorzaakt door slecht onderhouden elektrisch gereedschap.
- f. **Houd gereedschap voor maaien en zagen scherp en schoon.** Goed onderhouden zaaggereedschap met scherpe snijvlakken loopt minder snel vast en is gemakkelijker onder controle te houden.
- g. **Gebruik elektrisch gereedschap, accessoires, hulpstukken en dergelijke volgens deze aanwijzingen. Let daarbij op de arbeidsomstandigheden en de uit te voeren werkzaamheden.** Gebruik van het elektrisch gereedschap voor werkzaamheden die anders zijn dan bedoeld, kan leiden tot een gevaarlijke situatie.
- h. **Houd de handgrepen droog, schoon en vrij van olie en vet.** Gladde handgrepen en greepoppervlakken maken het moeilijk het gereedschap veilig te hanteren en onder controle te houden in onverwachte situaties.
- 5. Gebruik en verzorging van accugereedschap**
- a. **Laad de accu alleen op met de oplader die wordt opgegeven door de fabrikant.** Een lader die geschikt is

voor het ene type accu, kan een risico van brand doen ontstaan bij gebruik met een andere accu.

- b. **Gebruik elektrisch gereedschap alleen in combinatie met specifiek vermelde accu's.** Het gebruik van andere accu's kan gevaar voor letsel en brand geven.
- c. **Houd accu's die niet worden gebruikt uit de buurt van andere metalen voorwerpen, zoals paperclips, munten, spijkers, schroeven of andere kleine metalen voorwerpen die een verbinding van de ene pool naar de andere tot stand kunnen brengen.** Als kortsluiting tussen de polen van de accu wordt gemaakt, kan dit tot brandwonden of brand leiden.
- d. **Wanneer de accu slecht wordt behandeld, kan er vloeistof uit de accu spuiten, vermijd contact met deze vloeistof. Als er per ongeluk contact ontstaat, spoel dan met water. Als de vloeistof in de ogen komt, roep dan tevens medische hulp in.** Vloeistof uit de accu kan irritatie en brandwonden veroorzaken.
- e. **Gebruik niet een accu of gereedschap die/dat beschadigd is of waaraan wijzigingen zijn aangebracht.** Beschadigde of gemodificeerde accu's kunnen zich onvoorspelbaar gedragen wat brand, explosie of een risico van letsel met zich mee kan brengen.
- f. **Stel een accu of gereedschap niet bloot aan vuur of uitzonderlijk hoge temperaturen.** Blootstelling aan vuur of een temperatuur boven 130 °C kan explosie tot gevolg hebben.
- g. **Volg alle instructies voor het opladen en laad de accu of het gereedschap niet bij een temperatuur buiten het temperatuurbereik dat wordt opgegeven in de instructies.** Onjuist opladen of opladen bij temperaturen buiten het opgegeven bereik kan de accu beschadigen en het risico van brand vergroten.

**6. Service**

- a. **Laat het gereedschap alleen repareren door gekwalificeerd en vakkundig personeel en alleen met originele vervangingsonderdelen.** De veiligheid van het gereedschap blijft dan behouden.
- b. **Voer nooit servicewerkzaamheden uit aan accu's.** Alleen de fabrikant of een geautoriseerd servicecentrum mag servicewerkzaamheden aan accu's uitvoeren.

**Aanvullende veiligheidswaarschuwingen voor elektrisch gereedschap**



**Waarschuwing!** Aanvullende veiligheidswaarschuwingen voor boormachines.

- Houd het elektrische gereedschap vast bij de geïsoleerde grijpvlakken wanneer u een handeling uitvoert waarbij het snijaccessoire in contact kan komen met verborgen bedrading. Als een snijaccessoire in contact komt met

een draad die onder stroom staat, kunnen blootliggende metalen delen van het elektrische gereedschap onder spanning komen te staan en kan de gebruiker een elektrische schok krijgen.

- Draag gehoorbeschermers bij klopboren. Blootstelling aan lawaai kan gehoorbeschadiging veroorzaken.
- Gebruik klemmen of een andere praktische manier om het werkstuk op een stabiel platform te bevestigen en te ondersteunen. Als u het werkstuk met de hand of tegen uw lichaam vasthoudt, wordt het onstabiel en kunt u de controle verliezen.
- Voordat u bevestigingsmiddelen in muren, vloeren of plafonds slaat, controleert u de locatie van bedrading en leidingen.
- Het bedoelde gebruik wordt beschreven in deze gebruiksaanwijzing.
- Het gebruik van een accessoire of hulpstuk of het uitvoeren van enige handeling met dit gereedschap, anders dan aanbevolen in deze gebruiksaanwijzing, kan een risico op persoonlijk letsel en/of schade aan eigendommen inhouden.

**Veiligheidsinstructies wanneer u lange boren gebruikt**

- Werk nooit op een hogere snelheid dan de maximale nominale snelheid op de boor-bit. Bij hogere snelheden zal de boor misschien doorbuigen als deze vrij kan draaien zonder contact met het werkstuk, wat persoonlijk letsel tot gevolg heeft.
- Begin altijd met woorden op een lagere snelheid met de boor-bit in contact met het werkstuk. Bij hogere snelheden zal de boor misschien doorbuigen als deze vrij kan draaien zonder contact met het werkstuk, wat persoonlijk letsel tot gevolg heeft.
- Oefen alleen in een directe lijn met het boortje druk uit en oefen niet al te veel druk uit. Bits kunnen doorbuigen waardoor de bit kan breken of de gebruiker de controle kan verliezen, wat persoonlijk letsel tot gevolg heeft.

**Veiligheid van anderen**

- Dit gereedschap is niet bedoeld voor gebruik door personen (inclusief kinderen) met een verminderde fysieke, sensorische of mentale vermogens, of met een gebrek aan ervaring en kennis, tenzij zij onder toezicht staan of instructie over het gebruik van dit gereedschap hebben ontvangen van iemand die verantwoordelijk is voor hun veiligheid.
- Houd toezicht op kinderen zodat zij niet met het apparaat kunnen spelen.

**Overige risico's**

Er kunnen zich nog meer risico's voordoen bij het gebruik van deze machine, die mogelijk niet in de bijgesloten veiligheidswaarschuwingen worden beschreven. Deze

risico's kunnen zich voordoen door onoordeelkundig gebruik, langdurig gebruik, enz.

Zelfs wanneer de veiligheidsvoorschriften in acht worden genomen en de veiligheidshulpmiddelen worden gebruikt, kunnen bepaalde risico's niet worden uitgesloten. Dit zijn onder meer:

- Verwondingen die worden veroorzaakt door aanraking van draaiende/bewegende onderdelen.
- Verwondingen die worden veroorzaakt bij het vervangen van onderdelen, zaagbladen of accessoires.
- Verwondingen die worden veroorzaakt door langdurig gebruik van gereedschap. Wanneer u langere periodes met het gereedschap werkt, kunt u het beste regelmatig een pauze nemen.
- Gehoorbeschadiging.
- Gezondheidsrisico's door het inademen van stof dat vrijkomt bij gebruik van uw gereedschap (bijv.: het werken met hout, vooral eiken, beuken en MDF).

## Trillingen

De aangegeven waarden voor trillingsemisatie in de technische gegevens en de conformiteitverklaring, zijn gemeten conform een standaardtestmethode die door EN 62841 wordt verstrekt. Hiermee kan het ene gereedschap met het andere worden vergeleken. De aangegeven waarde voor trillingsemisatie kan ook worden gebruikt bij een voorlopige bepaling van blootstelling.

**Waarschuwing!** De waarde voor trillingsemisatie tijdens het werkelijke gebruik van het gereedschap kan verschillen van de aangegeven waarde afhankelijk van de manieren waarop het gereedschap wordt gebruikt. Het trillingsniveau kan hoger worden dan het aangegeven niveau.

Wanneer de blootstelling aan trillingen wordt vastgesteld teneinde veiligheidsmaatregelen te bepalen die worden vereist door 2002/44/EG ter bescherming van personen die tijdens hun werk regelmatig elektrische gereedschappen gebruiken, moet bij een schatting van de blootstelling aan trillingen rekening worden gehouden met de werkelijke omstandigheden van het gebruik en de manier waarop het gereedschap wordt gebruikt. Daarbij moet ook rekening worden gehouden met alle stappen in de gebruikscyclus, zoals het moment waarop het gereedschap wordt uitgeschakeld en wanneer het gereedschap stationair loopt alsook de aanlooptijd.

## Etiketten op het gereedschap

Behalve van de datumcode is het gereedschap voorzien van de volgende symbolen:



**Waarschuwing!** De gebruiker moet de instructiehandleiding lezen zodat het risico van letsel wordt beperkt.



Kijk niet naar de werkende lamp

## Aanvullende instructies voor de veiligheid voor accu's en ladervs (niet meegeleverd met het gereedschap)

### Accu's

- Probeer nooit om welke reden dan ook de accu open te maken.
- Stel de accu niet bloot aan water.
- Bewaar de accu niet op locaties waar de temperatuur kan stijgen tot boven 40 °C.
- Laad de accu's alleen op bij een omgevingstemperatuur tussen 10 °C en 40 °C.
- Laad de accu alleen op in de lader die bij het gereedschap wordt geleverd.
- Gooi accu's weg volgens de instructies in het hoofdstuk "Het milieu beschermen".



Probeer niet beschadigde accu's op te laden.

### Laders

- Gebruik de lader van BLACK+DECKER alleen voor de accu's in het gereedschap waarbij de lader is geleverd. Andere accu's kunnen openbarsten, met letsel en materiële schade tot gevolg.
- Probeer nooit niet-oplaadbare accu's op te laden.
- Laat een snoer dat kapot is, direct vervangen.
- Stel de lader niet bloot aan water.
- Maak de lader niet open.
- Steek niet met een scherp voorwerp in de lader.



De lader is uitsluitend bestemd voor gebruik binnenshuis.



Lees de instructiehandleiding voordat u de lader in gebruik neemt.

## Elektrische veiligheid



De lader is dubbel geïsoleerd, en daarom is een aardedraad niet nodig. Controleer altijd dat de netspanning overeenkomt met de waarde op het typeplaatje. Probeer nooit de lader te voorzien van een normale netstekker.

- Als het netsnoer is beschadigd, moet dit door de fabrikant of door een BLACK+DECKER-servicecentrum worden vervangen, zodat gevaarlijke situaties worden voorkomen.

## Onderdelen

Dit gereedschap is voorzien van enkele of alle van de volgende functies.

1. Variabele snelheidsschakelaar
2. Schuifknop voor rechtsom/linksom
3. Stelring voor torsie
4. Sleutellose boorkop
5. Twee snelheden
6. LED-werklicht
7. Accu
8. Accu-ontgrendelknop
9. Bithouder voor gebruik als schroevendraaier

## Montage

### Gebruik

**Waarschuwing!** Laat het gereedschap op zijn eigen snelheid werken. Overbelast het apparaat niet.

### De accu opladen (Afb. A)

De accu moet vóór het eerste gebruik worden opgeladen, en ook zodra de accu niet meer voldoende vermogen levert voor taken die eerst gemakkelijk konden worden uitgevoerd. Tijdens het opladen kan de accu warm worden. Dit is normaal en duidt niet op een probleem.

**Waarschuwing!** Laad de batterij niet op bij een omgevingstemperatuur van lager dan 10 °C of hoger dan 40 °C. De aanbevolen laadtemperatuur ligt op ongev. 24 °C.

**OPMERKING: De lader functioneert niet als de temperatuur van de accu lager is dan ongeveer 10° C of hoger dan 40° C. Laat de accu in dat geval in de lader zitten. De lader wordt automatisch ingeschakeld wanneer de accu de juiste temperatuur heeft.**

- Steek de stekker van de lader in een standaard stopcontact van 230 V / 50 Hz.
- Schuif de accu in de lader, zoals wordt getoond in Afb. A.
- Het groene oplaadlampje gaat knipperen ten teken dat de accu wordt opgeladen.
- Wanneer de accu geheel is opgeladen, blijft het groene lampje ononderbroken branden. De accu is volledig opgeladen en kan worden gebruikt of in de lader blijven zitten.

**Waarschuwing!** Brandgevaar. Wanneer u de lader loskoppelt van het gereedschap, let er dan vooral op dat u eerst de stekker uit het stopcontact trekt en vervolgens het snoer van de lader loskoppelt van het gereedschap.

### De accu in het apparaat plaatsen en eruit nemen (Afb. B)

**Waarschuwing!** Controleer dat de vergrendelingsknop voor de Uit-stand is ingeschakeld zodat de schakelaar niet kan worden bediend, voordat u de accu uitneemt of plaatst.

### De accu plaatsen

- Steek de accu in het gereedschap en duw tot u een klik hoort (Afb. B)

### De accu uit het apparaat nemen (Afb. C)

- Druk op de accuvrijgaveknop zoals wordt getoond in (Afb. C) en trek de accu uit het gereedschap.

## Bedieningsinstructies

### Aan/uit-schakelaar & Knop Vooruit/Achteruit

- U zet de boor AAN en UIT door de Aan/Uit-schakelaar (1) in te trekken en los te laten. Hoe verder u de Aan/Uit-schakelaar indrukt.

- des te hoger de snelheid van de boormachine.
- Met de vooruit/achteruit-knop (2) bepaalt u de draairichting van het gereedschap. Deze knop dient ook als vergrendelingsknop voor de Uit-stand.
- Wilt u de voorwaartse draairichting selecteren, dan laat u de Aan/Uit-schakelaar los en duwt u de Vooruit/Achteruit-knop naar links.
- Wilt u de achterwaartse draairichting selecteren, dan duwt u de Vooruit/Achteruit-knop in de tegengestelde richting.

**OPMERKING:** De middelste stand van de regelknop vergrendelt het gereedschap in de uit-stand. Wanneer u de stand van de regelknop wijzigt, is het belangrijk dat u de aan/uit-knop niet indrukt.

### Torsieregeling (Afb. D)

Dit gereedschap is voorzien van een stelling (3) voor de torsie waarmee u de gebruiksstand kunt selecteren en de torsie voor het indraaien van schroeven kunt instellen. Grote schroeven en harde werkmaterialen vragen een hogere torsie-instelling dan kleine schroeven en zachte werkmaterialen.

- Zet voor het boren in hout, metaal en kunststof de stelling op het symbool voor de boorstand
- Zet voor het in- en uit draaien van schroeven de stelling op de gewenste stand. Als u niet weet wat de juiste instelling is, ga dan als volgt te werk:
- Zet de stelling in de stand voor de minste torsie.
- Draai de eerste schroef in.
- Zet, als de koppeling ratel voortdat het gewenste resultaat is bereikt, de stelling in een stand voor meer torsie ga door met het indraaien van de schroef. Herhaal dit totdat u de juiste instelling bereikt. Gebruik deze instelling voor de resterende schroeven.

### Spanknop zonder sleutel (Afb. E)

**Waarschuwing!** Controleer, voordat u accessoires plaatst of losneemt, dat de vergrendelingsknop voor de Uit-stand is ingeschakeld zodat de schakelaar niet kan worden bediend. Een boortje of een ander accessoire plaatsen:

- Pak het achterste gedeelte van de spanknop (4) met uw ene hand vast en draai met uw andere hand het voorste gedeelte naar links (gezien vanuit de spanknop).
- Plaats het boortje of het andere accessoire geheel in de spanknop stevig en zet het stevig vast door het achterste gedeelte van de spanknop vast te houden en het voorste gedeelte naar rechts te draaien (gezien vanuit de spanknop).

**Waarschuwing!** Probeer niet boren (of andere accessoires) vast te zetten door het voorste gedeelte van de spanknop vast te houden en het gereedschap in te schakelen. Wanneer u accessoires op deze manier vervangt, kan de spanknop beschadigd raken en kunt u zich bezeren.

### Twee snelheden (Afb. F)

Met de dubbele versnelling van uw boormachine kunt een andere versnelling kiezen en dat levert meer

toepassingsmogelijkheden op. Schakel voor de lage snelheid, voor de instelling voor hoge torsie (stand 1), het gereedschap uit en laat het tot stilstand komen. Schuif de knop voor snelheidswissel (5) naar achteren (weg van de boorkop). Schakel voor de hoge snelheid, voor de instelling voor lage torsie (stand 2), het gereedschap uit en laat u het tot stilstand komen.

Schuif de knop voor snelheidswissel naar voren (naar de boorkop toe).

**OPMERKING:** Wissel niet van snelheid wanneer het gereedschap draait. Als het wisselen van snelheid niet gemakkelijk verloopt, is het belangrijk dat u controleert dat de knop voor de snelheidswissel geheel naar voren of geheel naar achteren is geduwd.

## Boren/schroeven

- Selecteer de draairichting vooruit of achteruit met de schuifknop voor vooruit/achteruit (2).
- Schakel het gereedschap in door schakelaar (1) in te drukken. De snelheid van het gereedschap hangt af van hoe ver u de schakelaar indrukt.
- U schakelt het gereedschap uit door de schakelaar los te laten.

## Tips voor optimaal gebruik

### Boren

- Gebruik alleen scherpe boortjes.
- Ondersteun het werk en zet het goed vast, volgens de aanwijzingen in Instructies voor de veiligheid.
- Gebruik geschikte en vereiste veiligheidsapparatuur, volgens de aanwijzingen in Instructies voor de veiligheid.
- Maak het werkgebied veilig en onderhoud het, volgens de aanwijzingen in Instructies voor de veiligheid.
- Laat de boormachine langzaam werken, oefen lichte druk uit tot het gat voldoende diep is en het boortje niet meer kan weglopen.
- Oefen druk uit in een rechte lijn op het boortje. Duw hard genoeg om het boortje zijn werk te laten doen, maar niet zo hard dat de motor vastloopt of het boortje van zijn rechte lijn afwijkt.
- Houd de boormachine stevig met twee handen vast zodat u de draaibeweging in bedwang kunt houden.
- **SCHAKEL EEN VASTGELOPEN BOORMACHINE NIET IN EN UIT IN EEN POGING DE MACHINE WEER OP GANG TE BRENGEN. HIERDOOR KAN DE BOORMACHINE BESCHADIGD RAKEN.**
- Verklein de kans op vastlopen in het laatste gedeelte van het boren door tegen dan de druk te verminderen en langzaam te boren.
- Laat de motor draaien terwijl u het boortje uit het geboorde gat trekt. Zo verkleint u de kans van vastlopen.
- Controleer dat de Aan/Uit-schakelaar goed werkt.

## In hout boren

Gaten in hout kunt u met dezelfde spiraalboren maken die u ook voor metaal gebruikt, of met speciale speed-boren. Deze boren moeten scherp zijn en moeten tijdens het boren regelmatig uit het gat worden getrokken zodat spaanders uit de groeven van de boor kunnen ontsnappen.

## In metaal boren

Gebruik een snijveloestof wanneer u in metaal boort. De uitzonderingen zijn gietijzer en messing, deze moeten droog worden geboord. De koelolies die het beste werken, zijn gezwavelde koelolie of reuzelolie.

## In metselwerk boren

Zet voor boren in metselwerk de kraag (3) in de stand voor hamerboren door het symbool tegenover de markering te draaien. Schuif de keuzeschakelaar voor de snelheid (5) naar de voorzijde van het gereedschap (2e versnelling).

## Schroeven

- Gebruik altijd een schroefbit van het juiste type en formaat.
- Als schroeven moeilijk kunnen worden vastgedraaid, kunt u een kleine hoeveelheid afwasmiddel of zeep als smeermiddel gebruiken.
- Houd het gereedschap en het schroefbit altijd recht in het verlengde van de schroef.

## Problemen oplossen

Probleem	Mogelijke oorzaak	Mogelijke oplossing
Toestel start niet	De accu is niet opgeladen.	Controleer de laadvereisten voor de accu.
De accu laadt niet op.	De stekker van de lader zit niet in het stopcontact in.  De omgevingstemperatuur is te hoog of te laag.	Steek de stekker van de lader in een stopcontact waar stroom op staat.  Verplaats de lader en de accu naar een locatie waar de luchttemperatuur hoger is dan 4,5 °C en lager is dan +40,5 °C.
Apparaat werkt plotseling niet meer.	Accu heeft de maximale temperatuur bereikt.  Accu is leeg. (De accu is zo ontworpen dat hij zichzelf plotseling uitschakelt wanneer hij bijna leeg is. Dit verlengt de levensduur van de accu).	Laat de accu afkoelen.  Plaats de accu op de lader en laad de accu op.

## Onderhoud

Uw BLACK+DECKER-gereedschap is ontworpen om gedurende langere periode te functioneren met een minimum aan onderhoud. Het continu naar tevredenheid functioneren hangt af van de juiste zorg voor het gereedschap en regelmatig schoonmaken.

Behalve regelmatige reiniging vraagt de lader geen onderhoud.

**Waarschuwing!** Voordat u onderhoud aan het gereedschap



uitvoert, verwijdert u de accu uit het gereedschap. Neem de lader uit het stopcontact voordat u deze schoonmaakt.

- Reinig de ventilatieopeningen van het gereedschap en de lader regelmatig met een zachte borstel of een droge doek.
- Reinig de behuizing van de motor regelmatig met een vochtige doek.
- Gebruik niet een schurend schoonmaakmiddel of een schoonmaakmiddel op basis van een oplosmiddel.
- Open regelmatig de spanknop en tik eventueel stof uit het binnenste.

**Milieu**



Gescheiden afvalinzameling. Producten en accu's waarop dit symbool is aangebracht, mogen niet bij het normale huishoudafval worden weggegooid.

Producten en accu's bevatten materialen die kunnen worden teruggewonnen of gerecycled, wat de vraag naar grondstoffen doet afnemen. Recycle elektrische producten en accu's volgens de ter plaatse geldende bepalingen. Nadere informatie is beschikbaar op [www.2helpU.com](http://www.2helpU.com).

**Technische gegevens**

		BDCHD18	
Spanning	$V_{DC}$		18
Snelheid onbelast	$Min^{-1}$	0-400 / 0-1500	
Max. torsie	Nm		17,5/40
Capaciteit boorkop	mm		1-10
Max. boorvermogen			
Staal/Hout/Metselwerk	mm		10/25/10
Gewicht	kg		0,90 (met accu 1,30)

Lader		S010***400040 SSC-250040**	S018***800100 SSC-200100**	90599854**	BDC2A 90606845
Ingangsspanning	$V_{AC}$	100 - 240	220 - 240	230	230
Uitgangsspanning	$V_{DC}$	8 - 20	8 - 20	18	18
Laadstroom	mA	400	1000	1000	2000
Oplaaftijd ongev.	Uur	4 - 10	1,5 - 4	1,5 - 4	0,75 - 2

Accu		BL1518	BL2018	BL2518	BL4018
Spanning	$V_{DC}$	18	18	18	18
Capaciteit	Ah	1,5	2,0	2,5	4,0
Type		Li-Ion	Li-Ion	Li-Ion	Li-Ion

Geluidsdrukkniveau, volgens EN 62841:	
Geluidsdruk ( $L_{pA}$ )	88 dB(A), meetonzekerheid (K) 5 dB(A)
Geluidsvermogen ( $L_{WA}$ )	99 dB(A), meetonzekerheid (K) 5 dB(A)

Totale trillingswaarden (som triaxvector) volgens EN 62841:	
Met slagboor in beton boren ( $a_{h, 10}$ )	13,4 $m/s^2$ , onzekerheid (K) 1,5 $m/s^2$
Boren in metaal ( $a_{h, D}$ )	<2,8 $m/s^2$ , onzekerheid (K) 1,5 $m/s^2$

**EG conformiteitsverklaring**  
RICHTLIJN VOOR MACHINES



BDCHD18-boormachine/schroevendraaier

Black & Decker verklaart dat deze producten, beschreven bij 'Technische gegevens', voldoen aan: 2006/42/EG, EN62841-1-2:2015, EN62841-2-1:2018+A11:2019.

Deze producten voldoen tevens aan richtlijn 2014/30/EU en 2011/65/EU. Neem voor meer informatie contact op met Black & Decker op het volgende adres of raadpleeg de achterzijde van de handleiding.

De ondergetekende is verantwoordelijk voor de samenstelling van het technische bestand en legt deze verklaring af namens. Black & Decker.

*Patrick Diepenbach*

Patrick Diepenbach  
General Manager, Benelux  
Black and Decker,  
Egide Walschaertsstraat 14-18  
2800 Mechelen, Belgium  
10/08/2021

**Garantie**

Black & Decker heeft vertrouwen in zijn producten en biedt consumenten een garantie van 24 maanden vanaf de aankoopdatum. Deze garantie vormt een aanvulling op uw wettelijke rechten en beperkt deze op geen enkele manier. De garantie is geldig binnen het grondgebied van de Lidstaten van de Europese Unie en de Europese Vrijhandelszone en het Verenigd Koninkrijk. Voor een garantie-aanspraak moet uw aanspraak in overeenstemming zijn met de Voorwaarden en Condities van Black & Decker en moet u een bewijs van aankoop overleggen aan de verkoper of aan een geautoriseerde reparatiemonteur. Voorwaarden en condities van de 2-jarige garantie van Black & Decker en het adres van de vestiging van het geautoriseerde reparatiecentrum bij u in de buurt, kunt u vinden op internet op [www.2helpU.com](http://www.2helpU.com), of door contact op te nemen met het Black & Decker-kantoor ter plaatse op het adres dat in deze handleiding wordt vermeld. Ga naar onze website [www.blackanddecker.co.uk](http://www.blackanddecker.co.uk) om uw nieuw Black & Decker-product te registreren en het laatste nieuws vindt over nieuwe producten en speciale aanbiedingen te ontvangen.



## Uso previsto

El taladro BLACK+DECKER BDCHD18 ha sido diseñado para aplicaciones de atornillado y de taladrado de madera, metales y plásticos. Esta herramienta ha sido concebida únicamente para uso doméstico.

## Instrucciones de seguridad

### Advertencias de seguridad para herramientas eléctricas en general



**¡Advertencia!** Lea todas las advertencias de seguridad, instrucciones, ilustraciones y especificaciones suministradas con esta herramienta eléctrica. El incumplimiento de las instrucciones que se indican a continuación puede causar descargas eléctricas, incendios y/o lesiones graves.

Guarde todas las advertencias e instrucciones para futuras consultas. El término "herramienta eléctrica" empleado en las advertencias indicadas a continuación se refiere a la herramienta eléctrica con alimentación de red (con cable) o alimentada por batería (sin cable).

#### 1. Seguridad del área de trabajo

- Mantenga su área de trabajo limpia y bien iluminada.** Las áreas en desorden u oscuras pueden provocar accidentes.
- No utilice la herramienta eléctrica en un entorno con peligro de explosión, en el que se encuentren líquidos, gases o material en polvo inflamables.** Las herramientas eléctricas originan chispas que pueden inflamar el polvo o los gases.
- Cuando utilice la herramienta eléctrica, mantenga alejados a los niños y a otras personas del área de trabajo.** Las distracciones pueden causar la pérdida del control de la herramienta.

#### 2. Seguridad eléctrica

- El enchufe de la herramienta eléctrica debe corresponder a la toma de corriente utilizada. No modifique nunca el enchufe de ninguna forma. No utilice ningún enchufe adaptador con las herramientas eléctricas conectadas a tierra (puestas a masa).** Los enchufes no modificados y las tomas de corriente compatibles reducen el riesgo de descarga eléctrica.
- Evite el contacto corporal con superficies conectadas a tierra o puestas a masa tales como tuberías, radiadores, cocinas y neveras.** Existe un mayor riesgo de descarga eléctrica si su cuerpo está conectado a tierra o puesto a masa.
- No exponga la herramienta eléctrica a la lluvia o a condiciones de humedad.** Si entra agua en una herramienta eléctrica, aumenta el riesgo de descarga eléctrica.

- Cuide el cable de alimentación. No use nunca el cable para transportar, tirar de la herramienta eléctrica o desenchufarla. Mantenga el cable alejado del calor, aceite, bordes afilados y piezas en movimiento.** Los cables dañados o enredados aumentan el riesgo de descarga eléctrica.
- Si trabaja con la herramienta eléctrica en el exterior, utilice solamente cables de prolongación homologados para uso en exteriores.** La utilización de un cable adecuado para uso en exteriores reduce el riesgo de descarga eléctrica.
- Si la utilización de una herramienta eléctrica en un lugar húmedo es inevitable, utilice una fuente protegida con un dispositivo diferencial residual (DDR).** El uso de un DDR reduce el riesgo de descarga eléctrica.

#### 3. Seguridad personal

- Esté atento a lo que hace y utilice la herramienta eléctrica con prudencia. No maneje una herramienta eléctrica cuando esté cansado o bajo los efectos de drogas, medicamentos o alcohol.** Un momento de desatención cuando se manejan herramientas eléctricas puede ocasionar lesiones personales graves.
- Utilice equipo de seguridad personal. Utilice siempre protección ocular.** El uso de equipo de protección, como mascarillas antipolvo, calzado antideslizante, casco o protección auditiva para las condiciones apropiadas reduce la posibilidad de sufrir lesiones corporales.
- Impida que la herramienta se ponga en marcha accidentalmente. Asegúrese de que el interruptor se encuentre en la posición de apagado antes de conectar la herramienta a la fuente de alimentación o a la batería, o de coger o transportar la herramienta.** Transportar herramientas eléctricas con el dedo puesto en el interruptor o herramientas eléctricas activadoras que tengan el interruptor encendido puede provocar accidentes.
- Saque las llaves de ajuste o llaves inglesas antes de encender la herramienta eléctrica.** Dejar una llave inglesa u otra llave puesta en una pieza giratoria de la herramienta eléctrica puede ocasionar lesiones personales.
- No se estire demasiado. Mantenga un equilibrio adecuado y la estabilidad constantemente.** Esto permite un mejor control de la herramienta eléctrica en situaciones inesperadas.
- Use la vestimenta adecuada. No se ponga ropa suelta o joyas. Mantenga el cabello, la ropa y los guantes alejados de las piezas en movimiento.** La ropa suelta, las joyas y el pelo largo pueden quedar atrapados en las piezas móviles.
- Siempre que sea posible utilizar equipos de aspiración o captación de polvo, asegúrese de que estos estén conectados y que se utilicen**

**correctamente.** El uso de equipo de recogida de polvo puede reducir los riesgos relacionados con el polvo.

- h. Evite que la familiaridad adquirida con el uso frecuente de las herramientas le haga confiarse demasiado e ignorar las principales normas de seguridad de las herramientas.** Una utilización descuidada puede provocar lesiones graves en cuestión de segundos.
- 4. Uso y cuidado de herramientas eléctricas**
    - a. No sobrecargue la herramienta eléctrica. Use la herramienta eléctrica correcta para su trabajo.** La herramienta eléctrica correcta funcionará mejor y con mayor seguridad si se utiliza de acuerdo con sus características técnicas.
    - b. No utilice la herramienta eléctrica si tiene el interruptor defectuoso.** Toda herramienta eléctrica que no pueda controlarse con el interruptor es peligrosa y debe ser reparada.
    - c. Desconecte el enchufe de la fuente de alimentación y/o saque la batería de la herramienta antes de realizar cualquier ajuste, cambiar accesorios o guardar las herramientas mecánicas.** Tales medidas de seguridad preventivas reducen el riesgo de poner en marcha la herramienta eléctrica accidentalmente.
    - d. Guarde la herramienta eléctrica fuera del alcance de los niños y de las personas que no estén familiarizadas con su uso ni con estas instrucciones.** Las herramientas eléctricas son peligrosas en manos de personas no capacitadas.
    - e. Realice el mantenimiento de las herramientas eléctricas y sus accesorios. Compruebe que las piezas móviles no estén desalineadas ni atascadas, que no haya piezas rotas y cualquier otra condición que pudiera afectar al funcionamiento de la herramienta eléctrica. Si la herramienta eléctrica está dañada, llévela para que sea reparada antes de utilizarla.** Muchos accidentes se producen por el mantenimiento inadecuado de las herramientas eléctricas.
    - f. Mantenga las herramientas de corte limpias y afiladas.** Las herramientas de corte con bordes afilados y correctamente mantenidas tienen menos probabilidad de bloquearse y son más fáciles de controlar.
    - g. Utilice la herramienta eléctrica, los accesorios, los utensilios de la herramienta, etc. de acuerdo con estas instrucciones, y tenga en cuenta las condiciones de trabajo y la tarea a realizar.** El uso de la herramienta eléctrica para operaciones que no sean las previstas puede ocasionar una situación peligrosa.
    - h. Mantenga las empuñaduras y las superficies de agarre secas, limpias y libres de aceite y grasa.** Las empuñaduras resbaladizas y las superficies engrasadas impiden aferrar y controlar la herramienta en situaciones imprevistas.

**5. Uso y cuidado de la batería**

- a. Recargue exclusivamente con el cargador indicado por el fabricante.** Un cargador adecuado para un tipo de batería puede provocar riesgos de incendios al ser utilizado con otra batería.
- b. Utilice herramientas eléctricas solamente cuando se especifique en la batería.** El uso de otras baterías puede suponer un riesgo de lesiones e incendio.
- c. Cuando no se utilice la batería, manténgala alejada de objetos de metal como clips para papel, monedas, llaves, clavos, tornillos y otros pequeños objetos metálicos que pueden realizar una conexión de un terminal a otro.** Si se produce un cortocircuito entre los terminales de la batería, pueden ocasionarse incendios o quemaduras.
- d. En condiciones abusivas, podrá salir líquido de la batería, evite el contacto. Si se produce un contacto accidental, lave con agua. Si el líquido se pone en contacto con los ojos, acuda además a un médico.** El líquido expulsado de la batería podrá provocar irritaciones o quemaduras.
- e. No use la batería ni la herramienta si están dañadas o han sido modificadas.** Las baterías dañadas o modificadas pueden tener reacciones imprevistas y causar incendios, explosión o riesgo de lesiones.
- f. No exponga la batería o la herramienta al fuego o a temperaturas excesivas.** La exposición al fuego o a una temperatura superior a 130 °C puede causar una explosión.
- g. Siga las instrucciones de carga y no cargue la batería o la herramienta fuera del intervalo de temperatura especificado en las instrucciones.** La carga incorrecta o fuera del rango de temperatura especificado puede dañar la batería y aumentar el riesgo de incendio.

**6. Reparaciones**

- a. Haga reparar su herramienta eléctrica solo por personal técnico autorizado que emplee exclusivamente piezas de repuesto originales.** Así se asegurará que se mantenga la seguridad de la herramienta eléctrica.
- b. Nunca repare la batería si está dañada.** La reparación de la batería puede ser efectuada únicamente por el fabricante o por los proveedores de servicio autorizados.

**Advertencias de seguridad adicionales para herramientas eléctricas**



**Advertencia.** Advertencias de seguridad adicionales para taladros

- Sujete la herramienta eléctrica por las superficies de agarre aisladas cuando realice una operación en la que el accesorio de corte pueda entrar en contacto con cables

ocultos. Un accesorio de corte que entre en contacto con un cable "con corriente" puede hacer que las partes metálicas expuestas de la herramienta eléctrica estén "con corriente" y podría provocar una descarga eléctrica al operador.

- Use protectores auditivos con perforaciones de impacto. La exposición al ruido puede causar pérdida de audición.
- Use abrazaderas u otra forma práctica de asegurar y sostener la pieza de trabajo en una plataforma estable. Sostener el trabajo con la mano o contra su cuerpo lo deja inestable y puede provocar la pérdida de control.
- Antes de colocar sujetadores en paredes, pisos o techos, verifique la ubicación del cableado y las tuberías.
- El uso previsto se describe en este manual de instrucciones.
- El uso de cualquier accesorio o complemento o la realización de cualquier operación con esta herramienta que no sean los recomendados en este manual de instrucciones puede presentar un riesgo de lesiones personales y/o daños a la propiedad.

### Indicaciones de seguridad para el uso de brocas largas

- Nunca utilice una velocidad superior a la velocidad nominal máxima indicada para la broca. A velocidades más altas, la broca podría doblarse si se la deja girar libremente sin entrar en contacto con la pieza de trabajo, y podría ocasionar lesiones personales.
- Empezar a taladrar siempre a baja velocidad y poniendo la punta de la broca en contacto con la pieza de trabajo. A velocidades más altas, la broca podría doblarse si se la deja girar libremente sin entrar en contacto con la pieza de trabajo, y podría ocasionar lesiones personales.
- Aplique una presión no demasiado excesiva y solo en línea directa con la broca. Las puntas pueden doblarse causando rotura o pérdida de control y lesiones personales.

### Seguridad de terceros

- Las personas (incluidos niños) con capacidades físicas, sensoriales o mentales disminuidas o que carezcan de experiencia y conocimientos no deben utilizar esta herramienta, salvo que hayan recibido supervisión o formación con respecto al uso del aparato por parte de una persona responsable de su seguridad.
- Los niños deberán permanecer vigilados para asegurarse de que no jueguen con el aparato.

### Riesgos residuales

El uso de esta herramienta puede producir riesgos residuales adicionales no incluidos en las advertencias de seguridad adjuntas. Estos riesgos se pueden generar por un uso incorrecto, demasiado prolongado, etc.

El cumplimiento de las normas de seguridad correspondientes y el uso de dispositivos de seguridad no evitan ciertos riesgos residuales. Esto incluye:

- Lesiones producidas por el contacto con piezas móviles o giratorias.
- Lesiones producidas al cambiar cualquier pieza, cuchilla o accesorio.
- Lesiones producidas al usar una herramienta por un tiempo demasiado prolongado. Si utiliza una herramienta durante períodos de tiempo demasiado prolongados, asegúrese de realizar pausas con frecuencia.
- Deterioro auditivo.
- Riesgos para la salud producidos al respirar el polvo que se genera cuando se utiliza la herramienta (ejemplo: en los trabajos con madera, especialmente si son de roble, haya y tableros de densidad mediana).

### Vibración

Los valores de emisión de vibraciones declarados en el apartado de características técnicas y en la declaración de conformidad se han calculado según un método de prueba estándar proporcionado por la norma EN 62841 y podrán utilizarse para comparar una herramienta con otra. El valor de emisión de vibraciones especificado también puede utilizarse en una evaluación preliminar de la exposición.

**Advertencia.** El valor de emisión de vibraciones durante el funcionamiento real de la herramienta eléctrica puede diferir del valor declarado en función de cómo se utilice dicha herramienta. El nivel de las vibraciones puede aumentar por encima del nivel declarado.

Al evaluar la exposición a las vibraciones con el fin de determinar las medidas de seguridad que exige la norma 2002/44/CE para proteger a las personas que utilizan periódicamente herramientas eléctricas en el entorno laboral, deberá tenerse en cuenta una estimación de la exposición a las vibraciones, las condiciones de uso reales y el modo de empleo de la herramienta, así como los pasos del ciclo operativo como, por ejemplo, el número de veces que la herramienta se apaga, el tiempo que está parada y el tiempo de activación.

### Etiquetas en la herramienta

Junto con el código de la fecha, en la herramienta aparecen los siguientes símbolos



**Advertencia.** Para reducir el riesgo de lesiones, el usuario debe leer el manual de instrucciones.



No mire fijamente la lámpara de operación

## Instrucciones de seguridad adicionales parabaterías y cargadores (No suministrados con la herramienta)

### Baterías

- Jamás trate de abrir las baterías por ningún motivo.
- No exponga la batería al agua.
- No guarde la batería en lugares en los que la temperatura pueda superar los 40 °C.
- Realice la carga únicamente a una temperatura ambiente de entre 10 °C y 40 °C.
- Utilice únicamente el cargador suministrado con la herramienta para realizar la carga.
- Para desechar las baterías, siga las instrucciones facilitadas en la sección "Protección del medioambiente".



No intente cargar baterías dañadas.

### Cargadores

- Debe utilizar solo el cargador BLACK+DECKER para cargar la batería en la herramienta con la que se suministró. Otras baterías pueden explotar y provocar lesiones y daños materiales.
- Nunca intente cargar baterías no recargables.
- Sustituya los cables defectuosos inmediatamente.
- No exponga el cargador al agua.
- No abra el cargador.
- No aplique ningún dispositivo para medir la resistencia del cargador.



Este adaptador está pensado únicamente para utilizarse en un lugar interior.



Lea el manual de instrucciones antes de usar el producto.

### Seguridad eléctrica



El cargador presenta un aislamiento doble; por lo tanto, no se requiere conexión a tierra. Cada vez que utilice el aparato, debe comprobar que el voltaje de la red eléctrica corresponda al valor indicado en la placa de características. No intente sustituir el cargador por un enchufe convencional para la red eléctrica.

- Si se daña el cable de alimentación, el fabricante o un centro de servicio técnico autorizado de BLACK+DECKER deberán sustituirlo para evitar riesgos.

### Características

Esta herramienta incluye parte o la totalidad de estas características.

1. Interruptor de velocidad variable
2. Control deslizante de avance/retroceso
3. Collar de ajuste de par
4. Mandril sin llave
5. Engranaje de doble rango

6. Luz de trabajo LED
7. Batería
8. Botón de liberación de la batería
9. Soporte de broca destornillador

## Ensamblaje

### Uso

**Advertencia.** Deje que la herramienta funcione a su ritmo. No la sobrecargue.

### Carga de la batería (Fig. A)

Es necesario cargar la batería antes del primer uso y cada vez que note que no dispone de suficiente potencia para tareas que antes realizaba con facilidad. Es posible que la batería se caliente durante la carga; esto es normal y no denota ningún problema.

**Advertencia.** No cargue la batería si la temperatura ambiente es inferior a 10 °C o superior a 40 °C. La temperatura de carga recomendada es de aproximadamente 24 °C.

**Nota: El cargador no cargará la batería si la temperatura de esta es inferior a 10 °C o superior a 40 °C aproximadamente.**

**Deje la batería en el cargador y este empezará a cargarla automáticamente cuando la temperatura de la batería aumente o disminuya. Enchufe el cargador en cualquier toma de corriente estándar de 230 voltios, 50 Hz.**

- Introduzca el paquete de baterías en el cargador como se muestra en la Fig. A.
- El LED indicador de carga verde parpadeará, lo cual indica que se está cargando la batería.
- Se indicará que la carga ha terminado porque la luz LED verde permanecerá encendida de manera continua. La batería estará cargada y podrá usarse, o dejarla en el cargador.

**Advertencia.** Peligro de incendio. Cuando desconecte el cargador de la herramienta, asegúrese de haber desenchufado antes el cargador de la toma de corriente, después desenchufe el cable del cargador de la herramienta.

### Instalación y extracción del paquete de baterías de la herramienta (Fig. B)

**Advertencia.** Asegúrese de que el botón de desbloqueo esté bloqueado para evitar que se active el interruptor antes de sacar o colocar la batería.

### Colocación del paquete de baterías:

- Inserte el paquete de baterías en la herramienta, hasta que oiga un clic (Fig. B)

### Extracción del paquete de baterías de la herramienta (Fig. C)

- Presione el botón de liberación de la batería, tal como se muestra (Fig. C), y extraiga la batería de la herramienta.

## Instrucciones de funcionamiento

### Interruptor de disparo y botón de retroceso

- El taladro se enciende y se apaga apretando y soltando el interruptor de disparo (1). Cuanto más se aprieta el disparador, mayor es la velocidad del taladro.
- Un botón de control de avance/retroceso (2) determina la dirección de la herramienta, a la vez que se utiliza como botón de desbloqueo.
- Para seleccionar el giro hacia delante, libere el interruptor de disparo y apriete el botón de control de avance/retroceso hacia la izquierda.
- Para seleccionar la dirección inversa, apriete el botón de control de avance/retroceso en el sentido contrario.

**Nota:** La posición central del botón de control bloquea la herramienta en posición de apagado. Cuando cambie la posición del botón de control, compruebe que ha soltado el interruptor.

### Control de par de apriete (Fig. D)

Esta herramienta dispone de un collar de ajuste de par (3) para seleccionar el modo de funcionamiento y ajustar el par de apriete de los tornillos. Los tornillos largos y las piezas de trabajo de materiales duros requieren un ajuste de torsión mayor que los tornillos pequeños y las piezas de trabajo de materiales blandos.

- Para taladrar madera, metal y plásticos, ajuste el collar en el símbolo de posición de taladrado.
- Para atornillar, fije el collar en el ajuste deseado. Si no conoce el ajuste adecuado, haga lo siguiente:
- Ajuste el collar en el par de apriete más bajo.
- Apriete el primer tornillo.
- Si la herramienta se detiene antes de obtener el resultado deseado, aumente el ajuste del collar y continúe atornillando. Repita la operación hasta obtener el ajuste correcto. Utilice este ajuste para los tornillos restantes.

### Portabrocas sin llave (Fig. E)

**Advertencia.** Asegúrese de que el botón de desbloqueo está bloqueado, para evitar que se active el interruptor, antes de sacar o colocar accesorios.

Para insertar una broca u otro accesorio:

- Sujete la mitad posterior del portabrocas (4) con una mano y con la otra gire la mitad delantera en sentido contrario a las agujas del reloj, visto desde el final del portabrocas.
- Introduzca la broca u otro accesorio completamente en el portabrocas y apriételo bien sujetando la parte posterior del portabrocas y girando en dirección antihoraria, visto desde el final del portabrocas.

**Advertencia.** No intente fijar las brocas ni otros accesorios agarrando el portabrocas por la parte delantera y encendiendo la herramienta. Al cambiar los accesorios se puede dañar el mandril y se pueden producir lesiones personales.

### Engranaje de doble rango (Fig. F)

La función de doble serie de su taladro le permite aumentar las velocidades para gozar de una mayor versatilidad. Para seleccionar la velocidad baja y el ajuste de par alto (posición 1), apague la herramienta y espere a que se detenga. Deslice el botón de cambio de marcha (5) alejándolo del mandril. Para seleccionar la velocidad alta y el ajuste de par bajo (posición 2), apague la herramienta y espere a que se detenga. Vuelva a deslizar el botón de cambio de marcha hacia el mandril.

**Nota:** No cambie las velocidades cuando la herramienta esté funcionando. Si tiene algún problema al cambiar las velocidades, compruebe que la palanca de engranajes de doble serie esté completamente colocada hacia delante o hacia atrás.

### Perforación/atornillado

- Seleccione la rotación hacia delante o hacia atrás con el control deslizante de avance/retroceso (2).
- Para encender la herramienta, pulse el interruptor (1). La velocidad de la herramienta depende de la presión que se aplique al interruptor.
- Para apagar la herramienta, suelte el interruptor.

### Consejos por un uso óptimo

#### Taladrado

- Utilice exclusivamente broca afiladas.
- Apoye y fije correctamente el trabajo, como se indica en las instrucciones de seguridad.
- Utilice el equipo de seguridad requerido apropiado, como se indica en las instrucciones de seguridad.
- Cuide y mantenga el lugar de trabajo como se indica en las instrucciones de seguridad.
- Realice el taladrado muy lentamente, ejerciendo una ligera presión, hasta que el agujero sea suficientemente grande para que la broca no resbale.
- Aplique una presión en línea recta sobre la broca. Presione lo suficiente para que la broca continúe perforando, pero no demasiado para evitar que el motor se paralice o que la broca se desvie.
- Mantenga firmemente el taladro con las dos manos para controlar el movimiento de giro.
- NO PULSE EL DISPARADOR DE ENCENDIDO Y APAGADO DE UN TALADRO PARADO CON LA INTENCIÓN DE ACCIONARLO. PODRÍAN PRODUCIRSE DAÑOS EN EL TALADRO.
- Para reducir al mínimo las paradas durante el avance rápido, disminuya la presión y taladre lentamente la última parte del orificio.
- Mantenga el motor en funcionamiento mientras extrae la broca del orificio. De este modo, evitará que se produzcan atascos.
- Compruebe que el interruptor encienda y apague el taladro.

### Perforar madera

Los orificios en la madera pueden realizarse con las mismas brocas helicoidales utilizadas para el metal o con brocas de

pala. Las brocas deben estar afiladas y es necesario extraerlas frecuentemente cuando se realizan las perforaciones con el fin de eliminar las astillas de las ranuras del taladro.

### Perforar metal

Utilice un lubricante de corte cuando perfore metales. Las excepciones son el latón y la fundición, que deberán perforarse en seco. Los lubricantes de corte que funcionan mejor son el aceite de corte sulfurizado y el aceite de manteca de cerdo.

### Perforar en mampostería

Para perforar mampostería, ajuste el collar (3) en la posición de martillo de perforación alineando el símbolo con la marca. Mueva el selector de velocidad (5) hacia la parte frontal de la herramienta (2.ª marcha).

### Atornillado

- Utilice siempre el tipo y tamaño adecuados de puntas de atornillar.
- Si tiene dificultad para apretar los tornillos, inténtelo aplicando una pequeña cantidad de líquido de limpieza o jabón como lubricante.
- Sujete siempre la herramienta y la punta del destornillador en línea recta con el tornillo

### Resolución de problemas

Problema	Causa posible	Posible solución
La unidad no arranca.	El paquete de baterías no está cargado.	Compruebe los requisitos de carga de la batería.
La batería no se carga.	El cargador no está enchufado.	Enchufe el cargador en una toma de corriente que funcione.
	La temperatura del aire circundante es demasiado caliente o demasiado fría.	Desplace el cargador y la batería a un lugar con temperatura ambiente superior a 40 °F (4.5 °C) o inferior a 105 °F (+40.5 °C)
La unidad se apaga repentinamente.	El paquete de baterías ha llegado a su máximo límite térmico.	Deje que el paquete de baterías se enfríe.
	Descargada. (Para maximizar la vida útil del paquete de baterías, este ha sido diseñado para interrumpirse repentinamente cuando se agota la carga)	Coloque en el cargador y déjelo cargar.

### Mantenimiento

La herramienta BLACK+DECKER se ha diseñada para funcionar durante un largo período de tiempo con un mínimo de mantenimiento. El funcionamiento satisfactorio y continuo depende del buen cuidado de la herramienta y de una limpieza frecuente.

El cargador no requiere ningún mantenimiento especial excepto la limpieza periódica.

**Advertencia.** Antes de realizar alguna operación de mantenimiento en la herramienta, extraiga la batería. Desenchufe el cargador antes de limpiarlo.

- Limpie de forma periódica las ranuras de ventilación de la herramienta y el cargador con un cepillo blando o un paño seco.
- Limpie periódicamente la carcasa del motor con un paño húmedo.
- No utilice limpiadores de base abrasiva ni disolventes.
- Abra regularmente el portabrocas y golpéelo suavemente para eliminar los restos de polvo que contenga en su interior.

### Protección del medioambiente



Recogida selectiva. Los productos y las baterías marcadas con este símbolo no se deben eliminar con los residuos domésticos normales.

Los productos y las baterías que contienen materiales que se puedan recuperar o reciclar reducen la demanda de materias primas. Recicle los productos eléctricos y las baterías de conformidad con la normativa local. Puede obtener más información en [www.2helpU.com](http://www.2helpU.com).

### Datos técnicos

		BDCHD18		
Tensión	$V_{CC}$			18
Velocidad en vacío	Min. <sup>-1</sup>			0-400 / 0-1500
Par de torsión máximo	Nm			17,5/40
Capacidad del mandril	mm			1-10
<b>Capacidad máxima de perforación</b>				
Acero/Madera/Mampostería	mm			10/25/10
Peso	kg			0,90 (con batería 1,30)

Cargador	S010***400040 SSC-250040**	S018***800100 SSC-200100**	90599854**	BDC2A 90606845
Voltaje de entrada	$V_{CA}$ 100 - 240	220 - 240	230	230
Voltaje de salida	$V_{CC}$ 8 - 20	8 - 20	18	18
Corriente	mA 400	1000	1000	2000
Tiempo de carga aproximado	Horas 4 - 10	1,5 - 4	1,5 - 4	0,75 - 2

Batería	BL1518	BL2018	BL2518	BL4018
Tensión	$V_{CC}$ 18	18	18	18
Capacidad	Ah 1,5	2,0	2,5	4,0
Tipo	Litio-ión	Litio-ión	Litio-ión	Litio-ión

Nivel de presión acústica de acuerdo con la norma EN 62841:	
Presión acústica ( $L_{pA}$ )	88 dB(A), incertidumbre (K) 5 dB(A)
Potencia acústica ( $L_{WA}$ )	99 dB(A), incertidumbre (K) 5 dB(A)



Valores totales de vibración (suma vectorial triaxial) de acuerdo con la directiva EN 62841:

Perforación de hormigón con impacto ( $a_{h,D}$ ) 13,4 m/s<sup>2</sup>, incertidumbre (K) 1,5 m/s<sup>2</sup>

Perforación de metal ( $a_{h,D}$ ) <2,8 m/s<sup>2</sup>, incertidumbre (K) 1,5 m/s<sup>2</sup>

## Declaración de conformidad CE

DIRECTIVA DE MÁQUINAS



Taladro/destornillador BDCHD18

Black & Decker declara que los productos descritos en el apartado "Datos técnicos" son conformes a las normas siguientes:

2006/42/CE, EN62841-1:2015, EN62841-2-1:2018+A11:2019. Estos productos también cumplen con las Directivas 2014/30/UE y 2011/65/UE. Para más información, póngase en contacto con Black & Decker en la siguiente dirección o consulte la parte posterior del manual.

El que suscribe es responsable de la compilación del archivo técnico y realiza esta declaración en nombre de Black & Decker.

*Patrick Diepenbach*

Patrick Diepenbach  
Director General, Benelux  
Black & Decker,  
Egide Walschaertsstraat 14 -18  
2800 Malinas, Bélgica  
10/08/2021

## Garantía

Black & Decker confía en la calidad de sus productos y ofrece a los consumidores una garantía de 24 meses a partir de la fecha de compra. Esta garantía es adicional a sus derechos legales y no los menoscaba en modo alguno. La garantía es válida dentro de los territorios de los Estados Miembros de la Unión Europea, el Área de Libre Comercio Europea y el Reino Unido. Para reclamar la garantía, deberá formular la reclamación de conformidad con las condiciones generales de Black & Decker, presentando el comprobante de compra al vendedor o al agente técnico autorizado.

Puede obtener las condiciones de la garantía de 2 años de Black & Decker y la ubicación de su agente técnico autorizado más próximo en el sitio web [www.2helpU.com](http://www.2helpU.com). o poniéndose en contacto con su oficina local de Black & Decker en la dirección que se indica en este manual.

Visite nuestro sitio web [www.blackanddecker.co.uk](http://www.blackanddecker.co.uk) para registrar su nuevo producto Black & Decker y recibir noticias sobre nuevos productos y ofertas especiales.

## Utilização pretendida

O seu berbequim BLACK+DECKER BDCHD18 foi concebido para aparafusar e para perfurar madeira, metal e pedra. Esta ferramenta destina-se apenas a utilização doméstica.

## Instruções de segurança

### Avisos de segurança gerais para ferramentas eléctricas



**Atenção! Leia todos os avisos de segurança, instruções, ilustrações e especificações fornecidas com esta ferramenta eléctrica.** O não cumprimento de todas as instruções indicadas abaixo pode resultar em choque eléctrico, incêndio e/ou ferimentos graves.

### Guarde todos os avisos e instruções para futura referência.

A expressão "ferramenta eléctrica" indicada em todos os avisos refere-se a ferramentas eléctricas com ligação à corrente eléctrica (com fio) ou com bateria (sem fios).

#### 1. Segurança na área de trabalho

- Mantenha a área de trabalho limpa e bem iluminada.** As áreas desorganizadas ou escuras são pensadas a acidentes.
- Não trabalhe com ferramentas eléctricas em áreas com risco de explosão, nas quais se encontrem líquidos, gases ou poeiras inflamáveis.** As ferramentas eléctricas criam faíscas que podem inflamar estas poeiras ou vapores.
- Mantenha crianças e outras pessoas afastadas durante a utilização da ferramenta eléctrica.** As distrações podem levar à perda do controlo da ferramenta.

#### 2. Segurança eléctrica

- A ficha da ferramenta eléctrica deve caber na tomada. Nunca modifique a ficha de forma alguma. Não utilize fichas adaptadoras com ferramentas eléctricas ligadas à terra.** As fichas não modificadas e as tomadas compatíveis reduzem o risco de choque eléctrico.
- Evite que o corpo entre em contacto com superfícies ligadas à terra, como tubos, radiadores, fogões e frigoríficos.** Se o seu corpo estiver "ligado" à terra, o risco de choque eléctrico é maior.
- As ferramentas eléctricas não podem ser expostas à chuva ou à humidade.** A entrada de água numa ferramenta eléctrica aumenta o risco de choque eléctrico.
- Manuseie o cabo com cuidado. Nunca o utilize para transportar, puxar ou desligar a ferramenta eléctrica. Mantenha o cabo afastado de fontes de calor, substâncias oleosas, arestas afiadas ou peças móveis.** Os cabos danificados ou emaranhados aumentam o risco de choque eléctrico.
- Quando trabalhar com uma ferramenta eléctrica ao ar livre, utilize um cabo de extensão apropriado para esse fim.** A utilização de um cabo adequado para uso ao ar livre reduz o risco de choque eléctrico.



- f. **Se for inevitável trabalhar com uma ferramenta eléctrica num local húmido, utilize um dispositivo de corrente residual (DCR).** A utilização de um DCR reduz o risco de choque eléctrico.
3. **Segurança pessoal**
- a. **Esteja sempre atento, preste atenção ao que está a fazer e seja prudente quando trabalhar com uma ferramenta eléctrica.** Não utilize uma ferramenta eléctrica quando estiver cansado ou sob o efeito de drogas, álcool ou medicamentos. Um momento de distração durante a utilização de ferramentas eléctricas pode resultar em ferimentos graves.
- b. **Use equipamento de protecção pessoal. Use sempre protecção ocular.** O equipamento de protecção, como, por exemplo, uma máscara contra o pó, sapatos de segurança antiderrapantes, um capacete de segurança ou uma protecção auditiva, utilizado nas condições adequadas, reduz o risco de ferimentos.
- c. **Evite arranques involuntários. Certifique-se de que o gatilho está desligado antes de ligar a ferramenta à corrente eléctrica e/ou as baterias, e antes de levantar ou transportar a ferramenta.** Se mantiver o dedo sobre o gatilho ao transportar ferramentas eléctricas ou se as ligar à fonte de alimentação com o interruptor ligado, pode dar origem a acidentes.
- d. **Retire qualquer chave de ajuste ou chave de porcas antes de ligar a ferramenta eléctrica.** Uma chave de fendas ou de ajuste fixada numa peça rotativa da ferramenta eléctrica pode causar ferimentos.
- e. **Não se estique demasiado ao trabalhar com a ferramenta.** Mantenha sempre os pés bem apoiados e um equilíbrio apropriado. Desta forma, será mais fácil controlar a ferramenta eléctrica em situações inesperadas.
- f. **Use vestuário adequado. Não use roupa larga ou joias.** Mantenha o cabelo, a roupa e as luvas afastados das peças móveis. As roupas largas, jóias ou o cabelo comprido podem ficar presos nestas peças.
- g. **Se for prevista a montagem de dispositivos de extracção e recolha de pó, assegure-se de que estão ligados e que são utilizados de forma correcta.** A utilização de dispositivos de extracção de partículas pode reduzir os riscos relacionados com as mesmas.
- h. **Não permita que o facto de estar familiarizado com a utilização frequente das ferramentas o torne complacente e ignore os princípios de segurança da ferramenta.** Uma acção irreflectida pode causar ferimentos graves numa fracção de segundos.
4. **Utilização e manutenção da ferramenta eléctrica**
- a. **Não sobrecarregue a ferramenta eléctrica.** Utilize a ferramenta eléctrica correcta para o seu trabalho. A ferramenta eléctrica adequada irá efectuar o trabalho de um modo mais eficiente e seguro se for utilizada de acordo com a capacidade para a qual foi concebida.
- b. **Não utilize a ferramenta eléctrica se o interruptor não puder ser ligado nem desligado.** Qualquer ferramenta eléctrica que não possa ser controlada através do gatilho é perigosa e tem de ser reparada.
- c. **Retire a ficha da tomada de electricidade e/ou a bateria da ferramenta eléctrica, caso seja possível fazê-lo, da ferramenta eléctrica antes de efectuar quaisquer ajustes,** substituir acessórios ou guardar a ferramenta. Estas medidas de segurança preventivas reduzem o risco de ligar a ferramenta eléctrica acidentalmente.
- d. **Mantenha as ferramentas eléctricas que não estiverem a ser utilizadas fora do alcance de crianças.** Não permita que a ferramenta eléctrica seja utilizada por pessoas não familiarizadas com a mesma ou que não tenham lido estas instruções. As ferramentas eléctricas são perigosas nas mãos de pessoas que não possuam as qualificações necessárias para as manusear.
- e. **Proceda à manutenção das ferramentas eléctricas e acessórios.** Verifique se as partes móveis estão desalinhas ou bloqueadas, se existem peças partidas ou qualquer outra situação que possa afetar o funcionamento das ferramentas eléctricas. Se a ferramenta eléctrica estiver danificada, esta não deve ser utilizada até que seja reparada. Muitos acidentes são causados por ferramentas eléctricas com uma manutenção insuficiente.
- f. **Mantenha as ferramentas de corte sempre afiadas e limpas.** As ferramentas de corte sujeitas a uma manutenção adequada, com arestas de corte afiadas, bloqueiam com menos frequência e controlam-se com maior facilidade.
- g. **Utilize a ferramenta eléctrica, acessórios e peças de ferramenta de acordo com estas instruções, considerando as condições de trabalho e o tarefa a ser executada.** A utilização da ferramenta eléctrica para fins diferentes dos previstos pode resultar em situações perigosas.
- h. **Mantenha os cabos e as superfícies de fixação secas, limpas e sem qualquer óleo ou gordura.** Se o cabo estiver escorregadio e as superfícies de fixação tiverem gordura, isso não permite um manuseamento e controlo seguros da ferramenta em situações inesperadas.
5. **Utilização e cuidados a ter com a ferramenta com bateri**
- a. **Recarregue apenas com o carregador especificado pelo fabricante.** Um carregador adequado para um tipo de bateria pode causar um incêndio se for utilizado com outra bateria.
- b. **Utilize ferramentas eléctricas apenas com baterias específicas.** A utilização de outras baterias pode causar ferimentos e incêndio.

- c. **Quando uma bateria não estiver a ser utilizada, mantenha-a afastada de outros objectos metálicos como, por exemplo, cliques, moedas, chaves, pregos, parafusos ou outros pequenos objectos metálicos que possam fazer ligação de um terminal a outro.** O curto-circuito de terminais da bateria pode causar queimaduras ou incêndio.
- d. **Em condições abusivas, pode derramar líquido da bateria, devendo evitar o contacto. Se tocar acidentalmente no líquido, lave bem com água. Se o líquido entrar em contacto com os olhos, consulte um médico.** O líquido derramado da bateria pode causar irritação ou queimaduras.
- e. **Não utilize uma bateria ou uma ferramenta que esteja danificada ou modificada.** As baterias danificadas ou modificadas podem ter um comportamento imprevisível, podendo causar incêndio, explosão ou risco de ferimentos.
- f. **Não exponha a bateria ou a ferramenta ao fogo ou a excesso de temperatura.** A exposição ou uma temperatura superior a 130 °C pode dar origem a uma explosão.
- g. **Siga todas as instruções de carregamento e não carregue a bateria ou a ferramenta fora da gama de temperaturas especificadas nas instruções.** Se o carregamento não for efectuado correctamente ou se a temperatura não estiverem de acordo com o limite especificado, a bateria pode ficar danificada e há um maior risco de incêndio.
6. **Assistência**
- a. **A ferramenta eléctrica deverá ser reparada por técnicos qualificados que utilizem apenas peças de substituição iguais.** Desta forma, é garantida a segurança da ferramenta eléctrica.
- b. **Nunca repare baterias danificadas. A reparação das baterias só deve ser efectuada pelo fabricante ou por fornecedor de serviços autorizado.**

### Avisos de segurança adicionais para ferramentas eléctricas



**Atenção!** Avisos de segurança adicionais para berbequins

- Segure a ferramenta eléctrica pelas superfícies isoladas ao realizar uma operação em que o acessório de corte possa entrar em contacto com a fiação oculta. O contacto do acessório de corte com um fio "energizado" pode tornar as partes metálicas expostas da ferramenta eléctrica "energizadas" e causar um choque eléctrico no operador.
- Use protetores auriculares com perfuração de impacto. A exposição ao ruído pode causar perda auditiva.
- Use braçadeiras ou outra forma prática de prender e apoiar a peça de trabalho em uma plataforma estável.

Segurar o trabalho com as mãos ou contra o corpo deixa-o instável e pode levar à perda de controlo.

- Antes de colocar fixadores em paredes, pisos ou tetos, verifique a localização da fiação e dos tubos.
- O uso pretendido é descrito neste manual de instruções.
- O uso de qualquer acessório ou anexo ou a execução de qualquer operação com esta ferramenta diferente das recomendadas neste manual de instruções pode apresentar risco de ferimentos pessoais e/ou danos à propriedade.

### Instruções de segurança quando utilizar brocas compridas

- Nunca utilize a ferramenta a uma velocidade mais elevada do que a velocidade nominal máxima da broca. As velocidades mais elevadas, a broca pode ficar dobrada se rodar livremente sem tocar na peça, podendo causar ferimentos.
- Inicie sempre a perfuração a uma velocidade reduzida e com a ponta da broca em contacto com a peça. A velocidades mais elevadas, a broca pode ficar dobrada se rodar livremente sem tocar na peça, podendo causar ferimentos.
- Aplique pressão apenas em linha recta com a broca e não aplique pressão excessiva. As brocas podem ficar dobradas e causar rutura ou perda de controlo, bem como ferimentos.

### Segurança de terceiros

- Esta ferramenta não deve ser utilizada por pessoas (incluindo crianças) que apresentem capacidades físicas, sensoriais ou mentais reduzidas ou que não possuam os conhecimentos e a experiência necessários, excepto se forem vigiadas e instruídas acerca da utilização da ferramenta por uma pessoa responsável pela sua segurança.
- As crianças deverão ser vigiadas para que não mexam no aparelho.

### Riscos residuais

Podem surgir riscos residuais adicionais durante a utilização da ferramenta, que poderão não constar nos avisos de segurança incluídos. Estes riscos podem resultar de má utilização, uso prolongado, etc.

Mesmo com o cumprimento dos regulamentos de segurança relevantes e com a implementação de dispositivos de segurança, alguns riscos residuais não podem ser evitados. Estes incluem:

- Ferimentos causados pelo contacto com peças em rotação/movimento.
- Ferimentos causados durante a troca de peças, lâminas ou acessórios.
- Ferimentos causados pela utilização prolongada de

uma ferramenta. Quando utilizar uma ferramenta durante períodos prolongados, certifique-se de que faz pausas regularmente.

- Danos auditivos.
- Problemas de saúde causados pela inalação de poeiras resultantes da utilização da ferramenta (exemplo: trabalhos em madeira, especialmente carvalho, faia e MDF).

### Vibração

Os valores de emissão de vibração declarados na secção de dados técnicos e na declaração de conformidade foram medidos de acordo com o método de teste padrão fornecido pela EN 62841 e podem ser utilizados para comparar ferramentas. O valor de emissão de vibração declarado pode ainda ser utilizado numa avaliação preliminar de exposição.

**Atenção!** O valor de emissão de vibração durante a utilização real da ferramenta eléctrica pode ser diferente do valor declarado, dependendo da forma como a ferramenta é utilizada. O nível de vibração pode aumentar acima do nível indicado.

Quando avaliar a exposição da vibração para determinar as medidas de segurança exigidas pela Directiva 2002/44/CE para proteger pessoas que utilizem regularmente ferramentas eléctricas na sua actividade profissional, deve ser considerada uma estimativa de exposição de vibração, as condições reais de utilização e o modo de utilização da ferramenta, incluindo ainda todas as partes do ciclo de funcionamento, como os períodos de inactividade e espera da ferramenta, para além do tempo de funcionamento.

### Etiquetas colocadas na ferramenta

A ferramenta apresenta os seguintes símbolos de aviso juntamente com o código de data:



**Atenção!** Para reduzir o risco de ferimentos, o utilizador deve ler o manual de instruções.



Não olhe fixamente para a lâmpada de operação

### Instruções de segurança adicionais para baterias e carregadores (não fornecidos com a ferramenta)

#### Baterias

- Nunca tente abrir a bateria, seja qual for o motivo.
- Não exponha a bateria à água.
- Não armazene em locais onde a temperatura possa exceder os 40 °C.
- Carregue apenas a temperaturas ambiente entre 10 °C e 40 °C.
- Carregue apenas com o carregador fornecido com a ferramenta.

- Quando eliminar as baterias, siga as instruções da secção "Protecção do ambiente".



Não tente carregar baterias danificadas.

#### Carregadores

- Utilize o seu carregador BLACK+DECKER apenas para carregar a bateria da ferramenta com que foi fornecido. Outras baterias podem rebentar, provocando ferimentos e danos.
- Nunca tente carregar baterias não recarregáveis.
- Substitua os cabos defeituosos imediatamente.
- Não exponha o carregador à água.
- Não abra o carregador.
- Não abra o carregador.



O carregador deverá ser utilizado apenas em espaços interiores.



Antes da utilização, leia o manual de instruções.

#### Segurança eléctrica



O seu carregador tem isolamento duplo. Por esse motivo, não precisa de ligação à terra. Verifique sempre se a tensão de alimentação corresponde à tensão indicada na placa de especificações. Nunca tente substituir a unidade do carregador por uma tomada de alimentação normal.

- Se o cabo de alimentação estiver danificado, terá de ser substituído pelo fabricante ou por um Centro de Assistência autorizado BLACK+DECKER, de modo a evitar lesões.

#### Componentes

Esta ferramenta inclui algumas ou todas as características seguintes.

1. Interruptor de velocidade variável
2. Correição de avanço/recuo
3. Anel de ajuste do binário
4. Mandril sem chave
5. Alavanca de dupla amplitude
6. Luz de trabalho LED
7. Bateria
8. Patilha de libertação das baterias
9. Suporte de pontas da aparafusadora

#### Montagem

#### Utilização

**Atenção!** Não altere o ritmo de funcionamento da ferramenta. Não sobrecarregue.

## Carregar a bateria (Fig. A)

A bateria precisa de ser carregada antes da primeira utilização e sempre que não conseguir produzir energia suficiente em trabalhos anteriormente feitos sem dificuldade. A bateria pode aquecer durante o carregamento. Isto é normal e não indica um problema.

**Atenção!** Não carregue a bateria a temperaturas ambiente inferiores a 10 °C ou superiores a 40 °C. Temperatura de carregamento recomendada: aproximadamente 24 °C.

**Nota: O carregador não irá carregar a bateria se a temperatura das células for inferior a 10 °C ou superior a 40 °C.**

**A bateria não deve ser retirada do carregador para que este comece a carregar automaticamente quando a temperatura das células aquecer ou arrefecer.**

- Ligue o carregador a qualquer tomada eléctrica padrão de 230 Volts, 50 Hz.
- Deslize a bateria no carregador, como indicado na Fig. A.
- O LED verde ficará a piscar, indicando que a bateria está a ser carregada.
- A conclusão do processo de carregamento é LED verde, que permanece ligado de maneira contínua. A bateria fica totalmente carregada e pode ser utilizada nesta altura ou pode deixá-la no carregador.

**Atenção!** Perigo de incêndio. Quando desligar o carregador da ferramenta, certifique-se de que o desliga primeiro da tomada e depois desligue o cabo do carregador da ferramenta.

## Inserir e retirar a bateria da ferramenta (Fig. B)

**Atenção!** Certifique-se de que o botão de desbloqueio está na posição correcta para impedir a activação acidental do interruptor de funcionamento, antes de retirar ou instalar a bateria.

Instalar a bateria:

- Insira a bateria no aparelho até ouvir um som de encaixe (Fig. B)

## Retirar a bateria da ferramenta (Fig. C)

- Prima o botão de libertação da bateria, como indicado em (Fig. C) e retire a bateria da ferramenta.

## Instruções de Funcionamento

### Botão de gatilho e recuo

- Para ligar e desligar o berbequim, carregue e liberte o botão de gatilho (1). Quanto mais premir o interruptor,
- maior será a velocidade do berbequim.
- O botão de controlo de avanço/recuo (2) determina a direcção da ferramenta e serve igualmente como botão de desbloqueio.
- Para seleccionar a rotação de avanço, solte o interruptor de gatilho e prima o botão de controlo de avanço/recuo para a esquerda.

- Para seleccionar a rotação de recuo, prima o botão de controlo de avanço/recuo na direcção contrária.

**Nota:** A posição central do botão de controlo bloqueia a ferramenta na posição Desligar. Se alterar a posição do botão de controlo, certifique-se de que liberta o interruptor.

## Controlo do binário (Fig. D)

Esta ferramenta é fornecida com um botão de ajuste de binário (3) para seleccionar o modo de funcionamento e definir o binário para apertar parafusos. Parafusos grandes e materiais duros requerem uma definição de binário mais elevada do que parafusos pequenos e materiais mais macios.

- Para perfurar madeira, metal e plásticos, coloque o botão na posição com o símbolo de perfuração
- Para apertar parafusos, coloque o botão na posição desejada. Se ainda não souber qual a posição apropriada, proceda da seguinte forma:
- Coloque o botão na posição de binário mínimo.
- Aperte o primeiro parafuso.
- Se o mecanismo forçar antes de atingir o resultado desejado, aumente a posição do botão e continue a apertar o parafuso. Repita até atingir a definição correcta. Utilize esta definição para os restantes parafusos.

## Mandril sem chave (Fig. E)

**Atenção!** Certifique-se de que o botão de desbloqueio está na posição correcta para impedir a activação acidental do interruptor de funcionamento, antes de instalar ou retirar os acessórios.

Para inserir uma broca ou outro acessório:

- Segure a parte posterior do mandril (4) com uma mão e utilize a outra mão para rodar a parte da frente no sentido contrário ao dos ponteiros do relógio, numa perspectiva da extremidade do mandril.
- Insira completamente a broca ou outro acessório no mandril e aperte firmemente, mantendo premida a metade traseira do mandril e rodando a parte dianteira na direcção dos ponteiros do relógio, da perspectiva da extremidade do mandril.

**Atenção!** Não tente apertar brocas (ou qualquer outro acessório) segurando a parte frontal do mandril e rodando a ferramenta. Pode danificar o mandril ou provocar ferimentos ao trocar acessórios.

## Alavanca de dupla amplitude (Figura F)

A função de duas velocidades do seu berbequim permite mudar de velocidade para uma maior versatilidade. Para seleccionar a velocidade baixa, definição de binário elevado (posição 1), desligue a ferramenta e permita que a mesma pare. Faça deslizar o botão de mudança de velocidade (5) no sentido oposto ao do mandril. Para seleccionar a velocidade alta, definição de binário baixo (posição 2), desligue a ferramenta e permita que a mesma pare.

Faça deslizar o botão de mudança de velocidade na direcção do mandril.

**Nota:** Não altere a velocidade quando a ferramenta estiver em funcionamento. Se tiver dificuldade em mudar de velocidade, certifique-se de que o botão de mudança de velocidade dupla está totalmente empurrado para a frente ou para trás.

### Perfurar/aparafusar

- Seleccione a rotação de avanço ou recuo utilizando a corrediça de avanço/recuo (2).
- Para ligar a ferramenta, prima o interruptor para ligar/desligar (1). A velocidade da ferramenta depende da intensidade da pressão no botão.
- Para desligar a ferramenta, solte o interruptor.

### Sugestões para uma utilização óptima

#### Perfuração

- Utilize apenas brocas afiadas.
- Apoie e fixe a peça correctamente, de acordo com as instruções de segurança.
- Utilize equipamento de segurança adequado e necessário, de acordo com as instruções de segurança.
- Apoie e fixe a área de trabalho, de acordo com as instruções de segurança.
- Coloque o berbequim a funcionar lentamente, até o furo ser iniciado o suficiente para impedir o desliz da broca.
- Aplique pressão em linha recta com a broca. Aplique pressão suficiente para manter a broca a perfurar e para não encravar o motor ou desviar a broca.
- Segure o berbequim com firmeza, com ambas as mãos, para controlar a sua acção de torção.
- **NÃO PRESSIONE O GATILHO DE UM BERBEQUIM EMPANCADO NUMA TENTATIVA DE O FAZER ARRANCAR. DAÍ PODEM RESULTAR DANOS NO BERBEQUIM.**
- Minimize o encravamento na abertura do orifício, reduzindo a pressão e perfurando devagar na última porção do orifício.
- Mantenha o motor em funcionamento enquanto puxa a broca para fora de um orifício efectuado. Isto ajudará a reduzir o encravamento.
- Certifique-se de que o interruptor liga e desliga o berbequim.

#### Perfurar madeira

Os orifícios na madeira podem ser efectuados com as mesmas brocas utilizadas para perfurar metal ou com brocas espada. Estas brocas deverão estar afiadas e devem ser retiradas do orifício frequentemente, quando em utilização para limpar lascas das ranhuras.

#### Perfurar em metal

Utilize um lubrificante de corte para perfuração de metais. As excepções incluem ferro fundido e latão, que devem ser perfurados a seco. Os lubrificantes de corte que obtêm melhores resultados são o óleo de corte sulfurado ou o óleo de banha.

#### Perfurar em pedra

Para perfurar em pedra, coloque o botão (3) na posição de perfuração com o martelo, alinhando o símbolo com a marca. Deslize o selector de velocidade (5) para a parte da frente da ferramenta (2ª posição).

#### Aparafusar

- Utilize sempre o tipo e tamanho correctos de brocas de aparafusadora.
- Se tiver dificuldade em apertar os parafusos, utilize um pouco de detergente ou sabão como lubrificante.
- Segure sempre a ferramenta e a ponta da aparafusadora em linha recta com o parafuso

### Resolução de problemas

Problema	Causa possível	Possível solução
A unidade não é iniciada.	A bateria não pode ser carregada.	Verifique os requisitos para carregar a bateria.
A bateria não irá ser carregada.	Carregador não ligado.  A temperatura de ar circundante é demasiado quente ou fria.	Ligue o carregador à tomada.  O carregador e a bateria devem estar a uma temperatura de ar circundante superior a 45 °C ou inferior a 40,5 °C.
A unidade desligou-se de maneira abrupta.	A bateria atingiu o limite térmico máximo.  Sem carga. (Para maximizar a duração da bateria, esta foi concebida para desligar-se de maneira abrupta quando a carga ficar esgotada)	Aguarde até a bateria arrefecer.  Instale o carregador e aguarde até o equipamento estar carregado.

#### Manutenção

A sua ferramenta BLACK+DECKER foi concebida para funcionar durante muito tempo com um mínimo de manutenção. Uma utilização continuamente satisfatória depende de uma manutenção apropriada da ferramenta e de uma limpeza regular. O seu carregador não necessita de manutenção para além da limpeza regular.

**Atenção!** Antes de ser realizada qualquer operação de manutenção na ferramenta, remova a bateria da ferramenta. Desligue o carregador antes de o limpar.

- Limpe regularmente as ranhuras de ventilação da ferramenta e do carregador utilizando uma escova suave ou um pano seco.

**Declaração de conformidade CE**

DIRECTIVA "MÁQUINAS"



BDCHD18 - Berbequim/Aparafusadora

A Black & Decker declara que os produtos descritos nos "dados técnicos" estão em conformidade com: 2006/42/CE, EN62841-1:2015, EN62841-2-1:2018+A11:2019.

Estes produtos estão também em conformidade com as Directivas 2014/30/UE e 2011/65/UE. Para mais informações, contacte a Black & Decker no endereço indicado em seguida ou consulte o verso do manual.

O abaixo assinado é responsável pela compilação do ficheiro técnico e faz esta declaração em nome da Black & Decker.

Patrick Diepenbach  
Director General, Benelux  
Black & Decker,  
Egide Walschaertsstraat 14 - 18  
2800 Malinas, Bélgica  
10/08/2021

**Garantia**

A Black & Decker confia na qualidade dos seus produtos e oferece aos clientes uma garantia de 24 meses a partir da data de compra. Esta garantia é um complemento dos seus direitos estabelecidos por lei, não os prejudicando de forma alguma. A garantia é válida nos territórios dos Estados-membros da União Europeia, da Zona Europeia de Comércio Livre e no Reino Unido.

Para accionar a garantia, esta deve estar em conformidade com os termos e condições da Black & Decker e tem de apresentar comprovativos de compra ao vendedor ou a um técnico de reparação autorizado.

Os termos e condições da garantia de 2 anos da Black & Decker e a localização do técnico de reparação autorizado mais próximo podem ser obtidos na Internet em **www.2helpu.com**, ou contactando uma filial da Black & Decker, cuja morada está indicada neste manual.

Visite o nosso Website **www.blackanddecker.co.uk** para registar o seu novo produto da Black & Decker e receber actualizações sobre novos produtos e ofertas especiais.

- Limpe regularmente o compartimento do motor com um pano húmido. Não utilize produtos de limpeza abrasivos ou à base de solventes.
- Abra o mandril regularmente e sacuda para remover qualquer vestígio de pó do seu interior.

**Protecção do ambiente**

Faça uma recolha de lixo seletiva. Os produtos e as baterias assinalados com este símbolo não devem ser eliminados juntamente com o lixo doméstico normal.

Os produtos e baterias contêm materiais que podem ser recuperados ou reciclados, reduzindo a necessidade de matérias-primas. Recicle os produtos eléctricos e as baterias de acordo com as disposições locais. Estão disponíveis mais informações em **www.2helpu.com**.

**Dados técnicos**

BDCHD18		
Tensão	V <sub>CC</sub>	18
Velocidade sem carga	Min. <sup>-1</sup>	0-400 / 0-1500
Binário máx.	Nm	17,5/40
Capacidade do mandril	mm	1-10
Capacidade máx. de perfuração		
Aço/Madeira/pedra	mm	10/25/10
Peso	kg	0,90 (1,30 com bateria)

Carregador	S010***400040 SSC-250040**	S018***800100 SSC-200100**	90599854**	BDC2A 90606845
Tensão de entrada	V <sub>CA</sub> 100 - 240	220 - 240	230	230
Voltagem de saída	V <sub>CC</sub> 8 - 20	8 - 20	18	18
Corrente	mA 400	1000	1000	2000
Tempo de carga aprox.	Ho-ras 4 - 10	1,5 - 4	1,5 - 4	0,75 - 2

Bateria	BL1518	BL2018	BL2518	BL4018
Tensão	V <sub>CC</sub> 18	18	18	18
Capacidade	Ah 1,5	2,0	2,5	4,0
Tipo	lões de lítio	lões de lítio	lões de lítio	lões de lítio

**Nível de pressão acústica de acordo com a norma EN 62841:**

Pressão acústica (L<sub>pA</sub>) 88 dB (A), imprecisão (K) 5 dB (A)

Potência acústica (L<sub>WA</sub>) 99 dB (A), imprecisão (K) 5 dB (A)

**Valores totais de vibração (soma vectores triax) de acordo com a EN 62841:**

Perfurar com percussão em betão (a<sub>h, D</sub>) 13,4 m/s<sup>2</sup>, imprecisão (K) 1,5 m/s<sup>2</sup>

Perfurar em metal (a<sub>h, D</sub>) <2,8 m/s<sup>2</sup>, imprecisão (K) 1,5 m/s<sup>2</sup>



## Avsedd användning

Din BLACK+DECKER BDCHD18 bormaskin är avsedd för skruvdragning och borrar i trä, metall och murverk. Detta verktyg är endast avsett för konsumentanvändning.

## Säkerhetsinstruktioner

### Allmänna säkerhetsanvisningar för elverktyg



**Varning! Läs alla säkerhetsvarningar och instruktioner.** Fel som uppstår till följd av att varningarna och instruktionerna som listas nedan inte följts kan orsaka elstötar, brand och/eller allvarliga kroppsskador.

**Spara alla säkerhetsföreskrifter och anvisningar för framtida bruk.** Begreppet "Elverktyg" i alla varningar som listas nedan avser nätdrivna elverktyg (med nätsladd) och batteridrivna elverktyg (sladdlösa).

#### 1. Säkerhet på arbetsområdet

- Se till att arbetsområdet är rent och väl belyst.** Stökiga eller mörka områden inbjuder till olyckor.
- Använd inte elverktyget i explosionsfarlig omgivning, t.ex. i närheten av brännbara vätskor, gaser eller damm.** Elektriska verktyg ge upphov till gnistor som kan antända dammet eller ångorna.
- Håll barn och andra obehöriga personer på avstånd vid arbete med elverktyget.** Distractioner kan göra att du förlorar kontrollen.

#### 2. Elsäkerhet

- Elverktygets stickkontakt måste passa i eluttaget.** Modifiera aldrig kontakten på något sätt. Använd inga adapterkontakter med jordanslutna (jordade) elektriska verktyg. Icke modifierade kontakter och passande uttag minskar risken för elektrisk stöt.
- Undvik kroppskontakt med jordade ytor, t.ex. rör, värmeelement, spisar och kylskåp.** Det finns en ökad risk för elektrisk stöt om din kropp är jordansluten eller jordad.
- Utsätt inte elverktyget för regn eller våta omgivningar.** Vatten som kommer in i ett elverktyg ökar risken för elektrisk stöt.
- Hantera nätsladden varsamt. Använd aldrig sladden för att bära, dra eller koppla bort elverktyget från uttaget.** Håll sladden borta från värme, olja, skarpa kanter eller rörliga delar. Skadade eller tillrasslade sladdar ökar risken för elektrisk stöt.
- Använd en förlängningssladd som lämpar sig för utomhusbruk när du arbetar med elverktyg utomhus.** Att använda en sladd som lämpar sig för utomhusanvändning minskar risken för elektrisk stöt.
- Om du måste använda ett elverktyg på en fuktig plats, bör du använda en strömförsörjning med jordfelsbrytare.** Att använda en jordfelsbrytare minskar risken för elektrisk stöt.

#### 3. Personlig säkerhet

- Var uppmärksam, se på vad du gör och använd sunt omdöme när du använder elverktyget. Använd inte ett elverktyg när du är trött eller påverkad av droger, alkohol eller mediciner.** Ett ögonblicks ouppmärksamhet när du arbetar med elektriska verktyg kan leda till allvarliga personsador.
- Använd personlig skyddsutrustning. Använd alltid skyddsglasögon.** Skyddsutrustning såsom dammfilterskydd, halksäkra säkerhetsskor, skyddshjälm eller hörselskydd som används för lämpliga förhållanden minskar personsador.
- Förhindra oavsiktlig start. Kontrollera att strömbrytaren står i avstängt läge innan du ansluter verktyget till elnätet eller sätter i batteriet, samt innan du tar upp eller bär verktyget.** Att bära elektriska verktyg med fingret på strömbrytaren eller att koppla strömmen till elektriska verktyg när strömbrytaren är på leder till olyckor.
- Ta bort alla inställningsverktyg och skruvnycklar innan du startar elverktyget.** Ett verktyg eller en nyckel som har lämnats kvar på en roterande del av det elektriska verktyget kan orsaka kroppsskador.
- Sträck dig inte för mycket. Ha ordentligt fötfaeste och balans hela tiden.** Detta möjliggör bättre kontroll av elverktyget i oväntade situationer.
- Bär lämpliga kläder. Bär inte lösa kläder eller smycken. Håll hår, beklädnad och handskar borta från delar i rörelse.** Lösa kläder, smycken eller långt hår kan fastna i rörliga delar.
- Om elverktyget har dammsugnings- och uppsamlingsutrustning, säkerställ att den är ansluten och används på korrekt sätt.** Användning av dammuppsamling kan minska dammrelaterade risker.

#### 4. Användning och skötsel av elverktyg

- Överbelasta inte elverktyget. Använd rätt elverktyg för ditt arbete.** Det korrekta elverktyget gör arbetet bättre och säkrare vid den hastighet för vilket det konstruerades.
- Använd inte elverktyget om det inte kan startas och stängas av med strömbrytaren.** Ett elverktyg som inte kan kontrolleras med strömbrytaren är farligt och måste repareras.
- Dra stickkontakten ur vägguttaget och/eller ta ut batteriet ur elverktyget innan inställningar görs, tillbehörsdelar byts ut eller elverktyget ställs undan.** Sådana förebyggande säkerhetsåtgärder minskar risken att oavsiktligt starta elverktyget.
- Förvara elverktyg utom räckhåll för barn och låt inte personer som är ovana vid elverktyget eller som inte läst denna bruksanvisning använda det.** Elektriska verktyg är farliga i händerna på ovana användare.
- Underhålla elverktyg. Kontrollera att rörliga komponenter fungerar felfritt och inte kärvar, att komponenter inte gått sönder eller skadats och inget annat föreligger som kan påverka elverktygets funktion. Om det är skadat, se till**



att elverktiget blir reparerat före användningen. Många olyckor orsakas av dåligt underhållna elektriska verktyg.

- f. **Håll kapverktyg vassa och rena.** Ordentligt underhållna kapverktyg med vassa skärytor fastnar inte så lätt och är lättare att kontrollera.
  - g. **Använd elverktyg, tillbehör, bits m.m. enligt dessa anvisningar, samtidigt som arbetsförhållandena och det arbete som ska utföras beaktas.** Att använda elverktiget för något annat än det som det är avsett för, kan leda till en riskfylld situation.
5. **Utilização e cuidados a ter com a ferramenta com bateria**
    - a. **Recarregue apenas com o carregador especificado pelo fabricante.** Um carregador adequado para um tipo de bateria pode causar um incêndio se for utilizado com outra bateria.
    - b. **Utilize ferramentas eléctricas apenas com baterias específicas.** A utilização de outras baterias pode causar ferimentos e incêndio.
    - c. **Quando uma bateria não estiver a ser utilizada, mantenha-a afastada de outros objectos metálicos como, por exemplo, cliques, moedas, chaves, pregos, parafusos ou outros pequenos objectos metálicos que possam fazer ligação de um terminal a outro.** O curto-circuito de terminais da bateria pode causar queimaduras ou incêndio.
    - d. **Em condições abusivas, pode derramar líquido da bateria, devendo evitar o contacto. Se tocar acidentalmente no líquido, lave bem com água. Se o líquido entrar em contacto com os olhos, consulte um médico.** O líquido derramado da bateria pode causar irritação ou queimaduras.
    - e. **Não utilize uma bateria ou uma ferramenta que esteja danificada ou modificada.** As baterias danificadas ou modificadas podem ter um comportamento imprevisível, podendo causar incêndio, explosão ou risco de ferimentos.
    - f. **Não exponha a bateria ou a ferramenta ao fogo ou a temperatura excessiva.** A exposição ou uma temperatura superior a 130 °C pode dar origem a uma explosão.
    - g. **Siga todas as instruções de carregamento e não carregue a bateria ou a ferramenta fora da gama de temperaturas especificadas nas instruções.** Se o carregamento não for efectuado correctamente ou se a temperaturas não estiverem de acordo com o limite especificado, a bateria pode ficar danificada e há um maior risco de incêndio.
  6. **Service**
    - a. **Låt en kvalificerad reparatör som bara använder originaldelar utföra service på elverktiget.** Detta säkerställer att elverktigets säkerhet bibehålls.
    - h. **Utför aldrig service på skadade batteripaket.** Service på batteripaket skall endast utföras av tillverkaren eller auktoriserad servicepersonal.

## Ytterligare säkerhetsanvisningar för elverktyg



**Varning!** Ytterligare säkerhetsanvisningar för bormaskiner

- Håll elverktiget i de isolerade greppytorna när du utför en operation där skärtilbehöret kan komma i kontakt med dolda ledningar. Skärtilbehör som kommer i kontakt med en "strömförande" ledning kan göra att exponerade metalldelar på elverktiget blir "strömförande" och kan ge operatören en elektrisk stöt.
- Använd hörselskydd vid slagbörning. Exponering för buller kan orsaka hörselnedsättning.
- Använd klämmor eller annat praktiskt sätt för att fästa och stödja arbetsstycket på en stabil plattform. Att hålla arbetet för hand eller mot kroppen gör det instabilt och kan leda till att du förlorar kontrollen.
- Innan du sätter in fästelement i väggar, golv eller tak, kontrollera att ledningar och rör är placerade.
- Avsedd användning beskrivs i denna bruksanvisning.
- Användning av något tillbehör eller tillbehör eller utförande av någon annan operation med detta verktyg än de som rekommenderas i denna bruksanvisning kan innebära en risk för personskador och/eller skador på egendom.

## Instruções de segurança quando utilizar brocas compridas

- Nunca utilize a ferramenta a uma velocidade mais elevada do que a velocidade nominal máxima da broca. A velocidades mais elevadas, a broca pode ficar dobrada se rodar livremente sem tocar na peça, podendo causar ferimentos.
- Inicie sempre a perfuração a uma velocidade reduzida e com a ponta da broca em contacto com a peça. A velocidades mais elevadas, a broca pode ficar dobrada se rodar livremente sem tocar na peça, podendo causar ferimentos.
- Aplique pressão apenas em linha recta com a broca e não aplique pressão excessiva. As brocas podem ficar dobradas e causar rotura ou perda de controlo, bem como ferimentos.

## Andras säkerhet

- Detta verktyg får inte användas av personer (inklusive barn) med nedsatt fysisk eller mental förmåga eller bristande erfarenhet och kunskap, om de inte övervakas och får vägledning om användningen av apparaten av en person som ansvarar för deras säkerhet.
- Barn ska hållas under uppsikt så att de inte leker med apparaten.

## Återstående risker

Ytterligare risker som inte finns med i de bifogade säkerhetsanvisningarna kan uppstå när verktyget används. Dessa risker kan uppstå vid felaktig eller långvarig användning, etc.

Även om alla relevanta säkerhetsanvisningar följs och säkerhetsanordningar används kan vissa ytterligare risker inte undvikas. Dessa omfattar:

- Skador orsakade av att roterande/rörliga delar vidrörs.
- Skador som uppstår vid byte av delar, blad eller tillbehör.
- Skador som orsakas av långvarig användning av ett verktyg. Se till att regelbundet ta vilopausar när du använder ett verktyg under en längre period.
- Nedsatt hörsel.
- Hälsorisker till följd av inandning av damm när redskapet används (exempel: arbete med trämaterial, särskilt ek, bok och MDF).

## Vibrationer

De vibrationsvärden som anges i avsnitten Tekniska data och deklARATIONEN om överensstämmelse har uppmätts i enlighet med en standardtestmetod föreskriven i EN 62841 och kan användas för jämförelse med andra verktyg. Det angivna vibrationsvärdet kan även användas för en preliminär bedömning av exponeringen.

**Varning!** Vibrationsvärdet under faktisk användning av elverktyget kan skilja sig från det uppgivna värdet beroende på hur verktyget används. Vibrationsnivån kan överstiga den uppgivna nivån.

Vid uppskattningar av exponering för vibrationer i syfte att bedöma vilka säkerhetsåtgärder som är nödvändiga enligt 2002/44/EG för att skydda personer som regelbundet använder elverktyg i arbetet ska man utgå från de faktiska omständigheter under vilka elverktyget används och sättet på vilket det används. Bedömningen ska även ta hänsyn till alla moment i arbetscykeln, t.ex. när verktyget är avstängt och när det går på tomgång såväl som när det faktiskt används.

## Etiketter på verktyget

Följande varningssymboler finns på verktyget, tillsammans med datumkoden:



**Varning!** Läs bruksanvisningen före användning för att minska risken för personskador.



Se inte på lampan.

## Ytterligare säkerhetsinstruktioner för batterier och laddare (levereras inte med verktyget)

### Batterier

- Försök aldrig öppna av någon anledning.
- Utsätt inte batteriet för vatten.
- Förvara inte på platser där temperaturen kan bli högre än 40 °C.
- Ladda endast vid omgivningstemperaturer på mellan 10 °C och 40 °C.
- Ladda endast med den laddare som följer med apparaten.

- Följ instruktionerna i avsnittet "Skydda miljön" när du gör dig av med batterier.



Försök inte ladda skadade batterier.

### Laddare

- Använd din BLACK+DECKER laddare endast för att ladda batteriet i det verktyg som den levererades med. Andra batterier kan spricka och orsaka personskador och andra skador.
- Försök aldrig ladda batterier som inte är uppladdningsbara.
- Se till att defekta sladdar byts ut omedelbart.
- Utsätt inte laddaren för vatten.
- Öppna inte laddaren.
- Gör ingen åverkan på laddaren.



Laddaren är endast avsedd för inomhusanvändning.



Läs bruksanvisningen före användning.

## Elsäkerhet



Eftersom laddaren är dubbelisolerad behövs ingen jordledare. Kontrollera alltid att nätspänningen överensstämmer med värdet på typskylten. Försök aldrig byta ut laddaren mot en vanlig nätkontakt.

- Om nätsladden är skadad måste den för att undvika risker bytas ut av tillverkaren eller en auktoriserad BLACK+DECKER-verkstad.

## Funktioner

Det här verktyget har några eller samtliga av följande funktioner.

1. Variabel hastighetskontroll
2. Framåt-/bakåttreglage
3. Vridmomentreglage
4. Snabbchuck
5. Hastighetsväljare med två lägen
6. LED-arbetsbelysning
7. Batteri
8. Batterilåsknapp
9. Bitshållare för skruvdragare

## Montering

### Användning

**Varning!** Låt verktyget arbeta i sin egen takt. Överbelasta inte.

### Ladda batteriet (Fig. A)

Batteriet måste laddas innan det används för första gången samt varje gång det inte ger tillräckligt hög effekt för arbetet som tidigare klarades av. Batteriet kan bli varmt när det

laddas. Det är normalt och innebär inte att något är fel.

**Varning!** Ladda inte batteriet om temperaturen i luften är lägre än 10 °C eller högre än 40 °C. Den rekommenderade laddningstemperaturen är cirka 24 °C.

**Notera:** Laddaren laddar inte batteriet om celltemperaturen är lägre än ungefär 10 °C eller högre än 40 °C.

**Batteriet får då sitta kvar i laddaren, som kommer att börja laddningen automatiskt när celltemperaturen har stigit eller sjunkit.**

- Koppla in laddaren i ett standard 230 Volt 50 Hz elektriskt uttag.
- Sätt i batteripaketet i laddaren såsom visas i figur A.
- Den gröna LED:n blinkar, vilket indikerar att batteriet laddas.
- När laddningen är klar indikeras detta av att den gröna LED:n lyser kontinuerligt. Batteriet är fulladdat och kan nu användas eller lämnas i laddaren.

**Varning!** brandfara. När laddaren kopplas från verktyget, se till att koppla ur laddaren ur vägguttaget först, koppla sedan ifrån laddaren från verktyget.

### Montering och borttagning av batteripaketet från verktyget (Fig. B)

**Varning!** Innan du sätter i eller tar ut batterierna ska du kontrollera att låsreglaget är i låst läge, så att du inte råkar sätta på verktyget av misstag.

Installera batteripaketet:

- Sätt in batteriet i apparaten tills ett hörbart klick hörs (Fig. B).

### Borttagning av batteripaketet från verktyget (Fig. C)

- Tryck ned batterilåsknappen såsom det visas i fig. C och dra bort batteripaketet från verktyget.

## Användaranvisningar

### Avtryckare och backknapp

- Borrmaskinen slås på och stängs av genom att genom att trycka på och släppa avtryckaren (1). Ju hårdare avtryckaren trycks in,
- desto högre hastighet på borren.
- Med framåt-/bakåtknappen (2) väljer man verktygets riktning, knappen fungerar även som låsknapp.
- För att välja framåtrörelsen släpper du strömbrytaren och flyttar framåt-/bakåtknappen åt vänster.
- För att välja bakåtrörelsen flyttar du framåt-/bakåtknappen åt andra hållet.

**Notera:** Den mittersta positionen låser verktyget i avstängt läge. Vid byte av position av kontrollknappen se till att avtryckaren är släppt.

### Vridmomentkontroll (fig. D)

Detta verktyg är utrustat med en inställningsring (3) för att välja driftläge och inställning av vridmomentet vid skruvdragning. Stora skruvar och dragning av skruvar i hårda

materiale kräver ett högre vridmoment än små skruvar och mjuka materiale.

- Vid borrhning i trä, metall och plast vrider du ringen till läget med borrhnsymbolen
- Vid skruvinfästning vrider du ringen till önskat läge. Om du inte vet vilket läge du ska välja gör du så här:
- Ställ in ringen på det lägsta vridmomentet.
- Dra åt den första skruven.
- Om kopplingen slår ifrån innan önskat resultat är uppnått ökar du ringinställningen och fortsätter att dra åt skruven. Upprepa tills du hittat rätt inställning. Använd denna inställning för de återstående skruvarna.

### Nyckelfri chuck (Fig. E)

**Varning!** Innan du sätter i eller tar ut batterierna ska du kontrollera att låsreglaget är i låst läge, så att du inte råkar sätta på verktyget av misstag.

Så här monterar du en borbbits eller annat tillbehör:

- Håll i bakre halvan av chucken (4) med en hand och använd den andra handen till att vrida främre halvan motsols (verktyget sett framifrån).
- För in bitsen eller annat tillbehör helt i chucken och dra åt ordentligt genom att vrida chucken medurs såsom visas från chuckänden.

**Varning!** Försök inte sätta fast borbbits (eller något annat tillbehör) genom att gripa tag i främre delen av chucken och sätta igång verktyget. Personskador eller skador på chucken kan uppstå om tillbehör byts på detta sätt.

### Hastighetsväljare med två lägen (Fig. F)

Den här bormaskinen har två olika hastighetslägen, vilket gör den mer flexibel. För att välja en låg hastighet och högt vridmoment (position 1), stäng av verktyget och vänta tills det stannat. Skjut tillbaka hastighetsväljarknappen (5) bort från chucken. För att välja en hög hastighet och lågt vridmoment (position 2), stäng av verktyget och vänta tills det stannat. Skjut hastighetsväljaren framåt mot chucken.

**Notera:** Flytta inte hastighetsväljaren när verktyget är påslaget. Om du har problem med att växla, se till att hastighetsväljarknappen är tryckt antingen helt framåt eller helt bakåt.

### Borrhning/skruvdragning

- Välj framåt- eller bakåtgående rörelse genom att använda framåt-/bakåtknappen (2).
- Starta verktyget genom att trycka på strömbrytaren (1). Verktygets hastighet beror på hur långt du trycker in strömbrytaren.
- Stäng av verktyget genom att släppa upp strömbrytaren.

### Tips för optimal användning

#### Borrhning

- Använd endast vassa borbbits.

- Stöd och fäst arbetsstycket ordentligt såsom instrueras i säkerhetsinstruktionerna.
- Använd lämplig och den säkerhetsutrustning som krävs såsom instrueras i säkerhetsinstruktionerna.
- Säkra och håll arbetsområdet såsom instrueras i säkerhetsinstruktionerna.
- Kör borsten mycket sakta, använd lätt tryck tills hålet är tillräckligt stort för att hålla kvar borrbitsen.
- Tryck i bitens riktning. Tryck tillräckligt hårt för att biten ska borra, men inte så hårt att motorn stannar eller biten böjer sig.
- Håll borsten ordentligt med båda händerna så att du kan hålla emot verktygets vridande rörelse.
- OM BORREN STANNAR SKA DU INTE FÖRSÖKA STARTA DEN IGEN GENOM ATT TRYCKA IN OCH SLÄPPA STRÖMBRYTAREN UPPREPADE GÅNGER. DETTA KAN SKADA BORREN.
- Minska risken för att borsten stannar vid genomborring genom att minska trycket och borra sakta den sista biten.
- Låt motorn vara igång medan du drar ut biten ur hålet. Då minskar risken för att verktyget kör fast.
- Se till att avtryckaren startar och stänger av bormaskinen.

### Borra i trä

Man kan borra i trä med samma borrbits som används för metallborring eller med borrar med sidoskår. Använd välslipade bits och dra ut dem med jämna mellanrum under borringen för att rensa bort spån från spåren.

### Borra i metall

Använd smörjolja vid borring i metall. Undantaget är gjutjärn och mässing som bör borraras torrt. Sulfuriserad skårolja och isterolja fungerar bäst.

### Borra i murverk

Vid borring i murverk ställer du borrlägesväljaren (3) i läget slagborring i linje med symbolen med den markeringen. Skjut hastighetsväljaren (5) mot främre delen av verktyget (2:a växeln).

### Skruvdragning

- Använd alltid skruvbits av rätt sort och storlek.
- Om en skruv är svår att dra åt kan du använda lite diskmedel eller tvål som smörjmedel.
- Håll alltid verktyget och skruvdragarbisen i en rät linje i förhållande till skruven.

### Underhåll

Detta BLACK+DECKER-verktyg har konstruerats för att fungera under lång tid med ett minimum av underhåll. Kontinuerlig tillfredsställande drift beror på ordentlig verktygsvård och regelbunden rengöring. Laddaren behöver inget annat underhåll än regelbunden rengöring.

**Varning!** Ta ut batteriet ur verktyget innan du utför något underhåll på verktyget. Dra ur sladden till laddaren innan du rengör den.

- Rengör regelbundet verktygets ventilationsöppningar och laddaren med en mjuk borste eller torr trasa.
- Rengör motorhölet regelbundet med en fuktig trasa.
- Använd aldrig rengöringsmedel med lösnings- eller slipmedel.
- Öppna chucken med jämna mellanrum och knacka på den för att avlägsna damm som sitter på insidan.

### Felsökning

Problem	Möjlig orsak	Möjlig lösning
Enheten startar inte.	Batteriet är inte laddat.	Kontrollera batteripaketets laddningskrav
Batteriet går inte att ladda.	Laddaren är inte inkopplad.  Omgivande temperatur är för varm eller för kall.	Anslut laddaren till ett fungerande eluttag.  Flytta laddaren och batteriet till en plats där temperaturen i den omgivande luften är över 4,5 °C eller under +40,5 °C
Enheten stängs av plötsligt.	Batteriet har nått dess maximala termiska gräns.  Slut på laddning. (För att maximera livslängden på batteripaketet är det designat att stängas av plötsligt när laddningen är slut	Låt batteripaketet svalna.  Placera på laddare och ladda.

### Proteção do ambiente



Faça uma recolha de lixo seletiva. Os produtos e as baterias assinalados com este símbolo não devem ser eliminados juntamente com o lixo doméstico normal.

Os produtos e baterias contêm materiais que podem ser recuperados ou reciclados, reduzindo a necessidade de matérias-primas. Recicle os produtos eléctricos e as baterias de acordo com as disposições locais. Estão disponíveis mais informações em [www.2helpU.com](http://www.2helpU.com)

### Tekniska data

BDCHD18			
Spänning	$V_{DC}$		18
Varvtal obelastad	$\text{Min}^{-1}$		0-400 / 0-1500
Max vridmoment	Nm		17,5/40
Chuckkapacitet	mm		1-10
Maximal borrhöjdhastighet			
Stål/Trä/murverk	mm		10/25/10
Vikt	kg		0,90 (med batteri 1,30)

Batteri	BL1518	BL2018	BL2518	BL4018
Spänning	$V_{DC}$	18	18	18
Kapacitet	Ah	1,5	2,0	2,5
Typ	Li-jon	Li-jon	Li-jon	Li-jon

Laddare		S010***400040 SSC-250040**	S018***800100 SSC-200100**	90599854**	BDC2A 90606845
Inspänning	V <sub>AC</sub>	100 - 240	220 - 240	230	230
Utspänning	V <sub>DC</sub>	8 - 20	8 - 20	18	18
Strömstyrka	mA	400	1000	1000	2000
Laddningstid cirka	Timmar	4 - 10	1,5 - 4	1,5 - 4	0,75 - 2

**Ljudtrycksnivå enligt EN 62841:**Ljudtryck (L<sub>PA</sub>) 88 dB(A), felmarginal (K) 5 dB(A)Ljudeffekt (L<sub>WA</sub>) 99 dB(A), felmarginal (K) 5 dB(A)**Totala vibrationsvärden (vektorsumman av tre axlar) enligt EN 62841:**Slagbörning i betong (a<sub>h, D</sub>) 13,4 m/s<sup>2</sup>, felmarginal (K) 1,5 m/s<sup>2</sup>Börning i metall (a<sub>h, D</sub>) <2,8 m/s<sup>2</sup>, felmarginal (K) 1,5 m/s<sup>2</sup>**EG-deklaration om överensstämmelse**

MASKINDIREKTIV



BDCHD18 – Borr/skruvdragare

Black & Decker deklarerar att dessa produkter, beskrivna under "tekniska data" uppfyller:

2006/42/EG, EN62841-1:2015, EN62841-2-1:2018+A11:2019.

De här produkterna överensstämmer även med direktiven 2014/30/EU och 2011/65/EU. För ytterligare information, kontakta Black & Decker på följande adress eller se baksidan av bruksanvisningen.

Undertecknad är ansvarig för sammanställning av den tekniska filen och gör denna förklaring på Black & Deckers vägnar.

Patrick Diepenbach  
Director General, Benelux  
Black & Decker,  
Egide Walschaertsstraat 14 -18  
2800 Malinas, Belgica  
10/08/2021

**Garantia**

Black & Decker är säker på kvaliteten hos denna produkt och erbjuder kunder 24 månaders garanti från inköpsdatumet. Denna garanti är ett tillägg till dina lagstadgade rättigheter och påverkar inte dessa på något sätt. Garantin är giltig i områden

som tillhör medlemsstaterna i Europeiska unionen och det europeiska frihandelsområdet och i Storbritannien. För yrkande under garantin måste yrkandet vara in enlighet med Black & Deckers villkor och du kommer att behöva skicka in bevis på köpet till försäljaren eller en auktoriserad reparatör. Villkoren för Black & Deckers tvååriga garanti och var du hittar din närmaste auktoriserade reparatör kan erhållas på internet på [www.2helpU.com](http://www.2helpU.com), eller genom att kontakta ditt lokala Black & Deckers kontor på adressen som anges i denna bruksanvisning. Besök vår webbplats på [www.blackanddecker.co.uk](http://www.blackanddecker.co.uk) för att registrera din nya Black & Decker produkt och få ny information om nya produkter och specialerbjudanden.

(Översettelse av de opprinnelige instruksjonene)

**Tiltenkt bruk**

Drillen BDCHD18 fra BLACK+DECKER er designet for skrutrekkerbruk og for boring i tre, metall og mur. Dette verktøyet er bare ment som et forbrukerverktøy.

**Sikkerhetsinstruksjoner****Generelle sikkerhetsadvarsler for elektroverktøy**

**Advarsel! Les alle sikkerhetsanvisninger, instruksjoner, illustrasjoner og spesifikasjoner som følger dette elektriske verktøyet.** Manglende overholdelse av instruksjonene som er listet opp under kan resultere i elektrosjokk, ild og/eller alvorlig skade.

**Ta vare på alle advarsler og instruksjoner for fremtidig bruk.** Begrepet «elektroverktøy» i advarslene nedenfor gjelder nettdrevet elektroverktøy (med ledning) eller batteridrevet elektroverktøy (uten ledning).

**1. Sikkerhet i arbeidsområdet**

- Hold arbeidsområdet rent og godt opplyst.** Rotete eller mørke områder er en invitasjon til ulykker.
- Ikke bruk verktøy i eksplosive omgivelser, slik som i nærheten av antenkelige væsker, gasser eller støv.** Elektrisk verktøy skaper gnister som kan antenne støv eller gasser.
- Hold barn og andre personer unna når du bruker et elektroverktøy.** Hvis du blir forstyrret under arbeidet, kan du miste kontrollen.

**2. Elektrisk sikkerhet**

- Støpselet til elektroverktøy må passe i stikkkontakten. Aldri modifier støpselet på noen måte. Ikke bruk adapterstøpsler til jordede elektriske verktøy.** Umodifiserte støpsler og stikkontakter som passer vil redusere risikoen for elektrisk sjokk.

- b. **Unngå kroppskontakt med jordede overflater som rør, radiatorer, komfyrer og kjøleskap.** Det er økt fare for elektrisk støt dersom kroppen din er jordet.
- c. **Hold elektroverktøy unna regn eller fuktighet.** Dersom det kommer vann i et elektroverktøy, øker faren for elektrisk støt.
- d. **Unngå uforsvarlig behandling av ledningen. Aldri bruk ledningen til å bære, trekke eller dra ut støpselet til det elektriske verktøyet. Hold ledningen borte fra varme, olje, skarpe kanter eller bevegelige deler.** Skadede eller innviklede ledninger øker risikoen for elektrisk sjokk.
- e. **Når du bruker et elektroverktøy utendørs, må du bruke en skjoteledning som er egnet for utendørs bruk.** Når du bruker en skjoteledning som er egnet for utendørs bruk, reduseres risikoen for elektrisk støt.
- f. **Dersom bruk av et elektrisk verktøy på et fuktig sted er uunngåelig, bruk en strømkilde med jordfeilbryter (RCD).** Bruk av jordfeilbryter (RCD) reduserer risikoen for elektrisk støt.
3. **Personlig sikkerhet**
- a. **Vær oppmerksom, pass på hva du gjør, og vis fornuft når du arbeider med et elektroverktøy. Ikke bruk et elektrisk verktøy dersom du er trøtt eller er påvirket av medikamenter, narkotika eller alkohol.** Ett øyeblikks uoppmerksomhet under bruk av elektriske verktøy kan føre til alvorlig personskade.
- b. **Bruk personlig verneutstyr. Bruk alltid vernerbriller.** Verneutstyr slik som støvmaske, sklisikre vernesko, hjelm, eller hørselsvern brukt under passende forhold vil redusere personskader.
- c. **Unngå utilsiktet oppstart. Kontroller at bryteren står i posisjon «av» før du kobler til strømkilden og/eller batteripakken, og før du tar opp eller bærer verktøyet.** Å bære elektriske verktøy med fingeren på bryteren eller å sette inn støpselet mens elektriske verktøy har bryteren på øker faren for ulykker.
- d. **Fjern eventuelle justeringsnøkler før du slår på det elektriske verktøyet.** En nøkkel som er festet til en roterende del av det elektriske verktøyet kan føre til personskade.
- e. **Ikke strekk deg for langt. Ha godt foffeste og stå støtt hele tiden.** Dette fører til at du har bedre kontroll over det elektriske verktøyet ved uventede situasjoner.
- f. **Bruk egnet antrekk. Ikke ha på deg løstsittende klær eller smykker. Hold hår, antrekk og hanser borte fra bevegelige deler.** Løstsittende klær, smykker og langt hår kan bli fanget opp av bevegelige deler.
- g. **Hvis det kan monteres støvavsug- og oppsamlingsinnretninger, må du forvise deg om at disse er tilkoblet og brukes på riktig måte.** Bruk av støvoppsamlere kan redusere støvrelaterte farer.
- h. **Ikke la erfaring med hyppig bruk av verktøy la deg bli likegyldig og ignorere verktøyets sikkerhetsregler.** En uforsiktig handling kan føre til alvorlig personskade på brøkdelen av et sekund.
4. **Bruk og vedlikehold av elektriske verktøy**
- a. **Ikke bruk makt på elektroverktøyet. Bruk det elektriske verktøyet som situasjonen krever.** Det riktige elektriske verktøyet vil gjøre jobben bedre og tryggere ved den hastigheten det ble konstruert for.
- b. **Ikke bruk elektroverktøyet hvis du ikke kan slå det på og av med bryteren.** Ethvert elektrisk verktøy som ikke kan kontrolleres med bryteren er farlig og må repareres.
- c. **Trekk støpselet ut av stikkontakten og/eller koble fra batteripakken, hvis den er avtakbar, og/eller koble fra elektroverktøyet før du foretar noen justeringer, endrer tilbehør eller lagrer elektroverktøy.** Slike preventive sikkerhetsforanstaltninger reduserer risikoen for å starte det elektriske verktøyet ved et uhell.
- d. **Elektroverktøy som ikke er i bruk, må oppbevares utilgjengelig for barn. Ikke la verktøyet bli brukt av personer som ikke er fortrolig med det, eller som ikke har lest denne bruksanvisningen.** Elektriske verktøy er farlige i hendene på utrenede brukere.
- e. **Sørg for vedlikehold av elektroverktøy og tilbehør. Undersøk om bevegelige deler er feiljustert eller blokkert, om deler er skadet, og om det er andre forhold som kan påvirke elektroverktøyets funksjon. Dersom det er skadet, få verktøyet reparert før neste bruk.** Mange ulykker forårsakes av dårlig vedlikeholdte verktøy.
- f. **Hold skjæreverktøy skarpe og rene.** Godt vedlikeholdte skjæreverktøy med skarpe skjærekanten setter seg mindre sannsynlig fast og er lettere å kontrollere.
- g. **Bruk elektroverktøy, tilbehør, bits osv. i henhold til disse instruksjonene. Ta hensyn til arbeidsforholdene og arbeidet som skal utføres.** Bruk av det elektriske verktøyet for oppgaver som er forskjellige fra de som er tiltenkt kan føre til en farlig situasjon.
- h. **Hold håndtakene og gripeflatene tørre, rene og frie for olje og fett.** Glatte håndtak og gripeflater forhindrer trygg håndtering og kontroll av verktøyet i uventede situasjoner.
5. **Bruk og stell av batteriverktøy**
- a. **Skal kun lades opp ved hjelp av batteriladere spesifisert av produsenten.** En lader som passer for en type batteripakke kan føre til risiko for brann dersom den brukes på en annen batteripakke.
- b. **Bruk elektroverktøy bare med spesifikt angitte batteripakker.** Bruk av andre batteripakker kan føre til risiko for personskade og brann.
- c. **Når batteripakken ikke er i bruk, må du oppbevare den atskilt fra andre metallgjenstander som binders, mynter, nøkler, spiker, skrur eller andre små**



metallgjenstander som kan opprette en forbindelse fra en terminal til en annen. Kortslutning av batteripolene mot hverandre kan føre til brannskader eller brann.

- d. Ved feilaktig bruk kan det komme væske ut av batteriet, unngå kontakt med den. Dersom du kommer i kontakt med den, skyl av med vann. Dersom du får væsken i øynene, søk legehjelp. Væske som kommer ut av batteriet kan føre til irritasjon eller brannskader.
- e. Batteripakke eller verktøy som er skadet eller modifisert skal ikke brukes. Batterier som er skadet eller modifisert kan ha uventet oppførsel og føre til brann, eksplosjon eller personskader.
- f. Batteripakken skal ikke utsettes for brann eller for høy temperatur. Eksponering for brann eller temperaturer over 130 °C kan føre til eksplosjon.
- g. Følg alle ladeinstrukser og ikke lade batteripakken eller verktøyet utenfor temperaturområdet som angitt i bruksanvisningen. Feil lading eller ved temperaturer utenfor det angitt området kan skade batteriet og øke faren for brann.

## 6. Service

- a. Elektroverktøy skal alltid repareres av kvalifisert personell og bare med originale reservedeler. Dette vil sikre at verktøyet sikkerhet blir ivarettatt.
- b. Skadede batteripakker skal aldri repareres. Service på batteripakker skal kun utføres av produsenten eller autoriserte serviceverksteder (kun for batteriverktøy).

## Ytterligere sikkerhetsadvarsler for elektroverktøy



**Advarsel!** Ytterligere sikkerhetsadvarsler for boremaskiner.

- Hold elektroverktøyet i de isolerte gripeflatene når du utfører en operasjon der skjæretilbehøret kan komme i kontakt med skjulte ledninger. Kuttetilbehør som kommer i kontakt med en "strømførende" ledning kan gjøre utsatte metalldele på elektroverktøyet "strømførende" og kan gi operatøren et elektrisk støt.
- Bruk hørselvern ved slagboring. Eksponering for støy kan forårsake hørselstap.
- Bruk klemmer eller en annen praktisk måte å feste og støtte arbeidsstykket til en stabil plattform. Å holde arbeidet for hånd eller mot kroppen gjør det ustabil og kan føre til tap av kontroll.
- Før du kjører festemidler inn i vegger, gulv eller tak, sjekk plasseringen av ledninger og rør.
- Tiltent bruk er beskrevet i denne bruksanvisningen.
- Bruk av tilbehør eller tilbehør eller utførelse av andre operasjoner med dette verktøyet enn de som er anbefalt i denne bruksanvisningen, kan utgjøre en risiko for personskade og/eller skade på eiendom.

## Sikkerhetsinstruksjoner når du bruker lange borebiter

- Bruk aldri med høyere hastighet enn maksimal hastighetsvurdering på borbitten. Ved høyere hastigheter vil biten sannsynligvis bøye seg hvis den får lov til å rotere fritt uten å kontakte arbeidsstykket, noe som resulterer i personskade.
- Start alltid med at bore ved lav hastighet og med spidsen af boret i kontakt med overfladen. Ved høyere hastigheter vil boret sannsynligvis bli bøyet, hvis det roterer fritt uten at komme i kontakt med arbeidsemnet, hvilket resulterer i personskade.
- Påfør kun tryk i direkte linje med boret, og påfør ikke for meget tryk. Bor kan bøye, hvilket forårsaker ødelæggelse eller tab af kontrol, som kan resultere i personskade.

## Andre personers sikkerhet

- Det er ikke meningen at dette verktøyet skal brukes av personer (inkludert barn) med reduserte fysiske, sansemessige eller mentale evner, eller som mangler erfaring og kunnskap, med mindre de har fått oppfølging eller instruksjon når det gjelder bruken av apparatet, fra en person som er ansvarlig for deres sikkerhet.
- Barn må holdes under oppsyn, sørg for at de ikke leker med apparatet.

## Restrisikoer

Når verktøyet brukes, kan det oppstå ytterligere risikoer som kanskje ikke er beskrevet i de medfølgende sikkerhetsadvarslene. Disse risikoene kan bli forårsaket av feil bruk, langvarig bruk osv.

Selv om de relevante sikkerhetsbestemmelsene blir fulgt, og sikkerhetstiltakene blir gjennomført, kan visse gjenværende risikoer ikke unngås. Disse inkluderer:

- Personskader som forårsakes av berøring av en roterende/bevegelig del.
- Personskader som forårsakes av at en del, et blad eller tilbehør endres.
- Personskader som skyldes for lang tids bruk av verktøyet. Når du bruker et verktøy i lange perioder, må du sørge for å ta regelmessige pauser.
- Hørselskader.
- Helsefarer som forårsakes av innånding av støv som dannes når du bruker verktøyet (eksempel: arbeid med tre, spesielt eik, bøk og MDF).

## Vibrasjon

Vibrasjonsemisjonsverdien som er angitt under tekniske data og samsvarserklæring, er blitt målt i henhold til en standard testmetode som er angitt i EN 62841, og kan brukes til å sammenligne et verktøy med et annet. Den oppgitte vibrasjonsemisjonsverdien kan også brukes til en foreløpig vurdering av eksponering.



**Advarsel!** Vibrasjonsemissjonsverdien under faktisk bruk av elektroverktøyet kan avvike fra den oppgitte verdien avhengig av måten verktøyet blir brukt på. Vibrasjonsnivået kan øke over nivået som er oppgitt.

Når det vurderes vibrasjonseksposering for å avgjøre hvilke sikkerhetstiltak som kreves ifølge 2002/44/EF, for å beskytte personer som bruker elektroverktøy regelmessig til arbeidsformål, skal det, når vibrasjonseksposeringen anslås, tas hensyn til de faktiske bruksforholdene og måten verktøyet blir brukt på. Dette inkluderer å ta hensyn til alle deler av brukssyklusen, for eksempel når verktøyet er avslått, når det går på tomgang og når utløseren er trykket inn.

### Etiketter på verktøyet

Følgende advarselssymboler vises på verktøyet sammen med datokoden:



**Advarsel!** Brukeren må lese håndboken for å redusere risikoen for personskade.



Ikke stir på lampen

### Ytterligere sikkerhetsinstruksjoner for batterier og ladere (følger ikke med verktøyet)

#### Batterier

- Forsøk aldri å åpne av noen årsak.
- Ikke utsett batteriet for vann.
- Ikke oppbevar det på steder hvor temperaturen kan komme over 40 °C.
- Lad bare ved temperaturer mellom 10 °C og 40 °C.
- Bruk bare laderen som følger med verktøyet.
- Følg instruksjonene i avsnittet "Miljøvern" når du skal kaste batterier.



Ikke forsøk å lade opp skadede batterier.

#### Ladere

- Bruk bare BLACK+DECKER-laderen til å lade batteriet i apparatet som laderen ble levert sammen med. Andre batterier kan sprekke og føre til personskade og materiell skade.
- Prøv aldri å lade ikke-oppladbare batterier.
- Skift ut defekte ledninger umiddelbart.
- Ikke utsett laderen for vann.
- Ikke åpne laderen.
- Ikke stikk gjenstander eller fingre inn i laderen.



Laderen er bare beregnet for innendørs bruk.



Les denne håndboken før bruk.

### Elektrisk sikkerhet



Denne laderen er dobbeltisolert. Jording er derfor ikke nødvendig. Kontroller alltid at nettspenningen er i overensstemmelse med spenningen på typeskiltet. Ikke skift ut laderen med et vanlig nettstøpsel.

- Hvis strømledningen blir skadet, må den byttes av produsenten eller et autorisert BLACK+DECKER-servicesenter for å unngå fare.

### Funksjoner

Dette verktøyet har noen av eller alle følgende egenskaper.

1. Bryter for variabel hastighet
2. Glidebryter for fremover/bakover
3. Momentjusteringskrage
4. Nøkkelløs chuck
5. Gir med to områder
6. LED-arbeidslampe
7. Batteri
8. Festeknapp for batteriet
9. Skrutrekker bitholder

### Montering

#### Bruk

**Advarsel!** La verktøyet arbeide i sin egen hastighet. Må ikke overbelastes.

#### Lading av batteriet (Fig. A)

Batteriet må lades før første gang det brukes, og hver gang det ikke lenger gir nok strøm til oppgaver som tidligere ble utført uten problemer. Batteriet kan bli varmt under lading. Dette er normalt og innebærer ikke feil.

**Advarsel!** Ikke lad batteriet ved omgivelsestemperaturer under 10 °C eller over 40 °C. Anbefalt ladetemperatur er ca. 24 °C.

**Merk: Laderen vil ikke lade et batteri hvis celleteperaturen er under ca. 10 °C eller over 40 °C. Du bør la batteriet stå i laderen. Laderen begynner å lade automatisk når celleteperaturen blir høyere eller lavere.**

- Plugg laderen inn i enhver standard 230 Volts 50 Hz stikkontakt.
- Sett batteripakken inn i laderen som vist i på figur A.
- Det grønne LED-lyset blinker for å varsle om at batteriet lades.
- Fullført lading vises ved at den grønne LED-en er på. Pakken er da fullt oppladet og kan brukes, eller den kan bli stående i laderen.

**Advarsel!** fare for brann. Når du kobler fra laderen fra verktøyet, forsikre deg om at laderen er tatt ut av stikkkontakten først, deretter kobler du fra laderkabelen fra verktøyet.

### Sette inn og ta av batteripakke på verktøyet (Figur B)

**Advarsel!** Pass på at låseknappen er i bruk for å hindre utilsiktet aktivering av bryteren før du tar ut eller setter inn et batteri.

### Installere batteripakken:

- Sett batteriet inn i verktøyet til du hører et klikk når det går i lås (Fig. B)

### Ta av batteripakke på verktøyet (Figur C)

- Trykk på batteriutløserknappen som vist på (Fig. C) og dra batteripakken ut av verktøyet.

## Instrukser for bruk

### Avtreksbryter & reversknapp

- Drillen skrur PÅ og AV ved å dra og slippe avtreksbryteren (1). Jo mer avtreksbryteren trykkes, desto fortere går boremaskinen.
- En kontrollknapp (2) for fremover/bakover bestemmer retningen på verktøyet og tjener også som låseknapp.
- Når du velger rotasjon fremover, utløser du utløserbryteren og beveger kontrollknappen for fremover/bakover til venstre.
- Når du velger rotasjon bakover, beveger du kontrollknappen i motsatt retning.

**Merk:** Når kontrollknappen står i midten er verktøyet låst. Når du skifter kontrollknappens posisjon, påse at avtreksbryteren er sluppet.

### Dreiemomentkontroll (Figur D)

Dette verktøyet er utstyrt med en mansjett (3) for å velge bruksmodus og stille inn moment for å skru til skruer. Store skruer og arbeidsstykker i harde materialer krever høyere moment er små skruer og arbeidsstykker med bløte materialer.

- For boring i tre, metall og plast stilles mansjetten i stillingen med boresymbolet
- Når verktøyet brukes som skrutrekker, settes mansjetten i ønsket stilling. Hvis du ikke vet hva som er riktig innstilling ennå, gå du frem slik:
- Sett mansjetten i stillingen for laveste moment.
- Stram til den første skruen.
- Hvis koblingen lager en klikkelyd før du oppnår ønsket resultat, øker du mansjettinnstillingen og fortsetter å stramme skruen. Gjenta til du når korrekt innstilling. Bruk denne innstillingen for de gjenværende skruene.

### Nøkkelfri chuck (Figur E)

**Advarsel!** Pass på at låseknappen er i bruk for å hindre utilsiktet aktivering av bryteren før du tar ut eller setter inn tilbehør.

Slik setter du inn et bor eller annet tilbehør:

- Hold den bakre havdelen av chucken (4) med én hånd, og bruk den andre hånden til å dreie den fremre halvdel mot klokken sett fra chucksiden.
- Sett biten eller annet tilbehør helt inn i chucken og fest godt ved å holde den bakre delen av chucken og rotere frontdelen med klokken (sett fra chucksiden).

**Advarsel!** Ikke forsøk å stramme drill-bits (eller annet tilbehør) ved å gripe rundt fronten av chucken og deretter slå på verktøyet. Det kan oppstå skade på chucken og personskaade når tilbehør skiftes.

### Gir med to områder (Figur F)

To-område funksjonen gjør det mulig å skifte gir og gir dermed større fleksibilitet. Når du skal velge høy hastighet og lavt dreiemoment (posisjon 1), skru du verktøyet av og venter til det stopper. Skyv girskifterknappen (5) bort fra chucken. Når du skal velge høy hastighet og lavt dreiemoment (posisjon 2), skru du verktøyet av og venter til det stopper. Skyv girskifterknappen mot chucken.

**Merk:** Ikke skift gir når verktøyet er i gang. Dersom du har problemer med å skifte gir, pass på at to-trinns girskifter er skjøvet enten helt forover eller helt bakover.

### Boring/skrutrekking

- Velg rotasjon fremover eller bakover med glidebryteren for fremover/bakover (2).
- Trykk på bryteren (1) for å slå verktøyet på. Hastigheten til verktøyet avhenger av hvor langt inn du trykker bryteren.
- Slipp bryteren for å slå verktøyet av.

## Råd for optimal bruk

### Boring

- Bruk kun skarpe drillbits.
- Støtt opp og fest arbeidsstykket godt, som angitt i sikkerhetsanvisningene.
- Bruk riktig og påkrevd sikkerhetsutstyr som anvist i sikkerhetsinstruksjonene.
- Sikre og vedlikehold arbeidsområdet som beskrevet i sikkerhetsinstruksjonene.
- Kjør maskinen svært langsomt til hullet er dypt nok til å holde drillbiten fra å skli ut.
- Trykk i rett linje med boret. Bruk nok trykk til at boret biter, men ikke så mye at motoren stanser eller at boret skifter retning.
- Hold drillen fast med begge hender for å kontrollere vridningen.
- IKKE KLIKK MED BRYTEREN PÅ ET FASTKJØRT VERKTØY PÅ OG AV FOR Å FORSØKE Å STARTE DET. BOREMASKINEN KAN BLI SKADET.
- Reduser blokkering til et minimum ved gjennombrudd ved å redusere trykket og bore langsomt gjennom den siste delen av hullet.

- Hold motoren i gang mens du trekker boret ut av det borede hullet. Dette vil bidra til å redusere fastkjøring.
- Forsikre deg om at bryteren slår drillen på og av.

### Boring i tre

Hull i tre kan bores med de samme spiralborene som brukes til metall, eller med flate borer. Disse borene bør være skarpe og bør trekkes ut ofte under boringen så spon kan fjernes fra furene i boret.

### Boring i metall

Bruk et en skjærevæske for smøring ved boring i metall. Unntak er støpejern og messing som bør bores tørt. Smøremidlene som virker best, er svovelholdig skjæreolje eller fettolje.

### Bore i mur

Hvis du skal bore i mur, setter du kragen (3) til hammer drillingsposisjon ved å rette symbolet med merkingen. Skyv hastighetsvelgeren (5) mot forsiden av verktøyet (2.gir).

### Bruk som skrutrekker

- Bruk alltid riktig type og størrelse av skrutrekkerbit.
- Hvis skruer er vanskelige å stramme, prøv du å bruke litt flytende vaskemiddel eller såpe som smøremiddel.
- Hold alltid verktøyet og skrutrekkerbiten i rett linje med skruen.

### Feilsøking

Problem	Mulig årsak	Mulig løsning
Enheten starter ikke.	Batteripakken er ikke ladet.	Kontroller kravene til lading av batteripakken
Batteripakken blir ikke ladet.	Laderen er ikke satt inn i stikkkontakten.  Omgivelsestemperaturen er for varm eller kald.	Sett laderen i en stikkontakt som virker.  Flytt laderen og batteriet til et sted med lufttemperatur over 40 grader F (45°C) eller under 105 grader F (+40,5°C)
Enheten stopper brått.	Batteripakken har nådd sin maksimale temperaturrense.  Ikke oppladet. (For å få lengst mulig levetid på batteriet, er batteripakken designet for å slå seg av straks den er utladet)	La batteripakken kjøle seg ned.  Sett i laderen og la den lade seg opp.

### Vedlikehold

BLACK+DECKER-verktøyet ditt er konstruert for å være i drift over lengre tid med et minimum av vedlikehold. For at den skal fungere tilfredsstillende over tid, er det viktig å sørge for riktig stell av verktøyet og regelmessig renhold.

Laderen krever ikke annet vedlikehold enn regelmessig rengjøring.

**Advarsel!** Før du utfører vedlikehold på verktøyet, må du fjerne batteriet fra verktøyet. Trekk ut laderen fra stikkkontakten før du rengjør den.

- Rengjør ventilasjonsåpningene i verktøyet og laderen jevnlig med en myk børste eller tørr klut.
- Rengjør motorhuset regelmessig med en fuktig klut.
- Ikke bruk slipende eller løsemiddelbaserte rengjøringsmidler.
- Åpne chucken regelmessig, og bank på den for å fjerne eventuelt støv fra innsiden.

### Miljøvern



Separat avfallshåndtering. Produkter og batterier merket med dette symbolet skal ikke kastes i vanlig husholdningsavfall.

Produkter og batterier inneholder materialer som kan gjenbrukes eller gjenvinnes for å redusere behovet for nye råmaterialer. Vennligst lever elektrisk utstyr og batterier til gjenbruk i henhold til lokale retningslinjer. Mer informasjon finner du på [www.2helpU.com](http://www.2helpU.com)

### Tekniske data

		BDCHD18			
Spenning	$V_{DC}$				18
Ubelastet hastighet	$Min^{-1}$				0-400 / 0-1500
Maks. dreiemoment	Nm				17,5/40
Chuck kapasitet	mm				1-10
Maksimal borekapasitet					
Stål/Tre/mur	mm				10/25/10
Vekt	kg				0,90 (med batteri 1,30)

Lader	S010***400040 SSC-250040**	S018***800100 SSC-200100**	90599854**	BDC2A 90606845
Inngangsspenning $V_{AC}$	100 - 240	220 - 240	230	230
Utgangsspenning $V_{DC}$	8 - 20	8 - 20	18	18
Strøm	400 mA	1000	1000	2000
Omtrentlig ladetid	Timer 4 - 10	1,5 - 4	1,5 - 4	0,75 - 2

Batteri	BL1518	BL2018	BL2518	BL4018
Spänning $V_{DC}$	18	18	18	18
Kapasitet Ah	1,5	2,0	2,5	4,0
Typ	Li-jon	Li-jon	Li-jon	Li-jon

#### Lydtryknivå i henhold til EN 62841:

Lydtrykk ( $L_{pA}$ ) 88 dB(A), usikkerhet (K) 5 dB(A)

Lydeffekt ( $L_{WA}$ ) 99 dB(A), usikkerhet (K) 5 dB(A)

#### Totale vibrasjonsverdier (vektorsum fra tre retninger) bestemt i samsvar med EN 62841:

Boring med slag i betong ( $a_{h,D}$ ) 13,4  $m/s^2$ , usikkerhet (K) 1,5  $m/s^2$

Boring i metall ( $a_{h,D}$ ) <2,8  $m/s^2$ , usikkerhet (K) 1,5  $m/s^2$

## EU-samsvarserklæring

MASKINERIDIREKTIV



BDCHD18 – Drill, skrutrekker

Black & Decker erklærer at disse produktene, som er beskrevet under "Tekniske data", er i samsvar med: 2006/42/EF, EN62841-1:2015, EN62841-2-1:2018+A11:2019.

Disse produktene er også i samsvar med direktiv 2014/30/EU og 2011/65/EU. Hvis du ønsker mer informasjon, kan du kontakte Black & Decker på adressen nedenfor eller se baksiden av bruksanvisningen.

Undertegnede er ansvarlig for sammenstillingen av den tekniske filen og fremsetter denne erklæringen på vegne av Black & Decker.

Patrick Diepenbach  
General Manager, Benelux  
Black and Decker,  
Egide Walschaertsstraat 14-18  
2800 Mechelen, Belgia  
10/08/2021

## Garanti

Black & Decker er trygg på kvaliteten av produktene sine og tilbyr en 24 måneders garanti fra kjøpsdato. Denne garantierklæringen kommer i tillegg til dine lovbestemte rettigheter og er ikke i konflikt med disse. Garantien er gyldig innen områdene tilhørende medlemslandene i den Europeiske Union (EU) og det Europeiske Frihandelsområdet (EFTA) og Storbritannia.

For å ta garantien i bruk må kravet være i samsvar med kjøpsbetingelsene fra Black&Decker og du må vise kjøpskvittering til forhandleren eller til et autorisert serviceverksted.

Betingelsene for Black & Deckers 2 års garanti og adressen til din nærmeste autoriserte serviceverksted kan du finne på internett under [www.2helpU.com](http://www.2helpU.com), eller ved å kontakte ditt lokale Black & Decker kontor, adressen er angitt i denne bruksanvisningen.

Vennligst se vår nettside [www.blackanddecker.co.uk](http://www.blackanddecker.co.uk) for å registrere ditt Black & Decker produkt og få oppdateringer om nye produkter og spesialtilbud.

## Tilsluttet bruk

Din BLACK+DECKER BDCHD18 - boremaskine er designet til skruetasker samt til boring i tre, metal og murværk. Værktøjet er kun beregnet til privat bruk.

## Sikkerhedsinstruktioner

## Generelle sikkerhedsadvarsler vedrørende elværtøj



**Advarsel! Læs alle sikkerhedsadvarsler, instruktioner, illustrationer og specifikationer, der følger med dette elværtøj.** Manglende overholdelse af alle nedenstående instruktioner kan medføre elektrisk stød, brand og/eller alvorlige kvæstelser.

## Gem alle advarsler og instruktioner til fremtidig reference.

Begrebet "elværtøj", der benyttes i nedenstående advarsler, henviser til nettdrevne (med netledning) eller batteridrevne maskiner (uden netledning).

## 1. Sikkerhed i arbejdsområdet

- a. **Sørg for, at arbejdsområdet er rent og godt oplyst.** Rodede eller mørke områder giver anledning til ulykker.
- b. **Brug ikke elværtøj i eksplosive omgivelser, f.eks. hvor der er brændbare væsker, gasser eller støv.** Elværtøj danner gnister, der kan antænde støv eller dampe.
- c. **Hold børn og andre personer på afstand, når et elværtøj er i brug.** Distractioner kan medføre, at du mister kontrollen.

## 2. Elektricitet og sikkerhed

- a. **Elværtøjsstik skal passe til stikkontakten. Stikket må aldrig modificeres på nogen måde. Undlad at bruge adapterstik sammen med (jordforbundet) elektrisk værktøj.** Umodificerede stik og dertil passende stikkontakter reducerer risikoen for elektrisk stød.
- b. **Undgå kropskontakt med jordforbundne overflader som f.eks. rør, radiatorer, komfurer og køleskabe.** Der er øget risiko for elektrisk stød, hvis din krop er jordforbundet.
- c. **Elværtøj må ikke udsættes for regn eller fugt.** Hvis der trænger vand ind i et elektrisk værktøj, øges risikoen for elektrisk stød.
- d. **Ødelæg ikke ledningen. Brug aldrig ledningen til at bære, trække værktøjet eller trække det ud af stikkontakten. Hold ledningen borte fra varme, olie, skarpe kanter og bevægelige dele.** Beskadigede eller sammenfiltrede ledninger øger risikoen for elektrisk stød.
- e. **Hvis elværtøj benyttes i det fri, skal der benyttes en forlængerledning, som er godkendt til udendørs brug.** Brug af en ledning, der er egnet til udendørs brug, reducerer risikoen for elektrisk stød.
- f. **Brug en strømkilde med fejlstrømsbeskyttelse, hvis det er uundgåeligt at anvende elværtøj på fugtige**

**steder.** Ved at benytte en fejlstrømsafbryder reduceres risikoen for elektrisk stød.

### 3. Personssikkerhed

- a. **Vær opmærksom, hold øje med, hvad du laver, og brug elværktøjet fornuftigt. Betjen ikke værktøjet, hvis du er træt, påvirket af narkotika, alkohol eller medicin.**

Et øjeblik uopmærksomhed under anvendelse af et elektrisk værktøj kan forårsage alvorlige kvæstelser.

- b. **Anvend personligt beskyttelsesudstyr. Bær altid beskyttelsesbriller.** Det er muligt at reducere risikoen for kvæstelser ved alt efter omstændighederne at anvende det passende sikkerhedsudstyr såsom støvmaske, skridsikre sikkerhedssko, sikkerhedshjelm eller høreværn.

- c. **Sørg for, at værktøjet ikke kan starte utilsigtet. Kontrollér, at afbryderkontakten står på slukket, inden værktøjet tilsluttes strømkilden og/eller batteriet, samles op eller bæres.** Når elektrisk værktøj bæres med fingeren på kontakten eller tilsluttes, når kontakten er tændt, giver det anledning til ulykker.

- d. **Fjern indstillingsværktøj eller skruenøgle, inden elværktøjet tændes.** En skruenøgle eller anden nøgle, der bliver siddende på en roterende del af elektrisk værktøj, kan give anledning til personskaade.

- e. **Undlad at række for langt. Hold hele tiden en god fodstilling og balance.** Dette udgør at du har bedre kontrol over det elektriske værktøj, når uventede situationer opstår.

- f. **Bær hensigtsmæssig påklædning. Bær ikke løst tøj eller smykker. Hold dit hår, tøj og handsker væk fra bevægelige dele.** Løstsiddende tøj, smykker eller langt hår kan blive fanget i bevægelige dele.

- g. **Hvis støvudsugnings- og opsamlingsudstyr kan monteres, er det vigtigt, at dette tilsluttes og benyttes korrekt.** Anvendelse af støvsamlingsudstyr kan begrænse farer forårsaget af støv.

- h. **Lad ikke kendskab fra hyppig brug af værktøjer gøre dig uforsigtig og få dig til at ignorere principperne for værktøjsikkerhed.** En uforsigtig handling kan forårsage alvorlig personskaade på en brøkdæl af et sekund.

### 4. Brug og vedligeholdelse af elværktøj

- a. **Undgå at overbelaste elværktøjet. Brug det elværktøj, der er bedst egnet til det arbejde, der skal udføres.** Det korrekte elværktøj klarer opgaven bedre og mere sikkert med den effekt, som det er konstrueret til.

- b. **Brug ikke elværktøjet, hvis afbryderen er defekt.** Alt elektrisk værktøj, der ikke kan kontrolleres med kontakten, er farligt og skal repareres.

- c. **Træk stikket ud af stikkontakten og/eller fjern batterienheden fra det elektriske værktøj, hvis det kan udtages, før det elektriske værktøj justeres, dets tilbehør udskiftes, eller det stilles til opbevaring.**

Sådanne forebyggende sikkerhedsforanstaltninger mindsker risikoen for, at værktøjet startes utilsigtet.

- d. **Opbevar ubenyttet elværktøj uden for børns rækkevidde.**

Elværktøjet må ikke bruges af personer, der ikke er fortrolige med det, eller som ikke har gennemlæst disse instruktioner. El-værktøj er farligt i hænderne på personer, som ikke er instrueret i brugen deraf.

- e. **Elværktøj og tilbehør skal vedligeholdes. Kontroller, om bevægelige dele er skæve og ikke sidder fast, og om delene er brækket eller beskadiget, så elværktøjets funktion påvirkes. Hvis det elektriske værktøj er beskadiget, skal det repareres før brug.** Mange ulykker er forårsaget af dårligt vedligeholdt værktøj.

- f. **Sørg for, at skæreværktøjer er skarpe og rene.** Ordentligt vedligeholdt skæreværktøj med skarpe skærekanter har mindre tilbøjelighed til at binde og er lettere at styre.

- g. **Brug elværktøjet, tilbehøret, indsatsværktøj osv. i overensstemmelse med disse instruktioner under hensyntagen til arbejdsforholdene og arbejdet, der skal udføres med værktøjet.** Brug af elektrisk værktøj til andre opgaver end dem, det er beregnet til, kan resultere i en farlig situation.

- h. **Hold håndtagene og håndtagsfladerne tørre, rene og fri for olie og fedt.** Glatte håndtag og gribeblader giver ikke en sikker håndtering og kontrol af værktøjet i uventede situationer.

### 5. Brug og pleje af batteriværktøj

- a. **Genoplad kun værktøjet ved brug af den oplader, der er angivet af producenten.** En oplader, der passer til en type batteripakke, kan udgøre en risiko for brand, når den bruges til en anden type.

- b. **Brug kun elværktøj sammen med batteripakker, der er specifikt beregnet hertil.** Brugen af andre batteripakker kan medføre personskaade og brand.

- c. **Når batteripakken ikke er i brug, skal den holdes på afstand af andre metalgenstande, f.eks. papirclips, mønter, nøgler, søm, skruer og andre små metalgenstande, som kan skabe forbindelse mellem de to poler.** Kortslutning af batteriet kan forårsage forbrændinger eller brand.

- d. **Under grove forhold kan væske sive ud fra batteriet; undgå kontakt. Hvis der opstår kontakt ved et uheld, skyl med vand. Hvis væske kommer ind i øjnene, søg omgående lægehjælp.** Væske, der siver ud fra batteriet, kan fremkalde irritationer eller forbrændinger.

- e. **Brug ikke en batteripakke eller et værktøj, der er beskadiget eller modificeret.** Beskadigede eller modificerede batterier kan udvise uforudsigelig adfærd, hvilket kan resultere i brand, eksplosion eller risiko for personskaade.

- f. **Udsæt ikke en batteripakke eller et værktøj for ild eller for høj temperatur.** Eksponering for ild eller temperatur på over 130 °C kan forårsage eksplosion.

- g. **Følg alle opladningsanvisninger, og undlad at oplade batteripakken eller værktøjet uden for det temperaturinterval, der er specificeret i instruktionerne.** En forkert opladning eller opladning uden for det specificerede interval kan beskadige batteriet og øge risikoen for brand.

## 6. Service

- a. **Få altid elværktøjet repareret af kvalificerede fagfolk udelukkende med identiske reservedele.** Derved sikres det, at værktøjets driftssikkerhed opretholdes.
- b. **Beskadigede batteripakker må aldrig serviceres. Service af batteripakker bør kun udføres af producenten eller autoriserede serviceudbydere.**

## Yderligere sikkerhedsadvarsler for elværktøj



**Advarsel!** Yderligere sikkerhedsadvarsler for boremaskiner

- Hold elværktøjet i de isolerede gribeblader, når du udfører en operation, hvor skæretilbehøret kan komme i kontakt med skjulte ledninger. Skæretilbehør, der kommer i kontakt med en "spændingsførende" ledning, kan gøre udsatte metaldele på elværktøjet "strømførende" og kan give operatøren et elektrisk stød.
- Brug høreværn ved slagboring. Udsættelse for støj kan forårsage høretab.
- Brug klemmer eller en anden praktisk måde til at fastgøre og støtte arbejdsemnet til en stabil platform. At holde værket i hånden eller mod kroppen efterlader det ustabil og kan føre til tab af kontrol.
- Før du slår fastgørelseselementer ind i vægge, gulve eller lofter, skal du kontrollere placeringen af ledninger og rør.
- Den tilsigtede anvendelse er beskrevet i denne brugsanvisning.
- Brugen af tilbehør eller tilbehør eller udførelse af enhver anden handling med dette værktøj end dem, der anbefales i denne instruktionsmanual, kan udgøre en risiko for personskade og/eller skade på ejendom.

## Sikkerhedsinstruktioner for at anvende lange borekroner

- Brug aldrig hurtigere hastighed end det maksimale angivet på borekronen. Ved højere hastigheder vil boret sandsynligvis bøjes, hvis det får lov til at rotere frit uden at komme i berøring med emnet, hvilket kan resultere i personskade.
- Start altid med at bore ved lav hastighed og med spidsen af boret i kontakt med overfladen. Ved højere hastigheder vil boret sandsynligvis bøjes, hvis det får lov til at rotere frit uden at komme i berøring med emnet, hvilket kan resultere i personskade.

- Begynd altid med at bore i lav hastighed og med borespidsen i kontakt med emnet. Bør kan bøje og forårsage brud eller tab af kontrol, hvilket kan resultere i personskade.

## Andres sikkerhed

- Dette værktøj må ikke bruges af personer (herunder børn) med nedsatte fysiske, sensoriske eller mentale evner eller manglende erfaring og viden, medmindre det sker under overvågning, eller der gives instruktion i brugen af værktøjet af en person, der er ansvarlig for deres sikkerhed.
- Børn skal overvåges for at sikre, at de ikke leger med udstyret.

## Restrisici

Der kan opstå yderligere restrisici under brugen af værktøjet, som ikke kan medtages i vedlagte sikkerhedsadvarsler. Disse risici kan opstå pga. forkert anvendelse, langvarig brug etc. Selv ved overholdelse af relevante sikkerhedsforskrifter og anvendelse af sikkerhedsudstyr kan visse restrisici ikke undgås. Disse omfatter:

- Tilskadekomst forårsaget af berøring af roterende/ bevægelige dele.
- Tilskadekomst forårsaget af udskiftning af dele, klinger eller tilbehør.
- Tilskadekomst forårsaget af langvarig brug af et værktøj. Husk at holde pause jævnligt ved brug af et værktøj i længere tid.
- Hørenedsættelse.
- Sundhedsrisici forårsaget af indånding af støv, der genereres ved brug af værktøjet (eksempel: Arbejde med træ, især, eg, bøg og MDF).

## Vibration

De angivne værdier for udsendelse af vibration anført under de tekniske data og overensstemmelseserklæringen er målt i henhold til standardtestmetoden i EN 62841 og kan bruges til at sammenligne ét værktøj med et andet. Den angivne vibrationsmissionsværdi kan også bruges som en foreløbig vurdering af eksponeringen.

**Advarsel!** Værdien for udsendelse af vibration ved faktisk brug af elværktøjet kan afvige fra den angivne værdi afhængig af måden, værktøjet anvendes på. Vibrationsniveauet kan overstige det angivne niveau.

I vurderingen af eksponeringen for vibration med henblik på fastsættelse af sikkerhedsforanstaltninger som krævet i 2002/44/EF til beskyttelse af personer, der jævnligt anvender elværktøj i deres arbejde, skal der tages hensyn til de faktiske betingelser under brugen, og måden værktøjet bruges på, herunder alle arbejdsrykklussens elementer, f.eks. perioder, hvor værktøjet er slukket, og hvor det kører i tomgang, tillige med startperioderne.



## Mærkater på værktøjet

Værktøjet er forsynet med følgende advarselssymboler samt datokoden:



**Advarsel!** Brugeren skal læse brugervejledningen for at reducere risikoen for tilskadekomst.



Stær ikke på betjeningslampen.

## Yderligere sikkerhedsvejledninger for batterier og ladere (følger ikke med værktøjet)

### Batterier

- Forsøg aldrig at åbne den af en eller anden grund.
- Batteriet må ikke udsættes for vand.
- Må ikke opbevares på steder, hvor temperaturen kan overstige 40 °C.
- Oplad kun ved omgivelsestemperaturer på mellem 10° C og 40 °C.
- Oplad kun ved hjælp af den medfølgende lader.
- Følg vejledningen i afsnittet "Miljøbeskyttelse" ved bortskaffelse af batterier".



Forsøg ikke at oplade beskadigede batterier.

### Opladere

- Brug kun din BLACK+DECKER-lader til at oplade batteriet i det værktøj, som den blev leveret sammen med. Andre batterier kan eksplodere og forårsage personskader og materielle skader.
- Forsøg aldrig at oplade ikke-genopladelige batterier.
- Udskift straks defekte ledninger.
- Opladeren må ikke udsættes for vand.
- Opladeren må ikke åbnes.
- Opladeren må ikke undersøges.



Opladeren er kun beregnet til indendørs brug.



Læs brugervejledningen, før værktøjet tages i brug.

## Elektricitet og sikkerhed



Laderen er dobbelt isoleret. Derfor er en jordledning ikke nødvendig. Kontroller altid, at netspændingen svarer til spændingen på typeskiltet. Forsøg aldrig at erstatte laderenheden med et almindeligt netstik.

- Hvis netledningen beskadiges, skal den udskiftes af producenten eller et autoriseret BLACK+DECKER-værksted, så farlige situationer undgås.

## Funktioner

Dette værktøj leveres med nogle af eller alle de følgende komponenter.

- 1 Variabel hastighedskontakt
- 2 Skyder til skift af retning
- 3 Justeringskravens drejement
- 4 Patron uden nøgle
- 5 Gearvælger
- 6 LED-arbejdslys
- 7 Batteri
- 8 Batteriets udløsningsknap
- 9 Skruetrækkerborholder

## Samling

### Anvendelse

**Advarsel!** Lad værktøjet arbejde i dets eget tempo. Det må ikke overbelastes.

### Opladning af batteriet (Fig. A)

Batteriet skal oplades inden ibrugtagningen, og når det ikke leverer strøm nok til opgaver, der tidligere kunne udføres ubesværet. Batteriet kan blive varmt under opladningen. Det er normalt og ikke tegn på problemer.

**Advarsel!** Oplad ikke batteriet ved omgivende temperaturer på under 10 °C eller over 40 °C. Den anbefalede opladningstemperatur er ca. 24 °C.

**Bemærk: Opladeren oplader ikke et batteri, hvis dets temperatur er under ca. 10° C eller over 40° C.**

**Batteriet bør blive siddende i laderen, som automatisk begynder opladningen, når batteriet opvarmes/afkøles. Sæt opladeren ind i enhver standard 230 volt 50 Hz stikkontakt.**

- Skub batteripakken i opladeren som vist i fig. A.
- Den grønne LED blinker for at vise, at batteriet oplades.
- Når opladningen er færdig, vil det blive angivet af den grønne LED, som vil lyse konstant. Pakken er fuldt opladet og kan nu anvendes eller kan efterlades i opladeren.

**Advarsel!** brandfare. Når du afbryder opladeren fra værktøjet, skal du sørge for først at trække stikket til opladeren ud af stikkontakten, og frakobl derefter opladerens ledning fra værktøjet.

### Indsættelse og udtagning af batteripakken fra værktøjet (Fig. B)

**Advarsel!** Sørg for, at låseknappen er aktiveret, for at forhindre utilsigtet aktivering af startknappen inden afmontering eller isætning af et batteri.

### Sådan installeres batteripakken:

- Indsæt batteripakken i værktøjet, indtil der høres et klik (Fig. B).

### Indsættelse og udtagning af batteripakken fra værktøjet (Fig. C)

- Tryk batteriets udløserknap ned som vist i (Fig. C) og træk batteripakken ud af værktøjet.

## Betjeningsvejledning

### Udløserkontakt & vendeknap

- Boret slås TIL og FRA ved at trække og udløse udløserkontakt (1). Jo længere kontakten er trykket ned, jo højere vil boret hastighed være.
- En retningsomskifterknap (2) bestemmer værktøjets arbejdsretning og fungerer også som låseknap.
- Valg af fremadgående rotation slip udløserkontakten og skub retningsomskifterknappen til venstre.
- Valg af omvendt retning skub retningsomskifterknappen til den anden side.

**Bemærk:** Midterpositionen på styreknappen låser værktøjet i off position. Når positionen på styreknappen ændres, sørg for at udløseren er udløst.

### Styring af drejemoment (fig. D)

Dette værktøj er udstyret med en krave til justering af drejemomentet (3) til valg af driftsfunktion og til indstilling af drejemomentet for fastspændingsskruer. Store skruer og hårde materialer kræver en højere indstilling af moment end små skruer og bløde materialer.

- Ved boring i træ, metal og plastic skal kraven indstilles på boresymbolet
- Ved skruoopgaver, indstil kraven til den ønskede indstilling. Gå frem på følgende måde hvis du er usikker på den rigtige position:
- Indstil kraven til laveste drejemomentindstilling.
- Spænd den første skrue.
- Hvis koblingen udløses før det ønskede resultat er opnået, forøg kravens indstilling og fortsætt med at spænde skruen. Gentag fremgangsmåden, indtil du finder den rigtige indstilling. Brug denne indstilling til de andre skruer.

### Nøglefri patron (Fig. E)

**Advarsel!** Sørg for, at låseknappen er aktiveret for at forhindre utilsigtet aktivering af kontakten inden afmontering eller isætning af tilbehør.

Sådan isættes bor eller andet tilbehør:

- Tag fat i den bageste halvdel af patronen (4) med den ene hånd, og brug den anden hånd til at dreje den forreste halvdel mod uret set fra patronenden.
- Indsæt boret eller andet tilbehør helt ind i patronen og spænd det godt ved at holde på den bageste halvdel af patronen og dreje den forreste del i urets retning som set fra borepatronens ende.

**Advarsel!** Forsøg ikke at stramme borebits (eller andet tilbehør) ved at tage fat om den forreste del af patronen og tænde værktøjet. Ved udskiftning af tilbehør kan der ske beskadigelse af patronen og personskaade.

### Dobbelt områdegearing (Figur F)

Den dobbelte områdefunktion på din boremaskine gør det muligt for dig at skifte gear til større alsidighed. Til valg af lav

hastighed, indstilling af højt drejemoment (position 1), slå værktøjet fra og tillad at stoppe. Skub gearskifterknappen (5) tilbage fra patronen. Til valg af høj hastighed, indstilling af lavt drejemoment (position 2), slå værktøjet fra og tillad at stoppe. Skub gearskifterknappen imod patronen.

**Bemærk:** Skift ikke gear når værktøjet kører. Hvis du har problemer med at skifte gear, sørg for at den dobbelte områdegearskifterknap enten er skubbet helt fremad eller helt tilbage.

### Boring/iskruning

- Select forward or reverse rotation using the forward/reverse Vælg forlæns eller baglæns omløb vha. skyderen til skift af retning (2).
- Tænd for værktøjet ved at trykke på kontakten (1). Værktøjets hastighed afhænger af, hvor langt du trykker knappen.
- Sluk for værktøjet ved at slippe kontakten.

## Gode råd til optimal brug

### Boring

- Brug kun skarpe borehoveder.
- Understøt og fastgørarbejd korrekt som instrueret i sikkerhedsinstruktionerne.
- Brug passende og nødvendigt sikkerhedsudstyr, som instrueret i sikkerhedsinstruktionerne.
- Fastgør og oprethold arbejdsområdet som instrueret i sikkerhedsinstruktionerne.
- Kør boret meget langsomt ved hjælp af et let tryk, indtil hullet startes tilstrækkeligt til at holde boret fra at glide ud af det.
- Øg trykket i en lige linje med boret. Tryk tilstrækkeligt til, at boret stadig arbejder, men ikke så meget, at motoren bremses, eller boret afbøjes.
- Hold godt fast i boremaskinen med begge hænder for at modvirke vriddet i den.
- **KLIK IKKE PÅ UDLØSEREN PÅ ET STOPPET BOR TIL OG FRA I ET FORSØG PÅ AT STARTE DET. RESULTATET KAN BLIVE BESKADIGELSE AF BORET.**
- Minimér motorstop ved gennembrud ved at reducere trykket g bor langsomt gennem den sidste del af hullet.
- Lad motoren køre, mens du trækker boret ud af et borehul. Det mindsker risikoen for, at det sidder fast.
- Kontrollér at kontakten slår boret til og fra.

### Boring i træ

Der kan bores huller i træ med samme spiralbor, der bruges til metal, eller med fladbor. Borene skal være skarpe, og de skal hyppigt trækkes ud under boringen for at fjerne spåner fra borespiralen.

### Boring i metal

Brug et skæroliesmøremiddel ved boring af metaller. Undtagelserne er støbejern og messing, der skal tørbores.

De smøremidler, der fungerer bedst, er svovlet skæreolie eller esterolie.

## Boring i murværk

For at bore i murværk skal du indstille kraven (3) til hammerborefunktionen ved at flygte symbolet med mærket. Skub hastighedsvælgeren (5) mod værktøjets forende (2. gear).

## Iskruning

- Brug altid den rette type og størrelse skruetrækker.
- Prøv at smøre lidt opvaskemiddel eller sæbe på skruen, hvis den er vanskelig at spænde.
- Hold altid værktøjet og skruetrækkeren i lige linje med skruen

## Problemløsning

Problem	Mulig årsag	Mulig løsning
Enheden vil ikke starte.	Batteriet er ikke opladet.	Kontroller kraven til opladning af batteriet
Batteriet kan ikke oplades.	Opladeren er ikke tilsluttet i.	Slut opladeren til en fungerende stikkontakt.
	Omgivende lufttemperatur for varm eller for kold.	Flyt opladeren og batteripakken til en omgivende lufttemperatur på over 45 grader C (40°F) eller under +40,5 grader C (105°F).
Enheden slukker brat.	Batteripakken har nået sin maksimale termiske grænse.	Lad batteripakken køle ned.
	Ude af opladning. (For at maksimere batteripakkens levetid er den designet til brat at slukke, når opladningen er opbrugt	Anbring den på opladeren og lad den lade op.

## Vedligehold

Dit BLACK+DECKER-værktøj er beregnet til brug gennem lang tid med et minimum af vedligeholdelse. Vedvarende tilfredsstillende funktion er afhængig af, om værktøjet plejes korrekt og rengøres regelmæssigt.

Laderen kræver ingen vedligeholdelse, men skal rengøres jævnligt.

**Advarsel!** Tag batteriet ud af værktøjet, inden der foretages vedligeholdelse på værktøjet. Træk laderen ud af stikkontakten, før den rengøres.

- Rens jævnligt værktøjets og laderens ventilationshuller med en blød børste eller en tør klud.
- Rengør med jævne mellemrum motorhuset med en fugtig klud.

- Der må ikke bruges skuremidler eller opløsningsmidler.
- Åbn jævnligt patronen, og bank på den for at fjerne støv indvendigt.

## Miljøbeskyttelse



Særskilt bortskaffelse. Produkter og batterier mærket med dette symbol må ikke bortskaffes sammen med normalt husholdningsaffald.

Produkter og batterier indeholder materialer, der kan genindvindes eller genanvendes, hvilket reducerer efterspørgslen efter råvarer. Genbrug venligst elektriske produkter og batterier i henhold til lokale bestemmelser. Yderligere informationer findes på [www.2helpU.com](http://www.2helpU.com).

## Tekniske data

		BDCHD18	
Spænding	$V_{DC}$		18
Tomgangshastighed	$Min^{-1}$		0-400 / 0-1500
Maks. moment	Nm		17,5/40
Patronkapacitet	mm		1-10
Maks. borekapacitet			
Stål/Træ/Murværk	mm		10/25/10
Vægt	kg		0,90 (med batteri 1,30)

Oplader	S010***400040 SSC-250040**	S018***800100 SSC-200100**	90599854**	BDC2A 90606845
Indgangsspænding $V_{AC}$	100 - 240	220 - 240	230	230
Udgangsspænding $V_{DC}$	8 - 20	8 - 20	18	18
Strømstyrke	mA 400	1000	1000	2000
Ladetid ca.	Timer 4 - 10	1,5 - 4	1,5 - 4	0,75 - 2

Batteri	BL1518	BL2018	BL2518	BL4018
Spænding $V_{DC}$	18	18	18	18
Kapacitet	Ah 1,5	2,0	2,5	4,0
Type	Li-Ion	Li-Ion	Li-Ion	Li-Ion

### Lydtrykniveau i henhold til EN 62841:

Lydtryk ( $L_{pA}$ ) 88 dB(A), usikkerhed (K) 5 dB(A)

Lydeffekt ( $L_{WA}$ ) 99 dB(A), usikkerhed (K) 5 dB(A)

### Samlede værdier for vibration (triaksial vektorsum) i henhold til EN 62841:

Slagboring i beton ( $a_{h, D}$ ) 13,4  $m/s^2$ , usikkerhed (K) 1,5  $m/s^2$

Boring i metal ( $a_{h, D}$ ) <2,8  $m/s^2$ , usikkerhed (K) 1,5  $m/s^2$

## EF-overensstemmelseserklæring

MASKINDIREKTIV



BDCHD18 - bor, skruetrækker

Black & Decker erklærer, at produkterne beskrevet under "Tekniske data" er i overensstemmelse med: 2006/42/EF, EN62841-1:2015, EN62841-2-1:2018+A11:2019.

Disse produkter er endvidere i overensstemmelse med direktiv 2014/30/EU og 2011/65/EU. Kontakt Black & Decker på nedenstående adresse eller se vejledningens bagside for at få flere oplysninger.

Undertegnede er ansvarlig for kompilering af den tekniske fil og udsteder denne erklæring på vegne af Black & Decker.

Patrick Diepenbach  
General Manager, Benelux  
Black and Decker,  
Egide Walschaertsstraat 14-18  
2800 Mechelen, Belgien  
10/08/2021

## Garanti

Black & Decker er overbevist om den gode kvalitet af sine produkter og giver forbrugerne en garanti på 24 måneder fra købsdatoen. Garantien er et tillæg til forbrugerens lovmæssige rettigheder og påvirker ikke disse. Garantien er gyldig inden for medlemsstaterne af Den Europæiske Union, Det Europæiske Frihandelsområde og Storbritannien. Når du gør krav på garantien, skal kravet være i overensstemmelse med Black & Decker vilkår og betingelser, og du skal indsende dokumentation for købet til sælgeren eller til en autoriseret reparatør.

Vilkår og betingelser for Black & Decker 2 års garanti og placeringen af dit nærmeste autoriserede serviceværksted kan fås på internettet på [www.2helpU.com](http://www.2helpU.com), eller ved at kontakte dit lokale Black & Decker kontor på den adresse, der er angivet i denne vejledning.

Besøg venligst vores websted [www.blackanddecker.co.uk](http://www.blackanddecker.co.uk) for at registrere dit nye Black & Decker produkt og modtage opdateringer om nye produkter og specielle tilbud.

## Käyttötarkoitus

Tämä BLACK+DECKER BDCHD18 -porakone on tarkoitettu ruuvien kiinnittämiseen sekä puun, metallin ja betonin poraamiseen. Tämä työkalu on tarkoitettu vain yksityiskäyttöön.

## Turvallisuusohjeet

## Sähkötyökalujen yleiset turvavaroitukset



**Varoitus! Lue kaikki tämän sähkötyökalun mukana toimitetut varoitukset, käyttöohjeet ja tekniset tiedot.**

Jos kaikkia ohjeita ei noudateta, on olemassa sähköiskun, tulipalon ja/tai vakavan henkilövahingon vaara.

**Säästä kaikki varoitukset ja ohjeet tulevaa käyttöä varten.**

Jäljempänä olevissa varoituksissa käytetyllä käsitteellä "sähkötyökalu" tarkoitetaan verkkokäyttöisiä sähkötyökaluja (verkkojohdolla) ja akkukäyttöisiä sähkötyökaluja (ilman verkkojohdotta).

## 1. Työalueen turvallisuus

- Pidä työskentelyalue puhtaana ja hyvin valaistuna.** Onnettomuuksia sattuu herkemmin epäsiistissä tai huonosti valaistussa ympäristössä.
- Älä käytä sähkötyökalua räjähdyksalttiissa ympäristössä, jossa on palavaa nestettä, kaasua tai pölyä.** Sähkötyökalujen aiheuttamat kipinät voivat sytyttää pölyn tai kaasut.
- Pidä lapset ja sivulliset loitolla sähkötyökalua käyttäessäsi.** Keskittymiskyvyn herpaantuminen voi aiheuttaa hallinnan menettämisen.

## 2. Sähköturvallisuus

- Sähkötyökalun pistokkeen on sovittava pistorasiaan. Älä koskaan tee pistokkeeseen mitään muutoksia. Älä yhdistä maadoitettua sähkötyökalua jatkojohtoon.** Sähköiskun vaara vähenee, jos pistokkeisiin ei tehdä muutoksia ja ne yhdistetään vain niille tarkoitettuihin pistorasioihin.
- Vältä koskettamasta maadoitettuja pintoja, kuten putkia, pattereita, liesiä tai jääkaappeja.** Voit saada sähköiskun, jos kehosi on maadoitettu.
- Älä altista sähkötyökalua sateelle tai kosteudelle.** Sähkötyökaluun menevä vesi lisää sähköiskun vaaraa.
- Älä käsittele virtajohtoa kovakouraisesti. Älä kannata työkaluja sähköjohdosta tai vedä pistoketta pistorasiasta sähköjohdon avulla. Pidä sähköjohto kaukana kuumuudesta, öljystä, terävistä reunoista tai liikkuvista osista.** Vaurioituneet tai soikeutuneet johdot lisäävät sähköiskun vaaraa.
- Käyttäessäsi sähkötyökalua ulkona käytä ainoastaan ulkokäyttöön soveltuvaa jatkojohtoa.** Ulkokäyttöön tarkoitettujen sähköjohdon käyttäminen vähentää sähköiskun vaaraa.
- Jos sähkötyökalua on välttämättä käytettävä kosteassa paikassa, käytä jäännösvirtalaitteella (RCD) suojattua virtälähdettä.** Tämä vähentää sähköiskun vaaraa.

### 3. Henkilöturvallisuus

- a. **Keskity työskentelyysi ja noudata tervettä järkeä käyttäessäsi sähkötyökaluja. Älä käytä tätä työkalua ollessasi väsynyt tai alkoholin, huumeiden tai lääkkeiden vaikutuksen alaisena.** Keskittymisen herpaantuminen hetkeksikin sähkötyökaluja käytettäessä voi aiheuttaa vakavan henkilövahingon.
- b. **Käytä henkilökohtaisia suojavarusteita. Käytä aina suojalaseja.** Hengityssuojaimen, liukumattomien turvajalkineiden, kypärän ja kuulonsuojaimen käyttäminen vähentää henkilövahinkojen vaaraa.
- c. **Vältä tahatonta käynnistämistä. Varmista, että kytkin on OFF-asennossa, ennen kuin liität laitteen virtalähteeseen ja/tai akkuun, nosta laitteen tai kannat sitä.** Sähkötyökulun kantaminen sormi virtakytkimellä lisää onnettomuusvaaraa.
- d. **Irrota mahdollinen säätö- tai kiintoavain, ennen kuin käynnistät sähkötyökulun.** Sähkötyökulun pyöriivään osaan kiinni jäänyt avain voi johtaa loukkaantumiseen.
- e. **Älä kurkota liian kauas. Huolehdi siitä, että sinulla on koko ajan tukeva jalansija ja hyvä tasapaino.** Näin voit hallita sähkötyökaluja paremmin odottamattomissa tilanteissa.
- f. **Käytä tarkoitukseen soveltuvia vaatteita. Älä käytä löysiä vaatteita tai koruja. Pidä hiukset, vaatteet ja kädet loitolla liikkuvista osista.** Löysät vaatteet, korut tai pitkät hiukset voivat tarttua liikkuviin osiin.
- g. **Jos laitteeseen voi kiinnittää pölynkerääjän tai -imurin, tarkista, että se on paikallaan ja että se toimii kunnolla.** Pölyn ottaminen talteen voi vähentää pölyn aiheuttamia vaaroja.
- h. **Vaikka käyttäisit usein työkaluja ja sinulla olisi niistä hyvä tuntemus, älä jätä lukematta työkalun turvallisuusohjeita.** Huolimattomuus voi johtaa vakaviin henkilövahinkoihin jopa sekunnin murto-osassa.

### 4. Sähkötyökälujen käyttö ja hoito

- a. **Älä yliuormita sähkötyökaluja. Valitse käyttötarkoituksen kannalta oikea sähkötyökalu.** Sähkötyökalu toimii paremmin ja turvallisemmin, kun sitä käytetään sille suunniteltuun käyttötarkoitukseen.
- b. **Älä käytä sähkötyökaluja, jota ei voida käynnistää ja pysäyttää virtakytimestä.** Jos sähkötyökaluja ei voi hallita kytkimen avulla, se on vaarallinen ja se on korjattava.
- c. **Katkaise sähkötyökäluista virta ja irrota sen pistoke pistorasiasta tai irrota akku siitä ennen säätämistä, varusteiden vaihtamista tai sähkötyökulun asettamista säilytykseen.** Näin voit vähentää vahingossa käynnistymisen aiheuttaman henkilövahingon vaaraa.
- d. **Säilytä sähkötyökälu poissa lasten ulottuvilta, kun niitä ei käytetä. Älä anna sähkötyökaluja sellaisen henkilön käyttöön, joka ei tunne sitä tai joka ei ole tutustunut sähkötyökäluun käyttöohjeeseen.** Sähkötyökälu ovat vaarallisia kouluttamattomien käyttäjien käsissä.

- e. **Hoida sähkötyökäluasi ja lisävarusteita huolella. Tarkista, että liikkuvat osat toimivat moitteettomasti ja etteivät ne ole puristuksessa. Tarkista myös, ettei työkalussa ei ole murtuneita tai vahingoittuneita osia, jotka saattaisivat vaikuttaa haitallisesti sen toimintaan. Jos havaitset vaurioita, korjauta sähkötyökälu ennen niiden käyttämistä.** Huonosti kunnossapidetyt sähkötyökälu aiheuttavat onnettomuuksia.
- f. **Pidä leikkausterät terävinä ja puhtaina.** Kunnossa pidettyjen leikkaavien teräviä reunoja sisältävien työkalut todennäköisyyksi jumiutua vähenee, ja niitä on helpompi hallita.
- g. **Käytä sähkötyökäluja, tarvikkeita, vaihtotyökäluja jne. näiden ohjeiden mukaisesti. Ota tällöin huomioon työolosuhteet ja suoritettava toimenpide.** Jos sähkötyökäluja käytetään näiden ohjeiden vastaisesti, voi syntyä vaaratilanne.
- h. **Pidä kahvat ja kädensijat kuivina ja puhtaina öljystä ja rasvasta.** Liukkaat kahvat ja kädensijat estävät työkalun turvallisen käsittelyn ja hallinnan odottamattomissa tilanteissa.

### 5. Akkutyökäluun käyttö ja huolto

- a. **Lataa vain valmistajan määrittämällä laturilla.** Laturi, joka on sopiva yhden tyyppiselle akulle, voi aiheuttaa tulipalon vaaran, jos sitä käytetään toisen tyyppisellä akulla.
- b. **Käytä sähkötyökäluissa ainoastaan kyseiseen sähkötyökäluun tarkoitettua akkua.** Muun tyyppisen akun käyttö saattaa johtaa loukkaantumiseen ja tulipaloon.
- c. **Pidä irrallinen akku loitolla metalliesineistä, kuten paperiliittimistä, kolikoista, avaimista, nauloista, ruuveista tai muista pienistä metalliesineistä, jotka voivat aiheuttaa oikosulun akun navoissa.** Kennon pinteiden oikosulku voi aiheuttaa palovammoja tai tulipalon.
- d. **Väärin käytetystä akusta voi vuotaa nestettä. Älä kosketa sitä. Jos nesteen kanssa joutuu kosketuksiin, huuhtelee vedellä. Jos nestettä joutuu silmiin, hakeudu lisäksi lääkärin hoitoon.** Akusta roiskunut neste saattaa aiheuttaa ärsytystä tai palovammoja.
- e. **Akkua tai työkalua ei saa käyttää, jos siinä on vaurioita tai sitä on muunneltu.** Vaurioituneet tai muunnellut akut voivat johtaa odottamattomiin tilanteisiin ja vaarana ovat tulipalo, räjähdys ja henkilövahingot.
- f. **Suojaa akku ja työkalu tulelta ja liian korkeilta lämpötiloilta.** Se voi räjähtää yli 130 °C lämpötilassa.
- g. **Noudata kaikkia latausohjeita. Akkua tai työkalua ei saa ladata ohjeissa määritetystä lämpötilavälistä poikkeavassa lämpötilassa.** Jos akku ladataan virheellisesti tai määritetystä lämpötilavälistä poikkeavassa lämpötilassa, seurauksena voi olla akun vaurioituminen ja tulipalovaara.

### 6. Huolto

- a. **Korjata sähkötyökälu koulutetulla ja ammattitaitoisella henkilöllä ja hyväksy korjauksiin vain alkuperäisiä varaosia.** Tämä varmistaa sähkötyökäluun turvallisuuden.

- b. Älä koskaan huolla vaurioituneita akkuja. Ainoastaan valmistaja tai valtuutetut huoltoliikkeet saavat huoltaa akkuja.

## Sähkötyökalujen lisäturvavaroitukset



**Varoitus!** Porien lisäturvavaroitukset.

- Pidä sähkötyökalusta kiinni eristetyistä tartuntapinnoista, kun suoritat toimenpiteitä, joissa leikkaustarvike voi koskettaa piilotettuja johtoja. Jos leikkaustarvike koskettaa "jännittävää" johtoa, sähkötyökalun paljaat metalliosat "jännittyvät" ja käyttäjä voi saada sähköiskun.
- Käytä iskuporauksella varustettuja kuulosuojaimia. Altistuminen melulle voi heikentää kuuloa.
- Käytä puristimia tai muuta käytännöllistä tapaa kiinnittää ja tukea työkalua vakaalle alustalle. Teoksen pitäminen kädellä tai vartaloa vasten jättää sen epävakaaksi ja voi johtaa hallinnan menettämiseen.
- Tarkista johtojen ja putkien sijainti ennen kiinnikkeiden kiinnittämistä seinin, lattioihin tai kattoon.
- Käyttötarkoituks on kuvattu tässä käyttöohjeessa.
- Muiden kuin tässä käyttöohjeessa suositeltujen lisävarusteiden tai lisälaitteiden käyttö tai toimintojen suorittaminen tällä työkalulla voi aiheuttaa henkilö- ja/tai omaisuusvahinkojen vaaran.

## Turvallisuusohteet pitkiä poranteriä käyttäessä

- Älä koskaan ylitä poranerin määritettyä maksiminopeutta. Suuremmilla nopeuksilla terä voi taipua ja aiheuttaa henkilövahinkoja, jos sen annetaan pyöriä vapaasti työstökappaleesta irti.
- Aloita poraus aina alhaisella nopeudella poranterän koskettaessa työstökappaleeseen. Suuremmilla nopeuksilla terä voi taipua ja aiheuttaa henkilövahinkoja, jos sen annetaan pyöriä vapaasti työstökappaleesta irti.
- Kohdistat terään voimaa vain suorassa linjassa välttämällä liiallista painetta. Terät voivat taipua ja aiheuttaa murtumisen tai hallinnan menetyksen, mikä voi johtaa henkilövahinkoihin.

## Muiden henkilöiden turvallisuus

- Tätä työkalua ei ole tarkoitettu sellaisten henkilöiden käyttöön, joilla on fyysisiä tai älyllisiä rajoitteita tai aistirajoitteita, eikä laitteen toimintaan perehtymättömien henkilöiden käyttöön (lapset mukaan luettuina), paitsi valvonnan alaisina, tai jos he ovat saaneet laitteen käyttöön liittyvää opastusta heidän turvallisuudestaan vastaavalta henkilöltä.
- Lapsia tulee valvoa ja varmistaa, että he eivät leiki laitteella.

## Jäännösriskit

Myös muut kuin turvavaroituksissa mainitut riskit ovat mahdollisia työkalua käytettäessä. Nämä riskit voivat liittyä muun muassa virheelliseen tai pitkäaikaiseen käyttöön.

Tiettyjä jäännösriskejä ei voi välttää, vaikka noudatetaan kaikkia turvämääräyksiä ja käytät turvalaitteita. Näitä ovat:

- Pyöriä tai liikkuvien osien koskettamisen aiheuttamat vahingot.
- Osia, teriä tai lisävarusteita vaihdettaessa aiheutuneet vahingot.
- Työkalun pitkäaikaisen käytön aiheuttamat vahingot. Varmista, että pidät säännöllisesti taukoja työkalun pitkäaikaisen käytön aikana.
- Kuulon heikkeneminen.
- Työkalua käytettäessä (esimerkiksi puuta, erityisesti tammea, pyökkiä ja MDF-levyjä käsiteltäessä) syntyneen pölyn sisäänhengityksen aiheuttamat terveysriskit.

## Tärinä

Teknisissä tiedoissa ja vaatimustenmukaisuusvakuutuksessa ilmoitettu tärinäpäästöarvo on mitattu EN 62841 -standardin testausmenetelmän mukaisesti, ja arvoa voi käyttää työkalujen keskinäiseen vertailuun. Ilmoitettua tärinäpäästöarvoa voi käyttää myös altistumisen alustavaan arviointiin.

**Varoitus!** Sähkötyökalun käytön aikana mitattu todellinen tärinäpäästöarvo voi poiketa ilmoitetusta tärinäpäästöarvosta työkalun käyttötavan mukaan. Tärinäarvo voi olla ilmoitettua tasoa suurempi.

Kun tärinälle altistumista arvioidaan sen määrittämiseksi, mitä direktiivin 2002/44/EY mukaisia turvatoimenpiteitä vaaditaan sähkötyökaluja säännöllisesti käyttävien henkilöiden suojelemiseksi, tärinälle altistumisen arvioinnissa on otettava huomioon todelliset käyttöolosuhteet ja työkalun käyttötavat. Todellisen käytön lisäksi on kiinnitettävä huomiota myös siihen, milloin työkalu on sammutettuna tai se käy tyhjäkäynnillä.

## Työkalun tarrat

Työkaluun on merkitty päivämääräkoodi sekä seuraavat varoitusmerkinnät:



**Varoitus!** Käyttäjän on luettava käyttöohje vahinkojen välttämiseksi.



Älä tuijota toimintavaloa.

## Akku ja laturia koskevat lisäturvallisuusohteet (ei toimiteta työkalun mukana)

### Akut

- Älä koskaan yritä avata mistään syystä.
- Älä anna akun kastua.
- Älä säilytä paristoja tiloissa, joissa lämpötila voi nousta yli 40 °C:een.
- Lataa akku paikassa, jonka lämpötila on vähintään +10 °C ja enintään +40 °C.
- Lataa akku ainoastaan työkalun mukana toimitetulla laturilla.



- Noudata akkujen hävittämisessä Ympäristönsuojelukohdassa esitetyjä ohjeita.



Älä koskaan yritä ladata viallisia akkuja.

## Laturit

- Käytä BLACK+DECKER-laturia vain laitteen mukana toimitetun akun lataamiseen. Muut akut voivat räjähtää ja aiheuttaa henkilövahinkoja tai aineellisia vahinkoja.
- Älä koskaan yritä ladata akkuja, joita ei ole tarkoitettu ladattaviksi.
- Vaihda vialliset johdot välittömästi ehjiin.
- Älä altista laturia vedelle.
- Älä avaa laturia.
- Älä työnnä mitään laturin sisään.



Laturi on tarkoitettu ainoastaan sisäkäyttöön.



Lue käyttöohjeet huolellisesti ennen laitteen käyttöä.

## Sähköturvallisuus



Laturi on kaksoiseristetty, joten erillistä maadoitusta ei tarvita. Tarkista aina, että verkkojännite vastaa arvokilvessä ilmoitettua jännitettä. Älä yritä vaihtaa laturiin tavallista verkkovirran pistoketta.

- Jos virtajohto vahingoittuu, sen vaihtaminen on turvallisuussyistä jätettävä valmistajan tai valtuutetun BLACK+DECKER-huollon tehtäväksi.

## Yleiskuvaus

Tässä työkalussa on joitakin tai kaikki seuraavista ominaisuuksista.

1. Säädettävä nopeuskytkin
2. Eteen-/taaksepäin-liukusäädin
3. Väännön säätörengas
4. Pikaistukka
5. Kaksi nopeutta
6. LED-työvalo
7. Akku
8. Akun vapautuspainike
9. Ruuvimeisselin teräpidike

## Asennus

### Käyttö

**Varoitus!** Anna työkalun käydä omaan tahtiinsa. Älä ylikuormita sitä.

### Akun lataaminen (Kuva A)

Lataa akku ennen ensimmäistä käyttökertaa ja aina, kun se ei enää tuota riittävästi virtaa toimintoihin, jotka aiemmin sujuivat helposti. Akku voi lämmetä ladattaessa. Tämä on normaalia, eikä se ole merkki mistään viasta.

**Varoitus!** Älä lataa akkuja alle 10 °C tai yli 40 °C asteen lämpötilassa. Suositeltava latauslämpötila on 24 °C.

**Huomautus: Laturi ei lataa akkuja, jos akun kennon lämpötila on alle 10 °C tai yli 40 °C.**

**Akku tulee kuitenkin jättää laturiin. Laturi aloittaa lataamisen automaattisesti, kun kennon lämpötila nousee tai laskee riittävästi.**

- Liitä laturi standardiin 230 V / 50 Hz pistorasiaan.
- Liu'uta akku laturiin kuvan A mukaisesti.
- Vihreä LED-merkkivalo vilkkuu käynnissä olevan latauksen merkiksi.
- Kun lataus on valmis, vihreä LED-valo jää palamaan jatkuvasti. Akku on täysin ladattu ja sitä voidaan käyttää heti tai sen voi jättää laturiin.

**Varoitus!** Tulipalovaara. Kun irrotat laturin työkalusta, irrota laturi ensin pistorasiasta ja irrota laturin johto sen jälkeen työkalusta.

### Akun asentaminen ja poistaminen työkalusta (Kuva B)

**Varoitus!** Varmista ennen akun irrottamista tai asentamista, että lukituspainike on lukitussa asennossa virtakytkimen tahattoman käytön estämiseksi.

### Akun asentaminen:

- Aseta akku työkaluun, kunnes kuulet napsahduksen (Kuva B).

### Akun poistaminen työkalusta (Kuva C)

- Paina akun vapautuspainiketta kuvan C mukaisesti ja vedä akku irti työkalusta.

## Käyttöohjeet

### Virtakytkin ja peruutuspainike

- Pora kytetään päälle ja pois päältä vetämällä ja vapauttamalla virtakytkin (1). Mitä enemmän liipaisukytkintä painetaan, sitä suurempi porakoneen nopeus.
- Eteen-/taaksepäin-painike (2) määrää työkalun pyörimissuunnan ja toimii myös lukituspainikkeena.
- Valitse pyörimissuunta eteenpäin vapauttamalla virtakytkin ja painamalla eteen-/taaksepäin-painiketta vasemmalle.
- Valitse pyörimissuunta taaksepäin painamalla eteen-/taaksepäin-painiketta vastakkaiseen suuntaan.

Huomautus: Suunnanvaihtopainikkeen keskiasento lukitsee työkalun off-asentoon. Kun muutat suunnanvaihtopainikkeen asentoa, varmista, että liipaisin on vapautettu.

### Momentin hallinta (Kuva D)

Tässä työkalussa on vääntömomentin säätörengas (3), jolla valitaan toimintatila ja asetetaan vääntömomentti ruuvien kiristämistä varten. Suuret ruuvit ja kovat työstettävät materiaalit vaativat suuremman vääntömomentin kuin pienet ruuvit ja pehmeät työstettävät materiaalit.

- Puuta, metallia ja muovia poratessasi aseta kartio porausasennon symbolin kohdalle.

- Ruuveja vääntäessäsi aseta kartio haluamaasi asentoon. Jos et vielä tiedä oikeaa asentoa, toimi seuraavasti:
- Aseta kartio pienimmän vääntömomentin mukaiseen asentoon.
- Kiristä ensimmäinen ruuvi.
- Jos kytkin luistaa ennen halutun tuloksen saavuttamista, suurena kartion asetusta ja jatka ruuvin kiristämistä. Toista menetelyä, kunnes asetus on oikea. Kiristä muut ruuvit käyttämällä tätä asetusta.

## Huoltovapaa istukka (Kuva E)

**Varoitus!** Varmista ennen lisävarusteiden irrottamista tai asentamista, että lukituspainike on lukitusasennossa virtakytkimen tahattoman käytön estämiseksi.

Poran terän tai muun tarvikkeen asentaminen:

- Tartu yhdellä kädellä istukan (4) takapuoliskoon ja kierrä etupuoliskoa toisella kädellä istukan päästä katsottuna vastapäivään.
- Aseta terä tai muu tarvike kokonaan istukkaan ja kiinnitä se hyvin pitämällä kiinni istukan takaosasta ja kiertämällä istukan etuosaa myötäpäivään istukan päästä katsottuna.

**Varoitus!** Älä kiristä poran terää (tai muuta tarviketta) tarttumalla istukan etuosaan ja kytkemällä työkaluun virta. Lisävarusteiden vaihtaminen tällä tavalla voi vahingoittaa istukkaa tai johtaa tapaturmaan.

## Kaksi nopeutta (Kuva F)

Poran nopeuskytkimen avulla voit vaihtaa vaihteista monipuolisesti. Valitse alhainen nopeus ja suuri vääntömomentti (asento 1) katkaisemalla työkalusta virta ja antamalla sen pysähtyä. Liu'uta nopeuskytkintä (5) pois päin istukasta. Valitse suuri nopeus ja pieni vääntömomentti (asento 2) katkaisemalla työkalusta virta ja antamalla sen pysähtyä.

Liu'uta nopeuskytkintä istukkaan päin.

**Huomautus:** Älä vaihda vaihdetta, kun työkalu on käynnissä. Jos vaihteiden vaihtamisessa on ongelmia, varmista, että nopeuskytkin on työnnetty joko kokonaan eteenpäin tai kokonaan taaksepäin.

## Poraaminen ja ruuvien kiinnittäminen

- Valitse pyörimissuunta eteen- tai taaksepäin eteen-/taaksepäin-liukusäätimellä (2).
- Käynnistä laite painamalla kytkintä (1). Työkalun nopeus määräytyy sen mukaan, kuinka pitkälle kytkintä työnnetään.
- Sammuta laite vapauttamalla kytkin.

## Vinkkejä parhaimman tuloksen saavuttamiseksi

### Poraaminen

- Käytä vain teräviä poran teriä.
- Tue ja kiinnitä työstökappale oikeaoppisesti turvallisuusohjeita noudattaen.
- Tue ja kiinnitä työstökappale oikeaoppisesti turvallisuusohjeita noudattaen.

- Varmista työalueen turvallisuus turvallisuusohjeita noudattaen.
- Käytä poraa erittäin hiljaa kevyellä paineella, kunnes reikä on aloitettu riittävästi poran pitämiseksi aukossa.
- Paina suoraan terän suuntaisesti. Paina tarpeeksi kovaa niin, että terä poraa, mutta älä niin kovaa, että moottori jää kiinni tai terä vääntyy.
- Pitele poraa tiukasti kahdella kädellä niin, ettei se pääse heilumaan.
- ÄLÄ YRITÄ KÄYNNISTÄÄ KIINNI JÄÄNYTTÄ MOOTTORIA UUELLEEN PAINELEMALLA LIIPAISINTA. PORA VOI VAHINGOITTUA.
- Vähennä kiinni jäämisen mahdollisuutta puhkaisuvaiheessa vähentämällä painetta ja poraamalla hitaasti reiän loppupäässä.
- Pidä moottori käynnissä ja vedä terä ulos poratusta reiästä. Tämä estää juuttumista.
- Varmista, että kytkin käynnistää ja sammuttaa poran.

## Poraaminen puuhun

Puuhun voidaan porata reikiä samoilla kieräporan terillä kuin metalliin, tai litteäteräisillä poran terillä. Näiden terien tulisi olla teräviä ja porattaessa ne tulisi vetää ulos usein purujen poistamiseksi urista.

## Poraaminen metalliin

Käytä leikkuujäähdytysnestettä, kun poraat metalleja. Poikkeuksia ovat valurauta ja messinki, joita tulee porata kuivina. Parhaiten toimivia leikkuujäähdytysnesteitä ovat rikitetty leikkuuöljy ja laardiöljy.

## Betonin poraaminen

Betonia poratessasi aseta poraustavan valitsin (3) iskuporauksen asentoon kohdistamalla vastaava symboli merkintään. Työnnä nopeudenvalitsinta (5) työkalun etuosaa kohti (2. vaihde).

## Ruuvien kiinnittäminen

- Käytä aina oikeantyyppistä ja -kokoista ruuvikärkeä.
- Jos ruuvien kiristäminen on hankalaa, kokeile käyttää liukasteena pientä määrää pesunestettä tai saippuaa.
- Pidä aina työkalu ja ruuviavain suorassa linjassa ruuviin nähden.

## Vianetsintä

Ongelma	Mahdollinen syy	Mahdollinen ratkaisu
Laite ei käynnisty.	Akku ei ole latautunut.	Tarkista akun latausvaatimukset.
Akku ei lataudu.	Laturia ei ole kytketty pistorasiaan.  Ympäristölämpötila on liian korkea tai liian alhainen.	Kytke laturi pistorasiaan.  Siirrä laturi ja akku ympäristöön, jonka lämpötila on yli 45 °C (40 °F) tai alle +40,5 °C (105 °F).

Ongelma	Mahdollinen syy	Mahdollinen ratkaisu
Laite sammuu äkinäisesti.	Akun maksimilämpötila on saavutettu. Ei virtaa. (Akun maksimaalista käyttöikää varten akku sammuu tarkoituksella äkinäisesti virran loppuessa).	Anna akun jäähtyä. Aseta laturiin ja anna latautua.

## Huolto

BLACK+DECKER-työkalu on suunniteltu toimimaan av mahdollisimman pitkän aikaa mahdollisimman vähällä huollolla. Oikea käsittely ja säännöllinen puhdistus varmistavat laitteen ongelmattoman toiminnan.

Laturi ei tarvitse säännöllisen puhdistamisen lisäksi mitään muuta huoltoa.

**Varoitus!** Poista akku ennen työkalun huoltamista. Irrota laturi pistorasiasta ennen laturin puhdistamista.

- Puhdista työkalun ja laturin ilma-aukot säännöllisesti pehmeällä harjalla tai kuivalla liinalla.
- Puhdista moottorin kotelo säännöllisesti kostealla rätillä. Älä käytä hankaavia tai liuotinpohjaisia puhdistusaineita.
- Avaa istukka säännöllisesti ja naputele pöly pois sen sisältä.

## Ympäristönsuojelu



Toimita tämä laite erillisröykäseen. Tällä symbolilla merkityt tuotteita ja akkuja ei saa hävittää tavallisen kotitalousjätteen mukana.

Tuotteissa ja akuissa on materiaaleja, jotka voidaan ottaa talteen tai kierrättää uudelleen käyttöä varten. Kierrätä sähkölaitteet ja akut paikallisten määräyksien mukaan. Lisätietoa on saatavilla osoitteessa [www.2helpU.com](http://www.2helpU.com).

## Tekniset tiedot

		BDCHD18
Jännite	V <sub>DC</sub>	18
Kuormittamaton nopeus	Min <sup>-1</sup>	0-400 / 0-1500
Suurin mahdollinen vääntömomentti	Nm	17,5/40
Istukan kapasiteetti	mm	1-10
Suurin mahdollinen porausteho		
Teräs/Puu/betoni	mm	10/25/10
Paino	kg	0,90 (akun kanssa 1,30)

		BL1518	BL2018	BL2518	BL4018
Jännite	V <sub>DC</sub>	18	18	18	18
Teho	Ah	1,5	2,0	2,5	4,0
Tyyppi		Li-Ion	Li-Ion	Li-Ion	Li-Ion

Laturi	S010***400040 SSC-250040**	S018***800100 SSC-200100**	90599854**	BDC2A 90606845
Syöttöjännite	V <sub>AC</sub> 100 - 240	220 - 240	230	230
Lähtöjännite	V <sub>DC</sub> 8 - 20	8 - 20	18	18
Virta	mA 400	1000	1000	2000
Arvioitu latausaika	Tuntia 4 - 10	1,5 - 4	1,5 - 4	0,75 - 2

### Äänenpainetaso, määritetty EN 62841-standardin mukaan:

Äänenpaine (L<sub>pA</sub>) 88 dB(A), epävarmuus (K) 5 dB(A)

Äänitehotaso (L<sub>WA</sub>) 99 dB(A), epävarmuus (K) 5 dB(A)

### Tärinän kokonaisarvot (vektorisumma) standardin EN 62841 mukaisesti:

Iskuporattaessa betonia (a<sub>h, ID</sub>) 13,4 m/s<sup>2</sup>, epävarmuus (K) 1,5 m/s<sup>2</sup>

Porattaessa metallia (a<sub>h, D</sub>) <2,8 m/s<sup>2</sup>, epävarmuus (K) 1,5 m/s<sup>2</sup>

## EY-vaatimustenmukaisuusvakuutus

KONEDIREKTIIVI



BDCHD18 - Pora/ruuvinväännin

Black & Decker ilmoittaa, että tuotteet, jotka on kuvattu kohdassa Tekniset tiedot, täyttävät seuraavien direktiivien vaatimukset:

2006/42/EY, EN62841-1:2015, EN62841-2-1:2018+A11:2019.

Nämä tuotteet täyttävät myös direktiivien 2014/30/EU ja 2011/65/EU vaatimukset. Lisätietoja saa ottamalla yhteyden Black & Deckeriin seuraavassa osoitteessa. Tiedot ovat myös käyttöohjeen takakannessa.

Allekirjoittaja vastaa teknisistä tiedoista ja antaa tämän vakuutuksen seuraavan yhtiön puolesta:

Black & Deckerin puolesta.

*Patrick Diepenbach*

Patrick Diepenbach

Pääjohtaja, Benelux

Black and Decker,

Egide Walschaertsstraat 14-18

2800 Mechelen, Belgia

10/08/2021

## Takuu

Black & Decker on vakuuttanut tuotteidensa korkeasta laadusta ja tarjoaa kuluttajille 24 kuukauden takuun, joka astuu voimaan ostopäivänä. Takuu on lisäys kuluttajan laillisiin oikeuksiin eikä vaikuta niihin. Tämä takuu on voimassa kaikissa EU- ja ETA-maissa sekä Isossa-Britanniassa. Edellytyksenä takuun saamiselle on, että vaade täyttää Black & Deckerin ehdot ja että ostaja toimittaa ostotositteen jälleenmyyjälle tai valtuutetulle huoltoilikeelle.

Black & Deckerin kahden vuoden takuun ehdot ja lähimmän valtuutetun korjauspalvelun yhteystiedot ovat saatavilla osoitteessa [www.2helpU.com](http://www.2helpU.com) tai ottamalla yhteyttä paikalliseen Black & Deckerin toimipisteeseen tässä ohjekirjassa ilmoitettuihin osoitteisiin.

Käy verkkosivuillemme osoitteessa [www.blackanddecker.co.uk](http://www.blackanddecker.co.uk) ja rekisteröi uusi Black & Decker -tuotteesi saadaksesi tietoa uusista tuotteista ja erikoistarjouksista.

(Μετάφραση των πρωτότυπων οδηγιών)

ΕΛΛΗΝΙΚΑ

## Προβλεπόμενη χρήση

Το δράπανό σας BLACK+DECKER BDCHD18 έχει σχεδιαστεί για εφαρμογές βιδώματος και για διάτρηση σε ξύλο, μέταλλο και τοιχοποιία. Αυτό το εργαλείο προορίζεται μόνο για ερασιτεχνική χρήση.

## Οδηγίες ασφαλείας

### Γενικές προειδοποιήσεις ασφαλείας για ηλεκτρικά εργαλεία



**Προειδοποίηση! Διαβάστε όλες τις προειδοποιήσεις ασφαλείας, τις οδηγίες, τις απεικονίσεις και τις προδιαγραφές που συνοδεύουν αυτό το ηλεκτρικό εργαλείο.** Η μη τήρηση οποιασδήποτε από τις οδηγίες που αναφέρονται πιο κάτω μπορεί να έχει ως αποτέλεσμα ηλεκτροπληξία, πυρκαγιά και/ή σοβαρό τραυματισμό.

**Φυλάξτε όλες τις προειδοποιήσεις και τις οδηγίες για μελλοντική αναφορά.** Ο όρος "ηλεκτρικό εργαλείο" που χρησιμοποιείται σε όλες τις παρακάτω προειδοποιήσεις, αναφέρεται είτε σε εργαλείο που λειτουργεί με ρεύμα δικτύου (ρεύματος - με καλώδιο) είτε σε εργαλείο που λειτουργεί με μπαταρία (μπαταρίας - χωρίς καλώδιο).

#### 1. Ασφάλεια χώρου εργασίας

- Διατηρείτε την περιοχή εργασίας καθαρή και καλά φωτισμένη.** Οι ατακτοποιήτοι ή σκοτεινοί χώροι γίνονται αιτίες ατυχημάτων.
- Μη χρησιμοποιείτε ηλεκτρικά εργαλεία σε περιβάλλον όπου υπάρχει κίνδυνος έκρηξης, π.χ. με παρουσία εύφλεκτων υγρών, αερίων ή σκόνης.** Τα ηλεκτρικά εργαλεία παράγουν σπινθήρες που μπορεί να προκαλέσουν ανάφλεξη της σκόνης ή των αναθυμιάσεων.
- Όταν χρησιμοποιείτε ηλεκτρικό εργαλείο κρατάτε μακριά παιδιά και τυχόν άλλα παρευρισκόμενα άτομα.** Παράγοντες που αποσπούν την προσοχή μπορεί να σας κάνουν να χάσετε τον έλεγχο.

#### 2. Ασφαλής χρήση ηλεκτρικού ρεύματος

- Το φως του καλωδίου του ηλεκτρικού εργαλείου πρέπει να ταιριάζει στην αντίστοιχη πρίζα. Σε καμία περίπτωση μην**

**τροποποιήσετε το φως, με κανένα τρόπο. Μη χρησιμοποιείτε φως προσαρμογής με γειωμένα ηλεκτρικά εργαλεία.** Τα φως που δεν έχουν υποστεί τροποποιήσεις και οι κατάλληλες πρίζες μειώνουν τον κίνδυνο ηλεκτροπληξίας.

- Αποφεύγετε την επαφή του σώματος με γειωμένες επιφάνειες όπως σωλήνες, σώματα καλοριφέρ, κουζίνες και ψυγεία.** Υπάρχει αυξημένος κίνδυνος ηλεκτροπληξίας αν το σώμα σας είναι γειωμένο.
- Μην εκθέτε τα ηλεκτρικά εργαλεία σε βροχή ή υγρασία.** Η διείσδυση νερού σε ένα ηλεκτρικό εργαλείο αυξάνει τον κίνδυνο ηλεκτροπληξίας.
- Μην κακομεταχειρίζεστε το καλώδιο. Ποτέ μη χρησιμοποιήσετε το καλώδιο για να μεταφέρετε, να τραβήξετε ή να αποσυνδέσετε από την πρίζα το ηλεκτρικό εργαλείο. Κρατάτε το καλώδιο μακριά από θερμότητα, λάδια, αιχμηρά άκρα ή κινούμενα μέρη.** Τα καλώδια που έχουν υποστεί ζημιά ή είναι μπερδεμένα αυξάνουν τον κίνδυνο ηλεκτροπληξίας.
- Όταν χρησιμοποιείτε το ηλεκτρικό εργαλείο σε εξωτερικούς χώρους, να χρησιμοποιείτε πάντοτε καλώδια επέκτασης κατάλληλα για χρήση σε εξωτερικούς χώρους.** Η χρήση καλωδίου κατάλληλου για εργασία σε εξωτερικούς χώρους μειώνει τον κίνδυνο ηλεκτροπληξίας.
- Εάν είναι αναπόφευκτη η χρήση ηλεκτρικού εργαλείου σε υγρή τοποθεσία, χρησιμοποιήστε μια Διάταξη προστασίας ρεύματος διαρροής (RCD). Η χρήση μιας διάταξης RCD μειώνει τον κίνδυνο ηλεκτροπληξίας.**

#### 3. Προσωπική ασφάλεια

- Όταν χρησιμοποιείτε ηλεκτρικό εργαλείο, να είστε προσεκτικοί, να δίνετε προσοχή στην εργασία που κάνετε και να επιστρατεύετε την κοινή λογική. Μη χρησιμοποιείτε ηλεκτρικό εργαλείο όταν είστε κουρασμένος/η ή υπό την επήρεια ναρκωτικών, οινοπνεύματος ή φαρμακευτικής αγωγής.** Μια στιγμή απροσεξίας κατά τη χρήση ηλεκτρικών εργαλείων μπορεί να προκαλέσει σοβαρό τραυματισμό.
- Χρησιμοποιείτε εξοπλισμό ατομικής προστασίας. Πάντα φοράτε προστασία ματιών.** Ο εξοπλισμός προστασίας, όπως μάσκα κατά της σκόνης, αντιολισθητικά παπούτσια ασφαλείας, κράνος ή προστασία ακοής, όταν χρησιμοποιείται για τις κατάλληλες συνθήκες, θα μειώσει τους τραυματισμούς και τις σωματικές βλάβες.
- Εμποδίστε την ακούσια ενεργοποίηση του εργαλείου. Βεβαιωθείτε ότι ο διακόπτης βρίσκεται στη θέση απενεργοποίησης, πριν συνδέσετε το εργαλείο στην πηγή ρεύματος και/ή τοποθετήσετε το πακέτο μπαταρίας, καθώς και πριν πάρετε στα χέρια σας ή μεταφέρετε το εργαλείο. Η μεταφορά ηλεκτρικών εργαλείων με το δάχτυλο πάνω στο διακόπτη ή η σύνδεση στο ρεύμα ηλεκτρικών εργαλείων με το διακόπτη στη θέση ενεργοποίησης, ενέχει κινδύνους ατυχημάτων.**
- Πριν θέσετε το ηλεκτρικό εργαλείο σε λειτουργία, αφαιρέστε τυχόν εργαλεία ή κλειδιά ρύθμισης. Εάν αφήσετε ένα εργαλείο ή κλειδί πάνω σε κάποιο**

- περιστρεφόμενο εξάρτημα του ηλεκτρικού εργαλείου, μπορεί να προκληθούν τραυματισμοί.
- e. **Μην τεντώνετε υπερβολικά. Διατηρείτε πάντα σταθερή στήριξη στα πόδια σας και καλή ισορροπία.** Έτσι μπορείτε να έχετε καλύτερο έλεγχο του ηλεκτρικού εργαλείου σε μη αναμενόμενες καταστάσεις.
  - f. **Να είστε ενδεδυμένοι κατάλληλα. Μη φοράτε φαρδιά ρούχα ούτε κοσμήματα. Κρατάτε τα μαλλιά, τα ρούχα και τα γάντια σας μακριά από κινούμενα μέρη.** Τα φαρδιά ρούχα, τα κοσμήματα και τα μακριά μαλλιά μπορούν να πιαστούν σε κινούμενα μέρη.
  - g. **Αν παρέχονται διατάξεις για τη σύνδεση εξοπλισμού απομάκρυνσης και συλλογής της σκόνης, να βεβαιώνετε ότι αυτές έχουν συνδεθεί και χρησιμοποιούνται σωστά.** Η χρήση διατάξεων συλλογής της σκόνης μπορεί να μειώσει τους κινδύνους που προέρχονται από τη σκόνη.
  - h. **Μην αφήνετε την εξοικείωση που έχετε αποκτήσει από τη συχνή χρήση εργαλείων να σας επιτρέψει να εφησυχάσετε ώστε να αγνοείτε τις αρχές ασφαλούς χρήσης των εργαλείων.** Μια απρόσεκτη ενέργεια μπορεί να προκαλέσει βαρύ τραυματισμό μέσα σε κλάσματα του δευτερολέπτου.
4. **Χρήση και φροντίδα ηλεκτρικών εργαλείων**
    - a. **Μην υπερφορτώνετε το ηλεκτρικό εργαλείο.** Χρησιμοποιείτε το σωστό ηλεκτρικό εργαλείο για την εφαρμογή σας. Το σωστό ηλεκτρικό εργαλείο θα εκτελέσει την εργασία καλύτερα και ασφαλέστερα, με την ένταση χρήσης για την οποία σχεδιάστηκε.
    - b. **Μη χρησιμοποιείτε το ηλεκτρικό εργαλείο αν ο διακόπτης του δεν το ενεργοποιεί και απενεργοποιεί.** Οποιοδήποτε ηλεκτρικό εργαλείο του οποίου η λειτουργία δεν μπορεί να ελεγχθεί με το διακόπτη είναι επικίνδυνο και πρέπει να επισκευαστεί.
    - c. **Αποσυνδέστε το φως από την πηγή ρεύματος και/ή αφαιρέστε το πακέτο μπαταρίας, αν είναι αποσπώμενο, από το ηλεκτρικό εργαλείο πριν πραγματοποιήσετε οποιοδήποτε ρυθμίσεις, αλλάξετε αξεσουάρ ή αποθηκεύσετε ηλεκτρικά εργαλεία.** Τέτοια προληπτικά μέτρα ασφαλείας μειώνουν το κίνδυνο αθέλητης εκκίνησης του ηλεκτρικού εργαλείου.
    - d. **Να φυλάσσετε μακριά από παιδιά τα ηλεκτρικά εργαλεία που δεν χρησιμοποιείτε και μην αφήνετε να χρησιμοποιήσουν ηλεκτρικό εργαλείο άτομα που δεν είναι εξοικειωμένα με αυτό ή άτομα που δεν έχουν διαβάσει αυτές τις οδηγίες χρήσης.** Τα ηλεκτρικά εργαλεία είναι επικίνδυνα στα χέρια μη εκπαιδευμένων χρηστών.
    - e. **Συντηρείτε τα ηλεκτρικά εργαλεία και τα αξεσουάρ.** Ελέγχετε για προβλήματα ευθυγράμμισης ή για μάγκωμα των κινούμενων εξαρτημάτων, θραύση εξαρτημάτων, καθώς και για οποιοδήποτε άλλο πρόβλημα μπορεί να επηρεάσει τη λειτουργία των ηλεκτρικών εργαλείων. Αν το ηλεκτρικό εργαλείο έχει υποστεί ζημιά, φροντίστε να επισκευαστεί πριν το χρησιμοποιήσετε. Η ανεπαρκής συντήρηση των ηλεκτρικών εργαλείων αποτελεί αιτία πολλών ατυχημάτων.
    - f. **Διατηρείτε τα κοπτικά εργαλεία κοφτερά και καθαρά.** Τα κοπτικά εργαλεία με κοφτερές κοπτικές αιχμές που συντηρούνται σωστά έχουν λιγότερες πιθανότητες να μαγκώσουν και ελέγχονται ευκολότερα.
    - g. **Να χρησιμοποιείτε τα ηλεκτρικά εργαλεία, τα αξεσουάρ, τις μύτες εργαλείων κλπ. σύμφωνα με τις παρούσες οδηγίες, λαμβάνοντας υπόψη σας τις συνθήκες εργασίας και την εργασία που θέλετε να εκτελέσετε.** Η χρήση του ηλεκτρικού εργαλείου για εργασίες διαφορετικές από τις προβλεπόμενες θα μπορούσε να οδηγήσει σε επικίνδυνη κατάσταση.
    - h. **Διατηρείτε τις λαβές και τις επιφάνειες κρατήματος στεγνές, καθαρές και απαλλαγμένες από λάδι και γράσο.** Οι ολισθηρές λαβές και επιφάνειες κρατήματος δεν επιτρέπουν τον ασφαλή χειρισμό και έλεγχο του εργαλείου σε μη αναμενόμενες καταστάσεις.
  5. **Χρήση και φροντίδα εργαλείων μπαταρίας**
    - a. **Να επαναφορτίζετε μόνο με το φορτιστή που καθορίζει ο κατασκευαστής.** Ένας φορτιστής που είναι κατάλληλος για ένα τύπο πακέτου μπαταρίας μπορεί να δημιουργήσει κίνδυνο πυρκαγιάς όταν χρησιμοποιείται με άλλο πακέτο μπαταρίας.
    - b. **Χρησιμοποιείτε τα ηλεκτρικά εργαλεία αποκλειστικά και μόνο με τα καθοριζόμενα πακέτα μπαταρίας.** Η χρήση άλλων πακέτων μπαταρίας μπορεί να προκαλέσει κίνδυνο τραυματισμού και πυρκαγιάς.
    - c. **Όταν το πακέτο μπαταρίας δεν χρησιμοποιείται, μην το πλησιάζετε σε μεταλλικά αντικείμενα, όπως συνδετήρες, κέρματα, κλειδιά, καρφιά, βίδες ή άλλα μικρά μεταλλικά αντικείμενα που μπορούν να βραχυκυκλώσουν τους δύο ακροδέκτες του.** Αν βραχυκυκλωθούν οι ακροδέκτες της μπαταρίας, μπορεί να προκληθούν εγκαύματα ή πυρκαγιά.
    - d. **Αν οι μπαταρίες υποστούν κακομεταχείριση, μπορεί να διαρρεύσει υγρό.** Αποφύγετε την επαφή. Αν κατά λάθος έρθετε σε επαφή, ξεπλύνετε με νερό. Σε περίπτωση που το υγρό έλθει σε επαφή με τα μάτια σας, ζητήστε επιπλέον και ιατρική βοήθεια. Το υγρό που εξέρχεται από την μπαταρία μπορεί να προκαλέσει ερεθισμούς ή εγκαύματα.
    - e. **Μη χρησιμοποιήσετε πακέτο μπαταρίας ή εργαλείο που έχει υποστεί ζημιά ή τροποποίηση.** Οι μπαταρίες που έχουν υποστεί ζημιά ή τροποποίηση μπορεί να έχουν απρόβλεπτη συμπεριφορά, με αποτέλεσμα φωτιά, έκρηξη ή κίνδυνο τραυματισμού.
    - f. **Μην εκθέσετε ένα πακέτο μπαταρίας ή εργαλείο σε φωτιά ή υπερβολική θερμοκρασία.** Η έκθεση σε φωτιά ή σε θερμοκρασία πάνω από 130 °C μπορεί να προκαλέσει έκρηξη.
    - g. **Τηρείτε όλες τις οδηγίες φόρτισης και μη φορτίζετε το πακέτο μπαταρίας ή το εργαλείο εκτός των ορίων θερμοκρασίας που ορίζονται στις προδιαγραφές.** Η ακατάλληλη φόρτιση ή η φόρτιση σε θερμοκρασίες εκτός των προβλεπόμενων ορίων μπορεί να προξενήσει ζημιά στην μπαταρία και να αυξήσει τον κίνδυνο φωτιάς.

**6. Σέρβις**

- a. Το σέρβις του ηλεκτρικού σας εργαλείου πρέπει να αναλαμβάνει έμπειρος τεχνικός που θα χρησιμοποιεί μόνο γνήσια ανταλλακτικά. Έτσι θα εξασφαλίσετε τη διατήρηση της ασφάλειας του ηλεκτρικού εργαλείου.
- b. Ποτέ μην κάνετε σέρβις σε πακέτα μπαταρίας που έχουν υποστεί ζημιά. Το σέρβις των πακέτων μπαταρίας πρέπει να γίνεται μόνο από τον κατασκευαστή ή από εξουσιοδοτημένους παρόχους σέρβις.

**Συμπληρωματικές προειδοποιήσεις ασφαλείας για ηλεκτρικά εργαλεία**

**Προειδοποίηση!** Συμπληρωματικές προειδοποιήσεις ασφαλείας για δράπανα.

- Κρατήστε το ηλεκτρικό εργαλείο από μονωμένες επιφάνειες λαβής, όταν εκτελείτε μια εργασία όπου το κοπτικό εξάρτημα μπορεί να έρθει σε επαφή με κρυφή καλωδίωση. Το κοπτικό εξάρτημα που έρχεται σε επαφή με ένα "ζωντανό" καλώδιο μπορεί να κάνει τα εκτεθειμένα μεταλλικά μέρη του ηλεκτρικού εργαλείου "ζωντανά" και θα μπορούσε να προκαλέσει ηλεκτροπληξία στον χειριστή.
- Φοράτε προστατευτικά αυτιών με κρουστικό τρύπημα. Η έκθεση σε θόρυβο μπορεί να προκαλέσει απώλεια ακοής.
- Χρησιμοποιήστε σφινγκήρες ή άλλο πρακτικό τρόπο για να στερεώσετε και να στηρίξετε το τεμάχιο εργασίας σε μια σταθερή πλατφόρμα. Το να κρατάτε την εργασία με το χέρι ή ενάντια στο σώμα σας την αφήνει ασταθή και μπορεί να οδηγήσει σε απώλεια ελέγχου.
- Πριν τοποθετήσετε τους συνδετήρες σε τοίχους, δάπεδα ή οροφές, ελέγξτε τη θέση των καλωδίων και των σωλήνων.
- Η προβλεπόμενη χρήση περιγράφεται σε αυτό το εγχειρίδιο οδηγιών.
- Η χρήση οποιουδήποτε αξεσουάρ ή εξαρτήματος ή η εκτέλεση οποιασδήποτε λειτουργίας με αυτό το εργαλείο, εκτός από αυτές που συνιστώνται σε αυτό το εγχειρίδιο οδηγιών, ενδέχεται να εγκυμονεί κίνδυνο τραυματισμού ή/και υλικών ζημιών.

**Οδηγίες ασφαλείας για την περίπτωση χρήσης τρυπανιών μεγάλου μήκους**

- Ποτέ μη χρησιμοποιείτε ταχύτητα υψηλότερη από τη μέγιστη ονομαστική ταχύτητα του τρυπανιού. Σε υψηλότερες ταχύτητες, το τρυπάνι είναι πιθανό να λυγίσει αν επιτραπεί να περιστραφεί ελεύθερα χωρίς να είναι σε επαφή με το αντικείμενο εργασίας, με αποτέλεσμα τραυματισμό.
- Πάντα να ξεκινάτε τη διάτρηση σε χαμηλή ταχύτητα και με τη μύτη του τρυπανιού σε επαφή με το αντικείμενο εργασίας. Σε υψηλότερες ταχύτητες, το τρυπάνι είναι πιθανό να λυγίσει αν επιτραπεί να περιστραφεί ελεύθερα χωρίς να είναι σε επαφή με το αντικείμενο εργασίας, με αποτέλεσμα τραυματισμό.

- Εφαρμόζετε πίεση μόνο σε ευθεία γραμμή με το τρυπάνι και μην εφαρμόζετε υπερβολική πίεση. Τα τρυπάνια μπορεί να λυγίσουν προκαλώντας θραύση ή απώλεια του ελέγχου με αποτέλεσμα τραυματισμό.

**Ασφάλεια τρίτων**

- Αυτό το εργαλείο δεν προορίζεται για χρήση από άτομα (στα οποία περιλαμβάνονται και τα παιδιά) με μειωμένες φυσικές, αισθητηριακές ή διανοητικές ικανότητες ή άτομα χωρίς εμπειρία και γνώσεις, παρά μόνο εφόσον επιτηρούνται ή τους έχουν δοθεί οδηγίες σχετικά με τη χρήση του εργαλείου από άτομο υπεύθυνο για την ασφάλειά τους.
- Τα παιδιά πρέπει να επιτηρούνται για να διασφαλιστεί ότι δεν παίζουν με τη συσκευή.

**Υπολειπόμενοι κίνδυνοι**

Κατά τη χρήση του εργαλείου μπορεί να δημιουργηθούν πρόσθετοι υπολειπόμενοι κίνδυνοι, οι οποίοι ενδέχεται να μη συμπεριλαμβάνονται στις προειδοποιήσεις ασφαλείας που εσωκλείονται. Αυτοί οι κίνδυνοι μπορεί να προκληθούν από κακή χρήση, παρατεταμένη χρήση κλπ.

Παρά την εφαρμογή των σχετικών κανονισμών ασφαλείας και τη χρήση διατάξεων ασφαλείας, ορισμένοι υπολειπόμενοι κίνδυνοι δεν είναι δυνατό να αποφευχθούν. Σ' αυτούς περιλαμβάνονται:

- Τραυματισμοί από επαφή με περιστρεφόμενα/κινούμενα μέρη,
- Τραυματισμοί κατά την αλλαγή οποιουδήποτε εξαρτημάτων, λεπίδων ή αξεσουάρ.
- Σωματικές βλάβες από παρατεταμένη χρήση του εργαλείου. Όταν χρησιμοποιείτε οποιοδήποτε εργαλείο για παρατεταμένα χρονικά διαστήματα, μην παραλείπετε με κανένα τρόπο να κάνετε τακτικά διαλείμματα.
- Βλάβη της ακοής.
- Κίνδυνοι στην υγεία που προκαλούνται από την εισπνοή σκόνης, όταν χρησιμοποιείτε το εργαλείο (παράδειγμα:- όταν επεξεργάζεστε ξύλο, ειδικά δρυ, οξιά και MDF).

**Κραδασμοί**

Η δηλωμένη τιμή εκπομπής κραδασμών που αναφέρεται στα τεχνικά χαρακτηριστικά και τη δήλωση συμμόρφωσης έχει μετρηθεί σύμφωνα με τυποποιημένη μέθοδο δοκιμής που προβλέπεται από το πρότυπο EN 62841 και μπορεί να χρησιμοποιηθεί για τη σύγκριση ενός εργαλείου με ένα άλλο. Η δηλωμένη τιμή εκπομπής κραδασμών μπορεί επίσης να χρησιμοποιηθεί σε έναν προκαταρκτικό προσδιορισμό της έκθεσης σε κραδασμούς.

**Προειδοποίηση!** Η τιμή εκπομπής κραδασμών κατά την πραγματική χρήση του ηλεκτρικού εργαλείου μπορεί να διαφέρει από τη δηλωμένη τιμή, ανάλογα με τον τρόπο που χρησιμοποιείται το εργαλείο. Το επίπεδο κραδασμών μπορεί να αυξηθεί πάνω από το επίπεδο που έχει δηλωθεί.

Κατά τον προσδιορισμό της έκθεσης σε κραδασμούς για τον καθορισμό των απαιτούμενων μέτρων ασφαλείας σύμφωνα με την οδηγία 2002/44/ΕΚ για την προστασία προσώπων



που χρησιμοποιούν συχνά ηλεκτρικά εργαλεία στην εργασία τους, μια προσεγγιστική εκτίμηση της έκθεσης σε κραδασμούς πρέπει να λαμβάνει υπόψη τις πραγματικές συνθήκες χρήσης και τον τρόπο χρήσης του εργαλείου, συμπεριλαμβανομένων και όλων των επιμέρους τμημάτων του κύκλου εργασίας, όπως πόσες φορές τέθηκε το εργαλείο εκτός λειτουργίας, πότε είναι σε λειτουργία χωρίς φορτίο επιπλέον του χρόνου πίεσης της σκανδάλης.

### Ετικέτες πάνω στο εργαλείο

Το εργαλείο φέρει τα παρακάτω προειδοποιητικά σύμβολα μαζί με τον κωδικό ημερομηνίας:



**Προειδοποίηση!** Για να μειωθεί ο κίνδυνος τραυματισμού, ο χρήστης πρέπει να διαβάσει το εγχειρίδιο οδηγιών.



Μην κοιτάζετε τη λάμπα λειτουργίας.

### Πρόσθετες οδηγίες ασφαλείας για μπαταρίες και φορτιστές (Δεν παρέχονται με το εργαλείο)

#### Μπαταρίες

- Ποτέ μην επιχειρήσετε να τις ανοίξετε, για κανένα λόγο.
- Μην εκθέτετε την μπαταρία σε νερό.
- Μην αποθηκεύετε σε θεσίες όπου η θερμοκρασία ενδέχεται να υπερβεί τους 40 °C.
- Η φόρτιση πρέπει να γίνεται μόνο σε θερμοκρασίες περιβάλλοντος μεταξύ 10 °C και 40 °C.
- Η φόρτιση πρέπει να γίνεται μόνο με το φορτιστή που παρέχεται μαζί με το εργαλείο.
- Κατά την απόρριψη των μπαταριών, να τηρείτε τις οδηγίες που παρέχονται στην ενότητα «Προστασία του περιβάλλοντος».



Μην επιχειρήσετε να φορτίσετε μπαταρίες που έχουν υποστεί ζημιά.

#### Φορτιστές

- Ο φορτιστής BLACK+DECKER πρέπει να χρησιμοποιείται αποκλειστικά και μόνο για τη φόρτιση της μπαταρίας στο εργαλείο που συνόδευε. Άλλες μπαταρίες ενδέχεται να σκάσουν, προκαλώντας τραυματισμό από όξινα και ζημιές.
- Μην επιχειρήσετε ποτέ να φορτίσετε μη επαναφορτιζόμενες μπαταρίες.
- Να φροντίζετε να αντικαθιστάται άμεσα τα καλώδια που έχουν υποστεί ζημιά.
- Μην εκθέτετε το φορτιστή σε νερό.
- Μην ανοίξετε το φορτιστή.
- Μην εισάγετε οποιαδήποτε αντικείμενα μέσα στο φορτιστή.



Ο φορτιστής προορίζεται για χρήση μόνο σε εσωτερικούς χώρους.



Διαβάστε το εγχειρίδιο οδηγιών πριν τη χρήση.

### Ασφαλής χρήση ηλεκτρικού ρεύματος



Ο φορτιστής σας φέρει διπλή μόνωση. Επομένως, δεν απαιτείται αγωγός γείωσης. Ελέγχετε πάντα ότι η τάση ρεύματος δικτύου συμφωνεί με αυτήν που αναγράφεται στην πινακίδα τεχνικών χαρακτηριστικών. Ποτέ μην επιχειρήσετε να αντικαταστήσετε το φορτιστή με κανονικό φως ρεύματος δικτύου.

- Αν το καλώδιο ρεύματος έχει υποστεί φθορά, η αντικατάστασή του πρέπει να γίνει από τον κατασκευαστή ή από ένα εξουσιοδοτημένο κέντρο επισκευών της BLACK+DECKER, ώστε να μην αποτελέσει κίνδυνο.

### Χαρακτηριστικά

Αυτό το εργαλείο διαθέτει μερικά από ή όλα τα παρακάτω χαρακτηριστικά.

1. Διακόπτης ρύθμισης ταχύτητας
2. Συρόμενο κουμπί κίνησης εμπρός/όπισθεν
3. Κολάρο ρύθμισης ροπής
4. Αυτόματο τσοκ
5. Μηχανισμός διπλού εύρους
6. Φως εργασίας LED
7. Μπαταρία
8. Κουμπί απελευθέρωσης μπαταρίας
9. Υποδοχή κατασαβιδιού

### Συναρμολόγηση

#### Χρήση

**Προειδοποίηση!** Αφήστε το εργαλείο να λειτουργήσει με το δικό του ρυθμό. Μην το υπερφορτώνετε.

#### Φόρτιση της μπαταρίας (εικ. Α)

Η μπαταρία πρέπει να φορτιστεί πριν την πρώτη χρήση και όταν δεν μπορεί να παρέχει επαρκή ισχύ σε εργασίες που πριν γίνοντουσαν εύκολα. Η μπαταρία μπορεί να θερμαίνεται κατά τη φόρτιση. Κάτι τέτοιο είναι φυσιολογικό και δεν υποδηλώνει πρόβλημα.

**Προειδοποίηση!** Μη φορτίζετε την μπαταρία σε θερμοκρασίες περιβάλλοντος κάτω από 10 °C ή πάνω από 40 °C. Η συνιστώμενη θερμοκρασία φόρτισης είναι περίπου 24 °C.

**Σημείωση:** Ο φορτιστής δε θα φορτίσει μια μπαταρία με θερμοκρασία κυψέλης κάτω από περίπου 10 °C ή πάνω από 40 °C.

Η μπαταρία θα πρέπει να μείνει στο φορτιστή και αυτός θα αρχίσει να τη φορτίζει αυτόματα μόλις η θερμοκρασία κυψέλης αυξηθεί ή μειωθεί αντίστοιχα.

- Συνδέστε το φορτιστή σε οποιαδήποτε κανονική πρίζα ρεύματος 230 V 50 Hz.
- Τοποθετήστε το πακέτο μπαταρίας στο φορτιστή όπως δείχνει η Εικ. Α.
- Η πράσινη λυχνία LED θα αναβοσβήνει υποδεικνύοντας ότι η μπαταρία φορτίζεται.

- Η ολοκλήρωση της φόρτισης υποδεικνύεται όταν η κόκκινη φωτεινή ένδειξη παραμένει αναμμένη συνεχώς. Το πακέτο μπαταρίας είναι πλήρως φορτισμένο και μπορεί να χρησιμοποιηθεί άμεσα ή να παραμείνει στο φορτιστή.

**Προειδοποίηση!** Κίνδυνος πυρκαγιάς. Όταν αποσυνδέετε το φορτιστή από το εργαλείο, να βεβαιώνετε να αποσυνδέετε πρώτα το φορτιστή από την πρίζα και κατόπιν να αποσυνδέετε το καλώδιο του φορτιστή από το εργαλείο.

### Τοποθέτηση και αφαίρεση του πακέτου μπαταρίας από το εργαλείο (Εικ. Β)

**Προειδοποίηση!** Πριν την αφαίρεση ή την τοποθέτηση της μπαταρίας, βεβαιωθείτε ότι έχετε χρησιμοποιήσει το κουμπί ασφάλισης, για να αποφύγετε ενεργοποίηση του διακόπτη.

### Για να εγκαταστήσετε το πακέτο μπαταρίας:

- Εισαγάγετε το πακέτο μπαταρίας στο εργαλείο, έως ότου ακούσετε χαρακτηριστικό ήχο κλικ (Εικ. Β)

### Αφαίρεση του πακέτου μπαταρίας από το εργαλείο (Εικ. C)

- Πατήστε το κουμπί απελευθέρωσης της μπαταρίας όπως δείχνει η Εικ. C και τραβήξτε το πακέτο μπαταρίας έξω από το εργαλείο.

## Οδηγίες χρήσης

### Διακόπτης σκανδάλης και κουμπί αντιστροφής κίνησης

- Ενεργοποιείτε και απενεργοποιείτε το δράπανο πατώντας και αφήνοντας αντίστοιχα το διακόπτη σκανδάλης (1). Όσο πιο πολύ πατάτε το διακόπτη,
- τόσο μεγαλύτερη είναι η ταχύτητα του δράπανου.
- Ένα κουμπί ελέγχου κίνησης εμπρός/όπισθεν (2) καθορίζει την κατεύθυνση κίνησης του εργαλείου και ταυτόχρονα χρησιμοποιεί και ως κουμπί ασφάλισης.
- Για να επιλέξετε περιστροφική κίνηση προς τα εμπρός, απελευθερώστε το διακόπτη σκανδάλης και πιέστε το κουμπί ελέγχου κίνησης εμπρός/όπισθεν προς τα αριστερά.
- Για να επιλέξετε την αντίθετη κατεύθυνση κίνησης, μετακινήστε το κουμπί ελέγχου κίνησης εμπρός/όπισθεν στην αντίθετη κατεύθυνση.

**Σημείωση:** Η μεσαία θέση του κουμπιού ελέγχου ασφαλιζει το εργαλείο στη θέση απενεργοποίησης. Όταν αλλάζετε τη θέση του κουμπιού ελέγχου, να βεβαιώνετε ότι έχει ελευθερωθεί η σκανδάλη.

### Έλεγχος της ροπής (Εικ. D)

Αυτό το εργαλείο είναι εξοπλισμένο με ένα κολάρο (3) για την επιλογή τρόπου λειτουργίας και για τη ρύθμιση της ροπής, όταν σφίγγετε βίδες. Οι μεγάλες βίδες και τα τεμάχια εργασίας από σκληρό υλικό χρειάζονται μεγαλύτερη ρύθμιση ροπής από τις μικρές βίδες και τα τεμάχια εργασίας από μαλακά υλικά.

- Για διάτρηση σε ξύλο, μέταλλο και πλαστικά, ρυθμίστε το κολάρο στη θέση με το σύμβολο της διάτρησης

- Για βίδωμα, ρυθμίστε το κολάρο στην επιθυμητή θέση. Εάν δεν γνωρίζετε ακόμη την κατάλληλη ρύθμιση, συνεχίστε ως εξής:
- Τοποθετήστε το κολάρο στη χαμηλότερη ρύθμιση ροπής.
- Σφίξτε την πρώτη βίδα.
- Αν ο συμπλέκτης αποσυμπλέκεται πριν επιτύχετε το επιθυμητό αποτέλεσμα, αυξήστε τη ρύθμιση του κολάρου και συνεχίστε να σφίγγετε τη βίδα. Επαναλάβετε μέχρι να επιτύχετε τη σωστή ρύθμιση. Χρησιμοποιήστε την ίδια ρύθμιση και για τις υπόλοιπες βίδες.

### Αυτόματο τσοκ (Εικ. Ε)

**Προειδοποίηση!** Πριν την αφαίρεση ή την τοποθέτηση της μπαταρίας, βεβαιωθείτε ότι έχετε χρησιμοποιήσει το κουμπί ασφάλισης, για να αποφύγετε ενεργοποίηση του διακόπτη.

Για να τοποθετήσετε ένα τρυπάνι ή άλλο αξεσουάρ:

- Πιάστε το πίσω μισό του τσοκ (4) με το ένα χέρι και χρησιμοποιήστε το άλλο χέρι για να περιστρέψετε το μπροστινό μισό σε αριστερόστροφη κατεύθυνση, όπως το βλέπετε από το άκρο του τσοκ.
- Τοποθετήστε τη μύτη ή άλλο αξεσουάρ τελείως μέσα στο τσοκ και σφίξτε το τσοκ καλά κρατώντας το πίσω μισό του τσοκ και περιστρέφοντας το μπροστινό τμήμα δεξιόστροφα όπως φαίνεται από το άκρο τσοκ.

**Προειδοποίηση!** Μην επιχειρήσετε να σφίξετε τρυπάνια (ή οποιοδήποτε άλλο αξεσουάρ) πιάνοντας το μπροστινό τμήμα του τσοκ και ενεργοποιώντας το εργαλείο. Μπορεί να προκληθεί ζημιά στο τσοκ και τραυματισμός κατά την αλλαγή των αξεσουάρ με αυτόν τον τρόπο.

### Διπλή περιοχή ταχυτήτων (Εικ. F)

Το χαρακτηριστικό διπλής περιοχής του δρανάνου, σας επιτρέπει να αλλάζετε ταχύτητες για μεγαλύτερη ευελιξία χρήσης. Για να επιλέξετε τη ρύθμιση χαμηλής ταχύτητας, υψηλής ροπής (θέση 1), απενεργοποιήστε το εργαλείο και αφήστε το να σταματήσει. Μετακινήστε το κουμπί επιλογής ταχύτητας (5) σε κατεύθυνση αντίθετη του τσοκ. Για να επιλέξετε τη ρύθμιση υψηλής ταχύτητας, χαμηλής ροπής (θέση 2), απενεργοποιήστε το εργαλείο και αφήστε το να σταματήσει. Μετακινήστε το κουμπί επιλογής ταχύτητας προς την κατεύθυνση του τσοκ.

**Σημείωση:** Μην αλλάζετε ταχύτητα με το εργαλείο εν κινήσει. Αν δυσκολεύεστε στην αλλαγή ταχυτήτων, βεβαιωθείτε ότι το κουμπί επιλογής της διπλής περιοχής ταχυτήτων έχει μετακινηθεί είτε τελείως μπροστά είτε τελείως πίσω.

### Διάτρηση/βίδωμα

- Επιλέξετε περιστροφική κίνηση προς τα εμπρός ή πίσω χρησιμοποιώντας το συρόμενο κουμπί κίνησης εμπρός/όπισθεν (2).
- Για να ενεργοποιήσετε το εργαλείο, πιέστε το διακόπτη (1). Η ταχύτητα λειτουργίας του εργαλείου εξαρτάται από το πόσο πιέζετε το διακόπτη.
- Για να απενεργοποιήσετε το εργαλείο, ελευθερώστε το διακόπτη.

## Συμβουλές για βέλτιστη χρήση

### Διάρθρωση

- Χρησιμοποιείτε αιχμηρά τρυπάνια και μόνο.
- Υποστηρίζετε και στερεώνετε σωστά το τεμάχιο εργασίας, όπως υποδεικνύεται στις οδηγίες ασφαλείας.
- Χρησιμοποιείτε τον κατάλληλο και απαιτούμενο εξοπλισμό ασφαλείας, όπως υποδεικνύεται στις οδηγίες ασφαλείας.
- Προστατεύετε και διατηρείτε σε καλή κατάσταση την περιοχή εργασίας, σύμφωνα με τις Οδηγίες ασφαλείας.
- Ξεκινάτε τη διάρθρωση με πολύ μικρή ταχύτητα, χρησιμοποιώντας μόνο μικρή πίεση, έως ότου ξεκινήσει η σπή και επαρκεί να συγκρατεί το τρυπάνι χωρίς να κινδυνεύει να γλιστρήσει έξω από αυτή.
- Ασκήστε πίεση με τη μύτη του εργαλείου σε ευθεία γραμμή. Ασκήστε όση πίεση χρειάζεται για να μπορεί η μύτη να διατρήσει το αντικείμενο, όχι όμως σε υπερβολικό βαθμό γιατί υπάρχει κίνδυνος να κολλήσει το μοτέρ ή να παραμορφωθεί η μύτη.
- Κρατάτε το τρυπάνι καλά και με τα δύο χέρια ώστε να ελέγχετε την κίνηση συστροφής του.
- **ΑΝ ΤΟ ΔΡΑΠΑΝΟ ΚΟΛΛΗΣΕΙ, ΜΗΝ ΠΑΤΑΤΕ ΚΑΙ ΑΦΗΝΕΤΕ ΤΗ ΣΚΑΝΔΑΛΗ ΠΡΟΣΠΑΘΩΝΤΑΣ ΝΑ ΤΟ ΘΕΣΕΤΕ ΠΑΛΙ ΣΕ ΚΙΝΗΣΗ. ΜΠΟΡΕΙ ΝΑ ΠΡΟΚΛΗΘΕΙ ΖΗΜΙΑ ΣΤΟ ΔΡΑΠΑΝΟ.**
- Ελαχιστοποιήστε το ενδεχόμενο κολλήματος μειώνοντας την πίεση και τρυπώντας αργά στο τελευταίο τμήμα της σπή.
- Αφήστε το μοτέρ να λειτουργεί καθώς βγάξετε το τρυπάνι από μια σπή που μόλις διανοίξατε. Αυτό συμβάλλει στον περιορισμό του κολλήματος.
- Βεβαιωθείτε ότι ο διακόπτης ενεργοποιεί και απενεργοποιεί το δράπανο.

### Διάρθρωση σε ξύλο

Οι σπές στο ξύλο μπορούν να γίνουν με τις ίδιες ελικοειδείς μύτες τρυπανιού που χρησιμοποιούνται μέταλλο ή με επίπεδες μύτες. Αυτές οι μύτες θα πρέπει να είναι αιχμηρές και να τις τραβάτε έξω συχνά κατά τη διάρθρωση ώστε να φεύγουν τα πριονίδια από τις αυλακώσεις τους.

### Διάρθρωση σε μέταλλο

Χρησιμοποιείτε λιπαντικό κοπής κατά τη διάρθρωση μετάλλων. Εξαιρέσεις είναι ο χυτοσίδηρος και ο ορείχαλκος όπου πρέπει να γίνεται ξηρή διάρθρωση. Τα πιο αποτελεσματικά λιπαντικά κοπής είναι το θειωμένο λάδι κοπής και το λαρδί.

### Διάρθρωση σε τοιχοποιία

Για διάρθρωση τοιχοποιίας, θέστε το κολάρο (4) στη θέση διάρθρωσης με κρούση, ευθυγραμμίζοντας το σύμβολο με το σημάδι. Μετακινήστε τον επιλογέα ταχύτητας (5) προς το εμπρός μέρος του εργαλείου (2η ταχύτητα).

### Βίδωμα

- Χρησιμοποιείτε πάντα μύτες κατασαβιδιού του κατάλληλου τύπου και μεγέθους.

- Εάν συναντήσετε δυσκολία κατά τη σύσφιξη βιδών, δοκιμάστε να χρησιμοποιήσετε μικρή ποσότητα υγρού πλυσίματος ή σαπουνιού για λίπανση.
- Πάντοτε να κρατάτε το εργαλείο και τη μύτη κατασαβιδιού σε ευθεία γραμμή με τη βίδα

## Αντιμετώπιση προβλημάτων

Πρόβλημα	Πιθανή αιτία	Πιθανή λύση
Η μονάδα δεν τίθεται σε λειτουργία.	Το πακέτο μπαταρίας δεν είναι φορτισμένο.	Ελέγξτε τις απαιτήσεις φόρτισης του πακέτου μπαταρίας
Το πακέτο μπαταρίας δεν φορτίζεται.	Ο φορτιστής δεν έχει συνδεθεί στην πρίζα.  Η θερμοκρασία αέρα περιβάλλοντος είναι πολύ θερμή ή πολύ ψυχρή.	Συνδέστε το φορτιστή σε πρίζα που λειτουργεί.  Μετακινήστε το φορτιστή και την μπαταρία σε θέση με θερμοκρασία αέρα περιβάλλοντος πάνω από 4,5 °C (40 °F) ή κάτω από 40,5 °C (105 °F)
Η μονάδα σβήνει ξαφνικά.	Το πακέτο μπαταρίας έχει φθάσει στο όριο μέγιστης θερμοκρασίας του.  Εκτός φόρτισης. (Για να μεγιστοποιηθεί η διάρκεια ζωής του, το πακέτο μπαταρίας έχει σχεδιαστεί να απενεργοποιείται άμεσα όταν εξαντληθεί η φόρτίσή του)	Αφήστε το πακέτο μπαταρίας να κρυώσει.  Τοποθετήστε το στο φορτιστή και αφήστε το να φορτιστεί.

## Συντήρηση

Το εργαλείο BLACK+DECKER έχει σχεδιαστεί, έτσι ώστε να λειτουργεί για μεγάλο χρονικό διάστημα με την ελάχιστη δυνατή συντήρηση. Η συνεχής ικανοποιητική λειτουργία εξαρτάται από τη σωστή φροντίδα και τον τακτικό καθαρισμό του εργαλείου. Ο φορτιστής σας δεν απαιτεί άλλη συντήρηση εκτός του τακτικού καθαρισμού.

**Προειδοποίηση!** Προτού πραγματοποιήσετε κάποια συντήρηση στο εργαλείο, αφαιρέστε την μπαταρία από το εργαλείο. Πριν καθαρίσετε το φορτιστή, αποσυνδέστε τον από την πρίζα.

- Να καθαρίζετε τακτικά τις εγχοπές εξαιρισμού του εργαλείου και του φορτιστή με μια μαλακή βούρτσα ή με ένα στεγνό πανί.
- Να καθαρίζετε τακτικά το περιβλήμα του μοτέρ με ένα υγρό πανί.
- Μη χρησιμοποιείτε καθαριστικά που χαράζουν ή περιέχουν διαλύτες.
- Να ανοίγετε τακτικά το τσοκ και να το χτυπάτε ελαφρά για να αφαιρείται η σκόνη από το εσωτερικό του.

## Προστασία του περιβάλλοντος



Χωριστή συλλογή. Τα προϊόντα και οι μπαταρίες που επισημαίνονται με αυτό το σύμβολο δεν πρέπει να απορρίπτονται μαζί με τα κανονικά οικιακά απορρίμματα.

Τα προϊόντα και οι μπαταρίες περιέχουν υλικά που μπορούν να ανακτηθούν ή να ανακυκλωθούν, ώστε να μειωθούν οι ανάγκες για πρώτες ύλες. Παρακαλούμε να ανακυκλώνετε τα ηλεκτρικά προϊόντα και τις μπαταρίες σύμφωνα με τους τοπικούς κανονισμούς. Περισσότερες πληροφορίες διατίθενται στον ιστότοπο [www.2helpU.com](http://www.2helpU.com).

## Τεχνικά χαρακτηριστικά

BDCHD18		
Τάση	V <sub>DC</sub>	18
Ταχύτητα χωρίς φορτίο	Min <sup>-1</sup>	0-400 / 0-1500
Μέγ. ροπή	Nm	17,5/40
Μέγεθος τσοκ	mm	1-10
Μέγ. ικανότητα διάτρησης		
Χάλυβας/Ξύλο/Τοιχοποιία	mm	10/25/10
Βάρος	kg	0,90 (με μπαταρία 1,30)

Φορτιστής	S010***400040 SSC-250040**	S018***800100 SSC-200100**	90599854**	BDC2A 90606845
Τάση εισόδου	V <sub>AC</sub> 100 - 240	220 - 240	230	230
Τάση εξόδου	V <sub>DC</sub> 8 - 20	8 - 20	18	18
Ρεύμα	mA 400	1000	1000	2000
Χρόνος φόρτισης περ.	Ωρες 4 - 10	1,5 - 4	1,5 - 4	0,75 - 2

Μπαταρία	BL1518	BL2018	BL2518	BL4018
Τάση	V <sub>DC</sub> 18	18	18	18
Χωρητικότητα	Ah 1,5	2,0	2,5	4,0
Τύπος	Li-Ion	Li-Ion	Li-Ion	Li-Ion

Στάθμη ηχητικής πίεσης σύμφωνα με το EN 62841:
Ηχητική πίεση (L <sub>PA</sub> ) 88 dB(A), αβεβαιότητα (K) 5 dB(A)
Ηχητική ισχύς (L <sub>WA</sub> ) 99 dB(A), αβεβαιότητα (K) 5 dB(A)

Οι συνολικές τιμές δόνησης (διανυσματικό άθροισμα τριών αξόνων) κατά EN 62841:
Κρουστική διάτρηση σε σκυρόδεμα (a <sub>h, ID</sub> ) 13,4 m/s <sup>2</sup> , αβεβαιότητα (K) 1,5 m/s <sup>2</sup>
Διάτρηση σε μέταλλο (a <sub>h, D</sub> ) <2,8 m/s <sup>2</sup> , αβεβαιότητα (K) 1,5 m/s <sup>2</sup>

## Δήλωση συμμόρφωσης EK

ΟΔΗΓΙΑ ΠΕΡΙ ΜΗΧΑΝΗΜΑΤΩΝ



BDCHD18 - Δράπανο, κατασβίδι

Η Black & Decker δηλώνει ότι τα προϊόντα αυτά που περιγράφονται στα «τεχνικά χαρακτηριστικά»

συμμορφώνονται με τα ακόλουθα:

2006/42/EK, EN62841-1:2015, EN62841-2-1:2018+A11:2019.

Αυτά τα προϊόντα συμμορφώνονται επίσης με την οδηγία 2014/30/EE και 2011/65/EE. Για περισσότερες πληροφορίες, επικοινωνήστε με την Black & Decker στην παρακάτω διεύθυνση ή ανατρέξτε στο πίσω μέρος του εγχειριδίου.

Ο κάτωθι υπογεγραμμένος είναι υπεύθυνος για την κατάρτιση του τεχνικού φακέλου και κάνει αυτή τη δήλωση για λογαριασμό της Black & Decker.

*Patrick Diepenbach*

Patrick Diepenbach  
Γενικός Διευθυντής, Μπενελούξ  
Black and Decker,  
Egide Walschaertsstraat 14-18  
2800 Mechelen, Belgium (Βέλγιο)  
10/08/2021

## Εγγύηση

Η Black & Decker είναι σίγουρη για την ποιότητα των προϊόντων της και προσφέρει στους καταναλωτές εγγύηση 24 μηνών από την ημερομηνία αγοράς. Αυτή η εγγύηση συμπληρώνει και με κανένα τρόπο δεν παραβάλλει τα νόμιμα δικαιώματά σας. Η εγγύηση ισχύει εντός της επικράτειας των χωρών μελών της Ευρωπαϊκής Ένωσης και της Ευρωπαϊκής Ζώνης Ελεύθερων Συναλλαγών και στο Ηνωμένο Βασίλειο.

Για να υποβάλετε αξίωση βάσει της εγγύησης, η αξίωση θα πρέπει να είναι σύμφωνη με τους Όρους και προϋποθέσεις της Black & Decker και θα χρειαστεί να υποβάλετε απόδειξη αγοράς στον πωλητή ή σε εξουσιοδοτημένο αντιπρόσωπο επισκευών.

Μπορείτε να αποκτήσετε τους Όρους και προϋποθέσεις της εγγύησης 2 ετών της Black & Decker και να μάθετε την τοποθεσία του πλησιέστερου εξουσιοδοτημένου αντιπροσώπου επισκευών στο Internet στο

[www.2helpU.com](http://www.2helpU.com), ή επικοινωνώντας με το τοπικό σας γραφείο Black & Decker στη διεύθυνση που υποδεικνύεται στο παρόν εγχειρίδιο.

Επισκεφθείτε τον ιστότοπό μας [www.blackanddecker.co.uk](http://www.blackanddecker.co.uk) για να καταχωρίσετε το καινούργιο προϊόν Black & Decker που αποκτήσατε και για να λαμβάνετε ενημερωσεις σχετικά με νέα προϊόντα και ειδικές προσφορές.

<b>België/Belgique/Luxembourg</b> www.blackanddecker.be enduser.be@sbdinc.com	Stanley Black & Decker Belgium BVBA Egide Walschaertsstraat 16 2800 Mechelen	Tel. NL +32 15 47 37 65 Tel. FR +32 15 47 37 66 Fax. +32 15 47 37 99
<b>Danmark</b>	Black & Decker Roskildevej 22 2620 Albertslund	kundeservice.dk@sbdinc.com www.blackanddecker.dk
<b>Deutschland</b> www.blackanddecker.de infobdgc@sbdinc.com	Stanley Black & Decker Deutschland GmbH Black & Decker Str. 40, D - 65510 Idstein	Tel. 06126 21-0 Fax 06126 21-2980
<b>Ελλάδα</b> www.blackanddecker.gr greece.service@sbdinc.com	Stanley Black & Decker (ΕΛΛΑΣ) Ε.Π.Ε ΓΡΑΦΕΙΑ: Σπύρου 7 & Βουλιαγμένης 166 74 Γλυφάδα - Αθήνα	Τηλ. 210-8981616 Φαξ 210-8983570
<b>SERVICE:</b>	Ημερος Τόπος 2 -Χάνι Αδάμ 193 00 Ασπρόπυργος - Αθήνα	Τηλ. Service 210-8985208 Φαξ 210-5597598
<b>España</b> www.blackanddecker.es respuesta.posventa@sbdinc.com	Stanley Black & Decker Ibérica, S.C.A. Parc de Negocis "Mas Blau" Edificio Muntadas, c/Bergadá, 1, Of. A6 08820 El Prat de Llobregat (Barcelona)	Tel. 934 797 400 Fax 934 797 419
<b>France</b> www.blackanddecker.fr	Stanley Black & Decker. 62 chemin de la Bruyère 69570 Dardilly, France	Tel. 04 72 20 39 20 Fax 04 72 20 39 00
<b>Helvetia</b> www.blackanddecker.ch service@rofoag.ch	ROFO AG Gewerbezone Seeblick 3213 Kleinbödingen	Tel. 026-6749393 Fax 026-6749394
<b>Italia</b> www.blackanddecker.it service.italia@sbdinc.com	Stanley Black & Decker Italia Via Energypark 6 20871 Vimercate (MB)	Tel. 039-9590200 Fax 039-9590313 Numero verde 800-213935
<b>Nederland</b> www.blackanddecker.nl enduser.nl@sbdinc.com	Stanley Black & Decker Netherlands BV Holtum Noordweg 35, 6121 RE BORN Postbus 83, 6120 AB BORN	Tel. +31 164 283 065 Fax +31 164 283 200
<b>Norge</b>	Black & Decker Postboks 4613, Nydalen 0405 Oslo	kundeservice.no@sbdinc.com www.blackanddecker.no
<b>Österreich</b> www.blackanddecker.at service.austria@sbdinc.com	Stanley Black & Decker Austria GmbH Oberlaaerstraße 248, A-1230 Wien	Tel. 01 66116-0 Fax 01 66116-614
<b>Portugal</b> www.blackanddecker.pt resposta.posvenda@sbdinc.com	Black & Decker Limited SARL Quinta da Fonte - Edifício Q55 D. Diniz Rua dos Malhões, 2 e 2A - Piso 2 Esquerdo 2770 - 071 Paço de Arcos	Tel. 214667500 Fax 214667580
<b>Suomi</b>	Black & Decker PL47 00521, Helsinki	asiakaspalvelu.fi@sbdinc.com www.blackanddecker.fi
<b>Sverige</b>	Black & Decker AB Box 94, 431 22 Mölndal	kundservice.se@sbdinc.com www.blackanddecker.se
<b>Türkiye</b> www.blackanddecker.com.tr	KALE Hirdavat ve Makina A.Ş. Defterdar Mah. Savaklar Cad. No:15 Edirnekapı / Eyüp / İstanbul 34050	Tel. 0212 533 52 55 Fax. 0212 533 10 05
<b>United Kingdom &amp; Republic Of Ireland</b> www.blackanddecker.co.uk emeaservice@sbdinc.com	Black & Decker 270 Bath Road Slough, Berkshire SL1 4DX	Tel. 01753 511234 Fax 01753 512365
<b>Middle East &amp; Africa</b> www.blackanddecker.ae service.mea@sbdinc.com	Black & Decker P.O.Box - 17164 Jebel Ali Free Zone (South), Dubai, UAE	Tel. +971 4 8863030 Fax +971 4 8863333