

EGBHP146
EGBHP148
EGBHP188
EGBHP1881

www.blackanddecker.com

EN

FR

PT

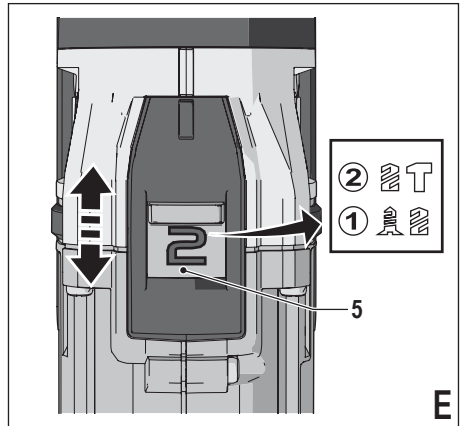
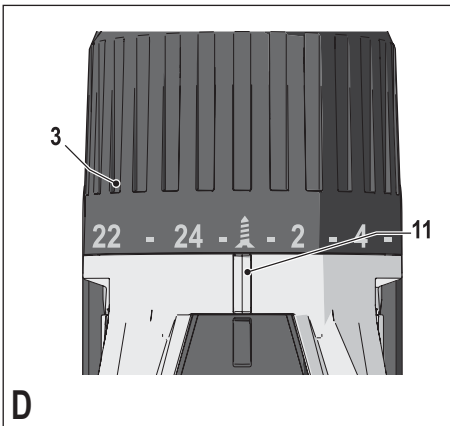
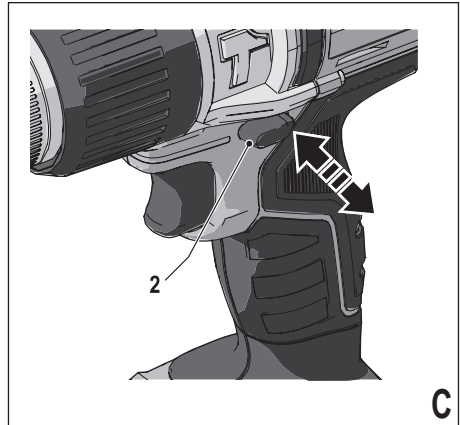
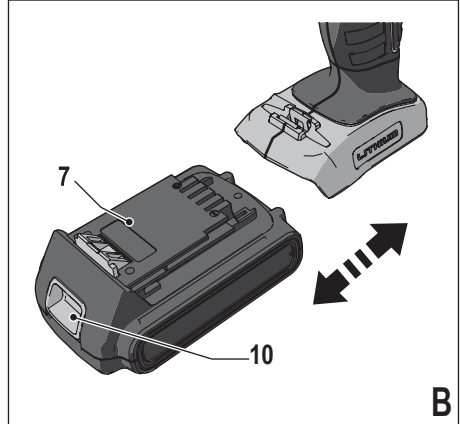
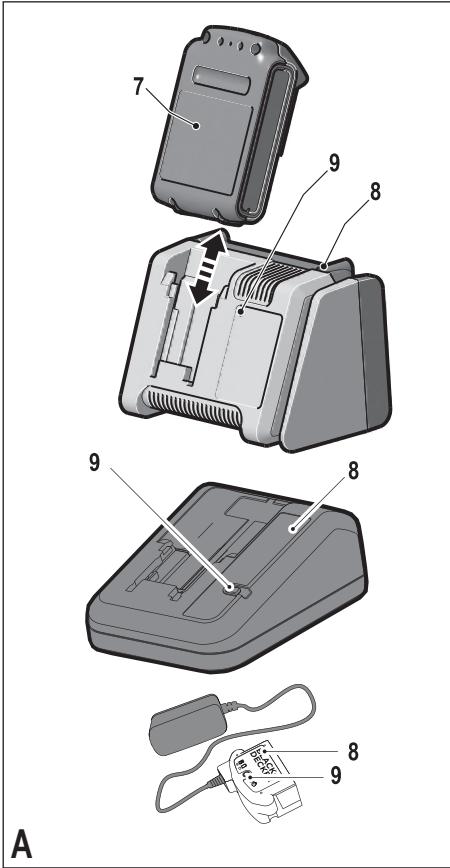
RU

TR

UA

AR





Intended use

Your BLACK+DECKER drill/screwdriver has been designed for screwdriving applications and for drilling in wood, metal, plastics and soft masonry. This tool is intended for consumer use only.

Safety instructions

General power tool safety warnings



Warning! Read all safety warnings and all instructions. Failure to follow the warnings and instructions listed below may result in electric shock, fire and/or serious injury.

Save all warnings and instructions for future reference. The term "power tool" in all of the warnings listed below refers to your mains operated (corded) power tool or battery operated (cordless) power tool.

1. Work area safety

- a. **Keep work area clean and well lit.**
Cluttered or dark areas invite accidents.
- b. **Do not operate power tools in explosive atmospheres, such as in the presence of flammable liquids, gases or dust.** Power tools create sparks which may ignite the dust or fumes.
- c. **Keep children and bystanders away while operating a power tool.**
Distractions can cause you to lose control.


2. Electrical safety

- a. **Power tool plugs must match the outlet. Never modify the plug in any way. Do not use any adapter plugs with earthed (grounded) power tools.** Unmodified plugs and matching outlets will reduce risk of electric shock.
- b. **Avoid body contact with earthed or grounded surfaces such as pipes, radiators, ranges and refrigerators.**
There is an increased risk of electric shock if your body is earthed or grounded.
- c. **Do not expose power tools to rain or wet conditions.** Water entering a power tool will increase the risk of electric shock.

- d. **Do not abuse the cord. Never use the cord for carrying, pulling or unplugging the power tool. Keep cord away from heat, oil, sharp edges or moving parts.**
Damaged or entangled cords increase the risk of electric shock.
- e. **When operating a power tool outdoors, use an extension cord suitable for outdoor use.** Use of a cord suitable for outdoor use reduces the risk of electric shock.
- f. **If operating a power tool in a damp location is unavoidable, use a residual current device (RCD) protected supply.** Use of an RCD reduces the risk of electric shock.

3. Personal safety

- a. **Stay alert, watch what you are doing and use common sense when operating a power tool. Do not use a power tool while you are tired or under the influence of drugs, alcohol or medication.** A moment of inattention while operating power tools may result in serious personal injury.
- b. **Use personal protective equipment. Always wear eye protection.** Protective equipment such as dust mask, non-skid safety shoes, hard hat, or hearing protection used for appropriate conditions will reduce personal injuries.
- c. **Prevent unintentional starting. Ensure the switch is in the off-position before connecting to power source and/or battery pack, picking up or carrying the tool.** Carrying power tools with your finger on the switch or energising power tools that have the switch on invites accidents.
- d. **Remove any adjusting key or wrench before turning the power tool on.** A wrench or a key left attached to a rotating part of the power tool may result in personal injury.
- e. **Do not overreach. Keep proper footing and balance at all times.** This enables better control of the power tool in unexpected situations.

- f. Dress properly. Do not wear loose clothing or jewellery. Keep your hair, clothing and gloves away from moving parts.** Loose clothes, jewellery or long hair can be caught in moving parts.
- g. If devices are provided for the connection of dust extraction and collection facilities, ensure these are connected and properly used.** Use of dust collection can reduce dust-related hazards.
- 4. Power tool use and care**
- a. Do not force the power tool. Use the correct power tool for your application.** The correct power tool will do the job better and safer at the rate for which it was designed.
- b. Do not use the power tool if the switch does not turn it on and off.** Any power tool that cannot be controlled with the switch is dangerous and must be repaired.
- c. Disconnect the plug from the power source and/or the battery pack from the power tool before making any adjustments, changing accessories, or storing power tools.** Such preventive safety measures reduce the risk of starting the power tool accidentally.
- d. Store idle power tools out of the reach of children and do not allow persons unfamiliar with the power tool or these instructions to operate the power tool.** Power tools are dangerous in the hands of untrained users.
- e. Maintain power tools. Check for misalignment or binding of moving parts, breakage of parts and any other condition that may affect the power tools operation. If damaged, have the power tool repaired before use.** Many accidents are caused by poorly maintained power tools.
- f. Keep cutting tools sharp and clean.** Properly maintained cutting tools with sharp cutting edges are less likely to bind and are easier to control.
- g. Use the power tool, accessories and tool bits etc. in accordance with these instructions, taking into account the working conditions and the work to be performed.** Use of the power tool for operations different from those intended could result in a hazardous situation.
- 5. Battery tool use and care**
- a. Recharge only with the charger specified by the manufacturer.** A charger that is suitable for one type of battery pack may create a risk of fire when used with another battery pack.
- b. Use power tools only with specifically designated battery packs.** Use of any other battery packs may create a risk of injury and fire.
- c. When battery pack is not in use, keep it away from other metal objects, like paper clips, coins, keys, nails, screws, or other small metal objects, that can make a connection from one terminal to another.** Shorting the battery terminals together may cause burns or a fire.
- d. Under abusive conditions, liquid may be ejected from the battery; avoid contact. If contact accidentally occurs, flush with water. If liquid contacts eyes, additionally seek medical help.** Liquid ejected from the battery may cause irritation or burns.
- 6. Service**
- a. Have your power tool serviced by a qualified repair person using only identical replacement parts.** This will ensure that the safety of the power tool is maintained.
- Additional power tool safety warnings**
-  **Warning!** Additional safety warnings for drills and impact drills
- **Wear ear protectors with impact drills.** Exposure to noise can cause hearing loss.
 - **Use auxiliary handles supplied with the tool.** Loss of control can cause personal injury.

- **Hold power tool by insulated gripping surfaces when performing an operation where the cutting accessory may contact hidden wiring.** Cutting accessory contacting a "live" wire may make exposed metal parts of the power tool "live" and could give the operator an electric shock.
- **Hold power tool by insulated gripping surfaces when performing an operation where the fastener may contact hidden wiring.** Fasteners contacting a "live" wire may make exposed metal parts of the power tool "live" and could give the operator an electric shock
- **Use clamps or another practical way to secure and support the workpiece to a stable platform.** Holding the work by hand or against your body leaves it unstable and may lead to loss of control.
- Before drilling into walls, floors or ceilings, check for the location of wiring and pipes.
- Avoid touching the tip of a drill bit just after drilling, as it may be hot.
- This tool is not intended for use by persons (including children) with reduced physical, sensory or mental capabilities, or lack of experience and knowledge, unless they have been given supervision or instruction concerning use of the appliance by a person responsible for their safety. Children should be supervised to ensure that they do not play with the appliance.
- The intended use is described in this instruction manual. The use of any accessory or attachment or performance of any operation with this tool other than those recommended in this instruction manual may present a risk of personal injury and/or damage to property.

Vibration

The declared vibration emission values stated in the technical data and the declaration of conformity have been measured in accordance with a standard test method provided by EN 60745 and may be used for comparing one tool with another. The declared vibration emission

value may also be used in a preliminary assessment of exposure.

Warning! The vibration emission value during actual use of the power tool can differ from the declared value depending on the ways in which the tool is used. The vibration level may increase above the level stated.

When assessing vibration exposure to determine safety measures required by 2002/44/EC to protect persons regularly using power tools in employment, an estimation of vibration exposure should consider, the actual conditions of use and the way the tool is used, including taking account of all parts of the operating cycle such as the times when the tool is switched off and when it is running idle in addition to the trigger time.

Residual risks

Additional residual risks may arise when using the tool which may not be included in the enclosed safety warnings. These risks can arise from misuse, prolonged use etc.

Even with the application of the relevant safety regulations and the implementation of safety devices, certain residual risks can not be avoided. These include:

- Injuries caused by touching any rotating/moving parts.
- Injuries caused when changing any parts, blades or accessories.
- Injuries caused by prolonged use of a tool. When using any tool for prolonged periods ensure you take regular breaks.
- Impairment of hearing.
- Health hazards caused by breathing dust developed when using your tool (example:- working with wood, especially oak, beech and MDF.)

Labels on tool

The following pictograms are shown on the tool:



Warning! To reduce the risk of injury, the user must read the instruction manual.

Additional safety instructions for batteries and chargers

Batteries

- Never attempt to open for any reason.
- Do not expose the battery to water.
- Do not store in locations where the temperature may exceed 40 °C.
- Charge only at ambient temperatures between 10 °C and 40 °C.
- Charge only using the charger provided with the tool.
- When disposing of batteries, follow the instructions given in the section "Protecting the environment".



Do not attempt to charge damaged batteries.

Chargers

- Use your BLACK+DECKER charger only to charge the battery in the tool with which it was supplied. Other batteries could burst, causing personal injury and damage.
- Never attempt to charge non-rechargeable batteries.
- Have defective cords replaced immediately.
- Do not expose the charger to water.
- Do not open the charger.
- Do not probe the charger.



The charger is intended for indoor use only.



Read the instruction manual before use.

Electrical safety



Your charger is double insulated; therefore no earth wire is required. Always check that the mains voltage corresponds to the voltage on the rating plate. Never attempt to replace the charger unit with a regular mains plug.

- If the supply cord is damaged, it must be replaced by the manufacturer or an authorised BLACK+DECKER Service Centre in order to avoid a hazard.

Features

This tool includes some or all of the following features.

1. Variable speed switch
2. Forward/reverse slider
3. Mode selector / torque adjustment collar
4. Chuck
5. Speed selector
6. Bit holder
7. Battery
8. Charger
9. Charge indicator

Fig. A

Assembly

Warning! Before assembly, remove the battery from the tool.

Fitting and removing the battery (fig. B)

- To fit the battery (7), line it up with the receptacle on the tool. Slide the battery into the receptacle and push until the battery snaps into place.
- To remove the battery, push the release button (10) while at the same time pulling the battery out of the receptacle.

Fitting and removing a drill bit or screwdriver bit

This tool is fitted with a keyless chuck to allow for an easy exchange of bits.

- Lock the tool by setting the forward/reverse slider (2) to the centre position.
- Open the chuck by turning it (4) with one hand while holding the tool with the other.
- Insert the bit shaft into the chuck.

- Firmly tighten the chuck by turning it (4) with one hand while holding the tool with the other.

This tool is supplied with a double-ended screwdriver bit in the bit holder (6).

- To remove the screwdriver bit from the bit holder, lift the bit from the recess.
- To store the screwdriver bit, firmly push it into the holder.

Use

Warning! Let the tool work at its own pace. Do not overload.

Warning! Before drilling into walls, floors or ceilings, check for the location of wiring and pipes.

Charging the battery (fig. A)

The battery needs to be charged before first use and whenever it fails to produce sufficient power on jobs that were easily done before. The battery may become warm while charging; this is normal and does not indicate a problem.

Warning! Do not charge the battery at ambient temperatures below 10 °C or above 40 °C. Recommended charging temperature: approx. 24 °C.

Note: The charger will not charge a battery if the cell temperature is below approximately 0 °C or above 40 °C. The battery should be left in the charger and the charger will begin to charge automatically when the cell temperature warms up or cools down.

- To charge the battery (7), insert it into the charger (8). The battery will only fit into the charger in one way. Do not force. Be sure that the battery is fully seated in the charger.
- Plug in the charger and switch on at the mains.

The charging indicator (9) will flash green (slowly).

The charge is complete when the charging indicator (9) lights green continuously. The charger and the battery can be left

connected indefinitely with the LED illuminated. The LED will change to flashing green (charging) state as the charger occasionally tops up the battery charge. The charging indicator (9) will be lit as long as the battery is connected to the plugged-in charger.

- Charge discharged batteries within 1 week. Battery life will be greatly diminished if stored in a discharged state.

Leaving the battery in the charger

The charger and battery pack can be left connected with the LED glowing indefinitely. The charger will keep the battery pack fresh and fully charged.

Charger diagnostics

If the charger detects a weak or damaged battery, the charging indicator (9) will flash red at a fast rate. Proceed as follows:

- Re-insert the battery (7).
- If the charging indicators continues flashing red at a fast rate, use a different battery to determine if the charging process works properly.
- If the replaced battery charges correctly, the original battery is defective and should be returned to a service centre for recycling.
- If the new battery gives the same indication as the original battery, take the charger to be tested at an authorised services centre.

Note: It may take as long as 60 minutes to determine that the battery is defective. If the battery is too hot or too cold, the LED will alternately blink red, fast and slow, one flash at each speed and repeat.

Selecting the direction of rotation (fig. C)


For drilling and for tightening screws, use forward (clockwise) rotation. For loosening screws or removing a jammed drill bit, use reverse (counterclockwise) rotation.

- To select forward rotation, push the forward/reverse slider (2) to the left.
- To select reverse rotation, push the forward/reverse slider to the right.


- To lock the tool, set the forward/reverse slider into the centre position.

Selecting the operating mode or torque (fig. D)

This tool is fitted with a collar to select the operating mode and to set the torque for tightening screws. Large screws and hard workpiece materials require a higher torque setting than small screws and soft workpiece materials. The collar has a wide range of settings to suit your application.

- For drilling in wood, metal and plastics, set the collar (3) to the drilling position by aligning the symbol  with the marking (11).
- For screwdriving, set the collar to the desired setting. If you do not yet know the appropriate setting, proceed as follows:
 - Set the collar (3) to the lowest torque setting.
 - Tighten the first screw.
 - If the clutch ratchets before the desired result is achieved, increase the collar setting and continue tightening the screw. Repeat until you reach the correct setting. Use this setting for the remaining screws.

EGBHP148/EGBHP188/EGBHP1881 - Drilling in masonry (fig. D & E)

- For drilling in masonry, set the collar (3) to the hammer drilling position by aligning the symbol  with the marking (11).
- Slide the speed selector (5) towards the front of the tool (2nd gear).

Speed selector (fig. E)

- For drilling in steel and for screwdriving applications, slide the speed selector (5) towards the rear of the tool (1st gear).
- For drilling in materials other than steel, slide the speed selector (5) towards the front of the tool (2nd gear).

Drilling/screwdriving

- Select forward or reverse rotation using the forward/reverse slider (2).
- To switch the tool on, press the switch (1). The tool speed depends on how far you press the switch.
- To switch the tool off, release the switch.

Hints for optimum use

Drilling

- Always apply a light pressure in a straight line with the drill bit.
- Just before the drill tip breaks through the other side of the workpiece, decrease pressure on the tool.
- Use a block of wood to back up workpieces that may splinter.
- Use spade bits when drilling large diameter holes in wood.
- Use HSS drill bits when drilling in metal.
- Use masonry bits when drilling in soft masonry.
- Use a lubricant when drilling metals other than cast iron and brass.
- Make an indentation using a centre punch at the centre of the hole to be drilled in order to improve accuracy.

Screwdriving

- Always use the correct type and size of screwdriver bit.
- If screws are difficult to tighten, try applying a small amount of washing liquid or soap as a lubricant.
- Always hold the tool and screwdriver bit in a straight line with the screw.

Maintenance

Your BLACK+DECKER tool has been designed to operate over a long period of time with a minimum of maintenance. Continuous satisfactory operation depends upon proper tool care and regular cleaning.

Your charger does not require any maintenance apart from regular cleaning.

Warning! Before performing any maintenance on the tool, remove the battery from the tool. Unplug the charger before cleaning it.

- Regularly clean the ventilation slots in your tool and charger using a soft brush or dry cloth.
- Regularly clean the motor housing using a damp cloth.
- Do not use any abrasive or solvent-based cleaner.
- Regularly open the chuck and tap it to remove any dust from the interior.

Batteries



BLACK+DECKER batteries can be recharged many times. At the end of their useful life, discard batteries with due care for our environment:

- Run the battery down completely, then remove it from the tool.
- NiCd, NiMH and Li-Ion batteries are recyclable. Take them to any authorised repair agent or a local recycling station.

Technical data

EGBHP146 (H1)		
Voltage	V _{DC}	14.4
No-load speed	Min ⁻¹	0-350/ 0-1500
Max. torque	Nm	36
Chuck capacity	mm	13
Max Drilling capacity		
Steel/wood	mm	13/38

		EGBHP148 (H1)	EGBHP188 / EGBHP1881 (H1)
Voltage	V _{DC}	14.4	18
No-load speed	Min ⁻¹	0-350/ 0-1500	0-350/ 0-1500
Max. torque	Nm	36	43.7
Chuck capacity	mm	13	13
Max Drilling capacity			
Steel/wood masonry	mm	13/38/13	13/38/13

Charger	906068** (typ. 1)	
Input Voltage	V _{AC}	220-240
Output Voltage	V _{DC}	18
Current	A	2
Approx. charge time	min	60

Charger	905902** (typ. 1)	
Input Voltage	V _{AC}	100-240
Output Voltage	V _{DC}	8-20
Current	A	400
Approx. charge time	min	180-300

Battery		BL1514	BL1518	BL2018
Voltage	V _{DC}	14.4	18	18
Capacity	Ah	1.5	1.5	2.0
Type		Li-Ion	Li-Ion	Li-Ion

Level of sound pressure according to EN 60745:	
Sound pressure (L _{pA})	91.5 dB(A), uncertainty (K) 3 dB(A)
Sound power (L _{WA})	102.5 dB(A), uncertainty (K) 3 dB(A)

Vibration total values (triax vector sum) according to EN 60745:	
Impact drilling into concrete (a _{h, D})	12.8 m/s ² , uncertainty (K) 1.5 m/s ²
Drilling into metal (a _{h, D})	< 2.5 m/s ² , uncertainty (K) 1.5 m/s ²
Screwdriving without impact (a _{h, S})	< 2.5 m/s ² , uncertainty (K) 1.5 m/s ²

EC declaration of conformity

MACHINERY DIRECTIVE



EGBHP146 / EGBHP148
EGBHP188 / EGBHP1881

BLACK+DECKER declares that these products described under "technical data" are in compliance with: 2006/42/EC, EN 60745-1, EN 60745-2-1

These products also comply with Directive 2014/30/EU and 2011/65/EU. For more information, please contact BLACK+DECKER at the following address or refer to the back of the manual.

The undersigned is responsible for compilation of the technical file and makes this declaration on behalf of BLACK+DECKER.

R. Laverick
 Engineering Manager
 BLACK+DECKER Europe, 210 Bath Road,
 Slough,
 Berkshire, SL1 3YD
 United Kingdom
 09.2015

Protecting the environment

Separate collection. This product must not be disposed of with normal household waste.

Should you find one day that your BLACK+DECKER product needs replacement, or if it is of no further use to you, do not dispose of it with household waste. Make this product available for separate collection.



Separate collection of used products and packaging allows materials to be recycled and used again. Reuse of recycled materials helps prevent environmental pollution and reduces the demand for raw materials.

Local regulations may provide for separate collection of electrical products from the household, at municipal waste sites or by the retailer when you purchase a new product.

BLACK+DECKER provides a facility for the collection and recycling of BLACK+DECKER products once they have reached the end of their working life. To take advantage of this service please return your product to any authorised repair agent who will collect them on our behalf.

You can check the location of your nearest authorised repair agent by contacting your local BLACK+DECKER office at the address indicated in this manual. Alternatively, a list of authorised BLACK+DECKER repair agents and full details of our after-sales service and contacts are available on the Internet at: www.2helpU.com.

Guarantee

Black + Decker is confident of the quality of its products and offers an outstanding guarantee. This guarantee statement is in addition to and in no way prejudices your statutory rights.

If a Black + Decker product becomes defective due to faulty materials, workmanship or lack of conformity, within 24 months from the date of purchase, BLACK+DECKER guarantees to replace defective parts, repair products subjected to fair wear and tear or replace such products to make sure of the minimum inconvenience to the customer unless:

- The product has been used for trade, professional or hire purposes.
- The product has been subjected to misuse or neglect.
- The product has sustained damage through foreign objects, substances or accidents.
- Repairs have been attempted by persons other than authorised repair agents or Black + Decker service staff.

To claim on the guarantee, you will need to submit proof of purchase to the seller or an authorised repair agent. You can check the location of your nearest authorised repair agent by contacting your local BLACK+DECKER office at the address indicated in this manual. Alternatively, a list of authorised BLACK+DECKER repair agents and full details of our aftersales service and contacts are available on the Internet at: www.2helpU.com

Utilisation prévue

Votre perceuse / tournevis BLACK+DECKER a été conçue pour la pose de vis et pour le perçage du bois, du métal, des matières plastiques et de la maçonnerie légère. Cet outil a été conçu pour une utilisation exclusivement domestique.

Instructions de sécurité

Consignes de sécurité générales pour les outils électriques



Attention ! Prenez connaissance de tous les avertissements de sécurité et de toutes les instructions. Le non-respect des avertissements et des instructions indiqués ci-dessous peut entraîner une électrocution, un incendie ou de graves blessures.

Conservez tous les avertissements et instructions pour référence future. La notion d'« outil électroportatif » mentionnée par la suite se rapporte à des outils électriques raccordés au secteur (avec câble de raccordement) ou fonctionnant sur piles (sans fil).

1. Sécurité de la zone de travail

- a. **Maintenez la zone de travail propre et bien éclairée.** Un lieu de travail en désordre ou mal éclairé augmente le risque d'accidents.
- b. **N'utilisez pas les outils électroportatifs dans un environnement présentant des risques d'explosion ni en présence de liquides, gaz ou poussières inflammables.** Les outils électroportatifs génèrent des étincelles risquant d'enflammer les poussières ou les vapeurs.
- c. **Tenez les enfants et autres personnes éloignés durant l'utilisation de l'outil électroportatif.** En cas d'inattention, vous risquez de perdre le contrôle sur l'outil.

2. Sécurité électrique

- a. **La fiche de secteur de l'outil électroportatif doit convenir à la prise de courant. Ne modifiez en aucun cas la fiche. N'utilisez pas de fiches d'adaptateur avec des outils ayant une prise de terre.** Les fiches non modifiées et les prises de courant appropriées

réduisent le risque d'électrocution.

- b. **Évitez le contact physique avec des surfaces mises à la terre telles que tuyaux, radiateurs, fours et réfrigérateurs.** Il y a un risque élevé d'électrocution si votre corps est relié à la terre.
- c. **N'exposez pas l'outil électroportatif à la pluie ni à l'humidité.** La pénétration d'eau dans un outil électroportatif augmente le risque d'électrocution.
- d. **Préservez le câble d'alimentation. N'utilisez pas le câble à d'autres fins que celles prévues, notamment pour porter l'outil, l'accrocher voire le débrancher de la prise de courant. Maintenez le câble éloigné des sources de chaleur, des parties grasses, des bords tranchants ou des parties de l'outil en rotation.** Un câble endommagé ou enchevêtré augmente le risque d'électrocution.
- e. **Si vous utilisez l'outil électroportatif à l'extérieur, utilisez une rallonge homologuée pour utilisation à l'air libre.** L'utilisation d'une rallonge électrique homologuée pour les applications extérieures réduit le risque d'électrocution.
- f. **Si l'usage d'un outil dans un emplacement humide est inévitable, utilisez une alimentation protégée par un dispositif à courant résiduel (RCD).** L'usage d'un RCD réduit le risque de choc électrique.

3. Sécurité personnelle

- a. **Restez vigilant, surveillez ce que vous faites. Faites preuve de bon sens quand vous utilisez l'outil électroportatif. N'utilisez pas l'outil lorsque vous êtes fatigué ou après avoir consommé de l'alcool, des drogues voire des médicaments.** Un moment d'inattention lors de l'utilisation de l'outil peut entraîner de graves blessures.
- b. **Utilisez un équipement de protection personnelle. Portez toujours une protection pour les yeux.** Les équipements de protection personnelle tels que les masques anti-poussières, chaussures de sécurité antidérapantes, casques ou protections acoustiques utilisés dans des conditions appropriées réduisent les blessures.

- c. Évitez toute mise en marche involontaire. Vérifiez que l'interrupteur est en position arrêt avant de brancher l'outil au secteur ou au bloc de batteries, de le prendre ou de le porter.** Transporter les outils en avec le doigt sur l'interrupteur ou les brancher avec l'interrupteur en position de marche est une source d'accidents.
- d. Enlevez tout outil ou clé de réglage avant de mettre l'outil en marche.** Une clé ou un outil se trouvant sur une partie en rotation peut causer des blessures.
- e. Adoptez une position confortable. Adoptez une position stable et gardez votre équilibre à tout moment.** Vous contrôlerez mieux l'outil dans des situations inattendues.
- f. Portez des vêtements appropriés. Ne portez pas de vêtements flottants ou de bijoux. N'approchez pas les cheveux, vêtements ou gants des parties des pièces mobiles.** Les vêtements amples, les bijoux ou les cheveux longs peuvent être attrapés dans les pièces en mouvement.
- g. Si des dispositifs servant à aspirer ou à recueillir les poussières doivent être utilisés, vérifiez qu'ils sont correctement raccordés et utilisés.** Le fait d'aspirer la poussière permet de réduire les risques inhérents à la poussière.
- 4. Utilisation des outils électroportatifs et précautions**
- a. Ne surchargez pas l'outil. Utilisez l'outil électroportatif approprié pour le travail à effectuer.** Avec l'outil électroportatif approprié, vous travaillerez mieux et avec plus de sécurité à la vitesse pour laquelle il a été conçu.
- b. N'utilisez pas un outil électroportatif dont l'interrupteur est défectueux.** Un outil électroportatif qui ne peut plus être mis en ou hors fonctionnement est dangereux et doit être réparé.
- c. Déconnectez la prise de la source d'alimentation ou le pack-batterie de l'outil électrique avant tout réglage, changement d'accessoire voire rangement des outils électriques.** Cette mesure de précaution empêche une mise en marche par mégarde.
- d. Rangez les outils électroportatifs hors de portée des enfants. Ne laissez pas les personnes n'étant pas familiarisées avec l'outil ou n'ayant pas lu ces instructions l'utiliser.** Les outils électroportatifs sont dangereux lorsqu'ils sont utilisés par des personnes non initiées.
- e. Prenez soin des outils électroportatifs. Vérifiez que les parties en mouvement fonctionnent correctement et qu'elles ne sont pas coincées ; vérifiez qu'il n'y a pas de pièces cassées ou endommagées susceptibles de nuire au bon fonctionnement de l'outil. S'il est endommagé, faites réparer l'outil avant de l'utiliser.** De nombreux accidents sont dus à des outils électroportatifs mal entretenus.
- f. Maintenez les outils de coupe aiguisés et propres.** Des outils soigneusement entretenus avec des bords tranchants bien aiguisés se coincent moins souvent et peuvent être guidés plus facilement.
- g. Utilisez l'outil électrique, les accessoires et forets, etc. conformément à ces instructions, en tenant compte des conditions de travail et des tâches à effectuer.** L'utilisation des outils électroportatifs à d'autres fins que celles prévues peut entraîner des situations dangereuses.
- 5. Utilisation des outils à batterie et précautions**
- a. Rechargez la batterie uniquement avec le chargeur spécifié par le fabricant.** Un chargeur prévu pour un type de batterie présente un risque d'incendie s'il est utilisé avec un autre type de batterie.
- b. Utilisez les outils électroportatifs uniquement avec les batteries spécifiquement conçues pour eux.** L'utilisation d'autres batteries peut comporter un risque de blessures ou d'incendie.
- c. Quand vous ne l'utilisez pas, rangez la batterie loin d'autres objets métalliques tels que trombones, pièces, clous, vis ou autres pouvant créer une connexion entre deux bornes.** Court-circuiter les bornes du pack-batteries peut provoquer des brûlures ou un incendie.

- d. **Dans des conditions inappropriées, la batterie peut rejeter du liquide. Évitez le contact. Si un contact accidentel se produit, rincez à l'eau. Si le liquide touche les yeux, consultez un médecin.**

Le liquide rejeté par la pile peut causer une irritation cutanée ou des brûlures.

6. Réparations

- a. **Faites réparer votre outil électroportatif uniquement par du personnel qualifié et seulement avec des pièces de rechange d'origine.** Cela garantira le maintien de la sécurité de votre outil.

Avertissements de sécurité supplémentaires pour les outils électriques



Attention ! Avertissements de sécurité supplémentaires pour les perceuses et perceuses à percussion

- **Portez une protection auditive avec les perceuses à percussion.** L'exposition au bruit peut causer des pertes de l'audition.
- **Utilisez les poignées additionnelles fournies avec l'outil.** Une perte de contrôle peut provoquer des blessures.
- **Tenez l'outil uniquement par les surfaces isolées des poignées si l'opération effectuée peut mettre la lame en contact avec des câbles électriques cachés ou son propre cordon électrique.** Le contact de l'accessoire de coupe avec un câble sous tension met les parties métalliques de l'outil sous tension et peut provoquer une électrocution de l'utilisateur.
- **Utilisez des fixations ou tout autre moyen pratique pour fixer et soutenir la pièce à ouvrir sur une plate-forme stable.** Si vous tenez la pièce à la main ou contre votre corps, elle est instable et vous pouvez en perdre le contrôle.
- Avant de percer les murs, les planchers ou les plafonds, vérifiez l'emplacement des fils électriques et des tuyaux.
- Évitez de toucher l'extrémité d'un foret juste après avoir percé car il peut être chaud.
- Cet outil n'est pas destiné à être utilisé

par des personnes (notamment des enfants) présentant des capacités physiques, sensorielles ou mentales limitées voire dépourvues de connaissance et d'expérience, sauf si elles sont supervisées ou ont reçu des instructions pour l'usage de l'appareil par une personne responsable de leur sécurité. Les enfants ne doivent pas jouer avec l'appareil.

- Le domaine d'utilisation de l'outil est décrit dans le présent manuel. L'utilisation d'accessoires ou la réalisation d'opérations avec cet outil autres que ceux recommandés dans le présent manuel peut entraîner un risque de blessure ou de dégâts.

Vibration

Les valeurs des émissions de vibrations mentionnées dans les données techniques et la déclaration de conformité ont été mesurées conformément à la méthode de test normalisée indiquée par EN 60745 et permettent les comparaisons entre outils. Les valeurs des émissions de vibrations peuvent également servir à une évaluation préliminaire de l'exposition.

Attention ! Les valeurs des émissions de vibrations en utilisant réellement l'outil peuvent différer des valeurs déclarées en fonction du mode d'usage de l'outil. Le niveau de vibration peut dépasser le niveau indiqué.

Pour évaluer l'exposition aux vibrations afin de déterminer les mesures de sécurité imposées par 2002/44/CE pour protéger les personnes utilisant régulièrement des outils électriques, une estimation de l'exposition aux vibrations devrait prendre en compte les conditions réelles et le mode d'utilisation de l'outil, notamment l'ensemble du cycle de fonctionnement ainsi l'arrêt de l'outil et son fonctionnement au ralenti, outre le démarrage.

Risques résiduels

L'utilisation d'un outil non mentionné dans les consignes de sécurité données peut entraîner des risques résiduels supplémentaires. Ces risques peuvent survenir si l'outil est mal utilisé, si l'utilisation est prolongée, etc.

Malgré l'application des normes de sécurité correspondantes et la présence de dispositifs de sécurité, les risques résiduels suivants ne peuvent être évités. Ceci comprend :

- Les blessures dues au contact avec une pièce mobile/en rotation.
- Les blessures causées en changeant des pièces, lames ou accessoires.
- Les blessures dues à l'utilisation prolongée d'un outil. Une utilisation prolongée de l'outil nécessite des pauses régulières.
- Déficience auditive.
- Risques pour la santé causés par l'inhalation de poussières produites pendant l'utilisation de l'outil (exemple : travail avec du bois, surtout le chêne, le hêtre et les panneaux en MDF).

Étiquettes apposées sur l'outil

Les pictogrammes suivants sont présents sur l'outil :



Attention ! Afin de réduire les risques de blessures, l'utilisateur doit lire le manuel d'instructions.

Instructions de sécurité supplémentaires pour les batteries et chargeurs

Batteries

- Ne tentez jamais d'ouvrir pour quelque raison que ce soit.
- N'exposez pas la batterie à l'humidité.
- Ne stockez pas dans des endroits où la température peut dépasser 40 °C.
- Chargez uniquement à température ambiante, entre 10 °C et 40 °C.
- Chargez uniquement en utilisant le chargeur fourni avec l'outil.
- Lorsque vous jetez des batteries, suivez les instructions données à la section « Protection de l'environnement ».



Ne chargez pas une batterie endommagée.

Chargeurs

- Utilisez uniquement votre chargeur BLACK+DECKER pour charger les batteries fournies avec votre outil ou de même type et modèle. D'autres batteries pourraient exploser et causer des dommages ou blessures.
- Ne tentez jamais de charger des batteries non rechargeables.
- Remplacez immédiatement les fils électriques défectueux.
- Ne mettez pas le chargeur en contact avec de l'eau.
- N'ouvrez pas le chargeur.
- Ne testez pas le chargeur.



Le chargeur a été conçu pour être utilisé uniquement à l'intérieur.



Lisez le manuel d'instruction avant utilisation.

Sécurité électrique



Votre chargeur est doublement isolé ; par conséquent, aucun câble de masse n'est nécessaire. Vérifiez toujours que la tension du secteur correspond à la tension indiquée sur la plaque d'identification. Ne tentez jamais de remplacer le chargeur par une prise au secteur normale.

- Si le câble d'alimentation est endommagé, il doit être remplacé par le fabricant ou par un centre de réparation agréé BLACK+DECKER afin d'éviter tout accident.

Caractéristiques

Cet outil comprend toutes ou certaines des caractéristiques suivantes.

1. Interrupteur à variateur de vitesse
2. Sélecteur de rotation droite / gauche
3. Sélecteur de mode / bague de réglage du couple
4. Mandrin
5. Sélecteur de vitesse

6. Porte-embout

7. Batterie

Figure A

8. Chargeur

9. Témoin de charge

Assemblage

Attention ! Avant l'assemblage, enlevez la batterie.

Installation et retrait de la batterie (fig. B)

- Pour mettre la batterie en place (7), alignez-la avec le boîtier sur l'outil. Faites glisser la batterie dans le boîtier et poussez pour l'enclencher.
- Pour retirer la batterie, appuyez sur le bouton de déverrouillage (10) tout en retirant la batterie du boîtier.

Installation et retrait d'un foret de perçage ou de vissage

Cet outil est équipé d'un mandrin sans clef pour vous permettre de changer les accessoires plus rapidement.

- Verrouillez l'outil en réglant le sélecteur de rotation droite / gauche (2) sur la position centrale.
- Ouvrez le mandrin en faisant tourner le manchon (4) d'une main tout en tenant l'outil de l'autre main.
- Insérez la tige de l'accessoire dans le mandrin.
- Serrez fermement le mandrin en faisant tourner le manchon (4) d'une main tout en tenant l'outil de l'autre main.

Cet outil est livré avec un double embout de vissage dans le support d'embout (6).

- Pour retirer le double embout de vissage du support d'embout, soulevez l'embout de sa cavité.
- Pour remettre l'embout en place, poussez-le fermement dans le support.

Utilisation

Attention ! Laissez l'outil fonctionner à sa

propre vitesse. Ne le surchargez pas.

Attention ! Avant de percer les murs, les planchers ou les plafonds, vérifiez l'emplacement des fils électriques et des tuyaux.

Charge de la batterie (figure A)

La batterie doit être chargée avant la première utilisation et chaque fois qu'elle semble faible. La batterie peut chauffer pendant la charge. Ceci est un phénomène normal qui ne présente pas un problème.

Attention ! Ne chargez pas la batterie si la température ambiante est inférieure à 4 °C ou supérieure à 40 °C. Température de charge recommandée : environ 24 °C.

Remarque : le chargeur ne chargera pas le bloc-batteries si la température de l'élément est inférieure à environ 0 °C ou supérieure à 40 °C. Le bloc-batteries doit rester dans le chargeur. Le chargeur commence automatiquement la charge quand la température de l'élément se réchauffe ou se refroidit.

- Pour charger la batterie (7), insérez-la dans le chargeur (8). Il n'y a qu'un moyen d'insérer la batterie sur le chargeur. Ne forcez pas. Assurez-vous que la batterie est complètement enclenchée dans le chargeur.
- Branchez le chargeur au secteur.

Le témoin de charge (9) clignote continuellement en vert (lentement).

Le processus est terminé quand le témoin (9) reste allumé continuellement en vert. Le chargeur et la batterie peuvent restés connectés en permanence avec le témoin allumé. Le témoin peut se mettre à clignoter en vert (charge) si le chargeur détecte qu'il faut compléter la charge de la batterie. Le témoin de charge (9) clignote aussi longtemps que la batterie est branchée au chargeur connecté.

- Rechargez les batteries toutes les semaines. Il est préférable de ne pas ranger la batterie si elle est déchargée. La durée de vie de la batterie en serait limitée.

Batterie en place dans le chargeur

Le chargeur et le bloc-batteries peuvent restés connectés en permanence avec le témoin allumé. Le chargeur maintient le bloc-batteries complètement chargé.

Diagnostics du chargeur

Si le chargeur détecte des dommages ou une usure de la batterie, le témoin de charge (9) clignote rapidement en rouge. Procédez comme suit :

- Réinsérez la batterie (7).
- Si les témoins de charge continuent de clignoter rapidement en rouge, déterminez à l'aide d'une autre batterie si le processus de charge fonctionne correctement.
- Si la batterie d'essai se charge correctement, la batterie d'origine est défectueuse et doit être renvoyée au centre de réparation pour être recyclée.
- Si la nouvelle batterie signale le même problème, demandez à un centre de réparation autorisé de tester le chargeur.

Remarque : la détection de la défaillance peut prendre jusqu'à 60 minutes. Si le bloc-batteries est trop chaud ou trop froid, le témoin alterne un clignotement lent, puis un clignotement rapide en rouge et ainsi de suite.

Sélection du sens de rotation (fig. C)


Pour le perçage et le serrage des vis, utilisez la rotation vers l'avant (dans le sens horaire). Pour desserrer les vis ou enlever un foret de perçage coincé, utilisez la rotation vers l'arrière (dans le sens anti-horaire).

- Pour sélectionner la rotation vers l'avant, poussez le sélecteur de rotation droite / gauche (2) vers la gauche.
- Pour sélectionner la rotation vers l'arrière, poussez le sélecteur de rotation droite / gauche vers la droite.
- Pour verrouiller l'outil, réglez le sélecteur de rotation droite / gauche sur la position centrale.


Sélection du mode de fonctionnement (fig. D)

Cet outil est muni d'une bague servant à

réglér le mode de fonctionnement et le couple de serrage des vis. Les grosses vis et les matières d'oeuvre rigides nécessitent un couple de serrage plus grand que les petites vis et les matières d'oeuvre peu rigides. La bague possède une large gamme de réglages de manière à pouvoir répondre à vos besoins.

- Pour le perçage du bois, du métal et du plastique, placez la bague (3) sur la position de perçage en alignant le symbole  avec la marque (11).
- Pour le vissage, réglez la bague à la position désirée. Si vous ne connaissez pas encore le bon réglage, procédez comme suit :
 - Placez la bague (3) au réglage de couple le plus bas.
 - Serrez la première vis.
 - Si l'embrayage fait « clic » avant d'avoir obtenu le résultat désiré, augmentez le réglage de la bague et continuez à serrer la vis. Répétez jusqu'à obtenir le bon réglage. Utilisez ce réglage pour les vis restantes.

EGBHP148/EGBHP188/EGBHP1881 - Perçage de la maçonnerie (fig. D & E)

- Pour le perçage de la maçonnerie, réglez la bague (3) sur la position de perçage au marteau en alignant le symbole  avec la marque (11).
- Glissez le sélecteur de vitesse (5) vers l'avant de l'outil (deuxième vitesse).

Sélecteur de vitesse (fig. E)

- Pour le perçage de l'acier et la pose de vis, glissez le sélecteur de vitesse (5) vers l'arrière de l'outil (première vitesse).
- Pour le perçage de matières autres que l'acier, glissez le sélecteur de vitesse (5) vers l'avant de l'outil (deuxième vitesse).

Perçage / vissage

- Sélectionnez la rotation vers la droite ou la gauche à l'aide du sélecteur de rotation droite / gauche (2).
- u Pour mettre l'outil en marche, appuyez sur l'interrupteur (1). La vitesse de l'outil dépend de la force que vous exercez sur l'interrupteur.

- Relâchez l'interrupteur pour mettre l'outil hors fonction.

Conseils pour une utilisation optimale

Perçage

- Appliquez toujours une pression légère et rectiligne avec le foret de perçage.
- Juste avant que le foret de perçage ne passe de l'autre côté de la pièce, diminuez la pression sur l'outil.
- Utilisez un bloc de bois pour protéger les pièces pouvant se briser.
- Utilisez des mèches à bois lorsque vous percez des trous d'un large diamètre dans du bois.
- Utilisez des forets de perçage HSS lorsque vous percez du métal.
- Utilisez des forets de maçonnerie lorsque vous percez des pièces de maçonnerie légères.
- Utilisez un lubrifiant lorsque vous percez des métaux autres que la fonte et le laiton.
- Faites une entaille à l'aide d'une contrepointe de centrage au centre de l'orifice à percer afin d'améliorer la précision

Vissage

- Utilisez toujours le bon type et la bonne taille d'embout de tournevis.
- Si les vis sont difficiles à serrer, essayez d'appliquer un petit peu de liquide vaisselle ou de savon comme lubrifiant.
- Tenez toujours l'outil et l'embout de tournevis en ligne droite par rapport à la vis.

Entretien

Votre outil BLACK+DECKER a été conçu pour fonctionner pendant longtemps avec un minimum d'entretien. Un fonctionnement continu satisfaisant dépend d'un nettoyage régulier et d'un entretien approprié de l'outil.

Votre chargeur ne nécessite aucun entretien autre qu'un nettoyage régulier.

Attention ! Avant de procéder à tout entretien de l'outil, retirez la batterie. Débranchez le chargeur avant de le nettoyer.

- Nettoyez régulièrement les orifices de ventilation de votre outil et le chargeur à l'aide d'une brosse douce ou d'un chiffon sec.
- Nettoyez régulièrement le carter du moteur à l'aide d'un chiffon humide. N'utilisez pas de produit abrasif ou à base de solvant.
- Ouvrez régulièrement le mandrin et tapotez dessus pour retirer toute poussière à l'intérieur.

Packs-batteries



Les batteries BLACK+DECKER peuvent être rechargées de nombreuses fois. A la fin de leur durée de vie technique, jetez les batteries en respectant l'environnement :

- Videz complètement la batterie, puis retirez-la de l'outil.
- Les batteries NiCd, NiMH et Li-Ion sont recyclables. Apportez-les à votre réparateur agréé ou à un centre de recyclage local.

Caractéristiques techniques

		EGBHP146 (H1)
Tension	V _{cc}	14.4
Aucune vitesse de charge	Min ⁻¹	0-350/ 0-1500
Couple max.	Nm	36
Capacité mandrin	mm	13
Capacité max de perçage		
Acier/bois	mm	13/38

	EGBHP148 (H1)	EGBHP188 / EGBHP1881 (H1)
Tension	V_{cc} 14.4	18
Aucune vitesse de charge	Min ⁻¹ 0-350/ 0-1500	0-350/ 0-1500
Couple max.	Nm 36	43.7
Capacité mandrin	mm 13	13
Capacité max de perçage		
Acier/bois/maçonnerie	mm 13/38/13	13/38/13

Chargeur		906068** (typ. 1)
Tension d'entrée	V_{AC}	220-240
Tension de sortie	V_{DC}	18
Courant	A	2
Charge approximative	min	60

Chargeur		905902** (typ. 1)
Tension d'entrée	V_{AC}	100-240
Tension de sortie	V_{DC}	8-20
Courant	mA	400
Charge approximative	min	180-300

Batterie		BL1114	BL1314	BL2018
Tension	V_{cc}	14.4	18	18
Capacité	Ah	1.5	1.5	2.0
Type		Li-Ion	Li-Ion	Li-Ion

Niveau de pression sonore selon la norme EN 60745 :	
Pression sonore (L_{pA})	91.5 dB(A), incertitude (K) 3 dB(A)
Puissance sonore (L_{WA})	102.5 dB(A), incertitude (K) 3 dB(A)

Valeurs totales des vibrations (somme vectorielle triaxiale) selon la norme EN 60745 :	
Perçage à percussion, béton ($a_{h,D}$)	12.8 m/s ² , incertitude (K) 1,5 m/s ²
Perçage, métal ($a_{h,D}$)	<2,5 m/s ² , incertitude (K) 1,5 m/s ²
Vissage sans impact ($a_{h,s}$)	<2,5 m/s ² , incertitude (K) 1,5 m/s ²

Déclaration de conformité CE

CONSIGNES DE MACHINERIE



EGBHP146 / EGBHP148
EGBHP188 / EGBHP1881

BLACK+DECKER confirme que les produits décrits dans les "Données techniques" sont conformes aux normes : 2006/42/CE, EN 60745-1, EN 60745-2-1

Ces produits sont conformes aux Directives 2014/30/UE et 2011/65/UE. Pour plus de détails, veuillez contacter BLACK+DECKER à l'adresse suivante ou reportez-vous au dos du manuel.

Le soussigné est responsable des données de la fiche technique et fait cette déclaration au nom de BLACK+DECKER.

R. Laverick

Engineering Manager
BLACK+DECKER Europe, 210 Bath Road,
Slough,
Berkshire, SL1 3YD
Royaume-Uni
09.2015

Protection de l'environnement



Collecte séparée. Ce produit ne doit pas être jeté avec les déchets domestiques normaux.

Si vous décidez de remplacer ce produit BLACK+DECKER, ou si vous n'en avez plus l'utilité, ne le jetez pas avec vos déchets domestiques. Rendez-le disponible pour une collecte séparée.



La collecte séparée des produits et emballages usés permet le recyclage des articles afin de les utiliser à nouveau. Le fait d'utiliser à nouveau des produits recyclés permet d'éviter la pollution environnementale et de réduire la demande de matières premières.

Les réglementations locales peuvent permettre la collecte séparée des produits électriques du foyer, dans des déchetteries municipales ou auprès du revendeur vous ayant vendu votre nouveau produit.

BLACK+DECKER fournit un dispositif permettant de collecter et de recycler les produits BLACK+DECKER lorsqu'ils ont atteint la fin de leur cycle de vie. Pour pouvoir profiter de ce service, veuillez retourner votre produit à un réparateur agréé qui se chargera de le collecter pour nous.

Pour connaître l'adresse du réparateur agréé le plus proche de chez vous, contactez le bureau BLACK+DECKER à l'adresse indiquée dans ce manuel. Vous pourrez aussi trouver une liste des réparateurs agréés de BLACK+DECKER et de plus amples détails sur notre service après-vente sur le site Internet à l'adresse suivante : www.2helpU.com

Garantie

BLACK+DECKER vous assure la qualité de ses produits et vous offre une garantie très étendue. Ce certificat de garantie est un document supplémentaire et ne peut en aucun cas se substituer à vos droits légaux.

Si un produit BLACK+DECKER s'avère défectueux en raison de matériaux en mauvais état, d'une erreur humaine, ou d'un manque de conformité dans les 24 mois suivant la date d'achat, BLACK+DECKER garantit le remplacement des pièces défectueuses, la réparation des produits usés ou cassés ou remplace ces produits à la convenance du client, sauf dans les circonstances suivantes :

- Le produit a été utilisé dans un but commercial, professionnel, ou a été loué.
- Le produit a été mal utilisé ou avec négligence.
- Le produit a subi des dommages à cause de corps étrangers, de substances ou d'accidents.
- Des réparations ont été tentées par des techniciens ne faisant pas partie du service technique de BLACK+DECKER.

Pour avoir recours à la garantie, il est nécessaire de fournir une preuve d'achat au vendeur ou à un réparateur agréé. Pour connaître l'adresse du réparateur agréé le plus proche de chez vous, contactez le bureau BLACK+DECKER à l'adresse indiquée dans ce manuel. Vous pourrez aussi trouver une liste de réparateurs agréés de BLACK+DECKER et de plus amples détails sur notre service après-vente sur le site Internet à l'adresse suivante : www.2helpU.com

Utilização

O berbequim/aparafusador sem fio da BLACK+DECKER foi projectado para aparafusar e perfurar madeira, metal, plástico e alvenaria. Esta ferramenta destina-se apenas ao doméstico.

Instruções de segurança

Avisos de segurança gerais para ferramentas eléctricas



Advertência! Leia todos os avisos de segurança e instruções. O não cumprimento dos avisos e

instruções a seguir pode resultar em choque eléctrico, incêndio e/ou graves lesões.

Guarde todos os avisos e instruções para futura referência. O termo "ferramenta eléctrica", utilizado nas advertências que se seguem, refere-se a ferramentas eléctricas com ligação à corrente eléctrica (com fios) ou operadas a pilha (sem fios).

1. Segurança na área de trabalho

a. Mantenha a sua área de trabalho limpa e bem iluminada. Desordem ou áreas de trabalho com fraca iluminação podem causar acidentes.

b. Não utilize ferramentas eléctricas em áreas com risco de explosão, nas quais se encontrem líquidos, gases ou pós inflamáveis. As ferramentas eléctricas produzem faíscas que podem provocar a ignição de pó e vapores.

c. Mantenha crianças e outras pessoas afastadas durante a utilização de ferramentas eléctricas. As distrações podem dar origem a que perca o controlo da ferramenta.

2. Segurança eléctrica

a. A ficha da ferramenta eléctrica deve caber na tomada. A ficha não deve ser modificada de modo algum. Não utilize quaisquer fichas de adaptação com ferramentas eléctricas ligadas à terra. Fichas inalteradas e tomadas adequadas reduzem o risco de choques eléctricos.

b. Evite que o corpo entre em contacto com superfícies ligadas à terra, como por exemplo tubos, radiadores, fogões e

frigoríficos. Há um risco elevado de choques eléctricos, caso o corpo seja ligado à terra.

c. As ferramentas eléctricas não devem ser expostas à chuva nem a humidade. A penetração de água numa ferramenta eléctrica aumenta o risco de choques eléctricos.

d. Manuseie o cabo com cuidado. O cabo da ferramenta não deve ser utilizado para o transporte, para puxar a ferramenta, nem para retirar a ficha da tomada. Mantenha o cabo afastado de calor, óleo, cantos afiados ou peças em movimento. Cabos danificados ou torcidos aumentam o risco de choques eléctricos.

e. Ao trabalhar com a ferramenta eléctrica ao ar livre, use um cabo de extensão apropriado para utilização no exterior. O uso de um cabo apropriado para utilização no exterior reduz o risco de choques eléctricos.

f. Quando a utilização de uma ferramenta eléctrica num local húmido é inevitável, utilize uma fonte de alimentação protegida com um dispositivo de corrente residual (RCD). A utilização de um RCD reduz o risco de choques eléctricos.

3. Segurança pessoal

a. Mantenha-se atento, observe o que está a fazer e seja prudente durante a utilização de uma ferramenta eléctrica. Não use a ferramenta eléctrica se estiver cansado ou sob a influência de drogas, álcool ou medicamentos. Um momento de falta de atenção durante a utilização de ferramentas eléctricas pode causar graves lesões.

b. Use equipamento de protecção pessoal. Utilize sempre óculos de protecção. A utilização de equipamento de protecção pessoal, como por exemplo, máscara de protecção contra pó, sapatos de segurança anti-derrapantes, capacete de segurança ou protecção auricular, de acordo com o tipo e aplicação da ferramenta eléctrica, reduz o risco de lesões.

- c. Evite o accionamento involuntário. Certifique-se de que o interruptor está na posição desligada antes de ligar a ferramenta à corrente eléctrica ou a uma bateria, antes de elevar ou transportar a mesma.** O transporte de ferramentas eléctricas com o dedo no interruptor ou a ligação das mesmas à corrente eléctrica com o interruptor ligado provoca acidentes.
- d. Retire eventuais chaves de ajuste ou chaves de fenda, antes de ligar a ferramenta eléctrica.** Uma chave de fenda ou chave de ajuste, que se encontre numa peça móvel da ferramenta, pode dar origem a lesões.
- e. Não se incline. Mantenha-se sempre bem posicionado e em equilíbrio.** Desta forma, poderá ser mais fácil controlar a ferramenta em situações inesperadas.
- f. Utilize vestuário adequado. Não utilize roupas largas nem jóias. Mantenha o cabelo, roupa e luvas afastados de peças em movimento.** Roupas largas, jóias ou cabelos longos podem ser ficar presos nas peças em movimento.
- g. Se for prevista a montagem de dispositivos de extracção e recolha de pó, assegure-se de que estão ligados e que são utilizados de forma correcta.** A utilização destes dispositivos reduz os riscos provocados por pó.
- 4. Utilização e manutenção da ferramenta eléctrica**
- a. Não sobrecarregue a ferramenta eléctrica. Utilize a ferramenta eléctrica correcta para o trabalho que irá realizar.** A ferramenta correcta realizará o trabalho de forma melhor e mais segura dentro da potência indicada.
- b. Não utilize a ferramenta eléctrica se o interruptor não puder ser ligado nem desligado.** Qualquer ferramenta eléctrica que não possa ser controlada através do interruptor é perigosa e deve ser reparada.
- c. Desligue a ficha da tomada e/ou a bateria da ferramenta eléctrica antes de efectuar quaisquer ajustes, substituir acessórios ou armazenar a ferramenta eléctrica.** Esta medida de segurança evita que a ferramenta eléctrica seja ligada acidentalmente.
- d. Mantenha as ferramentas eléctricas que não estiverem a ser utilizadas fora do alcance de crianças. Não permita que a ferramenta seja utilizada por pessoas não familiarizadas com a mesma ou que não tenham lido estas instruções.** As ferramentas eléctricas são perigosas se utilizadas por pessoas não qualificadas.
- e. Efectue a manutenção das ferramentas eléctricas. Verifique se as peças móveis funcionam perfeitamente e não emperram, bem como se há peças quebradas ou danificadas que possam influenciar o funcionamento da ferramenta. Em caso de danos, solicite a reparação da ferramenta eléctrica antes da sua utilização.** Muitos acidentes têm como causa uma manutenção insuficiente das ferramentas eléctricas.
- f. Mantenha as ferramentas de corte sempre afiadas e limpas.** As ferramentas de corte, sujeitas a uma manutenção adequada e com extremidades de corte afiadas, emperram com menos frequência e podem ser controladas com maior facilidade.
- g. Utilize a ferramenta eléctrica, os acessórios e as brocas da ferramenta etc., de acordo com estas instruções. Considere também as condições de trabalho e o trabalho a ser efectuado.** A utilização da ferramenta eléctrica para outros fins que não os previstos pode resultar em situações perigosas.
- 5. Utilização e manutenção da bateria**
- a. Recarregue apenas com o carregador especificado pelo fabricante.** Um carregador que seja adequado a um tipo de bateria pode causar risco de incêndio quando utilizado noutro tipo de bateria.
- b. Utilize as ferramentas eléctricas apenas com as baterias especificamente designadas.** A utilização de outro tipo de bateria pode causar risco de lesões ou incêndio.

- c. **Quando a bateria não está a ser utilizada, mantenha-a afastada de quaisquer outros objectos metálicos, como clips de papel, moedas, chaves, pregos, parafusos ou outros objectos metálicos pequenos que possam efectuar a ligação de um terminal para outro.** O contacto de ambos os terminais da bateria pode causar queimaduras ou incêndio.
- d. **Em condições abusivas, o líquido pode ser ejectado da pila; evite o contacto. Caso isso aconteça, passe por água. Caso o líquido entre em contacto com os olhos, procure ajuda médica.** O líquido ejectado da pilha pode causar irritação ou queimaduras.
- 6. Reparação**
- a. **A sua ferramenta eléctrica só deve ser reparada por pessoal qualificado e só devem ser colocadas peças sobressalentes originais.** Desta forma, é assegurada a segurança da ferramenta eléctrica.

Avisos de segurança adicionais para ferramentas eléctricas



Advertência! Instruções adicionais de segurança para berbequins e berbequins de percussão

- **Utilize protectores auriculares com os berbequins de percussão.** A exposição ao ruído poderá provocar perda de audição.
- **Utilize os punhos auxiliares fornecidos com a ferramenta.** A perda de controlo da mesma pode provocar ferimentos pessoais.
- **Segure sempre a ferramenta pelas superfícies de pega isoladas ao efectuar trabalhos, durante os quais o acessório de corte possa entrar em contacto com cabos eléctricos escondidos ou com o cabo da ferramenta.** O contacto do acessório de corte com um cabo com tensão coloca as partes metálicas da ferramenta eléctrica sob tensão, resultando em choque eléctrico.

- **Utilize grampos ou outra forma prática de fixar e apoiar a peça de trabalho numa plataforma estável.** Segurar a peça com a mão ou contra o corpo deixa-a instável e poderá resultar em perda de controlo.
- Antes de perfurar paredes, pisos ou tectos, verifique a localização de fios e canos.
- Evite tocar na ponta da broca imediatamente após perfurar, pois esta pode estar quente.
- Esta ferramenta não se destina a ser utilizada por pessoas (incluindo crianças) com reduzidas capacidades físicas, sensoriais ou mentais ou falta de experiência e conhecimentos, a menos que tenham recebido instruções ou sejam supervisionadas relativamente à utilização do aparelho por uma pessoa responsável pela sua segurança. As crianças deverão ser vigiadas para que não mexam no aparelho.
- Neste manual indicam-se as aplicações do acessório. O uso de qualquer acessório ou da própria ferramenta para realizar quaisquer operações além das recomendadas neste manual de instruções pode dar origem a ferimentos e/ou danos em propriedade.

Vibração

Os valores de emissão de vibrações declarados, indicados nos dados técnicos e na declaração de conformidade, foram medidos de acordo com um método de teste padrão providenciado por EN 60745 e podem ser utilizados para efectuar a comparação entre ferramentas. O valor de emissão de vibrações declarado pode também ser utilizado numa avaliação preliminar da exposição.

Advertência! O valor de emissão de vibrações durante a utilização da ferramenta eléctrica pode divergir do valor declarado, dependendo do modo como a ferramenta é utilizada. O nível de vibrações pode aumentar relativamente ao nível indicado.

Durante a avaliação da exposição a fim de determinar as medidas de segurança requeridas pela directiva 2002/44/CE para a protecção de pessoas que utilizam regularmente ferramentas eléctricas nas respectivas profissões, o cálculo da exposição a vibrações deve considerar as condições reais de utilização e a forma como a ferramenta é utilizada, incluindo a consideração de todas as partes do ciclo de utilização como, por exemplo, as vezes que a ferramenta é desligada e o tempo em que se encontra a funcionar sem carga para além do tempo de accionamento.

Riscos residuais

Podem surgir riscos residuais adicionais durante a utilização da ferramenta que poderão não constar nos avisos de segurança incluídos. Estes riscos podem resultar de má utilização, uso prolongado, etc.

Mesmo com a aplicação dos regulamentos de segurança relevantes e com a implementação de dispositivos de segurança, alguns riscos residuais não podem ser evitados. Incluem:

- ferimentos causados pelo contacto com peças em rotação/movimento.
- ferimentos causados durante a troca de peças, lâminas ou acessórios.
- ferimentos causados pela utilização prolongada de uma ferramenta. Quando utilizar uma ferramenta por períodos prolongados, faça intervalos regulares.
- diminuição da audição.
- problemas de saúde causados pela inalação de poeiras resultantes da utilização da ferramenta (exemplo: trabalhos em madeira, especialmente carvalho, faia e MDF.)

Etiquetas da ferramenta

Aparecem os seguintes pictogramas na ferramenta:



Advertência! Para reduzir o risco de ferimentos, o utilizador deve ler o manual de instruções.

Instruções adicionais de segurança para baterias e

carregadores

Baterias

- Nunca tente abrir a bateria seja qual for a razão.
- Não deixe que a bateria entre em contacto com a água.
- Não armazene em locais onde a temperatura possa exceder 40 °C.
- Carregue somente à temperatura ambiente, entre 10 °C e 40 °C.
- Carregue somente utilizando o carregador fornecido com a ferramenta.
- Siga as instruções fornecidas na secção "Protecção do meio ambiente" quando desejar desfazer-se das baterias.



Nunca tente carregar baterias danificadas.

Carregadores

- Utilize o seu carregador BLACK+DECKER apenas para carregar as baterias do tipo fornecido com a sua ferramenta. Outras baterias poderiam explodir, causando ferimentos pessoais e estragos.
- Nunca tente carregar baterias não recarregáveis.
- Substitua os cabos defeituosos imediatamente.
- Não deixe que o carregador entre em contacto com a água.
- Não abra o carregador.
- Não submeta o carregador a testes.



O carregador destina-se apenas a ser utilizado no interior.



Leia o manual de instruções antes de utilizar.

Segurança eléctrica



O seu carregador está duplamente isolado, pelo que não é necessário fio de terra. Verifique sempre se a tensão eléctrica corresponde à indicada na placa de especificações. Nunca tente substituir o carregador por uma tomada normal.

- Se o cabo de alimentação estiver danificado, deverá ser substituído pelo fabricante ou por um Centro de Assistência autorizado pela BLACK+DECKER, de modo a evitar perigos.

Características

Esta ferramenta inclui algumas ou todas as seguintes características.

1. Interruptor de velocidade variável
2. Selector de sentido de rotação
3. Selector de modo / anel de ajuste do binário de aperto
4. Bucha
5. Selector de velocidade
6. Suporte de pontas
7. Bateria

Fig. A

8. Carregador
9. Indicador de carga

Montagem

Advertência! Antes da montagem, retire a bateria.

Colocação e remoção da bateria (fig. B)

- Para colocar a bateria (7), alinhe-a com o respectivo receptáculo na ferramenta. Empurre a bateria em direcção ao respectivo receptáculo até encaixar.
- Para retirá-la, prima o botão de libertação (10) e puxe a bateria para fora do respectivo receptáculo.

Colocação e remoção de uma broca ou ponta de aparafusar

A ferramenta está equipada com uma bucha sem chave para permitir a troca fácil das brocas.

- Trave a ferramenta colocando o selector de reversibilidade (2) na posição central.
- Abra a bucha, girando a manga (4) com uma mão enquanto segura a ferramenta com a outra.

- Introduza a broca na bucha.
- Aperte firmemente a bucha, girando a manga (4) com uma mão enquanto segura a ferramenta com a outra.

Esta ferramenta é fornecida com uma ponta de aparafusar dupla no suporte de pontas (6).

- Para remover a ponta de aparafusar do compartimento de broca, puxe-a.
- Para guardar a ponta de aparafusar, empurre-a firmemente no compartimento.

Utilização

Advertência! Deixe que a ferramenta funcione à vontade. Não o sobrecarregue.

Advertência! Antes de perfurar paredes, pisos ou tectos, verifique a localização de fios e canos.

Carregar a bateria (fig. A)

A bateria precisa de ser carregada antes da primeira utilização e sempre que não consiga produzir energia suficiente em trabalhos habitualmente feitos sem dificuldade. A bateria pode aquecer quando carregar; isto é normal e não indica um problema.

Atenção! Não carregue a bateria a temperaturas ambientes abaixo de 4 °C ou acima de 40 °C. Temperatura de carregamento recomendada: aprox. 24 °C.

Nota: O carregador não irá carregar a bateria se a temperatura das células for inferior a, aproximadamente, 0 °C ou superior a 40 °C. A bateria não deve ser retirada do carregador para que este carregue automaticamente quando a temperatura das células aquecer ou arrefecer.

- Para carregar a bateria (7), insira-a no carregador (8). A bateria só pode ser encaixada no carregador de uma forma. Não force. Certifique-se de que a bateria está completamente introduzida no carregador.
- Ligue o carregador e ligue-o à corrente.

O indicador de carga (9) ficará verde em modo contínuo e intermitente (lento).

O carregamento está concluído quando o indicador de carga (9) ficar verde de forma contínua. O carregador e a bateria podem ser deixados ligados indefinidamente com o LED aceso. O LED ficará verde e intermitente (a carregar), à medida que o carregador ocasionalmente preenche a carga da bateria. O indicador de carga (9) ficará aceso enquanto a bateria estiver fixa ao carregador ligado na tomada.

- As baterias descarregadas devem ser carregadas no espaço de 1 semana. A vida útil de uma bateria diminuirá muito se for guardada descarregada.

Deixar a bateria no carregador

O carregador e a bateria podem ser sempre deixados ligados com o LED aceso indefinidamente. O carregador irá manter a bateria completamente carregada.

Diagnóstico do carregador

Se o carregador detectar que a bateria está fraca ou danificada, o indicador de carga (9) ficará vermelho em modo intermitente rápido. Proceda da seguinte forma:

- Volte a colocar a bateria (7).
- E os indicadores de carga continuarem a piscar rapidamente a vermelho, utilize uma bateria diferente para determinar se o processo de carga está a funcionar correctamente.
- Se a bateria de substituição carregar correctamente, então a bateria original está defeituosa e deve ser entregue num centro de serviço para reciclagem.
- Se a bateria nova der a mesma indicação que a bateria original, leve o carregador até um centro de assistência autorizado para ser testado.

Nota: determinar se a bateria está defeituosa pode demorar até 60 minutos. Se a bateria estiver demasiado quente ou fria, o LED ficará vermelho em modo intermitente rápido e lento alternadamente, piscando uma vez a cada velocidade e repetindo-se.

Seleção da direcção de rotação (fig. C)


Para perfurar e apertar parafusos, utilize a

rotação "avançar" (para a direita). Para soltar parafusos ou remover uma broca presa, utilize a rotação "inverter" (para a esquerda).


- Para seleccionar a rotação de avanço, empurre o selector de reversibilidade (2) para a esquerda.
- Para seleccionar a rotação inversa, empurre o selector para a direita.
- Para travar a ferramenta, coloque o selector na posição central.

Seleção do modo de operação ou par de aperto (fig. D)

Esta ferramenta está equipada com um anel de ajuste do par de aperto para apertar parafusos. Parafusos grandes e materiais duros requerem um maior aperto que parafusos pequenos e materiais mais moles. O anel dispõe de uma ampla variedade de ajustes com o fim de que a ferramenta se adapte a cada aplicação.

- Para perfurar madeira, metal e plástico, ajuste o anel (3) à posição de perfuração alinhando o símbolo  com a marca (11).
- Para aparafusar, ajuste o anel à posição desejada. Se não souber qual é a posição apropriada, proceda da seguinte maneira:
 - Ajuste o anel (3) ao menor par de aperto.
 - Aperte o primeiro parafuso.
 - Se a bucha breca antes que o resultado seja conseguido, aumente o ajuste e continue a apertar o parafuso. Repita esta operação até atingir o ajuste correcto. Utilize este ajuste para o resto dos parafusos.

EGBHP148/EGBHP188/EGBHP1881-Perfuração em alvenaria (fig.D& E)

- Para perfurar em alvenaria, ajuste o anel (3) à posição de perfuração de impacto alinhando o símbolo  com a marca (11).
- Empurre o selector de velocidade (5) em direcção à parte frontal da ferramenta (segundo motor).

Selector de velocidade (fig. E)

- Para perfurar em aço e aparafusar, empurre o selector de velocidade (5) em direcção à parte traseira da ferramenta (primeiro motor).
- Para perfurar em aço e aparafusar, empurre o selector de velocidade (5) em direcção à parte frontal da ferramenta (segundo motor).

Perfurar/aparafusar

- Selecione rotação de avanço ou recuo utilizando o selector de sentido de rotação (2).
- Para ligar a ferramenta, prima o interruptor (1). A velocidade da ferramenta depende de quanto se prime o interruptor.
- Para desligar a ferramenta, solte o selector.

Sugestões para uma melhor utilização**Perfurar**

- Aplique sempre uma leve pressão em linha recta com a broca.
- Um pouco antes de a broca atravessar a peça de trabalho, diminua a pressão sobre a ferramenta.
- Utilize uma peça de madeira como suporte para peças de trabalho que possam lascar.
- Utilize brocas puas quando perfurar orifícios de grande diâmetro em madeira.
- Utilize brocas de alta dureza quando perfurar em metal.
- Utilize brocas de pedra quando perfurar em alvenaria.
- Utilize um lubrificante quando perfurar em metais que não sejam ferro fundido e latão.
- Para um orifício mais preciso, marque o centro do orifício a executar utilizando um furador.

Aparafusar

- Utilize sempre o tipo e tamanho correcto de ponta de aparafusar.
- Se os parafusos forem difíceis de apertar, tente aplicar uma pequena quantidade de detergente ou sabão como lubrificante.
- Segure sempre a ferramenta e a ponta de aparafusar em linha recta com o parafuso.

Manutenção

Esta ferramenta BLACK+DECKER foi desenvolvida para funcionar por um longo período, com um mínimo de manutenção. O funcionamento contínuo e satisfatório depende da limpeza regular e cuidado adequado da ferramenta.

O seu carregador não requer qualquer manutenção além de sua limpeza regular.

Advertência! Antes de executar qualquer manutenção na ferramenta, remova a bateria da ferramenta. Desligue o carregador de bateria antes de limpar o aparelho.

- Limpe regularmente as fendas de ventilação na ferramenta e no carregador utilizando uma escova macia ou pano seco.
- Limpe regularmente o compartimento do motor utilizando um pano húmido. Não utilize nenhum limpador abrasivo ou de base solvente.
- Abra regularmente o mandril e bata nele para remover qualquer poeira do interior.

Baterias

As baterias BLACK+DECKER podem ser recarregadas inúmeras vezes. Quando atingirem o fim das suas vidas úteis, deite-as fora com o devido cuidado com o nosso meio ambiente.

- Descarregue completamente a bateria e remova-a do aparelho.
- As baterias NiCd, NiMH e Li-Ion são recicláveis. Entregue-as em qualquer agente de reparação autorizado ou numa estação de reciclagem local.

EGBHP146 (H1)		
Tensão	V_{CC}	14.4
Velocidade sem carga	Mín. ⁻¹	0-350/ 0-1500
Binário máx.	Nm	36
Capacidade do mandril	mm	13
Capacidade máx. de perfuração		
Aço/madeira	mm	13/38

EGBHP148 EGBHP188/ (H1) EGBHP146 (H1)			
Tensão	V_{CC}	14.4	18
Velocidade sem carga	Mín. ⁻¹	0-350/ 0-1500	0-350/ 0-1500
Binário máx.	Nm	36	43.7
Capacidade do mandril	mm	13	13
Capacidade máx. de perfuração			
Aço/madeira	mm	13/38/13	13/38/13

Carregador 906068** (typ. 1)		
Tensão de entrada	V_{AC}	220-240
Tensão de saída	V_{DC}	18
Corrente	A	2
Tempo de carga aprox.	min	60

Carregador 905902** (typ. 1)		
Tensão de entrada	V_{AC}	100-240
Tensão de saída	V_{DC}	8-20
Corrente	A	400
Tempo de carga aprox.	min	180-300

Bateria BL1514 BL1518 BL2018				
Tensão	V_{CC}	14.4	18	18
Capacidade	Ah	1.5	1.5	2.0
Tipo		Li-Ion	Li-Ion	Li-Ion

Nível de pressão acústica de acordo com EN 60745:

Pressão acústica (L_{pA}) 91.5 dB(A), imprecisão (K) 3 dB(A)
Potência acústica (L_{WA}) 102.5 dB(A), imprecisão (K) 3 dB(A)

Valores totais de vibração (soma vectores triax) de acordo com EN 60745:

Perfurar com percussão em betão ($a_{h, ID}$) 12.8 m/s², imprecisão (K) 1,5 m/s²
Perfurar em metal ($a_{h, D}$) <2.5 m/s², imprecisão (K) 1,5 m/s²
Aparafusamento sem percussão ($a_{h, S}$) <2.5 m/s², imprecisão (K) 1,5 m/s²

Declaração de conformidade CE

DIRECTIVA MÁQUINAS


EGBHP146 / EGBHP148
EGBHP188 / EGBHP1881

A BLACK+DECKER declara que os produtos descritos em "dados técnicos" estão em conformidade com as seguintes normas: 2006/42/CE, EN 60745-1, EN 60745-2-1

Estes produtos estão também em conformidade com a Directiva 2014/30/UE e 2011/65/UE. Para obter mais informações, contacte a BLACK+DECKER no endereço indicado em seguida ou consulte a parte posterior do manual.

O signatário é responsável pela compilação do ficheiro técnico e efectua esta declaração em nome da BLACK+DECKER.

R. Laverick

Director de Engenharia
 BLACK+DECKER Europe, 210 Bath Road,
 Slough,
 Berkshire, SL1 3YD
 Reino Unido
 09.2015

Proteger o ambiente

Recolha separada. Este produto não deve ser eliminado juntamente com os resíduos domésticos normais.

Se algum dia necessitar de substituir o seu produto BLACK+DECKER ou se já não o voltar a utilizar, não o elimine juntamente com os outros resíduos domésticos. Disponibilize este produto para recolha separada.



A recolha separada de produtos usados e embalagens permite que os materiais sejam reciclados e utilizados novamente. A reutilização de materiais reciclados ajuda a prevenir a poluição ambiental e reduz a procura de matérias-primas.

As normas locais podem fornecer a recolha separada de produtos elétricos a nível doméstico, locais de resíduos urbanos ou pelo revendedor onde adquiriu um produto novo.

A BLACK+DECKER providencia uma unidade para a recolha e reciclagem de produtos BLACK+DECKER uma vez que tenham alcançado o fim da sua vida útil. Para beneficiar deste serviço, devolva o seu produto a qualquer agente reparador autorizado, que fará a recolha em nosso favor.

Pode verificar a localização do seu agente reparador mais próximo, contactando o seu escritório local BLACK+DECKER através do endereço indicado neste manual. Como alternativa, está disponível na Internet uma lista de agentes reparadores autorizados da BLACK+DECKER e dados completos do serviço de pós-venda e contactos em: www.2helpU.com.

Garantia

A Black + Decker está confiante da qualidade de seus produtos e oferece uma garantia excelente. Esta declaração de garantia está em adição e em nada prejudica os seus direitos estatutários. A garantia é válida nos territórios dos Estados-Membros da União Europeia e da Zona Europeia de Comércio Livre.

Se um produto Black + Decker apresenta algum defeito devido a falhas de material, mão de obra ou falta de conformidade, no prazo de 24 meses a partir da data da compra, a BLACK+DECKER garante a substituição das peças defeituosas, produtos de reparação sujeitos a uso e desgaste regular ou substituição de tais produtos para se certificar do mínimo de inconveniência ao cliente a menos que:

- O produto tenha sido utilizado para fins comerciais, profissionais ou contratação.
- O produto tenha sido submetido a utilização inadequada ou negligência.
- O produto tenha sofrido danos causados por objetos estranhos, substâncias ou acidentes.
- As reparações foram efetuadas por terceiros e não por agentes autorizados ou pelo pessoal de serviço Black + Decker.

Para ativar a garantia, terá que apresentar o comprovativo de compra ao vendedor ou a um agente técnico autorizado. Pode verificar a localização do seu agente reparador autorizado mais próximo, contactando o seu escritório local BLACK+DECKER através do endereço indicado neste manual. Como alternativa, está disponível na Internet uma lista de agentes reparadores autorizados BLACK+DECKER, dados completos do serviço de pós-venda e contactos em: www.2helpU.com

Назначение

Ваша дрель/шуруповерт BLACK+DECKER предназначена для закручивания шурупов и сверления дерева, металлов, пластмасс и мягкой кирпичной кладки. Этот инструмент предназначен только для использования потребителем.

Указания по технике безопасности

Общие указания по безопасной работе с электрическим инструментом



Внимание! Внимательно прочитайте все предупреждающие надписи и указания по безопасной работе. Несоблюдение предупреждающих надписей и указаний по безопасной работе может привести к поражению электрическим током, пожару и/или серьезным травмам персонала.

Сохраните все предупреждающие надписи и инструкции по мерам безопасности для дальнейшего использования. Термин «электрический инструмент», используемый во всех предупреждающих надписях и указаниях по технике безопасности, представленных ниже, относится к электрическому инструменту, работающему от сети (со шнуром электропитания) или от аккумуляторной батареи (без шнура питания).

1. Указания по безопасности на рабочем месте

- a. Рабочее место должно содержаться в чистоте и должно быть оборудовано надлежащим освещением. Беспорядок или плохое освещение на рабочем месте может привести к несчастному случаю.
- b. Запрещается использование электрического инструмента во взрывоопасной среде, например, в условиях наличия легковоспламеняющихся жидкостей, газов или пыли. Искры, возникающие при работе электрического инструмента, могут воспламенить пыль, пары и газы.
- c. Запрещается нахождение детей и посторонних лиц вблизи работающего электрического инструмента. Отвлекающие факторы могут привести к потере контроля за работой инструмента.

2. Электрическая безопасность

- a. Вилка шнура электрического инструмента должна соответствовать сетевой розетке. Запрещается вносить какие-либо изменения в вилку электрического шнура. Запрещается использование каких-либо штепсельных переходников при работе заземленного электрического инструмента. Отсутствие

изменений в вилках электрических шнуров и соответствие электрических вилок и розеток снижает риск поражения электрическим током.

- b. **Не допускайте контакта тела с заземленными поверхностями таких объектов, как трубы, радиаторы, электроплиты и холодильники.** Если ваше тело заземлено, риск его поражения электрическим током повышается.
 - c. **Электрические инструменты не должны подвергаться воздействию дождя и находится в условиях повышенной влажности.** При попадании влаги внутрь электрического инструмента повышается риск поражения электрическим током.
 - d. **Запрещается использовать электрический шнур не по назначению. Никогда не берите, не тяните и не вынимайте электрический инструмент за шнур.** Электрический шнур не должен находиться вблизи источников тепла, масла, острых краев и движущихся деталей. Поврежденные и закрученные электрические шнуры повышают риск поражения электрическим током.
 - e. **При работе электрического инструмента на открытом воздухе используйте соответствующий удлинитель.** Использование удлинителя, предназначенного для работы на открытом воздухе, снижает риск поражения электрическим током.
 - f. **Если работы с помощью электрического инструмента внутри влажного помещения должны быть выполнены обязательно, в таком случае необходимо использовать устройство защитного отключения (УЗО) электрической сети.** Использование УЗО снижает риск поражения электрическим током.
- ### 3. Безопасность персонала
- a. При работе с электрическим инструментом необходимо быть осмотрительным, видеть выполняемую работу и руководствоваться здравым смыслом. Запрещается работать с электрическим инструментом в состоянии усталости и под воздействием наркотиков, алкоголя и лекарственных препаратов. Ослабление внимания даже на мгновение может привести к серьезной травме.
 - b. **Используйте средства индивидуальной защиты. Всегда надевайте средства защиты глаз.** Используемые в соответствующих условиях средства индивидуальной защиты, такие как пылезащитная маска, нескользящая защитная обувь, защитная каска или средства защиты органов слуха, всегда снижают риск травмирования.

- c. **Не допускайте непреднамеренного включения инструмента.** Перед тем, так подключить источник питания или аккумулятор, поднимая или неся инструмент, проверьте, чтобы его выключатель находился в выключенном положении. Переноска инструмента пальцем, расположенном на его выключателе, или включенного инструмента повышает риск несчастного случая.
- d. **Перед включением инструмента всегда снимайте с него регулировочный и гаечный ключ.** Оставленный на вращающейся детали инструмента ключ может привести к травмированию.
- e. **Не прикладывайте к инструменту чрезмерное усилие во время работы. Всегда прочно держитесь на ногах и сохраняйте равновесие во время работы.** Это позволяет лучше контролировать электрический инструмент в непредвиденных ситуациях.
- f. **Надевайте соответствующую одежду.** Запрещается надевать свободную одежду и украшения. Волосы, одежда и перчатки должны находиться на расстоянии от движущихся деталей инструмента. Свободная одежда, украшения или длинные волосы могут быть захвачены движущимися деталями.
- g. **Если установлены устройства подключения средств пылеулавливания и пылесборников, необходимо проверять, чтобы они были подключены и использовались надлежащим образом.** Использование средств пылеулавливания снижает уровень риска, связанного с наличием пыли в воздухе.
4. **Использование и уход за электрическим инструментом**
- a. **Не прикладывайте чрезмерное усилие к электрическому инструменту. Используйте электрический инструмент, соответствующий выполняемой задаче.** При использовании надлежащего инструмента вы выполните работу лучше, с меньшим риском и со скоростью, на которую рассчитан ваш инструмент.
- b. **Запрещается использовать инструмент, если его выключатель не включается и не выключается.** Любой электрический инструмент, работой которого нельзя управлять с помощью его выключателя, представляет собой опасность и подлежит обязательному ремонту.
- c. **Перед выполнением регулировки электрического инструмента, заменой его принадлежностей и постановкой на хранение необходимо вынуть вилку его электрического шнура из розетки и/или достать из него аккумулятор.** Такая превентивная мера безопасности снижает риск случайного включения инструмента.
- d. **Храните электрический инструмент, который в данный момент не используется, в недоступном для детей месте и разрешайте работать с инструментом лицам, которые не знакомы с ним или с этими указаниями.** Электрический инструмент является опасным в руках необученного человека.
- e. **Поддерживайте инструмент в рабочем состоянии.** Проверяйте центровку и соединение движущихся деталей, наличие поврежденных деталей и любые факторы, которые могут отрицательно сказаться на работе электрического инструмента. В случае обнаружения повреждения электрический инструмент необходимо отремонтировать. Много несчастных случаев происходит вследствие того, что инструмент находится в ненадлежащем состоянии.
- f. **Режущие инструменты должны быть остро заточенными и чистыми.** Поддерживаемый в надлежащем рабочем состоянии режущий инструмент с острыми режущими кромками меньше застревает и легче управляется.
- g. **Используйте электрический инструмент, принадлежности, вставные резы и т.д. в соответствии с данными указаниями, учитывая условия эксплуатации и работу, которая должна быть выполнена.** Использование электрического инструмента с целью, отличной от предусмотренного назначения, может привести к опасной ситуации.
5. **Использование и уход за аккумуляторной батареей**
- a. **Зарядка аккумуляторной батареи должна выполняться только с помощью того зарядного устройства, которое указал производитель аккумуляторной батареи.** Если зарядное устройство, которое подходит для одного типа аккумулятора, использовать для зарядки аккумулятора другого типа, это может привести к возникновению пожароопасной ситуации.
- b. **Используйте электрический инструмент только с конкретно указанными аккумуляторными батареями.** Использование любых других аккумуляторных батарей повышает риск травмирования и возникновения пожароопасной ситуации.

- c. Если аккумуляторная батарея не используется, она должна храниться отдельно от металлических предметов, таких как канцелярские скрепки, монеты, ключи, гвозди, шурупы и другие небольшие металлические предметы, которые могут замкнуть клеммы батареи. Замыкание клемм аккумулятора может привести к их выгоранию или загоранию аккумулятора.
 - d. В условиях неправильной эксплуатации жидкий электролит может быть выброшен из аккумуляторной батареи, поэтому следует остерегаться контакта с электролитом. Если произошел случайный контакт с жидким электролитом, промойте это место водой. Если жидкость попала в глаза, необходимо также обратиться за медицинской помощью. Контакт с жидкостью, выброшенной из аккумуляторной батареи, может привести к раздражению или ожогам.
6. Обслуживание
- a. Обслуживать электрический инструмент должен только квалифицированный ремонтный персонал, и при этом должны использоваться только оригинальные запасные детали. Благодаря этому будет поддерживаться безопасное рабочее состояние электрического инструмента.

Дополнительные указания по безопасной работе с электрическим инструментом



Внимание! Дополнительные указания по безопасной работе с дрелями и ударными дрелями

- При работе с ударными дрелями надевайте средства защиты органов слуха. Воздействие шума может привести к нарушению слуха.
- Используйте вспомогательные рукоятки, которые поставляются вместе с инструментом. Потеря управления инструментом может привести к травмированию.
- Во время выполнения работ, когда режущая деталь электрического инструмента может соприкоснуться со скрытой электропроводкой, инструмент необходимо удерживать за диэлектрическую поверхность. При контакте режущей детали с проводом, находящимся под напряжением, под напряжение могут попасть металлические детали электрического инструмента, вследствие чего возникает опасность поражения оператора электрическим током.
- Во время выполнения работ, когда крепежная деталь электрического инструмента может соприкоснуться со скрытой электропроводкой, инструмент необходимо удерживать за диэлектрическую поверхность. При контакте крепежной детали с проводом, находящимся под напряжением, под напряжение могут попасть металлические детали электрического инструмента, вследствие чего возникает опасность поражения оператора электрическим током.
- Для фиксации положения обрабатываемой детали на устойчивом основании используйте зажимы или другой удобный и практический способ. Если держать деталь руками или прижимать ее к телу, она будет находиться в незакрепленном положении, что может привести к потере контроля за работой инструмента.
- Перед выполнением сверления стен, полов и потолков проверяйте расположение электропроводки и труб.
- Не касайтесь наконечника сверла дрели после сверления, поскольку он может быть горячим.
- Этот инструмент не предназначен для использования лицами (включая детей) с ограниченными физическими, сенсорными или умственными способностями или лицами, у которых отсутствует необходимый опыт и знания, кроме случаев, когда они находятся под наблюдением и получили надлежащие инструкции по работе с инструментом от лица, ответственного за их безопасность. Чтобы дети не играли с инструментом, они должны находиться под присмотром.
- Назначение инструмента описано в этой инструкции по эксплуатации. Использование любых принадлежностей и дополнительных приспособлений вместе с этим инструментом или использование инструмента в целях, которые не рекомендованы в этой инструкции, может привести к возникновению риска травмирования персонала и повреждения имущества.

Вибрация

Уровни вибрации, указанные в технических данных и декларации соответствия, были измерены в соответствии со стандартным методом испытаний, изложенным в EN 60745, и могут использоваться для сравнения инструментов. Заявленный уровень вибрации может также использоваться для предварительной оценки их воздействия.

Внимание! Уровень вибрации во время работы электрического инструмента может отличаться от заявленного уровня вибрации, поскольку он зависит от конкретно выполняемой инструментом работы. Уровень вибрации может быть выше установленного уровня.

При оценке воздействия вибрации для определения мер безопасности, требуемых 2002/44/ЕС для защиты лиц, постоянно работающих с электрическими инструментами, необходимо учитывать реальные условия использования и способ использования инструмента, включая все детали рабочего цикла, такие как время выключения и время холостого хода дополнительно к времени запуска.

Остаточный риск

Дополнительный остаточный риск может возникать в случаях использования инструмента, которые могут быть не учтены в перечисленных указаниях по безопасной работе. Такой риск может возникнуть вследствие неправильного использования, продолжительной работы и т.д.

Даже при соблюдении всех соответствующих правил техники безопасности и использовании защитных устройств некоторый остаточный риск все же остается. Он включает:

- Травмы, полученные при касании вращающихся или движущихся деталей.
- Травмы, полученные при замене деталей, ножей или принадлежностей.
- Травмы, полученные вследствие продолжительного использования инструмента. При продолжительном использовании инструмента необходимо делать регулярные перерывы в работе.
- Ухудшение слуха.
- Вред для здоровья, вызванный вдыханием пыли, которая появляется во время работы инструмента (например, при работе с деревом, особенно с дубом, буком или ДВП).

Наклейки на инструменте

К поверхности инструмента прикреплены следующие графические наклейки.

Внимание! Для снижения риска травмирования оператор должен прочитать эту инструкцию по эксплуатации.

Дополнительные указания по безопасному использованию

аккумуляторных батарей и зарядных устройств

Аккумуляторные батареи

- Независимо от причины, никогда не пытайтесь вскрыть аккумуляторную батарею.
- Не подвергайте аккумуляторную батарею воздействию воды.
- Не храните аккумуляторные батареи в местах, где температура воздуха может превышать 40°C.
- Зарядку аккумуляторной батареи необходимо выполнять при температуре окружающего воздуха в пределах от 10°C до 40°C.
- Зарядку аккумуляторной батареи необходимо выполнять только с помощью зарядного устройства, поставляемого вместе с батареей.
- Утилизацию аккумуляторных батарей необходимо производить в соответствии с указаниями, содержащимися в разделе «Защита окружающей среды».



Не пытайтесь заряжать поврежденные аккумуляторные батареи.

Зарядные устройства

- Используйте зарядное устройство BLACK+DECKER только для зарядки аккумуляторной батареи для инструмента, с которым она было поставлена. При зарядке других аккумуляторных батарей может происходить взрыв, приводящий к травмированию людей и повреждению оборудования.
- Никогда не пытайтесь заряжать перезаряжаемые батареи.
- Поврежденные электрические шнуры необходимо заменять немедленно.
- Не подвергайте зарядное устройство воздействию воды.
- Не вскрывайте зарядное устройство.
- Не тестируйте зарядное устройство.



Зарядное устройство предназначено для использования только внутри помещения.



Перед его использованием прочтите инструкцию по эксплуатации.

Электрическая безопасность



Ваше зарядное устройство имеет двойную изоляцию, и поэтому провод заземления ему не нужен. Всегда проверяйте, чтобы сетевое напряжение соответствовало значению, указанному в табличке с паспортными данными. Никогда не пытайтесь заменить вилку в блоке зарядного устройства обычной сетевой вилкой.

- В случае повреждения шнура питания, чтобы избежать возникновения опасных ситуаций, его замену должен выполнить производитель оборудования или уполномоченный сервисный центр BLACK+DECKER.

Функции

Этот инструмент может обладать всеми или некоторыми из перечисленных ниже функций.

1. Переключатель количества оборотов
2. Подвижный переключатель прямого/обратного направления вращения
3. Переключатель режимов / кольцо регулировки вращательного момента
4. Зажимной патрон
5. Переключатель скорости
6. Держатель сверла
7. Аккумуляторная батарея

Рис. А

8. Зарядное устройство
9. Индикатор зарядки

Сборка

Внимание! Перед выполнением сборки достаньте аккумулятор из инструмента.

Установка и удаление аккумуляторной батареи (Рис. В)

- Чтобы вставить аккумуляторную батарею (7), выровняйте ее по приемному гнезду инструмента. Введите аккумулятор в гнездо и нажмите, чтобы он защелкнулся на своем месте.
- Чтобы достать аккумуляторную батарею, нажмите кнопку разблокировки (10), одновременно вынимая аккумулятор из приемного гнезда.

Установка и удаление сверла дрели и наконечника шуруповерта Этот инструмент оснащен бесключевым патроном, позволяющим легко менять сверла.

- Заблокируйте инструмент, установив подвижный переключатель прямого/обратного направления вращения (2) в центральное положение.
- Чтобы раскрыть зажимной патрон, одной рукой поворачивайте его (4), а другой рукой удерживайте инструмент.
- Вставьте хвостовик сверла в зажимной патрон.
- Плотно закрутите зажимной патрон, поворачивая (4) одной рукой и удерживая инструмент другой рукой.

Этот инструмент поставляется с наконечником шуруповерта в держателе (6).

- Чтобы достать наконечник шуруповерта из держателя, выдвините его вверх из паза.
- Чтобы вставить наконечник шуруповерта, плотно нажмите на него и введите в держатель.

Работа инструмента

Внимание! Дайте возможность инструменту работать с естественной скоростью. Не перегружайте его.

Внимание! Перед выполнением сверления стен, полов и потолков проверяйте расположение электропроводки и труб.

Зарядка аккумуляторной батареи (Рис. А)

Зарядка аккумуляторной батареи должна быть выполнена перед ее первым использованием и каждый раз, когда она не в состоянии обеспечивать мощность, необходимую для выполнения работы, хотя перед этим работа была выполнена легко. Батарея может нагреваться в процессе; это нормально и не означает наличие проблемы.

Внимание! Запрещается заряжать аккумуляторную батарею при температурах воздуха ниже 10 °С и выше 40 °С. Рекомендуемая температура воздуха для зарядки составляет около 24 °С.

Примечание: Зарядное устройство не будет заряжать аккумуляторную батарею, если температура ее элемента лежит приблизительно ниже 0 °С или выше 40 °С. Аккумулятор надо оставить в зарядном устройстве, которое автоматически начнет выполнять зарядку, когда температура элемента войдет в указанные пределы (поднимется или опустится).

- Чтобы зарядить аккумуляторную батарею (7), вставьте ее в зарядное устройство (8). Аккумулятор можно вставить в зарядное устройство только одним способом. Не прикладывайте при этом чрезмерное усилие. Проверьте, чтобы аккумуляторная батарея полностью стала на свое место в зарядном устройстве.
- Вставьте штепсельную вилку в розетку и включите питание.

Индикатор заряда (9) медленно мигает зеленым цветом.

Когда зарядка будет завершена, индикатор зарядки (9) загорается ровным зеленым цветом. Зарядное устройство и аккумуляторную батарею можно оставлять соединенными на неограниченное время при горящем индикаторе. Светодиодный индикатор будет загораться в тех случаях, когда зарядное устройство будет периодически подзаряжать аккумулятор. Индикатор заряда (9) горит, пока аккумулятор подключен к зарядному устройству.

- Выполняйте подзарядку разряженной аккумуляторной батареи в пределах одной недели. Если аккумуляторную батарею хранить в разряженном состоянии, ее срок службы существенно сократится.

Оставление аккумуляторной батареи в зарядном устройстве

Зарядное устройство и аккумуляторную батарею можно оставлять соединенными на неограниченное время с горящим светодиодным индикатором. Зарядное устройство будет поддерживать аккумуляторную батарею в полностью заряженном состоянии.

Диагностика зарядного устройства

Если зарядное устройство определяет, что аккумуляторная батарея разряжена или повреждена, его индикатор (9) начнет быстро мигать красным цветом. Выполните следующее:

- повторно вставьте аккумулятор (7) в зарядное устройство.
- Если индикатор зарядки продолжает быстро мигать красным светом, возьмите другую аккумуляторную батарею для определения правильности выполнения процесса зарядки.
- Если новый аккумулятор заряжается нормально, в таком случае первый аккумулятор вышел из строя, и его необходимо отправить в сервисный центр для утилизации.

- Если же в случае нового аккумулятора индикатор зарядки будет мигать так же, как и при первом аккумуляторе, в таком случае отправьте зарядное устройство в уполномоченный сервисный центр для тестирования.

Примечание: Для определения поврежденного состояния аккумуляторной батареи понадобится около 60 минут. Если аккумуляторная батарея будет слишком горячей или слишком холодной, светодиодный индикатор будет поочередно мигать красным светом короткой и длинной вспышкой.

Выбор направления вращения (Рис. С)

Для сверления и закручивания шурупов используйте прямое (по часовой стрелке) направление вращения. Для выкручивания шурупов и удаления застрявшего сверла дрели используйте обратное (против часовой стрелки) направление вращения.

- Для вращения в прямом направлении установите ползунок переключателя прямого/обратного направления вращения (2) в левое положение.
- Чтобы выбрать обратное направление вращения, установите подвижный переключатель прямого/обратного направления вращения в правое положение.
- Чтобы заблокировать инструмент, установите подвижный переключатель прямого/обратного направления вращения в центральное положение.

Выбор режима работы или крутящего момента (Рис. D)

Этот инструмент оснащен кольцом для выбора режима работы и задания крутящего момента для затягивания шурупов. Для больших шурупов и деталей из твердых материалов необходимо увеличивать крутящий момент по сравнению с небольшими шурупами и деталями из мягких материалов. Кольцо имеет большой диапазон настроек, которые охватывают все виды ваших работ.

- Для сверления дерева, металла или пластмасс, установите кольцо (3) в положение сверления, выставив соответствующий символ напротив метки (11).
- Для закручивания шурупов установите необходимую настройку кольца. Если вы еще не знаете, какую настройку вам установить, выполните следующие действия:
- Установите кольцо (3) в положение минимального крутящего момента.

- Закрутите первый шуруп.
- Если начнется биеение патрона до того, как шуруп будет полностью закручен, увеличьте настройку крутящего момента и продолжайте закручивать шуруп. Повторяйте эти действия до тех пор, пока не будет найдена необходимая настройка. Используйте эту настройку для закручивания остальных шурупов.

EGVHP148/EGVHP188/EGVHP1881 - Сверление каменной кладки (Рис. D и E)

- Для сверления дерева, металла или пластмасс, установите кольцо (3) в соответствующее положение, выставив символ напротив метки (11).
- Переместите селектор скорости (5) в переднее положение (передача 2).

Выбор скорости (Рис. E)

- Для сверления металла и заворачивания шурупов переместите селектор скорости (5) в заднее положение (передача 1).
- Для сверления других материалов переместите селектор скорости (5) в переднее положение (передача 2).

Сверление/заворачивание шурупов

- Выберите прямое или обратное направление вращения с помощью подвижного переключателя прямого/обратного направления вращения (2).
- Чтобы включить инструмент, нажмите выключатель (1). Скорость вращения инструмента зависит от того, в какой степени вы нажали (утопили) переключатель количества оборотов.
- Чтобы выключить инструмент, отпустите переключатель.

Советы для эффективного использования инструмента

Сверление

- Всегда прикладывайте небольшое усилие вдоль оси вращения сверла.
- Перед тем, как сверло пройдет через обратную сторону детали, необходимо уменьшить давление на инструмент.
- Для фиксации деталей, которые могут расколоться, используйте деревянные бруски.
- Для высверливания в дереве отверстий большого

диаметра используйте перовые сверла.

- Для сверления металла используйте сверла из высокопрочной стали.
- Для сверления мягкой кирпичной кладки используйте сверла с тонкостенной алмазной коронкой.
- Для сверления металлов, кроме чугуна и латуни, используйте смазку.
- Для увеличения точности в центре отверстия, которое будет высверлено, накерните метку кернером.

Закручивание шурупов

- Всегда используйте наконечник шуруповерта надлежащего типа и размера.
- Если шуруп закручивается туго, попробуйте использовать в качестве смазки немного промывочной жидкости или мыла.
- Инструмент и наконечник всегда должны находиться на одной оси с шурупом.

Техническое обслуживание

Конструкция вашего инструмента BLACK+DECKER рассчитана на работу на протяжении длительного периода времени при минимальном техническом обслуживании. Продолжительная удовлетворительная работа инструмента обеспечивается надлежащим уходом и регулярной очисткой. Кроме периодической очистки ваше зарядное устройство не требует других операций технического обслуживания.

Внимание! Перед выполнением каких-либо действий по техническому обслуживанию инструмента, достаньте из него аккумуляторную батарею. Перед проведением очистки зарядного устройства выньте его штепсельную вилку из сетевой розетки.

- Регулярно очищайте вентиляционные прорези в инструменте и зарядном устройстве с помощью мягкой щетки или сухой ткани.
- Регулярно выполняйте очистку корпуса двигателя с помощью влажной ткани.
- Не используйте для очистки абразивные материалы или жидкие чистящие средства.
- Регулярно раскрывайте и выколачивайте зажимной патрон для удаления пыли из его внутренней части.

Аккумуляторные батареи



Аккумуляторные батареи BLACK+DECKER можно перезаряжать много раз. По завершению срока службы выполните утилизацию аккумуляторной батареи в соответствии с экологическими нормами:

- Когда аккумуляторная батарея полностью выработает свой ресурс, извлеките ее из инструмента.
- NiCd, NiMH и литий-ионные аккумуляторные батареи пригодны для вторичной переработки. Отправьте их любому уполномоченному представителю по ремонту или в местный центр по вторичной переработке.

Технические данные

EGBHP146 (H1)		
Напряжение	Впост. т.	14,4
Макс. крутящий момент без нагрузки	Мин ⁻¹ мм	0-350/ 0-1500 36 13
Наибольший диаметр сверления		
Металл/дерево	мм	13/38

	EGBHP148 (H1)	EGBHP188 / EGBHP1881 (H1)
Напряжение	Впост. т.	14,4 18
Скорость холостого хода	Мин ⁻¹	0-350/ 0-1500 0-350/ 0-1500
Макс. крутящий момент	Нм	36 43,7
Наибольший диаметр сверла в патроне		
	мм	13 13
Наибольший диаметр сверления		
Сталь/дерево каменная (кирпичная) кладка	мм	13/38/13 13/38/13

Зарядное устройство	906068** (тип. 1)	
Входное напряжение	Впер. т.	220-240
Выходное напряжение	Впост. т.	18
Ток	А	2
Приблизительное время зарядки	мин.	60

Зарядное устройство	905902** (тип. 1)	
Входное напряжение	Впер.т	100-240
Выходное напряжение	Впост.т	8-20
Ток	А	400
Приблизительное время зарядки	мин.	180-300

Аккумулятор	BL1514	BL1518	BL2018	
Напряжение	Впост.т	14,4	18	18
Емкость	А*ч	1,5	1,5	2,0
Тип	Li-Ion	Li-Ion	Li-Ion	

Уровень звукового давления согласно EN 60745

Звуковое давление (L_{pA}) 91,5 дБ(А), погрешность (К) 3 дБ(А)
 Акустическая мощность (L_{WA}) 102,5 дБ(А), погрешность (К) 3 дБ(А)

Суммарные уровни вибрации (сумма векторов по трем осям) по стандарту EN 60745

Импульсное сверление бетона ($a_{h,D}$) 12,8 м/с², погрешность (К) 1,5 м/с²
 Сверление металла ($a_{h,D}$) < 2,5 м/с², погрешность (К) 1,5 м/с²
 Заворачивание шурупов в безударном режиме ($a_{h,s}$) < 2,5 м/с², погрешность (К) 1,5 м/с²

Декларация соответствия ЕС ДИРЕКТИВА ПО МАШИННОМУ ОБОРУДОВАНИЮ



**EGBHP146/EGBHP148
EGBHP188/EGBHP1881**

BLACK+DECKER заявляет, что изделия, описанные в «технических данных», соответствуют: 2006/42/EC, EN 60745-1, EN 60745-2-1

Эти продукты также соответствуют Директиве 2014/30/EC и 2011/65/EC. За подробной информацией обращайтесь в BLACK+DECKER по указанному адресу или на оборотной стороне данного руководства.

Нижеподписавшийся является ответственным за составление файла с техническими данными и подписывает эту декларацию от имени BLACK+DECKER.

R. Laverick

Главный инженер BLACK+DECKER Europe,
210 Bath Road,
Slough, Berkshire, SL1 3YD United Kingdom
09.2015

Защита окружающей среды



Раздельный сбор отходов. Запрещается утилизировать этот продукт вместе с обычными бытовыми отходами.

Если вы решите, что ваше изделие BLACK+DECKER необходимо заменить, или если вы не будете его больше использовать, не утилизируйте его вместе с бытовыми отходами. Этот продукт подлежит раздельному сбору отходов.



Раздельный сбор использованных продуктов и упаковочных материалов позволяет производить их вторичную переработку с дальнейшим повторным использованием. Повторное использование материалов, прошедших вторичную переработку, снижает загрязнение окружающей среды и уменьшает потребность в сырьевых материалах.

Нормативные акты местных органов власти могут предусматривать сбор использованных электрических изделий отдельно от бытовых отходов, в муниципальных пунктах сбора отходов или в магазине при покупке нового изделия.

BLACK+DECKER предоставляет возможность для сбора и повторной переработки продуктов BLACK+DECKER после окончания срока их службы. Чтобы воспользоваться преимуществом этого сервиса, пожалуйста, отправьте ваш продукт любому уполномоченному представителю по ремонту, который собирает такие изделия от нашего имени.

Вы можете узнать адрес нашего ближайшего уполномоченного представителя по ремонту, позвонив в региональное представительство BLACK+DECKER, указанное в этой инструкции. Кроме того, список уполномоченных представителей по ремонту BLACK+DECKER, подробная информация о послепродажном обслуживании и контактные данные можно найти на сайте www.2helpU.com.

Гарантийные обязательства

Black + Decker уверена в качестве своих изделий и предоставляет исключительную гарантию. Данное заявление о гарантии дополняет и ни в коей мере не нарушает ваши законные права.

Если продукт производства Black + Decker придет в негодность вследствие некачественных материалов, некачественного изготовления или несоответствия требованиям, BLACK+DECKER гарантирует в пределах 24-х месяцев с даты продажи выполнять замену дефектных деталей, выполнять ремонт изделий, подвергшихся естественному износу, или выполнять замену таких изделий, для сведения к минимуму неудобств для покупателя, за исключением перечисленных ниже случаев:

- Данный продукт был использован для продажи, на промышленных работах или сдавался на прокат.
- Данный продукт использовался неправильно или без надлежащего ухода.
- Данному продукту был нанесен ущерб посторонними предметами, веществами или вследствие чрезвычайного происшествия.
- Была осуществлена попытка ремонта продукта лицами, не являющимися уполномоченными представителями по ремонту или ремонтно-обслуживающим персоналом Black + Decker.

Чтобы заявить претензию по гарантии, необходимо будет предоставить подтверждение покупки продавцу или уполномоченному представителю по ремонту. Вы можете узнать адрес нашего ближайшего уполномоченного представителя по ремонту, позвонив в региональное представительство BLACK+DECKER, указанное в этой инструкции. Кроме того, список уполномоченных представителей по ремонту BLACK+DECKER, подробная информация о послепродажном обслуживании и контактные данные можно найти на сайте www.2helpU.com.



Гарантийные условия

Уважаемый покупатель!

1. Поздравляем Вас с покупкой высококачественного изделия Black + Decker и выражаем признательность за Ваш выбор.
2. При покупке изделия требуйте проверки его комплектности и исправности в Вашем присутствии, инструкцию по эксплуатации и заполненный гарантийный талон на русском языке.

В гарантийном талоне должны быть внесены: модель, дата продажи, серийный номер, дата производства инструмента; название, печать и подпись торговой организации. При отсутствии у Вас правильно заполненного гарантийного талона мы будем вынуждены отклонить Ваши претензии по качеству данного изделия.

3. Во избежание недоразумений убедительно просим Вас перед началом работы с изделием внимательно ознакомиться с инструкцией по его эксплуатации.

Правовой основой настоящих гарантийных условий является действующее Законодательство.

Гарантийный срок на данное изделие составляет 24 месяца и исчисляется со дня продажи. В случае устранения недостатков изделия, гарантийный срок продлевается на период его нахождения в ремонте.

Срок службы изделия - 5 лет со дня продажи.

4. В случае возникновения каких-либо проблем в процессе эксплуатации изделия рекомендуем Вам обращаться только в уполномоченные сервисные центры Black + Decker, адреса и телефоны которых Вы сможете найти в гарантийном талоне, на сайте www.2helpU.com или узнать в магазине. Наши сервисные станции - это не только квалифицированный ремонт, но и широкий ассортимент запчастей и принадлежностей.
5. Производитель рекомендует проводить периодическую проверку и техническое обслуживание изделия в уполномоченных сервисных центрах.

6. Наши гарантийные обязательства распространяются только на неисправности, выявленные в течение гарантийного срока и вызванные дефектами производства и \ или материалов.
7. Гарантийные обязательства не распространяются на неисправности изделия, возникшие в результате:
 - 7.1. Несоблюдения пользователем предписаний инструкции по эксплуатации изделия, применения изделия не по назначению, неправильном хранении, использования принадлежностей, расходных материалов и запчастей, не предусмотренных производителем.
 - 7.2. Механического повреждения (сколы, трещины и разрушения) внутренних и внешних деталей изделия, основных и вспомогательных рукояток, сетевого электрического кабеля, вызванного внешним ударным или любым иным воздействием.
 - 7.3. Попадания в вентиляционные отверстия и проникновение внутрь изделия посторонних предметов, материалов или веществ, не являющихся отходами, сопровождающими применение изделия по назначению, такими как: стружка, опилки, песок, и пр.
 - 7.4. Воздействие на изделие неблагоприятных атмосферных и иных внешних факторов, таких как дождь, снег, повышенная влажность, нагрев, агрессивные среды, несоответствие параметров питающей электросети, указанным на инструменте.
 - 7.5. Стихийного бедствия. Повреждение или утрата изделия, связанное с непредвиденными бедствиями, стихийными явлениями, в том числе вследствие действия непреодолимой силы (пожар, молния, потоп и другие природные явления), а так же вследствие перепадов напряжения в электросети и другими причинами, которые находятся вне контроля производителя.
8. Гарантийные условия не распространяются:
 - 8.1. На инструменты, подвергавшиеся вскрытию, ремонту или модификации вне уполномоченной сервисного центра.
 - 8.2. На детали и узлы, имеющие следы естественного износа, такие как: приводные ремни и колеса, угольные щетки, смазка, подшипники, зубчатое зацепление редукторов, резиновые уплотнения, сальники, направляющие ролики, муфты, выключатели, бойки, толкатели, стволы и т.п.
 - 8.3. на сменные части: патроны, цанги, зажимные гайки и фланцы, фильтры, аккумуляторные батареи, ножи, шлифовальные подошвы, цепи, звездочки, пильные шины, защитные кожухи, пилки, абразивы, пыльные и абразивные диски, фрезы, сверла, буры и т.п.
 - 8.4. На неисправности, возникшие в результате перегрузки инструмента (как механической, так и электрической), повлекшей выход из строя одновременно двух и более деталей и узлов, таких как: ротора и статора, обеих обмоток статора, ведомой и ведущей шестерни редуктора и других узлов и деталей. К безусловным признакам перегрузки изделия относятся, помимо прочих: появление цветов побежалости, деформация или оплавление деталей и узлов изделия, потемнение или обугливание изоляции проводов электродвигателя под воздействием высокой температуры.

Изготовитель

Блэк энд Деккер Холдингс ГмбХ
Германия, 65510, Идштайн,
ул. Блэк энд Деккер, 40

Kullanım amacı

BLACK+DECKER matkap/tornavidanız, vidalama işlemlerini gerçekleştirmek ve ahşap, metal, plastik ve yumuşak taşları delmek için tasarlanmıştır. Bu alet, yalnızca tüketici kullanımını içindir.

Güvenlik talimatları

Genel elektrikli alet güvenlik uyarıları



Uyarı! Tüm güvenlik uyarılarını ve talimatları okuyun. Aşağıda listelenen uyarılara ve talimatlara uyulmaması halinde, elektrik çarpması, yangın ve/veya ciddi yaralanmalar olabilir.

İleride ihtiyaç duyulması ihtimaline karşın tüm uyarıları ve talimatları saklayın. Aşağıda listelenen uyarıların tümünde geçen "elektrikli alet" terimi, elektrik şebekesiyle çalışan (kablolu) elektrikli aletleri veya bataryayla çalışan (kablolu) elektrikli aletleri ifade etmektedir.

1. Çalışma alanı güvenliği

- Çalışma alanı temiz tutulmalı ve iyi aydınlatılmalıdır.** Dağınık veya karanlık alanlar, kazalara neden olur.
- Elektrikli aletleri, alev alabilen sıvıların, gazların veya tozun olduğu ortamlar gibi patlayıcı ortamlarda çalıştırmayın.** Elektrikli aletler, tozları veya buharları tutuşturabilen kıvılcımlar çıkarır.
- Bir elektrikli aleti çalıştırırken, çocukları ve izleyen kişileri uzak tutun.** Dikkat dağınıklığı, kontrolü kaybetmenize neden olabilir.

2. Elektriksel güvenlik

- Elektrikli aletlerin fişleri, prizlerle uyumlu olmalıdır.** Fişin üzerinde hiçbir şekilde değişiklik yapmayın. Adaptör fişleri, topraklanmış elektrikli aletlerle kullanmayın. Üzerinde değişiklik yapılmamış fişler ve uyumlu prizler, elektrik çarpması riskini azaltır.
- Boru, radyatör, ocak veya buzdolabı gibi topraklanmış yüzeylerle vücut temasından kaçının.** Vücutunuz topraklanırsa, elektrik çarpması riski artar.
- Elektrikli aletleri yağmura veya ıslak koşullara maruz bırakmayın.** Elektrikli aletin içine su girmesi, elektrik çarpması riskini artırır.
- Kabloya zarar vermeyin.** Kabloyu asla taşıma, çekme ve prizden sökme gibi işlemler için kullanmayın. Kabloyu ısıdan, yağdan, keskin kenarlardan ve hareketli parçalardan uzak tutun. Hasar görmüş veya karışmış kablolar, elektrik çarpması riskini artırır.
- Elektrikli bir aleti açık havada çalıştırırken, açık havada kullanım için uygun bir uzatma kablosu**

kullanın. Açık havada kullanım için uygun bir kablolu kullanım, elektrik çarpması riskini azaltır.

- Elektrikli aletin nemli bir yerde çalıştırılması gerekiyorsa, kaçak akım rölesi (RCD) korumalı bir besleme kullanın.** Kaçak akım rölesinin kullanılması, elektrik çarpması riskini azaltır.
- ### 3. Kişisel güvenlik
- Bir elektrikli aleti çalıştırırken tetikte olun, ne yaptığınızı dikkat edin ve sağlıklı davranın.** Uyuşturucu maddelerin, alkolün veya ilaçların etkisi altındayken elektrikli alet kullanmayın. Elektrikli aletleri çalıştırırken, bir anlık dikkatsizlik ciddi yaralanmalara neden olabilir.
 - Kişisel koruyucu donanım kullanın. Daima göz koruması kullanın.** Uygun koşullar için kullanılan toz maskesi, kaymaz güvenlik ayakkabısı, baret veya kulak tıkacı gibi koruyucu donanımlar, yaralanma riskini azaltır.
 - İstem dışı çalışmayı önleyin. Aleti kaldırmadan, taşımadan veya güç kaynağına ve /veya batarya kutusuna bağlamadan önce, aletin kapalı konumunda olduğundan emin olun.** Aleti, parmağınız düğmenin üzerindeyken taşımak veya açma düğmesi olan aletlere enerji vermek, kazalara davetiye çıkarır.
 - Elektrikli aleti açmadan önce, ayar anahtarını veya İngiliz anahtarını çıkarın.** Aletin döner bölümüne takılı halde bırakılmış İngiliz anahtarı veya anahtar, yaralanmalara neden olabilir.
 - Kapasiteyi aşmayın. Daima uygun dayanak ve denge sağlayın.** Bu, beklenmeyen durumlarda aletin daha iyi kontrol edilebilmesini sağlar.
 - Uygun giyinin. Bol kıyafetler giymeyin ve takı takmayın. Saçlarınızı, kıyafetlerinizi ve eldivenlerinizi, hareketli parçalardan uzak tutun.** Bol kıyafetler, takılar ve uzun saçlar, hareketli parçalara takılabilir.
 - Cihazlarda toz giderme ve toplama tesisatı varsa, bunların bağlı olduğundan ve uygun şekilde bağlantı yapılarak kullanıldığından emin olun.** Toz toplama tesisatının kullanımı, tozdan kaynaklı hasarları azaltabilir.
- ### 4. Elektrikli alet kullanımı ve bakımı
- Elektrikli aleti zorlamayın. Uygulamanız için doğru elektrikli aleti kullanın.** Doğru elektrikli alet, tasarlanma amacı oranında işi daha iyi ve daha güvenli bir şekilde yapacaktır.
 - Elektrikli alet, düğme kullanılarak açılmıyor veya kapatılmıyorsa, aleti kullanmayın.** Düğme ile kontrol edilemeyen elektrikli aletler tehlike arz eder ve tamir edilmeleri gerekir.

- c. Herhangi bir ayarlama veya aksesuar değişikliği yapmadan veya aletleri kaldırmadan önce, fişi güç kaynağından çekin ve/veya batarya kutusunu elektrikli aletten çıkarın. Bu gibi önleyici güvenlik önlemleri, elektrikli aletin kazara çalıştırılması riskini azaltır.
- d. Kullanılmayan elektrikli aletleri çocukların erişemeyeceği yerlerde saklayın ve elektrikli alete veya bu talimatlara aşına olmayan kişilerin aleti çalıştırmasına izin vermeyin. Elektrikli aletler, eğitimsiz kişiler tarafından kullanıldığında tehlike arz eder.
- e. Elektrikli aletlerin bakımını yapın. Hareketli parçalarda yanlış ayarlama veya bağlantı olup olmadığını, parçalarda kırık olup olmadığını ve elektrikli aletin çalışmasını etkileyecek herhangi başka bir durum olup olmadığını kontrol edin. Hasar varsa, elektrikli aleti kullanmadan önce tamir ettirin. Çoğu kazanın nedeni, elektrikli aletlerin bakımının iyi yapılmamasıdır.
- f. Kesme aletlerini keskin ve temiz halde tutun. Bakımı iyi yapılmış keskin kenarlı kesme aletlerinin tutukluk yapma ihtimali daha düşüktür ve kontrol edilmeleri daha kolaydır.
- g. Elektrikli aleti, aksesuarları, torna kalemlerini vb. parçaları, çalışma koşullarını ve yapılacak işi dikkate alarak, bu talimatlar uyarınca kullanın. Elektrikli aletin kullanım amacından başka işlemler için kullanılması, tehlikeli durumlara neden olabilir.
5. Batarya aleti kullanımı ve bakım
- a. Bataryayı yalnızca üretici tarafından belirtilen şarj aletiyle doldurun. Tek tür batarya kutusu için uygun olan bir şarj aleti, başka bir batarya kutusu ile kullanıldığında yangın riski oluşturabilir.
- b. Elektrikli aletleri, yalnızca özel olarak belirlenmiş batarya kutularıyla kullanın. Herhangi başka bir batarya kutusunun kullanımı, yaralanma veya yangın riski oluşturabilir.
- c. Batarya kutusu kullanılmıyorken, bir uçtan diğerine bağlantı kurabilecek ataş, madeni para, çivi, vida vb. metal nesnelere uzak tutun. Batarya uçlarına bir arada kısa devre yapılması, yanıklara veya yangına neden olabilir.
- d. Kötü şartlar altında, sıvı, bataryadan dışarı atılabilir; temas etmekten kaçının. Yanlışlıkla temas ederseniz, bol su ile yıkayın. Sıvı gözlere temas ederse, ek olarak tıbbi yardım alın. Bataryadan çıkan sıvı, tahriş veya yanıklara neden olabilir.

6. Servis

- a. Elektrikli cihazınızın bakımını, yalnızca aynı yedek parçaları kullanan kalifiye bir tamirciye yaptırın. Böylece, cihazınızın güvenli halinin devam ettiğinden emin olursunuz.

Ek elektrikli alet güvenlik uyarıları



Uyarı! Matkaplar ve darbeli matkaplar için ek güvenlik uyarıları

- **Darbeli matkap kullanırken göz koruyucusu takın.** Gürültüye maruz kalma, duyma kaybına neden olabilir.
- **Aletle birlikte tedarik edilen yardımcı kolları kullanın.** Kontrol kaybı, yaralanmalara neden olabilir.
- **Kesme aksesuarlarının gizli bağlantıya temas edebileceği bir iş yaparken, elektrikli aleti yalıtımlı tutma yüzeylerinden tutun.** Kesme aksesuarlarının "elektrikli" bir tele temas etmesi, elektrikli aletin açtıktaki metal parçalarının "elektriklenmesine" ve kullanıcının çarpılmasına neden olabilir.
- **Tutturma gerecinin gizli bağlantıya temas edebileceği bir iş yaparken, elektrikli aleti yalıtımlı tutma yüzeylerinden tutun.** Tutturma gereçlerinin "elektrikli" bir tele temas etmesi, elektrikli aletin açtıktaki metal parçalarının "elektriklenmesine" ve kullanıcının çarpılmasına neden olabilir.
- **Parçayı sabit bir platforma sabitlemek ve desteklemek için, kısıkaç veya başka bir pratik yol kullanın.** Parçayı elinizle veya vücudunuza doğru tutmak, parçayı sabit olmayan bir hale getirir ve kontrol kaybına neden olabilir.
- Duvarı, zemini veya tavanı delmeden önce, elektrik tesisatının ve boruların yerini kontrol edin.
- Delme işleminden hemen sonra matkabın ucuna dokunmaktan kaçınınız; sıcak olabilir.
- Bu alet, aletin kullanımı konusunda bilgilendirilmedikleri veya güvenliklerinden sorumlu bir kişi tarafından gözetim altında tutulmadıkları sürece, fiziksel, duyuşsal veya zihinsel yetenekleri yetersiz olan veya tecrübe ve bilgi eksikliği olan kişiler (çocuklar dahil) tarafından kullanılamaz. Çocuklar, cihazla oynamadıklarından emin olmak için gözetim altında tutulmalıdır.
- Kullanım amacı bu talimat kılavuzunda açıklanmıştır. Bu aletin, talimat kılavuzunda tavsiye edilenler dışında herhangi bir aksesuarının, eklentisinin veya performansının kullanılması, yaralanmalara ve/veya mal hasarına neden olabilir.

Titreşim

Teknik veriler ve uygunluk beyanında belirtilen titreşim emisyonu değerleri, EN 60745 tarafından sağlanan standart bir test yöntemi uyarınca ölçülmüştür ve bir aleti başka bir aletle karşılaştırmak için kullanılabilir. Belirtilen titreşim emisyonu değeri, aynı zamanda teşhirin ön değerlendirmesi için de kullanılabilir.

Uyarı! Elektrikli aletin fiili kullanımı sırasındaki titreşim emisyonu değeri, aletin kullanım şekillerine göre belirtilen değerden farklı olabilir. Titreşim seviyesi, belirtilen seviyenin üzerine çıkabilir.

İşlerinde elektrikli aletleri düzenli olarak kullanan kişileri korumak için 2002/44/EC uyarınca gerekli görülen güvenlik önlemlerini belirlemek için titreşim maruziyeti değerlendirilirken, titreşim maruziyetinin tahmini, başlatma zamanına ek olarak, aletin kapandığı ve boşta çalıştığı zamanlar gibi faaliyet döngüsünün tamamı dahil, gerçek kullanım koşulları ve aletin kullanım şekli göz önünde bulundurulmalıdır.

Kalan riskler

Artık ek riskler, ürün ilgili güvenlik uyarılarında mevcut olmayan şekilde kullanıldığında ortaya çıkabilir. Bu riskler yanlış kullanım, uzun süreli kullanım vb. nedenlerle ortaya çıkabilir.

Güvenlik cihazlarının ilgili güvenlik yönetmeliklerinin ve uygulamalarının yerine getirilmesi bile, bazı kalan risklerden kaçınmak için yeterli değildir. Aşağıdakiler dahildir:

- Döner/hareketli parçalara dokunmaktan kaynaklanan yaralanmalar.
- Parçaları, bıçakları veya aksesuarları değiştirirken meydana gelen yaralanmalar,
- Bir aletin uzun süreli kullanımından kaynaklanan yaralanmalar, Herhangi bir aleti uzun süre kullanırken, düzenli aralar verdiğinizden emin olun,
- Duyma bozukluğu.
- Aletinizi kullanırken toz solumaktan dolayı meydana gelen sağlık tehditleri (örneğin, ahşapla çalışırken; özellikle de meşe, kayın ve MDF).

Aletin üzerindeki etiketler


Aletin üzerinde, aşağıdaki resimli şemalar gösterilmektedir:



Uyarı! Kullanıcı, yaralanma riskini azaltmak için, kullanım talimatını okumalıdır.

Bataryalar ve şarj cihazları için ek güvenlik talimatları

Bataryalar

- Hiçbir nedenle açmaya çalışmayın.
- Bataryayı suya maruz bırakmayın.
- Sıcaklığın 40 °C'nin üzerine çıkabileceği yerlerde saklamayın.
- Yalnızca 10 °C ve 40 °C arası ortam sıcaklıklarında şarj edin.
- Yalnızca aletle birlikte verilen şarj cihazını kullanarak şarj edin.
- Bataryaları imha ederken, "Çevreyi koruma" bölümünde verilen talimatlara uyun.
-  Hasar görmüş bataryaları şarj etmeye çalışmayın.

Şarj Cihazları

- Aletin içerisindeki bataryayı şarj etmek için, yalnızca ürünle birlikte verilen BLACK+DECKER şarj cihazını kullanın. Eskimiş bataryaları patlatarak yaralanmalara ve hasara neden olabilir.
- Şarj edilemez bataryaları şarj etmeye çalışmayın.
- Hasar görmüş kabloları derhal yenileyin.
- Şarj cihazını suya maruz bırakmayın.
- Şarj cihazını açmayın.
- Şarj cihazını kurcalamayın.



Şarj cihazı yalnızca iç mekanlarda kullanım amaçlıdır.



Kullanmadan önce kullanım talimatını okuyun.

Elektriksel güvenlik



Şarj cihazınız çift yalıtılıdır; dolayısıyla topraklama kablosu gerekmez. Şebeke geriliminin anma değeri plakasındaki gerilimle uyumlu olup olmadığını daima kontrol edin. Şarj cihazı ünitesini asla normal bir şebeke fişiyile değiştirmeye çalışmayın.

- Besleme kablosu hasar görmüşse, tehlikelerden kaçınmak için üretici veya yetkili bir BLACK+DECKER Servis Merkezi tarafından yenisiyle değiştirilmelidir.

Özellikler

Aşağıdaki özelliklerin bazıları veya tümü bu alette mevcuttur.

1. Değişken hız düğmesi
2. İleri/geri kaydırıcı
3. Mod selektörü / tork ayar bileziği
4. Matkap kovana
5. Hız selektörü
6. Matkap kovana
7. Batarya

Şekil A

8. Şarj cihazı
9. Şarj Göstergesi

Montaj

Uyarı! Montajdan önce, bataryayı aletten çıkarın.

Bataryanın takılması ve çıkarılması (şekil B)

- Bataryayı (7) takmak için, alettiki yuvaya hizalayın. Aleti yuvaya doğru kaydırın ve batarya yerine oturana kadar bastırın.
- Bataryayı çıkarmak için, bataryayı yuvadan dışarı doğru çekerken aynı anda çıkarma düğmesine (10) basın.

Matkap ucunun veya tornavida ucunun takılması ve çıkarılması

Bu alet, uçların kolayca değiştirilebilmesi için anahtarsız bir matkap kovana ile donatılmıştır.

- İleri/geri kaydırıcıyı (2) merkez konuma ayarlayarak aleti kilitleyin.
- Bir elinizle ön tarafı (4) çevirirken diğer elinizle arka tarafı (11) tutarak kovana açın.
- Uç şaftını (12) kovana yerleştirin.
- Bir elinizle ön tarafı (4) çevirirken diğer elinizle arka tarafı (13) tutarak kovana iyice sıkın.

Bu alet, kovanın (6) içinde çift uçlu bir tornavida ucuyla donatılmıştır.

- Matkap kovasının içinden tornavida ucunu çıkarmak için, ucu boşluktan kaldırın.
- Tornavida ucunu saklamak için, kovana doğru iyice itin.

Kullanım

Uyarı! Aleti kendi temposunda çalıştırın. Aşırı yüklemeye yapmayın.

Uyarı! Duvarı, zemini veya tavanı delmeden önce, elektrik tesisatının ve boruların yerini kontrol edin.

Bataryanın şarj edilmesi (şekil A)

Batarya, ilk kullanımdan önce ve daha önce kolayca yapılabilen işlerde yeterli gücü üretilmediği zaman şarj edilmelidir. Batarya şarj edilirken ısınabilir; bu durum normaldir ve bir sorun olduğu anlamına gelmez.

Uyarı! Bataryayı 10 °C'nin altındaki veya 40 °C'nin üzerindeki ortam sıcaklıklarında şarj etmeyin. Tavsiye edilen şarj etme sıcaklığı ortalama 24 °C'dir.

Not: Hücre sıcaklığı yaklaşık 0 °C'nin altında veya 40 °C'nin üzerinde ise, şarj cihazı bataryayı şarj etmeyecektir. Batarya, şarj cihazının içinde bırakılmalıdır; böylece hücre sıcaklığı arttığı veya azaldığı zaman, şarj cihazı bataryayı otomatik olarak şarj etmeye başlayacaktır.

- Bataryayı (7) şarj etmek için, şarj cihazının (8) içine yerleştirin. Batarya, şarj cihazının içine yalnızca tek yönlü olarak sığar. Aksini zorlamayın. Bataryanın şarj cihazına tamamen oturduğundan emin olun.
- Şarj cihazını prize takın ve şebekeden açın.

Şarj göstergesi (9) yeşil renkte yanacaktır (yavaşıca).

Şarj göstergesi (9) sürekli yanar halde ise, şarj etme tamamlanmıştır. Şarj cihazı ve batarya, LED ışığı açık halde, süresiz olarak bağlı bırakılabilir. Şarj cihazı ara sıra batarya şarjını tamamen doldurduğunda, LED ışığı yeşile dönecektir. Batarya takılı şarj cihazına bağlı olduğu sürece şarj göstergesi (9) yanacaktır.

- Boşalmış bataryaları 1 hafta içinde şarj edin. Bataryalar şarjı boşalmış halde saklanırsa, batarya ömrü ciddi derecede azalacaktır.

Bataryanın şarj cihazı içerisinde bırakılması

LED süresiz olarak yanarken, şarj cihazı ve batarya kutusu bağlı halde bırakılabilir. Şarj cihazı, batarya kutusunu yeni ve tamamen şarj olmuş halde tutacaktır.

Şarj cihazı tanıları

Şarj cihazı zayıf veya hasar görmüş bir batarya tespit ederse, şarj göstergesi (9) yüksek hızda kırmızı renkte yanacaktır. Aşağıdaki adımları takip edin:

- Bataryayı (7) tekrar yerleştirin.

- Şarj göstergesi yüksek hızda kırmızı renkte yanmaya devam ederse, şarj sürecinin doğru şekilde işleyip işlemediğini kontrol etmek için farklı bir batarya kullanın.
- Yeni batarya doğru şekilde şarj oluyorsa, orijinal batarya hasarlı demektir ve geri dönüşüm için bir servis merkezine götürülmelidir.
- Yeni batarya orijinal bataryayla aynı göstergeleri veriyorsa, bataryayı test ettirmek üzere yetkili bir servis merkezine götürün.
- Taş delme işlemi yapmak için, sembolü işaretle aynı hizaya getirerek bileziği (3) darbeli delme konumuna ayarlayın.
- Hız selektörünü (5) aletin ön tarafına doğru kaydırın (2nci dişli).

Hız selektörü (şekil E)

- Çelik delme işlemleri ve vidalama uygulamaları için, hız selektörünü (5) aletin arka tarafına doğru kaydırın (1inci dişli).
- Çelik harici materyalleri delmek için, hız selektörünü (5) aletin ön tarafına doğru kaydırın (2nci dişli).

Not: Bataryanın hasarlı olup olmadığının belirlenmesi 60 dakikaya kadar sürebilir. Batarya çok sıcak veya çok soğuksa, LED dönüşümlü olarak her hızda ve tekrarda bir kez olmak üzere kırmızı, hızlı ve yavaş olarak yanacaktır.

Dönüş yönünün seçilmesi (şekil C)

Delme ve vidaların sıkılması işlemleri için, ileri (saat yönünde) dönüşü kullanın. Vidaların gevşetilmesi ve sıkılmış bir matkap ucunun çıkarılması işlemleri için, geri (saat yönünün tersine) dönüşü kullanın.

- İleri dönüşü seçmek için, ileri/geri kaydırıcıyı (2) sola itin.
- Geri dönüşü seçmek için, ileri/geri kaydırıcıyı sağa itin.
- Aleti kilitlemek için, ileri/geri kaldıracıyı merkez konuma ayarlayın.

Çalışma modunun veya torkun seçilmesi (şekil D)

Bu cihaz, vidaları sıkmak için torku ayarlamak ve çalışma modunu seçmek için, bir bilezikle donatılmıştır. Büyük vidalar ve sert iş parçası materyalleri, küçük vidalar ve yumuşak iş parçası materyallerinden daha yüksek bir tork ayarı gerektirir. Bilezikte, işleminize uyum sağlayacak birçok ayar bulunur.

- Ahşap, metal ve plastikleri delmek için, sembolüişaretle (11) aynı hizaya getirerek bileziği (3) delme konumuna getirin.
- Vidalama için, bileziği istenen ayara getirin. Uygun ayarı bilmiyorsanız, aşağıdaki adımları takip edin:
- Bileziği (3) en düşük tork ayarına getirin.
- İlk vidayı sıkın.
- İstenen sonuca ulaşmadan önce baskı artarsa, bilezik ayarını yükseltin ve vidayı sıkmaya devam edin. Doğru ayarı elde edene kadar bu işlemi tekrar edin. Kalan vidalar için bu ayarı kullanın.

EGBHP148/EGBHP188/EGBHP1881 - Taşların delinmesi (şekil D ve E)

Delme/vidalama

- İleri/geri kaydırıcıyı (2) kullanarak ileri veya geri dönüşü seçin.
- Aleti açmak için, düğmeye (1) basın. Alet hızı, düğmeye ne kadar bastığınıza bağlıdır.
- Aleti kapatmak için düğmeyi bırakın.

En verimli kullanım için ipuçları

Delme

- Daima matkap ucuyla düz hizalı olarak hafif bir baskı uygulayın.
- Matkap ucu iş parçasının diğer tarafına geçmeden hemen önce, alet üzerindeki baskıyı azaltın.
- Parçalanma ihtimali olan iş parçalarını desteklemek için tahta bir blok kullanın.
- Ahşapta büyük çaplı delikler açarken, kürek uçları kullanın.
- Metal malzemeleri delerken HSS matkap uçlarını kullanın.
- Yumuşak taşları delerken taş uçlarını kullanın.
- Dökme demir ve pirinç harici metalleri delerken, bir yağlama maddesi kullanın.
- Doğruluğu artırmak için, bir merkez zımbası kullanarak delinecek boşluğun ortasında bir iz oluşturun.

Vidalama

- Daima doğru türde ve boyuttaki tornavida uçlarını kullanın.
- Vidaların sıkılması zorsa, yağlayıcı olarak küçük bir miktar bulaşık deterjanı veya sabun uygulamayı deneyin.

- Alet ve tornavida ucunu, daima vidayla düz hizada tutun.

Bakım

BLACK+DECKER aletiniz, minimum bakım gereksinimi ile uzun zaman çalışmak üzere tasarlanmıştır. Aletin sürekli olarak memnun edici şekilde çalışması uygun alet bakımına ve düzenli temizliğe bağlıdır.

Şarj cihazınız düzenli temizlikten başka bir bakım işlemi gerektirmez.

Uyarı! Alet üzerinde herhangi bir bakım işlemi yapmadan önce, bataryayı aletten çıkarın. Şarj cihazını temizlemeden önce prizden çıkarın.

- Yumuşak bir fırça veya kuru bir bez kullanarak, aletinizdeki ve şarj cihazınızdaki havalandırma deliklerini düzenli olarak temizleyin.
- Motor yuvasını nemli bir bez kullanarak düzenli olarak temizleyin.
- Aşındırıcı veya çözücü bazlık temizlik malzemeleri kullanmayın.
- Matkap kovanını düzenli aralıklarla açın ve iç kısımdaki tozları dışarı çıkarmak için hafifçe vurun.

Bataryalar



BLACK+DECKER bataryaları birçok kez şarj edilebilir. Kullanım ömürlerinin sonunda, bataryaları çevreye gereken özeni göstererek atın.

- Bataryayı tamamen boşaltın, daha sonra aletten çıkarın.
- NiCd, NiMH ve Lityum-lyon bataryalar geri dönüştürülebilir. Bu bataryaları yetkili bir tamir görevlisine veya yerel bir geri dönüşüm merkezine götürün.

Teknik veriler

	EGBHP146 (H1)	
Gerilim	V_{DC}	14,4
Yüksüz hız	Min^{-1}	0-350/ 0-1500
Maks. tork	Nm	36
Kovan kapasitesi	mm	13
Maksimum Delme kapasitesi		
Çelik/ahşap	mm	13/38

	EGBHP148 (H1)	EGBHP188 / EGBHP1881 (H1)
Gerilim	Впост. т.	14,4 18
Yüksüz hız	Min^{-1}	0-350/ 0-1500 0-350/ 0-1500
Maks. tork	Nm	36 43,7
Matkap kovani kapasitesi	mm	13 13
Maksimum Delme kapasitesi		
Çelik/ahşap duvar	mm	13/38/13 13/38/13

Şarj cihazı	906068** (tip 1)	
Giriş Gerilimi	V_{AC}	220-240
Çıkış Gerilimi	V_{AC}	18
Akım	A	2
Yaklaşık şarj süresi	dk	60

Şarj cihazı	905902** (tip 1)	
Giriş Voltajı	V_{AC}	100-240
Çıkış Voltajı	V_{DC}	8-20
Akım	A	400
Yaklaşık olarak şarj zamanı	min.	180-300

Batarya	BL1514	BL1518	BL2018	
Voltaj	V_{DC}	14,4	18	18
Kapasite	Ah	1,5	1,5	2,0
Tip	Li-Ion	Li-Ion	Li-Ion	

EN 60745 uyarınca göre ses basıncı seviyesi:

Ses basıncı (L_{pA}) 91,5 dB(A), belirsizlik (K) 3 dB(A)
Ses gücü (L_{WA}) 102,5 dB(A), belirsizlik (K) 3 dB(A)

EN 60745 uyarınca titreşim toplam değerleri (üç eksenli vektör toplamı):

Beton delme etkisi ($a_{h, ID}$) 12,8 m/s², belirsizlik (K) 1,5 m/s²
Metal delme ($a_{h, D}$) < 2,5 m/s², belirsizlik (K) 1,5 m/s²
Etkisiz vida sıkıma ($a_{h, s}$) < 2,5 m/s², belirsizlik (K) 1,5 m/s²

EC uygunluk beyanı

MAKİNE DİREKTİFİ

**EGBHP146 / EGBHP148
EGBHP188 / EGBHP1881**

BLACK+DECKER "teknik veriler" altında, tanımlanan bu ürünlerin aşağıdakilere uygun olduğunu beyan eder: 2006/42/EC, EN 60745-1, EN 60745-2-1

Bu ürünler aynı zamanda 2014/30/EU ve 2011/65/EU Direktiflerine de uygundur. Daha fazla bilgi için, lütfen aşağıdaki adresten BLACK+DECKER ile iletişime geçin veya kılavuzun arkasına bakın.

Aşağıda imzası bulunan şahıs, teknik dosyanın derlenmesinden sorumludur ve BLACK+DECKER adına bu beyanata vermektedir.

R. Laverick

Mühendislik Müdürü BLACK+DECKER Europe,
210 Bath Road,
Slough, Berkshire, SL1 3YD Birleşik Krallık
09.2015

Çevrenin korunması

Ayrı olarak atın. Bu ürün, normal evsel atıklarla birlikte atılmamalıdır.

BLACK+DECKER ürününüzün değiştirilmesi gerektiğini düşünmeniz veya artık kullanılamaz durumda olması halinde onu, evsel atıklarla birlikte atmayın. Bu ürünü, ayrı olarak toplanacak şekilde atın.



Kullanılmış ürünlerin ve ambalajların ayrı olarak toplanması bu maddelerin geri dönüşüme sokularak yeniden kullanılmasına olanak tanır. Geri dönüşümlü maddelerin tekrar kullanılması çevre kirliliğinin önlenmesine yardımcı olur ve ham madde ihtiyacını azaltır.

Yerel yönetmelikler, elektrikli ürünlerin evlerden toplanıp belediye atık tesislerine aktarılması veya yeni bir ürün satın alırken perakende satıcı tarafından toplanması yönünde hükümler içerebilir.

BLACK+DECKER, hizmet ömrünün sonuna ulaşan BLACK+DECKER ürünlerinin toplanması ve geri dönüşme sokulması için bir imkan sunmaktadır. Bu hizmetin avantajlarından faydalanmak için, lütfen, ürününüzü bizim adımıza teslim alacak herhangi bir yetkili servise iade edin.

Bu kılavuzda belirtilen listeden size en yakın BLACK+DECKER yetkili tamir servisinin yerini öğrenebilirsiniz. Ya da, alternatif olarak internet'ten BLACK+DECKER yetkili tamir servislerinin listesini ve satış sonrası hizmetlerimizle ilgili tüm bilgiler ve temas bilgilerine aşağıdaki siteden ulaşabilirsiniz. www.2helpU.com

Garanti

BLACK+DECKER, ürünün kalitesinden emindir ve bu yüzden kanunlarda belirtilen taleplerin üstünde bir garanti verir. Ayrıca bu garanti hiçbir şekilde garanti ile ilgili kanuni haklarınızı ihlal etmez ve haklarınızı hiç bir şekilde kısıtlamaz.

Eğer bir BLACK+DECKER ürünü, satın alma tarihinden itibaren 24 ay içinde hatalı malzeme, işçilik ya da uygunsuzluk nedeniyle bozulursa, müşteriye mümkün olabilecek en az sorunu yaşatarak BLACK+DECKER hatalı kısımları değiştirmeyi, adil bir şekilde aşınmış ve yıpranmış ürünleri tamir etmeyi veya değiştirmeyi garanti eder. Ancak bu belirtilenler şu durumlar dışında geçerlidir:

- Ürün ticari veya profesyonel amaçlarla kullanılmışsa veya kiraya verilmişse;
- Ürün yanlış veya amaç dışı kullanılmışsa;
- Ürün yabancı nesnelere, maddelere veya kaza sırasında zarar görmüşse;
- Yetkili tamir servisleri veya Black + Decker servis ekibinden başkası tarafından tamir edilmeye çalışılmışsa.

Garanti talebinde bulunmak için, satıcıya veya yetkili tamir servisine satın aldığınıza dair ispat sunmalısınız. Fatura ve garanti kartı gerekmektedir. Bu kılavuzda belirtilen listeden size en yakın BLACK+DECKER yetkili tamir servisinin yerini öğrenebilirsiniz. Ya da, alternatif olarak internet'ten BLACK+DECKER yetkili tamir servislerinin listesini ve satış sonrası hizmetlerimizle ilgili tüm bilgiler ve temas bilgilerine aşağıdaki siteden ulaşabilirsiniz. www.2helpU.com

Призначення

Ваш дріль/шурупверт BLACK + DECKER призначений для загвинчування шурупів та свердління дерева, металів, пластмас та м'якої цегляної кладки. Цей інструмент призначений тільки для використання споживачем.

Вказівки з техніки безпеки

Загальні вказівки щодо безпечної роботи з електричним інструментом



Увага! Уважно прочитайте всі попереджувальні написи та вказівки щодо безпечної роботи. Недотримання

попереджувальних написів і вказівок щодо безпечної роботи може призвести до ураження електричним струмом, пожежі та/або серйозних травм персоналу.

Зберігайте всі попереджувальні написи та вказівки щодо безпечної роботи для використання в майбутньому. Термін «електричний інструмент», що використовується у всіх застережливих написах та вказівках щодо техніки безпеки, представлені нижче, відносяться до електричного інструменту, який працює від мережі (зі шнуром електроживлення) або від акумуляторної батареї (без шнура живлення).

1. Вказівки з безпеки на робочому місці

- a. **Робоче місце повинне утримуватися в чистоті і мати належне освітлення.** Безлад або погане освітлення на робочому місці може призвести до нещасного випадку.
- b. **Забороняється використання електричного інструменту у вибухонебезпечному середовищі, наприклад, в умовах наявності легкозаймистих рідин, газів або пилу.** Іскри, що виникають при роботі електричного інструменту, можуть запалити пил, пари і газу.
- c. **Забороняється перебування дітей та сторонніх осіб поблизу працюючого електричного інструменту.** Відволікаючі фактори можуть призвести до втрати контролю за роботою інструменту.

2. Електрична безпека

- a. **Вилка шнура електричного інструменту повинна відповідати мережевій розетці.** Забороняється вносити які-небудь зміни у вилку електричного шнура. Забороняється використання будь-яких штепсельних перехідників при роботі заземленого електричного інструменту.

Відсутність змін у вилках електричних шнурів та відповідність електричних вилок і розеток знижує ризик ураження електричним струмом.

- b. **Не допускайте контакту тіла із заземленими поверхнями таких об'єктів, як труби, радіатори, електророзетки та холодильники.** Якщо ваше тіло заземлене, ризик його ураження електричним струмом підвищується.
 - c. **Електричні інструменти не повинні піддаватися впливу дощу та знаходитися в умовах підвищеної вологості.** При попаданні вологи всередину електричного інструменту підвищується ризик ураження електричним струмом.
 - d. **Забороняється використовувати електричний шнур не за призначенням.** Ніколи не беріть, не тягніть та не виймайте електричний інструмент за шнур. Електричний шнур не повинен знаходитися поблизу джерел тепла, масла, гострих країв та рухомих деталей. Пошкоджені та закручені електричні шнури підвищують ризик ураження електричним струмом.
 - e. **При роботі електричного інструменту на відкритому повітрі використовуйте відповідний з'єднувач.** Використання подовжувача, призначеного для роботи на відкритому повітрі, знижує ризик ураження електричним струмом.
 - f. **Якщо роботи за допомогою електричного інструменту всередині вологого приміщення повинні бути виконані обов'язково, в такому випадку необхідно використовувати пристрій захисного відключення (ПЗВ) електричної мережі.** Використання ПЗВ знижує ризик ураження електричним струмом.
- ### 3. Безпека персоналу
- a. **При роботі з електричним інструментом необхідно бути обачним, бачити виконувану роботу та керуватися здоровим глуздом.** Забороняється працювати з електричним інструментом у стані втоми та під впливом наркотиків, алкоголю і лікарських препаратів. Ослаблення уваги навіть на мить може призвести до серйозної травми.
 - b. **Використовуйте засоби індивідуального захисту.** Завжди надягайте засоби захисту очей. Використовувані у відповідних умовах засоби індивідуального захисту, такі як пилезахисна маска, не ковзаночне захисне взуття, захисна каска або засоби захисту органів слуху завжди знижують ризик травмування.

- c. Не допускайте ненавмисного вмикання інструменту. Перед тим, як підключити джерело живлення або акумулятор, піднімаючи або несучи інструмент, перевірте, щоб його вимикач знаходився у вимкненому положенні. Перенесення інструменту пальцем, розташованому на його вимикачі, або увімкненого інструменту підвищує ризик нещасного випадку.
- d. Перед включенням інструменту завжди знімайте з нього регульовальний та гайковий ключ. Залишений ключ на деталі інструменту, що обертається, може призвести до травмування.
- e. Не прикладайте до інструменту надмірне зусилля під час роботи. Завжди міцно тримайтеся на ногах та зберігайте рівновагу під час роботи. Це дозволяє краще контролювати електричний інструмент в непередбачених ситуаціях.
- f. Одягайте відповідний одяг. Забороняється одягати вільний одяг та прикраси. Волосся, одяг та рукавиці повинні знаходитися на відстані від рухомих деталей інструменту. Вільний одяг, прикраси або довге волосся можуть бути захоплені рухомими деталями.
- g. Якщо встановлені пристрої підключення засобів пиловловлювання та пилозбірників, необхідно перевіряти, щоб вони були підключені та використовувалися належним чином. Використання засобів пиловловлювання знижує рівень ризику, пов'язаного з наявністю пилу в повітрі.
4. Використання та догляд за електричним інструментом
- a. Не застосовуйте надмірне зусилля до електричного інструменту. Використовуйте електричний інструмент, відповідний виконуваному завданню. При використанні належного інструменту ви виконаєте роботу краще, з меншим ризиком та зі швидкістю, на яку розрахований ваш інструмент.
- b. Забороняється використовувати інструмент, якщо його вимикач не вмикається і не вимикається. Будь-який електричний інструмент, роботою якого не можна керувати за допомогою його вимикача, являє собою небезпеку та підлягає обов'язковому ремонту.
- c. Перед виконанням регулювання електричного інструменту, заміною його приладдя і постановкою на зберігання необхідно виїняти вилку його електричного шнура з розетки та/або дістати з нього акумулятор. Така превентивна міра безпеки знижує ризик випадкового увімкнення інструменту.
- d. Зберігайте електричний інструмент, який в даний момент не використовується, в недоступному для дітей місці та не дозволяйте працювати з інструментом особам, які не знайомі з ним або з цими вказівками. Електричний інструмент є небезпечним в руках ненавченої людини.
- e. Підтримуйте інструмент в робочому стані. Перевіряйте центровку та з'єднання рухомих деталей, наявність пошкоджених деталей та будь-які фактори, які можуть негативно позначитися на роботі електричного інструменту. У разі виявлення пошкодження електричний інструмент необхідно відремонтувати. Багато нещасних випадків відбувається внаслідок того, що інструмент знаходиться в неналежному стані.
- f. Ріжучі інструменти повинні бути гостро заточеними і чистими. Підтримуваний в належному робочому стані ріжучий інструмент з гострими ріжучими крайками менше застряє та легше управляється.
- g. Використовуйте електричний інструмент, приладдя, вставні різці та ін. відповідно до даних вказівок, враховуючи умови експлуатації та роботу, яка повинна бути виконана. Використання електричного інструменту з метою, відмінною від передбаченого призначення, може призвести до небезпечної ситуації.
5. Використання та догляд за акумуляторною батареєю
- a. Зарядка акумуляторної батареї повинна виконуватися тільки за допомогою того зарядного пристрою, який вказав виробник акумуляторної батареї. Якщо зарядний пристрій, який підходить для одного типу акумулятора, використовувати для зарядки акумулятора іншого типу, це може призвести до виникнення пожежонебезпечної ситуації.
- b. Використовуйте електричний інструмент тільки з конкретно зазначеними акумуляторними батареями. Використання будь-яких інших акумуляторних батарей підвищує ризик травмування та виникнення пожежонебезпечної ситуації.
- c. Якщо акумуляторна батарея не використовується, вона повинна зберігатися окремо від металевих предметів, таких як канцелярські скріпки, монети, ключі, цвяхи, шурупи та інші невеликі металеві предмети, які можуть замкрити клемми батареї. Коротке замикання акумулятора може призвести до їх вигорання або загоряння акумулятора.

d. В умовах неправильної експлуатації рідкий електроліт може бути викинутий з акумуляторної батареї, тому слід остерігатися контакту з електролітом. Якщо стався випадковий контакт з рідким електролітом, промийте це місце водою. Якщо рідина потрапила в очі, необхідно також звернутися за медичною допомогою. Контакт з рідиною, викинутою з акумуляторної батареї, може призвести до подразнення або опіків.

6. Обслуговування

a. Обслуговувати електричний інструмент повинен тільки кваліфікований ремонтний персонал, і при цьому повинні використовуватися тільки оригінальні запасні деталі. Завдяки цьому буде підтримуватися безпечний робочий стан електричного інструменту.

Додатковий вказівки щодо безпечної роботи з електричним інструментом



Увага! Додаткові вказівки щодо безпечної роботи з дрелями та ударними дрелями

- При роботі з ударними дрелями надягайте засоби захисту органів слуху. Вплив шуму може призвести до порушення слуху.
- Використовуйте допоміжні рукоятки, які поставляються разом з інструментом. Втрата управління інструментом може призвести до травмування.
- Під час виконання робіт, коли ріжуча деталь електричного інструменту може стикатися з прихованою електропроводкою, інструмент необхідно тримати за діелектричну поверхню. При контакті ріжучої деталі з проводом під напругою, під напругу можуть потрапити металеві деталі електричного інструменту, внаслідок чого виникає небезпека ураження оператора електричним струмом.
- Під час виконання робіт, коли кріпильна деталь електричного інструменту може стикатися з прихованою електропроводкою, інструмент необхідно тримати за діелектричну поверхню. При контакті кріпильної деталі з проводом, що під напругою, під напругу можуть потрапити металеві деталі електричного інструменту, внаслідок чого виникає небезпека ураження оператора електричним струмом.
- Для фіксації положення оброблюваної деталі на стійкій основі використовуйте затискачі або інший зручний і практичний спосіб. Якщо тримати деталь руками або притискати її до тіла, вона буде

перебувати в незакріпленому положенні, що може призвести до втрати контролю за роботою інструменту.

- Перед виконанням свердління стін, підлог і стель перевіряйте розташування електропроводки і труб.
- Не торкайтеся наконечника свердла дрилі після свердління, оскільки він може бути гарячим.
- Цей інструмент не призначений для використання особами (включаючи дітей) з обмеженими фізичними, сенсорними або розумовими здібностями або особами, у яких відсутній необхідний досвід і знання, крім випадків, коли вони знаходяться під наглядом і отримали належні інструкції по роботі з інструментом від особи, відповідальної за їхню безпеку. Щоб діти не гралися з інструментом, вони повинні знаходитися під наглядом.
- Призначення інструменту описане в цій інструкції з експлуатації. Використання будь-якого приладдя і додаткових пристосувань разом з цим інструментом або використання інструменту в цілях, які не рекомендовані в цій інструкції, може призвести до виникнення ризику травмування персоналу та пошкодження майна.

Вібрація

Рівні вібрації, зазначені в технічних даних та декларації відповідності, були виміряні у відповідності зі стандартним методом випробувань, викладеним в EN 60745, і можуть використовуватися для порівняння інструментів. Заявлений рівень вібрації може також використовуватися для попередньої оцінки їх впливу.

Увага! Рівень вібрації під час роботи електричного інструменту може відрізнятися від заявленого рівня вібрації, оскільки він залежить від конкретно виконуваної інструментом роботи. Рівень вібрації може бути нижче встановленого рівня.

При оцінці впливу вібрації для визначення заходів безпеки, необхідних 2 002/44 / ЕС для захисту осіб, які постійно працюють з електричними інструментами, необхідно враховувати реальні умови використання та спосіб використання інструменту, вмикаючи всі деталі робочого циклу, такі як час автоматичного вимкнення та холостого ходу додатково до часу запуску.

Залишковий ризик

Додатковий залишковий ризик може виникнути у випадках використання інструменту, які можуть бути не враховані в перерахованих вказівках щодо безпечної роботи. Який ризик може виникати при неправильному використанні, тривалому використанні та ін.

Навіть при дотриманні всіх відповідних правил техніки безпеки та використанні захисних пристроїв деякий залишковий ризик все ж залишається. Він включає:

- Травми, отримані при торканні обертових і рухомих деталей.
- Травми, отримані при заміні деталей, ножів та приладдя.
- Травми, отримані внаслідок тривалого використання інструменту. При тривалому використанні інструменту необхідно робити регулярні перерви в роботі.
- Погіршення слуху;
- Шкода для здоров'я, викликана вдиханням пилу, яка з'являється під час роботи інструменту (наприклад, при роботі з деревом, особливо з дубом, буком або ДВП).

Наклейки на інструменті

До поверхні інструменту прикріплені наступні графічні зображення:



Увага! Для зменшення ризику травмування оператор повинен прочитати цю інструкцію з експлуатації.

Додаткові вказівки щодо безпечного використання акумуляторних батарей та зарядних пристроїв

Акумуляторні батареї

- Незалежно від причини, ніколи не намагайтеся розкрити акумуляторну батарею.
- Не піддавайте акумулятор дії води.
- Не зберігайте акумуляторні батареї в місцях, де температура повітря може перевищувати 40°C.
- Зарядку акумуляторної батареї необхідно виконувати при температурі навколишнього повітря в межах від 10°C до 40°C.
- Зарядку акумуляторної батареї необхідно виконувати тільки за допомогою зарядного пристрою, що поставляється разом з батареєю.
- Утилізацію акумуляторних батарей необхідно проводити відповідно до вказівок, що містяться в розділі «Захист навколишнього середовища».



Не намагайтеся заряджати пошкоджені акумуляторні батареї.

Зарядні пристрої

- Використовуйте зарядний пристрій BLACK+DECKER тільки для зарядки акумуляторної батареї для інструменту, з яким вона була поставлена. При зарядці інших акумуляторних батарей може відбуватися вибух, що приводить до травмування людей і пошкодження обладнання.
- Ніколи не намагайтеся заряджати акумуляторні батареї.
- Пошкоджені електричні шнури необхідно замінювати негайно.
- Не піддавайте зарядний пристрій впливу води.
- Не відкривайте зарядний пристрій.
- Не вимірюйте характеристики зарядного пристрою електричними приладами.



Зарядний пристрій призначений тільки для використання у приміщенні.



Перед використанням прочитайте інструкцію з експлуатації.

Електрична безпека



Ваш зарядний пристрій має подвійну ізоляцію, і тому дроті заземлення йому не потрібен. Завжди перевіряйте, щоб мережева напруга відповідала значенню, зазначеному в таблиці з паспортними даними. Ніколи не намагайтеся замінити вилку в блоці зарядного пристрою звичайною мережевою вилкою.

- У разі пошкодження кабелю живлення, щоб уникнути виникнення небезпечних ситуацій, його заміну повинен виконати виробник обладнання або уповноважений сервісний центр BLACK+DECKER.

Функції

Цей інструмент може володіти всіма або деякими з перерахованих нижче функцій.

1. Перемикач кількості обертів
2. Рухомий перемикач прямого/зворотного напрямку обертання
3. Перемикач режимів/кільце регулювання обертового моменту
4. Затискний патрон
5. Перемикач швидкості

6. Тримач
7. Акумуляторна батарея

Рис. А

8. Зарядний пристрій
9. Індикатор зарядного пристрою

Збірка

Увага! Перед виконанням збірки дістаньте акумулятор з інструменту.

Установка та видалення акумуляторної батареї (Рис. В)

- Щоб поставити акумуляторну батарею (7), вирівняйте її по прийомному гнізду інструменту. Введіть акумулятор в гніздо і натисніть, щоб заклацнувся на своєму місці.
- Щоб дістати акумуляторну батарею, натисніть кнопку розблокування (10), одночасно виймаючи акумулятор з приймального гнізда.

Установка й зняття свердла дрילה і наконечника шурупверта

Цей інструмент оснащений безключевим патроном, що дозволяє легко міняти свердла.

- Заблокуйте інструмент, встановивши рухливий перемикач прямого/зворотного напрямку обертання (2) в центральне положення.
- Розкрийте затискний патрон (4), повертаючи передню частину однією рукою і утримуючи задню частину іншою.
- Вставте хвостовик свердла в патрон.
- Щільно закрутіть затискний патрон, повертаючи передню частину (4) однією рукою і утримуючи інструмент іншою рукою.

Цей інструмент постачається з двостороннім наконечником шурупверта у тримачі (6).

- Щоб дістати наконечник шурупверта з тримача, висуньте його з паза рухом угору .
- Щоб вставити наконечник шурупверта, щільно натисніть на нього та введіть у тримач.

Робота інструмента

Увага! Дайте можливість інструменту працювати з

природною швидкістю. Не перевантажуйте його.

Увага! Перед виконанням свердління стін, підлогу і стелю перевіряйте розташування електропроводки і труб.

Зарядка акумуляторної батареї (Рис. А)

Зарядка акумуляторної батареї повинна бути виконана перед її першим використанням і кожен раз, коли вона не в змозі забезпечувати потужність, необхідну для виконання роботи, хоча перед цим робота була виконана легко. Під час зарядки акумуляторна батарея може нагріватися; це нормально і не означає наявності проблеми.

Увага! Заборонено заряджати акумуляторну батарею при температурі повітря нижче 10 °С і вище 40 °С. Рекомендована температура повітря для зарядки складає близько 24 °С.

Примітка: Зарядний пристрій не буде заряджати акумуляторну батарею, якщо температура її елемента становить приблизно нижче 0 °С або вище 40 °С. Акумулятор треба залишати у зарядному пристрої, яке автоматично почне виконувати зарядку, коли температура елемента ввійде у вказані межі (підніметься або знизиться).

- Щоб зарядити акумуляторну батарею (7) вставте її у зарядний пристрій(8). Акумуляторні батареї можна вставити у зарядний пристрій одним способом. Не прикладайте при цьому надмірне зусилля. Перевірте, чи акумуляторна батарея повністю стала на своє місце у зарядному пристрої.
- Вставте зарядний пристрій у розетку та ввімкніть живлення.

Індикатор зарядки (9) буде світитися блимає зеленим світлом (повільно).

Коли зарядка буде завершена, індикатор (9) припинить блимати та буде світитися безперервно. Зарядний пристрій та акумуляторну батарею можна залишати з'єднаними на необмежений час, незалежно від стану індикаторів. Світлодіодний індикатор буде блимати зеленим світлом (зарядка) кожного разу, коли зарядний пристрій буде періодично підзаряджати акумулятор. Індикатор зарядки (9) буде світитися весь час, коли батарея підключена до зарядного пристрою.

- Виконуйте підзарядку розрядженої акумуляторної батареї не більше одного тижня. Якщо акумуляторну батарею зберігати в розрядженому стані, строк її придатності істотно скоротиться.

Залишення акумуляторної батареї у зарядному пристрої.

Зарядний пристрій та акумуляторну батарею можна залишати з'єднаними на необмежений час з активним світлодіодним індикатором. Зарядний пристрій буде підтримувати акумуляторну батарею у повністю зарядженому стані.

Діагностика зарядного пристрою

Якщо зарядний пристрій виявить слабку або пошкоджену акумуляторну батарею, індикатори зарядки (9) будуть з блимати червоним світлом великою швидкістю. У такому випадку виконайте такі дії:

- Вставте акумуляторну батарею (7).
- Якщо індикатори зарядки блимають червоним світлом з великою швидкістю, використовуйте іншу батарею, щоб упевнитися, що процес зарядки йде належним чином.
- Якщо заміна акумуляторна батарея заряджається правильно, оригінальна батарея несправна і її слід повернути на утилізацію до сервісного центру.
- Якщо з новою акумуляторною батареєю стан індикаторів не змінився, необхідно віднести зарядний пристрій на перевірку до уповноваженого сервісного центру.

Примітка: Для того, щоб визначити, що батарея несправна, може знадобитися до 60 хвилин. Якщо батарея занадто гаряча або холодна, світлодіод буде блимати червоним світлом поперемінно швидко і повільно: один спалах на кожну швидкість і цикл повторюється.

Вибір напрямку обертання (Рис. С)

Для свердління та закручування шурупів використовуйте прямий (за годинниковою стрілкою) напрямок обертання. Для викручування шурупів і видалення застряглого свердла дріль використовуйте зворотний (проти годинникової стрілки) напрямок обертання.

- Щоб вибрати прямий напрямок обертання, перемістіть рухливий перемикач прямого/зворотного напрямку обертання (2) вліво.
- Щоб вибрати зворотний напрямок обертання, перемістіть рухливий перемикач прямого/зворотного напрямку обертання вправо.
- Щоб заблокувати інструмент, встановіть рухливий перемикач прямого/зворотного напрямку обертання в центральне положення.

Вибір режиму роботи або крутного моменту (Рис. D)

Цей інструмент оснащений кільцем для вибору режиму роботи та завдання крутного моменту для затягування шурупів. Для великих шурупів і деталей з твердих матеріалів необхідно збільшувати крутний момент у порівнянні з невеликими шурупами і деталями з м'яких матеріалів. Кільце має великий діапазон налаштувань, які охоплюють всі види ваших робіт.

- Для виконання свердління дерева, металів і пластмас, встановіть кільце (3) в положення свердління, виставивши символ напроти мітки (11).
- Для закручування шурупів встановіть необхідне налаштування кільця. Якщо ви ще не знаєте, яке налаштування вам встановити, виконайте такі дії:
 - Встановіть кільце (3) в положення мінімального крутного моменту.
 - Закрутіть перший шуруп.
 - Якщо почнуться переривчасті рухи патрона до того, як шуруп буде повністю закручений, збільшіть налаштування крутного моменту і продовжуйте закручувати шуруп. Повторюйте ці дії до тих пір, поки не буде знайдено необхідне налаштування. Використовуйте це налаштування для закручування інших шурупів.

ЕГВНР148/ЕГВНР188/ЕГВНР1881 - Свердління цегляної кладки (Рис. D та E)

- Для свердління цегляної кладки встановіть кільце (3) в положення свердління, виставивши символ напроти мітки.
- Перемістіть перемикач швидкості (5) вперед (2-а швидкість).

Перемикач швидкості (Рис. E)

- Для свердління сталі та загвинчування шурупів перемістіть перемикач швидкості (5) назад (1-а швидкість).
- Для свердління інших матеріалів перемістіть перемикач швидкості (5) вперед (2-а швидкість).
- Свердління/загвинчування шурупів
- Оберіть прямий або зворотний напрямок обертання з допомогою рухливого інструмента прямого/зворотного напрямку обертання (2).
- Щоб ввімкнути інструмент, натисніть на вимикач (1). Швидкість обертання інструмента залежить від того, якою мірою ви натиснули (втопили) пусковий вимикач.

- Щоб вимкнути інструмент, відпустіть вимикач.

Поради для ефективного використання інструменту

Свердління

- Завжди прикладайте невелике зусилля вздовж осі обертання свердла.
- Перед тим, як свердло пройде через зворотну сторону деталі, необхідно зменшити тиск на інструмент.
- Для підтримки деталей, які можуть розколотися використовуйте дерев'яні бруски.
- Для свердління у дереві отворів великого діаметру використовуйте перові свердла.
- Для свердління металу використовуйте свердла з високоміцної сталі.
- Для свердління м'якої цегляної кладки використовуйте свердла з тонкостінною алмазної коронкою.
- Для свердління металів, крім чавуну і латуні, використовуйте мастило.
- Для збільшення точності в центрі отвору, який буде висвердлено, накерніть мітку кернером.

Закручування шурупів

- Завжди використовуйте наконечник шуруповерта належного типу і розміру.
- Якщо шуруп закручується туго, спробуйте використовувати в якості мастила трохи промивної рідини або мила.
- Інструмент і наконечник завжди повинні знаходитися на одній осі з шурупом.

Технічне обслуговування

Конструкція вашого інструмента BLACK+DECKER розрахована на роботу протягом тривалого періоду часу при мінімальному технічному обслуговуванні. Тривала задовільна робота інструменту забезпечується належним доглядом і регулярним чищенням.

Крім періодичного очищення зарядний пристрій не вимагає іншого технічного обслуговування.

Увага! Перед виконанням будь-яких дій з технічного обслуговування інструменту, дістаньте з нього акумуляторну батарею. Перед проведенням очищення зарядного пристрою вийміть його штепсельну вилку з розетки.

- Регулярно очищуйте вентиляційні прорізи в інструменті і зарядному пристрої за допомогою м'якої щітки або сухої тканини.
- Регулярно очищуйте корпус двигуна за допомогою вологої тканини.
- Не використовуйте для очищення абразивні матеріали та чистячі засоби на основі неводних розчинників.
- Регулярно розкривайте і вибивайте затиснений патрон, щоб видалити пил з його внутрішньої частини.

Акумуляторні батареї



Акумуляторні батареї BLACK+DECKER можна перезаряджати багато разів. Після завершення терміну служби виконайте утилізацію акумуляторної батареї відповідно до екологічних норм:

- Коли акумуляторна батарея повністю виробить свій ресурс, дістаньте її з інструменту.
- NiCd, NiMH і літій-іонні акумуляторні батареї придатні для вторинної переробки. Відправте їх будь-якому уповноваженому представнику з ремонту або в місцевий центр із вторинної переробки.

Технічні дані

EGBHP146 (H1)		
Напруга	Впост. ст. 14,4	
Швидкість холостого ходу	Хв ⁻¹	0-350/ 0-1500
Макс. крутний момент	Нм	36
Найбільший діаметр свердла в патроні	мм	13
Найбільший діаметр свердління		
Сталь/деревина	мм	13/38

	EGVHP148 (H1)	EGVHP188 / EGVHP1881 (H1)
Напруга	Впост.ст. 14,4	18
Швидкість холостого ходу	Хв ⁻¹	0-1500
Макс. крутний момент	Нм	36
Найбільший діаметр свердла в патроні	мм	13
Найбільший діаметр свердління		13
Сталь/дерево цегляна кладка	мм	13/38/13

Зарядний пристрій	906068** (тип 1)	
ВходВхідна напруга	Взм. ст.	220-240
Вихідна напруга	Впост. ст.	18
Струм	А	2
Приблиз. час зарядки	хв	60

Зарядний пристрій	905902** (тип 1)	
Вхідна напруга	Взм.ст.	100-240
Вихідна напруга	Впост.ст.	8-20
Струм	А	400
Приблизний час зарядки	хв	180-300

Акумуляторна батарея	BL1514	BL1518	BL2018
Напруга	Впост.ст. 14,4	18	18
Ємність	Ah	1,5	2,0
Тип	Li-Ion	Li-Ion	Li-Ion

Рівень звукового тиску згідно EN 60745:	
Звуковий тиск (L _{рА})	91,5 дБ(А), невизначеність (К) 3 дБ(А)
Потужність звуку (L _{WA})	102,5 дБ(А), невизначеність (К) 3 дБ(А)

Сумарні рівні вібрації (сума векторів по тим осях) згідно EN 60745:	
Вплив свердління бетону (ah, ID)	12,8 м/с ² , невизначеність (К) 1,5 м/с ²
Свердління металу (ах, D)	<2,5 м/с ² , невизначеність (К) 1,5 м/с ²
Загвинчування шурупів без впливу (аh, s)	<2,5 м/с ² , невизначеність (К) 1,5 м/с ²

Декларація відповідності ЄС
ДИРЕКТИВА З МАШИНОГО ОБЛАДНАННЯ



EGVHP146 / EGVHP148
EGVHP188 / EGVHP1881

BLACK+DECKER заявляє, що вироби, описані в «технічних даних», відповідають: 2006/42/EC, EN 60745-1, EN 60745-2-1

Ці продукти також відповідають Директивам 2014/30/EC та 2011/65/EU. Для отримання більш детальної інформації, зв'яжіться з компанією BLACK+DECKER за адресою, яка вказана нижче або на зворотній стороні інструкції.

Нижчепідписаний є відповідальним за складання файлу з технічними даними та підписує цю декларацію від імені BLACK+DECKER.

R. Laverick
Головний інженер BLACK+DECKER Europe,
210 Bath Road,
Slough, Berkshire, SL1 3YD United Kingdom
09.2015

Захист навколишнього середовища



Роздільний збір відходів. Забороняється утилізувати цей продукт разом зі звичайними побутовими відходами.

Якщо ви вирішите, що ваш виріб BLACK+DECKER необхідно замінити, або якщо ви не будете його більше використовувати, не утилізуйте його разом з побутовими відходами. Цей продукт підлягає роздільному збору відходів.



Роздільний збір використаних продуктів та пакувальних матеріалів дозволяє здійснювати їх вторинну переробку з подальшим повторним використанням. Повторне використання матеріалів, що пройшли вторинну переробку, знижує забруднення навколишнього середовища та зменшує потребу в сировинних матеріалах.

Нормативні акти місцевих органів влади можуть передбачати збір використаних електричних виробів окремо від побутових відходів, в муніципальних пунктах збору відходів або в магазині при покупці нового обладнання.

BLACK+DECKER представляє можливість для збору та повторної переробки продуктів BLACK+DECKER після закінчення терміну їх служби. Щоб скористатися перевагою цього сервісу, будь ласка, надішліть ваш продукт будь-якому уповноваженому представнику з ремонту, який збирає такі вироби від нашого імені.

Ви можете дізнатися адресу вашого найближчого уповноваженого представника з ремонту, зателефонувавши в регіональне представництво BLACK+DECKER, вказане в цій інструкції. Крім того, список уповноважених представників з ремонту BLACK+DECKER, детальну інформацію про обслуговування після продажу та контактні дані можна знайти на сайті www.2helpU.com.

Гарантійні зобов'язання

Black + Decker впевнена в якості своїх виробів та надає виняткову гарантію. Дана заява про гарантії доповнює і ні в якій мірі не порушує ваші законні права.

Якщо продукт виробництва Black + Decker прийде в непридатність внаслідок неякісних матеріалів, неякісного виготовлення або невідповідності вимогам, BLACK+DECKER гарантує в межах 24-х місяців з дати продажу виконувати заміну дефектних деталей, виконувати ремонт виробів, які зазнали природного зносу, або виконувати заміну таких виробів, для зведення до мінімуму незручностей для покупця, за винятком перерахованих нижче випадків:

- Даний продукт був використаний для продажу, на промислових роботах або здавався на прокат.
- Даний продукт використовувався неправильно або без належного догляду.
- Даному продукту було завдано збитків сторонніми предметами, речовинами або внаслідок надзвичайної події.
- Була здійснена спроба ремонту продукту особами, які не є уповноваженими представниками з ремонту або ремонтно-обслуговуючим персоналом Black + Decker.

Щоб заявити претензію по гарантії, необхідно буде надати підтвердження покупки продавцю або уповноваженому представнику з ремонту. Ви можете дізнатися адресу вашого найближчого уповноваженого представника з ремонту, зателефонувавши в регіональне представництво BLACK+DECKER, вказане в цій інструкції. Крім того, список уповноважених представників з ремонту BLACK+DECKER, детальну інформацію про обслуговування після продажу та контактні дані можна знайти на сайті www.2helpU.com.



Гарантійні умови

Шановний покупець!

1. Вітаємо Вас з покупкою високоякісного виробу BLACK + DECKER і висловлюємо вдячність за Ваш вибір.
2. При покупці виробу вимагайте перевірки його комплектності і справності у Вашій присутності, інструкцію за експлуатації та заповнений гарантійний талон українською мовою

В гарантійному талоні повинні бути внесені: модель, дата продажу, серійний номер, дата виробництва інструменту; назва, печатка і підпис торгової організації. За відсутності у Вас правильно заповненого гарантійного талону, а також при невідповідності зазначених у ньому даних ми будемо змушені відхилити Ваші претензії щодо якості даного виробу.

3. Щоб уникнути непорозумінь, переконливо просимо Вас перед початком роботи з виробом уважно ознайомитися з інструкцією з його експлуатації. Правовою основою справжніх гарантійних умов є чинне Законодавство. Гарантійний термін на даний виріб складає 24 місяці і обчислюється з дня продажу. У разі усунення недоліків виробу, гарантійний строк продовжується на період його перебування в ремонті. Термін служби виробу становить 5 років з дня продажу.
4. У разі виникнення будь-яких проблем у процесі експлуатації виробу рекомендуємо Вам звертатися тільки в уповноважені сервісні центри BLACK + DECKER, адреси та телефони яких Ви зможете знайти в гарантійному талоні, на сайті www.2helpU.com або дізнатися в магазині. Наші сервісні станції - це не тільки кваліфікований ремонт, але і широкий асортимент запчастин і аксесуарів.
5. Виробник рекомендує проводити періодичну перевірку і технічне обслуговування виробу в уповноважених сервісних центрах.
6. Наші гарантійні зобов'язання поширюються тільки на несправності, виявлені протягом гарантійного терміну і викликані дефектами виробництва та \ або матеріалів.
7. Гарантійні умови не поширюються на несправності виробу, що виникли в результаті:
 - 7.1 Недотримання користувачем приписів інструкції з експлуатації виробу, застосування виробу не за призначенням, неправильного зберігання, використання приладдя, витратних матеріалів і запчастин, що не передбачені виробником.

- 7.2 Механічного пошкодження (відколи, тріщини і руйнування) внутрішніх і зовнішніх деталей виробу, основних і допоміжних рукояток, мережевого кабелю, що викликані зовнішнім ударним або будь-яким іншим впливом
- 7.3 Потраплення у вентиляційні отвори та проникнення всередину виробу сторонніх предметів, матеріалів або речовин, що не є відходами, які супроводжують застосування виробу за призначенням, такими як: стружка, тирса, пісок, та ін.
- 7.4 Впливу на виріб несприятливих атмосферних і інших зовнішніх факторів, таких як дощ, сніг, підвищена вологість, нагрівання, агресивні середовища, невідповідність параметрів електромережі, що зазначені на інструменті.
- 7.5 Стихійного лиха. Пошкодження або втрати виробу, що пов'язані з непередбаченими лихами, стихійними явищами, у тому числі внаслідок дії непереборної сили (пожежа, блискавка, потоп і інші природні явища), а також внаслідок перепадів напруги в електромережі та іншими причинами, які знаходяться поза контролем виробника.
8. Гарантійні умови не поширюються:
 - 8.1. На інструменти, що піддавались розкриттю, ремонту або модифікації поза уповноваженим сервісним центром.
 - 8.2. На деталі, вузли та матеріали, що мають сліди природного зносу, такі як: приводні ремені і колеса, вугільні щітки, мастило, підшипники, зубчасті зчеплення редукторів, гумові ущільнення, сальники, направляючі ролики, муфти, вимикачі, бойки, штовхачі, стволы тощо.
 - 8.3. На змінні частини: патрони, цанги, затискні гайки і фланці, фільтри, акумуляторні батареї, ножі, шліфувальні підшови, ланцюги, зірочки, пильні шини, захисні кожухи, пилки, абразиви, пильні і абразивні диски, фрези, свердла, бури тощо
 - 8.4. На несправності, що виникли в результаті перевантаження інструменту (як механічного, так і електричного), що спричинили вихід з ладу одночасно двох і більше деталей і вузлів, таких як: ротора і статора, обох обмоток статора, веденої і ведучої шестерень редуктора або інших вузлів і деталей. До безумовних ознак перевантаження виробу відносяться, крім інших: поява кольорів мінливості, деформація або оплавлення деталей і вузлів виробу, потемніння або обуглювання ізоляції проводів електродвигуна під впливом високої температури.



Виробник:
"Stanley BLACK+DECKER Deutschland
GmbH" Black-&-Decker Str.40, D-65510
Idstein, Німеччина

الضمان

تتق بلاك أند ديكر بجودة منتجاتها وتقدم ضماناً مميزاً. ويكون بيان الضمان هذا بالإضافة ولا يخل بأي حال من الأحوال بالحقوق القانونية.

إذا أصبح منتج بلاك أند ديكر معيباً بسبب عيوب المواد والصناعة وعدم المطابقة، تضمن بلاك أند ديكر في غضون ٢٤ شهراً من تاريخ الشراء استبدال الأجزاء المعيبة وإصلاح المنتجات مع مراعاة البلي باستخدام العادي أو استبدال هذه المنتجات للتأكد من رضا العملاء ما لم:

- تم استخدام المنتج لأغراض تجارية أو مهنية أو للتأجير.
- إهمال أو إساءة استخدام المنتج.
- تعرض المنتج لتلف بسبب مواد أو أغراض غريبة أو الحوادث.
- محاولة إجراء عمليات الإصلاح من قبل الأشخاص الآخرين بخلاف وكلاء الإصلاح المصرح بهم أو فريق الخدمة التابع لبلاك أند ديكر.

للمطالبة بالضمان، يجب تقديم إثبات الشراء للبائع أو وكيل البيع المعتمد. ويمكنك معرفة مكان أقرب وكيل إصلاح معتمد بمراجعة مكتب بلاك أند ديكر المحلي في العنوان المشار إليه في الدليل. كما تتوفر قائمة بوكلاء الإصلاح المعتمدين لدى بلاك أند ديكر وبيانات خدمات ما بعد البيع والاتصال على الموقع الإلكتروني: www.2helpU.com.

حماية البيئة

تجميع منفصل. يجب عدم إلقاء هذا المنتج مع
المخلفات المنزلية.



إذا تبين لك في أحد الأيام بأنه يجب تبديل جهاز بلاك أند ديكر
الخاص بك أو لم تعد بحاجة لاستخدامه. لا تتخلص منه مع
المخلفات المنزلية. وقم بتوفير هذا المنتج للتجميع المنفصل.

يمكن التجميع المنفصل للمنتجات والعبوات
المستخدمة من إعادة تدوير المواد واستخدامها مرة
أخرى، إذ يساعد إعادة استخدام المواد المعاد تدويرها على منع
التلوث البيئي وخفض الطلب على المواد الخام



قد تنص التشريعات المحلية على تجميع منفصل للمنتجات
الكهربائية عن المخلفات المنزلية في مواقع مخلفات البلدية أو
تاجر التجزئة عند شراء منتج جديد.

توفر بلاك أند ديكر منشأة لتجميع وإعادة تدوير منتجات بلاك
أند ديكر عند وصول تلك المنتجات لنهاية عمرها النافع.
وللاستفادة من هذه الخدمة، يرجى إعادة المنتج إلى أي وكيل
إصلاح معتمد الذي سيقوم بتجميع المنتجات نيابة عنا.

يمكنك معرفة مكان أقرب وكيل إصلاح معتمد بمراجعة مكتب
بلاك أند ديكر المحلي في العنوان المشار إليه في الدليل. كما
تتوفر قائمة بوكلاء الإصلاح المعتمدين لدى بلاك أند ديكر
وبيانات خدمات ما بعد البيع والاتصال على الموقع الإلكتروني:
www.2helpU.com

بيان التوافق مع المجموعة الأوروبية
مواصفة الماكينات

EGBHP146 / EGBHP148
EGBHP188 / EGBHP1881

شركة BLACK+DECKER تقر فيما يلي على أن هذه المنتجات
الموضحة أسفل بند "البيانات الفنية" متوافقة مع المواصفات:
EN 60745-1 و EN 60745-2-1 و EC/٤٢/٢٠٠٦

تتوافق هذه المنتجات أيضًا مع المواصفة EU/٣٠/٢٠١٤ و
EU/٦٥/٢٠١١. للحصول على المزيد من المعلومات، يرجى الاتصال

بشركة BLACK+DECKER على العنوان التالي أو الرجوع إلى
ظهر الدليل.

الموقع أدناه مسؤول عن الإيفاء بإتمام الملف الفني وإخراج هذا الإقرار
بالنيابة عن شركة BLACK+DECKER.

أر لافريك

مدير القطاع الهندسي

Stanley Black & Decker

Europe, Egide Walschaertsstraat 14-18

Mechelen 2800, بلجيكا

11.2015

الصيانة

EGBHP188 / EGBHP1881 (H1)	EGBHP148 (H1)		
١٨	١٤,٤	VDC	الجهد الكهربى
٣٥٠-٠ / ١٥٠٠-	٣٥٠-٠ / ١٥٠٠-		سرعة اللاحمل لفة في الدقيقة
٤٣,٧	٣٦	نيوتن متر	العزم الأقصى
١٣	١٣	ملم	سعة الظرف
			سعة الثقب القصى
١٣/٣٨/١٣	١٣/٣٨/١٣		صلب/ خشب البناء ملم

تم تصميم أداة BLACK+DECKER لكي تعمر لفترة طويلة بأقل قدر من الحاجة للصيانة.

ويعتمد استمرار الجهاز في أداء عمله على النحو المرضي على العناية المناسبة و التنظيف المنتظم. شاحك لا يتطلب أية صيانة سوى التنظيف الدوري المستمر.

تحذير! قبل إجراء الصيانة على الأداة احرص على خلع البطارية من الأداة. افضل الشاحن قبل تنظيفه.

- قم بتنظيف منافذ التهوية بانتظام في أداتك ونظف الشاحن باستخدام فرشاة ناعمة أو قطعة قماش جافة.
- نظف علبة المحرك بانتظام بقطعة قماش مبللة.
- لا تستخدم المنظفات الكاشطة أو المذيبة.
- احرص على فتح الظرف بانتظام واخبطه لتنظيفه من الغبار العالق به من الداخل.

906068** (النوع 1)			الشواحن
٢٤٠-٢٢٠	VAC		دخل الجهد الكهربى
١٨	VDC		خرج الجهد الكهربى
٢	أي		التيار
٦٠	دقائق		زمن الشحن التقريبي

905902** (النوع 1)			الشواحن
٢٤٠-١٠٠	VAC		دخل الجهد الكهربى
٢٠-٨	VDC		خرج الجهد الكهربى
٤٠٠	أي		التيار
٣٠٠-١٨٠	دقائق		زمن الشحن التقريبي

البطاريات

بطاريات BLACK+DECKER يمكن أن يتم شحنها مرات عديدة. في نهاية عمرها الافتراضي فتخلص من البطاريات بشكل لا يضر بالبيئة:



- حرك البطارية إلى الأسفل تمامًا ثم اخلعها من الأداة.
- بطاريات كربيد النيكل أو الهيدريد المعدني أو أيونات الليثيوم قابلة لإعادة التدوير. خذها إلى أي وكيل إصلاح معتمد أو محطة إعادة تدوير محلية.

BL2018	BL1518	BL1514	البطارية
١٨	١٨	١٤,٤	VDC الجهد الكهربى
٢,٠	١,٥	١,٥	السعة أمبير ساعة
أيونات الليثيوم	أيونات الليثيوم	أيونات الليثيوم	النوع

مستوى ضغط الصوت وفقاً للمواصفة EN ٦٠٧٤٥:
ضغط الصوت (LpA) ٩١,٥ ديسيبل (A), الشك (K) ٣ ديسيبل (A)
طاقة الصوت (LWA) ١٠٢,٥ ديسيبل (A), الشك (K) ٣ ديسيبل (A)

إجمالي قيم الاهتزاز وفقاً للمواصفة EN ٦٠٧٤٥:
تأثير الحفر في الخرسانة ($a_{h,D}$) > ١٢,٨ متر/ثانية ^٢ , الشك (K) ١,٥ متر/ثانية ^٢
الحفر في المعدن ($a_{h,D}$) > ٢,٥ متر/ثانية ^٢ , الشك (K) ١,٥ متر/ثانية ^٢
الفك بدون صدم ($a_{h,s}$) > ٢,٥ متر/ثانية ^٢ , الشك (K) ١,٥ متر/ثانية ^٢

البيانات الفنية

EGBHP146 (H1)			
١٤,٤	VDC		الجهد الكهربى
٣٥٠-٠ / ١٥٠٠-			سرعة اللاحمل لفة في الدقيقة
٣٦	نيوتن متر		العزم الأقصى
١٣	ملم		سعة الظرف
			سعة الثقب القصى
٣٨/١٣	ملم		صلب/ خشب

المثقاب/المفك

- اختر وضع التدوير للأمام أو الخلف باستخدام الزر الانزلاقي للأمام/الخلف (٢).
- لتشغيل الأداة اضغط على المفتاح (١). سرعة الأداة تعتمد على فترة الضغط على الزر.
- لغرض إطفاء الأداة حرر مفتاح التفعيل.

نقاط خاصة بالاستخدام الأمثل

الثقب

- احرص دائمًا على ممارسة ضغط خفيف في خط متواز مع رأس الثقب.
- فقط قبل أن ينفذ رأس الثقب عبر الجانب الآخر لقطعة الشغل قلل الضغط على الأداة.
- استخدم قطعة خشبية لتدعيم قطع الشغل التي يمكن أن تنشق.
- استخدم الرؤوس المجرفة عند القيام بالثقب لعمل فجوات كبيرة القطر في الخشب.
- استخدم رؤوس المثقاب HSS عند الثقب في المعادن.
- استخدم رؤوس الأبنية عند الثقب في الأبنية الحرة.
- استخدم مادة تشحيم عند القيام بثقب أنواع معادن أخرى غير حديد الزهر والنحاس.
- قم بعمل تظلم باستخدام خرامة مركزية في وسط الحفرة المراد ثقبها لتحسين درجة الدقة.

إدارة البراغي

- احرص دائمًا على استخدام النوع والمقاس الصحيحين لرأس المفك.
- إذا كان من الصعب إحكام ربط البراغي فحاول إضافة كمية قليلة من سائل الغسل أو الصابون كمسحوم.
- احرص دائمًا على الإمساك برأس الأداة والمفك في خط مستقيم مع البراغي.

- لاختيار وضع الدوران العكسي ادفع الزر الانزلاقي للأمام/الخلف إلى الجانب الأيمن.

- لغلق الأداة اضبط وضع الزر الانزلاقي للأمام/الخلف إلى الوضع المركزي.

اختيار وضع أو عزم التشغيل (الشكل D)

- يتم تركيب هذه الأداة بحلقة معدنية لاختيار وضع التشغيل ولغرض ضبط عزم إحكام ربط البراغي. البراغي الطويلة وقطع الشغل الصلبة تتطلب وضع ضبط بعزم أعلى من ذلك المطلوب للبراغي القصيرة وقطع الشغل الناعمة. الحلقة تتسم بنطاق واسع من الإعدادات للتوافق مع تطبيقك.

- لغرض الحفر في الخشب والمعادن والبلاستيك فاضبط الحلقة (٣) مع وضع الحفر من خلال محاذاة الرمز مع العلامة (١١).

- لغرض الربط فاضبط الحلقة على وضع الضبط المرغوب. إذ لم تكن تعرف بعد وضع الضبط المناسب، فتصرف كالتالي:

– اضبط الحلقة (٣) على أدنى عزم ممكن.

– أحكم ربط البراغي أولاً.

- إذا ارتفع القابض قبل تحقيق النتيجة المرغوبة فقم بزيادة وضع ضبط الحلقة واستمر في إحكام ربط البراغي. استمر في تكرار هذه الخطوة إلى أن تصل إلى وضع الضبط الصحيح. استخدم وضع الضبط هذا مع البراغي المتبقية.

EGBHP_{١٨٨١}/EGBHP_{١٨٨٨}/EGBHP_{١٤٨} – الحفر في

البناء (الشكل D و E)

- للغرض الحفر في الخشب والمعادن والبلاستيك فاضبط الحلقة (٣) مع وضع الحفر من خلال محاذاة الرمز مع العلامة (١١).

- قم بتحريك قرص السرعة (٥) نحو مقدمة الأداة (الترس الثاني).

قرص اختيار السرعة (الشكل E)

- الحفر في الصلب ولتنفيذ تطبيقات الربط/الفك، قم بتحريك قرص السرعة (٥) نحو الجزء الخلفي للأداة (الترس الأول).

- الحفر في مواد أخرى عدا الصلب، قم بتحريك قرص السرعة (٥) نحو الجزء الأمامي للأداة (الترس الثاني).

تضيء لمبة LED باللون الأخضر (الشحن) عندما يقوم الشاحن بإعادة شحن البطارية بين حين وآخر. سوف يضيء مؤشر الشحن (٩) طالما أن الجهاز موصل بالشاحن .

• اشحن البطاريات الفارغة في خلال أسبوع واحد. العمر الافتراضي للبطارية يقل بشكل كبير إذا ما تم تخزينها وهي فارغة الشحنة.

ترك البطارية في الشاحن

يمكن أن يتم ترك الشاحن وعلبة البطارية موصلين بينما لمبة LED تتوهج. الشاحن سوف يحتفظ بعلبة البطارية متجددة ومشحونة بالكامل.

تشخيصات الشاحن

إذا ما اكتشف الشاحن أن البطارية ضعيفة أو متضررة فسوف يومض مؤشر الشحن (٩) باللون الأحمر بمعدل سريع. تصرف كالتالي:

• أعد إدخال البطارية (٧).

• إذا ما استمرت مؤشرات الشحن في الوميض باللون الأحمر بمعدل سريع فاستخدم بطارية مختلفة لتحديد ما إذا كانت عملية الشحن تعمل بشكل سليم.

• إذا كانت البطارية المستبدلة تشحن بشكل صحيح فتكون البطارية الأصلية عندئذ تالفة ويتعين أن يتم إرجاعها إلى مركز الصيانة لإعادة تدويرها.

• إذا كانت البطارية الجديدة تعطي نفس الإشارة للبطارية الأصلية فأحرص على أن يتم اختيار الشاحن في مركز خدمة معتمد.

ملاحظة: يمكن أن يستغرق الأمر ٦٠ دقيقة لتحديد أن البطارية تالفة. إذا ما كانت البطارية شديدة السخونة أو البرودة فسوف تومض لمبة LED بالتناوب باللون الأحمر، بسرعة وببطء، وتومض مرة بسرعة معينة متكررة.

اختيار اتجاه الدوران (الشكل C)

لغرض الثقب وإحكام ربط البراغي استخدم خاصية الدوران للأمام (في اتجاه عقارب الساعة). لغرض تحرير البراغي أو خلع رأس الثقب المحشور استخدم خاصية الدوران العكسي (في عكس اتجاه عقارب الساعة).

• لاختيار وضع الدوران للأمام ادفع الزر الانزلاقي للأمام/الخلف (٢) إلى الجانب الأيسر.

• افتح الظرف من خلال إدارة الجزء الأمامي (٤) بيد واحدة أثناء التثبيت باليد الأخرى.

• أدخل جذع الرأس في الظرف.

• أحكم ربط الظرف من خلال إدارة الجزء الأمامي (٤) بيد واحدة أثناء تثبيت باليد الأخرى.

هذه الأداة يتم توريدها مع رأس مفك في حامل الرأس (٦).

• لخلع رأس المفك من حامل الرأس ارفع الرأس من الفجوة.

• لغرض تخزين رأس المفك ادفعه بشكل ثابت في الحامل.

الاستخدام

تحذير! اترك الأداة تعمل بسرعتها. لا تفرط في التحميل.

تحذير! قبل القيام بالحفر في الجدران أو الأرضيات أو الأسقف فتتحقق من موقع الأسلاك والمواسير.

تغيير البطارية (الشكل A)

البطارية بحاجة إلى أن يتم شحنها قبل الاستخدام لأول مرة وإذا ما حدث وأيضاً عندما تعجز عن توفير الطاقة الكهربائية الكافية في المهام المطلوبة التي كان يسهل تنفيذها فيما سبق. يمكن أن تسخن البطارية عند الشحن، هذا أمر عادي ولا يشير إلى وجود مشاكل.

تحذير! لا تشحن البطارية في درجات الحرارة المحيطة الأدنى من ١٠ °م أو الأعلى من ٤٠ °م. درجة حرارة الشحن الموصى بها: تقريباً ٢٤ °م.

ملاحظة: الشاحن لن يقوم بشحن البطارية إذا كانت درجة حرارة الخلية أدنى من ١٠ °م أو أعلى من ٤٠ °م. تقريباً. يتعين أن يتم ترك البطارية في الشاحن وسوف يبدأ الشاحن في العمل بالشحن أوتوماتيكياً عندما تزيد درجة حرارة الخلية أو تبرد.

• لشحن البطارية (٧) أدخلها في الشاحن (٨). لن يمكن تركيب البطارية في الشاحن إلا بطريقة واحدة، لا تدخلها بعنف. تحقق من أن البطارية مركبة بالكامل في الشاحن.

• شغل الشاحن ووصله بشبكة التيار الكهربائي.

سوف يومض مؤشر البطارية (٩) باللون الأخضر (ببطء).

يكون الشحن قد اكتمل عندما يضيء مؤشر الشحن (٩) باستمرار. يمكن أن يتم ترك الشاحن والبطارية موصلين مع لمبة LED مضيئة. سوف

- في حالة تلف سلك توصيل الكهرياء، يجب استبداله من قبل جهة التصنيع أو أي مركز خدمة معتمد من BLACK+DECKER لتجنب المخاطر.

الخواص

تشتمل هذه الأداة على بعض أو جميع الأجزاء التالية.

١. مفتاح السرعة المتغيرة
٢. زر انزلاقي للأمام/الخلف
٣. قرص اختيار الوضع / قرص ضبط العزم
٤. الزر
٥. قرص اختيار السرعة
٦. حامل القطعة
٧. البطارية

الشكل A

٨. الشاحن
٩. مؤشر الشحن

التجميع

تحذيراً قبل التجميع احرص على خلع البطارية من الأداة.

تركيب البطارية وخلعها (الشكل B)

- لغرض تركيب البطارية (٧) فقم بمحاذاتها مع العلبة على الأداة. قم بتحريك البطارية إلى داخل العلبة وادفعها إلى أن تثبت البطارية في موضعها.
- لخلع البطارية ادفع زر الفتح (١٠) بينما يتم في الوقت ذاته دفع البطارية إلى خارج العلبة.

تركيب وخلع رأس المثقاب أو رأس المفك

هذه الأداة يتم تركيبها بطرف بدون مفتاح لإتاحة إمكانية التبديل السلس للرؤوس.

- أغلق الأداة من خلال تحريك الزر الانزلاقي (٢) للأمام/الخلف وصولاً إلى الموضع المركزي.

تدابير سلامة إضافية للبطاريات والشواحن

البطاريات

- لا تحاول مطلقاً الفتح لأي سبب.
- لا تعرض البطارية للماء.
- لا تخزنه في مواقع يمكن أن تزيد درجة الحرارة بها عن ٤٠°م.
- لا تقم بالشحن إلا في درجات حرارة محيطية تتراوح بين ١٠°م و ٤٠°م.
- لا تقم بالشحن إلا باستخدام الشاحن المورد مع الأداة.
- عند التخلص من البطاريات فاحرص على اتباع التعليمات الموضحة في جزء "حماية البيئة".



لا تحاول شحن البطاريات التالفة.

الشواحن

- استخدم شاحن BLACK+DECKER فقط لشحن البطارية في الأداة المورد بها. البطاريات الأخرى يمكن أن تنفجر متسببة في إلحاق إصابات شخصية وأضرار.
- لا تحاول مطلقاً شحن البطاريات غير القابلة للشحن.
- احرص على استبدال الكابلات التالفة على الفور.
- لا تعرض الشاحن للماء.
- لا تفتح الشاحن.
- لا تجرب الشاحن.



صمم هذا الشاحن للاستخدام المنزلي فقط.



احرص على قراءة دليل التعليمات قبل الاستخدام.

السلامة من مخاطر الكهرياء



هذا الشاحن معزول عزلاً مزدوجاً، وبالتالي لا حاجة إلى توصيل سلك أرضي. وينبغي التأكد دائماً من توافق جهد مصدر التيار الكهربائي مع الجهد الموضح على لوحة التقنين. لا تحاول مطلقاً استبدال وحدة الشاحن بقباس شبكة عادي.

التوافق تم قياسها بما يتوافق مع طرق الاختبار المعيارية وفقاً لمواصفة EN 60745، ويمكن أن يتم استخدامها لمقارنة أداة بأخرى. قيم انبعاث الاهتزازات المعلنة يمكن أن يتم استغلالها أيضاً في التقييم الأولي للتعرض للاهتزاز.

تحذيراً: قيمة انبعاثات الاهتزازات الصادرة أثناء الاستخدام الفعلي لأداة الطاقة الكهربائية يمكن أن تتباين عن القيمة الموضحة اعتماداً على طرق استخدام الأداة. مستوى الاهتزاز يمكن أن يزيد إلى أعلى من المستوى المثبت.

عند القيام بتقييم التعرض للاهتزاز لتحديد إجراءات السلامة الضرورية وفقاً للمواصفة 2002/44/EC الرامية لحماية الأفراد بانتظام باستخدام أدوات الطاقة الكهربائية في العمل، فيتعين أن يتم تقدير التعرض للاهتزاز مع الوضع في الحسبان الظروف الفعلية للاستخدام وطريقة استعمال الأداة، ومراعاة كل أجزاء دورة التشغيل، مثل مواقيت إطفاء الأداة وتشغيلها على الوضع المحايد بالإضافة إلى زمن التفعيل.

المخاطر الأخرى

عند استخدام الأداة يمكن أن تظهر مخاطر أخرى إضافية قد لا تكون مدرجة في تحذيرات السلامة المذكورة. هذه المخاطر يمكن أن تنشأ عن سوء الاستخدام أو الاستخدام المطول وما إلى ذلك.

حتى مع سريان تعليمات السلامة وتطبيق تجهيزات السلامة فهناك بعض المخاطر الأخرى التي لا يمكن تجنب وقوعها. وهي تشمل:

- إصابات تنشأ جراء ملامسة أية أجزاء دوارة/متحركة.
- إصابات تنشأ عند تغيير أية أجزاء أو شفرات أو كماليات.
- إصابات تنشأ جراء طول فترة استعمال الأداة. عند استعمال الأداة لفترات ممتدة فتتحقق من إيقافها بانتظام للاستراحة.
- تضرر السمع.
- المخاطر الصحية الناتجة عن استنشاق الغبار المتكون عند استخدام الأداة الخاصة بك (على سبيل المثال: العمل في قطع خشبية، ولا سيما البلوط والزان وقطاعات (MDF).

الملصقات الموجودة على الأداة

الصور المصغرة التالية موجودة على الأداة:

تحذيراً! لغرض تقليل مخاطر الإصابات فيجب على المستخدم قراءة دليل التعليمات.



• استخدم المقابض الإضافية الموردة مع الأداة. فقدان التحكم يمكن أن يتسبب في وقوع إصابات شخصية.

• احرص على حمل أداة الطاقة الكهربائية باستخدام أسطح الإمساك المعزول عند القيام بالتشغيل في الأماكن التي يمكن أن ينشأ فيه تلامس بين كماليات التقطيع وبين الأسلاك المخفية. كماليات التقطيع المحتوية على سلك "حي" يمكن أن تعرض الأجزاء المعدنية لأداة الطاقة الكهربائية "الحية" ويمكن أن تعرض المشغل لصدمة كهربائية.

• احرص على حمل أداة الطاقة الكهربائية باستخدام أسطح الإمساك المعزول عند القيام بالتشغيل في الأماكن التي يمكن أن ينشأ فيه تلامس بين المثبتات وبين الأسلاك المخفية. المثبتات المحتوية على سلك "حي" يمكن أن تعرض الأجزاء المعدنية لأداة الطاقة الكهربائية "الحية" ويمكن أن تعرض المشغل لصدمة كهربائية.

• استخدم المشابك أو أية طرق عملية أخرى لغرض تأمين وتدعيم قطعة الشغل على منصة ثابتة. القيام بالعمل يدوياً أو في مقابل جسمك يجعل قطع الشغل غير مستقرة ويمكن أن يؤدي إلى فقدان التحكم.

• قبل القيام بالحفر في الجدران أو الأرضيات أو الأسقف فتتحقق من موقع الأسلاك والمواسير.

• تجنب ملامسة قمة المثقاب بعد الانتهاء من الثقب، فيمكن أن يكون ملتهباً.

• هذا الجهاز غير مصمم ليستخدمه الأشخاص ذوو القدرات الجسدية والذهنية والحسية والعقلية المتدنية والخبرة والمعرفة القليلتين (بما في ذلك الأطفال) إلا في ظل الإشراف عليهم أو إعطائهم التعليمات المتعلقة باستخدام الجهاز من قبل الشخص المسؤول عن سلامتهم. يلزم الإشراف على الأطفال لضمان عدم عبثهم بالجهاز.

• يحدد دليل التعليمات هذا الاستخدام المصمم للجهاز له. استخدام أي قطع كمالية أو ملحقة غير الموجودة مع الجهاز أو استخدام الجهاز في غرض غير المنصوص عليه في هذا الدليل قد يشكل خطراً أو يؤدي إلى حدوث إصابة و/أو أية أضرار.

الاهتزاز

قيم انبعاث الاهتزازات المعلنة والمثبتة في المواصفات الفنية وإعلان

- هـ. لا تفرط في التجاوز. احرص على أن تتوفر القواعد ونسب الاتزان في كل الأوقات. ومن شأن ذلك أن يتيح إمكانية تحكم أفضل في أداة الطاقة الكهربائية في المواقف غير المتوقعة.
- و. ارتد زياً مناسباً. لا ترتد الملابس الفضفاضة أو مجوهرات. احرص على إبقاء شعرك وملابسك والقفازان بعيداً عن الأجزاء المتحركة. الملابس الفضفاضة أو المجوهرات أو الشعر الطويل يمكن أن تنحسر في الأجزاء المتحركة.
- ز. عند توفير أجهزة متعلقة بتوصيل مرافق تنقية الغبار وتجميعه فتحقق من أنها موصلة ومستخدمة بشكل سليم. استخدام خاصية تجميع الغبار يمكن أن يقلل من المخاطر المتعلقة بالغبار.
4. استخدام أداة الطاقة الكهربائية والعناية بها
- أ. لا تستخدم العنف مع أداة الطاقة الكهربائية. استخدم أداة الطاقة الكهربائية الصحيحة لتطبيقك. أداة الطاقة الكهربائية الصحيحة سوف تقوم بأداء العمل بشكل أفضل وأكثر أماناً على المعدل الذي تم تصميمه لأجله.
- ب. لا تستخدم أداة الطاقة الكهربائية إذا لم يتم استخدام المفتاح لشغيلها وإطفائها. أية أداة طاقة كهربائية لا يمكن التحكم فيها باستخدام المفتاح تصبح خطرة ويجب أن يتم إصلاحها.
- ج. أفضل القابس من مصدر الطاقة الكهربائية و/أو علبه البطارية من أداة الطاقة الكهربائية قبل الشروع في إجراء أية تعديلات ضبط أو تغيير الكماليات أو تخزين أدوات الطاقة الكهربائية. من شأن اتخاذ إجراءات السلامة الوقائية هذه أن يقلل من خطر بدء تشغيل أداة الطاقة الكهربائية فجأة.
- د. خزن أدوات الطاقة الكهربائية المتعلطة بعيداً عن متناول يد الأطفال ولا تسمح للأفراد من غير ذوي الخبرة في التعامل مع أداة الطاقة الكهربائية أو ليسوا على علم بهذه التعليمات بتشغيل أداة الطاقة الكهربائية. أدوات الطاقة الكهربائية خطرة في أيدي المستخدمين غير المتدربين.
- هـ. احرص على صيانة أدوات الطاقة الكهربائية. افحص الجهاز أيضاً للتعرف على حالات عدم انتظام أو تجلد الأجزاء المتحركة أو الأجزاء المكسورة وأية حالة يمكن أن تؤثر على تشغيل أدوات الطاقة الكهربائية. إذا ما تحققت من وجود ضرر فاحرص على إصلاح أداة الطاقة الكهربائية قبل استخدامها. تقع العديد من الحوادث جراء عدم صيانة أدوات الطاقة الكهربائية بالشكل الكافي.
- و. احرص على أن تظل أدوات القطع حادة ونظيفة. أدوات القطع التي تتم صيانتها بشكل مناسب وحوافها حادة احتمالية أن تتلثم ضعيفة ويمكن التحكم فيها بشكل أسهل.
- ز. استخدم أداة الطاقة الكهربائية والكماليات ورووس الأداة وما إلى ذلك بما يتوافق مع هذه التعليمات، مع الوضع في الاعتبار ظروف العمل والأعمال المراد تنفيذها. استخدام أداة الطاقة الكهربائية لتنفيذ العمليات في الأغراض غير المخصصة يمكن أن يتسبب في التعرض لمواقف خطيرة.
5. استخدام أداة البطارية والعناية بها
- أ. لا تقم بإعادة الشحن إلا باستخدام الشاحن الموصى به من الجهة الصانعة. الشاحن المناسب لنوع واحد من علب البطاريات يمكن أن يتسبب في نشوء خطر الحريق عند الاستخدام مع علب بطارية أخرى.
- ب. لا تستخدم أدوات الطاقة الكهربائية إلا مع علب البطاريات المخصصة لها. استخدام أية علب بطاريات أخرى يمكن أن يتسبب في ظهور خطر التعرض لإصابات أو وقوع حريق.
- ج. في حال عدم استخدام علب البطارية فاحتفظ بها بعيداً عن المواد المعدنية الأخرى، مثل مشابك الأوراق والعملات المعدنية والمفاتيح والأظافر أو الأشياء المعدنية الصغيرة الأخرى التي يمكن أن ننشئ دائرة اتصال كهربائية من طرف لآخر. تقصير أطراف البطارية معاً يمكن أن يتسبب في وقوع حريق أو نشوب نار.
- د. في ظل الظروف القاسية فإن السائل يمكن أن يتسرب من البطارية، تجنب ملامسته. إذا ما حدث التلامس بشكل غير مقصود فاشطف موضع التلامس بالماء. إذا ما تلامس السائل مع العينين فاطلب المساعدة الطبية بشكل إضافي. السائل يمكن أن يتسري من البطارية مسبباً في حالات تهيج أو حروق.
6. الخدمة
- أ. احرص على أن يقوم فني متخصص بإصلاح أداة الطاقة الكهربائية الخاصة بك فقط باستخدام قطع الغيار المتطابقة. ومن شأن ذلك أن يضمن سلامة صيانة أداة الطاقة الكهربائية.
- تحذيرات إضافية متعلقة بسلامة أداة الطاقة الكهربائية
- تحذيراً! تحذيرات السلامة الإضافية لأعمال الحفر والثقب
- احرص على ارتداء واقبات الأذن عند العمل مع المثقاب. التعرض للضجيج يمكن أن يتسبب في فقدان السمع.



الاستخدام المقصود

والإطارات والمبردات. يوجد خطر متزايد من التعرض لصدمة كهربائية إذا كان جسمك أصبح في وضع تأريض.

جـ لا تعرض أدوات الطاقة الكهربائية للمطر أو ظروف الرطوبة. تسرب الماء إلى داخل أداة الطاقة الكهربائية سوف يزيد من مخاطر التعرض للصدمة الكهربائية.

د. لا تسيء استخدام السلك. لا تستخدم السلك مطلقاً لأغراض حمل أداة الطاقة الكهربائية أو سحبها أو فصلها. احرص على وضع السلك بعيداً عن الحرارة والزيوت والحواف الحادة والأجزاء المتحركة. الأسلاك المتضررة أو المتشابكة تزيد من مخاطر التعرض للصدمة الكهربائية.

هـ عند تشغيل أداة الطاقة الكهربائية في الخارج فاستخدم سلك امتداد مناسباً للاستخدام الخارجية. استخدام سلك مناسب لأغراض الاستخدام الخارجي يقلل من مخاطر التعرض للصدمة الكهربائية.

و. إذا تعذر تجنب تشغيل أداة الطاقة الكهربائية في منطقة رطبة فاستخدم شبكة تغذية محمية بقاطع الدائرة (RCD). استخدام قاطع الدائرة يقلل من مخاطر التعرض للصدمة الكهربائية.

٣. السلامة الشخصية

أ. كن متيقظاً وراقب ما تفعل واستخدم حسك العام عند تشغيل أداة الطاقة الكهربائية. لا تستخدم أداة الطاقة الكهربائية عندما تكون مجهداً أو تحت تأثير المخدرات أو الكحوليات أو الأدوية. فحالة عدم الانتباه عند تشغيل أداة الطاقة الكهربائية يمكن أن تتسبب في وقوع إصابات شخصية بالغة.

ب. استخدم تجهيزات الحماية الشخصية الوقائية. احرص دائماً على ارتداء واقية العينين. تجهيزات الحماية، مثل قناع الغبار وأحذية السلامة غير الانزلاقية والقباعات المتينة أو واقية السمع المستخدمة لظروف مناسبة سوف تقلل من معدل التعرض لإصابات شخصية.

جـ تجنب بدء العمل بدون قصد. تحقق من أن المفتاح في وضع الإطفاء قبل التوصيل بمصدر الطاقة الكهربائية و/أو علبة البطارية أو التقاط أو حمل الأداة. حمل أدوات الطاقة الكهربائية وإصبعك على المفتاح أو أدوات الطاقة الكهربائية المشغلة من شأنه أن يستدعي وقوع حوادث.

د. تخلص من أية مفاتيح ضبط أو ربط قبل تشغيل أداة الطاقة الكهربائية. أي مفتاح ربط أو ضبط موصل بالجزء الدواؤ من أداة الطاقة الكهربائية يمكن أن يتسبب في وقوع إصابات شخصية.

المنقاب/المفك الخاص بك من شركة BLACK+DECKER تم تصميمه خصيصاً لتنفيذ تطبيقات الربط/الفك ولغرض الحفر في الخشب والمعادن والبولستيك والبناء اللين. هذا الجهاز معد لاستخدام العملاء فقط.

تعليمات السلامة

تحذيرات عامة متعلقة بسلامة أداة الطاقة الكهربائية

تحذيراً! تحذيرات السلامة والتعليمات ذات الصلة. أي صور في اتباع التحذيرات والتعليمات السلامة الموضحة أدناه يمكن أن تتسبب في التعرض لصدمة كهربائية ونشوب حريق و/أو وقوع إصابات بالغة.



احرص على الاحتفاظ بكل التحذيرات والتعليمات للرجوع إليها في المستقبل. المصطلح "أداة الطاقة الكهربائية" الوارد في كل التحذيرات المدرجة أدناه يشير إلى أداة الطاقة الكهربائية المشغلة بكابل (محزمة ثنائي الخطوط) يوصل بشبكة التيار الأساسية أو ببطارية (بدون كابلات).

١. سلامة منطقة العمل

أ. احرص على أن تكون منطقة العمل نظيفة ومضاءة جيداً. فالمناطق غير المرتبة أو المظلمة تستدعي وقوع حوادث.

ب. لا تقم بتشغيل أدوات الطاقة الكهربائية في أجواء انفجارية، مثل تلك المحتوية على سوائل قابلة للاشتعال أو غازات أو غبار. أدوات الطاقة الكهربائية تسبب في وجود شرر يمكن أن يشعل الغبار أو الشعلات.

جـ احرص على إبعاد الأطفال والمارة عن تشغيل أداة الطاقة الكهربائية. مصادر صرف الانتباه يمكن أن تجعلك تفقد القدرة على التحكم.

٢. السلامة الكهربائية

أ. يلزم توافق قوايس أداة الطاقة الكهربائية مع مصدر التيار الكهربائي. تجنب مطلقاً تعديل القابيس بأية طريقة. لا تستخدم مكيف القابيس مع أداة الطاقة الكهربائية المتصلة بالأرضي (مورض). عدم تعديل القابيس واستخدام فتحات الكهراء المناسبة يحد من مخاطر الصدمات الكهربائية.

ب. تجنب ملامسة الجسم مع أسطح مؤرضة، مثل المواسير والمشعات

Names & Addresses for BLACK + DECKER Service Concessionaries

ALGERIA: SARL Outillage Corporation, After Sale Service Center-08, Rue Mohamed Boudiaf - Cheraga, Algiers, Algeria, Tel: +213 21 375131, Fax: +213-0-369667. **AZERBAIJAN:** Kontakt - NN LLC, M.Qashqay 43, Baku, Azerbaijan Az1000. Tel: +994 12 4082050, Fax: +994 12 4117090. **BAHRAIN:** Alfouz Services Co. WLL., P.O. Box 26562, Tubli, Manama, Tel: +973-17783562/ 17879987, Fax: +973-17783479. Kewalram & Sons Co. WLL P.O. Box 84, Manama, Kingdom of Bahrain, Tel: +973-17213110/ 17210617/ 17210619, Fax: +973-17213211/ 17210627. **BANGLADESH:** Ultra Corporation, 8, Kushol Centre, Uttara, Dhaka 1230. Tel: +880-2-8922144, Fax: +880-2-8951339. **EGYPT:** Anasia - Egypt for Trading S.A.E., 9, Mostafa Refaat St., Sheraton Heliopolis Bldgs., Cairo, Egypt, P.O.Box 2443 Heliopolis 11361, Tel. : (202) 268 4159, Fax.: (202) 268 4169, www.anasia.com. **ETHIOPIA:** Seif Sherif Trade PLC -Arada Sub City, Kebele 01-02, Global Insurance Bldg., 2nd Flr. Room 43, P.O.Box 2525, Addis Ababa, Ethiopia, Tel: 00-251-11-1563968/ 1563969, Fax: 00-251-11-1558009. **INDIA:** Gryphon Appliances Ltd., D-6/4, Okhla Industrial Area, Phase-I, New Delhi-110020, Tel: +91-11-46731111, Fax: +91-11-46731111. **JORDAN:** Bashiti Hardware, 93 King Abdullah 2nd St., Opp ELBA House, P.O. Box 3005, Tel: +962-6-5349098 ext.11, Fax: +962-6-5330731. **KENYA:** Leading Concepts, P.O. Box: 40877-00100, Nairobi, Kenya. Tel: +254 20 690 5000, Fax: +254 20 690 5111. **KUWAIT:** Al Omar Technical Co., P.O. Box 4062, Safat 13041, Kuwait, Tel: 00965-24848595/ 24840039, Fax: 00965-24845652. The Sultan Centre, P.O. Box 26567-13126 Safat, Kuwait, Tel: 00965-24343155 Etn. 432, Fax: 00965-24319071. **LEBANON:** Aces Service Centre, P.O. Box 90-102, Nahr El Mot, Seaside Highway, Pharaon Building, Beirut. Tel: 00961-1-898989, Fax: 00961-1-245880. **LIBYA:** Homeworld Co., Building No.5, Senidal St., Amr Ibn Elaas Road, Benghazi, Libya. Tel: 00218-61-9094183. Service Center1 - Benghazi: Tel: +218-061-3383994, Fax: +218-092-7640688, Service Center2 - Tripoli: Tel: +218-021-3606430, Fax: +218-092-6514813. **MALTA:** John G Cassar Ltd. 36-Victory Street, Qormi QRM 06, Malta. Tel: +356-21493251, Fax: +356-21483231. **MAURITIUS:** J.M. Goupille & Co. Ltd., Rogers Industrial Park 1, Riche Terre, Mauritius, Tel: +230 206 9450 / +230 207 1700, Fax: +230 206 9474/ +230 248 3188. **MOROCCO:** UATS 26 Rue Ennarjisse, Hay Erraihan, Beausejour - Hay Hassani-Casablanca, Morocco. Tel: +212 522945114, Fax: +212 522942442. **NEPAL:** Universal Electrocom, Tripureshwor, Kathmandu, Nepal. Tel:+977-1-4265191. **NIGERIA:** Dana Electronics Ltd. (Lagos) 116/ 120, Apapa Oshodi Express Way, Isolo, Lagos, Nigeria. Tel: +234-17431818/ +234-8037767774/ +234-8057445477. (Abuja) 18, A.E. Ekukinam Street, Off Obsfemi Awolowo Road, Utako, Abuja, Nigeria. Tel: +234-8032276101/ +234-8037767774. (Kano) 9A - Mai Malari Road, Bompai, Kano, Nigeria. Tel: +234-8053294947/ +234-8037767774. **OMAN:** Oman Marketing & Service Co. (Omasco), P.O. Box 2734, Behind Honda Showroom, Wattayah, Oman, Tel: +968-24560232/ 24560255, Fax: +968-24560993. Oman Marketing & Service Co. (Omasco), Al Ohi, Sohar, Oman, Tel: +968-26846379, Fax: +968-26846379. Oman Marketing & Service Co. (Omasco) - Sanaya, Salalah, Oman, Tel: 00968-23212290, Fax: +968-23210936. **PAKISTAN:** Ammar Service & Spares - 60-Bank Arcade, Serai Road, Karachi, Pakistan, Tel: 0092-21-32426905, Fax: 0092-21-32427214. **PHILIPPINES:** 476 J. P. Rizal St., cor Kakarong St. Brgy Olympia, Makati City, Tel: +632 403-5698. **QATAR:** Al Muftah Service Centre - Al Wakrah Road, P.O. Box 875, Doha, Qatar. Tel: 00974-4650880/ 4650110/ 4446868, Fax: 00974-4441415/ 4662599. **SAUDI ARABIA: (Al Khobar)** Al-Suwaiket Catering & Trading Co., P.O.Box 4228, King A.Aziz Street, Al Khobar, Tel: +966-3-8591088, Fax: +966-3-8595648. Fawaz Ebrahim Al Zayani Trading Est. P.O. Box 76026, Al Khobar #31952, Tel: +966-3-8140914, Fax: +966-3-8140824. **(Jeddah)** Banaja Trading Co. Ltd, P.O. Box 366, Jeddah-21411, Tel: +966-2-6511111, Fax: +966-2-6503668. **(Riyadh)** Banaja Trading Co. Ltd, P.O. Box 566, Riyadh-11421, Tel: 00966-1-4124444, Fax: +966-1-4033378. **SOUTH AFRICA:** Trevco Power Tool Service 14 Steenbok Street, Koedoespoort, 0186, Pretoria, South Africa, Tel: +27-86-1873826, Fax: +27-86-5001771. **SRI LANKA:** Delmege Construction Products (Pvt) Ltd., No 101 Vinayalankara Mawatha, Colombo-10, Sri Lanka, Tel: +94-11-2693361-7, Service hotline: +94-77-2211111. **TUNISIA:** Société Tunisienne De Manutention - Rue de la Physique, Nouvelle Zone Industrielle de Ben Arous-2013 Tunisia, Tel: +216-71-386102/ 380620, Fax: +216-71380412 ext 216. **UGANDA:** Anisuma Investment and Services Ltd., J R complex, Ware House No.5, Plot No 101, 3rd Street Industrial Area, Jinja Road, Kampala, Tel: +256-414237106. **UAE: (Abu Dhabi)** Light House Electrical, P.O. Box 120, Abu Dhabi, Tel: +971-2-6726131, Fax: +971-2-6720667. **(Al Ain)** Zillion Equipment and Spare Parts Trading LLC, P.O. Box 19740, Opp. Bin Sadal/Trimix Redymix Sanaiya, Al Ain. Tel: +971-3-7216690, Fax:+971-3-7216103 **(Dubai)** Black & Decker (Overseas) GmbH, P.O. Box 5420, Dubai, Tel: +971-4-8127400/ 8127406, Fax: +971-4-2822765. **(Musaffah)** Light House Electrical, P.O. Box 120, Abu Dhabi, Tel: +971-2-5548315, Fax: +971-2-5540461. **(Sharjah)** Mc Coy Middle East LLC, P.O. Box 25793, Sharjah, Tel: +971-6-5395931, Fax: +971-6-5395932. **(Ras Al Khaimah)** Mc Coy Middle East LLC, P.O.Box 10584, Ras Al Khaimah, Tel: +971-7-2277095, Fax: +971-7-2277096. **YEMEN: (Aden)** Muala St., Tel: +967 2 222670, Fax: +967 2 222670. **(Sana'a)** Middle East Trad. Co. Ltd., P.O. Box 12363, Hayel Street, Sana'a. Tel: +967-1-204201, Fax: +967-1-204204. **(Taiz)** Middle East Trading Co. (METCO), 5th Flr. Hayel Saeed Anam Bldg, Al-Mugamma St. Taiz, Yemen, Tel: +967-4-213455, Fax: +967-4-219869.

Имена и адреса дистрибьютеров BLACK + DECKER

Альметьевск, ООО "Смарт", 423451, ул. Тухватуллина, д.112, база Смарт, Телефон: (8553) 30-01-01, Факс: (8553) 30-00-01. **Ангарск**, ООО "ВСРТА Кемеровские заводы" 666800, ул. Рабочего Штаба, д. 87, Телефон: (3955) 77-91-02, 96-96-59, Факс: (3955) 77-91-02. **Архангельск**, ООО "Архлес-сервис", 163071, ул. Тимме, д. 23, Телефон: (8182) 27-00-49, 29-35-86, Факс: (8182) 27-00-49. **Астрахань**, ООО "Компания Инструментал", 414057, ул. Рождественского, д. 1 Ж, Телефон: (8512) 35-14-46, 35-14-46, Факс: (8512) 50-21-21. **Астрахань**, ООО "Мастер-Класс", 414014, ул. Ярославская, д. 34 А, Телефон: (960) 856-05-11. **Ачинск**, ООО "Экстрим-Центр", 662150, ул. Дзержинского, д. 36, Телефон: (39151) 6-23-22. **Барнаул**, ИП Бескишин В. П., 656010, ул. пр-т Ленина, д. 73, Телефон: (3852) 61-77-12, Факс: (3852) 61-77-12. **Барнаул**, ИП Никитин М. Д., 656067, ул. Балтийская, д. 66 А, Телефон: (3852) 45-58-47, 8 (964) 603-72-52, Факс: (3852) 45-39-85. **Белгород**, ООО "ЦентрИнструментСервис-Белгород", 308002, ул. Богдана Хмельницкого пр-т, д. 133 В, Телефон: (4722) 31-82-48, 34-61-29, Факс: (4722) 31-82-48. **Белгород**, ИП Шабанов С. И., 308024, ул. Костюкова, д. 1, Телефон: (4722) 55-86-08, Факс: (4722) 55-26-43. **Благовещенск**, ООО "Амурская электротехника", 675014, ул. Кольцевая, д. 43, Телефон: (4162) 42-30-70. **Бор**, ООО "Молоток", 606440, ул. Первомайская, д. 7 А, Телефон: (83159) 9-35-58, Факс: (83159) 9-35-58. **Брянск**, ИП Тимошкин С. Н., 241035, ул. Бурова, д. 14, Телефон: (4832) 68-71-75, Факс: (4832) 68-71-75. **Брянск**, ИП Тимошкин С. Н., 241037, ул. Красноармейская, д. 103, Телефон: (4832) 41-71-44, Факс: (4832) 41-71-44. **Великие Луки**, ИП Леничев Ю. Г., 182100, ул. Мурманская, д. 16, Телефон: (81153) 3-71-20, Факс: (81153) 5-14-60. **Владивосток**, ИП Барса В. А., 690105, ул. Бородинская, д. 46/50, каб. 305, Телефон: (423) 234-57-12, Факс: (423) 234-57-12. **Владикавказ**, ИП Метревели Г. В., 362003, ул. Калоева, д.400, Телефон: (8672) 24-15-73, 51-32-23 Факс: (8672) 51-32-23. **Владимир**, ИП Верстин В. Ф. 600022, ул. пр-кт Ленина, д. 44, Телефон: (4922) 38-27-90, Факс:(4922) 38-67-55. **Владимир**, ООО "ИМКом-Сервис", 600035, ул. Куйбышева, д. 4,Телефон: (4922) 37-06-05. **Волгоград**, ООО "НПФ СЛАВЯНЕ", 400074, ул. Козловская, д. 20, Телефон: (8442) 94-52-49, Факс: (8442) 94-52-49. **Волгоград**, ООО "Инструмент-Сервис", 400055, ул. Фадеева, д. 29, Телефон:(8442) 55-00-11, Факс:(8442) 55-00-11. **Волгоград**, ООО "Инструмент-Сервис" 400050 ул., Рокоссовского, д. 52, Телефон: (8442) 55-00-11, Факс: (8442) 55-00-11. **Волжский**, ООО "Инструмент-Сервис" 404106, ул. Большевикская, д.70Б, Телефон: (8443) 55-00-99, Факс:(8443) 55-00-99. **Вологда**, ИП Журавлёв Д. А.160022, ул. Можайского, д. 44. Телефон: (8172) 74-30-63, Факс: (8172) 74-30-63. **Воронеж**, ООО "Энкор-Сервис", 394026, ул.Текстильщиков, д. 2 корп. 3, Телефон: (473) 261-96-35, 261-96-46, Факс: (473) 261-96-35 доб.458. **Воткинск**, ИП Татаиринов К. В. 427430 ул. Садовникова, д. 17, Телефон: (950) 171-60-05, 8(963)546-22-34. **Екатеринбург**, ИП Салахов Д. Д. 620026, ул. Розы Люксембург, д. 67 А, Телефон: (343) 251-94-94. **Екатеринбург**, ООО "ИНИГС-Сервис", 620026, ул. Шефская, д. 3, корп. Г, Телефон: (343) 219-28-47, Факс: (343) 264-04-40. **Иваново**, ИП Грушина М. Е.,153000, ул. Красногвардейская д. 33, Телефон: (4932) 30-67-00. **Ижевск**, ИП Струков А. А., 426006, ул. Телегина, д. 30, Телефон: "(3412) 93-24-19", Факс: (3412) 93-24-19, 93-24-20. **Ижевск**, ООО "РЭМО", 426011, ул. Майская, д. 28, Телефон: (3412) 73-95-85, Факс: (3412) 72-72-76. **Иркутск**, ИП Паздникова Л. И. 664075, ул.Байкальская, д. 239, корп.7, Телефон: (3952) 22-60-29, 22-87-24, Факс: (3952) 22-60-29, доб.136. **Иркутск**, ООО "ВСРТА Кемеровские заводы", 664035, ул. Рабочего штаба, д. 87, Телефон:(3952) 77-91-02,96-96-59, Факс: (3952) 77-91-02, 77-93-87. **Ишар-Ола**, ООО "Дровосек", 424037, ул. Машиностроителей, д. 2 Б, Телефон: (8362) 41-97-70, Факс: (8362) 41-97-70. **Казань**, ИП Федосеев Е. И.,420029, ул. Сибирский Тракт, д. 34 корп. 12, Телефон: (843) 211-99-01 (02,03,04), Факс:(843) 211-99-01 (02,03,04). **Казань**, ООО "Вавилон-С", 420136, ул. Маршала Чуйкова, д. 25, Телефон: (843) 525-44-15, Факс: (843) 525-44-15. **Казань**, ООО "Дровосек", 420129, ул. Габдуллы Тукая, д. 125, корп.3, Телефон: (843) 205-33-32, 205-33-34. **Казань**, ООО "Профтулз", 422625, с. Песчаные Ковали, ул. Октябрьская, д.28,Телефон:(843) 225-80-20. **Казань**, ООО "Профтулз", 422622 с. Сокуры, ул. Державина, д. 9 А,Телефон: (843) 225-20-80. **Калининград**, ИП Скрицкий О. И., 236001, ул. Московский пр., д. 253, Телефон: (4012) 59-06-06, 59-06-13, Факс: (4012) 59-06-13. **Калуга**, ИП Смогилева А. Б., 248000, ул. Карла Либкнехта, д. 31, Телефон: (4842) 22-03-65, (920) 617-81-91. **Кемерово**, ООО "Сервисный центр "Электра",650044, ул. Абызова, д. 12 А, Телефон: (3842) 64-01-03, 64-28-00, 64-04-55, Факс: (3842) 64-00-07, **Киров**, ИП Кассихин В. Н., 610020, ул. Труда, д. 71, Телефон: (8332) 64-66-56, Факс: (8332) 64-66-56. **Киров**, ООО "Дровосек", 610004, ул. Ленина, д. 54,Телефон: (8332) 35-80-24, 35-80-25, Факс: (8332) 35-80-24, 35-80-25. **Киров**, ООО "Неолип", 610035, ул. Пугачева, д. 1, Телефон: (8332) 56-35-63, Факс: (8332) 56-35-63. **Ковров**, ООО "ИМКом-Сервис" 601916, ул. Летняя, д. 24 А, Телефон: (49232) 4-58-66, Факс: (49232) 4-58-66. **Кострома**, ООО "КрафтТулз", 156026, ул. Северной правды, д. 41 А, Телефон: (4942) 32-59-91, (910) 376-00-10, Факс: (4942) 32-59-91. **Краснодар**, ООО "СТО" Авто-Кубань", 350059, ул. Новороссийская, д. 174 А,Телефон: (989) 800-86-32, (918) 977-76-22. **Красноярск**, ООО "Инструмент-Сервис", 660121, ул. Парашютная, д. 15,Телефон:(3912) 61-98-99, 61-98-95, Факс: (3912) 61-98-99, 61-98-95. **Красноярск**, ООО "Сервисный Центр", 660022, ул. Аэровокзальная, д. 21 стр. 2, Телефон: (3912) 41-86-40, Факс: (3912) 41-86-40, **Курск**, ИП Долголев Р. В. 305001, ул. Кожевенная, д.31. А, Телефон: (4712) 38-90-65, Факс: (4712) 38-90-65. **Липецк**, ООО "Арсенал", 398001, д. 9 Марта, д. 13,Телефон:(4742) 74-06-96, 35-32-15, Факс: (4742) 74-66-76, 22-74-78. **Липецк**, ЗАО "ДПрофи", 398035, ул. Космонавтов, д. 43,Телефон:(4742) 31-92-69, 790, Факс: (4742) 31-92-69, 79. **Магнитогорск**, ИП Трухин А. С. 455045, ул. Свободы, д. 7, (3519) 49-26-77, Миасс, ИП Макаров В. В., 456317, ул. Академика Павлова, д. 8 Б, Телефон: (904) 305-83-79, **Москва**, ООО "Фирма Технопарк", 121471, ул. Гвардейская, д. 3, к.1,Телефон:(495) 737-81-59, 444-10-70, Факс: (495) 737-81-59, **Мурманск**, ИП Гиренко С. Г., 183038, ул. Ленина пр-т, д. 45, Телефон: (8152) 47-47-25, (8152) 47-47-25, **Муром**, ООО "ИМКом-Сервис", 602266, ул. Владимирское шоссе, д. 12, Телефон: (49234) 2-63-41, Факс: (49234) 2-63-41. **Набережные Челны**, ООО "КамаСнабТорг", 423803, ул. Сармановский тракт, д. 60,Телефон: (8552) 33-23-12, 44-49-99. **Набережные Челны**, ИП Давлаева И. М., 423800, ул. 40 лет Победы, ГСК "Визиди" бокс №19, Телефон: (962)566-95-23, Факс: (8552) 40-04-48. **Нальчик**, ООО "Техно-Сити", 360004, ул. Кирова, д.137,Телефон:(8662) 40-29-83, Факс: (8662) 40-78-78. **Нижний Новгород**, ИП Федосеев Е. И., 603124, ул. Московское ш., д. 300,Телефон: (831) 274-89-66, 274-89-67, Факс: 274-89-66, доб.117. **Нижний Новгород**, ООО "Пигмент", 603089, ул. Полтавская, д. 32,Телефон: (831) 416-78-70, 416-78-80, Факс: (831) 416-78-70. **Нижний Новгород**, ООО "Дровосек", 603086, ул. Бульвар Мира, д. 7,Телефон: (831) 281-81-91, Факс: (831) 281-81-91, **Новокузнецк**, ООО "Механик", 654005, ул. Пирогова, д. 301,Телефон:(3843) 73-83-17, Факс: (3843) 73-83-17, **Новосибирск**, ООО "Телец", 353920, ул. Героев Десантников, д. 61,Телефон: (8617) 63-50-10, Факс:(8617) 63-50-10. **Новосибирск**, ООО "СТП Регламент", 630091, ул. Советская, д. 52,Телефон: (3832) 20-00-30, Факс: (3832) 20-00-30. **Обнинск**, ИП Вишняков О. В. 249034, ул. Кабицинская Гос Заря №244,Телефон: (48439) 9-07-46, Факс:(48439) 9-07-46. **Сочи**, ЗАО "Исток", 354340, ул. Староанастасьевая, д. 30/2,Телефон:(8622) 40-20-64, 8-800-100-44-33. **Омск**, ООО "Профинструмент сервис", 644001, ул. Шебадина, д. 199, к. 1, Телефон: (3812) 36-65-09, Факс: (3812) 36-65-09. **Орел**, ИП Долженков А. В. 302030, ул. Старо-Московская, д. 7,Телефон: (4862) 54-36-07, Факс:(4862) 54-36-07.

Имена и адреса дистрибьютеров BLACK + DECKER

Оренбург, ООО "Уральский мастер", 460050, ул.Томиллинская, д. 238/1,Телефон: (3532) 53-26-11, 27-87-97, Факс: (3532) 53-26-11,
Орск, ИП Балан Ю. Л. 462421, ул. Новосибирская, д. 90 ,Телефон: (3537) 42-10-99, **Орск**, ООО "Проминком", 462421, ул. Новосибирская, д. 211,Телефон: (3537) 28-15-29, **Пенза**, ООО "Анкор", 440600 ул. Гладкова, д. 10, Телефон: (8412) 55-32-27, **Пермь**, ООО "КУБ", 614064, ул. Героев Хасана, д. 41,Телефон: (342) 240-25-39, 240-25-38, Факс: (342) 240-25-38, **Петрозаводск**, ООО "Батя - Сервис", 185031, ул. Заводская, д. 4,Телефон: (8142) 74-72-42, 77-15-77, **Псков**, ООО "Сервисный центр "Мастер", 180006, ул. Первомайская, д. 33,Телефон: (8112) 72-45-55, 72-30-56,Факс: (8112) 72-45-55, 72-30-56, **Сочи**, ИП Никишина Т. Л., 354000, ул. 20-й Горнострелковой дивизии д. 16,Телефон: (8622) 241-25-92, **Симферополь**, ООО "Инструмент Крым", 295001, ул. Крылова, д. 21, (0652) 60-09-36, (978)735-43-12, **Севастополь**, ИП Малинка А. Н., 299033, ул. Льва Толстого, д. 7, (978) 018-27-90,**Пятигорск**, ООО "Электра", 357500, ул. Суворовский проезд, д. 1 А, Телефон:(8793) 38-27-57 Факс: (8793) 38-27-57. **Ростов-на-Дону**, ИП Холод В. Н., 344004, ул. Нансена, д. 140,Телефон: (863) 279-03-05, 8(938)160-52-52. **Ростов-на-Дону**, ООО "Электротрактор-Сервис", 344079, ул. Нансена, д. 77 (863) 295-74-65, **Рязань**, ООО "С-ФК",390000, ул. Садовая, д. 33,Телефон: (4912) 28-20-16, 92-34-72,Факс: (4912) 28-20-16, **Рязань**, ИП Ильина Н. С., 390037, ул. Зубковой, д.8 А, Телефон: (4912) 32-07-81,Факс: (4912) 32-07-81, **Самара**, ООО "ЭлектроМаркт", 443052, ул. Земеца, д. 25,Телефон: (846) 955-24-14, Факс: (846) 955-24-14, **Самара**, ООО "Специалист", 443080, ул. 4-й проезд, д. 66,Телефон: (846) 342-52-61, Факс: (846) 342-52-61, **Санкт-Петербург**, ООО "Инфраком - Сервис", 190103, ул. наб. Обводного канала, д. 187, литер Д, Телефон: (812) 777-0-111, 251-83-39,Факс: (812) 251-83-74, 575-48-13, Санкт-Петербург, ООО "Электра", 190013, ул. Рузовская, д. 5/13, литер А, пом. 6-Н. Телефон: (812) 647-35-68,Факс: (812) 647-35-68, **Саратов**, ИП Петриченко В. В., 410005, ул. Соколова, д. 376,Телефон: (8452) 27-26-55, 69-26-15, 69-30-16,Факс: (8452) 69-30-37, **Саратов**, ООО "Дровосек", 410004, ул. Чернышевского, д. 88,Телефон: (8452) 20-03-81,20-03-87, Факс:(8452) 20-03-81,20-03-87, **Серпухов**, ИП Бекренев Г. А. 142200, деревня Борисово, Данковское шоссе, д. 3А,Телефон: (4967) 76-12-80, (926) 617-10-19, **Смоленск**, ИП Шульман А. И. 214004, ул. 2-й Краснинский переулок, д. 14,Телефон: (4812) 32-15-42,Факс: (4812) 32-15-42, **Сокол**, ООО "Домострой", 162130 ул. Набережная Свободы, д. 52,Телефон: (81733) 2-29-79, 2-26-72,Факс: (81733) 2-29-79, 2-26-72, **Сочи**, ИП Семенченко Т. В. 354000, ул. Транспортная, д./78,Телефон: 8-965-481-13-05, **Сочи**, ИП Никишина Т. Л., 352002, ул. 20-й Горнострелковой, дивизии д.16,Телефон: (8622) 25-52-13, **Ставрополь**, ИП Матвеев А. Б., 355002, ул. 50 лет ВЛКСМ, д. 89,Телефон: (8652) 55-41-35,Факс: (8652) 55-46-13. **Стерлитамак**, ИП Исаев А. В., 453118, ул. Худайбердина, д. 202 А,Телефон: (3473) 41-41-19. **Тамбов**, ОП Поликашина Ю. В., 392000, ул. Монтажников, д. 8 А,Телефон: (4752) 50-47-67. **Тольятти**, ООО "Инструмент сервис" 445000,ул.Офицерская, д. 24,Телефон: (8482) 51-58-13, 51-54-48, Факс:(8482) 51-54-48. **Томск**, ИП Брусиныч Н. К. 634061 ул. Герцена, д. 72,Телефон: (3822) 52-25-02, 97-95-73, Факс: (3822) 52-34-73. **Томск**, ИП Обухов М. Г.,634063,ул. Мичурина, д. 47, стр. 1,Телефон: (3822) 67-95-74, Факс: (3822) 67-95-74. **Тюмень**, ООО "Спецтехника", 625026, ул. Республики, д. 143, ост. Газпром, Телефон: (3452) 31-03-11, 20-55-97, Факс: (3452) 20-55-97. **Туапсе**, ИП Гвилава В. Б., 352800, ул. Армавирская, д. 8 Б, Телефон: (918) 600-32-42, Факс: (86167) 2-54-47, **Тула**, ИП Машинков Ю. Н., 300041, ул. Коминтерна, д. 24,Телефон: (4872) 55-87-21, **Узловая**, ООО "Инструмент-сервис", 301600, ул. Треугова, д. 31 А,Телефон: (48731) 6-29-64, Факс: (48731) 6-29-64. **Улан-Удэ**, ИП Коркина О. Ю., 670031, ул. Сахьяновская, д. 9 В, Телефон: (3012) 43-70-54, 43-58-61, Факс: (3012) 43-58-61. **Ульяновск**, ООО "ДПС", 432071, ул. пр-т Нариманова, д. 1, Телефон: (8422) 37-01-46, Факс: (8422) 37-01-46, **Ульяновск**, ООО "Дровосек", 432017, ул. Минаева, д. 12, Телефон: (8422) 32-21-28, Факс: (8422) 32-21-28. **Уфа**, ИП Мингалев А. В., 450078, ул. Кирова, д. 101,Телефон: (347) 246-31-86, Факс: (347) 246-31-86, **Ухта**, ООО "ТМ Мушковой Инструмент", 169300, ул. **Интернациональная**, д.40,Телефон: (8216) 72-09-00, **Хабаровск**, ООО "БизнесСтройИнструмент", 680014, ул. Переулоч Гражарный, д. 4, Телефон: (4212) 40-07-78, Факс: (4212) 40-07-77, **Чебоксары**, ИП Васильев А. Ю., 428000, ул. Базовый проезд, д. 8 Б,Телефон: (8352) 57-39-62, **Челябинск**, ИП Альперхова Д.П., 454138, ул. Молодогвардейцев, д. 7, корп.3,Телефон: (351) 267-50-01, 267-50-04, Факс: (351) 267-50-01, 267-50-04. **Череповец**, ИП Исупов А. А., 162614 ул. Вологодская, д. 50 А, Телефон: (8202) 202-102, доб.3. **Ярославль**, ООО "ЦентрРегионСервис", 150014, ул. Рыбинская, д. 30/30, Телефон: (4852) 20-05-28, 20-05-29, Факс: (4852) 20-05-29, **Ярославль**, ООО "ЯрБошСервис", 150040, ул. пр-т Ленина, д. 37/73, пом. 69, 70, 71 Телефон: (4852) 73-34-91. **Примьный Пункт**, Саранск, ООО "ФиТеС", 430030, ул., Титова, д. 4, Телефон: (8342) 23-32-23, Факс: (8342) 23-32-23. **Тверь**, ООО "Левша", ул. наб. Никитина, д. 142, Телефон: (4822) 52-27-87. **Камышин**, ООО "Инструмент-Сервис" 403873, ул. Пролетарская, д. 115 Б, Телефон: (84457) 5-27-27 Факс: (84457) 5-27-27. **Новоосовецк**, ООО "Инструмент-Сервис" 301660, ул. Мира, д.17 А, Телефон: (48762) 7-90-37, **Украина**, Донецк, ДП "ЭСКО-Днепр", 83018, ул. Ершова, д. 10, 38(062), Телефон: 349-24-20, Факс: 349-24-30 / **Днепропетровск**, ООО "ЭСКО-Днепр", 49038, ул. Возкальная, д. 6, Телефон: 38(056) 770-60-28, Факс: 38(062) 349-24-10. **Запорожье**, ООО "Альцест - Запорожье", 69057, ул. 40 лет Советской Украины, д. 86Б, Телефон: 38(061) 220-28-13, Факс: 38(0562) 711-971. **Ивано-Франковск**, АОЗТ "Альцест-Карпаты", 76000, ул. Мельничука, д. 8, Телефон: 38(0342) 50-24-04, Факс: 38(061) 301-71-52, 53 / **Киев**, ООО ПКП "ЭСКО", 04073, ул. Сырецкая, д. 33Ш, Телефон: 38(044) 581-11-25, Факс: 38(0342) 50-24-04. **Львов**, ООО "Дом инструментов ", 79020, ул. Замарастыновская, д. 76, Телефон: 38(0322) 24-72-13, 24-72-51, Факс: 38(044) 581-11-25. **Одесса**, ДП "ЭСКО-Одесса", 65033, ул. Строганова, д. 29А, 38(0482) 37-61-76, 38(0322) 24-72-13, **Харьков**, ФЛП Коротченко Е.В., 61001, ул. Юлия Чигирина, д. 13, Телефон: 38(057) 731-97-22,24,26, Факс: 38(0652) 600-936. **Луцк**, ФОП "Крукочевъ В. С.", 43024, пр. Соборности, д. 11 а, Телефон: 38(0332) 29-97-90, Факс: 38(057) 731-97-22, 24, 26, **КривойРог**, ЧП"Коновал А. В.", 50000, пр. Мира, д. 16, Телефон: 38(056) 404-03-45, Факс: 38(0332) 29-97-90, **Херсон**, ФОП Пархоменко Игорь Алексеевич, 73000, ул. Дровника, д. 12, Телефон: 38(0552) 39-06-90 Факс: 38(0552) 39-06-90. **Армения**, Ереван, ПК "АРЕГ", 0070, ул. Вардананца, д. 28, Телефон: (37410) 57-02-31, Факс: (37410) 57-02-38. **Беларусь**, Минск, УП "18", 220049, ул. Волгоградская, д. 13, к. 8, Телефон: (017) 280-77-81, 280-76-93, Факс: (37517) 207-22-78, 251-43-07. **Казахстан**, Алматы, ТОО "Ламэд", 050060, ул. Березовского, д. 3А, Телефон: (727) 244-64-46, Факс: (727) 244-64-46, **Актобе**, Филиал ТОО "Ламэд", 030000, ул., Санкибай Батыра, д. 4 Л, Телефон: (7132) 53-86-80, Факс: (7132) 51-05-54. **Астана** Филиал ТОО "Ламэд", 010000, ул. Пушкина, д. 37/1,Телефон: (7172) 47-81-37, Факс: (7172) 54-16-47. **Усть-Каменогорск**, ТОО "Алтай-Метиз", 070003 / , ул. Космическая, д. 4/19, Телефон: (7232) 53-45-44, Факс: (7232) 76-54-93. **Кустанай**, ИП Шипилкин В. Г., 110000, ул. Складская, бутик № 35,Телефон: (7142) 39-25-24, Факс: (7142) 56-62-67. **Павлодар**, ТОО "ЛСА - Сервис", 140000, ул. Академика Бектурова, д. 58, Телефон: (7182) 32-08-68. **Грузия**, Тбилиси, ООО "Кавкасия 99", 0141, ул. Ксанская №22, Телефон: (832) 260 94 49. **Тбилиси**, ООО "Евротехнологии", 177, ул.пр-т Казбеги, 26, Телефон: (832) 238 52 38. **Азербайджан**, Баку, ООО "Сантрал Электрик", AZ1029, ул. пр-т Зии Буньятова 2071-квартал, Телефон: (994) 12 514-40-46, Факс: (994) 12 514-40-46.

Şehir	Servis Adı	Adres	Telefon
Adana	Emin Elektrik Bobinaj	Karasu Mah. Kızılay Cad. 28006 Sok. No: 9/D Seyhan	0322 351 80 46
Adana	Demir Elektrik	Karasu Mah. Kızılay Cad. Güngör Pasajı No: 12 Seyhan	0322 352 97 95
Afyon	Katar Bobinaj	Güvenevler Mahallesi 1. San. Sitesi 622 Sokak 6. Blok No :12/A	0272 214 48 64
Ağrı	Tamgüç Bobinaj	Yavuz Mah. Kağızman Cad. Bülbül Sok. No: 51	0472 215 70 41
Amasya	Akotek Ticaret	Yeni Yol Cad. No: 85	0358 218 71 19
Ankara	Başak Elektrik	Başkent Orta San. Sit. 664. Sok. No: 28 Ostim	0312 386 20 84
Ankara	Tezcan Elektrik Bobinaj	1230/1 Sok. No:38 Ostim	0312 354 80 21
Ankara	Tezcan Elektrik Bobinaj	ŞubeYeni San. Sit. Demir Cad. No:64 Dışkapı	0312 311 28 09
Ankara	Tezcan Elektrik Bobinaj Şube	Çalın Sok. No: 32/E Sitelер	0312 348 63 88
Antalya	Yaşar Bobinaj	Aşağı Pazarcı Mah.1068 Sok. No: 19 Manavgat	0242 744 47 07
Antalya	Uslu Bobinaj	G. Pınarı Mah. Oba Yolu Üzeri No: 27/C Alanya	0242 511 57 01
Antalya	Gözde Bobinaj	Akdeniz San. Sit. 5010 Sok. No: 25 Kepez	0242 221 40 30
Antalya	E.B.A Teknik	Cumhuriyet Mah. Eski San. Sit. 682 Sok. No: 38	0242 345 36 22
Aydın	Ege Bobinaj	Yeni Mah. Atatürk Bul. No: 206/E Didim	0256 811 05 95
Aydın	Ozen Bobinaj	Ata Mah. Tepecik Bulvarı No:39	0256 227 07 07
Balıkesir	Küre Bobinaj	Atatürk Cad. No: 109 Bandırma	0266 718 46 79
Balıkesir	Tezger Bobinaj	Yeni San. Sit. Cumhuriyet Cad. No:198	0266 246 23 01
Batman	Topiz Bobinaj	Cumhuriyet Mah. 1512 Sok. No: 35/A	0488 214 87 70
Bolu	Moral Elektrik Bobinaj	Karamanlı Mah. Konuralp Cad. Bilgi Apt. No: 24	0374 210 02 32
Bursa	Vokart Ltd. Şti.	Gasızlar Cad. Eriklı Bağçe Sok. No: 7/B Osmangazi	0224 254 48 57
Bursa	Çağ Teknik Bobinaj	Yeni San. Orhangazi Cad. No:23 Inegöl	0224 715 57 37
Bursa	Vokart Ltd. Şti. Şube	Beşevler Küçük San. Sit. Ertuğrul Cad. 13. Satış Blok No: 19 Nilüfer	0224 441 57 00
Çanakkale	Ovalı Bobinaj	Hamdi Bey Mah. İstiklal Cad. No: 160 Biga	0286 316 49 66
Çanakkale	Kısacık Bobinaj	Namık Kemal Mah. Kaynak Sok. No: 41	0286 217 96 71
Çorum	Emek Bobinaj	Küçük San. Sit. 23. Cad. No: 5/C	0364 234 68 84
Denizli	Örsler Bobinaj	Ahisinan Cad. 171 Sok. Sedef Çarşısı No: 9/10	0258 261 42 74
Diyarbakır	Çetsan Elektrik	San. Sit. Karakol Sok. No: 1	0412 237 29 04
Düzce	Yıldız Makina	Burhanıye Mah. Gen. Kazım Sok. No: 10	0380 514 70 56
Düzce	Berke Makine	Kültür Mah. 793 Sok. No:10	0380 524 83 83
Edirne	Eray Bobinaj	Eski San. Sit. 12. Blok No: 9	0284 225 92 92
Elazığ	Kalender Elektrik Bobinaj	San. Sit. 11. Sok. No: 46	0424 224 85 01
Erzurum	Ümit Elektrik Makina	Karaağaç Mah. Sümerbank Cad. No:18/3	0446 224 08 01
Erzurum	Ümit Teknik	Bakırçı Mah. Bakırçı Sok. No: 1	0442 235 05 72
Erzurum	Teknik Makina Bobinaj	Demirciler San. Sit. 1. Blok D: 46 Yakutiye	0442 243 17 34
Eskişehir	Escan Hırdavat	İhsaniye Mah. Kırm Cad. No: 71/A	0222 321 20 40
Gaziantep	Eser Bobinaj	Küçük San. Sit. A Blok 11. Cad. 25. Ada No: 55 Ş. Kamil	0342 235 30 84
Gaziantep	Karavaşın Bobinaj	İsmet Paşa Mah. Şenyurt Cad. No: 35	0342 231 17 33
Hatay	Öz Kardeş Bobinaj	Yeni San. Sit. 38/A Blok No: 53	0326 221 22 91
İsparta	Izmir Bobinaj	Yeni San. Sit. 5 Blok No: 28	0246 223 70 11
İstanbul	Altek Mekatronik	İçmeler Mah. Ankara Cad. Erdoğan Sok. No: 5/C Tuzla	0216 494 03 43
İstanbul	Tarıf Makina	Bağdat Cad. Adalı Sok. No: 8 Maltepe	0216 370 21 11
İstanbul	Fırat Dış Ticaret	Tersane Cad. Zincirli Han Sok. No:3/A Karaköy	0212 252 93 43
İstanbul	Birlik Elektromekanik	Perpa Tic. Mer. B Blok Mavi Avlu Kat. 4 No: 318 Okmeydanı	0212 222 94 18
İstanbul	Kardeşler Bobinaj	Kağıthane Cad. No: 47 Çağlayan	0212 224 97 54
İstanbul	Mert Elektrik	İktelli Org. Demirciler San. Sit. D/2 Blok No: 280 İktelli	0212 549 65 78
İstanbul	Orjinal Elektrik	Bağlar Mah. Mimar Sinan Cad. No: 24 Güneşli	0212 515 67 71
İstanbul	Akai El. Servis Hizmetleri	Nato Yolu Cad. Tamer Sok. No: 1 Yukarı Dudullu Ümraniye	0216 540 53 54
İstanbul	Firat Dış Ticaret Şube	Yakuplu Merkez Mah. 63. Sok. Ağaogulları Plaza A Blok No:9/A Beylikdüzü	0212 876 63 51
İstanbul	Zirve Teknik	Mehmet Akif Ersoy Mah. Atatürk Cad. No: 58/B Sultanbeyli	0216 419 24 34
İzmir	Çetin Bobinaj	Cüneyt Bey Mah. İbrahim Turan Cad. No 98/A Menderes	0232 782 73 00
İzmir	Birlik Bobinaj	2824 Sok. No: 18 1. San. Sit. Halkapınar	0232 458 39 40
İzmir	Boro Cıvata	1203 Sok. Baltalı İş Merkezi C Blok. No: 18/C Yenisehir	0232 469 80 72
İzmir	Doruk Hırdavat	1426 Sok. No: 14 Hurdacılar Sitesi Doğanlar Bornova	0232 478 14 12
Kahramanmaraş	Bayram Bobinaj	Menderes mah. Girne Cad. No: 82	0344 281 08 26
Karabük	Damla Elektrik Bobinaj	Hürriyet Mah. Aktaş Cad. No: 17/B	0370 412 77 00
Karaman	Özüm Elektrik Bobinaj	Yeni San. Sit. 735. Sok. No: 2	0338 212 32 69
Kastamonu	Teknik Bobinaj	İnönü Mah. İnebulut Cad. No: 132	0366 212 62 26
Kayseri	Akın Elektrik Bobinaj	Eski San. Bölgesi 5. Cad. No: 8	0352 336 41 23
Kayseri	Akın Elektrik Bobinaj Şube	Ağaç İşleri San. Sit. 29. Cad. No:84 Melikgazi	0352 311 41 74
Kocaeli	Gülsoy Bobinaj	S. Orhan Mah. İlyas Bey Cad. 1111 Sok. No:5/1 Gebze	0262 646 92 49
Kocaeli	Teknik Karot	Gasızlar Mah. İbrahimdağ Cad. No: 159/A Gebze	0262 642 26 86
Kocaeli	Efe Elektrik Bobinaj	Körfez San. Sit. 12. Blok No: 11	0262 335 18 94
Konya	Sözömler Bobinaj	Fevzi Çakmak Mah. Komsan İş Merkezi Anamur 10562 Sok. No: 8	0332 342 63 18
Konya	MEB Murat Elk. Bobinaj	Karatay San. Sit. Fatih Mah. Çiçekli Sok. No: 10	0332 235 64 63
Kütahya	Doğan Bobinaj	Yeni San. Sit. 19. Sok. No: 32	0274 231 22 00
Malatya	Özer Bobinaj	Yeni San. Sit. 2. Cad. No: 95	0422 336 39 53
Manisa	Çavuş Bobinaj	Kurtuluş Mah. Fatih Cad. No: 44/A Soma	0236 614 13 78
Mersin	Coşkun Bobinaj	Mahmudiye Mah. 4810 sok. No: 68 Akdeniz	0324 337 31 61
Mersin	Üniversal Bobinaj	Yeni Mah. Çiftçiler Cad. No:12/B Akdeniz	0324 233 44 29
Muğla	Başaran Teknik	Beldibi Cad. Sanayi Girişi No: 5/C Marmaris	0252 419 20 29
Muğla	General Elektrik Bobinaj	Tuzla Mah. Adnan Menderes Bulvarı No: 37/A	0252 612 38 34
Muğla	Özseker Bobinaj	San. Sit. Demiröz Sok. No: 3 Bodrum	0252 313 11 02
Neuşehir	Çiftçü Soğutma	Yeni San. Sit 8 Blok No: 28	0384 213 19 96
Niğde	Emek Motor	Eski San. Çarşısı 1. Blok No: 2	0388 232 83 59
Sakarya	Engin Elektrik Bobinaj	Maltepe Mah. Orhan Gazi Cad. Şehit Metin Akkuş Sok. No: 19	0264 291 05 67
Samsun	Akış Bobinaj	Ülüs Cad. San. Sit. Keresteciler Kısmı No: 40	0362 238 07 23
Sivas	Bayraktar Elektrik	Camii Kebir Mah. Mahkemecarşısı Cad. No:40/C	0346 221 47 55
Şanlıurfa	Ay Elektrik	Samsat Kapaşaroglu Garajı No: 7	0414 215 74 76
Tekirdağ	Birkan Teknik	Şehsinan Mah. Ereğli Sok. No: 25	0282 654 50 91
Tekirdağ	Çetin Elektrik Bobinaj	100. Yıl San. Sit. 14B Blok No: 10	0282 263 86 60
Tokat	Çetin Elektrik Bobinaj	San. Sit. Camii Altı No: 22	0356 214 63 07
Trabzon	Akçay Bobinaj Makina	Yaylacık Mah. Tosun San Sit No: 3 Akçaabat	0462 227 54 26
Trabzon	Makina Market	Rize Cad. No: 71 Değirmendere	0462 328 14 80
Uşak	Zengin Bobinaj	İslicce Mah. Ş. İbrahim Aydın Sok. No:12	0276 227 27 46
Van	Özen Elektrik Bobinaj	Vali Mithatbey Mah. Koçbey Cad. Armoni İş Merkezi No: 23	0432 214 22 27
Yalova	Deniz El. Ser. Hizmetleri	Hürriyet Mah. Devlet Yolu Üzeri No: 54/1	0226 461 22 43
Zonguldak	Aytekin Elektrik	Kışla San. Sit. 1 Blok No: 24 Kdz. Ereğli	0372 136 39 71

GB WARRANTY CARD

BY ГАРАНТЫЙНЫЙ ТАЛОН

RUS ГАРАНТИЙНЫЙ ТАЛОН

KZ КЕПІЛДІК ТАЛОН

UA ГАРАНТІЙНИЙ ТАЛОН

UZ ГАРАНТИЯ ЧИПТАСИ



GB months

BY месяцы

RUS месяца

KZ ай

UA місяці

24

UZ ой

GB Serial No.	Date of sale	Selling stamp, Signature
RUS Серийный номер	Дата продажи	Печать и подпись торговой организации
UA Серійний номер	Дата продажу	Печатка та підпис торгівельної організації
BY Серийны нумар	Дата продажы	Пячатка і подпіс гандлёвай установы
KZ Сериялық нөмір	Сату күні	Сауда ұйымының мөрі мен қолтанбасы
UZ Серия сони	Сотилган куни	Савдо корхонанинг мухр ва имзоси

№ 1

Order No. / Заказ № / Замовлення №

Date of receipt/ Дата поступления/ Дата прийому

Date of receipt/ Дата выдачи/ Дата видання

Stamp and signature of the service centre/
Печать и подпись сервисного центра/
Печатка та підпис сервісного центру

№ 1

Order No. / Заказ № / Замовлення №

Date of receipt/ Дата поступления/ Дата прийому

Stamp and signature of the service centre/
Печать и подпись сервисного центра/
Печатка та підпис сервісного центру

№ 2

Order No. / Заказ № / Замовлення №

Date of receipt/ Дата поступления/ Дата прийому

Date of receipt/ Дата выдачи/ Дата видання

Stamp and signature of the service centre/
Печать и подпись сервисного центра/
Печатка та підпис сервісного центру

№ 2

Order No. / Заказ № / Замовлення №

Date of receipt/ Дата поступления/ Дата прийому

Stamp and signature of the service centre/
Печать и подпись сервисного центра/
Печатка та підпис сервісного центру

№ 3

Order No. / Заказ № / Замовлення №

Date of receipt/ Дата поступления/ Дата прийому

Date of receipt/ Дата выдачи/ Дата видання

Stamp and signature of the service centre/
Печать и подпись сервисного центра/
Печатка та підпис сервісного центру

№ 3

Order No. / Заказ № / Замовлення №

Date of receipt/ Дата поступления/ Дата прийому

Stamp and signature of the service centre/
Печать и подпись сервисного центра/
Печатка та підпис сервісного центру

№ 4

Order No. / Заказ № / Замовлення №

Date of receipt/ Дата поступления/ Дата прийому

Date of receipt/ Дата выдачи/ Дата видання

Stamp and signature of the service centre/
Печать и подпись сервисного центра/
Печатка та підпис сервісного центру

№ 4

Order No. / Заказ № / Замовлення №

Date of receipt/ Дата поступления/ Дата прийому

Stamp and signature of the service centre/
Печать и подпись сервисного центра/
Печатка та підпис сервісного центру

№ 4	№ 3	№ 2	№ 1
Заказ №/Талсырыс №/Буюртма №	Заказ №/Талсырыс №/Буюртма №	Заказ №/Талсырыс №/Буюртма №	Заказ №/Талсырыс №/Буюртма №
Дата прыемки/Кабылдау күні/Кабул килинган күни	Дата прыемки/Кабылдау күні/Кабул килинган күни	Дата прыемки/Кабылдау күні/Кабул килинган күни	Дата прыемки/Кабылдау күні/Кабул килинган күни
Дата выдачы/Беру күні/Кайтарыб берилган күни	Дата выдачы/Беру күні/Кайтарыб берилган күни	Дата выдачы/Беру күні/Кайтарыб берилган күни	Дата выдачы/Беру күні/Кайтарыб берилган күни
Пачатка і подпіс сэрвіснага цэнтра/ Сервіс орталыгының мөрі мен колтанбасы/ Сервіс марказининг мухр ва имзоси	Пачатка і подпіс сэрвіснага цэнтра/ Сервіс орталыгының мөрі мен колтанбасы/ Сервіс марказининг мухр ва имзоси	Пачатка і подпіс сэрвіснага цэнтра/ Сервіс орталыгының мөрі мен колтанбасы/ Сервіс марказининг мухр ва имзоси	Пачатка і подпіс сэрвіснага цэнтра/ Сервіс орталыгының мөрі мен колтанбасы/ Сервіс марказининг мухр ва имзоси
----- № 4	----- № 3	----- № 2	----- № 1
Заказ №/Талсырыс №/Буюртма №	Заказ №/Талсырыс №/Буюртма №	Заказ №/Талсырыс №/Буюртма №	Заказ №/Талсырыс №/Буюртма №
Дата прыемки/Кабылдау күні/Кабул килинган күни	Дата прыемки/Кабылдау күні/Кабул килинган күни	Дата прыемки/Кабылдау күні/Кабул килинган күни	Дата прыемки/Кабылдау күні/Кабул килинган күни



АВТОРИЗОВАННЫЕ СЕРВИСНЫЕ ЦЕНТРЫ



Сервисная сеть BLACK+DECKER постоянно расширяется.
Информацию об обслуживании в других городах Вы можете получить по телефонам
в Москве: (495) 258 39 81/2/3, в Киеве: (044) 238 95 94, www.blackanddecker.ru

„Исправный и полностью укомплектованный товар получил(а), с гарантийными условиями ознакомлен(а)/
Справний та повністю укомплектований товар отримав(ла), з гарантійними забор'язаннями ознайомлен(а)/
Спра ны і по насцю укомплектаваны тавар атрыма(ла), з гарантійнымі умовамі азнаёмлены(а)/
Т зу ж не толы жина тал ан тауар абылдадым, кепілдік шарттарымен таныстым/
Т затилган ва тулик комплектли махсулотни олдим, гарантия шартлари билан танишиб чикдим“

Подпись покупателя/ Підпис покупця/ Подпис закупника/ Сатып алушыны олтанбасы/ Хариддорниниз имзоси

İTHALATÇI FİRMA

Ünvanı	: Kale Hırdavat ve Makina A.Ş.
Adresi	: Defterdar Mah. Savaklar Cad. No:15 Edirnekapı - Eyüp / İSTANBUL
Telefon No.	: (0212) 533 52 55 (Pbx)
Faks No.	: (0212) 533 10 05
E-mail	: info@kalemakina.com



ÜRÜNÜN

Cinsi	:
Markası	: BLACK+DECKER
Modeli	:
Seri Numarası	:
Garanti Süresi	: 2 YIL
Azami Tamir Süresi	: 20 İŞ GÜNÜ

SATICI FİRMANIN

Ünvanı	:
Adresi	:
Telefon No.	:
Faks No.	:
Fatura Tarih ve No.	:
Ürün Teslim Tarihi	:
Ürün Teslim Yeri	:
Belgeyi Dolduranın Adı Soyadı	:

Kaşe - Yetkili İmza

GARANTİ ŞARTLARI

- Garanti süresi, malın teslim tarihinden itibaren başlar ve 2 yıldır.
- Malın bütün parçaları dahil olmak üzere tamamı firmamızın garantisine kapsamındadır.
- Malın ayıplı olduğunun anlaşılması durumunda tüketici, 6502 sayılı Tüketicinin Korunması Hakkında Kanunun 11 inci maddesinde yer alan;
 - Sözleşmeden dönme,
 - Satış bedelinden indirim isteme
 - Ücretsiz onarılmasını isteme
 - Satılanın ayıpsız bir misli ile değiştirilmesini isteme,haklarından birini kullanabilir.
- Tüketicinin bu haklardan ücretsiz onarım hakkını seçmesi durumunda satıcı; işçilik masrafı, değiştirilen parça bedeli ya da başka herhangi bir ad altında hiçbir ücret talep etmeksizin malın onarımını yapmak veya yaptırmakla yükümlüdür. Tüketici ücretsiz onarım hakkını üretici veya ithalatçıya karşı da kullanabilir.

Satıcı, üretici ve ithalatçı tüketicinin bu hakkını kullanmasından müteselsilen sorumludur.
- Tüketicinin, ücretsiz onarım hakkını kullanması halinde malın;
 - Garanti süresi içinde tekrar arızalanması,
 - Tamiri için gereken azami sürenin aşılması,
 - Tamirinin mümkün olmadığının, yetkili servis istasyonu, satıcı, üretici veya ithalatçı tarafından bir raporla belirlenmesidurumlarında; tüketici malın bedel iadesini, ayıp oranında bedel indirimini veya imkan varsa malın ayıpsız misli ile değiştirilmesini satıcıdan talep edebilir.
- Satıcı, tüketicinin talebini reddedemez. Bu talebin yerine getirilmemesi durumunda satıcı, üretici ve ithalatçı müteselsilen sorumludur.
- Malın tamir süresi 20 iş gününü geçemez. Bu süre, garanti süresi içerisinde mala ilişkin arızanın yetkili servis istasyonuna veya satıcıya bildiri tarihi, garanti süresi dışında ise malın yetkili servis istasyonuna teslim tarihinden itibaren başlar. Malın arızasının 10 iş günü içerisinde giderilmemesi halinde, üretici veya ithalatçı; malın tamiri tamamlanıncaya kadar, benzer özelliklere sahip başka bir malı tüketicinin kullanımına tahsis etmek zorundadır. Malın garanti süresi içerisinde arızalanması durumunda, tamirde geçen süre garanti süresine eklenir.
- Malın kullanma kılavuzunda yer alan hususlara aykırı kullanılmasından kaynaklanan arızalar garanti kapsamı dışındadır.
 - Garanti kapsam şartları;
 - Ürün hatalı kullanılmamıştır.
 - Ürün yıpranmamış, hırpalanmamış ve aşınmamıştır.
 - Yetkili olmayan kişilerce tamire çalışılmamıştır.
 - Satın alma belgesi (fatura) ibraz edilmiştir.
 - Ürün, tüm orijinal parçaları ile iade edilmiştir.
- Tüketici, garantiden doğan haklarının kullanılması ile ilgili olarak çıkabilecek uyuşmazlıklarda yerleşim yerinin bulunduğu veya tüketici işleminin yapıldığı yerdeki Tüketici Hakem Heyetine veya Tüketici Mahkemesine başvurabilir.
- Satıcı tarafından Garanti Belgesinin verilmemesi durumunda, tüketici Gümrük ve Ticaret Bakanlığı Tüketicinin Korunması ve Piyasa Gözetimi Genel Müdürlüğüne başvurabilir.

EEE Yönetmeliğine uygundur.

KULLANMA KILAVUZU İÇİN EK BİLGİLER

-Taşıma ve nakliye sırasında dikkat edilecek hususlar;
Cihazı taşıma ve nakliye esnasında hasar verecek şekilde taşınmamalı, bir yerden bir yere fırlatılmamalı, istifleme yapılırken dikkat edilmeli.

-Gümrük ve Ticaret Bakanlığı uyarınca belirlenen kullanım ömürleri aşağıdaki gibidir;

Testere Makineleri	7 yıl
Polisaj Makineleri	7 yıl
Matkaplar	7 yıl
Vidalama Makineleri	7 yıl
Zımpara Makineleri	7 yıl
Elektrikli Süpürgeler	10 yıl
Jeneratörler	10 yıl
Akümülatörler	5 yıl
Kesintisiz Güç Kaynakları	5 yıl
Dönüştürücüler	3 yıl
Çim-Ot-Çit Kesme Makineleri	5 yıl
Çim Biçme Makineleri	5 yıl
Zincirli Testere Makineleri	5 yıl
Çapalama Makineleri	5 yıl
Araç Buzdolapları	10 yıl
Buharlı Temizlik Makineleri	10 yıl

-Malın ayıplı olduğunun anlaşılması durumunda tüketici, 6502 sayılı Tüketici Korunması Hakkında Kanununun 11 inci maddesinde yer alan;

- Sözleşmeden dönme,
 - Satış bedelinden indirim isteme
 - Ücretsiz onarılmasını isteme
 - Satılanın ayıpsız bir misli ile değiştirilmesini isteme,
- haklarından birini kullanabilir.

-Tüketici, garantiden doğan haklarının kullanılması ile ilgili olarak çıkabilecek uyuşmazlıklarda yerleşim yerinin bulunduğu veya tüketici işleminin yapıldığı yerdeki Tüketici Hakem Heyetine veya Tüketici Mahkemesine başvurabilir.



WARRANTY REGISTRATION CARD

YOUR NAME/ الإسم

.....

YOUR ADDRESS العنوان

.....

.....

.....

POSTCODE الرمز البريدي

.....

DATE OF PURCHASE تاريخ الشراء

.....

DEALER'S NAME & ADDRESS/ إسم و عنوان البائع

.....

.....

PRODUCT MODEL NO. EGBHP146, EGBHP148, EGBHP188, EGBHP1881

