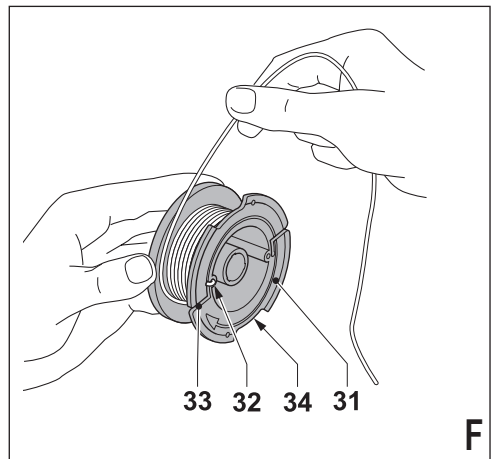
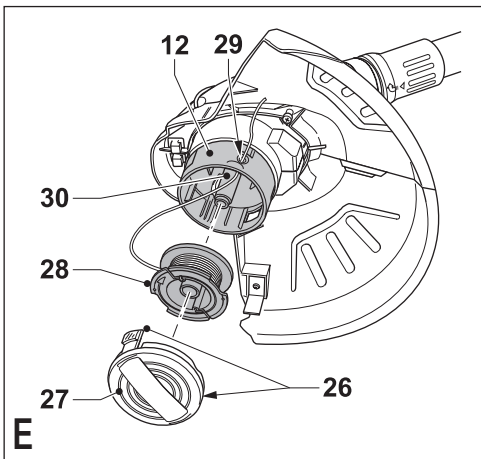
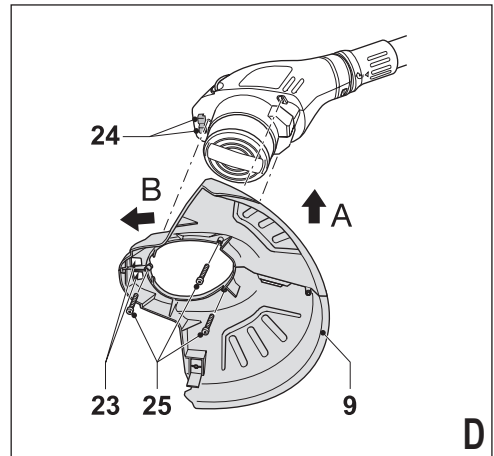
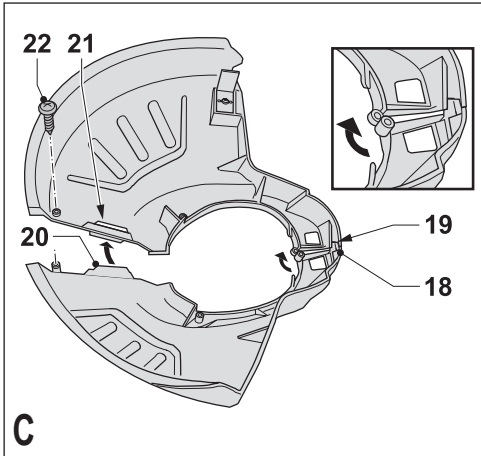
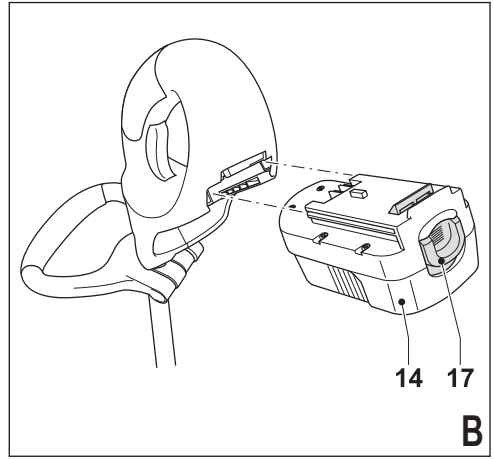
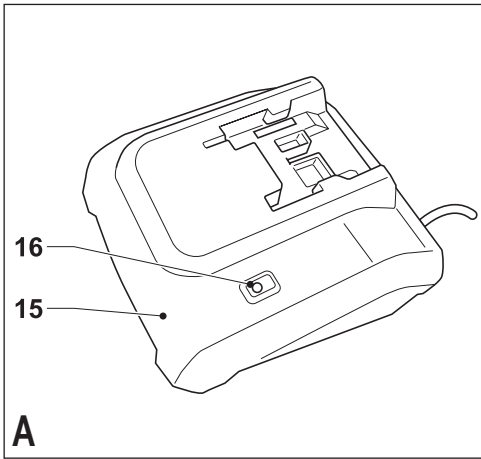
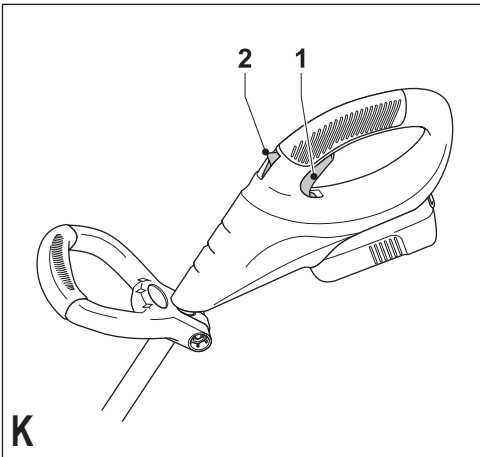
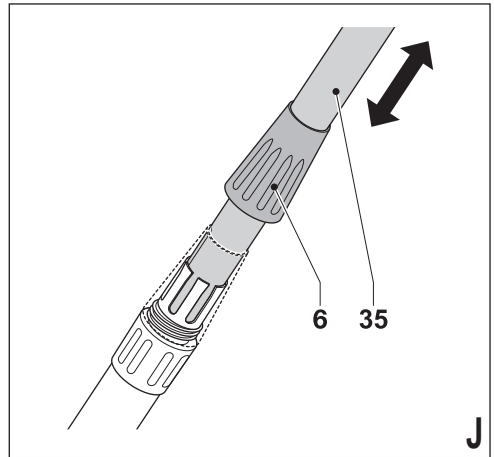
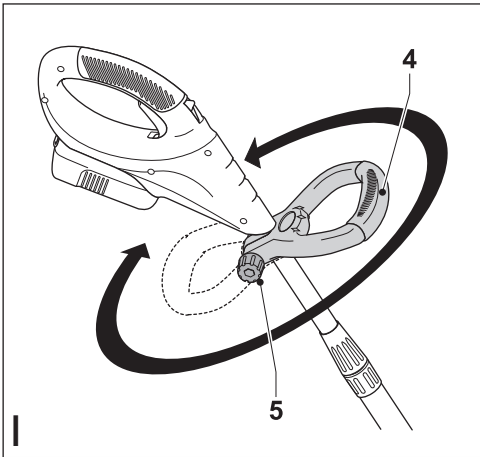
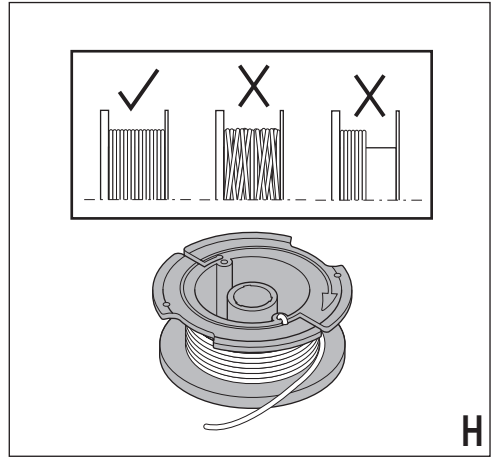
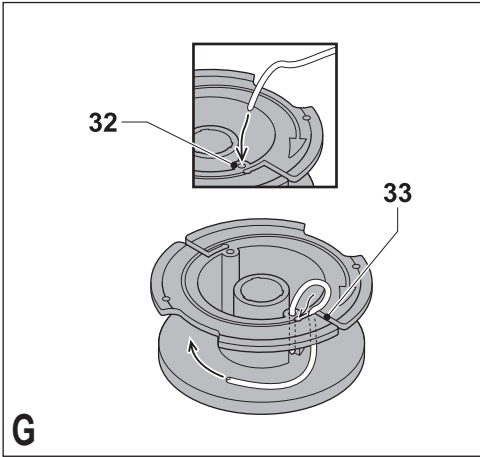
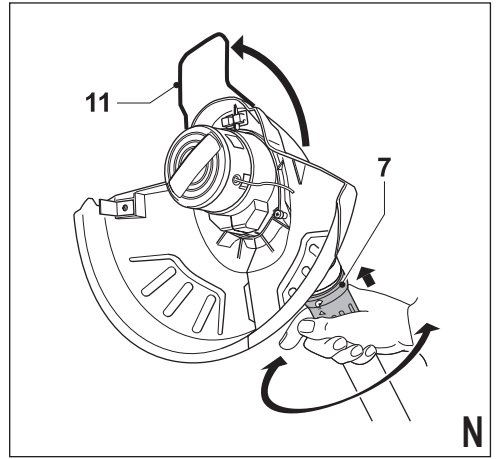
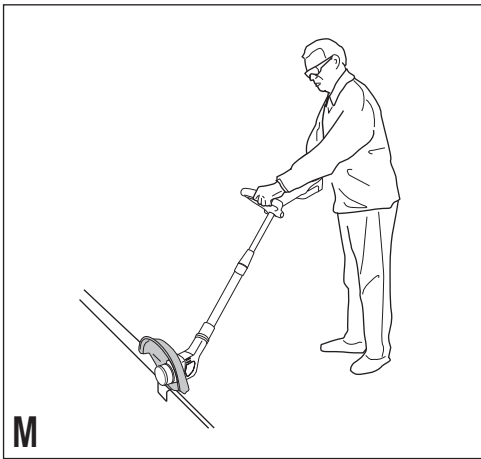
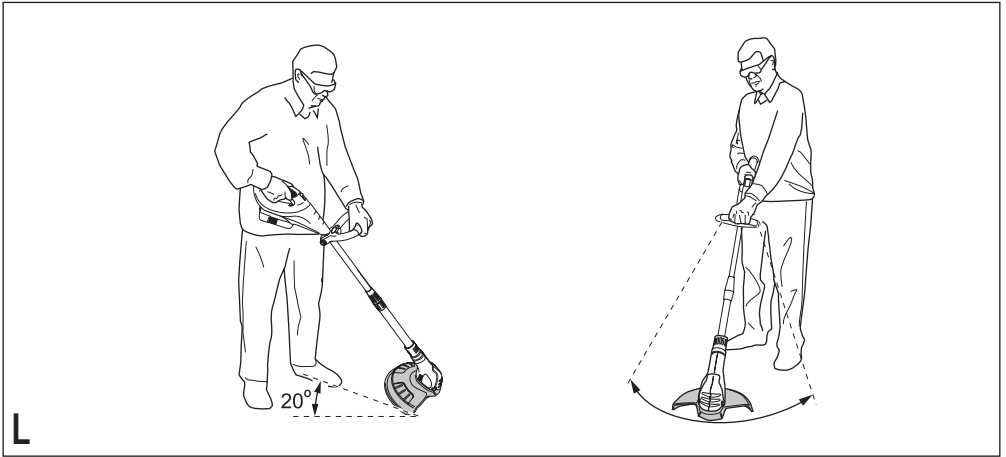


English	(Original instructions)	4
Deutsch	(Übersetzung der Originalanleitung)	10
Français	(Traduction des instructions d'origine)	17
Italiano	(Traduzione delle istruzioni originali)	23
Nederlands	(Vertaling van de originele instructies)	29
Español	(Traducción de las instrucciones originales)	35
Português	(Tradução das instruções originais)	41
Svenska	(Översättning av de ursprungliga anvisningarna)	47
Norsk	(Oversettelse av de opprinnelige instruksjonene)	53
Dansk	(Oversættelse af de originale instruktioner)	59
Suomi	(Alkuperäisten ohjeiden käännös)	65
Ελληνικά	(Μετάφραση των αρχικών οδηγιών)	71







Intended use

Your Black & Decker strimmer has been designed for trimming and finishing lawn edges and to cut grass in confined spaces. This tool is intended for consumer use only.

Your Black & Decker charger has been designed for charging Black & Decker batteries of the type supplied with this tool.

Safety instructions

General



Warning! When using battery-powered tools, basic safety precautions, including the following, should always be followed to reduce the risk of fire, leaking batteries, personal injury and material damage.

- ◆ Read all of this manual carefully before operating the tool.
- ◆ Before operating the tool, make sure that you know how to switch it off in an emergency.
- ◆ The intended use is described in this manual. The use of any accessory or attachment of performance of any operation with this tool other than those recommended in this instruction manual can present a risk of personal injury.
- ◆ Retain this manual for future reference.

Work area

- ◆ Do not expose the tool to rain.
- ◆ Do not use the tool in damp or wet conditions.
- ◆ Only use the tool in daylight or good artificial light.

Personal protection

- ◆ Wear stout shoes or boots to protect your feet.
- ◆ Do not operate the tool wearing open-toed sandals or when barefoot.
- ◆ Wear long trousers to protect your legs.

Using the tool

- ◆ Stay alert. Watch what you are doing. Use common sense.
- ◆ Do not operate the tool when you are tired.
- ◆ If the tool begins to vibrate abnormally, switch it off. Allow rotating parts to stop and inspect the tool for damage and loose parts.

Safety of others

- ◆ Do not allow children or any person unfamiliar with these instructions to operate the appliance.
- ◆ Do not allow children, visitors or animals to come near the work area or to touch the tool.
- ◆ Remember that the operator may be held responsible for accidents or hazards occurring to other people or their property.

This appliance is not intended for use by persons (including children) with reduced physical, sensory or mental capabilities, or lack of experience and knowledge, unless they have been given supervision or instruction concerning use of the appliance by a person responsible for their safety. Children should be supervised to ensure that they do not play with the appliance.

After use

- ◆ Switch off and ensure that moving parts have stopped rotating before leaving the tool unattended and before changing, cleaning or inspecting any parts of the tool.
- ◆ When not in use, the tool should be stored in a dry place. Children should not have access to stored tools.

Inspection and repairs

- ◆ Before use, check the tool for damaged or defective parts. Check for misalignment and seizure of moving parts, breakage or parts, damage to guards and switches and any other conditions that can affect its operation.
- ◆ Do not use the tool if any part is damaged or defective. Do not use the tool if the switch does not turn it on and off.
- ◆ Never use the tool when any guard or enclosure is damaged or not in place.
- ◆ Ensure that the tool operates properly and perform its intended function.
- ◆ Have any damaged or defective parts repaired or replaced by an authorised repair agent.
- ◆ Never attempt to remove or replace any parts other than those specified in this manual.

Additional safety instructions for batteries and chargers

Batteries

- ◆ Never attempt to open for any reason.
- ◆ Do not expose the battery to water.
- ◆ Do not expose the battery to heat.
- ◆ Do not store in locations where the temperature may exceed 40 °C.
- ◆ Charge only at ambient temperatures between 10 °C and 40 °C.
- ◆ Charge only using the charger provided with the tool.
- ◆ When disposing of batteries, follow the instructions given in the section "Protecting the environment".
- ◆ Do not damage or deform the battery either by puncture or impact, as this can create a risk of injury and fire.
- ◆ Do not charge damaged batteries.

Chargers

Warning! Your charger has been designed for a specific voltage. Always check that the mains voltage corresponds to the voltage on the rating plate.

- ◆ Use your Black & Decker charger only to charge the battery in the tool with which it was supplied. Other batteries could burst, causing personal injury and damage.
- ◆ Never attempt to charge non-rechargeable batteries.
- ◆ If the supply cord is damaged, it must be replaced by the manufacturer or an authorised Black & Decker Service Centre in order to avoid hazard.
- ◆ Do not expose the charger to water.
- ◆ Do not open the charger.
- ◆ Do not probe the charger.

The following symbols are found on your charger:



Your charger is double insulated; therefore no earth wire is required. Always check that the mains voltage corresponds to the voltage on the rating plate. Never attempt to replace the charger unit with a regular mains plug.



The charger is intended for indoor use only.



Read the instruction manual before use.



Charge only at ambient temperatures between 10 °C and 40 °C.

Additional safety instructions for grass trimmers

The following warning symbols are found on the tool:



Wear safety glasses or goggles when operating this tool.



Warning! The cutting line will continue to run for a few seconds after switching the tool off. Never attempt to force the line to come to a standstill.



Keep people and animals at least 6 m away from the cutting area.



Do not expose the tool to rain or high humidity.

- ◆ Be familiar with the control and the proper use of the tool.
- ◆ Only use the tool in daylight of good artificial light.
- ◆ Wear stout shoes or boots to protect your feet.
- ◆ Wear long trousers to protect your legs.
- ◆ Before using the tool, check that your cutting path is free from sticks, stones, wire and any other obstacles.

- ◆ Only use the tool in the upright position, with the cutting line near the ground. Never switch the tool on in any other position.
- ◆ Move slowly when using the tool. Be aware that freshly cut grass is damp and slippery.
- ◆ Do not work on steep slopes. Work across the face of slopes, not up and down.
- ◆ Never cross gravel paths or roads while the tool is running.
- ◆ Never touch the cutting line while the tool is running.
- ◆ Do not put the tool down until the cutting line has come to a complete standstill.
- ◆ Use only the appropriate type of cutting line. Never use metal cutting line or fishing line.
- ◆ Be careful not to touch the line trimming blade.
- ◆ Keep hands and feet away from the cutting line at all times, especially when switching on the tool.



Warning! The cutting elements continue to rotate after the tool is switched off.

- ◆ Never operate the tool with damaged guards or without guards in place.
- ◆ Always ensure that the ventilation slots are kept clear of debris.

Electrical safety



Your charger is double insulated; therefore no earth wire is required. Always check that the mains voltage corresponds to the voltage on the rating plate. Never attempt to replace the charger unit with a regular mains plug.

Features

1. On/off switch
2. Lock-off button
3. Main handle
4. Secondary handle
5. Handle knob
6. Handle adjustment collar
7. Mode adjustment collar
8. Motor housing
9. Guard
10. Line trimming blade
11. Edge guide
12. Spool housing
13. Cutting line
14. Battery

Fig. A

15. Charger
16. Charging indicator

Assembly

Warning! Before assembly, remove the battery from the tool.

Fitting and removing the battery (fig. B)

- ◆ To fit the battery (14), line it up with the receptacle on the tool. Slide the battery into the receptacle and push until the battery snaps into place.
- ◆ To remove the battery, push the release button (17) while at the same time pulling the battery out of the receptacle.

Assembling the guard (fig. C)

- ◆ Place the pin (18) of the guard into the hole (19).
- ◆ Place the tongue (20) into the slot (21) until it locks into place.
- ◆ Fit the screw (22) and tighten the screw.

Fitting the guard (fig. D)

Warning! Never operate the tool with damaged guards or shields or without guards or shield in place.

- ◆ Place the guard (9) onto the tool as shown, aligning the holes (23) with the lugs (24) on the tool.
- ◆ Press the guard until it snaps into place (A).
- ◆ Push the guard forward (B).
- ◆ Securely tighten the screws (25).

Warning! Never use the tool unless the guard is properly fitted.

Fitting a new spool of cutting line (fig. E)

Replacement spools of cutting line are available from your Black & Decker dealer (cat. no. A6481).

- ◆ Keep the tabs (26) on the spool cover (27) depressed and remove the spool cover from the housing (12).
- ◆ Remove the empty spool (28) from the housing.
- ◆ Remove any dirt and grass from the housing.
- ◆ Take the new spool and unwind approx. 12 cm of cutting line.
- ◆ Feed the cutting line through the eyelet (29).
- ◆ Push the spool onto the drive shaft (30) and rotate it slightly until it is seated. Make sure that the cutting line is not trapped under the spool and that 10-12 cm of cutting line protrudes from the housing.
- ◆ Align the tabs on the spool cover with the holes in the housing.
- ◆ Push the cover onto the housing until it snaps into place.

Warning! If the cutting line protrudes beyond the trimming blade (10), cut it off so that it just reaches the blade.

Winding new line onto an empty spool (fig. F - H)

You may wind new cutting line onto an empty spool.

Replacement packs of cutting line are available from your Black & Decker dealer (cat. no. A6170 (25 m), A6171 (40 m)).

- ◆ Remove the empty spool from the tool as described above.
- ◆ Remove any old cutting line from the spool (31) (fig. F).
- ◆ Feed 2 cm of cutting line into one of the holes (32) in the spool as shown (fig. G).

- ◆ Bend the cutting line and anchor it in the L-shaped slot (33).
- ◆ Wind the cutting line onto the spool in the direction of the arrow. Make sure to wind the line on neatly and in layers. Do not criss-cross (fig. H).
- ◆ When the wound cutting line reaches the recesses (34), cut the line. Let the line protrude approx. 12 cm from the spool and hold a finger on the line to keep it in place (fig. F).
- ◆ Proceed as described above to fit the spool on the tool.

Warning! Only use the appropriate type of Black & Decker cutting line.

Residual risks.

Additional residual risks may arise when using the tool which may not be included in the enclosed safety warnings. These risks can arise from misuse, prolonged use etc.

Even with the application of the relevant safety regulations and the implementation of safety devices, certain residual risks can not be avoided. These include:

- ◆ **Injuries caused by touching any rotating/moving parts.**
- ◆ **Injuries caused when changing any parts, blades or accessories.**
- ◆ **Injuries caused by prolonged use of a tool. When using any tool for prolonged periods ensure you take regular breaks.**
- ◆ **Impairment of hearing.**
- ◆ **Health hazards caused by breathing dust developed when using your tool (example:- working with wood, especially oak, beech and MDF.)**

Use

Warning! Let the tool work at its own pace. Do not overload.

Charging the battery (fig. A)

Warning! Do not charge the battery at ambient temperatures below 4 °C or above 40 °C. Recommended charging temperature: approx. 24 °C.

Note: The charger will not charge a battery if the cell temperature is below approximately 0 °C or above 60 °C. The battery should be left in the charger and the charger will begin to charge automatically when the cell temperature warms up or cools down.

- ◆ Plug in the charger (15) and switch on at the mains.
- ◆ Insert the battery (14) into the charger. Make sure that the battery is fully seated in the charger (15).

The charging indicator (16) will flash continuously (slowly). The charge is complete when the charging indicator (16) lights continuously. The charger and the battery can be left connected indefinitely with the LED illuminated. The LED will change to flashing (charging) state as the charger occasionally tops off the battery charge. The charging indicator (16) will be lit as long as the battery is connected to the plugged-in charger.

- ◆ Charge discharged batteries within 1 week. Battery life will be greatly diminished if stored in a discharged state.

Charging indicators

If the charger detects a problem with the battery, the charging indicator (16) will flash at a fast rate. Proceed as follows:

- ◆ Re-insert the battery (14).
- ◆ If the charging indicators continues flashing at a fast rate, use a different battery to determine if the charging process works properly.
- ◆ If the replaced battery charges correctly, the original battery is defective and should be returned to a service centre for recycling.
- ◆ If the new battery gives the same indication as the original battery, take the charger to be tested at an authorised services centre.

Note: It may take as long as 15 minutes to determine that the battery is defective. If the battery is too hot or too cold, the LED will alternately blink fast and slow, one flash at each speed and repeat.

Adjusting the position of the secondary handle (fig. I)

The secondary handle (4) can be adjusted to provide optimum balance and comfort.

- ◆ Let the guard (9) rest on the ground.
- ◆ Slacken the handle knob (5).
- ◆ Move the handle into the desired position.
- ◆ Securely tighten the handle knob.

Adjusting the height (fig. J)

The telescopic shaft (35) allows you to set the tool to a comfortable height.

- ◆ Loosen the collar (6).
- ◆ To increase the height, slide the shaft out.
- ◆ To reduce the height, slide the shaft in.
- ◆ Tighten the collar.

Switching on and off (fig. K)

For your safety, this tool is equipped with a double switching system. This system prevents starting the tool inadvertently.

Switching on

- ◆ Push the lock-off button (2) backward using your thumb and at the same time squeeze the on/off switch (1).
- ◆ Release the lock-off button.

Switching off

- ◆ Release the on/off switch (1).

Warning! Never attempt to lock a switch in the on position.

Setting the tool to trimming or edging mode (fig. L - N)

The tool can be used in trimming mode as shown in fig. L or in

edging mode to trim overhanging grass along lawn edges and flower beds as shown in fig. M.

Trimming mode (fig. L & N)

For trimming, the trimmer head should be in the position shown in fig. L. If it is not:

- ◆ While holding the secondary handle with one hand, take the collar (7) in the other hand as shown (fig. L).
- ◆ Push the collar in the direction of the trimmer head and rotate it counterclockwise until the trimmer head engages in the trimming position (fig. N).
- ◆ Release the collar.
- ◆ Set the edge guide (11) to the retracted position.

Edging mode (fig. M & N)

For edging, the trimmer head should be in the position shown in fig. M. If it is not:

- ◆ While holding the secondary handle with one hand, take the collar (7) in the other hand as shown (fig. M).
- ◆ Push the collar in the direction of the trimmer head and rotate it clockwise until the trimmer head engages in the edging position (fig. N).
- ◆ Release the collar.
- ◆ Set the edge guide (11) to the retracted position.

Hints for optimum use (fig. L)

Trimming

- ◆ Hold the tool as shown in fig. L.
- ◆ Gently swing the trimmer from side to side as shown in fig. L.
- ◆ When cutting long grass, work in stages from the top.
- ◆ Keep the tool away from hard objects and delicate plants.
- ◆ If the tool starts running slowly, reduce the load.

Edging

Optimum cutting results are achieved on edges deeper than 50 mm.

- ◆ Do not use the tool to create edges. To create edges, use an edging spade.
- ◆ Guide the tool as shown in fig. L. Keep the edge guide against the lawn edge.
- ◆ To make a closer cut, slightly tilt the tool.

General

- ◆ In order to achieve optimum results, only cut dry grass.
- ◆ If possible, keep the battery connected to the charger and the charger plugged in whenever the tool is not in use.

Maintenance

Your Black & Decker tool has been designed to operate over a long period of time with a minimum of maintenance. Continuous satisfactory operation depends upon proper tool care and regular cleaning.

Your charger does not require any maintenance apart from regular cleaning.

Warning! Before performing any maintenance on the tool, remove the battery from the tool. Unplug the charger before cleaning it.

- ◆ After use disconnect the battery and check the tool for any damage.
- ◆ Regularly clean the ventilation slots in your tool and charger using a soft brush or dry cloth.
- ◆ Regularly clean the motor housing using a damp cloth. Do not use any abrasive or solvent-based cleaner.
- ◆ Regularly clean the cutting line and spool using a soft brush or dry cloth.
- ◆ Regularly use a blunt scraper to remove grass and dirt from the underneath of the guard.

Storage

When the tool will not be used for several months, ideally leave the battery connected to the charger. Otherwise proceed as follows:

- ◆ Fully charge the battery.
- ◆ Remove the battery from the tool.
- ◆ Store the tool and battery in a secure and dry location. The storage temperature must always remain in the range of +5 °C to +40 °C. Place the battery on a level surface.
- ◆ Before using the tool after prolonged storage, fully charge the battery again.

Troubleshooting

If your tool seems not to operate properly, follow the instructions below. If this does not solve the problem, please contact your local Black & Decker repair agent.

Warning! Before proceeding, remove the battery from the tool.

Tool runs slowly

- ◆ Check that the spool housing can rotate freely. Carefully clean it if necessary.
- ◆ Check that the cutting line does not protrude more than 10-12 cm from the spool housing. If it does, cut it off so that it just reaches the line trimming blade.

Automatic line feed does not work

- ◆ Keep the tabs depressed and remove the spool cover from the housing.
- ◆ Lift the spool approx. 6 mm and pull the cutting line until it protrudes 10-12 cm from the housing. If insufficient cutting line is left on the spool, install a new spool of cutting line as instructed above.
- ◆ Push the spool back into place and rotate it slightly until it is seated.
- ◆ Align the tabs on the spool cover with the holes in the

housing.

- ◆ Push the cover onto the housing until it snaps securely into place.
- ◆ If the cutting line protrudes beyond the trimming blade, cut it off so that it just reaches the blade.

If the automatic line feed still does not work, try the following suggestions:

- ◆ Carefully clean the spool housing.
- ◆ Remove the spool and check if the lever can move freely.
- ◆ Remove the spool and unwind the cutting line, then wind it on neatly again as described above. Replace the spool as instructed.

Spool is jammed

- ◆ Keep the tabs depressed and remove the spool cover from the housing.
- ◆ Carefully clean the spool housing.
- ◆ Push the cover onto the housing until it snaps securely into place.

Protecting the environment



Separate collection. This product must not be disposed of with normal household waste.

Should you find one day that your Black & Decker product needs replacement, or if it is of no further use to you, do not dispose of it with household waste. Make this product available for separate collection.



Separate collection of used products and packaging allows materials to be recycled and used again. Re-use of recycled materials helps prevent environmental pollution and reduces the demand for raw materials.

Local regulations may provide for separate collection of electrical products from the household, at municipal waste sites or by the retailer when you purchase a new product.

Black & Decker provides a facility for the collection and recycling of Black & Decker products once they have reached the end of their working life. To take advantage of this service please return your product to any authorised repair agent who will collect them on our behalf.

You can check the location of your nearest authorised repair agent by contacting your local Black & Decker office at the address indicated in this manual. Alternatively, a list of authorised Black & Decker repair agents and full details of our after-sales service and contacts are available on the Internet at: www.2helpU.com

Batteries



Black & Decker batteries can be recharged many times. At the end of their useful life, discard batteries with due care for our environment:

- ◆ Run the battery down completely, then remove it from the tool.
- ◆ NiCd, NiMH and Li-Ion batteries are recyclable. Take them to any authorised repair agent or a local recycling station.

Technical data

GLC2500L (H2)	
Voltage	V _{DC} 18
No-load speed	min ⁻¹ 6,800
Weight	kg 3.2
Battery A1518L	
Voltage	V _{DC} 18
Capacity	Ah 1.5
Weight	kg 0.8
Charger 9053954*	
Input voltage	V _{AC} 230
Output voltage	V _{DC} 21
Current	A 1.9
Approx. charging time	h 1
Weight	kg 0.5

Vibration total values (triax vector sum) according to EN 786:
 Vibration emission value (a_{hv}) 4 m/s²,
 uncertainty (K) 1.5 m/s²

EC declaration of conformity

MACHINERY DIRECTIVE
 OUTDOOR NOISE DIRECTIVE



GL2500L

Black & Decker declares that these products described under "technical data" are in compliance with:
 2006/42/EC, EN 60335-1, EN 60335-2-91

2000/14/EC, Lawn Trimmer, L ≤ 50 cm, Annex VIII
 KEMA Quality B.V., Utrechtseweg 310, 6802 ED Arnhem,
 The Netherlands
 Notified Body ID No.: 0344

Level of sound power according to 2000/14/EC
 (Article 12, Annex III, (6) L ≤ 50 cm):
 L_{WA} (measure sound power) 95 dB(A)
 Uncertainty = 3 dB(A)
 L_{WA} (guaranteed sound power) 96 dB(A)
 Uncertainty = 3 dB(A)

These products also comply with directive 2004/108/EC.
 For more information, please contact Black & Decker at the following address or refer to the back of the manual.

The undersigned is responsible for compilation of the technical file and makes this declaration on behalf of Black & Decker.

Kevin Hewitt
 Vice-President Global Engineering
 Black & Decker Europe, 210 Bath Road, Slough,
 Berkshire, SL1 3YD
 United Kingdom
 21/01/2010

Guarantee

Black & Decker is confident of the quality of its products and offers an outstanding guarantee. This guarantee statement is in addition to and in no way prejudices your statutory rights. The guarantee is valid within the territories of the Member States of the European Union and the European Free Trade Area.

If a Black & Decker product becomes defective due to faulty materials, workmanship or lack of conformity, within 24 months from the date of purchase, Black & Decker guarantees to replace defective parts, repair products subjected to fair wear and tear or replace such products to ensure minimum inconvenience to the customer unless:

- ◆ The product has been used for trade, professional or hire purposes;
- ◆ The product has been subjected to misuse or neglect;
- ◆ The product has sustained damage through foreign objects, substances or accidents;
- ◆ Repairs have been attempted by persons other than authorised repair agents or Black & Decker service staff.

To claim on the guarantee, you will need to submit proof of purchase to the seller or an authorised repair agent. You can check the location of your nearest authorised repair agent by contacting your local Black & Decker office at the address indicated in this manual. Alternatively, a list of authorised Black & Decker repair agents and full details of our after-sales service and contacts are available on the Internet at:

www.2helpU.com

Please visit our website www.blackanddecker.co.uk to register your new Black & Decker product and to be kept up to date on new products and special offers. Further information on the Black & Decker brand and our range of products is available at **www.blackanddecker.co.uk**

Bestimmungsgemäße Verwendung

Ihr Black & Decker Strimmer wurde zum Trimmen und Beschneiden von Rasenkanten sowie zum Schneiden von Gras an schwer zugänglichen Stellen entwickelt. Dieses Gerät ist nicht für den gewerblichen Einsatz vorgesehen. Ihr Black & Decker Ladegerät wurde zum Laden von Black & Decker Akkus vom im Lieferumfang enthaltenen Typ entwickelt.

Sicherheitshinweise

Allgemein



Achtung! Bei der Verwendung von Batteriegeräten sind zum Schutz gegen Feuergefahr, gegen Austreten der Batterieflüssigkeit sowie gegen Körper- und Sachschaden grundlegende Sicherheitsmaßnahmen, einschließlich der folgenden Vorschriften, zu beachten.

- ◆ Lesen Sie diese Anleitung gründlich durch, bevor Sie das Elektrowerkzeug verwenden.
- ◆ Informieren Sie sich vor der Inbetriebnahme, wie Sie das Gerät im Notfall ausschalten.
- ◆ Die bestimmungsgemäße Verwendung ist in dieser Bedienungsanleitung beschrieben. Das Verwenden anderer als der in dieser Anleitung empfohlenen Anbaugeräte und Zubehörteile oder die Ausführung von Arbeiten mit diesem Werkzeug, die nicht der bestimmungsgemäßen Verwendung entsprechen, kann zu Personenverletzungen führen.
- ◆ Bewahren Sie diese Anleitung auf.

Arbeitsbereich

- ◆ Setzen Sie das Werkzeug keinem Regen aus.
- ◆ Verwenden Sie das Werkzeug nicht in einer feuchten oder nassen Umgebung.
- ◆ Verwenden Sie das Gerät nur bei Tageslicht oder guter künstlicher Beleuchtung.

Schutzmaßnahmen

- ◆ Tragen Sie zum Schutz Ihrer Füße feste Schuhe oder Stiefel.
- ◆ Verwenden Sie das Gerät nicht barfuß oder mit offenen Sandalen.
- ◆ Tragen Sie zum Schutz Ihrer Beine eine lange Hose.

Gebrauch des Geräts

- ◆ Seien Sie stets aufmerksam. Konzentrieren Sie sich auf Ihre Arbeit. Gehen Sie vernünftig vor.
- ◆ Verwenden Sie das Werkzeug nicht, wenn Sie müde sind.
- ◆ Wenn das Werkzeug anfängt, stark zu vibrieren, schalten

Sie es sofort aus. Lassen Sie rotierende Teile zum Stillstand kommen und überprüfen Sie das Gerät auf Beschädigungen und lockere Teile.

Sicherheit anderer Personen

- ◆ Untersagen Sie Kindern sowie Personen, die sich mit dem Inhalt dieser Anleitung nicht auskennen, die Verwendung dieses Geräts.
- ◆ Halten Sie Kinder, Besucher und Tiere vom Arbeitsbereich fern und sorgen Sie dafür, daß Sie das Gerät nicht berühren.
- ◆ Denken Sie daran, daß der Benutzer für Unfälle und Schäden haftet.

Dieses Gerät darf nicht von Personen (einschließlich Kindern) mit eingeschränkten körperlichen, sensorischen oder geistigen Fähigkeiten verwendet werden. Auch darf es nicht von Personen verwendet werden, die keine Erfahrung mit dem Gerät oder Kenntnis darüber haben, es sei denn, sie stehen beim Gebrauch unter der Aufsicht und Anleitung einer für deren Sicherheit verantwortlichen Person. Kinder müssen beaufsichtigt werden, um sicherzustellen, daß sie nicht mit dem Gerät spielen.

Nach der Verwendung

- ◆ Schalten Sie das Werkzeug aus und vergewissern Sie sich, daß rotierende Teile zum Stillstand gekommen sind, bevor Sie das Werkzeug unbeaufsichtigt zurücklassen und bevor Sie irgendwelche Teile austauschen, reinigen oder überprüfen.
- ◆ Unbenutzte Geräte sind an einem trockenen Ort aufzubewahren. Kinder sollten keinen Zugang zu aufbewahrten Geräten haben.

Überprüfung und Reparaturen

- ◆ Überprüfen Sie das Gerät vor dem Gebrauch auf beschädigte oder defekte Teile. Überprüfen Sie, ob alle beweglichen Teile richtig montiert sind, ob keine Teile gebrochen sind, ob keine Schutzvorrichtungen und Schalter beschädigt sind, und ob irgendwelche andere Schäden den einwandfreien Betrieb des Geräts beeinträchtigen könnten.
- ◆ Benutzen Sie das Werkzeug nicht, wenn irgendein Teil defekt ist. Verwenden Sie das Gerät nicht, wenn der Ein-/Ausschalter nicht funktioniert.
- ◆ Verwenden Sie das Gerät auf keinen Fall, wenn eine Schutzvorrichtung oder Abdeckung beschädigt ist bzw. fehlt.
- ◆ Vergewissern Sie sich, daß das Werkzeug ordnungsgemäß funktioniert.
- ◆ Lassen Sie defekte Teile immer von einer unserer Kundendienstwerkstätten reparieren oder austauschen.
- ◆ Versuchen Sie nie, irgendwelche Teile zu entfernen oder auszutauschen, die nicht in dieser Anleitung beschrieben werden.

Zusätzliche Sicherheitsanweisungen für Akkus und Ladegeräte

Akkus

- ◆ Versuchen Sie auf keinen Fall, einen Akku zu öffnen.
- ◆ Setzen Sie den Akku keiner Nässe aus.
- ◆ Setzen Sie den Akku keiner Hitze aus.
- ◆ Nicht an einem Ort aufbewahren, wo die Temperatur 40 °C überschreiten kann.
- ◆ Nur bei Umgebungstemperaturen zwischen 10 °C und 40 °C aufladen.
- ◆ Laden Sie den Akku nur mit dem im Lieferumfang enthaltenen Ladegerät.
- ◆ Befolgen Sie bei der Entsorgung von Akkus die Anweisungen im Abschnitt "Umweltschutz".
- ◆ Beschädigen und deformieren Sie den Akku nicht - weder durch Einstiche noch durch Schläge - da Sie sich hierdurch verletzen können und ein Brand entstehen kann.
- ◆ Laden Sie keine beschädigten Akkus.

Ladegeräte

Achtung! Ihr Ladegerät wurde für eine bestimmte Spannung konstruiert. Überprüfen Sie immer, ob die Netzspannung mit der Spannung auf der Datenplakette übereinstimmt.

- ◆ Verwenden Sie Ihr Black & Decker Ladegerät nur zum Laden von Akkus des im Lieferumfang enthaltenen Typs. Andere Akkus könnten platzen und Sach- und Personenschäden verursachen.
- ◆ Versuchen Sie nie, nicht aufladbare Akkus zu laden.
- ◆ Falls das Netzkabel beschädigt ist, so ist es vom Hersteller oder einem autorisierten Black & Decker Service Center auszutauschen, um Gefahren vorzubeugen.
- ◆ Setzen Sie das Ladegerät niemals Nässe aus.
- ◆ Öffnen Sie das Ladegerät nicht.
- ◆ Fassen Sie nicht mit den Fingern oder irgendwelchen Gegenständen in das Ladegerät.

Das Ladegerät ist mit folgenden Symbolen versehen:



Ihr Ladegerät ist schutzisoliert, daher ist keine Erdleitung erforderlich. Überprüfen Sie immer, ob die Netzspannung mit der Spannung auf der Datenplakette übereinstimmt. Tauschen Sie das Ladegerät auf keinen Fall gegen einen Netzstecker aus.



Das Ladegerät ist ausschließlich für den Gebrauch in geschlossenen Räumen vorgesehen.



Lesen Sie vor dem Gebrauch sorgfältig die Bedienungsanleitung.



Nur bei Umgebungstemperaturen zwischen 10 °C und 40 °C aufladen.

Zusätzliche Sicherheitsanweisungen für Rasentrimmer

Das Gerät ist mit folgenden Warnsymbolen versehen:



Tragen Sie bei der Verwendung dieses Geräts eine Schutzbrille!



Achtung! Nach dem Ausschalten des Gerätes läuft der Schneidfaden noch einige Sekunden lang nach. Versuchen Sie nie, den Schneidfaden anzuhalten.



Halten Sie Umstehende und Tiere mindestens 6 m vom Arbeitsbereich fern.



Setzen Sie das Gerät keinem Regen oder hoher Feuchtigkeit aus.

- ◆ Machen Sie sich mit den Bedienelementen und dem richtigen Gebrauch des Geräts vertraut.
- ◆ Verwenden Sie das Gerät nur bei Tageslicht oder guter künstlicher Beleuchtung.
- ◆ Tragen Sie zum Schutz Ihrer Füße feste Schuhe oder Stiefel.
- ◆ Tragen Sie zum Schutz Ihrer Beine eine lange Hose.
- ◆ Bevor Sie das Gerät verwenden, vergewissern Sie sich, daß der Arbeitsbereich frei von Stöcken, Steinen, Draht und anderen Hindernissen ist.
- ◆ Verwenden Sie das Gerät nur in aufrechter Position, mit dem Schneidfaden nahe am Boden. Schalten Sie das Gerät niemals ein, wenn es sich in einer anderen Position befindet.
- ◆ Bewegen Sie sich während der Arbeit mit dem Gerät nur langsam. Beachten Sie, daß frisch geschnittener Rasen feucht und rutschig ist.
- ◆ Arbeiten Sie nicht auf steilen Hängen. Schneiden Sie entlang der Böschung, nie von oben nach unten.
- ◆ Überqueren Sie keine Kieselpfade oder -wege, während das Gerät läuft.
- ◆ Berühren Sie nie den Schneidfaden, während das Gerät läuft.
- ◆ Legen Sie das Gerät erst ab, wenn der Schneidfaden vollkommen zum Stillstand gekommen ist.
- ◆ Verwenden Sie ausschließlich Schneidfäden des richtigen Typs. Verwenden Sie nie Schneidfäden aus Metall oder Angelschnur.
- ◆ Achten Sie darauf, daß Sie das Faden-Kapmmesser nicht berühren.
- ◆ Halten Sie stets die Hände und Füße vom Schneidfaden fern, besonders beim Einschalten des Werkzeugs.



Achtung! Wird das Werkzeug ausgeschaltet, so laufen die Schneidelemente nach.

- ◆ Betreiben Sie das Werkzeug niemals mit beschädigten Schutzvorrichtungen bzw. ohne die Schutzvorrichtungen an ihrem Platz.
- ◆ Vergewissern Sie sich stets, daß die Ventilationsschlitze frei von Unrat sind.

Elektrische Sicherheit



Ihr Ladegerät ist doppelt isoliert; eine Erdleitung ist somit nicht erforderlich. Überprüfen Sie, ob die Netzspannung der auf dem Typenschild des Ladegerätes angegebenen Spannung entspricht. Tauschen Sie das Ladegerät auf keinen Fall gegen einen Netzstecker aus.

Merkmale

1. Ein-/Aus-Schalter
2. Einschaltsperr
3. Haupthandgriff
4. Zweithandgriff
5. Befestigungsknopf
6. Handgriff-Einstellung
7. Betriebsart-Einstellung
8. Motorgehäuse
9. Schutzvorrichtung
10. Faden-Kappmesser
11. Kantenführung
12. Spulengehäuse
13. Schneidfaden
14. Akku

Abb. A

15. Ladegerät
16. Ladeanzeige

Montage

Achtung! Nehmen Sie vor der Montage den Akku vom Gerät.

Anbringen und Entfernen des Akkus (Abb. B)

- ◆ Um den Akku (14) anzubringen, richten Sie ihn mit der Aufnahme am Gerät aus. Schieben Sie den Akku in die Aufnahme und drücken ihn, bis er einrastet.
- ◆ Um den Akku zu entfernen, drücken Sie den Löseknopf (17) und ziehen Sie gleichzeitig den Akku aus der Aufnahme heraus.

Montieren der Schutzvorrichtung (Abb. C)

- ◆ Stecken Sie den Stift (18) der Schutzvorrichtung in das Loch (19).

- ◆ Setzen Sie die Zunge (20) in den Schlitz (21) ein, bis sie einrastet.
- ◆ Bringen Sie die Schraube (22) an und ziehen Sie sie an.

Anbringen der Schutzvorrichtung (Abb. D)

Achtung! Betreiben Sie das Gerät niemals mit beschädigten Schutzvorrichtungen oder -schilden und nur, wenn diese Teile an ihrem Platz angebracht sind.

- ◆ Bringen Sie die Schutzvorrichtung (9) gemäß der Abbildung am Gerät an. Richten Sie die Löcher (23) mit den Zapfen (24) am Gerät aus.
- ◆ Drücken Sie die Schutzvorrichtung auf das Gerät, bis sie einrastet (A).
- ◆ Drücken Sie die Schutzvorrichtung nach vorne (B).
- ◆ Ziehen Sie die Schrauben (25) fest an.

Achtung! Verwenden Sie das Gerät nur, wenn die Schutzvorrichtung ordnungsgemäß montiert ist.

Anbringen einer neuen Fadenspule (Abb. E)

Neue Spulen mit Schneidfaden sind bei Ihrem Black & Decker Händler erhältlich (Bestellnummer A6481).

- ◆ Halten Sie die Laschen (26) am Spulendeckel (27) gedrückt und entfernen Sie den Deckel vom Gehäuse (12).
- ◆ Entfernen Sie die leere Spule (28) aus dem Gehäuse.
- ◆ Entfernen Sie Schmutz- und Grasreste aus dem Gehäuse.
- ◆ Nehmen Sie die neue Spule und wickeln Sie zirka 12 cm Schneidfaden von der Spule.
- ◆ Führen Sie den Schneidfaden durch die Öse (29).
- ◆ Drücken Sie die Spule auf die Antriebswelle (30) und drehen Sie die Spule ein wenig hin und her, bis sie gut sitzt. Vergewissern Sie sich, daß der Schneidfaden sich nicht unter der Spule verfängt, und daß 10-12 cm Schneidfaden aus dem Spulengehäuse hervorsteht.
- ◆ Richten Sie die Laschen am Spulendeckel mit den entsprechenden Öffnungen im Gehäuse aus.
- ◆ Drücken Sie den Deckel auf das Gehäuse, bis er einrastet.

Achtung! Falls der hervorstehende Teil des Schneidfadens länger ist als der Abstand von der Spule zum Faden-Kappmesser (10), schneiden Sie den Faden ab, so daß er gerade bis zum Faden-Kappmesser reicht.

Aufwickeln neuen Fadens auf eine leere Spule (Abb. F – H)

Sie können einen neuen Schneidfaden auf eine leere Spule aufwickeln. Ersatzpackungen mit Schneidfaden sind bei Ihrem Black & Decker Händler erhältlich (Bestellnummer A6170 (25 m), A6171 (40 m)).

- ◆ Entfernen Sie die leere Spule gemäß Beschreibung oben.
- ◆ Entfernen Sie etwaige Fadenreste von der Spule (31) (Abb. F).
- ◆ Führen Sie 2 cm Schneidfaden wie abgebildet in eines der

Löcher (32) in der Spule (Abb. G).

- ◆ Knicken Sie den Schneidfaden um und befestigen ihn im L-förmigen Schlitz (33).
- ◆ Wickeln Sie den Schneidfaden in Richtung des Pfeils auf die Spule auf. Achten Sie darauf, daß Sie den Faden sauber und in Schichten aufwickeln. Vermeiden Sie ein kreuzweises Aufwickeln (Abb. H).
- ◆ Wenn der aufgewickelte Faden die Aussparungen (34) erreicht, schneiden Sie ihn ab. Wickeln Sie zirka 12 cm Faden von der Spule ab und halten Sie einen Finger auf den Faden, um ihn in seiner Lage zu halten (Abb. F).
- ◆ Um die Spule am Gerät anzubringen, gehen Sie wie oben beschrieben vor.

Achtung! Verwenden Sie ausschließlich Black & Decker Schneidfaden des richtigen Typs.

Restrisiken.

Für den Gebrauch dieses Geräts verbleiben zusätzliche Restrisiken, die möglicherweise nicht in den Sicherheitswarnungen genannt werden. Diese Risiken bestehen beispielsweise bei Missbrauch oder längerem Gebrauch.

Auch bei der Einhaltung der entsprechenden Sicherheitsvorschriften und der Verwendung aller Sicherheitsgeräte bestehen weiterhin bestimmte Restrisiken. Diese werden im Folgenden aufgeführt:

- ◆ **Verletzungen, die durch das Berühren von sich drehenden/bewegenden Teilen verursacht werden.**
- ◆ **Verletzungen, die durch das Austauschen von Teilen, Messern oder Zubehör verursacht werden.**
- ◆ **Verletzungen, die durch längeren Gebrauch eines Geräts verursacht werden. Legen Sie bei längerem Gebrauch regelmäßige Pausen ein.**
- ◆ **Beeinträchtigung des Gehörs.**
- ◆ **Gesundheitsrisiken durch das Einatmen von Staub beim Gebrauch des Geräts (Beispielsweise bei Holzarbeiten, insbesondere Eiche, Buche und Pressspan).**

Gebrauch

Achtung! Beschleunigen Sie den Arbeitsvorgang nicht mit Gewalt. Vermeiden Sie eine Überlastung des Gerätes.

Laden des Akkus (Abb. A)

Achtung! Laden Sie den Akku nicht bei einer Umgebungstemperatur unter 4 °C oder über 40 °C. Empfohlene Ladetemperatur: zirka 24 °C.

Hinweis: Das Ladegerät lädt den Akku nicht auf, wenn die Zellentemperatur 0 °C unterschreitet bzw. 60 °C überschreitet. Der Akku sollte im Ladegerät gelassen werden; das Ladegerät beginnt automatisch mit dem Ladevorgang, sobald die Zellentemperatur den richtigen Wert erreicht.

- ◆ Stecken Sie das Ladegerät (15) ein und schalten Sie es am Hauptschalter ein.
- ◆ Setzen Sie den Akku (14) in das Ladegerät ein. Vergewissern Sie sich, daß der Akku vollständig in das Ladegerät (15) eingeführt ist.

Die Ladeanzeige (16) blinkt nun kontinuierlich (langsam). Der Ladevorgang ist abgeschlossen, wenn die Ladeanzeige (16) dauerhaft leuchtet. Ladegerät und Akku können bei leuchtender LED beliebig lange angeschlossen bleiben. Die LED beginnt zu blinken (Ladevorgang), da das Ladegerät den Akku gelegentlich nachlädt. Die Ladeanzeige (16) leuchtet, solange der Akku mit dem am Netz angeschlossenen Ladegerät verbunden ist.

- ◆ Laden Sie entladene Akkus innerhalb einer Woche. Die Lebensdauer des Akkus wird beträchtlich herabgesetzt, falls dieser im entladenen Zustand gelagert wird.

Ladeanzeigen

Falls das Ladegerät ein Problem mit dem Akku feststellt, blinkt die Ladeanzeige (16) mit schneller Geschwindigkeit. Gehen Sie folgendermaßen vor:

- ◆ Setzen Sie den Akku (14) erneut ein.
- ◆ Falls die Ladeanzeige weiterhin schnell blinkt, verwenden Sie einen anderen Akku, um festzustellen, ob der Ladevorgang richtig abläuft.
- ◆ Falls der Austauschakku richtig geladen wird, ist der ursprüngliche Akku defekt und muss zwecks Recycling an ein Servicecenter zurückgegeben werden.
- ◆ Falls beim neuen Akku das Gleiche angezeigt wird, wie beim ursprünglichen Akku, bringen Sie das zu überprüfende Ladegerät zu einem autorisierten Servicecenter.

Hinweis: Es kann bis zu 15 Minuten dauern, um festzustellen, ob der Akku beschädigt ist. Ist der Akku zu heiß oder zu kalt, blinkt die LED abwechselnd schnell und langsam, d.h. ein Blitz bei jeder Geschwindigkeit mit anschließender Wiederholung.

Einstellen der Position des Zweithandgriffs (Abb. I)

Der Zweithandgriff (4) läßt sich einstellen, damit Sie in optimaler Haltung arbeiten können.

- ◆ Setzen Sie das Gerät mit der Schutzvorrichtung (9) auf den Boden.
- ◆ Lockern Sie den Befestigungsknopf (5).
- ◆ Bewegen Sie den Handgriff in die gewünschte Stellung.
- ◆ Ziehen Sie den Befestigungsknopf fest an.

Einstellung der Höhe (Abb. J)

Mit der Teleskopwelle (35) können Sie das Gerät auf eine komfortable Höhe einstellen.

- ◆ Lösen Sie den Ring (6).
- ◆ Um die Höhe zu vergrößern, ziehen Sie die Welle heraus.
- ◆ Um die Höhe zu verringern, schieben Sie die Welle herein.
- ◆ Ziehen Sie den Ring an.

Ein- und Ausschalten (Abb. K)

Aus Sicherheitsgründen ist dieses Gerät mit einem Doppelschaltersystem ausgestattet. Dieses System verhindert ein unbeabsichtigtes Einschalten des Gerätes.

Einschalten

- ◆ Drücken Sie die Einschaltsperrleiste (2) mit dem Daumen nach hinten und drücken Sie gleichzeitig auf den Ein-/Ausschalter (1).
- ◆ Lassen Sie die Einschaltsperrleiste los.

Ausschalten

- ◆ Lassen Sie den Ein-/Ausschalter (1) los.

Achtung! Versuchen Sie nie, einen Schalter in eingeschaltetem Zustand zu blockieren.

Einstellen des Werkzeugs auf Trimmen oder Kantenschneiden (Abb. L - N)

Dieses Gerät kann sowohl zum Trimmen wie in Abb. L als auch zum Kantenschneiden (Beschneiden von überhängendem Gras entlang von Rasenkanten und Blumenbeeten) wie in Abb. M verwendet werden.

Trimmen (Abb. L & N)

Zum Trimmen sollte sich der Kopf des Werkzeugs in der in Abb. L gezeigten Position befinden. Falls nicht:

- ◆ Während Sie das Gerät mit einer Hand am Zweithandgriff halten, halten Sie den Ring (7) mit der anderen (Abb. L).
- ◆ Drücken Sie den Ring in Richtung Gerätekopf und drehen Sie den Ring gegen den Uhrzeigersinn, bis der Gerätekopf in der Trimm-Position einrastet (Abb. N).
- ◆ Lassen Sie den Ring los.
- ◆ Fahren Sie die Kantenführungsschiene (11) ein.

Kanten schneiden (Abb. M & N)

Zum Kantenschneiden sollte sich der Kopf des Geräts in der in Abb. M gezeigten Position befinden. Falls nicht:

- ◆ Während Sie das Gerät mit einer Hand am Zweithandgriff halten, halten Sie den Kragen (7) mit der anderen (Abb. M).
- ◆ Drücken Sie den Ring in Richtung Gerätekopf und drehen Sie den Ring im Uhrzeigersinn, bis der Gerätekopf in der Kantenschneid-Position einrastet (Abb. N).
- ◆ Lassen Sie den Ring los.
- ◆ Fahren Sie die Kantenführungsschiene (11) ein.

Hinweise für optimale Arbeitsergebnisse (Abb. L)

Trimmen

- ◆ Halten Sie das Werkzeug gemäß Abb. L.
- ◆ Schwenken Sie den Rasentrimmer leicht hin und her, wie in Abb. L dargestellt.
- ◆ Bei langem Gras arbeiten Sie stufenweise in kleinen Schritten von oben nach unten.

- ◆ Halten Sie das Gerät von harten Gegenständen und empfindlichen Pflanzen fern.
- ◆ Falls das Gerät beginnt, langsam zu laufen, verringern Sie die Belastung.

Kantenschneiden

Optimale Schnittergebnisse erhalten Sie bei Kanten mit einer Tiefe von mindestens 50 mm.

- ◆ Verwenden Sie das Gerät nicht zum Bilden neuer Kanten. Verwenden Sie zum Bilden von Kanten einen Kantenspaten.
- ◆ Führen Sie das Gerät, wie in Abb. L dargestellt. Halten Sie die Kantenführungsschiene dicht an die Rasenkante.
- ◆ Um einen kürzeren Schnitt zu erzielen, neigen Sie das Gerät ein wenig.

Allgemein

- ◆ Um optimale Ergebnisse zu erzielen, schneiden Sie nur trockenes Gras.
- ◆ Wenn das Gerät nicht verwendet wird, lassen Sie den Akku möglichst immer am Ladegerät und das Ladegerät an der Stromversorgung angeschlossen.

Wartung

Ihr Black & Decker Gerät wurde im Hinblick auf eine lange Lebensdauer und einen möglichst geringen Wartungsaufwand entwickelt. Ein dauerhafter, einwandfreier Betrieb setzt eine regelmäßige Pflege und Reinigung voraus.

Ihr Ladegerät bedarf keinerlei Wartung außer einer regelmäßigen Reinigung.

Achtung! Bevor Sie irgendwelche Wartungsarbeiten vornehmen, entfernen Sie den Akku vom Gerät. Ziehen Sie den Netzstecker des Ladegeräts aus der Steckdose, bevor Sie es reinigen.

- ◆ Trennen Sie den Akku nach dem Gebrauch und prüfen Sie das Gerät auf Beschädigungen.
- ◆ Reinigen Sie regelmäßig die Lüftungsschlitze im Gerät und Ladegerät mit Hilfe einer weichen Bürste oder eines trockenen Tuches.
- ◆ Reinigen Sie regelmäßig das Motorgehäuse mit Hilfe eines feuchten Tuches. Verwenden Sie keine scheuernden Reinigungsmittel oder Reinigungsmittel auf Lösungsmittelbasis.
- ◆ Reinigen Sie regelmäßig den Schneidfaden und die Fadenspule mit einer weichen Bürste oder einem trockenen Tuch.
- ◆ Verwenden Sie regelmäßig einen stumpfen Schaber, um Gras und Schmutzreste von der Unterseite der Schutzvorrichtung zu entfernen.

Aufbewahrung

Auch wenn das Gerät mehrere Monate lang nicht verwendet wird, lassen Sie es am besten am Ladegerät angeschlossen. Falls dies nicht möglich ist, gehen Sie folgendermaßen vor:

- ◆ Laden Sie den Akku vollständig.
- ◆ Entfernen Sie den Akku vom Gerät.
- ◆ Bewahren Sie das Gerät und den Akku an einem sicheren und trockenen Ort auf. Die Temperatur am Aufbewahrungsort muß immer im Bereich zwischen +5 °C und +40 °C liegen. Stellen Sie den Akku auf einer ebenen Oberfläche auf.
- ◆ Bevor Sie das Gerät nach längerer Aufbewahrung wieder verwenden, laden Sie den Akku wieder vollständig auf.

Störungsbehebung

Falls Ihr Gerät nicht ordnungsgemäß funktioniert, befolgen Sie folgende Hinweise. Falls die Störung damit nicht behoben wird, wenden Sie sich bitte an den Black & Decker Kundendienst.

Achtung! Nehmen Sie den Akku vom Gerät, bevor Sie die folgenden Schritte ausführen.

Das Gerät läuft nur langsam.

- ◆ Überprüfen Sie, ob sich das Spulengehäuse frei drehen kann. Reinigen Sie es gegebenenfalls sorgfältig.
- ◆ Überprüfen Sie, ob die Länge des aus dem Spulengehäuse hervorstehenden Schneidfadens größer als 10-12 cm ist. Falls doch, dann schneiden Sie den Faden ab, so daß er gerade das Faden-Kappmesser erreicht.

Die automatische Fadenzufuhr funktioniert nicht.

- ◆ Halten Sie die Zungen gedrückt und nehmen Sie den Spulendeckel vom Gehäuse.
- ◆ Heben Sie die Spule zirka 6 mm an und ziehen Sie den Schneidfaden hinaus, bis er 10-12 cm aus dem Spulengehäuse hervorsteht. Falls der Schneidfaden auf der Spule nicht mehr ausreicht, setzen Sie wie oben beschrieben eine neue Fadenspule ein.
- ◆ Drücken Sie die Spule wieder an ihre Stelle und drehen Sie sie ein wenig hin und her, bis sie gut sitzt.
- ◆ Richten Sie die Laschen am Spulendeckel mit den entsprechenden Öffnungen im Gehäuse aus.
- ◆ Drücken Sie den Deckel auf das Gehäuse, bis er sicher einrastet.
- ◆ Falls der Schneidfaden über das Faden-Kappmesser hinaus hervorsteht, schneiden Sie den Faden ab, so daß er gerade bis zum Faden-Kappmesser reicht.

Falls die automatische Fadenzufuhr noch immer nicht funktioniert, versuchen Sie folgendes:

- ◆ Reinigen Sie sorgfältig das Spulengehäuse.
- ◆ Entfernen Sie die Spule und überprüfen Sie, ob sich der Hebel frei bewegen kann.

- ◆ Entfernen Sie die Spule, und wickeln Sie den Faden ab. Wickeln Sie den Faden dann wie oben beschrieben wieder sauber auf. Bringen Sie die Spule wieder wie beschrieben an.

Die Spule klemmt

- ◆ Halten Sie die Zungen gedrückt und nehmen Sie den Spulendeckel vom Gehäuse.
- ◆ Reinigen Sie sorgfältig das Spulengehäuse.
- ◆ Drücken Sie den Deckel auf das Gehäuse, bis er sicher einrastet.

Umweltschutz



Getrennte Entsorgung. Dieses Produkt darf nicht über den normalen Hausmüll entsorgt werden.

Sollte Ihr Black & Decker Produkt eines Tages erneuert werden müssen, oder falls Sie es nicht weiter verwenden wollen, so darf es nicht über den Hausmüll entsorgt werden. Stellen Sie dieses Produkt zur getrennten Entsorgung bereit.



Durch die getrennte Entsorgung gebrauchter Produkte und Verpackungen können die Materialien recycelt und wiederverwertet werden. Die Wiederverwertung recycelter Materialien schont die Umwelt und verringert die Nachfrage nach Rohstoffen.

Die regionalen Bestimmungen schreiben unter Umständen die getrennte Entsorgung elektrischer Produkte aus dem Haushalt an Sammelstellen oder seitens des Händlers vor, bei dem Sie das neue Produkt erworben haben.

Black & Decker nimmt Ihre ausgedienten Black & Decker Geräte gern zurück und sorgt für eine umweltfreundliche Entsorgung und Wiederverwertung. Um diesen Dienst zu nutzen, schicken Sie bitte Ihr Produkt zu einer Vertragswerkstatt. Hier wird es dann auf unsere Kosten gesammelt.

Die Adresse der zuständigen Black & Decker Vertretung steht in diesem Handbuch, darüber läßt sich die nächstgelegene Vertragswerkstatt ermitteln. Außerdem ist eine Liste der Vertragswerkstätten und aller Kundendienststellen von Black & Decker sowie der zuständigen Ansprechpartner im Internet zu finden unter: www.2helpU.com

Akkus

Black & Decker Akkus lassen sich viele Male wiederaufladen. Entsorgen Sie eine leere Batterie am Ende ihrer Lebensdauer auf umweltgerechte Weise:

- ◆ Entladen Sie die Batterie vollständig, und entfernen Sie sie anschließend aus dem Werkzeug.
- ◆ NiCd-, NiMH- und Li-Ion-Akkus sind wiederverwertbar. Bringen Sie sie zu einer Vertragswerkstatt oder einer Recycling-Station in Ihrer Nähe.

Technische Daten

		GLC2500L (H2)
Spannung	V_{DC}	18
Leerlaufdrehzahl	min^{-1}	6.800
Gewicht	kg	3,2

		A1518L
Spannung	V_{DC}	18
Kapazität	Ah	1,5
Gewicht	kg	0,8

		9053954*
Spannung	V_{AC}	230
Ausgangsspannung	V_{DC}	21
Amperezahl	A	1.9
Ladezeit (zirka)	h	1
Gewicht	kg	0,5

Gesamtvibrationswerte (Triax-Vektorsumme) gemäß EN 786:
Vibrationswert (a_{h}) 4 m/s^2 , Unsicherheitsfaktor (K) 1,5 m/s^2

EG-Konformitätserklärung

MASCHINENRICHTLINIE
AUSSENLÄRM-RICHTLINIE



GLC2500L

Black & Decker erklärt, daß diese unter „Technische Daten“ beschriebenen Produkte folgende Richtlinien erfüllen:
2006/42/EC, EN 60335-1, EN 60335-2-91

2000/14/EG, Rasenmäher, $L \leq 50$ cm, Anhang VIII
KEMA Quality B.V., Utrechtseweg 310, 6802 ED Arnhem,
Niederlande
Notified Body ID No.: 0344

Rasentrimmer 2000/14/EG (Artikel 12,
Anhang III, $L \leq 50$ cm):
 L_{WA} (gemessene Schalleistung) 95 dB(A)
Unsicherheitsfaktor (K) = 3 dB(A)
 L_{WA} (garantierte Schalleistung) 96 dB(A)
Unsicherheitsfaktor (K) = 3 dB(A)

Diese Produkte entsprechen auch Richtlinie 2004/108/EG.
Wenden Sie sich für weitere Informationen bitte an folgende
Black & Decker Anschrift bzw. an die hinten im Handbuch
angegebene Anschrift.

Der Unterzeichnete ist für die Zusammenstellung der
technischen Datei verantwortlich und gibt diese Erklärung im
Namen von Black & Decker ab.

Kevin Hewitt
Vizepräsident Global Engineering
Black & Decker Europe, 210 Bath Road, Slough,
Berkshire, SL1 3YD
United Kingdom
21/01/2010

Garantie

Black & Decker vertraut auf die Qualität der eigenen Geräte und bietet dem Käufer eine außergewöhnliche Garantie.

Diese Garantiezusage versteht sich unbeschadet der gesetzlichen Gewährleistungsansprüche und schränkt diese keinesfalls ein. Sie gilt in sämtlichen Mitgliedsstaaten der Europäischen Union und der Europäischen Freihandelszone EFTA.

Tritt innerhalb von 24 Monaten ab Kaufdatum an einem Gerät von Black & Decker ein auf Material- oder Verarbeitungsfehler zurückzuführender Mangel auf, garantiert Black & Decker den Austausch defekter Teile, die Reparatur von Geräten mit üblichem Verschleiß bzw. den Austausch eines mangelhaften Geräts, ohne den Kunden dabei mehr als unbedingt nötig in Anspruch zu nehmen, allerdings vorbehaltlich folgender Ausnahmen:

- ◆ wenn das Gerät gewerblich, beruflich oder im Verleihgeschäft benutzt wurde;
- ◆ wenn das Gerät mißbräuchlich verwendet oder mit mangelnder Sorgfalt behandelt wurde;
- ◆ wenn das Gerät durch irgendwelche Fremdeinwirkung beschädigt wurde;
- ◆ wenn ein unbefugter Reparaturversuch durch anderes Personal als das einer Vertragswerkstatt oder des Black & Decker-Kundendienstes unternommen wurde.

Zur Inanspruchnahme dieser Garantie ist dem Verkäufer bzw. der Vertragswerkstatt ein Kaufnachweis vorzulegen. Der Kaufnachweis muß Kaufdatum und Gerätetyp bescheinigen. Die Adresse des zuständigen Büros von Black & Decker steht in dieser Anleitung, darüber läßt sich die nächstgelegene Vertragswerkstatt ermitteln. Außerdem ist eine Liste der Vertragswerkstätten und aller Kundendienststellen von Black & Decker sowie der zuständigen Ansprechpartner im Internet zu finden unter: www.2helpU.com

Bitte besuchen Sie unsere Webseite www.blackanddecker.de, um Ihr neues Black & Decker Produkt zu registrieren und über neue Produkte und Sonderangebote aktuell informiert zu werden. Weitere Informationen über die Marke Black & Decker und unsere Produkte finden Sie unter www.blackanddecker.de

Utilisation prévue

Votre coupe bordures Black & Decker a été conçu pour tailler et arranger les bordures de pelouse et pour couper l'herbe dans des espaces réduits. Cet outil a été conçu pour une utilisation exclusivement domestique.

Votre chargeur Black & Decker a été conçu pour le chargement de batteries Black & Decker identiques à celles fournies avec cet outil.

Instructions de sécurité

Général



Attention ! Lors de l'utilisation d'outils sans fil, observez les consignes de sécurité fondamentales, y compris celles qui suivent afin de réduire les risques d'incendie, de fuite de piles, de blessures et de dommage matériel.

- ◆ Lisez et observez attentivement les instructions avant d'utiliser l'outil.
- ◆ Avant d'utiliser l'outil, assurez-vous de savoir comment mettre votre outil à l'arrêt en cas d'urgence.
- ◆ Le domaine d'utilisation de l'appareil est décrit dans le présent manuel. L'utilisation d'accessoires ou la réalisation d'opérations autres que ceux recommandés dans le présent manuel peut entraîner un risque de blessure.
- ◆ Conservez ce manuel à titre de référence.

Aire de travail

- ◆ N'exposez pas l'outil à la pluie.
- ◆ N'exposez pas l'outil à l'humidité.
- ◆ N'utilisez l'outil qu'à la lumière du jour ou sous un éclairage artificiel efficace.

Protection individuelle

- ◆ Portez des chaussures ou des bottes renforcées pour protéger vos pieds.
- ◆ N'utilisez pas l'outil pied nus ou en ne portant que des sandales.
- ◆ Portez un pantalon pour protéger vos jambes.

Utilisation de l'outil

- ◆ Faites preuve de vigilance. Observez votre travail. Faites preuve de bon sens.
- ◆ N'utilisez pas l'outil en cas de fatigue.
- ◆ Si l'outil commence à vibrer anormalement, éteignez-le. Attendez que les parties rotatives s'arrêtent et regardez si l'outil est endommagé ou si des pièces sont mal serrées.

Sécurité des tierces personnes

- ◆ Ne laissez jamais aucun enfant ou aucune personne non familiarisée avec ces instructions utiliser cet appareil.

- ◆ Ne laissez pas les enfants, les visiteurs ou les animaux s'approcher de l'aire de travail ou toucher l'outil.
- ◆ Souvenez-vous que l'utilisateur peut être tenu responsable de tout accident ou dommage subi par des tiers ou par des biens appartenant à des tiers.

Cet appareil n'est pas destiné à être utilisé par des personnes (notamment des enfants) présentant des capacités physiques, sensorielles ou mentales limitées voire dépourvues de connaissance et d'expérience, sauf si elles sont supervisées ou ont reçu des instructions pour l'usage de l'appareil par une personne responsable de leur sécurité. Les enfants ne doivent pas jouer avec l'appareil.

Après emploi

- ◆ Éteignez l'outil et assurez-vous que les pièces rotatives ont cessé de tourner avant d'abandonner l'outil, ou avant de changer, de nettoyer ou d'inspecter une partie de l'outil.
- ◆ Rangez l'outil dans un endroit sec. Ne laissez pas les enfants s'approcher des outils, même quand ils sont rangés.

Vérifications et réparations

- ◆ Avant d'utiliser l'outil, vérifiez qu'il n'est pas endommagé et qu'il n'y a pas de pièces défectueuses. Vérifiez l'alignement des pièces en mouvement, leur prise et toute rupture de pièces, tout dommage des protections et des interrupteurs et toute autre condition pouvant affecter le fonctionnement de l'outil.
- ◆ N'utilisez pas l'outil si une pièce est défectueuse. N'utilisez pas l'outil si l'interrupteur marche/arrêt ne fonctionne pas.
- ◆ N'utilisez jamais l'outil si un carter ou un couvercle est endommagé ou n'est pas en place.
- ◆ Veillez à ce que l'outil fonctionne correctement et qu'il exécute les tâches pour lesquelles il est prévu.
- ◆ Faites réparer ou remplacer toute pièce endommagée par un réparateur agréé.
- ◆ N'essayez jamais d'enlever ou de changer des pièces autres que celles spécifiées dans ce manuel.

Instructions de sécurité supplémentaires pour les batteries et chargeurs

Batteries

- ◆ Ne tentez jamais d'ouvrir pour quelque raison que ce soit.
- ◆ N'exposez pas la batterie à l'humidité.
- ◆ N'exposez pas la batterie à la chaleur.
- ◆ Ne stockez pas dans des endroits où la température peut dépasser 40 °C.
- ◆ Chargez uniquement à température ambiante, entre 10 °C et 40 °C.
- ◆ Chargez uniquement en utilisant le chargeur fourni avec l'outil.
- ◆ Lorsque vous jetez des batteries, suivez les instructions données à la section « Protection de l'environnement ».

- ◆ N'endommagez et ne déformez pas la batterie (piqûre ou impact). Vous pourriez créer un risque de blessure ou d'incendie.
- ◆ Ne chargez pas les batteries endommagées.

Chargeurs

Attention ! Votre chargeur a été conçu pour une tension spécifique. Vérifiez toujours que la tension du secteur correspond à la tension indiquée sur la plaque d'identification.

- ◆ Utilisez uniquement votre chargeur Black & Decker pour charger les batteries fournies avec votre outil ou de même type et modèle. D'autres batteries pourraient exploser et causer des dommages ou blessures.
- ◆ Ne tentez jamais de charger des batteries non rechargeables.
- ◆ Si le câble d'alimentation est endommagé, il doit être remplacé par le fabricant ou par un centre de réparation agréé Black & Decker afin d'éviter tout accident.
- ◆ Ne mettez pas le chargeur en contact avec de l'eau.
- ◆ N'ouvrez pas le chargeur.
- ◆ Ne testez pas le chargeur.

Les symboles suivants se trouvent sur votre chargeur :



Votre chargeur est doublement isolé ; par conséquent, aucun câble de masse n'est nécessaire. Vérifiez toujours que la tension du secteur correspond à la tension indiquée sur la plaque d'identification. Ne tentez jamais de remplacer le chargeur par une prise au secteur normale.



Le chargeur a été conçu pour être utilisé uniquement à l'intérieur.



Lisez le manuel d'instruction avant utilisation.



Chargez uniquement à température ambiante, entre 10 °C et 40 °C.

Instructions de sécurité supplémentaires pour les coupe bordures

Les symboles de prévention suivants se trouvent sur l'outil :



Portez des lunettes de sécurité lorsque vous utilisez cet outil.



Attention ! Le fil de coupe continuera de fonctionner pendant quelques secondes après l'arrêt de l'outil. Ne tentez jamais de forcer sur le fil pour qu'il s'arrête.



Les personnes et les animaux doivent se tenir à une distance d'au moins 6 m de la zone de coupe.



N'exposez pas l'outil à la pluie ou à l'humidité.

- ◆ Familiarisez-vous avec les commandes et l'utilisation de cet outil.
- ◆ N'utilisez l'outil qu'à la lumière du jour ou sous un éclairage artificiel efficace.
- ◆ Portez des chaussures ou des bottes renforcées pour protéger vos pieds.
- ◆ Portez un pantalon pour protéger vos jambes.
- ◆ Avant d'utiliser l'outil, vérifiez qu'aucun bâton, fil de fer, pierre ou tout autre obstacle n'obstrue la zone de coupe.
- ◆ Utilisez seulement l'outil en position droite, en tenant le fil de coupe près du sol. N'allumez jamais l'outil dans une autre position.
- ◆ Déplacez-vous lentement lorsque vous utilisez l'outil. Faites attention car l'herbe fraîchement coupée est humide et glissante.
- ◆ Ne travaillez pas sur un sol très pentu. Travaillez de façon perpendiculaire aux pentes et non en montant ou en descendant.
- ◆ Ne traversez jamais de chemins ou de routes en gravier lorsque l'outil fonctionne.
- ◆ Ne touchez jamais le fil de coupe lorsque l'outil fonctionne.
- ◆ Ne posez pas l'outil avant que le fil de coupe ne soit complètement arrêté.
- ◆ Utilisez uniquement le bon type de fil de coupe. N'utilisez jamais de fil de coupe métallique ni de fil de pêche.
- ◆ Veillez à ne pas toucher la lame coupe-fil.
- ◆ Tenez vos mains et vos pieds à distance du fil de coupe à tout moment, et plus particulièrement lorsque vous faites démarrer l'outil.



Attention ! Les éléments de coupe continuent de tourner une fois l'outil arrêté.

- ◆ N'utilisez jamais l'outil avec des protections endommagées ou manquantes.
- ◆ Vérifiez toujours que les orifices de ventilation sont bien débarrassés de tous débris.

Sécurité électrique



Ce chargeur a une double isolation; un branchement à la terre n'est donc pas nécessaire. Vérifiez si la tension du chargeur correspond à la tension secteur. Ne tentez jamais de remplacer le chargeur par une prise au secteur normale.

Caractéristiques

1. Interrupteur marche/arrêt
2. Bouton de blocage

3. Poignée principale
4. Poignée secondaire
5. Vis de réglage de la poignée
6. Collier de réglage de la poignée.
7. Collier de sélection de mode.
8. Carcasse du moteur
9. Carter de protection
10. Lame coupe-fil
11. Guide-bordures
12. Logement de bobine
13. Fil de coupe
14. Batterie

Fig. A

15. Chargeur
16. Voyant de charge

Assemblage

Attention ! Avant l'assemblage, enlevez la batterie.

Mise en place et retrait de la batterie (fig. B)

- ◆ Pour mettre la batterie en place (14), alignez-la avec le boîtier sur l'outil. Faites glisser la batterie dans le boîtier et poussez jusqu'à ce qu'elle se mette en place avec un bruit sec.
- ◆ Pour retirer la batterie, appuyez sur le bouton de déverrouillage (17) tout en retirant la batterie du boîtier.

Montage du carter de protection (fig. C)

- ◆ Placez la goupille (18) du carter dans l'orifice (19).
- ◆ Insérez la languette (20) dans la fente (21) jusqu'à ce qu'elle s'enclenche.
- ◆ Insérez la vis (22) et serrez-la.

Mise en place du carter de protection (fig. D)

Attention ! Ne faites jamais fonctionner l'outil s'il contient des carters ou des protections endommagés ou si les carters ou les protections ne sont pas en place.

- ◆ Placez le carter protecteur (9) sur l'outil comme indiqué, en alignant les trous (23) dans le carter avec les oeilletons (24) sur l'outil.
- ◆ Appuyez sur le carter jusqu'à ce qu'il se mette en place avec un bruit sec (A).
- ◆ Poussez le carter protecteur vers l'avant (B).
- ◆ Serrez bien les vis (25).

Attention ! N'utilisez jamais l'outil si le carter protecteur n'est pas correctement installé.

Mise en place d'une nouvelle bobine de fil de coupe (fig. E)

Des bobines de fil de coupe de rechange sont disponibles chez votre revendeur Black & Decker (cat. no. A6481).

- ◆ Maintenez les languettes (26) du couvercle de la bobine (27) enfoncées et retirez le couvercle de la bobine de la protection (12).
- ◆ Retirez la bobine vide (28) du support.
- ◆ Enlevez toute trace de saleté ou d'herbe dans le support.
- ◆ Prenez la nouvelle bobine et déroulez env. 12 cm de fil de coupe.
- ◆ Faites entrer le fil de coupe dans l'œillet (29).
- ◆ Poussez la bobine sur l'axe (30) et faites-la tourner légèrement jusqu'à ce qu'elle soit bien installée. Assurez-vous que le fil de coupe n'est pas coincé sous la bobine et que 10-12 cm de fil de coupe dépassent de la protection.
- ◆ Alignez les languettes sur le couvercle de la bobine avec les trous dans la protection.
- ◆ Enfoncez le couvercle sur le support jusqu'à ce qu'il se mette en place avec un clic sec.

Attention ! Si le fil de coupe dépasse de la lame de coupe (10), coupez-le afin qu'il atteigne juste la lame.

Enroulage d'un nouveau fil sur une bobine vide (fig. F – M)

Vous pouvez enrouler un nouveau fil de coupe sur une bobine vide. Des paquets de fil de coupe de rechange sont disponibles auprès de votre distributeur Black & Decker (cat. no. A6170 (25 m), A6171 (40 m)).

- ◆ Retirez la bobine vide de l'outil comme expliqué ci-dessus.
- ◆ Retirez tout fil de coupe ancien de la bobine (31) (fig. F).
- ◆ Insérez 2 cm de fil de coupe dans l'un des orifices (32) de la bobine comme indiqué. (fig G).
- ◆ Pliez le fil de coupe et coincez-le dans la fente en forme de L (33).
- ◆ Enroulez le fil de coupe sur la bobine dans le sens de la flèche. Veillez à enrouler le fil proprement et en couches successives. Ne l'entrecroisez pas (fig. H)
- ◆ Lorsque le fil de coupe enroulé est encastré (34), coupez-le. Laissez le fil sortir d'env. 12 cm de la bobine et mettez un doigt dessus pour le maintenir en place (fig. F).
- ◆ Procédez comme expliqué ci-dessus pour installer la bobine dans l'outil.

Attention ! Utilisez uniquement le bon type de fil de coupe de Black & Decker.

Risques résiduels.

L'utilisation d'un outil non mentionné dans les consignes de sécurité données peut entraîner des risques résiduels supplémentaires. Ces risques peuvent survenir si l'outil est mal utilisé, si l'utilisation est prolongée, etc.

Malgré l'application des normes de sécurité correspondantes et la présence de dispositifs de sécurité, les risques résiduels suivants ne peuvent être évités. Ceci comprend :

- ◆ **Les blessures dues au contact avec une pièce mobile/ en rotation.**
- ◆ **Les blessures causées en changeant des pièces,**

lames ou accessoires.

- ◆ **Les blessures dues à l'utilisation prolongée d'un outil. Une utilisation prolongée de l'outil nécessite des pauses régulières.**
- ◆ **Déficiance auditive.**
- ◆ **Risques pour la santé causés par l'inhalation de poussières produites pendant l'utilisation de l'outil (exemple : travail avec du bois, surtout le chêne, le hêtre et les panneaux en MDF).**

Utilisation

Attention ! Laissez l'outil fonctionner à sa propre vitesse. Ne le surchargez pas.

Chargement de la batterie (fig. A)

Attention ! Ne chargez pas la batterie à une température ambiante inférieure à 4 °C ou supérieure à 40 °C.

Température de chargement recommandée : environ 24 °C.

Remarque : Le chargeur ne charge pas la batterie si la température de la cellule est inférieure ou proche de 0 °C voire supérieure à 60 °C. La batterie doit être laissée sur le chargeur. Celui-ci commence à la charger automatiquement dès que la température de la cellule augmente (ou décroît).

- ◆ Branchez le chargeur (15) et mettez sous tension.
- ◆ Insérez la batterie (14) dans le chargeur. Assurez-vous que la batterie est complètement enclenchée dans le chargeur (15).

Le voyant de charge (16) commence à clignoter continûment (lentement). Le voyant de charge (16) s'allume continûment lorsque la batterie est chargée. Le chargeur et la batterie peuvent rester branchés indéfiniment avec le voyant allumé. Le voyant commence à clignoter (état de charge) lorsque le chargeur complète (occasionnellement) la charge de la batterie. Le voyant de charge (16) reste allumé tant que la batterie est insérée dans le chargeur branché.

- ◆ Chargez les batteries déchargées dans la semaine. La durée de vie des batteries diminue significativement si elles sont stockées déchargées.

Voyants de charge

Si le chargeur détecte un problème avec la batterie, le voyant de charge (16) clignote rapidement. Procédez comme suit :

- ◆ Remettez la batterie (14).
- ◆ Si les voyants de charge continuent de clignoter rapidement, utilisez une batterie différente afin de déterminer si le processus de charge est correct.
- ◆ Si la batterie de remplacement se charge correctement, la batterie d'origine est défectueuse et doit être retournée à un centre d'entretien pour être recyclée.
- ◆ Si la nouvelle batterie fournit la même indication que celle d'origine, faites tester le chargeur par un centre d'entretien agréé.

Remarque : 15 minutes peuvent être nécessaires pour vérifier si la batterie est défectueuse. Si la batterie est trop chaude/froide, le voyant fait alterner les clignotements rapides et lents - un clignotement pour chaque vitesse - de manière répétée.

Réglage de la position de la poignée secondaire (fig. I).

La poignée secondaire (4) peut être réglée afin d'apporter un confort et un équilibre optimal.

- ◆ Laissez reposer le carter protecteur (9) au sol.
- ◆ Déserrez le bouton de la poignée (5).
- ◆ Faites tourner la poignée dans la position souhaitée.
- ◆ Serrez bien le bouton de la poignée.

Réglage en hauteur (fig. J)

L'axe télescopique (35) vous permet de régler l'outil à la hauteur la plus confortable.

- ◆ Dévissez le collier (6).
- ◆ Pour augmenter la hauteur faites-le glisser hors de l'axe.
- ◆ Pour réduire la hauteur faites-le rentrer dans l'axe.
- ◆ Serrez le collier.

Démarrage et arrêt (fig. K)

Pour des raisons de sécurité, cet outil est équipé d'un système d'interrupteur double. Ce système empêche un démarrage involontaire de l'outil.

Démarrage

- ◆ Tirez sur le bouton de blocage (2) avec le pouce et appuyez en même temps sur l'interrupteur de mise en marche (1).
- ◆ Relâchez le bouton de blocage.

Arrêt

- ◆ Relâchez l'interrupteur de mise en marche (1).

Attention ! N'essayez jamais de bloquer l'interrupteur en position de marche.

Réglage de l'outil en mode de taille ou de coupe (fig. L - N)

L'outil peut être utilisé en mode de taille comme indiqué à la fig. L ou en en mode coupe pour tailler de l'herbe en surplomb dans les bordures de pelouse et les parterres de fleurs comme indiqué à la fig. M

Mode de taille (fig. L & N)

Pour tailler, la tête du coupe bordures devra être dans la position indiquée à la fig. L. Si ce n'est pas le cas :

- ◆ Tout en tenant la poignée secondaire d'une main, prenez la bague (7) dans l'autre comme indiqué (fig. L).
- ◆ Poussez la bague en direction de la tête du coupe bordures et faites-la tourner dans le sens anti-horaire pour que la tête se trouve en position de taille (fig. N).
- ◆ Relâchez la bague.

- ◆ Mettez le sabot de guidage (11) vers l'arrière.

Mode de coupe (fig. M & N)

Pour couper, la tête du coupe bordures doit être dans la position indiquée à la fig. M. Si ce n'est pas le cas :

- ◆ Tout en tenant la poignée secondaire d'une main, prenez la bague (7) dans l'autre comme indiqué (fig. M).
- ◆ Poussez la bague en direction de la tête du coupe bordures et faites-la tourner dans le sens horaire pour que la tête se trouve en position de coupe (fig. N).
- ◆ Relâchez la bague.
- ◆ Mettez le sabot de guidage (11) vers l'arrière.

Conseils pour une utilisation optimale (fig. L)

Taille

- ◆ Tenez l'outil comme indiqué à la fig. L.
- ◆ Déplacez lentement le coupe bordures d'un côté à l'autre comme indiqué sur la fig. L.
- ◆ Lorsque vous coupez des herbes hautes, travaillez par étapes en commençant par le haut.
- ◆ Veillez à ne pas approcher l'outil des objets durs et des plantes délicates.
- ◆ Si l'outil commence à fonctionner lentement, réduisez la charge.

Coupe

Pour des résultats de coupe optimaux, les bordures doivent être supérieures à 50 mm.

- ◆ N'utilisez pas l'outil pour créer des bordures. Pour cette opération, utilisez des cisailles à gazon.
- ◆ Guidez l'outil comme indiqué à la fig. L. Maintenez le sabot de guidage contre le bord de la pelouse.
- ◆ Pour une coupe plus nette, inclinez légèrement l'outil.

Général

- ◆ Pour des résultats de coupe optimaux, ne coupez que de l'herbe sèche.
- ◆ Si possible, conservez la batterie connectée au chargeur et le chargeur branché à chaque fois que l'outil ne fonctionne pas.

Entretien

Votre outil Black & Decker a été conçu pour fonctionner pendant longtemps avec un minimum d'entretien.

Un fonctionnement continu satisfaisant dépend d'un nettoyage régulier et d'un entretien approprié de l'outil.

Votre chargeur ne nécessite aucun entretien autre qu'un nettoyage régulier.

Attention ! Avant de procéder à tout entretien de l'outil, retirez la batterie. Débranchez le chargeur avant de le nettoyer.

- ◆ Après avoir utilisé l'outil, débranchez la batterie et vérifiez soigneusement qu'il n'est pas endommagé.
- ◆ Nettoyez régulièrement les orifices de ventilation de votre outil et le chargeur à l'aide d'une brosse douce ou d'un chiffon sec.
- ◆ Nettoyez régulièrement le compartiment du moteur à l'aide d'un chiffon humide. N'utilisez pas de produit abrasif ou à base de solvant.
- ◆ Nettoyez régulièrement le fil de coupe et la bobine à l'aide d'une brosse douce ou d'un chiffon sec.
- ◆ Utilisez régulièrement un grattoir pour enlever toutes les saletés et l'herbe accumulées sous le carter protecteur.

Stockage

Si l'outil ne doit pas être utilisé pendant plusieurs mois, l'idéal serait de laisser la batterie connectée au chargeur.

Sinon, procédez comme suit :

- ◆ Chargez complètement la batterie.
- ◆ Retirez la batterie de l'outil.
- ◆ Conservez l'outil et la batterie dans un endroit sûr et sec. La température de stockage doit toujours être entre +5 °C et +40 °C. Placez la batterie sur une surface nivelée.
- ◆ Avant d'utiliser l'outil après une inutilisation prolongée, rechargez complètement la batterie.

Dépannage

Si votre outil ne semble pas fonctionner correctement, suivez les instructions ci-dessous. Si vous ne pouvez pas résoudre ainsi le problème, contactez votre service de réparation local Black & Decker.

Attention ! Avant de procéder à toutes réparations, enlevez la batterie de l'outil.

Si l'outil fonctionne lentement

- ◆ Vérifiez que le support de la bobine tourne correctement et librement. Nettoyez-la soigneusement si cela est nécessaire.
- ◆ Vérifiez que le fil de coupe ne dépasse pas de plus de 10-12 cm du support de la bobine. Si c'est le cas, coupez-le pour qu'il atteigne juste la lame coupe-fil.

L'alimentation du fil automatique ne fonctionne pas

- ◆ Maintenez les languettes enfoncées et retirez le couvercle du boîtier.
- ◆ Levez la bobine d'env. 6 mm et tirez sur le fil de coupe jusqu'à ce qu'il sorte de 10-12 cm du support. S'il reste peu de fil de coupe sur la bobine, installez une nouvelle bobine de fil de coupe comme expliqué ci-dessus.
- ◆ Poussez sur la bobine pour la remettre en place et faites-la tourner légèrement jusqu'à ce qu'elle soit en place.

- ◆ Alignez les languettes sur le couvercle de la bobine avec les trous dans la protection.
- ◆ Enfoncez le couvercle sur le support jusqu'à ce qu'il se mette en place avec un clic sec.
- ◆ Si le fil de coupe dépasse la lame coupe fil, coupez-le afin qu'il atteigne juste la lame.

Si l'alimentation de ligne automatique ne fonctionne toujours pas, essayez les suggestions suivantes :

- ◆ Nettoyez soigneusement le boîtier de la bobine.
- ◆ Retirez la bobine et vérifiez que la gâchette bouge librement.
- ◆ Retirez la bobine et déroulez le fil de coupe, puis enrroulez-le à nouveau proprement comme expliqué ci-dessus. Remettez la bobine en place comme expliqué.

La bobine est coincée

- ◆ Maintenez les languettes enfoncées et retirez le couvercle du boîtier.
- ◆ Nettoyez soigneusement le boîtier de la bobine.
- ◆ Enfoncez le couvercle sur le support jusqu'à ce qu'il se mette en place avec un clic sec.

Protection de l'environnement



Collecte séparée. Ce produit ne doit pas être jeté avec les déchets domestiques normaux.

Si vous décidez de remplacer ce produit Black & Decker, ou si vous n'en avez plus l'utilité, ne le jetez pas avec vos déchets domestiques. Rendez-le disponible pour une collecte séparée.



La collecte séparée des produits et emballages usés permet le recyclage des articles afin de les utiliser à nouveau. Le fait d'utiliser à nouveau des produits recyclés permet d'éviter la pollution environnementale et de réduire la demande de matières premières.

Les réglementations locales peuvent permettre la collecte séparée des produits électriques du foyer, dans des déchetteries municipales ou auprès du revendeur vous ayant vendu votre nouveau produit.

Black & Decker fournit un dispositif permettant de collecter et de recycler les produits Black & Decker lorsqu'ils ont atteint la fin de leur cycle de vie. Pour pouvoir profiter de ce service, veuillez retourner votre produit à un réparateur agréé qui se chargera de le collecter pour nous.

Pour connaître l'adresse du réparateur agréé le plus proche de chez vous, contactez le bureau Black & Decker à l'adresse indiquée dans ce manuel. Vous pourrez aussi trouver une liste des réparateurs agréés de Black & Decker et de plus amples

détails sur notre service après-vente sur le site Internet à l'adresse suivante : www.2helpU.com

Packs-batteries



Les batteries Black & Decker peuvent être rechargées de nombreuses fois. A la fin de leur durée de vie technique, jetez les batteries en respectant l'environnement :

- ◆ Videz complètement la batterie, puis retirez-la de l'outil.
- ◆ Les batteries NiCd, NiMH et Li-Ion sont recyclables. Apportez-les à votre réparateur agréé ou à un centre de recyclage local.

Caractéristiques techniques

		GLC2500L (H2)
Voltage	V _{DC}	18
Vitesse à vide	min ⁻¹	6.800
Poids	kg	3,2

		A1518L
Voltage	V _{DC}	18
Ampérage	Ah	1,5
Poids	kg	0,8

		9053954*
Tension	V _{AC}	230
Tension de sortie	V _{DC}	21
Ampérage	A	1,9
Temps de chargement approx.	h	1
Poids	kg	0,5

Valeurs totales de vibration (somme vectorielle triax) selon EN 786 :

Valeur d'émissions de vibrations (a_h) 4 m/s²,
incertitude (K) 1,5 m/s²

Déclaration de conformité CE

DIRECTIVE MACHINES
DIRECTIVE BRUIT DANS L'ENVIRONNEMENT



GLC2500L

Black & Decker déclare que ces produits décrits sous les "caractéristiques techniques" sont conformes avec :
2006/42/CE, EN 60335-1, EN 60335-2-91

2000/14/CE, Coupe-bordures, $L \leq 50$ cm, Annexe VIII
KEMA Quality B.V., Utrechtseweg 310, 6802 ED Arnhem,
Pays-Bas Notified Body ID No.: 0344

Niveau de pression acoustique conforme à la norme
2000/14/CE (Article 12, Annexe III, $L \leq 50$ cm) :
 L_{WA} (pression sonore mesurée) 95 dB(A)
incertitude (K) = 3 dB(A)
 L_{WA} (pression sonore garantie) 96 dB(A)
incertitude (K) = 3 dB(A)

Ces produits sont également conformes à la directive
2004/108/CE. Pour en savoir plus, veuillez contacter
Black & Decker à l'adresse suivante ou consultez le dos
du manuel.

Le soussigné est responsable de la compilation du fichier
technique et effectue cette déclaration au nom
de Black & Decker.

Kevin Hewitt
Vice-président Ingénierie globale
Black & Decker Europe, 210 Bath Road, Slough,
Berkshire, SL1 3YD
Royaume Uni
21/01/2010

Garantie

Black & Decker est confiant dans la qualité de ses produits et vous offre une garantie très étendue. Ce certificat de garantie est un document supplémentaire et ne peut en aucun cas se substituer à vos droits légaux. La garantie est valable sur tout le territoire des Etats Membres de l'Union Européenne et de la Zone de Libre Echange Européenne.

Si un produit Black & Decker s'avère défectueux en raison de matériaux en mauvaises conditions, d'une erreur humaine, ou d'un manque de conformité dans les 24 mois suivant la date d'achat, Black & Decker garantit le remplacement des pièces défectueuses, la réparation des produits usés ou cassés ou remplace ces produits à la convenance du client, sauf dans les circonstances suivantes :

- ◆ Le produit a été utilisé dans un but commercial, professionnel, ou a été loué.
- ◆ Le produit a été mal utilisé ou avec négligence.
- ◆ Le produit a subi des dommages à cause d'objets étrangers, de substances ou à cause d'accidents.
- ◆ Des réparations ont été tentées par des techniciens ne faisant pas partie du service technique de Black & Decker.

Pour avoir recours à la garantie, il est nécessaire de fournir une preuve d'achat au vendeur ou à un réparateur agréé. Pour connaître l'adresse du réparateur agréé le plus proche de chez vous, contactez le bureau Black & Decker à l'adresse indiquée dans ce manuel. Vous pourrez aussi trouver une liste des réparateurs agréés de Black & Decker et de plus amples détails sur notre service après-vente sur le site Internet à l'adresse suivante : www.2helpU.com

Visitez notre site Web www.blackanddecker.fr pour enregistrer votre nouveau produit Black & Decker et être informé des nouveaux produits et des offres spéciales. Pour plus d'informations concernant la marque Black & Decker et notre gamme de produits, consultez notre site www.blackanddecker.fr

Usò previsto

Il tosaerba Black & Decker è stato progettato per tosare e rifinire i cigli dei prati e per tagliare l'erba in spazi ristretti.

L'utensile è stato progettato per un uso individuale.

Il vostro caricabatteria Black & Decker è stato progettato per caricare batterie Black & Decker del tipo fornito con questo utensile.

Precauzioni di sicurezza

Norme generali



Attenzione! Quando si adoperano utensili a pila, per ridurre il rischio di incendi, fuoriuscita di liquido dalle pile, danni personali e materiali, è necessario osservare alcune precauzioni di sicurezza fondamentali, incluso le seguenti.

- ◆ Prima di adoperare l'utensile, leggere attentamente le istruzioni di cui al presente manuale.
- ◆ Prima di far funzionare l'utensile, assicuratevi di conoscere come spegnere l'utensile in caso di emergenza.
- ◆ L'utilizzo previsto è quello descritto in questo manuale. L'uso di accessori o attrezzature diversi o l'impiego del presente elettroutensile per scopi diversi da quelli indicati nel presente manuale comportano il rischio di infortuni.
- ◆ Conservare questo manuale di istruzioni per successive consultazioni.

Area di lavoro

- ◆ Non lasciare l'utensile sotto la pioggia
- ◆ e non usarlo in ambienti carichi di umidità.
- ◆ Adoperarlo solo alla luce naturale oppure con una buona illuminazione artificiale.

Protezione personale

- ◆ Indossare scarpe robuste o scarponi per proteggere i piedi.
- ◆ Non azionare l'utensile se si indossano sandali aperti o a piedi scalzi.
- ◆ Indossare pantaloni a gamba lunga per proteggere le gambe.

Utilizzo dell'utensile

- ◆ Essere sempre vigili. Prestare attenzione a quanto si sta facendo e fare uso di buon senso.
- ◆ Non utilizzare l'utensile quando si è stanchi.
- ◆ Se l'elettroutensile comincia a vibrare in modo anomalo, spegnerlo. Attendere che le parti rotanti si fermino e ispezionarlo per rilevare eventuali danni o parti lasche.

Sicurezza altrui

- ◆ Vietare l'uso dell'apparecchio ai bambini e agli adulti che non abbiano letto il presente manuale di istruzioni.

- ◆ Non permettere ai bambini, ad altre persone o ad animali di avvicinarsi alla zona di lavoro o di toccare l'utensile.
- ◆ Ricordare che l'operatore è responsabile di eventuali incidenti o rischi all'incolumità di altre persone o loro beni.

Questo elettroutensile non è destinato ad essere utilizzato da persone (bambini inclusi) con ridotte capacità fisiche, sensoriali o mentali, senza esperienza o non in possesso delle dovute conoscenze, senza la supervisione o l'addestramento da parte di una persona responsabile per la loro sicurezza. Controllare i bambini per evitare che giochino con l'elettroutensile.

Dopo l'uso

- ◆ Spegnerne l'elettroutensile e accertarsi che le parti mobili si siano fermate prima di lasciarlo incustodito e prima di sostituirne, pulirne o ispezionarne qualsiasi componente.
- ◆ Quando non è in funzione, l'utensile deve essere conservato in un luogo asciutto e non accessibile ai bambini.

Ispezione e riparazioni

- ◆ Prima dell'uso, verificare se vi sono componenti danneggiati o difettosi. Controllare che non vi siano parti mobili disallineate o grippate, componenti spezzati, danni alle protezioni o agli interruttori e qualsiasi altra condizione che possa alterare il funzionamento dell'elettroutensile.
- ◆ Non usare l'utensile se degli elementi sono danneggiati o difettosi. Non impiegare l'utensile se non è possibile accenderlo e spegnerlo mediante l'interruttore.
- ◆ Non usare mai l'utensile se una protezione o copertura è danneggiata o mancante.
- ◆ Verificare che l'elettroutensile funzioni correttamente e sia impiegato per lo scopo previsto.
- ◆ Eventuali componenti difettosi o danneggiati devono essere sostituiti o riparati da un tecnico autorizzato.
- ◆ Non tentare mai di smontare o sostituire componenti diversi da quelli indicati nel presente manuale.

Istruzioni supplementari sulla sicurezza per batterie e caricatori

Batterie

- ◆ Non tentare mai di aprire le batterie, per nessuna ragione.
- ◆ Non esporre la batteria all'acqua.
- ◆ Non esporre la batteria al calore.
- ◆ Non conservarle in ambienti in cui la temperatura possa superare i 40 °C.
- ◆ Caricare le batterie solo a temperatura ambiente compresa tra 10 °C e 40 °C.
- ◆ Caricare la batteria solo usando il caricabatterie fornito con l'elettroutensile.
- ◆ Per smaltire le batterie seguire le istruzioni riportate nel capitolo "Protezione dell'ambiente".

- ◆ Non danneggiare o deformare la batteria forandola o colpandola, in quanto ciò può esporre al rischio di infortuni e incendi.
- ◆ Non ricaricare batterie danneggiate.

Caricabatterie

Attenzione! Il caricabatterie è predisposto per essere alimentato con una specifica tensione. Controllare che la tensione di alimentazione corrisponda a quella indicata sulla targhetta con i dati caratteristici.

- ◆ Usare il caricabatterie Black & Decker soltanto per caricare le batterie fornite con l'elettrotensile. Batterie di altro tipo possono esplodere, provocando danni a persone e cose.
- ◆ Non tentare mai di ricaricare una batteria non ricaricabile.
- ◆ Se il cavo elettrico in dotazione risulta danneggiato, deve essere sostituito dal produttore o da un Centro di assistenza autorizzato Black & Decker, onde evitare rischi.
- ◆ Non esporre il caricabatterie all'acqua.
- ◆ Non aprire il caricabatterie.
- ◆ Non applicare i puntali di un multimetro sul caricabatterie.

Sul caricabatterie sono apposti i seguenti simboli:



Il caricabatterie è provvisto di doppio isolamento che rende superflua la messa a terra. Controllare che la tensione di alimentazione corrisponda a quella indicata sulla targhetta con i dati caratteristici. Non cercare di utilizzare una normale presa di corrente al posto del caricabatterie.



Il caricabatterie è destinato ad essere usato esclusivamente in ambienti interni.



Leggere il manuale di istruzioni prima dell'uso.



Caricare le batterie solo a temperatura ambiente compresa tra 10 °C e 40 °C.

Istruzioni supplementari di sicurezza per il tosaerba

I seguenti simboli di avvertenza si trovano sull'elettrotensile:



Indossate sempre occhiali di protezione quando fate funzionare questo utensile.



Attenzione! Il filo di taglio continuerà a girare per alcuni secondi dopo che l'utensile è stato spento. Non cercare mai di fermare filo con la forza.



Non consentire a persone o animali di avvicinarsi a meno di 6 m dall'area di taglio.



Non esporre l'elettrotensile a pioggia o a condizioni di alta umidità.

- ◆ Familiarizzarsi con i comandi e l'uso corretto dell'elettrotensile.
- ◆ Adoperarlo solo alla luce naturale oppure con una buona illuminazione artificiale.
- ◆ Indossare scarpe robuste o scarponi per proteggere i piedi.
- ◆ Indossare pantaloni a gamba lunga per proteggere le gambe.
- ◆ Prima di usare l'elettrotensile, verificare che il percorso da tosar sia sgombro da pezzi di legno, pietre, fili e qualsiasi altro ostacolo.
- ◆ Usate l'elettrotensile soltanto in posizione verticale, con il filo di taglio vicino al suolo. Non avviare mai l'elettrotensile in nessun'altra posizione.
- ◆ Procedere lentamente quando si adopera l'elettrotensile. Ricordare sempre che l'erba appena tagliata è umida e scivolosa.
- ◆ Non lavorare su pendenze ripide. Quando si lavora in pendio, spostare l'elettrotensile da lato a lato, mai da dall'alto in basso.
- ◆ Non attraversare mai percorsi di ghiaia o asfaltati con l'elettrotensile in funzione.
- ◆ Non toccare mai il filo di taglio mentre l'elettrotensile è acceso.
- ◆ Non poggiare l'elettrotensile a terra fino a che il filo di taglio non si è arrestato del tutto.
- ◆ Impiegare unicamente il filo di taglio adeguato. Non utilizzare fili di taglio metallici o fili da pesca.
- ◆ Fate attenzione a non toccare la lama del filo tosaerba.
- ◆ Tenere sempre mani e piedi lontani dal filo di taglio, soprattutto quando si accende l'elettrotensile.



Attenzione! Gli elementi da taglio continuano a ruotare dopo lo spegnimento dell'elettrotensile.

- ◆ Non utilizzare mai l'elettrotensile con le protezioni danneggiate o non inserite.
- ◆ Controllare sempre che le prese di ventilazione siano sgombre da detriti.

Sicurezza elettrica



Il caricatore è fornito di doppio isolamento, per la quale non è richiesta la messa a terra. Assicurarsi che la tensione del caricatore corrisponda a quella erogata dalla rete. Non cercate di rimpiazzare il carica batteria inserendo l'utensile in una presa di corrente.

Funzioni

1. Interruttore acceso/spento
2. Pulsante di sblocco

3. Impugnatura principale
4. Impugnatura secondaria
5. Pomo dell'impugnatura
6. Collare di regolazione dell'impugnatura
7. Collare di regolazione della modalità
8. Alloggiamento del motore
9. Protezione
10. Lama del filo tosaerba
11. Guida per bordo
12. Alloggiamento bobina
13. Filo di taglio
14. Batteria

Fig. A

15. Caricabatteria
16. Indicatore di carica

Montaggio

Attenzione! Prima di montaggio, rimuovere la batteria.

Inserimento ed estrazione della batteria (fig. B)

- ◆ Per inserire la batteria (14), allinearla alla base sull'utensile. Fare scorrere la batteria nella base fino a che non s'inserisce con uno scatto.
- ◆ Per estrarre la batteria, premere il pulsante di sgancio (17) e, contemporaneamente, estrarla dalla base.

Montaggio della protezione (fig. C)

- ◆ Inserire il perno (18) della protezione nel foro (19).
- ◆ Inserire la linguetta (20) nell'apposita fessura (21) finché non scatta in posizione.
- ◆ Inserire le viti (22) e serrarla.

Installazione della protezione (fig. D)

Attenzione! Non adoperare mai l'utensile se gli schermi o le protezioni sono danneggiati o non installati.

- ◆ Collocare la protezione (9) sull'utensile come illustrato, allineando i fori (23) con le linguette (24) dell'utensile.
- ◆ Premere la protezione fino a che si fissa in posizione (A).
- ◆ Spingere la protezione in avanti (B).
- ◆ Serrare saldamente le viti (25).

Attenzione! Non usare mai l'elettrotensile se la protezione non è installata correttamente.

Inserimento di una nuova bobina di filo di taglio (fig. E)

Le bobine di filo di taglio di ricambio sono disponibili presso il concessionario Black & Decker (cat. n. A6481).

- ◆ Mantenere premute le linguette (26) sul coperchio della bobina (27) e togliere il coperchio della bobina dall'alloggiamento (12).
- ◆ Estrarre la bobina vuota (28) dall'alloggiamento.

- ◆ Eliminare dall'alloggiamento eventuali tracce di sporcizia e erba.
- ◆ Svolgere circa 12 cm di filo di taglio dalla nuova bobina.
- ◆ Introdurre il filo di taglio attraverso l'occhiello (29).
- ◆ Spingere la bobina nell'albero (30) e ruotarla di poco finché non si assesta. Assicurarsi che il filo di taglio non si sia intrappolato sotto la bobina e che dall'alloggiamento ne fuoriescano 10-12 cm.
- ◆ Allineare le linguette sul coperchio della bobina con i fori dell'alloggiamento.
- ◆ Spingere il coperchio sull'alloggiamento fino a bloccarlo in posizione con uno scatto.

Attenzione! Se il filo di taglio fuoriesce al di là della lama di tosatura (10), tagliarlo in modo che raggiunga solo la lama.

Avvolgere filo nuovo su una bobina vuota (fig. F - H)

È possibile avvolgere del filo di taglio nuovo su una bobina vuota. Il filo di taglio di ricambio è disponibile presso il concessionario Black & Decker (n. parte A6170 (25 m), A6171 (40 m)).

- ◆ Rimuovere la bobina vuota dall'elettrotensile, come descritto in precedenza.
- ◆ Togliere dalla bobina eventuali residui del vecchio filo di taglio (31) (fig. F).
- ◆ Infilare 2 cm di filo di taglio in uno dei fori (32) della bobina, come illustrato (fig. G).
- ◆ Piegarlo il filo di taglio e fissarlo nella fessura a L (33).
- ◆ Avvolgere il filo di taglio sulla bobina, nella direzione della freccia. Assicurarsi che il filo si avvolga ordinatamente e a strati successivi, senza seguire percorsi trasversali (fig. H).
- ◆ Recidere il filo di taglio che si sta avvolgendo quando raggiunge le tacche (34). Lasciare fuoriuscire circa 12 cm di filo di taglio e premerlo con un dito per mantenerlo fermo (fig. F).
- ◆ Per inserire la bobina nell'elettrotensile, procedere come descritto sopra.

Attenzione! Usare esclusivamente il filo adeguato della Black & Decker.

Rischi residui.

Altri rischi residui che possono sorgere durante l'impiego dell'elettrotensile e che possono non essere stati contemplati dagli allegati avvisi di sicurezza. Tali rischi possono sorgere a seguito di un uso prolungato o improprio, ecc. Perfino adottando gli appositi regolamenti di sicurezza e utilizzando i dispositivi di sicurezza, certi rischi residui non possono essere evitati. Essi comprendono:

- ◆ **Lesioni causate o subite a seguito del contatto con parti rotanti/in movimento.**
- ◆ **Lesioni causate o subite durante la sostituzione di parti, lame o accessori.**
- ◆ **Lesioni causate dall'impiego prolungato di un elettrotensile. Quando si usa qualsiasi elettrotensile**

per lunghi periodi, accertarsi di fare regolarmente delle pause.

- ◆ Problemi di udito.
- ◆ Rischi per la salute causati dall'aspirazione di polvere generata dall'utilizzo dell'elettrotensile (ad esempio quando si lavora con il legno, in modo particolare quello di quercia, faggio o l'MDF).

Uso

Attenzione! Lasciare che l'utensile lavori al suo ritmo, senza sovraccaricarlo.

Carica della batteria (fig. A)

Attenzione! Non caricare la batteria ad una temperatura ambiente inferiore a 4 °C o superiore a 40 °C. La temperatura di carica consigliata è di circa 24 °C.

Nota: Il caricabatterie non caricherà la batteria se la temperatura delle celle è inferiore o vicina a 0 °C o superiore a 60 °C. Lasciare la batteria nel caricabatterie che inizierà automaticamente la carica quando la temperatura delle celle aumenta o diminuisce a seconda dei casi.

- ◆ Inserire la spina del caricabatterie (15) in una presa e accenderlo.
- ◆ Inserire la batteria (14) nel caricabatterie. Accertare che la batteria sia perfettamente inserita nel caricabatterie (15).

La spia del caricabatterie (16) lampeggerà continuamente (lentamente). La carica è completa quando la spia del caricabatterie (16) rimane accesa fissa. Il caricabatterie e la batteria possono essere lasciati collegati indefinitamente con il LED acceso. Il LED inizia a lampeggiare (caricamento) quando, occasionalmente, il caricabatterie riporta alla carica completa la batteria. L'indicatore di carica (16) rimane sempre acceso quando la batteria è collegata al caricabatterie sotto tensione.

- ◆ Caricare le batterie scariche entro 1 settimana. La durata in servizio della batteria diminuirà notevolmente se viene riposta scarica.

Indicatori di carica

Se il caricabatterie rileva un problema nella batteria, l'indicatore di carica (16) inizia a lampeggiare velocemente. Procedere nel modo seguente:

- ◆ Reinserrire la batteria (14).
- ◆ Se gli indicatori di caricamento continuano a lampeggiare rapidamente, usare una batteria diversa per stabilire se il processo di caricamento funziona.
- ◆ Se la batteria sostitutiva si carica correttamente, quella originale è difettosa e deve essere riportata ad un centro assistenza per il riciclo.
- ◆ Se con la nuova batteria si ottiene la stessa indicazione che con quella originale, portare il caricabatterie da verificare presso un centro assistenza autorizzato.

Nota: Possono essere necessari circa 15 minuti per stabilire se una batteria è difettosa. Se la batteria è troppo calda o troppo fredda, il LED lampeggerà velocemente e lentamente in alternanza, un lampeggio a ciascuna velocità e ripetizione del ciclo.

Regolazione della posizione dell'impugnatura secondaria (fig. I)

L'impugnatura secondaria (4) può essere regolata per bilanciare in modo ottimale l'utensile ed ottenere così la massima comodità.

- ◆ Adagiare a terra la protezione (9).
- ◆ Allentare il pomo della maniglia (5).
- ◆ Girare l'impugnatura nella posizione desiderata.
- ◆ Stringere saldamente il pomo della maniglia.

Regolazione dell'altezza (fig. J)

L'albero telescopico (35) consente di regolare l'altezza dell'utensile per ottenere il massimo comfort.

- ◆ Allentare il collare (6).
- ◆ Per aumentare l'altezza, fare scivolare l'albero in fuori.
- ◆ Per ridurre l'altezza, fare scivolare l'albero in dentro.
- ◆ Serrare il collare.

Avviamento e spegnimento (fig. K)

Per ragioni di sicurezza, questo elettrotensile viene fornito con un sistema di doppi interruttori che ne impedisce l'avviamento indesiderato.

Accensione

- ◆ Spingere indietro il pulsante di sblocco (2) con il pollice e, contemporaneamente, spingere l'interruttore on/off (1).
- ◆ Rilasciare il pulsante di sblocco.

Spegnimento

- ◆ Rilasciare l'interruttore on / off (1).

Attenzione! Non tentare mai di bloccare l'interruttore in posizione di accensione.

Impostazione dell'elettrotensile sulla modalità di tosatura o rifinitura dei bordi (fig. L - N)

L'elettrotensile può essere impiegato per tosare come raffigurato nella fig. L o per tagliare l'erba che fuoriesce dai bordi dei prati e dalle fioriere, come raffigurato nella fig. M.

Modalità di rifinitura bordi (fig. L & N)

Per tosare l'erba, la testa tosatrice deve trovarsi sulla posizione indicata nella fig. L. In caso contrario:

- ◆ Afferrare con una mano la maniglia secondaria e prendere l'anello (7) con l'altra mano, come illustrato (fig. L).
- ◆ Spingere l'anello in direzione della testa tosatrice e ruotarlo in senso antiorario finché la testa tosatrice non s'innesta in posizione di tosatura (fig. N).
- ◆ Rilasciare l'anello.
- ◆ Collocare la guida dei bordi (11) in posizione arretrata.

Modalità di rifinitura di bordi (fig. M & N)

Per la rifinitura dei bordi, la testa tosatrice deve trovarsi nella posizione mostrata nella fig. M. In caso contrario:

- ◆ Mentre mantenete la maniglia secondaria con una mano, prendete l'anello (7) con l'altra mano come raffigurato (fig. M).
- ◆ Spingere l'anello in direzione della testa tosatrice e ruotarlo in senso orario finché la testa tosatrice non s'innesta in posizione di rifinitura dei bordi (fig. N).
- ◆ Rilasciare l'anello.
- ◆ Collocare la guida dei bordi (11) in posizione arretrata.

Consigli per un'ottima utilizzazione (fig. L)**Tosatura**

- ◆ Sostenere l'elettrotensile come mostrato nella fig. L.
- ◆ Spostare con delicatezza la tosatrice, da un lato all'altro, come illustrato nella fig. L.
- ◆ Quando si tosa erba alta, procedere per gradi, partendo dalla cima.
- ◆ Tenere l'elettrotensile lontano da oggetti duri e piante delicate.
- ◆ Se la velocità dell'elettrotensile diminuisce, ridurre il carico.

Rifinitura dei bordi

Per ottenere risultati ottimali, intervenire su bordi con profondità superiore a 50 mm.

- ◆ Non adoperare l'elettrotensile per creare dei bordi; in questo caso è opportuno adoperare un'apposita vanga.
- ◆ Dirigere l'utensile come illustrato nella fig. L. Mantenere la guida per i bordi contro il bordo del prato.
- ◆ Per eseguire un taglio più accurato, inclinare lievemente l'elettrotensile.

Norme generali

- ◆ Per ottenere risultati ottimali, tagliare soltanto erba secca.
- ◆ Se possibile, mantenere la batteria collegata al caricatore e il caricatore inserito in una presa, ogniqualvolta l'utensile non è in uso.

Manutenzione

Questo elettrotensile Black & Decker è stato progettato per funzionare a lungo con un minimo di manutenzione. Per un funzionamento sempre soddisfacente è necessario avere cura dell'elettrotensile e provvedere alla regolare pulizia.

Il caricabatterie non richiede alcun tipo di manutenzione oltre a una regolare pulizia.

Attenzione! Prima di eseguire qualsiasi tipo di manutenzione dell'elettrotensile, estrarne le batterie. Scollegare il caricatore dalla presa elettrica prima di pulirlo.

- ◆ Dopo l'uso, staccare la batteria e controllare che l'utensile non abbia subito danni.
- ◆ Pulire regolarmente con una spazzola morbida o un panno asciutto le prese di ventilazione dell'elettrotensile e del caricabatteria.
- ◆ Il vano del motore deve essere pulito regolarmente con un panno umido. Non usare materiali abrasivi o detergenti a base di solventi.
- ◆ Pulire regolarmente il filo di taglio e la bobina con una spazzola morbida o un panno asciutto.
- ◆ Usare regolarmente un raschietto senza punta per togliere l'erba e la sporizia dalla superficie inferiore della protezione.

Stoccaggio

Quando l'elettrotensile non viene usato per diversi mesi, si consiglia di lasciare la batteria collegata al caricatore.

Altrimenti procedere come segue:

- ◆ Caricare completamente la batteria.
- ◆ Rimuovere la batteria dall'utensile.
- ◆ Riporre l'utensile e la batteria in un luogo adatto e asciutto. La temperatura ambiente deve essere compresa tra +5 °C e +40 °C. La batteria deve essere collocata su un piano orizzontale.
- ◆ Prima di usare l'utensile dopo un lungo periodo di conservazione, ricaricare nuovamente la batteria.

Risoluzione dei problemi

Se l'utensile non sembra funzionare correttamente, procedere come segue. Se il problema persiste, contattare il servizio di assistenza tecnica della Black & Decker.

Attenzione! Prima di procedere, rimuovere la batteria dall'utensile.

L'elettrotensile funziona lentamente

- ◆ Controllare che l'alloggiamento della bobina ruoti liberamente. Se necessario pulirlo accuratamente.
- ◆ Controllare che il filo di taglio non fuoriesca più di 10 - 12 cm dall'alloggiamento della bobina. In caso contrario, tagliare il filo in modo che raggiunga solo la lama di tosatura.

L'alimentazione automatica del filo non funziona

- ◆ Tenere premute le linguette e togliere il coperchio della bobina dall'alloggiamento.
- ◆ Sollevare la bobina circa 6 mm e tirare il filo di taglio fino a che non fuoriesca di circa 10 -12 cm dall'alloggiamento. Se non c'è sufficiente filo nella bobina, montare una nuova bobina di filo di taglio, come descritto in precedenza.
- ◆ Spingere nuovamente in posizione la bobina e ruotarla leggermente fino a che non si assesta.

- ◆ Allineare le linguette sul coperchio della bobina con i fori dell'alloggiamento.
- ◆ Spingere il coperchio nell'alloggiamento fino a bloccarlo in posizione.
- ◆ Se il filo di taglio fuoriesce oltre la lama di tosatura, tagliarlo in modo che raggiunga solo la lama.

Se l'alimentazione automatica del filo continua a non funzionare, si consiglia quanto segue:

- ◆ Pulire accuratamente l'alloggiamento della bobina.
 - ◆ Estrarre la bobina e controllare se la leva si muove liberamente.
 - ◆ Togliere la bobina e srotolare il filo di taglio, poi avvolgere nuovamente il filo, come descritto in precedenza.
- Sostituire la bobina come indicato.

La bobina è inceppata

- ◆ Tenere premute le linguette e togliere il coperchio della bobina dall'alloggiamento.
- ◆ Pulire accuratamente l'alloggiamento della bobina.
- ◆ Spingere il coperchio nell'alloggiamento fino a bloccarlo in posizione.

Protezione dell'ambiente



Raccolta differenziata. Questo prodotto non deve essere smaltito con i normali rifiuti domestici.

Nel caso in cui si decida di sostituire l'apparecchio oppure di disfarsene in quanto non più necessario, non dovrà essere smaltito con i normali rifiuti domestici. Smaltire il prodotto tramite raccolta differenziata.



La raccolta differenziata di prodotti e imballaggi usati, consente il riciclaggio e il riutilizzo dei materiali. Riutilizzare i materiali riciclati aiuta a prevenire l'inquinamento ambientale e riduce la richiesta di materie prime.

In base alle normative locali, i servizi per la raccolta differenziata di elettrodomestici possono essere disponibili presso i punti di raccolta municipali o presso il rivenditore, al momento dell'acquisto di un nuovo prodotto.

Black & Decker offre ai suoi clienti un servizio per la raccolta differenziata e la possibilità di riciclare i prodotti Black & Decker che hanno esaurito la loro durata in servizio. Per usufruire del servizio, è sufficiente restituire il prodotto a qualsiasi tecnico autorizzato, incaricato della raccolta per conto dell'azienda.

Per individuare il tecnico autorizzato più vicino, rivolgersi alla sede Black & Decker locale, presso il recapito indicato nel presente manuale. Altrimenti un elenco completo di tutti i tecnici autorizzati Black & Decker e i dettagli completi sui contatti e i servizi post-vendita sono disponibili sul sito Internet: www.2helpU.com

Batterie



Le batterie della Black & Decker si possono ricaricare più volte: al termine della loro durata in servizio, devono essere raccolte negli appositi contenitori, per garantirne lo smaltimento nel rispetto dell'ambiente.

- ◆ Quando è completamente esaurita, la batteria deve essere estratta dall'utensile.
- ◆ Le batterie NiCd, NiMH e Li-Ion sono riciclabili e devono essere consegnate a un tecnico autorizzato o portate presso un impianto di riciclaggio di zona.

Dati tecnici

		GLC2500L (H2)
Tensione	V _{DC}	18
Velocità a vuoto	min ⁻¹	6.800
Peso	kg	3,2

		A1518L
Tensione	V _{DC}	18
Capacità	Ah	1,5
Peso	kg	0,8

		9053954*
Tensione	V _{AC}	230
Tensione di uscita	V _{DC}	21
Amperaggio	A	1,9
Tempo approssimato di carica	h	1
Peso	kg	0,5

Valori totali di vibrazione (somma vettoriale triax) determinati in base a EN 786:

Valore di emissione delle vibrazioni (a_n) 4 m/s²,
incertezza (K) 1,5 m/s²

Dichiarazione di conformità CE

DIRETTIVA MACCHINE

DIRETTIVA SULLE EMISSIONI ACUSTICHE DELLE
MACCHINE DESTINATE A FUNZIONARE ALL'ARIA APERTA

GLC2500L

Black & Decker dichiara che i prodotti descritti nella sezione
"dati tecnici" sono conformi con:
2006/42/CE, EN 60335-1, EN 60335-2-91

2000/14/CE, Tosaerba, $L \leq 50$ cm, Allegato VIII
KEMA Quality B.V., Utrechtseweg 310, 6802 ED Arnhem,
Paesi Bassi
Notified Body ID No.: 0344

Livello di potenza acustica conforme con 2000/14/CE
(Articolo 12, Allegato III, $L \leq 50$ cm):
 L_{WA} (potenza sonora misurata) 95 dB(A)
incertezza (K) = 3 dB(A)
 L_{WA} (potenza sonora garantita) 96 dB(A)
incertezza (K) = 3 dB(A)

Detti prodotti sono inoltre conformi con la direttiva 2004/108/CE.
Per ulteriori informazioni, contattare Black & Decker ai
seguenti indirizzi o consultare il retro del manuale.

Il sottoscritto è responsabile della compilazione del file tecnico
e rilascia la presente dichiarazione per conto di Black & Decker.

Kevin Hewitt
Vicepresidente progettazione globale
Black & Decker Europe, 210 Bath Road, Slough,
Berkshire, SL1 3YD
Regno Unito
21/01/2010

Garanzia

Certa della qualità dei suoi prodotti, Black & Decker offre una garanzia eccezionale. Il presente certificato di garanzia è complementare ai diritti statutari e non li pregiudica in alcun modo. La garanzia è valida entro il territorio degli Stati membri dell'Unione Europea e dell'EFTA (European Free Trade Area).

Se un prodotto Black & Decker risulta difettoso per qualità del materiale, della costruzione o per mancata conformità entro 24 mesi dalla data di acquisto, Black & Decker garantisce la sostituzione delle parti difettose, provvede alla riparazione dei prodotti se ragionevolmente usurati oppure alla loro sostituzione, in modo da ridurre al minimo il disagio del cliente a meno che:

- ◆ Il prodotto non sia stato destinato ad usi commerciali, professionali o al noleggio;
- ◆ Il prodotto non sia stato usato in modo improprio o scorretto;
- ◆ Il prodotto non abbia subito danni causati da oggetti o sostanze estranee oppure incidenti;
- ◆ Il prodotto non abbia subito tentativi di riparazione non effettuati da tecnici autorizzati né dall'assistenza Black & Decker.

Per attivare la garanzia è necessario esibire la prova comprovante l'acquisto al venditore o al tecnico autorizzato. Per individuare il tecnico autorizzato più vicino, rivolgersi alla sede Black & Decker locale, presso il recapito indicato nel presente manuale. Altrimenti un elenco completo di tutti i tecnici autorizzati Black & Decker e i dettagli completi sui contatti e i servizi post-vendita sono disponibili su Internet presso: www.2helpU.com

I clienti che desiderano registrare il nuovo prodotto Black & Decker e ricevere gli aggiornamenti sui nuovi prodotti e le offerte speciali, sono invitati a visitare il sito Web (www.blackanddecker.it). Ulteriori informazioni sul marchio e la gamma di prodotti Black & Decker sono disponibili all'indirizzo www.blackanddecker.it

Gebruik volgens bestemming

Uw Black & Decker strimmer is ontworpen voor het strimmen en afwerken van graskanten alsmede voor het strimmen van gras in besloten ruimtes. Deze machine is uitsluitend bestemd voor consumentengebruik.

Uw Black & Decker oplader is ontworpen voor het opladen van Black & Decker accu's van het type dat bij deze machine wordt geleverd.

Veiligheidsvoorschriften

Algemeen



Waarschuwing! Bij het gebruik van batterijgevoede instrumenten dienen ter bescherming tegen brandgevaar, vrijkomen van batterijvloeistof, letsel en materiële schade altijd gepaste veiligheidsmaatregelen in acht te worden genomen, waaronder de volgende veiligheidsvoorschriften.

- ◆ Lees de gebruiksaanwijzing aandachtig door voordat u met het instrument gaat werken.
- ◆ Zorg ervoor dat u voor gebruik weet hoe u de machine in geval van nood uitschakelt.
- ◆ Het bedoelde gebruik wordt in deze handleiding beschreven. Gebruik ter voorkoming van lichamelijk letsel uitsluitend de in deze gebruiksaanwijzing aanbevolen accessoires en hulpstukken. Gebruik het instrument uitsluitend volgens bestemming.
- ◆ Bewaar deze instructies zorgvuldig.

Werkomgeving

- ◆ Stel instrument niet bloot aan regen.
- ◆ Gebruik het instrument niet in een vochtige of natte omgeving.
- ◆ Werk apparaat alleen bij daglicht of goede kunstmatige verlichting met het apparaat.

Persoonlijke bescherming

- ◆ Draag stevige schoenen of laarzen om uw voeten te beschermen.
- ◆ Gebruik de machine niet met open sandalen of blootsvoets.
- ◆ Draag een lange broek om uw benen te beschermen.

Gebruiken van de machine

- ◆ Blijf oplettend. Houd uw aandacht bij uw werk. Ga met verstand te werk.
- ◆ Gebruik het instrument niet als u niet geconcentreerd bent.
- ◆ Indien de machine ongewoon gaat trillen, dient u hem onmiddellijk uit te schakelen. Laat roterende onderdelen tot stilstand komen alvorens de machine op beschadigingen en losgeraakte onderdelen te controleren.

Veiligheid van anderen

- ◆ Verbied kinderen en personen die niet van de inhoud van deze handleiding op de hoogte zijn het gebruik van deze machine.
- ◆ Houd kinderen, bezoekers en dieren buiten het werkgebied en laat ze het instrument niet aanraken.
- ◆ Onthoud dat de gebruiker verantwoordelijk kan worden gesteld voor ongelukken of gevaren aan andere mensen of hun eigendommen.

Dit apparaat is niet bedoeld voor gebruik door personen (inclusief kinderen) met beperkt lichamelijk, zintuigelijk of geestelijk vermogen, of gebrek aan ervaring en kennis, tenzij ze de supervisie of instructie is gegeven omtrent het gebruik van het apparaat door een persoon die verantwoordelijk is voor hun veiligheid. Houd toezicht op kinderen om te voorkomen dat zij met het apparaat gaan spelen.

Na gebruik

- ◆ Schakel de machine uit en vergewis u ervan dat de bewegende delen tot stilstand zijn gekomen alvorens u de machine zonder toezicht achterlaat of enig onderdeel van de machine verwisselt, reinigt of controleert.
- ◆ Indien niet in gebruik, dient de machine te worden opgeborgen op een droge plaats. Kinderen mogen geen toegang hebben tot opgeborgen machines.

Inspectie en reparatie

- ◆ Controleer de machine voor gebruik op beschadigde of defecte onderdelen. Controleer of alle bewegende delen correct gemonteerd zijn, of er geen onderdelen gebroken zijn, of er geen beschermkappen en schakelaars beschadigd zijn en of er geen andere gebreken zijn de werking van het apparaat zouden kunnen beïnvloeden.
- ◆ Gebruik het instrument niet als enig onderdeel defect is. Gebruik de machine niet als de aan/uit-schakelaar niet werkt.
- ◆ Gebruik de machine nooit als een beveiliging of afdekking beschadigd is of ontbreekt.
- ◆ Vergewis u er van dat het instrument correct werkt.
- ◆ Defecte onderdelen dienen door een erkend servicecentrum te worden gerepareerd of vervangen.
- ◆ Probeer nooit om enig onderdeel anders dan in deze handleiding beschreven te verwijderen of te vervangen.

Aanvullende veiligheidsvoorschriften voor accu's en opladers

Accu's

- ◆ Probeer nooit een accu te openen.
- ◆ Stel de accu niet aan water bloot.
- ◆ Stel de accu niet aan warmtebronnen bloot.
- ◆ Bewaar accu's niet op plaatsen waar de temperatuur hoger kan worden dan 40 °C.

- ◆ Laad accu's uitsluitend op bij een omgevingstemperatuur tussen 10 °C en 40 °C.
- ◆ Laad accu's uitsluitend op met behulp van de meegeleverde oplader.
- ◆ Volg bij het weggooiën van accu's de instructies in de paragraaf "Milieu" op.
- ◆ Beschadig en vervorm de accu niet door het lek prikken en door botsing, omdat dit letsel en brandgevaar op kan leveren.
- ◆ Laad geen beschadigde accu's op.



Houd mensen en dieren tenminste 6 m uit de buurt van de snijdraad.



Stel het apparaat niet bloot aan regen.

- ◆ Zorg dat u bekend bent met de bedieningsonderdelen en het juiste gebruik van de machine.
- ◆ Werk apparaat alleen bij daglicht of goede kunstmatige verlichting met het apparaat.
- ◆ Draag stevige schoenen of laarzen om uw voeten te beschermen.
- ◆ Draag een lange broek om uw benen te beschermen.
- ◆ Controleer voordat u de machine in gebruik neemt of er geen stokjes, steentjes, draad en andere obstakels op het te bewerken oppervlak liggen.
- ◆ Gebruik de machine alleen in rechtopstaande positie, met het snijdraad in de buurt van de grond. Schakel de machine nooit in een andere positie in.
- ◆ Beweeg langzaam wanneer u de machine gebruikt. Houd er rekening mee dat pas gemaaid gras vochtig en glad is.
- ◆ Werk niet op steile hellingen. Bewerk taluds in stroken van links naar rechts, niet van boven naar beneden.
- ◆ Steek nooit grindpaden of -wegen over terwijl de machine is ingeschakeld.
- ◆ Raak nooit de snijdraad aan terwijl de machine is ingeschakeld.
- ◆ Zet de machine niet neer voordat de snijdraad volledig tot stilstand is gekomen.
- ◆ Gebruik uitsluitend het geschikte type snijdraad. Gebruik nooit snijdraad van metaal of vislijn.
- ◆ Voorkom aanraking van het snijmes.
- ◆ Houd altijd en handen en voeten uit de buurt van de snijdraad, vooral bij het inschakelen van de machine.



Waarschuwing! De snijelementen blijven draaien door nadat de machine is uitgeschakeld.

- ◆ Gebruik de machine nooit met beschadigde beschermkappen of zonder dat beschermkappen zijn aangebracht.
- ◆ Zorg er altijd voor dat de ventilatieopeningen vrij zijn van afval.

Elektrische veiligheid



Uw oplader is dubbel geïsoleerd. Een aarddraad is daarom niet vereist. Controleer of de ingangsspanning van de oplader overeenkomt met de netspanning. Vervang de oplader nooit door een netstekker.

Opladers

Waarschuwing! Uw oplader is ontwikkeld voor een bepaalde spanning. Controleer altijd of de netspanning overeenkomt met het voltage op het typeplaatje.

- ◆ Gebruik uw Black & Decker oplader uitsluitend voor het opladen van accu's van het meegeleverde type. Andere accu's kunnen scheuren en zo letsel en materiële schade veroorzaken.
- ◆ Probeer nooit niet-oplaadbare accu's op te laden.
- ◆ Laat een beschadigd netsnoer vervangen door de fabrikant of een erkend Black & Decker Servicecentrum om gevaren te voorkomen.
- ◆ Stel de oplader niet aan water bloot.
- ◆ Open de oplader niet.
- ◆ Doorboor de oplader niet.

De oplader is voorzien van de volgende pictogrammen:



Uw oplader is dubbel geïsoleerd; een aardaansluiting is daarom niet noodzakelijk. Controleer altijd of de netspanning overeenkomt met het voltage op het typeplaatje. Vervang de oplader nooit door een netstekker.



De oplader is uitsluitend bedoeld voor gebruik binnenshuis.



Lees voor gebruik de gebruiksaanwijzing.



Laad accu's uitsluitend op bij een omgevingstemperatuur tussen 10 °C en 40 °C.

Aanvullende veiligheidsinstructies voor strimmers

Het apparaat is voorzien van de volgende pictogrammen:



Draag een veiligheidsbril als u deze machine bedient.



Waarschuwing! Het snijdraad draait nog een aantal seconden rond nadat de machine is uitgeschakeld. Probeer nooit om het draad zelf tot stilstand te brengen.

Onderdelen

1. Aan/uit-schakelaar
2. Ontgrendelingsknop
3. Hoofdhandgreep
4. Extra handgreep
5. Instelknop handgreep
6. Instelkraag voor handgreep
7. Instelkraag voor bedrijfsmodus
8. Motorhuis
9. Beschermkap
10. Snijmes
11. Kantengeleider
12. Spoelbehuizing
13. Snijdraad
14. Accu

Fig. A

15. Oplader
16. Opladindicator

Montage

Waarschuwing! Neem voor de montage de accu van de machine.

Aanbrengen en verwijderen van de accu (fig. B)

- ◆ Om de accu (14) aan te brengen, houdt u hem voor de houder in de machine. Schuif de accu in de houder en duw deze aan totdat hij vastklikt.
- ◆ Druk om de batterij te verwijderen de ontgrendelingsknop (17) in en trek tegelijkertijd de batterij uit de houder.

Monteren van de beschermkap (fig. C)

- ◆ Plaats de pen (18) van de beschermkap in het gat (19).
- ◆ Plaats de tong (20) in de sleuf (21) tot deze op de plaats vergrendelt.
- ◆ Plaats de schroef (22) en draai de schroef vast.

Aanbrengen van de beschermkap (fig. D)

Waarschuwing! Gebruik de machine nooit met beschadigde beschermkappen of schilden of zonder dat beschermkappen of schilden zijn aangebracht.

- ◆ Breng de beschermkap (9) op de machine aan zoals afgebeeld. De gaten (23) dienen over de nokken (24) op de machine te vallen.
- ◆ Duw de beschermkap aan totdat hij op zijn plaats klikt (A).
- ◆ Duw de beschermkap naar voren (B).
- ◆ Draai de schroeven (25) zorgvuldig aan.

Waarschuwing! Gebruik de machine nooit zonder dat de beschermkap naar behoren is aangebracht.

Aanbrengen van een nieuwe draadspoel (fig. E)

Vervangende draadspoelen zijn verkrijgbaar bij uw Black & Decker-dealer (catalogusnr. A6481).

- ◆ Houd de lippen (26) op het spoeldeksel (27) ingedrukt en verwijder het spoeldeksel van de behuizing (12).
- ◆ Verwijder de lege spoel (28) uit de behuizing.
- ◆ Verwijder vuil en gras uit de behuizing.
- ◆ Neem de nieuwe spoel en rol ca. 12 cm snijdraad af.
- ◆ Voer het snijdraad door het draadgat (29).
- ◆ Druk de spoel op de aandrijfas (30) en draai hem een beetje totdat hij vastzit. Zorg dat het snijdraad niet onder de spoel geklemd zit en dat 10-12 cm snijdraad uit de behuizing steekt.
- ◆ Houd de lippen op de draadspoel voor de gaten in de behuizing.
- ◆ Druk het deksel op de behuizing totdat het op zijn plaats klikt.

Waarschuwing! Knip het snijdraad af als het verder dan het snijmes (10) uitsteekt zodat het draad het mes niet raakt.

Winden van nieuwe draad op een lege spoel (fig. F - H)

U kunt nieuwe snijdraad op een lege spoel winden.

Vervangende snijdraad is verkrijgbaar bij uw Black & Decker-dealer (catalogusnr. A6170 (25 m), A6171 (40 m)).

- ◆ Verwijder de lege spoel uit de machine zoals hierboven beschreven.
- ◆ Verwijder de oude snijdraad uit de spoel (31) (fig. F).
- ◆ Voer 2 cm snijdraad in een van de gaten (32) in de spoel zoals afgebeeld (fig. G).
- ◆ Buig het snijdraad om en veranker het in de L-vormige sleuf (33).
- ◆ Wind het snijdraad op de spoel in de richting van de pijl. Zorg dat de draad netjes in lagen op de spoel wordt gewonden. Niet kriskras opwinden (fig. H).
- ◆ Knip het snijdraad door zodra het opgewonden draad tot de uitsparingen (34) komt. Laat de draad vanaf de spoel ca. 12 cm uitsteken en houd een vinger op de draad om hem op zijn plaats te houden (fig. F).
- ◆ Ga verder te werk zoals hierboven beschreven om de spoel op de machine aan te brengen.

Waarschuwing! Gebruik uitsluitend het geschikte type Black & Decker-snijdraad.

Overige risico's.

Er kunnen zich tijdens het gebruik van het gereedschap ook andere risico's voordoen die misschien niet in de bijgevoegde veiligheidswaarschuwingen worden vermeld. Deze risico's kunnen zich voordoen als gevolg van onoordeelkundig gebruik, langdurig gebruik, enz.

Zelfs als de veiligheidsvoorschriften in acht worden genomen en de veiligheidsvoorzieningen worden geïmplementeerd, kunnen bepaalde risico's niet worden vermeden. Deze omvatten:

- ◆ **Verwondingen die worden veroorzaakt door het aanraken van draaiende of bewegende onderdelen.**

- ◆ **Verwondingen die worden veroorzaakt bij het vervangen van onderdelen, bladen of accessoires.**
- ◆ **Verwondingen die worden veroorzaakt door langdurig gebruik van het gereedschap. Als u langere periodes met het gereedschap werkt, is het raadzaam om regelmatig een pauze in te lassen.**
- ◆ **Gehoorschadiging.**
- ◆ **Gezondheidsrisico's als gevolg van het inademen van stof dat door gebruik van het gereedschap wordt veroorzaakt (bijvoorbeeld tijdens het werken met hout, vooral eiken, beuken en MDF.)**

Gebruik

Waarschuwing! Laat de machine op haar eigen tempo werken. Niet overbelasten.

Opladen van de accu (fig. A)

Waarschuwing! Laad de accu niet op bij omgevingstemperaturen onder 4 °C of boven 40 °C. Aanbevolen oplaadtemperatuur: ca. 24 °C.

Opmerking: De oplader laadt de accu niet op als de celtemperatuur lager is dan ongeveer 0 °C of hoger is dan 60 °C. De accu kan in de oplader gelaten worden en de oplader begint automatisch met opladen wanneer de celtemperatuur omhoog of omlaag gaat.

- ◆ Steek de stekker van de oplader (15) in het stopcontact en schakel het apparaat in.
- ◆ Steek de accu (14) in het oplaadstation. Verzeker u ervan dat de accu volledig in de oplader (15) is geplaatst.

De oplaadindicator (16) knippert onafgebroken (langzaam). Het opladen is voltooid wanneer de oplaadindicator (16) onafgebroken brandt. De oplader en de accu kunnen onbeperkt verbonden worden met verlichte LED. De LED begint te knipperen (opladen) wanneer de oplader van tijd tot tijd de lading van de accu aftopt. De oplaadindicator (16) zal gaan branden zolang de accu is aangesloten aan de oplader in het stopcontact.

- ◆ Laad ontladen accu's op binnen 1 week. De levensduur van de accu's wordt sterk verminderd als de accu's in ontladen toestand worden opgeslagen.

Oplaadindicatoren

De oplaadindicator (16) gaat snel knipperen als de oplader een probleem met de accu detecteert. Ga als volgt te werk:

- ◆ Plaats de accu (14) opnieuw.
- ◆ Gebruik een andere accu om te bepalen of het oplaadproces naar behoren verloopt als de oplaadindicatoren onafgebroken snel knipperen.
- ◆ De originele accu is defect en moet teruggebracht worden naar een servicecentrum voor verwerking als de vervangen accu correct oplaadt.

- ◆ Laat de oplader testen bij een erkend servicecentrum als bij de nieuwe accu hetzelfde probleem ontstaat als bij de originele accu.

Opmerking: Het kan minstens 15 minuten duren om te bepalen of de accu defect is. De LED knippert afwisselend snel en langzaam, een knippering bij elke snelheid en herhaling, als de accu te warm of te koud is.

Instellen van de stand van de extra handgreep (fig. I)

De extra handgreep (4) kan worden ingesteld voor een optimaal evenwicht en comfort.

- ◆ Laat de beschermkap (9) op de grond rusten.
- ◆ Draai de instelknop (5) los.
- ◆ Beweeg de handgreep naar de gewenste stand.
- ◆ Draai de instelknop zorgvuldig vast.

Instellen van de hoogte (fig. J)

Met de telescopische steel (35) kunt u de machine op een comfortabele hoogte instellen.

- ◆ Draai de kraag (6) los.
- ◆ Schuif de steel uit om de hoogte te vergroten.
- ◆ Schuif de steel in om de hoogte te verkleinen.
- ◆ Draai de kraag vast.

Aan- en uitschakelen (fig. K)

Voor uw veiligheid is deze machine uitgevoerd met een dubbel schakelsysteem. Dit systeem voorkomt onverwachts inschakelen van de machine.

Inschakelen

- ◆ Duw de ontgrendelingsknop (2) naar achteren met uw duim en knijp op hetzelfde moment de aan/uit-schakelaar (1) in.
- ◆ Laat de ontgrendelingsknop los.

Uitschakelen

- ◆ Laat de aan/uit-schakelaar (1) los.

Waarschuwing! Probeer nooit om de schakelaar in de ingeschakelde stand te vergrendelen.

Instellen van de machine voor strimmen of graskantsnijden (fig. L - N)

De machine kan worden gebruikt voor strimmen zoals afgebeeld in fig. L, of voor graskantsnijden om overhangend gras langs graskanten en bloembedden te strimmen zoals afgebeeld in fig. M.

Strimmen (fig. L & N)

Voor strimmen staat de strimkop in de stand zoals afgebeeld in fig. L. Indien dit niet het geval is:

- ◆ Terwijl u de extra handgreep met de ene hand vasthoudt, neemt u de kraag (7) in de andere hand zoals afgebeeld (fig. L).

- ◆ Duw de kraag in de richting van de strimkop en draai hem linksom totdat de strimkop in de strimstand klikt (fig. N).
- ◆ Laat de kraag los.
- ◆ Zet de kantengeleider (11) in de teruggetrokken stand.

Graskantsnijden (fig. M & N)

Voor graskantsnijden staat de strimkop in de stand zoals afgebeeld in fig. M. Indien dit niet het geval is:

- ◆ Terwijl u de extra handgreep met de ene hand vasthoudt, neemt u de kraag (7) in de andere hand zoals afgebeeld (fig. M).
- ◆ Duw de kraag in de richting van de strimkop en draai hem rechtsom totdat de strimkop in de stand voor graskantsnijden klikt (fig. N).
- ◆ Laat de kraag los.
- ◆ Zet de kantengeleider (11) in de teruggetrokken stand.

Tips voor optimaal gebruik (fig. L)

Strimmen

- ◆ Houd de machine vast zoals afgebeeld in fig. L.
- ◆ Zwaai de strimmer langzaam heen en weer zoals afgebeeld in fig. L.
- ◆ Werk bij het maaien van lang gras laag voor laag af vanaf de bovenkant.
- ◆ Houd het apparaat uit de buurt van harde voorwerpen en fijne beplanting.
- ◆ Verminder de belasting als het apparaat langzamer gaat draaien.

Graskantsnijden

De beste resultaten worden bereikt op kanten die dieper zijn dan 50 mm.

- ◆ Gebruik de machine niet voor het maken van kanten. Gebruik een spade om kanten te maken.
- ◆ Voer de machine langs de graskant zoals afgebeeld in fig. L. Houd de kantengeleider tegen de graskant.
- ◆ Houd de machine een beetje schuin om nauwkeuriger te snijden.

Algemeen

- ◆ Voor een optimaal resultaat kunt u het beste alleen droog gras bewerken.
- ◆ Houd indien mogelijk de accu op de oplader aangesloten en de oplader in het stopcontact zolang het apparaat niet wordt gebruikt.

Onderhoud

Uw Black & Decker apparaat is ontworpen om gedurende een lange periode te functioneren met een minimum aan onderhoud. Blijvende tevredenheid over het gebruik is afhankelijk van correct onderhoud en regelmatig schoonmaken.

Uw oplader behoeft geen ander onderhoud dan een regelmatige reiniging.

Waarschuwing! Verwijder de accu van het apparaat alvorens onderhoudswerkzaamheden uit te voeren. Haal voor het reinigen van de oplader de stekker uit het stopcontact.

- ◆ Ontkoppel na gebruik de accu en controleer de machine op schade.
- ◆ Reinig regelmatig de ventilatieopeningen van de machine en oplader met behulp van een zachte borstel of een droge doek.
- ◆ Reinig regelmatig de behuizing van de motor met een vochtige doek. Gebruik geen schuur- of oplosmiddel bij het reinigen.
- ◆ Reinig regelmatig het snijdraad en de spoel met een zachte borstel of een droge doek.
- ◆ Gebruik regelmatig een botte krabber om gras en vuil uit de beschermkap te verwijderen.

Berging

Laat bij voorkeur de accu op de oplader aangesloten als het apparaat een aantal maanden niet wordt gebruikt. Ga anders als volgt te werk:

- ◆ Laad de accu volledig op.
- ◆ Verwijder de accu uit het apparaat.
- ◆ Berg het apparaat en accu op een veilige en droge plaats op. De temperatuur in de opbergruimte dient altijd tussen +5 °C en +40 °C te blijven. Plaats de accu op een egaal oppervlak.
- ◆ Laad de accu weer volledig op voordat u het apparaat na langere periode van berging gaat gebruiken.

Storingen verhelpen

Indien uw machine niet naar behoren functioneert, volg dan onderstaande instructies. Als hierdoor het probleem niet wordt opgelost, kunt u contact opnemen met uw plaatselijke Black & Decker servicecentrum.

Waarschuwing! Neem voor de werkzaamheden de accu van de machine.

Machine draait langzaam

- ◆ Controleer of de behuizing van de spoel vrij kan ronddraaien. Maak indien nodig de behuizing schoon.
- ◆ Controleer of de snijdraad niet meer dan 10-12 cm uitsteekt vanaf de behuizing van de spoel. Knip indien dit wel het geval is de draad af zodat hij net het snijmes raakt.

Automatische draadvoeding werkt niet

- ◆ Houd de lippen ingedrukt en verwijder het spoeldekseel van de behuizing.
- ◆ Licht de spoel ca. 6 mm op en trek aan de snijdraad totdat deze 10-12 cm uitsteekt vanaf de behuizing. Plaats een

nieuwe spoel met snijdraad (zie bovenstaande instructies) indien er onvoldoende snijdraad op de spoel is overgebleven.

- ◆ Druk de spoel op zijn plaats terug en draai hem een beetje totdat hij vastzit.
- ◆ Houd de lippen op de draadspoel voor de gaten in de behuizing.
- ◆ Druk het deksel op de behuizing totdat het netjes op zijn plaats klikt.
- ◆ Knip de snijdraad af als hij verder dan het snijmes uitsteekt zodat de draad het mes niet raakt.

Indien de automatische draadvoeding nog steeds niet werkt, probeer dan de volgende suggesties:

- ◆ Reinig zorgvuldig de behuizing van de spoel.
- ◆ Verwijder de spoel en controleer of de hefboom vrij kan bewegen.
- ◆ Verwijder de spoel en wikkel de snijdraad af, wind het daarna weer netjes op de spoel zoals hierboven beschreven. Plaats de spoel terug volgens instructies.

Spoel is vastgelopen

- ◆ Houd de lippen ingedrukt en verwijder het spoeldeksel van de behuizing.
- ◆ Reinig zorgvuldig de behuizing van de spoel.
- ◆ Druk het deksel op de behuizing totdat het netjes op zijn plaats klikt.

Milieu



Gescheiden inzameling. Dit product mag niet met het gewone huishoudelijke afval worden weggegooid.

Wanneer uw oude Black & Deckerproduct aan vervanging toe is of het u niet langer van dienst kan zijn, gooi het dan niet bij het huishoudelijk afval. Zorg ervoor dat het product gescheiden kan worden ingezameld.



Door gebruikte producten en verpakkingen gescheiden in te zamelen, worden de materialen gerecycled en opnieuw gebruikt. Hergebruik van gerecyclede materialen voorkomt milieuvuiling en vermindert de vraag naar grondstoffen.

Inzamelpunten voor gescheiden inzameling van elektrische huishoudproducten bij gemeentelijke vuilnisbergen of bij de verkoper waar u een nieuw product koopt, kunnen aan plaatselijke voorschriften gebonden zijn.

Black & Decker biedt de mogelijkheid tot inzamelen en recyclen van afgedankte Black & Decker producten. Om gebruik van deze service te maken, dient u het product

aan een van onze servicecentra te sturen, die voor ons de inzameling verzorgen.

U kunt het adres van het dichtstbijzijnde servicecentrum opvragen via de adressen op de achterzijde van deze handleiding. U kunt ook een lijst van onze servicecentra en meer informatie m.b.t. onze klantenservice vinden op het volgende Internet-adres: www.2helpU.com

Accu's



Black & Decker accu's kunnen vele malen opnieuw worden opgeladen. Versleten accu's dienen op milieubewuste wijze te worden verwijderd:

- ◆ Gebruik de energie van de accu helemaal op en verwijder hem dan van de machine.
- ◆ NiCd-, NiMH- en Li-Ion-accu's zijn te recyclen. Breng ze naar een servicecentrum of naar een plaatselijk verwerkingscentrum voor klein chemisch afval.

Technische gegevens

	GLC2500L (H2)
Spanning	V _{DC} 18
Onbelast toerental	min ⁻¹ 6.800
Gewicht	kg 3,2

	A1518L
Spanning	V _{DC} 18
Capaciteit	Ah 1,5
Gewicht	kg 0,8

	9053954*
Spanning	V _{AC} 230
Ingangsspanning	V _{DC} 21
Amperage	A 1,9
Gemiddelde oplaadtijd	h 1
Gewicht	kg 0,5

Totale trillingswaarden (triaxale vectorsom) volgens EN 786:
Trillingsafgifte (ah) (a_r) 4 m/s², onzekerheid (K) 1,5 m/s²

EG-conformiteitsverklaring

MACHINERICHTLIJN
RICHTLIJN GELUID BUITENSHUIS



GLC2500L

Black & Decker verklaart dat deze producten, zoals onder "technische gegevens" beschreven, overeenkomstig zijn met: 2006/42/EG, EN 60335-1, EN 60335-2-91

2000/14/EG, Grastrimmer, $L \leq 50$ cm, Bijlage VIII
KEMA Quality B.V., Utrechtseweg 310, 6802 ED Arnhem,
Nederland
Notified Body ID No.: 0344

Niveau van het geluidsvermogen volgens 2000/14/EG
(Artikel 12, Bijlage III, $L \leq 50$ cm):
 L_{WA} (gemeten geluidsvermogen) 95 dB(A)
onzekerheid (K) = 3 dB(A)
 L_{WA} (gegarandeerd geluidsvermogen) 96 dB(A)
onzekerheid (K) = 3 dB(A)

Deze producten zijn ook in overeenstemming met richtlijn 2004/108/EG. Neem voor meer informatie contact op met Black & Decker via het volgende adres of zie de achterzijde van de handleiding.

De ondergetekende is verantwoordelijk voor de samenstelling van de technische gegevens en geeft deze verklaring namens Black & Decker.

Kevin Hewitt
Vice-President Global Engineering
Black & Decker Europe, 210 Bath Road, Slough,
Berkshire, SL1 3YD
Verenigd Koninkrijk
21/01/2010

Garantie

Black & Decker heeft vertrouwen in zijn producten en biedt een uitstekende garantie. Deze garantiebepalingen vormen een aanvulling op uw wettelijke rechten en beperken deze niet. De garantie geldt in de lidstaten van de Europese Unie en de Europese Vrijhandelsassociatie.

Mocht uw Black & Decker product binnen 24 maanden na datum van aankoop defect raken tengevolge van materiaal- of constructiefouten, dan garanderen wij de kosteloze vervanging van defecte onderdelen, de reparatie van het product of de vervanging van het product, tenzij:

- ◆ Het product is gebruikt voor handelsdoeleinden, professionele toepassingen of verhuurdoeleinden;
- ◆ Het product onoordeelkundig is gebruikt;
- ◆ Het product is beschadigd door invloeden van buitenaf of door een ongeval;
- ◆ Reparaties zijn uitgevoerd door anderen dan onze servicecentra of Black & Decker personeel.

Om een beroep op de garantie te doen, dient u een aankoopbewijs te overhandigen aan de verkoper of een van onze servicecentra. U kunt het adres van het dichtstbijzijnde servicecentrum opvragen via de adressen op de achterzijde van deze handleiding. U kunt ook een lijst van onze servicecentra en meer informatie m.b.t. onze klantenservice vinden op het volgende Internet-adres: **www.2helpU.com**

Meld u aan op onze website **www.blackanddecker.nl** om te worden geïnformeerd over nieuwe producten en speciale aanbiedingen. Verdere informatie over het merk Black & Decker en onze producten vindt u op **www.blackanddecker.nl**

Finalidad

Su recortabordes Black & Decker está diseñado para recortar y rematar bordes de césped y para cortar el césped en espacios reducidos. Esta herramienta está pensada únicamente para uso doméstico.

Su cargador Black & Decker está diseñado para cargar baterías Black & Decker del tipo suministrado con la herramienta.

Instrucciones de seguridad

Generalidades



¡Atención! Cuando use herramientas alimentadas por pila, debe adoptar siempre las precauciones de seguridad básicas, incluidas las siguientes, a fin de reducir el riesgo de incendio, pérdida del líquido de las pilas, lesiones personales y daños materiales.

- ◆ Lea completamente este manual antes de utilizar la herramienta.
- ◆ Antes de poner en marcha la herramienta, compruebe que sabe cómo desconectarla en caso de emergencia.
- ◆ En este manual se explica el uso previsto para este aparato. El uso de otros accesorios, adaptadores, o la propia utilización de la herramienta en cualquier forma diferente de las recomendadas en este manual de instrucciones puede constituir un riesgo de lesiones a las personas.
- ◆ Conserve este manual a mano para consultas posteriores.

Área de trabajo

- ◆ No exponga la herramienta a la lluvia.
- ◆ No use la herramienta en ambientes húmedos o mojados.
- ◆ Utilice la herramienta sólo a la luz del día o con una buena iluminación artificial.

Protección personal

- ◆ Lleve zapatos resistentes o botas para protegerse los pies.
- ◆ No trabaje con esta herramienta cuando tenga puestas sandalias en las que queden expuestos los dedos de los pies, ni cuando esté descalzo.
- ◆ Lleve pantalones largos para protegerse las piernas.

Uso de la herramienta

- ◆ Esté siempre alerta. Mire lo que está haciendo. Use el sentido común.
- ◆ No maneje la herramienta si está cansado.
- ◆ Si la herramienta comienza a vibrar anormalmente, desconéctela. Espere hasta que se hayan detenido completamente las partes rotatorias, e inspeccione la herramienta en búsqueda de piezas dañadas o flojas.

Seguridad de otras personas

- ◆ No deje que el aparato sea utilizado por niños o por personas que no estén familiarizadas con el uso del mismo.
- ◆ No permita que niños, otras personas o animales se acerquen al área de trabajo o toquen la herramienta.
- ◆ Recuerde que el operador es responsable de los accidentes o daños ocasionados a otras personas o a sus pertenencias.

Este aparato no está destinado para ser utilizado por personas (niños incluidos) con capacidades físicas, sensoriales o mentales reducidas, o que carezcan de experiencia y conocimiento, a menos que reciban supervisión o instrucción respecto al uso del aparato por una persona responsable de su seguridad. Debe vigilarse a los niños para asegurarse de que no jueguen con el aparato.

Cuando acabe de utilizar el aparato

- ◆ Apáguelo y asegúrese de que todas las piezas rotatorias se hayan detenido completamente antes de dejar la herramienta desatendida y antes de cambiar, limpiar o inspeccionar cualquiera de las piezas de la misma.
- ◆ Cuando no esté siendo utilizada, la herramienta debe almacenarse en un lugar seco. Los niños no deben tener acceso a las herramientas almacenadas.

Inspección y reparaciones

- ◆ Antes de utilizarla, revise la herramienta para ver si está dañada o tiene piezas defectuosas. Compruebe que no existan piezas móviles mal alineadas o atascadas, piezas quebradas, protectores o interruptores dañados o cualquier otro condicionante que pueda afectar al funcionamiento correcto del aparato.
- ◆ No use la herramienta si hay alguna pieza defectuosa o averiada. No utilice la herramienta si no es posible apagar y encender el interruptor.
- ◆ No utilice nunca la herramienta cuando cualquiera de sus cubiertas protectoras o carcasas esté dañada o fuera de su lugar.
- ◆ Asegúrese de que la herramienta funcione adecuadamente y cumpla con el cometido para el que ha sido diseñada.
- ◆ Encargue al servicio técnico autorizado que repare o sustituya las piezas defectuosas o averiadas.
- ◆ No intente nunca extraer o sustituir ninguna de las piezas que no sean las especificadas en este manual.

Instrucciones de seguridad adicionales para baterías y cargadores

Baterías

- ◆ Nunca, por ningún motivo, trate de abrir las baterías.

- ◆ No exponga la batería al agua.
- ◆ No exponga la batería al calor.
- ◆ No las almacene en lugares donde la temperatura pueda superar los 40 °C.
- ◆ Cargue las baterías únicamente a temperaturas entre 10 °C y 40 °C.
- ◆ Recargue utilizando únicamente el cargador suministrado con la herramienta.
- ◆ Cuando deseche las baterías, siga las instrucciones indicadas en la sección "Protección del medio ambiente".
- ◆ No dañe ni deforme la batería mediante perforaciones o impactos, ya que esto puede generar un riesgo de lesiones e incendio.
- ◆ No cargue una batería que haya sufrido daños.



Lleve gafas protectoras cuando utilice esta herramienta.



¡Atención! El hilo de corte continuará funcionando durante unos segundos después de desconectar la herramienta. Nunca intente forzar la parada del hilo de corte.



Mantenga a las personas y animales a una distancia mínima de 6 m del área de corte.



No exponga la herramienta a la lluvia o a una humedad elevada.

Cargadores

¡Atención! El cargador ha sido diseñado para una tensión determinada. Compruebe siempre que la tensión de la red corresponda al valor indicado en la placa de características.

- ◆ Use el cargador Black & Decker únicamente para cargar baterías del tipo suministrado. Otras baterías podrían estallar, causando daños y lesiones personales.
- ◆ Nunca intente cargar baterías no recargables.
- ◆ Si el cable eléctrico está estropeado, debe ser sustituido por el fabricante o un servicio técnico autorizado de Black & Decker con el fin de evitar accidentes.
- ◆ No exponga el cargador al agua.
- ◆ No abra el cargador.
- ◆ No manipule el cargador.

Encontrará los siguientes símbolos en el cargador:



El cargador lleva un doble aislamiento; por lo tanto no requiere una toma a tierra. Compruebe siempre que la tensión de la red corresponda al valor indicado en la placa de características. No intente nunca sustituir el cargador por un enchufe normal a la red.



El cargador está pensado únicamente para su uso en interiores.



Antes de la utilización, lea el manual de instrucciones.



Cargue las baterías únicamente a temperaturas entre 10 °C y 40 °C.

Instrucciones de seguridad adicionales para recortabordes

Encontrará los siguientes símbolos de advertencia en la herramienta:



¡Atención! Los elementos de corte continúan girando después de desconectar la herramienta.

- ◆ Nunca accione la herramienta con las protecciones dañadas o sin que estén colocadas en su posición.
- ◆ Compruebe siempre que las ranuras de ventilación estén libres de residuos.

Seguridad eléctrica



Su cargador tiene doble aislamiento; por consiguiente, no se requiere conexión a tierra. El cargador ha sido diseñado para un solo voltaje. Compruebe siempre que el voltaje de la red corresponde al valor indicado en la placa de características. No intente nunca sustituir el cargador por un enchufe normal a la red.

Características

1. Interruptor de encendido/apagado
2. Botón de desbloqueo
3. Mango principal
4. Empuñadura secundaria
5. Pomo del mango
6. Collarín de ajuste del mango
7. Collarín de ajuste de modo
8. Carcasa del motor
9. Protector
10. Hoja ribeteadora
11. Guía para rebordar
12. Alojamiento de la bobina
13. Hilo de corte
14. Batería

Fig. A

15. Cargador
16. Indicador de carga

Montaje

¡Atención! Antes de proceder al montaje, extraiga siempre la batería.

Colocación y extracción de la batería (fig. B)

- ◆ Para introducir la batería (14), colóquela en línea con el alojamiento sobre la herramienta. Introduzca la batería en el alojamiento y empujela hasta que encaje en su sitio.
- ◆ Para quitar la batería, presione el botón liberador (17) al tiempo que extrae la batería de su alojamiento.

Montaje de la protección (fig. C)

- ◆ Coloque el pasador (18) de la protección en el orificio (19).
- ◆ Introduzca la lengüeta (20) en la ranura (21) hasta que encaje en su posición.
- ◆ Introduzca el tornillo (22) y apriételo.

Instalación de la protección (fig. D)

¡Atención! Nunca ponga en funcionamiento la herramienta si los protectores o blindajes están dañados o no están instalados.

- ◆ Coloque el protector (9) en la herramienta como se indica, alineando los agujeros (23) con las orejetas (24) de la herramienta.
- ◆ Presione la protección hasta que encaje en su sitio (A).

- ◆ Empuje la protección hacia adelante (B).
- ◆ Apriete firmemente los tornillos (25).

¡Atención! No utilice nunca la herramienta sin el protector debidamente montado en su sitio.

Colocación de una nueva bobina de hilo de corte (fig. E)

Encontrará bobinas de hilo de corte de repuesto en su concesionario Black & Decker (cat. no. A6481).

- ◆ Mantenga los topes (26) de la bobina de hilo (27) presionados y retire la tapa de la bobina del alojamiento (12).
- ◆ Retire la bobina de hilo vacía (28) de su alojamiento.
- ◆ Retire la suciedad o residuos del alojamiento.
- ◆ Tome la nueva bobina y desenrolle unos 12 cm de hilo de corte.
- ◆ Introduzca el hilo de corte a través del ojal (29).
- ◆ Introduzca la bobina en el eje de accionamiento (30) y gírela ligeramente hasta que quede asentada. Asegúrese de que el hilo de corte no queda atrapado bajo la bobina y de que unos 10-12 cm del hilo de corte sobresalen del alojamiento.
- ◆ Alinee las pestañas de la tapa de la bobina con los orificios del alojamiento.
- ◆ Empuje la tapa sobre el alojamiento hasta que encaje en su sitio.

¡Atención! Si el cable de corte sobresale más allá de la cuchilla picadora (10), recórtelo de forma tal que solamente llegue hasta la cuchilla.

Enrollado de una nueva línea de corte en una bobina de hilo vacía (fig. F - H)

Se puede enrollar hilo de corte nuevo en una bobina vacía. Su distribuidor Black & Decker dispone de paquetes con hilo de corte de repuesto (no. cat. A6170 (25 m), A6171 (40 m)).

- ◆ Retire la bobina vacía de la herramienta como se ha descrito anteriormente.
- ◆ Extraiga cualquier resto de hilo de corte de la bobina (31) (fig. F).
- ◆ Introduzca unos 2 cm de hilo de corte en uno de los agujeros (32) de la bobina como se indica (fig. G).
- ◆ Doble la línea de corte y fíjela en la ranura en forma de L (33).
- ◆ Enrolle el hilo de corte en la bobina, siguiendo la dirección de la flecha. Asegúrese de enrollar el hilo de corte cuidadosamente, formando capas. Evite que el hilo de corte se entrecruce (fig. H).
- ◆ Cuando la línea de corte enrollada alcance las ranuras (34), córtela. Deje que el hilo de corte sobresalga aprox. unos 12 cm de la bobina y sujételo con un dedo para mantenerlo en su sitio (fig. F).
- ◆ Proceda como se ha descrito anteriormente para colocar la bobina en la herramienta.

¡Atención! Use únicamente el tipo adecuado de hilo de corte Black & Decker.

Riesgos residuales.

El uso de esta herramienta puede producir riesgos residuales adicionales no incluidos en las advertencias de seguridad adjuntas. Estos riesgos se pueden generar por un uso incorrecto, demasiado prolongado, etc.

El cumplimiento de las normas de seguridad correspondientes y el uso de dispositivos de seguridad no evitan ciertos riesgos residuales. Estos riesgos incluyen:

- ◆ **Lesiones producidas por el contacto con piezas móviles o giratorias.**
- ◆ **Lesiones producidas al cambiar cualquier pieza, cuchilla o accesorio.**
- ◆ **Lesiones producidas al usar una herramienta por un tiempo demasiado prolongado. Si utiliza una herramienta durante períodos de tiempo demasiado prolongados, asegúrese de realizar pausas con frecuencia.**
- ◆ **Discapacidad auditiva.**
- ◆ **Riesgos para la salud producidos al respirar el polvo que se genera al usar la herramienta (por ejemplo: en los trabajos con madera, especialmente de roble, haya y tableros de densidad mediana).**

Uso

¡Atención! Deje que la herramienta funcione a su ritmo. No lo sobrecargue.

Carga de la batería (fig. A)

¡Atención! No cargue la batería a una temperatura ambiente inferior a 4 °C o superior a 40 °C. Temperatura recomendada de carga: aprox. 24 °C.

Nota: El cargador no cargará la batería si la temperatura de los elementos es inferior a 0° C o superior a 60° C, aproximadamente. La batería debe dejarse en el cargador y éste empezará a cargarla automáticamente cuando la temperatura de los elementos suba o baje.

- ◆ Enchufe el cargador (15) y conecte la corriente de red.
- ◆ Inserte la batería (14) en el cargador. Compruebe que la batería esté totalmente insertada en el cargador (15).

El indicador de carga (16) parpadeará continuamente (lentamente). La carga es completa cuando el indicador de carga (16) se enciende de forma continua. El cargador y la batería pueden dejarse conectados indefinidamente con el LED encendido. El LED cambiará a un estado intermitente (carga) cuando el cargador termine ocasionalmente la carga de la batería. El indicador de carga (16) permanecerá encendido mientras la batería esté conectada al cargador enchufado.

- ◆ Cargue las baterías descargadas en el plazo de 1 semana. La duración de la batería disminuirá considerablemente si se almacena descargada.

Indicadores de carga

Si el cargador detecta un problema con la batería, el indicador de carga (16) parpadeará rápidamente. Haga lo siguiente:

- ◆ Vuelva a insertar la batería (14).
- ◆ Si los indicadores de carga siguen parpadearando rápidamente, utilice una batería distinta para determinar si el proceso de carga funciona correctamente.
- ◆ Si la nueva batería carga correctamente, la batería original tiene un defecto y debe llevarse a un centro de servicio para que sea reciclada.
- ◆ Si la nueva batería da la misma indicación que la batería original, lleve el cargador a un centro de servicio para que sea probado.

Nota: Puede tardarse hasta 15 minutos en determinar que la batería tiene un defecto. Si la batería está demasiado caliente o demasiado fría, el LED parpadeará de forma rápida y lenta alternativamente, una intermitencia a cada velocidad y repetición.

Ajuste de la posición del mango secundario (fig. I)

El mango secundario (4) puede ajustarse para proporcionar un equilibrio y confort óptimos.

- ◆ Deje que la protección (9) descance en el suelo.
- ◆ Afloje el pomo del mango (5).
- ◆ Mueva el mango a la posición deseada.
- ◆ Apriete firmemente el pomo del mango.

Ajuste de la altura (fig. J)

El eje telescópico (35) le permite ajustar la herramienta a una altura cómoda.

- ◆ Afloje el collarín (6).
- ◆ Para aumentar la altura, deslice el eje hacia fuera.
- ◆ Para reducir la altura, deslice el eje hacia dentro.
- ◆ Apriete el collarín.

Encendido y apagado (fig. K)

Para su seguridad, esta herramienta viene equipada con un sistema de doble interruptor. Este sistema evita que la herramienta se ponga en marcha inesperadamente.

Encendido

- ◆ Pulse el botón de desbloqueo (2) hacia atrás usando el pulgar y al mismo tiempo apriete el interruptor de encendido/apagado (1).
- ◆ Suelte el botón de desbloqueo.

Apagado

- ◆ Suelte el interruptor de encendido/apagado (1).

¡Atención! No intente nunca bloquear el interruptor en la posición de encendido.

Ajuste de la herramienta en modo de recortabordes o ribeteado (fig. L - N)

La herramienta puede usarse en modo de recortabordes como se indica en la fig. L o en modo de ribeteado para

recortar el césped que sobresale de bordes y parterres como se indica en la fig. M.

Modo de recorte de bordes (fig. L & N)

Para recortar, el cabezal del recortabordes debe estar en la posición indicada en la fig. L. Si no lo está:

- ◆ Mientras sujeta el mango secundario con una mano, tome el collarín (7) con la otra como se indica (fig. L).
- ◆ Empuje el collarín en la dirección del cabezal del recortabordes y gírelo en sentido contrario a las agujas del reloj hasta que el cabezal encaje en la posición de recorte (fig. N).
- ◆ Suelte el collarín.
- ◆ Ajuste la guía para ribetear (11) en la posición retrasada.

Modo de ribeteado (fig. M & N)

Para ribetear, el cabezal del recortabordes debe estar en la posición indicada en la fig. M. Si no lo está:

- ◆ Mientras sujeta el mango secundario con una mano, coja el anillo (7) con la otra mano como se indica (fig. M).
- ◆ Empuje el collarín en la dirección del cabezal del recortabordes y gírelo en el sentido de las agujas del reloj hasta que el cabezal encaje en la posición de ribeteado (fig. N).
- ◆ Suelte el collarín.
- ◆ Ajuste la guía para ribetear (11) en la posición retrasada.

Consejos para un uso óptimo (fig. L)

Recorte de bordes

- ◆ Sujete la herramienta tal como se muestra en la fig. L.
- ◆ Gire suavemente la recortadora de un lado a otro como se indica en la fig. L.
- ◆ Cuando corte un césped alto, realice el trabajo por etapas empezando por la parte superior.
- ◆ Mantenga la herramienta alejada de objetos duros y plantas delicadas.
- ◆ Si la herramienta empieza a funcionar lentamente, reduzca la carga.

Ribeteado

Los mejores resultados de corte se consiguen en bordes de profundidad superior a 50 mm.

- ◆ No use la herramienta para crear bordes. Para crear bordes, use una azada ribeteadora.
- ◆ Guíe la herramienta como se indica en la fig. L. Mantenga la guía para ribetear contra los bordes del césped.
- ◆ Para un corte más apurado, incline ligeramente la herramienta.

Generalidades

- ◆ Para lograr un corte óptimo, corte únicamente el césped que esté seco.

- ◆ Siempre que le sea posible, mantenga la batería conectada al cargador y el cargador enchufado mientras no esté usando la herramienta.

Mantenimiento

Su herramienta Black & Decker está diseñada para que funcione durante un largo período de tiempo con un mantenimiento mínimo. El funcionamiento satisfactorio continuado depende de un cuidado apropiado y una limpieza periódica de la herramienta.

Su cargador no requiere ningún mantenimiento aparte de una limpieza periódica.

¡Atención! Antes de efectuar cualquier mantenimiento en la herramienta, retire la batería de la herramienta.

Desenchufe el cargador antes de limpiarlo.

- ◆ Cuando acabe, desconecte la batería y compruebe si la herramienta presenta daños.
- ◆ Limpie periódicamente las ranuras de ventilación de la herramienta y del cargador con un cepillo suave o un paño seco.
- ◆ Limpie periódicamente la carcasa del motor con un paño húmedo. No utilice ninguna sustancia limpiadora abrasiva o que contenga disolventes.
- ◆ Limpie periódicamente el hilo de corte y la bobina con un cepillo suave o un paño seco.
- ◆ Utilice periódicamente un raspador romo para eliminar la hierba y la suciedad existente debajo de la protección.

Almacenamiento

Cuando la herramienta no se usa durante varios meses, resulta muy conveniente dejar la batería conectada al cargador. En caso contrario, proceda del modo siguiente:

- ◆ Cargue totalmente la batería.
- ◆ Extraiga la batería de la herramienta.
- ◆ Guarde la herramienta y la batería en un lugar seco y seguro. La temperatura de almacenamiento siempre debe estar entre +5 °C y +40 °C. Coloque la batería sobre una superficie nivelada.
- ◆ Antes de volver a usar la herramienta tras un almacenamiento prolongado, cargue de nuevo totalmente la batería.

Solución de problemas

Si su herramienta no funciona adecuadamente, siga estas instrucciones. Si esto no soluciona el problema, póngase en contacto con el servicio técnico de Black & Decker de su zona.

¡Atención! Antes de continuar, extraiga la batería de la herramienta.

La herramienta funciona lentamente

- ◆ Compruebe que el alojamiento de la bobina pueda girar libremente. Limpíelo con cuidado si fuera necesario.
- ◆ Compruebe que el hilo de corte no sobresale más de 10-12 cm de la caja de la bobina de hilo. Si así fuera, corte lo que sobre para que llegue justo hasta la hoja ribeteadora.

No funciona el avance automático del hilo de corte.

- ◆ Mantenga presionadas las pestañas y retire la tapa de la bobina del alojamiento.
- ◆ Levante la bobina de hilo aprox. 6 mm y tire del hilo de corte hasta que sobresalga 10-12 cm de la caja. Si no queda suficiente hilo de corte en la bobina, instale uno nuevo como se ha indicado anteriormente.
- ◆ Empuje la bobina de hilo en su sitio y gírela ligeramente hasta que quede acoplada.
- ◆ Alinee las pestañas de la tapa de la bobina con los orificios del alojamiento.
- ◆ Ponga la tapa sobre el alojamiento hasta que encaje firmemente en su posición.
- ◆ Si el hilo de corte sobresale más allá de la hoja ribeteadora, córtelo para que llegue justo hasta la hoja.

Si la alimentación automática del hilo de corte sigue sin funcionar, intente las siguientes sugerencias:

- ◆ Limpie cuidadosamente el alojamiento de la bobina.
- ◆ Retire la bobina de hilo y compruebe si la palanca se mueve libremente.
- ◆ Retire la bobina y desenrolle el hilo de corte, luego enróllelo nuevamente con cuidado como se ha descrito antes. Sustituya la bobina como se indica.

Si la bobina de hilo está atascada

- ◆ Mantenga presionadas las pestañas y retire la tapa de la bobina del alojamiento.
- ◆ Limpie cuidadosamente el alojamiento de la bobina.
- ◆ Ponga la tapa sobre el alojamiento hasta que encaje firmemente en su posición.

Protección del medio ambiente



Separación de desechos. Este producto no debe desecharse con la basura doméstica normal.

Si llega el momento de reemplazar su producto Black & Decker o éste ha dejado de tener utilidad para usted, no lo deseche con la basura doméstica normal. Asegúrese de que este producto se deseche por separado.



La separación de desechos de productos usados y embalajes permite que los materiales puedan reciclarse y reutilizarse. La reutilización

de materiales reciclados ayuda a evitar la contaminación medioambiental y reduce la demanda de materias primas.

La normativa local puede prever la separación de desechos de productos eléctricos de uso doméstico en centros municipales de recogida de desechos o a través del distribuidor cuando adquiere un nuevo producto.

Black & Decker proporciona facilidades para la recogida y el reciclado de los productos Black & Decker que hayan llegado al final de su vida útil. Para hacer uso de este servicio, devuelva su producto a cualquier servicio técnico autorizado, que lo recogerá en nuestro nombre.

Pueden consultar la dirección de su servicio técnico más cercano poniéndose en contacto con la oficina local de Black & Decker en la dirección que se indica en este manual. Como alternativa, puede consultar en Internet la lista de servicios técnicos autorizados e información completa de nuestros servicios de posventa y contactos en la siguiente dirección: www.2helpU.com

Baterías



Las baterías Black & Decker pueden recargarse muchas veces. Cuando se agoten, deséchelas respetando las normas de protección del entorno:

- ◆ Utilice la batería hasta que se agote por completo y luego retírela de la herramienta.
- ◆ Las baterías NiCd, NiMH y Li-Ion son reciclables. Llévelas a cualquier servicio técnico autorizado o a un centro de reciclado.

Características técnicas

GLC2500L	
Voltaje	V _{DC} 18
Velocidad sin carga	min ⁻¹ 6.800
Peso	kg 3,2

Batería A1518L	
Voltaje	V _{DC} 18
Capacidad	Ah 1,5
Peso	kg 0,8

Cargador	
Voltaje	V _{AC} 230
Voltaje de salida	V _{DC} 21
Amperaje	A 1.9
Tiempo aproximado de carga	h 1
Peso	kg 0,5

Valores totales de vibración (suma de vector triaxial) según EN 786:

Valor de emisión de vibración (a_{h1}) 4 m/s²,
incertidumbre (K) 1,5 m/s²

Declaración de conformidad CE

DIRECTIVA SOBRE MÁQUINAS

DIRECTIVA SOBRE EMISIONES SONORAS EN EL ENTORNO



GL701/GL710/GL716/GL720/GL741

Black & Decker declara que los productos descritos en "datos técnicos" son conformes con:
2006/42/CE, EN 60335-1, EN 60335-2-91

2000/14/CE, Recortabordes, L ≤ 50 cm, Anexo VIII
KEMA Quality B.V., Utrechtseweg 310, 6802 ED Arnhem,
Países Bajos
Notified Body ID No.: 0344

Nivel de potencia acústica de conformidad con 2000/14/CE
(Artículo 12, Anexo III, L ≤ 50 cm):
 L_{WA} (potencia acústica medida) 95 dB(A)
incertidumbre (K) = 3 dB(A)
 L_{WA} (potencia acústica garantizada) 96 dB(A)
incertidumbre (K) = 3 dB(A)

Estos productos también son conformes con la directiva 2004/108/CE. Si desea información adicional, contacte con Black & Decker en la siguiente dirección o consulte el dorso de este manual.

El abajofirmante es responsable de la compilación del archivo técnico y hace esta declaración en nombre de Black & Decker.

Kevin Hewitt
Vicepresidente de ingeniería global
Black & Decker Europe, 210 Bath Road, Slough,
Berkshire, SL1 3YD
Reino Unido
21/01/2010

Garantía

Black & Decker confía plenamente en la calidad de sus productos y ofrece una garantía extraordinaria. Esta declaración de garantía es una añadida, y en ningún caso un perjuicio para sus derechos estatutarios. La garantía es válida dentro de los territorios de los Estados Miembros de la Unión Europea y de los de la Zona Europea de Libre Comercio.

Si un producto Black & Decker resultará defectuoso debido a materiales o mano de obra defectuosos o a la falta de conformidad, Black & Decker garantiza, dentro de los 24 meses de la fecha de compra, la sustitución de las piezas defectuosas, la reparación de los productos sujetos a un desgaste y rotura razonables o la sustitución de tales productos para garantizar al cliente el mínimo de inconvenientes, a menos que:

- ◆ El producto haya sido utilizado con propósitos comerciales, profesionales o de alquiler;
- ◆ El producto haya sido sometido a un uso inadecuado o negligente;
- ◆ El producto haya sufrido daños causados por objetos o sustancias extrañas o accidentes;
- ◆ Se hayan realizado reparaciones por parte de personas que no sean los servicios de reparación autorizados o personal de servicios de Black & Decker.

Para reclamar en garantía, será necesario que presente la prueba de compra al vendedor o al servicio técnico de reparaciones autorizado. Pueden consultar la dirección de su servicio técnico más cercano poniéndose en contacto con la oficina local de Black & Decker en la dirección que se indica en este manual. Como alternativa, se puede consultar en Internet, en la dirección siguiente, la lista de servicios técnicos autorizados e información completa de nuestros servicios de postventa y contactos: **www.2helpU.com**

Visite nuestro sitio web **www.blackanddecker.eu** para registrar su nuevo producto Black & Decker y mantenerse al día sobre nuestros productos y ofertas especiales. Encontrará información adicional sobre la marca Black & Decker y nuestra gama de productos en **www.blackanddecker.eu**

Utilização

O aparador da Black & Decker foi projectado para aparar e acertar orlas, bem como cortar relva em espaços limitados. Esta ferramenta destina-se apenas ao doméstico.

O seu carregador Black & Decker foi concebido para carregar as baterias Black & Decker do tipo fornecido com esta ferramenta.

Instruções de segurança

Geral



Advertência! Ao utilizar ferramentas alimentadas por pilha, é preciso seguir sempre as precauções básicas de segurança, incluindo as detalhadas a seguir, para diminuir os riscos de incêndio, corrosão das pilhas, ferimentos pessoais e danos materiais.

- ◆ Leia atentamente este manual antes de utilizar a ferramenta.
- ◆ Antes de utilizar a ferramenta, certifique-se de que sabe como desligá-la em caso de urgência.
- ◆ Neste manual indicam-se as utilizações previstas para o aparelho. O uso de qualquer acessório ou da própria ferramenta para fins diferentes dos recomendados neste manual de instruções poderá representar riscos de ferimentos.
- ◆ Guarde este manual para futura consulta.

Área de trabalho

- ◆ Não exponha a ferramenta à chuva.
- ◆ Não utilize a ferramenta em situações onde haja humidade ou água.
- ◆ Utilize a ferramenta apenas durante o dia ou com boa iluminação artificial.

Protecção pessoal

- ◆ Use sapatos ou botas robustos para proteger os pés.
- ◆ Não utilize a ferramenta se estiver descalço ou a utilizar sandálias.
- ◆ Use calças compridas para proteger as pernas.

Utilizar a ferramenta

- ◆ Esteja atento. Dê atenção ao que vai fazendo. Trabalhe com precaução.
- ◆ Não utilize ferramentas quando estiver cansado.
- ◆ Se a ferramenta começar a vibrar de maneira anormal, desligue-a imediatamente. Espere que as peças giratórias parem e verifique se existem danos ou peças soltas.

Segurança de outras pessoas

- ◆ Não permita que as crianças ou qualquer pessoa que não esteja familiarizada com estas instruções utilizem o aparelho.

- ◆ Não permita que crianças, visitantes ou animais cheguem perto da área de trabalho ou toquem na ferramenta.
- ◆ Lembre-se que o operador poderá ser responsabilizado por acidentes ou danos causados a pessoas ou à sua propriedade.

Este aparelho não se destina a ser utilizado por pessoas (incluindo crianças) com reduzidas capacidades físicas, sensoriais ou mentais ou falta de experiência e conhecimentos, a menos que tenham recebido instruções ou sejam supervisionadas relativamente à utilização do aparelho por uma pessoa responsável pela sua segurança. As crianças deverão ser vigiadas para que não mexam no aparelho.

Após a utilização

- ◆ Desligue a ferramenta e assegure-se de que as partes móveis da mesma pararam de girar antes de trocar quaisquer peças, limpá-las ou inspecioná-las.
- ◆ Quando fora de uso, armazene a ferramenta em local seco. Mantenha as ferramentas armazenadas fora do alcance de crianças.

Inspecção e reparação

- ◆ Antes do uso, verifique a existência de danos ou defeitos nas peças. Verifique se as peças móveis estão alinhadas e engatadas, se há alguma peça partida, se os resguardos e os interruptores estão danificados, bem como quaisquer outras condições que possam afectar o funcionamento da ferramenta.
- ◆ Não utilize a ferramenta se houver alguma peça danificada ou defeituosa. Não utilize a ferramenta se o interruptor não a ligar e desligar.
- ◆ Nunca utilize a ferramenta se houver danos em algum dispositivo protector ou invólucro ou se os mesmos estiverem fora do lugar.
- ◆ Assegure-se de que a ferramenta funciona correctamente e desempenha as funções para as quais foi projectada.
- ◆ Qualquer peça defeituosa ou danificada deverá ser reparada ou substituída por um técnico autorizado.
- ◆ Nunca tente remover nem substituir peças por outras que não as especificadas neste manual.

Instruções adicionais de segurança para baterias e carregadores

Baterias

- ◆ Nunca tente abrir a bateria seja qual for a razão.
- ◆ Não deixe que a bateria entre em contacto com a água.
- ◆ Não exponha a bateria ao calor.
- ◆ Não armazene em locais onde a temperatura possa exceder 40 °C.
- ◆ Carregue somente à temperatura ambiente, entre 10 °C e 40 °C.

- ◆ Carregue somente utilizando o carregador fornecido com a ferramenta.
- ◆ Siga as instruções fornecidas na secção "Protecção do meio ambiente" quando desejar desfazer-se das baterias.
- ◆ Não danifique nem deforme a bateria através de perfuração ou impacto pois tal pode causar risco de lesões ou incêndio.
- ◆ Não carregue baterias danificadas.

Carregadores

Advertência! O seu carregador foi concebido para uma tensão de rede específica. Verifique sempre se a tensão eléctrica corresponde à indicada na placa de especificações.

- ◆ Utilize o seu carregador Black & Decker apenas para carregar as baterias do tipo fornecido com a sua ferramenta. Outras baterias poderiam explodir, causando ferimentos pessoais e estragos.
- ◆ Nunca tente carregar baterias não recarregáveis.
- ◆ Se o cabo de alimentação estiver danificado, deverá ser substituído pelo fabricante ou por um Centro de Assistência autorizado pela Black & Decker, de modo a evitar riscos.
- ◆ Não deixe que o carregador entre em contacto com a água.
- ◆ Não abra o carregador.
- ◆ Não submeta o carregador a testes.

Os seguintes símbolos encontram-se no seu carregador:



O seu carregador está duplamente isolado, pelo que não é necessário fio de terra. Verifique sempre se a tensão eléctrica corresponde à indicada na placa de especificações. Nunca tente substituir o carregador por uma tomada normal.



O carregador destina-se apenas a ser utilizado no interior.



Leia o manual de instruções antes de utilizar.



Carregue somente à temperatura ambiente, entre 10 °C e 40 °C.

Instruções adicionais de segurança para aparadores de relva

Os símbolos de advertência a seguir encontram-se na ferramenta:



Utilize óculos de segurança durante o funcionamento da ferramenta.



Advertência! Desligada a ferramenta, o fio de nylon continuará a funcionar por alguns segundos. Nunca tente forçar a sua paralisação.



Mantenha as pessoas a uma distância mínima de 6 m da área de corte.



Não exponha a ferramenta a chuva nem a humidade excessiva.

- ◆ Familiarize-se com o controlo e com a utilização correcta da ferramenta.
- ◆ Utilize a ferramenta apenas durante o dia ou com boa iluminação artificial.
- ◆ Use sapatos ou botas robustos para proteger os pés.
- ◆ Use calças compridas para proteger as pernas.
- ◆ Antes de utilizar a ferramenta, verifique se o percurso de corte está livre de gravetos, pedras, arame e quaisquer outros obstáculos.
- ◆ Utilize a ferramenta apenas na posição vertical, com o fio de nylon próximo ao solo. Nunca a ligue em qualquer outra posição.
- ◆ Mova-se devagar ao utilizá-la. Lembre-se que a relva recém-cortada é húmida e escorregadia.
- ◆ Não trabalhe em declives acentuados. Trabalhe transversalmente, nunca em direcção ascendente e descendente.
- ◆ Nunca atravesse caminhos ou estradas com pedregulhos com a ferramenta em funcionamento.
- ◆ Nunca toque o fio de nylon durante o funcionamento.
- ◆ Não coloque a ferramenta em posição horizontal a menos que o fio de nylon esteja completamente parado.
- ◆ Utilize apenas o tipo adequado de fio de nylon. Nunca utilize fio de metal ou linha de pesca.
- ◆ Cuidado para não tocar na lâmina limitadora do fio de nylon.
- ◆ Mantenha sempre as mãos e os pés afastados do fio de nylon, especialmente aquando da activação da ferramenta.



Advertência! Os elementos de corte continuarão a rodar depois de a ferramenta ser desligada.

- ◆ Nunca use a ferramenta com resguardos danificados ou sem que os mesmos estejam devidamente colocados.
- ◆ Mantenha sempre as ranhuras de ventilação limpas.

Segurança eléctrica



O seu carregador tem duplo isolamento, não sendo, por isso, necessária uma ligação à terra. Assegure-se de que a voltagem do seu carregador corresponde com a rede de energia. Nunca tente substituir o carregador por uma tomada de energia normal.

Características

1. Interruptor de ligar/desligar
2. Botão de travamento
3. Punho principal
4. Punho secundário
5. Botão do punho secundário
6. Anel de ajuste do punho
7. Anel de ajuste de modo
8. Compartimento do motor
9. Resguardo
10. Lâmina limitadora do fio de nylon
11. Guia de acerto de orlas
12. Compartimento da bobina
13. Fio de nylon
14. Bateria

Fig. A

15. Carregador
16. Indicador de carga

Montagem

Advertência! Antes da montagem, retire a bateria.

Colocação e remoção da bateria (fig. B)

- ◆ Para colocar a bateria (14), alinhe-a com o respectivo receptáculo na ferramenta. Empurre a bateria em direcção ao respectivo receptáculo até encaixar.
- ◆ Para retirá-la, prima o botão de libertação (17) e puxe a bateria para fora do respectivo receptáculo.

Montagem do resguardo (fig. C)

- ◆ Insira o pino (18) do resguardo através do orifício (19).
- ◆ Insira a saliência (20) na ranhura (21) até encaixar em posição.
- ◆ Coloque o parafuso (22) e aperte-o.

Instalação do resguardo (fig. D)

Advertência! Nunca opere a ferramenta com os resguardos ou protecções danificados ou sem os mesmos colocados.

- ◆ Coloque o resguardo (9) na ferramenta conforme o demonstrado, alinhando os orifícios (23) no mesmo com as linguetas (24) da ferramenta.
- ◆ Carregue no resguardo até que se encaixe no local (A).
- ◆ Empurre-o para frente (B).
- ◆ Aperte bem os parafusos (25).

Advertência! Nunca utilize a ferramenta se o resguardo não estiver bem instalado.

Instalação de uma nova bobina de fio de nylon (fig. E)

É possível obter bobinas de reposição de fio de nylon com o seu distribuidor Black & Decker (ref. no. A6481).

- ◆ Mantenha carregadas as linguetas (26) e remova a tampa da bobina (27) do compartimento (12).

- ◆ Remova a bobina vazia (28) do compartimento.
- ◆ Remova toda a sujidade e relva.
- ◆ Pegue a bobina nova e desenrole aprox. 12 cm do fio de nylon.
- ◆ Passe-o através da abertura (29).
- ◆ Empurre a bobina para o eixo de transmissão (30) e gire-a com cuidado até que encaixe. Certifique-se de que o fio não esteja preso sob a bobina e que 10-12 cm de fio estejam para fora do compartimento.
- ◆ Alinhe as linguetas da tampa da bobina com os orifícios do compartimento.
- ◆ Carregue na tampa, colocando-a no compartimento até que se encaixe firmemente no local.

Advertência! Se o fio de nylon ultrapassar a lâmina limitadora (10), corte-o de forma que apenas a alcance.

Colocação de fio novo numa bobina vazia (fig. F - H)

É possível colocar fio de nylon novo numa bobina vazia.

Adquira pacotes de reposição de fio de nylon com o seu distribuidor da Black & Decker (ref. no. A6170 (25 m), A6171 (40 m)).

- ◆ Retire a bobina vazia da ferramenta conforme descrito acima.
- ◆ Remova todo o fio de nylon usado da bobina (31) (fig. F).
- ◆ Coloque 2 cm de fio de nylon num dos orifícios (32) da bobina conforme o demonstrado (fig. G).
- ◆ Dobre o fio e prenda-o na ranhura em forma de L (33).
- ◆ Enrole-o na mesma, na direcção da seta. Assegure-se de que enrola o fio de forma ordenada e em camadas. Não o cruze (fig. H).
- ◆ Quando o fio enrolado atingir os recessos (34), corte-o. Deixe pelo menos 12 cm de fio desenrolado da bobina e segure o fio com um dedo para mantê-lo no local (fig. F).
- ◆ Proceda da forma descrita acima para instalar a bobina na ferramenta.

Advertência! Utilize apenas o tipo adequado de fio de nylon da Black & Decker.

Riscos residuais.

Podem surgir riscos residuais adicionais durante a utilização da ferramenta que poderão não constar nos avisos de segurança incluídos. Estes riscos podem resultar de má utilização, uso prolongado, etc.

Mesmo com a aplicação dos regulamentos de segurança relevantes e com a implementação de dispositivos de segurança, alguns riscos residuais não podem ser evitados. Incluem:

- ◆ ferimentos causados pelo contacto com peças em rotação/movimento.
- ◆ ferimentos causados durante a troca de peças, lâminas ou acessórios.
- ◆ ferimentos causados pela utilização prolongada de uma ferramenta. Quando utilizar uma ferramenta por

períodos prolongados, faça intervalos regulares.

- ◆ **diminuição da audição.**
- ◆ **problemas de saúde causados pela inalação de poeiras resultantes da utilização da ferramenta (exemplo: trabalhos em madeira, especialmente carvalho, faia e MDF.)**

Utilização

Advertência! Deixe que a ferramenta funcione à vontade. Não o sobrecarregue.

Carregamento da bateria (fig. A)

Advertência! Não carregue a temperaturas ambientes inferiores a 4 °C ou superiores a 40 °C. Temperatura de carga recomendada: aprox. 24 °C.

Nota: O carregador não carregará a bateria se a temperatura da célula for inferior a, aproximadamente 0 °C ou superior a 60 °C. A bateria deve permanecer no carregador e o carregador irá começar a carregar automaticamente quando a temperatura da célula subir ou descer.

- ◆ Ligue o carregador (15) à corrente eléctrica e ligue-o no interruptor.
- ◆ Coloque a bateria (14) no carregador. Certifique-se de que a bateria está completamente encaixada no carregador (15).

O indicador de carregamento (16) pisca continuamente (lentamente). O carregamento está concluído quando o indicador de carregamento (16) se acender continuamente. É possível deixar a bateria ligada ao carregador indefinidamente com o LED aceso. O LED mudará para o estado intermitente (em carga) à medida que o carregador carrega ocasionalmente a bateria. O indicador de carregamento (16) acende-se logo que a bateria é ligada ao carregador ligado à corrente eléctrica.

- ◆ Carregue as baterias descarregadas no prazo de 1 semana. A vida útil da bateria irá diminuir bastante se for guardada descarregada.

Indicadores de carga

Se o carregador detectar um problema na bateria, o indicador de carregamento (16) irá piscar rapidamente. Proceda da seguinte forma:

- ◆ Volte a colocar a bateria (14).
- ◆ Se os indicadores de carregamento continuarem a piscar rapidamente, utilize uma bateria diferente para verificar se o processo de carregamento está a funcionar correctamente.
- ◆ Se a bateria substituída carregar correctamente, a bateria original está danificada e deve ser devolvida a um centro de reparação para que seja recarregada.
- ◆ Se a nova bateria apresentar a mesma indicação que a bateria original, leve o carregador a um centro de

reparação autorizado para que seja testado.

Nota: Poderá demorar até 15 minutos para determinar se a bateria está danificada. Se a bateria estiver demasiado quente ou fria, o LED irá, alternadamente, piscar rápida e lentamente; uma intermitência para cada velocidade, voltando a repetir.

Ajuste da posição do punho secundário (fig. I)

É possível ajustar o punho secundário (4) para fornecer um óptimo equilíbrio e conforto.

- ◆ Coloque o resguardo (9) no solo.
- ◆ Solte o botão do punho (5).
- ◆ Incline o punho colocando-o na posição desejada.
- ◆ Aperte firmemente o botão.

Ajuste da altura (fig. J)

O veio telescópico (35) permite-lhe ajustar a ferramenta a uma altura confortável.

- ◆ Desperte o anel (6).
- ◆ Para aumentar a altura, retire o veio.
- ◆ Para diminuir a altura, retire o veio.
- ◆ Aperte o anel.

Como ligar e desligar a ferramenta (fig. K)

Para sua segurança, esta ferramenta está equipada com um sistema de comutação duplo. Este sistema evita que a ferramenta seja ligada inadvertidamente.

Activação

- ◆ Empurre o botão de travamento (2) para trás com o dedo polegar e carregue, ao mesmo tempo, no interruptor para ligar/desligar (1).
- ◆ Solte o botão de travamento.

Desactivação

- ◆ Solte o interruptor para ligar/desligar (1).

Advertência! Nunca tente bloquear o interruptor na posição de ligado.

Ajuste da ferramenta no modo de apara ou acerto de orlas (fig. L - N)

É possível utilizar a ferramenta no modo de apara conforme a fig. L ou no modo de acerto de orlas para aparar excesso de relva ao longo de orlas e canteiros de flores, conforme o mostrado na fig. M.

Modo de apara (fig. L & N)

Para aparar, a cabeça do aparador deverá estar na posição demonstrada na fig. L. Caso contrário:

- ◆ Segure a alça secundária com uma das mãos e segure no anel (7) com a outra, conforme o demonstrado (fig. L).
- ◆ Carregue no anel na direcção da cabeça do aparador e gire-o no sentido contrário dos ponteiros do relógio até que a cabeça se encaixe na posição de apara (fig. N).

- ◆ Solte o anel.
- ◆ Ajuste a guia de acerto de orlas (11) na posição retraída.

Modo de acerto de orlas (fig. M & N)

Para acertar orlas, a cabeça do aparador deverá estar na posição demonstrada na fig. M. Caso contrário:

- ◆ Segure a alça secundária com uma das mãos e segure no anel (7) com a outra, conforme o demonstrado (fig. M).
- ◆ Carregue no anel na direcção da cabeça do aparador e gire-o no sentido dos ponteiros do relógio até que a cabeça se encaixe na posição de apara (fig. N).
- ◆ Solte o anel.
- ◆ Ajuste a guia de acerto de orlas (11) na posição retraída.

Sugestões para uma melhor utilização (fig. L)

Apara

- ◆ Segure a ferramenta conforme mostrado na fig. L.
- ◆ Incline o aparador com cuidado de um lado para o outro, conforme mostrado na fig. L.
- ◆ Ao cortar relva longa, trabalhe em etapas, partindo do topo.
- ◆ Mantenha a ferramenta afastada de objectos duros e plantas delicadas.
- ◆ Se a ferramenta começar a funcionar lentamente, reduza a carga.

Acerto de orlas

É possível alcançar resultados de corte excelentes em orlas com mais de 50 mm de profundidade.

- ◆ Não utilize a ferramenta para criar orlas. Para tal, utilize uma pá de acerto de orlas.
- ◆ Guie a ferramenta conforme a fig. L. Mantenha a guia contra a orla.
- ◆ Para efectuar um corte mais aproximado, incline levemente a ferramenta.

Geral

- ◆ Para obter óptimos resultados, corte apenas relva seca.
- ◆ Se possível, mantenha a bateria ligada ao carregador e este ligado sempre que a ferramenta não estiver em uso.

Manutenção

Esta ferramenta Black & Decker foi desenvolvida para funcionar por um longo período, com um mínimo de manutenção.

O funcionamento contínuo e satisfatório depende de limpeza regular e de manutenção adequada.

O seu carregador não requer qualquer manutenção para além de uma limpeza regular.

Advertência! Antes de executar qualquer manutenção na ferramenta, retire a bateria. Desligue a ficha do carregador antes de o limpar.

- ◆ Após a utilização, desligue a bateria e verifique se a ferramenta apresenta danos.
- ◆ Limpe regularmente as fendas de ventilação na ferramenta e no carregador utilizando uma escova macia ou pano seco.
- ◆ Limpe regularmente o compartimento do motor utilizando um pano húmido. Não utilize nenhum detergente abrasivo nem à base de solvente.
- ◆ Limpe regularmente o fio de nylon e a bobina com uma escova macia ou um pano seco.
- ◆ Utilize regularmente uma espátula romba para remover relva e sujidade da parte inferior do resguardo.

Armazenamento

Caso não utilize a ferramenta por vários meses, o ideal é deixar a bateria ligada ao carregador. Caso contrário, proceda da seguinte forma:

- ◆ Carregue totalmente a bateria.
- ◆ Remova a bateria da ferramenta.
- ◆ Guarde a ferramenta e a bateria num local seco e seguro. A temperatura de armazenamento deve permanecer na faixa de +5 °C a +40 °C. Coloque a bateria numa superfície horizontal.
- ◆ Antes de utilizar a ferramenta após um longo período sem funcionamento, carregue novamente a bateria.

Resolução de problemas

Se a sua ferramenta não estiver a funcionar adequadamente, siga as instruções abaixo. Caso o problema não seja resolvido dessa maneira, entre em contacto com um técnico autorizado da Black & Decker.

Advertência! Antes de proceder, remova a bateria.

Funcionamento lento da ferramenta

- ◆ Verifique se o compartimento da bobina gira livremente. Limpe-o com cuidado, se necessário.
- ◆ Verifique se o fio de nylon não se estende além de 10-12 cm do compartimento da bobina. Neste caso, corte-o de forma que apenas alcance a lâmina limitadora.

Alimentação automática de fio não funciona

- ◆ Mantenha as linguetas premidas e retire a tampa da bobina do compartimento.
- ◆ Erga a bobina aprox. 6 mm e puxe o fio até que 10-12 cm do mesmo saiam do compartimento. Se não houver fio suficiente na bobina, instale uma nova bobina conforme as instruções acima.
- ◆ Coloque a bobina de volta ao local e gire-a levemente até que esteja acomodada.
- ◆ Alinhe as linguetas da tampa da bobina com os orifícios do compartimento.
- ◆ Empurre a tampa para o compartimento até que encaixe firmemente em posição.

- ◆ Se o fio se projectar para além da lâmina limitadora, corte-o de forma que apenas a alcance.

Se a alimentação automática de fio ainda não funcionar, tente as sugestões a seguir:

- ◆ Limpe o seu compartimento com cuidado.
- ◆ Retire a bobina e verifique se a alavanca se move livremente.
- ◆ Retire a bobina, desenrole o fio de nylon e enrole-o novamente de forma ordenada, conforme descrito acima. Recoleta-a conforme as instruções.

A bobina está obstruída

- ◆ Mantenha as linguetas premidas e retire a tampa da bobina do compartimento.
- ◆ Limpe o seu compartimento com cuidado.
- ◆ Empurre a tampa para o compartimento até que encaixe firmemente em posição.

Protecção do meio ambiente



Recolha em separado. Não deve deitar este produto fora juntamente com o lixo doméstico normal.

Caso chegue o momento em que um dos seus produtos Black & Decker precise de ser substituído ou decida desfazer-se do mesmo, não o deite fora juntamente com o lixo doméstico. Torne este produto disponível para uma recolha em separado.



A recolha em separado de produtos e embalagens utilizados permite que os materiais sejam reciclados e reutilizados. A reutilização de materiais reciclados ajuda a evitar a poluição ambiental e a reduzir a procura de matérias-primas.

Os regulamentos locais poderão providenciar a recolha em separado de produtos eléctricos junto das casas, em lixeiras municipais ou junto dos fornecedores ao adquirir um novo produto.

A Black & Decker oferece um serviço de recolha e reciclagem de produtos Black & Decker que tenha atingido o fim das suas vidas úteis. Para tirar proveito deste serviço, devolva seu produto a qualquer agente de reparação autorizado, que se encarregará de recolher o equipamento em nosso nome.

Para verificar a localização do agente de reparação mais próximo de si, contacte o escritório local da Black & Decker no endereço indicado neste manual. Se preferir, consulte a lista de agentes autorizados da Black & Decker e os dados completos dos nossos serviços de atendimento pós-venda na Internet no endereço: www.2helpU.com

Baterias



As baterias Black & Decker podem ser recarregadas inúmeras vezes. Quando atingirem o fim das suas vidas úteis, deite-as fora com o devido cuidado com o nosso meio ambiente.

- ◆ Descarregue completamente a bateria e remova-a do aparelho.
- ◆ As baterias NiCd, NiMH e Li-Ion são recicláveis. Entregue-as em qualquer agente de reparação autorizado ou numa estação de reciclagem local.

Dados técnicos

		GLC2500L (H2)
Voltagem	V_{DC}	18
Velocidade sem carga	min^{-1}	6.800
Peso	kg	3,2

		A1518L
Voltagem	V_{DC}	18
Capacidade	Ah	1,5
Peso	kg	0,8

		9053954*
Voltagem	V_{AC}	230
Voltagem de saída	V_{DC}	21
Amperagem	A	1.9
Tempo aproximado de carregamento	h	1
Peso	kg	0,5

Valores totais de vibração (soma vectorial triaxial) segundo a EN 786:

Valor de emissão de vibrações (a_h) 4 m/s^2 ,
imprecisão (K) 1,5 m/s^2

Declaração de conformidade CE

DIRECTIVA MÁQUINAS

DIRECTIVA SOBRE RUÍDO AMBIENTE



GLC2500L

A Black & Decker declara que os produtos descritos na secção "dados técnicos" se encontram em conformidade com: 2006/42/CE, EN 60335-1, EN 60335-2-91

2000/14/CE, Aparador de relva, Comprimento, $L \leq 50$ cm, Anexo VIII

KEMA Quality B.V., Utrechtseweg 310, 6802 ED Arnhem, Países Baixos
Notified Body ID No.: 0344

Nível de potência acústica segundo a 2000/14/CE (Artigo 12, Anexo III, $L \leq 50$ cm):

L_{WA} (potência acústica medida) 95 dB(A)
imprecisão (K) = 3 dB(A)

L_{WA} (potência acústica garantida) 96 dB(A)
imprecisão (K) = 3 dB(A)

Estes produtos também se encontram em conformidade com a directiva 2004/108/CE. Para obter mais informações, queira contactar a Black & Decker através do endereço que se segue ou indicado no verso do manual.

O signatário é responsável pela compilação do ficheiro técnico e apresenta esta declaração em nome da Black & Decker.

Kevin Hewitt
Vice-presidente do Departamento de Engenharia Global
Black & Decker Europe, 210 Bath Road, Slough,
Berkshire, SL1 3YD
Reino Unido
21/01/2010

Garantia

A Black & Decker confia na qualidade de seus produtos e oferece um programa de garantia excelente. Esta declaração de garantia soma-se aos seus direitos legais e não os prejudica em nenhum aspecto. A garantia será válida nos territórios dos Estados Membros da União Europeia e na Área de Livre Comércio da Europa.

Caso algum produto da Black & Decker apresente avarias devido a defeitos de material, mão-de-obra ou ausência de conformidade no prazo de 24 meses a partir da data de compra, a Black & Decker garantirá a substituição das peças defeituosas, a reparação dos produtos que foram submetidos a uso adequado e remoção ou substituição dos mesmos para assegurar o mínimo de inconvenientes ao cliente a menos que:

- ◆ O produto tenha sido utilizado para fins comerciais, profissionais ou aluguer;
- ◆ O produto tenha sido submetido a uso incorrecto ou descuido;
- ◆ O produto tenha sofrido danos causados por objectos estranhos, substâncias ou acidentes;
- ◆ Tenha um histórico de reparações efectuadas por terceiros que não sejam os agentes autorizados ou profissionais de manutenção da Black & Decker.

Para activar a garantia, será necessário enviar a prova de compra ao revendedor ou agente de reparação autorizado.

Para verificar a localização do agente de reparação mais próximo de si contacte o escritório local da Black & Decker no endereço indicado neste manual. Se preferir, consulte a lista de agentes autorizados da Black & Decker e os dados completos de nossos serviços de atendimento pós-venda na Internet no endereço: www.2helpU.com

Visite o nosso website www.blackanddecker.eu para registar o seu novo produto Black & Decker e para se manter actualizado sobre novos produtos e ofertas especiais. Estão disponíveis mais informações sobre a Black & Decker e sobre a nossa gama de produtos em www.blackanddecker.eu

Användningsområde

Din Black & Decker grässtrimmare är avsedd för trimning och kantklippning av gräsmattor och för gräsklippning på svåråtkomliga ställen. Verktuget är endast avsett som konsumentverktyg.

Din Black & Decker batteriladdare är avsedd för laddning av Black & Decker-batterier av den typ som medföljer verktuget.

Säkerhetsanvisningar

Allmänt



Varning! När man använder batteridrivna verktyg är det viktigt att man bl.a. följer nedanstående säkerhetsanvisningar för att minska risken för brand, batteriläckage, personskador och materialskador.

- ◆ Läs bruksanvisningen noggrant innan du använder verktuget.
- ◆ Var säker på att du vet hur man stänger av verktuget innan du börjar använda det.
- ◆ Apparaten är avsedd för den användning som beskrivs i denna bruksanvisning. Bruk av tillbehör eller tillsatser, eller utförande av någon verksamhet med detta verktyg, som inte rekommenderas i denna bruksanvisning kan innebära risk för personskada.
- ◆ Spara bruksanvisningen för framtida bruk.

Arbetsområde

- ◆ Utsätt inte verktuget för regn.
- ◆ Använd inte verktuget på fuktiga eller våta platser.
- ◆ Använd verktuget endast vid dagsljus eller bra belysning.

Personskydd

- ◆ Skydda fötterna genom att bära rejäla skor eller stövlar.
- ◆ Gå aldrig barfota eller i öppna sandaler när du använder verktuget.
- ◆ Skydda benen genom att bära långbyxor.

Använda verktuget

- ◆ Var uppmärksam. Titta på det du gör. Använd sunt förnuft.
- ◆ Använd inte verktuget när du är trött.
- ◆ Stäng av verktuget om det börjar vibrera onormalt. Vänta tills verktuget har stannat helt och kontrollera på eventuella skador eller lösa delar.

Andra personers säkerhet

- ◆ Låt aldrig barn, eller personer som inte har läst denna bruksanvisning, använda verktuget.
- ◆ Tillåt inte barn, besökande eller djur att komma i närheten av arbetsplatsen eller att vidröra verktuget.
- ◆ Tänk på att användaren kan göras ansvarig för skada på annan person eller egendom.

Apparaten är inte avsedd att användas av personer (inklusive barn) med försvagade fysiska, sensoriska eller mentala förmågor, eller som saknar erfarenhet och kunskaper, om de inte får övervakning eller undervisning i användning av apparaten av någon som ansvarar för deras säkerhet. Håll uppsyn så att inga barn leker med apparaten.

Efter användning

- ◆ Stäng av verktuget och se till att alla rörliga delar har stannat innan du lämnar verktuget utan tillsyn och innan du börjar byta, rengöra eller inspektera någon del av verktuget.
- ◆ När verktuget inte används skall det förvaras på en torr plats, utom räckhåll för barn. Se till att barn inte kan få tag på verktuget.

Kontroll och reparation

- ◆ Kontrollera verktuget på skador eller skadade delar innan det används. Kontrollera på felriktade eller fastnade rörliga delar, brustna delar, skadade skydd eller omkopplare och alla andra förhållanden som kan påverka verktugets funktion.
- ◆ Använd inte verktuget om fel uppstått på någon av dess delar. Använd inte verktuget om det inte kan kopplas till och från med strömbrytaren.
- ◆ Använd aldrig verktuget utan alla skydd och kåpor på plats.
- ◆ Kontrollera att verktuget fungerar riktigt och kan utföra de avsedda funktionerna.
- ◆ Om fel uppstår skall delarna repareras eller bytas ut av en auktoriserad Black & Decker serviceverkstad.
- ◆ Försök aldrig att ta bort eller byta ut andra delar än dem som nämns i denna bruksanvisning.

Tillkommande säkerhetsanvisningar för batterier och laddare

Batterier

- ◆ Försök aldrig öppna.
- ◆ Låt inte batteriet komma i kontakt med vatten.
- ◆ Exponera inte batteriet för värme.
- ◆ Förvara inte laddaren i utrymmen där temperaturen kan överstiga 40 °C.
- ◆ Ladda endast inom temperaturområdet 10 °C till 40 °C.
- ◆ Ladda endast med laddaren som medföljer.
- ◆ När batterierna kasseras skall instruktionerna i kapitlet "Miljöskydd" följas.
- ◆ Se till att inte skada eller deformera batteriet genom perforering eller stöt, eftersom det kan leda till risk för personskada och brand.
- ◆ Försök aldrig ladda skadade batterier.

Laddare

Varning! Din laddare är avsedd för en specifik nätspänning. Kontrollera alltid att nätspänningen överensstämmer med typskylten.

- ◆ Använd Black & Decker-laddaren endast för att ladda batteriet i det verktyg det medföljde. Andra typer av batterier kan explodera och förorsaka person- och materialskador.
- ◆ Försök aldrig ladda icke-uppladdningsbara batterier.
- ◆ Om nåtsladden är skadad måste den bytas ut av tillverkaren eller en godkänd Black & Decker-serviceverkstad för att undvika en risksituation.
- ◆ Låt inte laddaren komma i kontakt med vatten.
- ◆ Öppna inte laddaren.
- ◆ Gör ingen åverkan på laddaren.

Följande symboler finns på laddaren:



Laddaren är dubbelisolerad; jordledare är således överflödigt. Kontrollera alltid att nätspänningen överensstämmer med typskylten. Försök aldrig att ersätta laddningsenheten med en vanlig nätkontakt.



Laddaren är endast avsedd för inomhusbruk.



Läs bruksanvisningen före bruk.



Ladda endast inom temperaturområdet 10 °C till 40 °C.

Tillkommande säkerhetsanvisningar för grästrimmare

Följande varningssymboler finns på verktyget:



Använd skyddsglasögon under arbetet med maskinen.



Varning! Trimtråden stannar först några sekunder efter det att verktyget har stängts av. Försök aldrig tvinga trimtråden att stanna.



Tillåt inte barn och djur att uppehålla sig närmare arbetsområdet än 6 meter.



Undvik att utsätta verktyget för regn och hög luftfuktighet.

- ◆ Bekanta dig med reglagen och hur verktyget ska användas.
- ◆ Använd verktyget endast vid dagsljus eller bra belysning.
- ◆ Skydda fötterna genom att bära rejäla skor eller stövlar.
- ◆ Skydda benen genom att bära långbyxor.

- ◆ Innan du börjar arbeta ska du kontrollera att arbetsområdet är fritt från pinnar, stenar, ståltrådar och andra föremål.
- ◆ Verktyget ska hållas lodrätt när det används, med trimtråden nära marken. Starta aldrig verktyget i något annat läge.
- ◆ Rör dig långsamt när du använder verktyget. Tänk på att nyklippt gräs är fuktigt och halt.
- ◆ Arbeta inte i branta sluttningar. Arbeta i sidled i sluttningar - inte uppåt och nedåt.
- ◆ Gå aldrig över en grusgång med verktyget igång.
- ◆ Ta aldrig på trimtråden när verktyget är igång.
- ◆ Lägg inte ner verktyget förrän trimtråden har stannat helt.
- ◆ Använd endast rätt typ av trimtråd. Använd aldrig trimtråd av metall eller fiskelina.
- ◆ Var noga med att inte vidröra skärbladet för trimtråden.
- ◆ Håll alltid händer och fötter borta från trimtråden, i synnerhet när verktyget startas.



Varning! Skärelementen fortsätter rotera sedan verktyget har stängts av.

- ◆ Använd aldrig verktyget om ett skydd är skadat eller saknas.
- ◆ Håll alltid ventilationsspringorna fria från smuts och skräp.

Elektrisk säkerhet



Laddaren är dubbelisolerad; jordledare är således överflödigt. Kontrollera att laddarens spänning överensstämmer med nätspänningen. Försök aldrig att ersätta laddningsenheten med en vanlig nätkontakt.

Detaljbeskrivning

1. Strömbrytare
2. Låsknapp
3. Huvudhandtag
4. Stödhandtag
5. Handtagsskruv
6. Justeringshylsa handtag
7. Väljarhylsa arbetsläge
8. Motorhus
9. Skydd
10. Skärblad för trimtråd
11. Kantledare
12. Spolhus
13. Trimtråd
14. Batteri

Fig. A

15. Laddare
16. Laddningsindikator - laddning pågår

Montering

Varning! Tag alltid bort batteriet innan montering.

Placering och borttagning av batteri (fig. B)

- ◆ Montera batteriet (14) genom att rikta det efter hållaren på verktyget. Skjut sedan in batteriet i hållaren tills det klickar fast.
- ◆ Avlägsna batteriet genom att trycka på knappen (17) och dra ut batteriet ur hållaren.

Montering av skyddet (fig. C)

- ◆ Skjut in stiftet (18) på skyddet i öppningen (19).
- ◆ För in fjädern (20) i öppningen (21) tills den låses fast i läge.
- ◆ Sätt in skruven (22) och dra åt den.

Montering av skyddet (fig. D)

Varning! Använd aldrig verktyget om skydd eller skärmar är skadade eller saknas.

- ◆ Placera skyddet (9) på verktyget enligt figuren. Rikta in hålen (23) mot fästena (24) på verktyget.
- ◆ Tryck på skyddet tills det snäpper fast på plats (A).
- ◆ Tryck skyddet framåt (B).
- ◆ Drag åt skruvarna (25) ordentligt.

Varning! Använd inte verktyget om inte skyddet är korrekt monterat.

Byte till en ny trimtrådsspole (fig. E)

Nya spolar med trimtråd finns tillgängliga hos din Black & Decker återförsäljare (kat.nr. A6481).

- ◆ Håll knapparna (26) på spolskyddet (27) intryckta och avlägsna skyddet från spolhuset (12).
- ◆ Tag ut den tomma spolen (28) ur spolhuset.
- ◆ Avlägsna eventuell smuts och gräs från spolhuset.
- ◆ Linda av omkring 12 cm trimtråd från den nya spolen.
- ◆ Mata trimtråden genom trådålet (29).
- ◆ Tryck spolen på drivaxeln (30) och vrid den något tills den sitter på plats. Kontrollera att trimtråden inte har klämts fast under spolen, och att det finns 10-12 cm tråd utanför kåpan.
- ◆ Rikta in knapparna på spolskyddet mot hålen i spolhuset.
- ◆ Tryck spolskyddet på spolhuset tills det snäpper på plats.

Varning! Om trimtråden sticker ut utanför skärbladet (10) ska den kapas så att den nått och jämnt når bladet.

Linda ny tråd på en tom spole (fig. F - H)

Du kan linda ny tråd på en tom spole. Nya förpackningar med trimtråd finns tillgängliga hos din Black & Decker återförsäljare (kat.nr. A6170 (25 m), A6171 (40 m)).

- ◆ Avlägsna den tomma spolen från verktyget enligt beskrivningen ovan.
- ◆ Avlägsna eventuell trimtråd som finns kvar på spolen (31) (fig. F).

- ◆ Mata in 2 cm trimtråd genom ett av hålen (32) i spolen enligt bilden (fig. G).
- ◆ Vik trimtråden och fäst den i den L-formade skåran (33).
- ◆ Linda trimtråden på spolen i pilens riktning. Linda tråden ordentligt i olika lager. Linda inte i kors (fig. H).
- ◆ Klipp av tråden när den lindade tråden kommit upp till slitarna (34). Låt ungefär 12 cm av tråden sticka ut från spolen och sätt ett finger på tråden för att hålla den på plats (fig. F).
- ◆ Sätt spolen på plats enligt anvisningarna ovan.

Varning! Använd endast trimtråd som rekommenderas av Black & Decker.

Övriga risker.

Ytterligare risker som inte finns med i de bifogade säkerhetsföreskrifterna kan uppstå när verktyget används. Dessa risker kan uppstå vid felaktig eller långvarig användning, etc.

Även om alla relevanta säkerhetsföreskrifter följs och säkerhetsanordningar används kan vissa ytterligare risker inte undvikas. Dessa innefattar:

- ◆ **Skador orsakade av att roterande/rörliga delar vidrörs.**
- ◆ **Skador som uppstår vid byte av delar, blad eller tillbehör.**
- ◆ **Skador som orsakas av långvarig användning av ett verktyg. Se till att ta regelbundna raster när du använder ett verktyg under en längre period.**
- ◆ **Skador på hörseln.**
- ◆ **Hälsororor orsakade av inandning av damm när verktyget används (exempel: arbete med trä, särskilt ek, bok och MDF.)**

Användning

Varning! Överbelasta inte maskinen, låt den arbeta i sin egen takt.

Laddning av batteriet (fig. A)

Varning! Ladda inte batteriet om lufttemperaturen är lägre än 4 °C eller högre än 40 °C. Rekommenderad temperatur vid laddning: cirka 24 °C.

Obs: Laddaren kan inte ladda batteriet om celltemperaturen är under 0 °C eller över 60 °C. Batteriet ska lämnas kvar i laddaren, så sätts batteriladdningen igång så snart temperaturen ökar eller sjunker.

- ◆ Anslut laddaren (15) och sätt på huvudströmmen.
- ◆ Sätt batteriet (14) i laddaren. Kontrollera att batteriet sitter ordentligt i laddaren (15).

Laddningsindikatorn (16) blinkar kontinuerligt (långsamt). Laddningen slutförs när laddningsindikatorn (16) lyser kontinuerligt. Laddaren och batteriet kan förbli anslutna på obegränsad tid då LED-indikatorn lyser. LED-indikatorn börjar blinka (laddningsläge) när laddaren upptäcker att batteriet

behöver laddas. Laddningsindikatorn (16) lyser så länge batteriet är kopplat till laddaren och laddaren till elnätet.

- ◆ Ladda urladdade batteriet inom en vecka. Batteriets livslängd minskar till stor del om det förvaras urladdat.

Laddningsindikatorer

Om laddaren upptäcker problem med batteriet, börjar laddningsindikatorn (16) att blinka snabbt. Gör så här:

- ◆ Sätt åter in batteriet (14).
- ◆ Om laddningsindikatorerna fortsätter att blinka snabbt, ska du använda ett annat batteri för att avgöra om laddningsprocessen fungerar korrekt.
- ◆ Om det ersatta batteriet laddas korrekt, betyder det att ursprungsbatteriet är defekt och ska återlämnas till ett center för återvinning.
- ◆ Om det nya batteriet ger samma indikation som ursprungsbatteriet, ska du låta testa laddaren vid en auktoriserad reparationsverkstad.

Obs: Det kan ta upp till 15 minuter för att avgöra om ett batteri är defekt eller inte. Om batteriet är för varmt eller för kallt, blinkar LED-indikatorn växelvis snabbt och långsamt med en blinkning vid varje hastighet och repetition.

Inställning av stödhandtaget (fig. I)

Stödhandtaget (4) kan ställas in för optimal balans och bekvämlighet.

- ◆ Låt skyddet (9) vila mot marken.
- ◆ Lossa handtagsskraven (5).
- ◆ Vrid handtaget till önskat läge.
- ◆ Drag åt skraven ordentligt.

Inställning av höjden (fig. J)

Med teleskopskaftet (35) kan du ställa in verktyget i en bekväm höjd.

- ◆ Lossa hylsan (6).
- ◆ Skjut ut skaftet för större höjd.
- ◆ Skjut in skaftet för kortare höjd.
- ◆ Drag åt hylsan.

Start och stopp (fig. K)

Av säkerhetsskäl är verktyget försett med ett dubbelt start/stoppsystem. Systemet gör att det inte går att starta verktyget av misstag.

Start

- ◆ Tryck spärknappen (2) bakåt med tummen och tryck samtidigt in strömbrytaren (1).
- ◆ Släpp spärknappen.

Avstängning

- ◆ Släpp strömbrytaren (1).

Varning! Försök aldrig låsa en strömbrytare i startläge.

Val av trimnings- eller kantklipningsläge (fig. L - N)

Verktyget kan antingen användas i trimningsläge, enligt figur L, eller i kantklipningsläge för klippning av gräs som sticker utanför kanten på gräsmattor och rabatter, enligt figur M.

Trimningsläge (fig. L & N)

Vid trimning ska trimningshuvudet vara i den position som framgår av figur L. Gör så här om det inte är det:

- ◆ Håll i stödhandtaget med den ena handen och grip hylsan (7) med den andra enligt bilden (fig. L).
- ◆ Tryck hylsan i riktning mot trimningshuvudet och vrid den moturs tills trimningshuvudet låser sig i trimningsläget (fig. N).
- ◆ Släpp hylsan.
- ◆ Placera kantledaren (11) i indraget läge.

Kantklipningsläge (fig. M & N)

Vid kantklippning ska trimningshuvudet vara i den position som framgår av figur M. Gör så här om det inte är det:

- ◆ Håll i stödhandtaget med den ena handen och ta tag i hylsan (7) med den andra handen, enligt figur M.
- ◆ Tryck hylsan i riktning mot trimningshuvudet och vrid den medurs tills trimningshuvudet låser sig i kantklipningsläget (fig. N).
- ◆ Släpp hylsan.
- ◆ Placera kantledaren (11) i indraget läge.

Råd för bästa resultat (fig. L)

Trimning

- ◆ Håll verktyget enligt figur L.
- ◆ För försiktigt grästrimmaren från sida till sida enligt figur L.
- ◆ Arbeta i flera omgångar uppifrån om gräset är långt.
- ◆ Undvik hårda föremål och ömtåliga växter.
- ◆ Minska belastningen om verktyget börjar gå långsamt.

Kantklippning

De bästa resultaten får man om kanterna är djupare än 50 mm.

- ◆ Skär inte till nya kanter med verktyget. För att göra nya kanter ska du använda en kantspade.
- ◆ Styr verktyget enligt figur L. Håll kantledaren mot gräsmattans kant.
- ◆ Luta verktyget en aning om du vill klippa något närmare.

Allmänt

- ◆ För ett optimalt resultat bör du endast klippa torrt gräs.
- ◆ Ha helst batteriet anslutet till laddaren, och laddaren ansluten till vägguttaget, när verktyget inte används.

Underhåll

Ditt Black & Decker verktyg har tillverkats för att fungera under lång tid med ett minimum av underhåll. Med rätt underhåll och regelbunden rengöring behåller verktyget sin prestanda.

Laddaren behöver inget underhåll förutom regelbunden rengöring.

Varning! Tag bort batteriet innan underhåll utförs på verktyget. Tag ur laddarkontakten före rengöring.

- ◆ Koppla lös batteriet efter bruk och syna verktyget på eventuella skador.
- ◆ Rengör ventilationsöppningarna på verktyget och laddaren regelbundet med en mjuk borste eller torr trasa.
- ◆ Rengör kåpan regelbundet med en fuktig trasa. Använd aldrig rengöringsmedel med lösnings- eller slipmedel i.
- ◆ Rengör regelbundet trimtråden och spolen med en mjuk borste eller torr trasa.
- ◆ Använd en trubbig skrapa för att regelbundet avlägsna gräs från skyddets undersida.

Förvaring

Batteriet bör helst vara anslutet till laddaren om verktyget inte ska användas på flera månader. Gör annars så här:

- ◆ Ladda batteriet så mycket det går.
- ◆ Tag ut batteriet ur verktyget.
- ◆ Förvara verktyget och batteriet på en säker och torr plats. Förvaringstemperaturen måste alltid ligga mellan +5 °C och +40 °C. Placera batteriet på en horisontell yta.
- ◆ Ladda batteriet ordentligt på nytt innan verktyget tas i bruk igen efter att ha förvarats under en längre tid.

Felsökning

Följ anvisningarna nedan om något problem uppkommer. Kontakta din auktoriserade Black & Decker serviceverkstad om du inte själv kan lösa problemet.

Varning! Tag ut batteriet ur verktyget innan du fortsätter.

Verktyget går långsamt.

- ◆ Kontrollera att spolhuset kan rotera fritt. Rengör det försiktigt om det behövs.
- ◆ Kontrollera att trimtråden inte sticker ut ur spolhuset mer än 10-12 cm. Om den sticker ut längre ska den kapas så att den just når fram till skärbladet.

Den automatiska trådmatningen fungerar inte

- ◆ Håll knapparna intryckta och avlägsna spolskyddet från spolhuset.
- ◆ Lyft spolen ca. 6 mm och drag i trimtråden tills den sticker ut 10-12 cm utanför spolhuset. Om det är för lite tråd var på spolen byter du till en ny spole med trimtråd. Följ anvisningarna ovan.
- ◆ Tryck tillbaka spolen på plats och vrid den något tills den sitter på plats.
- ◆ Rikta in knapparna på spolskyddet mot hålen i spolhuset.
- ◆ Tryck spolskyddet på spolhuset tills det snäpper på plats ordentligt.

- ◆ Om trimtråden sticker utanför skärbladet ska den kapas så att den just når fram till bladet.

Försök med följande åtgärder om den automatiska trådmatningen ändå inte fungerar:

- ◆ Rengör spolhuset noggrant.
- ◆ Avlägsna spolen och kontrollera att armen kan röra sig fritt.
- ◆ Tag ut spolen och linda av hela trimtråden. Linda sedan på den jämnt igen, enligt anvisningarna ovan. Sätt tillbaka spolen enligt anvisningarna.

Spolen har fastnat

- ◆ Håll knapparna intryckta och avlägsna spolskyddet från spolhuset.
- ◆ Rengör spolhuset noggrant.
- ◆ Tryck spolskyddet på spolhuset tills det snäpper på plats ordentligt.

Miljöskydd



Särskild insamling. Denna produkt får inte kastas bland vanliga hushållssopor.

Om du någon gång i framtiden behöver ersätta din Black & Decker-produkt med en ny, eller inte längre behöver den, ska du inte kasta den i hushållssoporna. Denna produkt skall lämnas till särskild insamling.



Efter insamling av använda produkter och förpackningsmaterial kan materialen återvinnas och användas på nytt. Användning av återvunna material skonar miljön och minskar förbrukningen av råvaror.

Enligt lokal lagstiftning kan det förekomma särskilda insamlingar av utjänt elutrustning från hushåll, antingen vid kommunala miljöstationer eller hos detaljhandlaren när du köper en ny produkt.

Black & Decker erbjuder en samlings- och återvinningstjänst för Black & Decker-produkter när de en gång har tjänat ut. För att använda den här tjänsten lämnar du in produkten till en auktoriserad B & D -reparatör/representant som tar hand om den för din räkning.

Närmaste auktoriserade Black & Decker-representant finner du genom det lokala Black & Decker-kontoret på adressen i den här manualen. Annars kan du söka på Internet, på listan över auktoriserade Black & Decker-representanter och alla uppgifter om vår kundservice och andra kontakter.

www.2helpU.com

Batterier

Black & Decker-batterierna kan laddas många gånger. Skydda miljön genom att lämna uttjänta batterier till avsedd uppsamlingsplats.

- ◆ Låt batteriet laddas ur helt och ta sedan bort det från verktyget.
- ◆ NiCd-, NiMH- och Li-Ion-batterier kan återvinnas. Lämna dem till inköpsstället eller den lokala återvinningsstationen.

Tekniska data

GLC2500L (H2)	
Spänning	V _{DC} 18
Obelastad hastighet	min ⁻¹ 6.800
Vikt	kg 3,2
Batteri A1518L	
Spänning	V _{DC} 18
Kapacitet	Ah 1,5
Vikt	kg 0,8
Laddare 9053954*	
Spänning	V _{AC} 230
Utspänning	V _{DC} 21
Amperetal	A 1.9
Laddningstid cirka	h 1
Vikt	kg 0,5

Vibrationens totala värde (treaxelvektorsumma) bestämd enligt EN 786:

Vibrationsemissionsvärde (a_w) 4 m/s², avvikelse (K) 1,5 m/s²

EC-förklaring om överensstämmelse

MASKINDIREKTIVET
DIREKTIVET OM STÖRANDE LJUD UTMOMHUS



GLC2500L

Black & Decker deklarerar att dessa produkter, beskrivna under "tekniska data", är tillverkade i överensstämmelse med: 2006/42/EC, EN 60335-1, EN 60335-2-91

2000/14/EG, Grästrimmare, L ≤ 50 cm, Bilaga VIII
KEMA Quality B.V., Utrechtseweg 310, 6802 ED Arnhem,
Nederländerna
Notified Body ID No.: 0344

Nivå för akustisk effekt enligt 2000/14/EG
(Artikel 12, Bilaga III, (6) L ≤ 50 cm):

L_{WA} (uppmätt ljudeffekt) 95 dB(A)
avvikelse (K) = 3 dB(A)

L_{WA} (garanterad ljudeffekt) 96 dB(A)
avvikelse (K) = 3 dB(A)

Dessa produkter överensstämmer också med direktivet 2004/108/EG. För mer information, vänligen kontakta Black & Decker på följande adress eller den som anges på handbokens baksida.

Undertecknad är ansvarig för sammanställningen av den tekniska filen och gör denna försäkran som representant för Black & Decker.

Kevin Hewitt
Vice-President Global Engineering
Black & Decker Europe, 210 Bath Road, Slough,
Berkshire, SL1 3YD
Storbritannien
21/01/2010

Reservdelar / reparationer

Reservdelar finns att köpa hos auktoriserade Black & Decker verkstäder, som även ger kostnadsförslag och reparerar våra produkter.

Förteckning över våra auktoriserade verkstäder finns på Internet, vår hemsida www.blackanddecker.se samt www.2helpU.com

Garanti

Black & Decker garanterar att produkten är fri från material- och/eller fabrikationsfel vid leverans till kund. Garantin är i tillägg till konsumentens lagliga rättigheter och påverkar inte dessa. Garantin gäller inom medlemsstaterna i Europeiska Unionen och i det Europeiska Frihandelsområdet.

Om en Black & Decker produkt går sönder på grund av material- och/eller fabrikationsfel eller brister i överensstämmelse med specifikationen, inom 24 månader från köpet, åtar sig Black & Decker att reparera eller byta ut produkten med minsta besvär för kunden.

Garantin gäller inte för fel som beror på:

- ◆ normalt slitage
- ◆ felaktig användning eller skötsel
- ◆ att produkten skadats av främmande föremål, ämnen eller genom olyckshändelse

Garantin gäller inte om reparation har utförts av någon annan än en auktoriserad Black & Decker verkstad.

För att utnyttja garantin skall produkten och inköpskvittot lämnas till återförsäljaren eller till en auktoriserad verkstad senast 2 månader efter det att felet har upptäckts.

För information om närmaste auktoriserad verkstad; kontakta det lokala Black & Decker kontoret på den adress som är angiven i bruksanvisningen. En lista på alla auktoriserade verkstäder samt servicevillkor finns även tillgängligt på Internet, adress: www.2helpU.com

Besök vår webbplats www.blackanddecker.se för att registrera din nya Black & Decker-produkt samt för att erhålla information om nya produkter och specialerbjudanden. Vidare information om märket Black & Decker och vårt produktsortiment kan återfinnas på www.blackanddecker.se

Bruksområder

Din Black & Decker gresstrimmer er beregnet på klipping og trimming av plenkanter og klipping av gress på vanskelig tilgjengelige steder. Verktøyet er tiltenkt kun som konsumentverktøy.

Din Black & Decker batterilader er konstruert for å lade Black & Decker batterier av den typen som leveres med verktøyet.

Sikkerhetsinstruksjoner

Generelt



Advarsel! Når du bruker batteridrevne verktøy, må du følge en del grunnleggende sikkerhetsregler (se nedenfor) for å redusere faren for brann, batterilekkasjer, personskade og materiell skade.

- ◆ Ta deg tid til å lese nøye gjennom denne håndboken før du begynner å bruke verktøyet.
- ◆ Vær sikker på at du vet hvordan man slår av verktøyet før du begynner å bruke det.
- ◆ Bruksanvisningen beskriver hvordan apparatet skal brukes. Bruk bare tilbehør og utstyr som anbefales i bruksanvisningen. Bruk av annet verktøy eller tilbehør kan medføre risiko for personskade.
- ◆ Ta vare på denne bruksanvisningen for fremtidig bruk.

Arbeidsområde

- ◆ Ikke utsett verktøyet for regn.
- ◆ Ikke bruk verktøyet under våte eller fuktige forhold.
- ◆ Bruk bare verktøyet i dagslys eller med bra belysning.

Personlig verneutstyr

- ◆ Bruk solide sko eller støvler, slik at du beskytter føttene.
- ◆ Bruk ikke verktøyet mens du bruker sandaler eller går barfoot.
- ◆ Beskytt bena ved å bruke langbukser.

Bruke verktøyet

- ◆ Vær oppmerksom. Se på det du gjør. Bruk sunn fornuft.
- ◆ Bruk ikke verktøyet når du er trett.
- ◆ Hvis verktøyet vibrerer unormalt, må du slå det av. Vent til verktøyet har stanset, og kontroller eventuelle skader eller løse deler.

Andre persons sikkerhet

- ◆ La aldri barn eller personer som ikke har lest denne bruksanvisningen benytte verktøyet.
- ◆ Barn, besøkende eller dyr må ikke komme i nærheten av arbeidsområdet eller i kontakt med verktøyet.
- ◆ Husk at brukeren kan holdes ansvarlig for ulykker eller skader som rammer andre mennesker eller deres eiendeler.

Apparatet er ikke beregnet til å brukes av personer (inkludert barn) med redusert fysisk, sansemessig eller mental kapasitet eller mangel på erfaring og kunnskap, med mindre de er under oppsyn eller har fått opplæring i bruk av apparatet av en person som har ansvaret for deres sikkerhet. Barn må ha tilsyn for å sikre at de ikke leker med apparatet.

Etter bruk

- ◆ Slå av verktøyet og kontroller at bevegelige deler ikke roterer før du forlater verktøyet, og før du skifter ut, rengjør eller inspiserer noen av delene på verktøyet.
- ◆ Når verktøyet ikke er i bruk, må det oppbevares på et tørt sted. Oppbevares utilgjengelig for barn.

Kontroll og reparasjon

- ◆ Før bruk må du kontrollere at verktøyet ikke er skadet eller har skadede deler. Kontroller om det finnes feiljustering eller om de bevegelige delene har satt seg fast, at ingen deler er ødelagt, at vern og brytere er uten skader, og at det ikke foreligger noen andre feil som kan påvirke verktøyets funksjon.
- ◆ Bruk aldri verktøyet hvis noen av delene er skadet. Ikke bruk verktøyet hvis det ikke er mulig å slå det på og av med strømbryteren.
- ◆ Bruk aldri verktøyet hvis beskyttelsesinnretningene er skadet eller ikke er på plass.
- ◆ Kontroller at verktøyet fungerer som det skal og utfører beregnet funksjon.
- ◆ Ved skade eller feil må delene repareres eller byttes ut av et autorisert serviceverksted.
- ◆ Prøv aldri å fjerne eller bytte andre deler enn de som er angitt i denne bruksanvisningen.

Ekstra sikkerhetsforskrifter for batterier og ladere

Batterier

- ◆ Gjør aldri under noen omstendigheter forsøk på å åpne apparatet.
- ◆ Batteriet må ikke komme i kontakt med vann.
- ◆ Batteriet må ikke utsettes for varme.
- ◆ Apparatet må ikke oppbevares på steder hvor temperaturen kan overstige 40 °C.
- ◆ Må bare lades i lufttemperaturer mellom 10 °C og 40 °C.
- ◆ Må bare lades med laderen som følger med verktøyet.
- ◆ Når batteriene skal kastes, følg instruksene i avsnittet "Miljøvern".
- ◆ Du må ikke skade eller deformere batteriet med punktering eller støt, dette kan skape fare for skader og brann.
- ◆ Ikke lad opp skadede batterier.

Ladere

Advarsel! Laderen er utformet for en bestemt nettspenning.

Kontroller at nettspenningen er i overensstemmelse med spenningen på typeskiltet.

- ◆ Bruk din Black & Decker lader kun sammen med det batteriet som blir levert med verktøyet. Andre typer batterier kan eksplodere og forårsake person- og materialskader.
- ◆ Forsøk aldri å lade ikke-oppladbare batterier.
- ◆ Hvis strømfledningen skades må den skiftes ut av fabrikanten eller et autorisert Black & Decker servicesenter for å unngå fare.
- ◆ Laderen må ikke komme i kontakt med vann.
- ◆ Laderen må ikke åpnes.
- ◆ Ikke undersøk laderen på egenhånd.

Følgende symboler finnes på batteriladeren:



Laderen er dobbeltisoleret. Derfor er ikke jording nødvendig. Kontroller at nettspenningen er i overensstemmelse med spenningen på typeskiltet. Du må aldri forsøke å bytte laderen ut med et vanlig støpsel.



Laderen er kun beregnet på innendørs bruk.



Les instruksjonshåndboken før bruk.



Må bare lades i lufttemperaturer mellom 10 °C og 40 °C.

Ekstra sikkerhetsinstruksjoner for gresstrimmere

Du finner følgende varselsymboler på verktøyet:



Ha på deg vernebriller når du bruker dette verktøyet.



Advarsel! Trimmertråden fortsetter å rotere i et par sekunder etter at verktøyet er slått av. Prøv aldri å tvinge tråden til å stoppe.



Ikke tillat at barn og dyr oppholder seg nærmere arbeidsområdet enn 6 meter.



Ikke utsett verktøyet for regn eller høy fuktighet.

- ◆ Gjør deg kjent med styring og riktig bruk av verktøyet.
- ◆ Bruk bare verktøyet i dagslys eller med bra belysning.
- ◆ Bruk solide sko eller støvler, slik at du beskytter føttene.
- ◆ Beskytt bena ved å bruke langbukser.
- ◆ Før du bruker verktøyet, må du sjekke at arbeidsområdet er fritt for kvister, steiner, ledninger og andre hindringer.

- ◆ Bruk bare verktøyet i loddrett stilling, med trimmertråden mot bakken. Verktøyet må aldri slås på i andre stillinger.
- ◆ Beveg deg sakte når du bruker verktøyet. Husk at nyklipt gress er fuktig og glatt.
- ◆ Ikke arbeid i bratte skråninger. Klipp på tvers av skråninger, ikke opp- eller nedover.
- ◆ Gå aldri over grusganger mens verktøyet er i gang.
- ◆ Rør aldri trimmertråden mens verktøyet er i gang.
- ◆ Ikke legg verktøyet fra deg før trimmertråden har stoppet helt.
- ◆ Pass på at du bruker riktig type trimmertråd. Du må aldri bruke trimmertråder av metall eller fiskesnøre.
- ◆ Pass på at du ikke berører skjærekniv for trimmertråden.
- ◆ Hold alltid hender og føtter unna trimmertråden, særlig når du slår på motoren.



Advarsel! Trimmertrådene fortsetter å rotere etter at verktøyet er slått av.

- ◆ Ikke bruk verktøyet hvis vernene er skadet eller ikke er montert.
- ◆ Pass alltid på at ventilasjonsslissene holdes fri for smuss.

Elektrisk sikkerhet



Laderen er dobbeltisoleret. Jordet ledning er derfor ikke nødvendig. Kontroller at spenningen til laderen tilsvarer nettspenningen. Du må aldri forsøke å bytte laderen ut med et vanlig støpsel.

Egenskaper

1. Strømbryter
2. Låseknapp
3. Hovedhåndtak
4. Støttehåndtak
5. Håndtaksskrue
6. Justeringskrave for håndtaket
7. Modusjusteringskrave
8. Motorhus
9. Vernedeksel
10. Skjærekniv for trimmertråd
11. Kantstøtte
12. Spolehus
13. Trimmertråd
14. Batteri

Fig. A

15. Lader
16. Ladeindikator - lading pågår

Montering

Advarsel! Før montering må du alltid ta ut batteriet.

Montere og fjerne batteriet (fig. B)

- ◆ Når du skal sette i batteriet (14), holder du det på høyde med holderen på verktøyet. Skyv batteriet inn i holderen, og trykk til det sitter på plass.
- ◆ Når du skal fjerne batteriet, trykker du på de to utløserknappene (17) samtidig, mens du drar batteriet ut av holderen.

Montere vernet (fig. C)

- ◆ Plasser pinnen (18) på vernet i hullet (19).
- ◆ Sett tungen (20) inn i sporet (21) til det låses på plass.
- ◆ Sett i skruen (22) og trekk den til.

Montere vernet (fig. D)

Advarsel! Ikke bruk verktøyet hvis vern eller skjerm er skadet, eller uten at vern og skjerm sitter på plass.

- ◆ Sett vernet (9) på verktøyet som vist. Sett hullene (23) på vernet på linje med festene (24) på verktøyet.
- ◆ Trykk vernet inn til det klikker på plass (A).
- ◆ Skyv vernet forover (B).
- ◆ Stram skruene (25) godt.

Advarsel! Ikke bruk verktøyet med mindre vernet er satt riktig på.

Sette på en ny spole med trimmertråd (fig. E)

Du kjøper nye spoler med trimmertråd hos din

Black & Decker-forhandler (kat.nr. A6481).

- ◆ Hold tappene (26) nede, og fjern spoledekslet (27) fra spolehuset (12).
- ◆ Ta den tomme spolen (28) ut av huset.
- ◆ Fjern evt. smuss og gress fra huset.
- ◆ Ta den nye spolen og vikle av ca. 12 cm trimmertråd.
- ◆ Mat trimmertråden gjennom øyet (29).
- ◆ Skyv spolen inn på drivakselen (30) og drei litt på den til den sitter på plass. Pass på at ikke trimmertråden klemmes under spolen, og at 10-12 cm trimmertråd stikker ut fra huset.
- ◆ Sett tappene på spoledekslet mot hullene i huset.
- ◆ Trykk dekslet ned på huset til det klikker på plass.

Advarsel! Hvis trimmertråden stikker ut forbi skjæreknivene (10), må den kuttet, slik at den såvidt når frem til bladet.

Surre ny tråd på en tom spole (fig. F - H)

Du kan vikle ny trimmertråd på en tom spole. Du finner utskiftningspakker med skjæretråd hos din Black & Decker-forhandler (kat.nr. A6170 (25 m), A6171 (40 m)).

- ◆ Ta den tomme spolen ut av verktøyet som forklart over.
- ◆ Fjern all gammel trimmertråd fra spolen (31) (fig. F).
- ◆ Før 2 cm trimmertråd inn i ett av hullene (32) i spolen, som vist (fig. G).
- ◆ Bøy trimmertråden og fest den i den L-formede åpningen (33).

- ◆ Surr trimmertråden opp på spolen i pilens retning. Forsikre deg om at du vikler tråden jevnt og lagvis. Ikke surr på kryss og tvers (fig. H).
- ◆ Når den oppsurrede tråden når frem til innsporingene (34), kutter du den. La tråden stikke ca. 12 cm. ut av spolen, og hold en finger på tråden for å holde den på plass (fig. F).
- ◆ Sett spolen på plass i verktøyet som forklart over.

Advarsel! Pass på at du bruker riktig type trimmertråd fra Black & Decker.

Andre risikoer.

Ved bruk av verktøyet kan det oppstå ytterligere risikoer som kanskje ikke er inkludert i sikkerhetsadvarslene som følger med. Disse risikoene kan bli forårsaket av feil bruk, langvarig bruk osv.

Selv om de relevante sikkerhetsbestemmelsene blir fulgt, og sikkerhetstiltakene blir gjennomført, kan visse gjenværende risikoer ikke unngås. Disse omfatter:

- ◆ **Personskader som forårsakes av berøring av en roterende/bevegelig del.**
- ◆ **Personskader som forårsakes av at en del, et blad eller tilbehør endres.**
- ◆ **Personskader som forårsakes av langvarig bruk av et verktøy. Når du bruker et verktøy i lange perioder, må du sørge for å ta regelmessige pauser.**
- ◆ **Svekket hørsel.**
- ◆ **Helsefarer som forårsakes av innånding av støv som dannes når du bruker verktøyet (eksempel: arbeid med tre, spesielt eik, bok og MDF).**

Bruk

Advarsel! La verktøyet jobbe med sin egen hastighet. Ikke overbelast det.

Lade batteriet (fig. A)

Advarsel! Lad ikke batteriet hvis lufttemperaturen er under 4 °C eller over 40 °C. Anbefalt ladetemperatur: ca. 24 °C.

Merk: Laderen vil ikke lade et batteri hvis celledtemperaturen er under ca. 0 °C eller over 60 °C. Batteriet bør bli sittende i laderen, og laderen vil automatisk begynne ladningen når celledtemperaturen igjen er innenfor grensene.

- ◆ Koble laderen (15) til strømmettet og slå på strømmen.
- ◆ Sett batteriet (14) i batteriladeren. Pass på at batteriet sitter helt på plass i laderen (15).

Ladeindikatoren (16) vil blinke kontinuerlig (sakte). Ladningen er ferdig når ladeindikatoren (16) lyser hele tiden. Batteriet kan stå i laderen så lenge du vil når lampen lyser. Lampen vil begynne å blinke igjen (ladning) hver gang laderen topplader batteriet. Ladelampen (16) lyser så lenge batteriet sitter i laderen og strømmen er slått på til laderen.

- ◆ Utladete batterier må lades opp innen 1 uke. Batteriets

levetid blir vesentlig redusert hvis det oppbevares i utladet tilstand.

Ladeindikatorer

Hvis laderen registrerer et problem med batteriet, vil ladeindikatoren (16) blinke hurtig. Gjør som følger:

- ◆ Sett i batteriet (14) igjen.
- ◆ Hvis ladeindikatoren fortsetter å blinke hurtig, bruker du et annet batteri for å se om ladeprosessen fungerer som den skal.
- ◆ Hvis det nye batteriet lades korrekt, er det første batteriet defekt og bør returneres til et servicesenter for resirkulering.
- ◆ Hvis det nye batteriet gir samme indikasjon som det forrige, må batteriladeren testes hos et autorisert servicesenter.

Merk: Det kan ta opptil 15 minutter å påvise at batteriet er defekt. Hvis batteriet er for kaldt eller for varmt, vil lampen blinke vekselvis en gang hurtig og en gang sakte.

Justere posisjonen til støttehåndtaket (fig. I)

Støttehåndtaket (4) kan justeres for optimal balanse og komfort.

- ◆ La vernet (9) hvile på bakken.
- ◆ Løsne på håndtakskruen (5)
- ◆ Drei håndtaket til ønsket posisjon.
- ◆ Stram håndtaksskruen godt.

Justere høyden (fig. J)

Teleskopstangen (35) gjør at du kan stille inn verktøyet til en komfortabel høyde.

- ◆ Løsne kraven (6).
- ◆ Trekk ut stangen for å øke høyden.
- ◆ Skyv sammen stangen for å redusere høyden.
- ◆ Stram kraven.

Start og stopp (fig. K)

For din egen sikkerhets skyld er dette verktøyet utstyrt med et dobbelt startesystem. Dette systemet gjør at du ikke kan starte verktøyet utilsikket.

Slå på

- ◆ Trykk låseknappen (2) bakover med tommelen samtidig som du klemmer på strømbryteren (1).
- ◆ Slipp låseknappen.

Slå av

- ◆ Slipp strømbryteren (1).

Advarsel! Prøv aldri å låse en strømbryter i startstilling.

Stille inn verktøyet for trimming eller kantklipping (fig. L - N)

Verktøyet kan brukes i trimmermodus, som vist i fig. L eller i kantklippermodus for klipping av gress som stikker ut fra plenkanter og blomsterbed, som vist i fig. M.

Trimmermodus (fig. L & N)

Ved trimming skal trimmerhodet være i posisjonen vist i fig. L. Hvis ikke:

- ◆ Hold i støttehåndtaket med én hånd og ta kraven (7) i den andre hånden, som vist (fig. L).
- ◆ Skyv kragen i retning av trimmerhodet og drei den mot klokken til trimmerhodet festes i posisjon for trimming (fig. N).
- ◆ Slipp kraven.
- ◆ Sett kantstøtten (11) til bakre posisjon.

Kantklippermodus (fig. M & N)

Ved kantklipping skal trimmerhodet være i posisjonen vist i fig. M. Hvis ikke:

- ◆ Hold i støttehåndtaket med én hånd og ta hylsen (7) i den andre hånden, som vist (fig. M).
- ◆ Skyv kragen i retning av trimmerhodet og drei den med klokken til trimmerhodet festes i posisjon for kantklipping (fig. N).
- ◆ Slipp kraven.
- ◆ Sett kantstøtten (11) til bakre posisjon.

Råd for optimalt resultat (fig. L)

Trimming

- ◆ Hold verktøyet som vist i fig. L.
- ◆ Sving trimmeren forsiktig fra side til side som vist i fig. L.
- ◆ Arbeid i flere omganger fra toppen av gresset hvis dette er langt.
- ◆ Hold verktøyet i god avstand fra harde gjenstander og skjøre planter.
- ◆ Hvis verktøyet begynner å gå sakte, reduserer du belastningen.

Kantklipping

Optimale klipperesultater oppnås for kanter som er dypere enn 50 mm.

- ◆ Ikke bruk verktøyet til å lage nye kanter. Bruk en kantspade når du skal lage nye kanter.
- ◆ Før verktøyet som vist i fig. L. Hold kantstøtten mot plenkanter.
- ◆ Vil du klippe lettere, vipper du litt på verktøyet.

Generelt

- ◆ Du oppnår optimale klipperesultater hvis du kun klipper gresset når det er tørt.
- ◆ Om mulig bør batteriet være koplet til laderen og laderen koplet til strøm når verktøyet ikke er i bruk.

Vedlikehold

Ditt Black & Decker-verktøy er konstruert for å være i drift over en lang periode med et minimum av vedlikehold. Det er avhengig av godt vedlikehold og regelmessig rengjøring for å fungere som det skal til enhver tid.

Laderen din behøver ikke annet vedlikehold enn at den rengjøres med jevne mellomrom.

Advarsel! Før det utføres noen form for vedlikehold av verktøyet, må batteriet tas ut. Trekk ut kontakten før du rengjør laderen.

- ◆ Ta ut batteriet etter bruk, og kontroller verktøyet for skade.
- ◆ Rengjør ventilasjonsslissene på verktøyet og laderen regelmessig med en myk børste eller en tørr klut.
- ◆ Rengjør motorhuset regelmessig med en fuktig klut. Ikke bruk slipende eller løsemiddelbaserte rengjøringsmidler.
- ◆ Rengjør trimmertråden og spolen regelmessig ved hjelp av en myk børste eller tørr klut.
- ◆ Bruk en butt skraper til å fjerne gress og smuss fra undersiden av vernet med jevne mellomrom.

Oppbevaring

Hvis verktøyet ikke skal brukes på flere måneder, bør batteriet helst være koplet til laderen. Ellers gjør du som følger:

- ◆ Lad batteriet helt opp.
- ◆ Fjern batteriet fra verktøyet.
- ◆ Oppbevar verktøyet og batteriet på et sikkert og tørt sted. Omgivelsestemperaturen ved oppbevaring må alltid holdes innenfor området +5 °C til +40 °C. La batteriet stå på en plan overflate.
- ◆ Før du bruker verktøyet etter langvarig oppbevaring, må batteriet lades helt opp igjen.

Problemløsning

Hvis verktøyet ikke ser ut til å fungere som det skal, følger du instruksjonene nedenfor. Hvis dette ikke løser problemet, kontakter du et autorisert Black & Decker-serviceverksted.

Advarsel! Før du går videre, må du alltid ta ut batteriet.

Verktøyet går sakte

- ◆ Sjekk at spolehuset kan rotere fritt. Rengjør det nøye, om nødvendig.
- ◆ Sjekk at trimmertråden ikke stikker lenger ut enn 10-12 cm fra spolehuset. Hvis den gjør det, kutter du den av, slik at den når akkurat frem til skjærekniven.

Automatisk trådmating fungerer ikke

- ◆ Hold tappene inne, og fjern spolelokket fra huset.
- ◆ Løft spolen omtrent 6 mm, og trekk trimmertråden ut til den stikker 10-12 cm ut fra huset. Hvis det ikke er nok trimmertråd igjen på spolen, installerer du en ny spole med trimmertråd som forklart ovenfor.
- ◆ Trykk spolen på plass, og dreier den litt, til den sitter der den skal.
- ◆ Sett tappene på spoledekslet mot hullene i huset.
- ◆ Trykk dekslet på huset til det klikker på plass.

- ◆ Hvis trimmertråden stikker lengre ut enn til skjærekniven, kutter du den av, slik at den akkurat når frem til kniven.

Hvis den automatiske trådmatingen fremdeles ikke fungerer, kan du forsøke følgende:

- ◆ Rengjør spolehuset nøye.
- ◆ Ta ut spolen, og sjekk om hendelen kan bevegges fritt.
- ◆ Ta ut spolen, og vikle av trimmertråden. Vikle den så jevnt på igjen som forklart ovenfor. Sett spolen på plass som angitt.

Spolen sitter fast

- ◆ Hold tappene inne, og fjern spolelokket fra huset.
- ◆ Rengjør spolehuset nøye.
- ◆ Trykk dekslet på huset til det klikker på plass.

Miljøvern



Kildesortering. Dette produktet må ikke kastes i det vanlige husholdningsavfallet.

Hvis du finner ut at Black & Decker-produktet ditt må skiftes ut, eller hvis du ikke lenger har bruk for det, må du unnlate å kaste det sammen med det vanlige husholdningsavfallet. Sørg for at dette produktet gjøres tilgjengelig for kildesortering.



Kildesortering av brukte produkter og emballasje gjør det mulig å resirkulere materialer og bruke dem igjen. Gjenbruk av resirkulerte materialer bidrar til å forhindre forurensning av miljøet og reduserer behovet for råmaterialer.

Lokale regelverk kan legge tilrette for kildesortering av elektriske produkter fra husholdningen, ved kommunale deponier eller gjennom forhandleren når du kjøper et nytt produkt.

Black & Decker har tilrettelagt for innsamling og resirkulering av Black & Decker-produkter etter at de har utspilt sin rolle. Ønsker du å benytte deg av denne tjenesten, returnerer du produktet ditt til et autorisert serviceverksted, som tar det imot og formidler det videre.

Du kan få adressen til ditt nærmeste autoriserte serviceverksted ved å kontakte ditt lokale Black & Decker-kontor på adressen oppgitt i denne håndboken. Du kan også finne en komplett liste over autoriserte Black & Decker-serviceverksteder og utfyllende informasjon om vår etter salg-service og kontaktnumre på Internett på følgende adresse:

www.2helpU.com

Batterier



Black & Decker-batterier kan lades mange ganger.
Beskytt miljøet ved å levere kasserte batteriet til
kildesortering:

- ◆ Kjør batteriet til det er helt flatt og ta det så ut av verktøyet.
- ◆ NiCd-, NiMH- og Li-Ion-batterier kan resirkuleres. Ta dem med til en hvilken som helst autorisert forhandler eller en lokal kildesorteringsstasjon.

Tekniske data

GLC2500L (H2)	
Spenning	V _{DC} 18
Hastighet ubelastet	min ⁻¹ 6.800
Vekt	kg 3,2

Batteri A1518L	
Spenning	V _{DC} 18
Kapasitet	Ah 1,5
Vekt	kg 0,8

Lader 9053954*	
Spenning	V _{AC} 230
Utgangsspenning	V _{DC} 21
Amperetall	A 1.9
Ladetid, ca	h 1
Vekt	kg 0,5

Totalverdier, vibrasjon (triax vektorsum) bestemt ifølge
EN 786:
Vibrasjonsverdi (a_n) 4 m/s², usikkerhet (K) 1,5 m/s²

Samsvarserklæring for EU
MASKINDIREKTIVET
DIREKTIVET OM UNDERDØRS STØY



GLC2500L

Black & Decker erklærer at produktene som beskrives under
"tekniske data" oppfyller kravene til:
2006/42/EF, EN 60335-1, EN 60335-2-91

2000/14/EF, Plentrimmer, L ≤ 50 cm, Bilag VIII
KEMA Quality B.V., Utrechtseweg 310, 6802 ED Arnhem,
Nederland
Notified Body ID No.: 0344

Nivået av akustisk effekt i henhold til 2000/14/EF
(Artikkel 12, Bilag III, (6) L ≤ 50 cm):
L_{WA} (målt lydeffekt) 95 dB(A)
usikkerhet (K) = 3 dB(A)
L_{WA} (garantert lydeffekt) 96 dB(A)
usikkerhet (K) = 3 dB(A)

Disse produktene samsvarer også med direktivet 2004/108/EC.
For mer informasjon, kontakt Black & Decker på følgende
adresse eller se bakerst i håndboken.

Undertegnede er ansvarlig for sammenstillingen av den
tekniske filen og avgir denne erklæringen på vegne
av Black & Decker.

Kevin Hewitt
Visepresident, Global Engineering
Black & Decker Europe, 210 Bath Road, Slough,
Berkshire, SL1 3YD
Storbritannia
21/01/2010

Reservdeler / reparasjoner

Reservdeler kan kjøpes hos autoriserte Black & Decker serviceverksteder, som også gir kostnadsoverslag og reparerer våre produkter.

Oversikt over våre autoriserte serviceverksteder finnes på Internet, vår hjemmeside www.blackanddecker.no samt www.2helpU.com

Garanti

Black & Decker garanterer at produktet ikke har material- og/eller fabrikkasjonsfeil ved levering til kunde. Garantien er i tillegg til kundens lovlige rettigheter og påvirker ikke disse. Garantien gjelder innen medlemsstatene i den Europeiske Unionen og i det Europeiske Frihandelsområdet.

Hvis et Black & Decker produkt går i stykker på grunn av material- og/eller fabrikkasjonsfeil eller har mangler i forhold til spesifikasjonene, innen 24 måneder fra kjøpet, påtar Black & Decker seg å reparere eller bytte ut produktet med minst mulig vanskelighet for kunden.

Garantien gjelder ikke for feil som kommer av:

- ◆ normal slittasje
- ◆ feilaktig bruk eller vedlikehold (mislighold)
- ◆ at produktet har blitt skadet av fremmede gjenstander, emner eller ved et uhell

Det gjøres oppmerksom på at produktet ikke er beregnet på industriell/profesjonell/yrkesmessig bruk, men til hus- og hjemmebruk.

Garantien gjelder ikke om reparasjoner har blitt utført av noen andre enn et autorisert Black & Decker serviceverksted.

For å ta garantien i bruk skal produktet og kjøpekvitteing leveres til forhandleren eller til et autorisert serviceverksted senest 2 måneder etter at feilen har blitt oppdaget.

For informasjon om nærmeste autoriserte serviceverksted; kontakt det lokale Black & Decker kontoret på den adressen som er angitt i bruksanvisningen. En oversikt over alle autoriserte serviceverksteder samt servicevilkår finnes også tilgjengelig på Internet, adresse: www.2helpU.com

Vennligst stikk innom våre nettsider på www.blackanddecker.no for å registrere ditt nye Black & Decker-produkt og for å holde deg oppdatert om nye produkter og spesialtilbud. Du finner mer informasjon om Black & Decker og produktutvalget vårt på www.blackanddecker.no

Anvendelsesområde

Din Black & Decker græstrimmer er designet til trimning og færdiggørelse af græskanter og til græsslåning på begrænsede arealer. Værktøjet er kun beregnet til privat brug. Black & Decker laderen er designet til opladning af samme Black & Decker batterier, som leveres med dette værktøj.

Sikkerhedsinstruktioner

Generelt



Advarsel! Ved brug af batteridrevet værktøj skal de grundlæggende sikkerhedsforanstaltninger, herunder følgende, altid følges, således at risikoen for brand, lækkende batterier og person- og materialeskader begrænses.

- ◆ Læs denne brugsanvisning omhyggeligt igennem, inden værktøjet tages i brug.
- ◆ Du skal sikre dig, at du ved, hvordan værktøjet slukkes, inden det tages i brug.
- ◆ Apparatet skal bruges som beskrevet i denne brugsanvisning. Hvis der bruges noget som helst ekstraudstyr eller tilbehør, eller hvis der udføres noget som helst arbejde med dette værktøj, som ikke er anbefalet i denne instruktionsbog, er der risiko for personskader.
- ◆ Opbevar denne brugsanvisning til fremtidig brug.

Arbejdsområde

- ◆ Udsæt ikke værktøjet for regn.
- ◆ Anvend ikke værktøjet på fugtige eller våde steder.
- ◆ Brug kun værktøjet i dagslys eller med god kunstig belysning.

Personlig beskyttelse

- ◆ Bær kraftige sko eller støvler til beskyttelse af fødderne.
- ◆ Man må ikke arbejde med værktøjet, mens man har åbne sandaler på eller er barfodet.
- ◆ Bær lange bukser til beskyttelse af benene.

Brug af værktøjet

- ◆ Vær opmærksom. Hold øje med, hvad du foretager dig. Brug din sunde fornuft.
- ◆ Brug ikke værktøjet, når du er træt.
- ◆ Hvis værktøjet begynder at vibrere unormalt, skal det straks slukkes. Lad de roterende dele standse helt, og undersøg værktøjet for eventuelle skader og løse dele.

Andres sikkerhed

- ◆ Tillad ikke, at børn eller personer, der ikke har læst denne brugsanvisning, bruger apparatet.
- ◆ Børn, besøgende eller dyr må ikke nærme sig arbejdsområdet eller røre ved værktøjet.

- ◆ Husk, at brugeren kan gøres ansvarlig for ulykker eller skader, der påføres andre personer eller deres ejendom. Dette apparat er ikke egnet for at brug af personer (inklusive børn) med manglende evner, eller viden omkring produktet med mindre de har modtaget undervisning eller instruktioner i brug af apparatet fra en person, som er ansvarlig for sikkerheden. Der skal være opsyn med børn for at sikre, at de ikke leger med apparatet.

Efter brug

- ◆ Sluk græstrimmeren og forvis dig om, at de bevægelige dele er holdt op med at rotere, før værktøjet efterlades ubevogtet, samt før en eller flere dele af værktøjet ændres, renses eller undersøges.
- ◆ Når værktøjet ikke er i brug, skal det opbevares et tørt sted. Børn må ikke have adgang til værktøjet.

Undersøgelse og reparation

- ◆ Før brug skal værktøjet kontrolleres for skader eller defekte dele. Kontroller de bevægelige dele for skæv indstilling og sammenbrændinger, kontroller for brud på dele, skade på skærme og kontakter samt alt andet, der kan påvirke maskinens funktion.
- ◆ Værktøjet må ikke benyttes, hvis en af delene er beskadiget eller defekt. Brug ikke værktøjet, hvis det ikke kan tændes og slukkes vha. afbryderen.
- ◆ Brug aldrig værktøjet, hvis en af sikkerhedsskærmene eller afskærmningerne er beskadiget eller fjernet.
- ◆ Kontrollér, at værktøjet fungerer rigtigt og kan udføre det arbejde, det er beregnet til.
- ◆ Skadede eller defekte dele skal repareres eller udskiftes af en autoriseret tekniker.
- ◆ Forsøg aldrig at fjerne eller udskifte andre dele end dem, der er specificeret i denne brugsanvisning.

Yderligere sikkerhedsanvisninger til batterier og opladere

Batterier

- ◆ Man må aldrig forsøge at åbne et batteri.
- ◆ Udsæt det ikke for vand.
- ◆ Udsæt ikke batteriet for varme.
- ◆ Det må ikke opbevares i et lokale, hvor temperaturen overstiger 40 °C.
- ◆ Batteriet må kun oplades ved omgivelsestemperaturer mellem 4 °C og 40 °C.
- ◆ Oplad kun med den vedlagte oplader.
- ◆ Ved kassering af batterier, skal man følge vejledningen i afsnittet "Beskyttelse af miljøet".
- ◆ Undgå at deformere eller beskadige batteriet ved punktering eller stød, da dette kan give risiko for kvæstelser eller brand.
- ◆ Oplad ikke et beskadiget batteri.

Opladere

Advarsel! Din oplader er beregnet til en specifik netspænding. Før brug skal det kontrolleres, at netspændingen svarer til den, der er angivet på typeskiltet.

- ◆ Din Black & Decker lader må kun benyttes til Black & Decker batterier af samme slags som dem, der fulgte med værktøjet. Andre batterier kan eksplodere og derved forårsage personskader og skader på ting.
- ◆ Man må aldrig forsøge at genoplade ikke-opladelige batterier.
- ◆ Hvis el-ledningen er skadet, skal den udskiftes af producenten eller et autoriseret Black & Decker servicecenter for at undgå ulykker.
- ◆ Udsæt ikke opladeren for vand.
- ◆ Opladeren må ikke åbnes.
- ◆ Opladeren må ikke manipuleres.

Følgende symboler findes på opladeren:



Din oplader er dobbelt isoleret. Derfor er jordledning ikke nødvendig. Før brug skal det kontrolleres, at netspændingen svarer til den, der er angivet på typeskiltet. Forsøg aldrig at udskifte opladerenheden med et almindeligt netstik.



Opladeren er kun beregnet til indendørs brug.



Læs brugsanvisningen, før du tager værktøjet i brug.



Batteriet må kun oplades ved omgivelsestemperaturer mellem 4 °C og 40 °C.

Ekstra sikkerhedsvejledning til græstrimmere

Følgende advarselssymboler findes på værktøjet:



Det anbefales at bære sikkerhedsbriller, når man arbejder med dette værktøj.



Advarsel! Trimmertråden fortsætter med at løbe rundt i et par sekunder, efter at der er slukket for værktøjet. Man må aldrig tvinge tråden til standsning.



Hold mennesker og dyr mindst 6 meter fra græsslåningsområdet.



Udsæt ikke værktøjet for regn eller høj fugtighed.

- ◆ Vær fortrolig med knapperne og den korrekte brug af værktøjet.

- ◆ Brug kun værktøjet i dagslys eller med god kunstig belysning.
- ◆ Bær kraftige sko eller støvler til beskyttelse af fødderne.
- ◆ Bær lange bukser til beskyttelse af benene.
- ◆ Før du benytter værktøjet, skal du kontrollere, at slåområdet er fri for pinde, sten, ståltråd eller andre hindringer.
- ◆ Brug kun værktøjet, mens du står op med trimmertråden nede ved jorden. Indtag aldrig andre stillinger, når du tænder for værktøjet.
- ◆ Bevæg dig langsomt med værktøjet. Vær opmærksom på, at frisk afskåret græs er fugtigt og fedtet.
- ◆ Arbejd ikke på meget stejle skråninger. Arbejd på tværs af skråninger, ikke op og ned.
- ◆ Man må aldrig krydse grusstier eller veje, mens værktøjet er i gang.
- ◆ Man må aldrig røre ved trimmertråden, mens værktøjet er i gang.
- ◆ Sæt ikke værktøjet fra dig, før trimmertråden er fuldstændigt stoppet.
- ◆ Brug kun den rigtige type trimmertråd. Brug aldrig trimmertråd af metal eller fiskesnøre.
- ◆ Pas på, du ikke berører skærebladet til trimmertråden.
- ◆ Hold altid hænder og fødder væk fra trimmertråden, især når værktøjet startes.



Advarsel! Skærelementerne fortsætter med at rotere et stykke tid, efter at værktøjet er slukket.

- ◆ Brug aldrig værktøjet, hvis beskyttelseskærmen er beskadiget eller ikke er på plads.
- ◆ Sørg altid for, at ventilationsrillerne holdes fri for debris.

Elektrisk sikkerhed



Laderen er dobbelt isoleret; jordledning er derfor ikke påkrævet. Kontroller, om laderens spænding svarer til lysnettets spænding. Forsøg aldrig at udskifte laderenheden med et almindeligt netstik.

Funktioner

1. Afbryder
2. Låseknap
3. Hovedhåndtag
4. Støttehåndtag
5. Håndtagsgreb
6. Manchet til justering af håndtag
7. Manchet til funktionsjustering
8. Motorhus
9. Beskyttelseskærm
10. Skæreblad til trimmertråden
11. Kantskinne
12. Spolehus
13. Trimmertråd
14. Batteri

Fig. A

15. Lader

16. Opladningsindikator - "ladning i gang"

Montering**Advarsel!** Før montering skal batteriet altid afmonteres.**Isætning og udtagning af batteriet (fig. B)**

- ◆ Sæt batteriet (14) i ved at placere det på linje med værktøjets batteriholder. Dernæst placeres batteriet i holderen og skubbes på plads.
- ◆ Tag batteriet ud ved at trykke på udløserknappen (17) samtidig med, at batteriet tages ud af batteriholderen.

Samling af beskyttelsesskærmen (fig. C)

- ◆ Sæt tappen (18) fra afskærmningen ind i hullet (19).
- ◆ Placer tungen (20) i rillen (21), indtil den låses på plads.
- ◆ Sæt skruen i (22) og spænd den.

Påsætning af beskyttelsesskærmen (fig. D)**Advarsel!** Brug aldrig værktøjet, hvis beskyttelsesskærmen er beskadiget, eller hvis skærmen eller andet sikkerhedsudstyr ikke er på plads.

- ◆ Placer beskyttelsesskærmen (9) på værktøjet som vist, idet hullerne i beskyttelsesskærmen (23) skal passe til knopperne på værktøjet (24).
- ◆ Tryk på beskyttelsesskærmen, indtil den klikker på plads (A).
- ◆ Skub beskyttelsesskærmen frem (fig. B).
- ◆ Stram skrueene godt (25).

Advarsel! Brug aldrig værktøjet, hvis beskyttelsesskærmen ikke sidder ordentligt fast.**Isætning af en ny trimmertråd-spole (fig. E)**

Nye spoler med trimmertråd kan købes hos din Black & Decker-forhandler (katalognr. A6481).

- ◆ Tryk på knapperne (26) på spoledækslet (27), hold dem nede og fjern spoledækslet fra huset (12).
- ◆ Fjern den tomme spole (28) fra spolehuset.
- ◆ Fjern al snavs og græs fra spolehuset.
- ◆ Tag den nye spole, og vind ca. 12 cm af trimmertråden af.
- ◆ Før trimmertråden gennem hullet (29).
- ◆ Skub spolen fast på drevskaftet (30), og drej den let, indtil den sidder fast. Sørg for, at trimmertråden ikke sætter sig fast under spolen, og at 10-12 cm af trimmertråden stikker ud fra huset.
- ◆ Justér knapperne på spoledækslet efter hullerne i huset.
- ◆ Skub dækslet på huset, indtil det klikker sikkert på plads.

Advarsel! Hvis trimmertråden stikker frem uden for skærebladet til trimmeren (10), skal den skæres af, så den netop når skærebladet.**Sådan snoes en ny tråd på en tom spole (fig. F - H)**

Du kan sno en ny trimmertråd på en tom spole. Nye pakker med trimmertråd kan fås hos din Black & Decker-forhandler (katalognr. A6170 (25 m), A6171 (40 m)).

- ◆ Fjern den tomme spole fra værktøjet som beskrevet ovenfor.
- ◆ Fjern al gammel trimmertråd fra spolen (31) (fig. F).
- ◆ Stik 2 cm af trimmertråden ind i et af hullerne (32) i spolen som vist (fig. G).
- ◆ Bøj trimmertråden, og fæst den i den L-formede rille (33).
- ◆ Sno trimmertråden på spolen i pilens retning. Sørg for at sno tråden pænt og i lag. Lav ikke vindinger på kryds og tværs (fig. H).
- ◆ Når den vundne trimmertråd er nået til markeringerne (34), skæres tråden af. Lad tråden stikke ca. 12 cm ud fra spolen, og sæt en finger på tråden for at holde den på plads (fig. F).
- ◆ Fortsæt som beskrevet ovenfor med at sætte spolen på værktøjet.

Advarsel! Brug kun den rigtige type trimmertråd fra Black & Decker.**Restrisici.**

Der kan opstå yderligere restrisici under brugen af værktøjet, som ikke kan medtages i vedlagte sikkerhedsadvarsler. Disse risici kan opstå pga. forkert anvendelse, langvarig brug etc. Selv ved overholdelse af relevante sikkerhedsforskrifter og anvendelse af sikkerhedsudstyr kan visse restrisici ikke undgås. Disse omfatter:

- ◆ **Tilskadekomst forårsaget af berøring af roterende/ bevægelige dele.**
- ◆ **Tilskadekomst forårsaget af udskiftning af dele, blade eller tilbehør.**
- ◆ **Tilskadekomst forårsaget af langvarig brug af et værktøj. Husk at holde pause jævnlige ved brug af et værktøj i længere tid.**
- ◆ **Høreskader.**
- ◆ **Sundhedsrisici forårsaget af indånding af støv, der genereres ved brug af værktøjet (eksempel: Arbejde med træ, især, eg, bøg og MDF).**

Anvendelse**Advarsel!** Lad værktøjet arbejde i dets eget tempo. Det må ikke overbelastes.**Opladning af batteriet (fig. A)****Advarsel!** Batteriet må ikke oplades i omgivelsestemperaturer på under 4° C eller over 40° C.

Anbefalet opladningstemperatur: ca. 24° C.

Bemærk: Opladeren vil ikke oplade et batteri, hvis cellens temperatur er lavere end cirka 0 °C eller højere end 60 °C. Batteriet bør efterlades i opladeren, og opladeren vil så

automatisk begynde at oplade, når cellens temperatur stiger eller falder.

- ◆ Sæt opladeren (15) i stikket og tænd for kontakten.
- ◆ Sæt batteriet (14) i opladeren. Man skal sikre sig, at batteriet er fuldstændigt indsat i opladeren (15).

Opladeindikatoren (16) blinker nu gentagne gange (langsomt). Opladningen er fuldført, når opladeindikatoren (16) bliver ved med at lyse. Opladeren og batteriet kan være tilsluttet på ubestemt tid, mens lysdioden lyser. Lysdioden vil gå over til at blinke (opladning), hvis opladeren går over til kortvarigt at lade den sidste del af batteriet op. Opladningsindikatoren (16) lyser, så længe batteriet er tilsluttet den tændte oplader.

- ◆ Oplad flade batterier inden for 1 uge. Batteriets levetid vil falde betragteligt, hvis det opbevares i uopladt tilstand.

Opladningsindikatorer

Hvis opladeren opdager, at der er et problem med batteriet, vil opladningsindikatoren (16) blinke hurtigt. Gør som følger:

- ◆ Sæt batteriet (14) på plads igen.
- ◆ Hvis opladeindikatorerne fortsætter med at blinke hurtigt, så brug et andet batteri til at bestemme, om opladeprocessen virker som den skal.
- ◆ Hvis det nye batteri oplades, som det skal, er det oprindelige batteri defekt og bør returneres til en genbrugsplads for at blive genbrugt.
- ◆ Hvis det nye batteri afgiver samme indikation som det oprindelige batteri, så få opladeren testet hos et autoriseret servicecenter.

Bemærk: Det kan tage op til 15 minutter at bestemme, om batteriet er defekt. Hvis batteriet er for varmt eller for koldt, vil lysdioden skiftevis blinke langsomt og hurtigt - et blink ved hver hastighed og derefter gentage det.

Justering af placering af støttehåndtag (fig. I)

Støttehåndtaget (4) kan justeres, så det giver optimal balance og komfort.

- ◆ Lad beskyttelsesskærmen (9) hvile på jorden.
- ◆ Løsn håndtagsgrebet (5).
- ◆ Ryk håndtaget til den ønskede position.
- ◆ Stram håndtagsgrebet godt.

Justering af højden (fig. J)

Med teleskopskaftet (35) kan du indstille værktøjet til den mest behagelige højde.

- ◆ Løsn manchetten (6).
- ◆ Øg højden ved at trække skaftet ud.
- ◆ Reducér højden ved at skubbe skaftet sammen.
- ◆ Spænd manchetten.

Start og stop (fig. K)

For brugerens sikkerhed er dette værktøj udstyret med et dobbelt kontaktsystem. Dette system forhindrer dig i at starte værktøjet uforvarende.

Tænding

- ◆ Tryk låseknappen (2) tilbage med tommelfingeren og tryk samtidig på afbryderknappen (1).
- ◆ Slip låseknappen.

Slukning

- ◆ Løsn afbryderknappen (1).

Advarsel! Forsøg aldrig at fastlåse en knap, mens maskinen er tændt.

Indstilling af værktøjet til trimnings- eller kantklipningsindstilling (fig. L - N)

Værktøjet kan bruges i trimningsindstilling som vist på fig. L eller i kantklipningsindstilling for at trimme udhængende græs langs med græsplænekanten og blomsterbedene som vist på fig. M.

Trimningsindstilling (fig. L & N)

Til trimning skal trimmerens hoved være i den position, der er vist på fig. L. Hvis den ikke er det, skal du gøre følgende:

- ◆ Hold på det sekundære håndtag med den ene hånd, og tag manchetten (7) i den anden hånd som vist (fig. L).
- ◆ Skub manchetten i retning af trimmerhovedet, og drej den mod uret, indtil trimmerhovedet kommer i trimningsposition (fig. N).
- ◆ Løsn manchetten.
- ◆ Indstil kantguiden (11) til den tilbagetrukne position.

Kantklipningsindstilling (fig. M & N)

Til kantklipping skal trimmerens hoved være i den position, der er vist på fig. M. Hvis den ikke er det, skal du gøre følgende:

- ◆ Hold på det sekundære håndtag med den ene hånd, og tag manchetten (7) i den anden hånd som vist (fig. M).
- ◆ Skub manchetten i retning af trimmerhovedet, og drej den med uret, indtil trimmerhovedet kommer i kantklipningsposition (fig. N).
- ◆ Løsn manchetten.
- ◆ Indstil kantguiden (11) til den tilbagetrukne position.

Gode råd til optimalt brug (fig. L)

Trimning

- ◆ Hold værktøjet som vist på fig. L.
- ◆ Sving trimmeren blødt fra side til side som vist på fig. L.
- ◆ Hvis du arbejder i højt græs, skal du slå det i flere omgange fra toppen.
- ◆ Hold værktøjet væk fra hårde objekter og sarte planter.
- ◆ Hvis værktøjet begynder at køre langsomt, skal belastningen reduceres.

Kantklipping

Du opnår de mest optimale klipningsresultater på kanter, der er dybere end 50 mm.

- ◆ Brug ikke værktøjet til at lave kanter med. Brug i stedet en kantspade.
- ◆ Før værktøjet som vist på fig. L. Hold kantguiden op imod plænekanten.
- ◆ Stil værktøjet skråt, hvis du vil lave en tættere klipping.

Generelt

- ◆ Hvis du vil opnå optimale klipperesultater, skal du kun slå græs, når det er tørt.
- ◆ Hold om muligt batteriet tilsluttet opladeren og ligeledes opladeren tilsluttet strømmen, når værktøjet ikke er i brug.

Vedligeholdelse

Black & Decker værktøjet er designet til at være i drift i lang tid og med minimal vedligeholdelse. Forsat tilfredsstillende anvendelse afhænger af, at værktøjet behandles korrekt og gøres rent med regelmæssige mellemrum.

Opladeren kræver ingen anden vedligeholdelse end regelmæssig rengøring.

Advarsel! Før udførelse af vedligeholdelsesopgaver på værktøjet skal batteriet fjernes. Tag opladeren ud af stikkontakten før rengøring.

- ◆ Afmonter batteriet, og kontrollér det for skader efter hver anvendelse.
- ◆ Rengør regelmæssigt værktøjets ventilationshuller og oplader med en blød børste eller en tør klud.
- ◆ Man skal regelmæssigt gøre motorhuset rent med en fugtig klud. Man må ikke bruge slibemidler eller opløsningsmidler.
- ◆ Rens regelmæssigt trimmertråden og spolen med en blød børste eller en tør klud.
- ◆ Brug jævnligt en stump skraber til at fjerne græs og snavs fra undersiden af beskyttelseskærmen.

Opbevaring

Hvis værktøjet ikke skal bruges i flere måneder, er det bedst at lade batteriet være tilsluttet opladeren. Gør i modsat fald følgende:

- ◆ Oplad batteriet fuldstændigt.
- ◆ Fjern batteriet fra værktøjet.
- ◆ Opbevar værktøjet og batteriet tørt og sikkert. Opbevaringstemperaturen skal altid være mellem +5 °C og +40 °C. Sæt batteriet på en plan flade.
- ◆ Før værktøjet tages i brug igen efter længere tids opbevaring, skal batteriet oplades fuldt igen.

Fejlfinding

Hvis værktøjet ikke virker korrekt, skal du gøre følgende. Hvis det ikke løser problemet, kontaktes et Black & Decker servicecenter.

Advarsel! Før du fortsætter, skal du fjerne batteriet fra værktøjet.

Værktøjet kører langsomt

- ◆ Kontrollér, at spolehuset kan rotere frit. Rens det eventuelt.
- ◆ Kontrollér, at trimmertråden ikke stikker længere ud end 10-12 cm fra spolehuset. Hvis det er tilfældet, skal den skæres af, så den netop når skærebladet til trimmertråden.

Den automatiske trådføder virker ikke

- ◆ Hold knapperne inde, og fjern spoledækslet fra huset.
- ◆ Løft spolen ca. 6 mm, og træk i trimmertråden, til den stikker 10-12 cm ud fra huset. Hvis der ikke er tilstrækkelig meget tråd på spolen, skal du indsætte en ny spole trimmertråd som beskrevet ovenfor.
- ◆ Skub spolen på plads igen, og drej den let, indtil den sidder fast.
- ◆ Justér knapperne på spoledækslet efter hullerne i huset.
- ◆ Skub dækslet på huset, indtil det klikker sikkert på plads.
- ◆ Hvis trimmertråden stikker ud på den anden side af skærebladet på trimmeren, skal den skæres af, så den netop når skærebladet.

Hvis den automatiske trådføder stadig ikke virker, kan du prøve følgende:

- ◆ Rens omhyggeligt spolehuset.
- ◆ Fjern spolen, og kontrollér, at armen kan bevæge sig frit.
- ◆ Fjern spolen, og sno trimmertråden af. Vind den derefter pænt på spolen igen som beskrevet ovenfor. Sæt spolen på plads igen som beskrevet.

Spolen er blokeret

- ◆ Hold knapperne inde, og fjern spoledækslet fra huset.
- ◆ Rens omhyggeligt spolehuset.
- ◆ Skub dækslet på huset, indtil det klikker sikkert på plads.

Beskyttelse af miljøet



Separat indsamling. Dette produkt må ikke bortskaffes sammen med almindeligt husholdningsaffald.

Hvis du en dag skal udskifte dit Black & Decker produkt, eller hvis du ikke skal bruge det længere, må du ikke bortskaffe det sammen med husholdningsaffald. Dette produkt skal være tilgængeligt for separat indsamling.



Separat indsamling af brugte produkter og emballage gør det muligt at genbruge materialer. Genbrugte materialer forebygger miljøforurening og nedbringer behovet for råstoffer.

Lokale regler kan give mulighed for separat indsamling af elektriske husholdningsprodukter på kommunale lossepladser eller hos den forhandler, som du købte produktet af.

Black & Decker har en facilitet til indsamling og genbrug af Black & Decker-produkter, når deres levetid er slut. Få fordelene ved denne service ved at returnere produktet til en autoriseret tekniker, der samler værktøj sammen på vores vegne.

Du kan få oplyst den nærmeste autoriserede tekniker ved at kontakte det lokale Black & Decker-kontor på den adresse, der er angivet i denne brugsanvisning. Alternativt findes der en liste over autoriserede Black & Decker-teknikere og oplysninger om vores eftersalgsservice og kontaktpersoner på Internettet på adressen: www.2helpU.com

Batterier



Black & Decker batterier kan oplades mange gange. Ved endt teknisk levetid skal man kassere dem med omtanke for miljøet:

- ◆ Aflad batteriet fuldstændigt, og fjern det derefter fra værktøjet.
- ◆ NiCd-, NiMH- og Li-Ion-batterier kan genbruges. Bring dem til en autoriseret tekniker eller en lokal genbrugscentral.

Tekniske data

		GLC2500L (H2)
Spænding	V_{DC}	18
Ubelastet hastighed	min^{-1}	6.800
Vægt	kg	3,2

		A1518L
Spænding	V_{DC}	18
Kapacitet	Ah	1,5
Vægt	kg	0,8

		9053954*
Spænding	V_{AC}	230
Udgangsspænding	V_{DC}	21
Amperetal	A	1.9
Opladningstid (ca.)	h	1
Vægt	kg	0,5

Vibrationernes totale værdi (triax vector sum) i henhold til EN 786:

Vibrationsemissionsværdi (a_w) 4 m/s^2 , usikkerhed (K) 1,5 m/s^2

EU overensstemmelseserklæring

MASKINDIREKTIV
DIREKTIV FOR UDENDØRSSTØJ



GLC2500L

Black & Decker erklærer, at disse produkter, beskrevet under "tekniske data", overholder følgende: 2006/42/EC, EN 60335-1, EN 60335-2-91

2000/14/EF, Plæneklipper, $L \leq 50$ cm, Annex VIII
KEMA Quality B.V., Utrechtseweg 310, 6802 ED Arnhem,
Nederlandene
Notified Body ID No.: 0344

Niveau for akustisk kraft i overensstemmelse med 2000/14/EF (Artikel 12, Annex III, $L \leq 50$ cm):

L_{WA} (målt akustisk kraft) 95 dB(A)
usikkerhed (K) = 3 dB(A)

L_{WA} (garanteret akustisk kraft) 96 dB(A)
usikkerhed (K) = 3 dB(A)

Disse produkter er også i overensstemmelse med direktiv 2004/108/EF. For mere information, kontakt venligst Black & Decker på følgende adresse eller på adressen bagerst i brugsanvisningen.

Undertegnede er ansvarlig for kompilering af den tekniske fil og laver denne deklaration på vegne af Black & Decker.

Kevin Hewitt
Vice-President Global Engineering
Black & Decker Europe, 210 Bath Road, Slough,
Berkshire, SL1 3YD
Storbritannien
21/01/2010

Reserve dele / reparationer

Reserve dele kan købes hos autoriserede Black & Decker serviceværksteder, som giver forslag til omkostninger og reparerer vore produkter. Oversigt over vore autoriserede værksteder findes på internettet på vor hjemmeside www.blackanddecker.dk samt www.2helpU.com

Garanti

Black & Decker garanterer, at produktet er fri for materielle skader og/eller fabrikationsfejl ved levering til kunden. Garantien er et tillæg til konsumentens lovlige rettigheder og påvirker ikke disse. Garantien gælder indenfor medlemsstaterne af den Europæiske Union og i det Europæiske Frihandelsområde.

Hvis et Black & Decker produkt går i stykker på grund af materiel skade og/eller fabrikationsfejl eller på anden måde ikke fungerer i overensstemmelse med specifikationen, inden for 24 måneder fra købsdatoen, påtager Black & Decker sig at reparere eller ombytte produktet med mindst muligt besvær for kunden.

Garantien gælder ikke for fejl og mangler, der er sket i forbindelse med:

- ◆ normal slitage
- ◆ uheldige følger efter unormal anvendelse af værktøjet
- ◆ overbelastning, hærværk eller overdrevent intensivt brug af værktøjet
- ◆ ulykkeshændelse

Garantien gælder ikke hvis reparationer er udført af nogen anden end et autoriseret Black & Decker værksted.

For at udnytte garantien skal produktet og købskvitteringen indleveres til forhandleren eller til et autoriseret værksted, senest 2 måneder efter at fejlen opdages. For information om nærmeste autoriserede værksted: kontakt det lokale Black & Decker kontor på den adresse som er opgivet i brugsanvisningen. Liste over alle autoriserede Black & Decker serviceværksteder samt servicevilkår er tilgængelig på internettet, på adressen www.2helpU.com

Gå venligst ind på vores website www.blackanddecker.dk for at registrere dit nye produkt og for at blive holdt ajour om nye produkter og specialtilbud. Der findes yderligere oplysninger om mærket Black & Decker og vores produktsortiment på adressen www.blackanddecker.dk

Käyttötarkoitus

Black & Decker -nurmikonviimeistelijä on suunniteltu nurmikon reunojen viimeistelyyn ja nurmikon leikkaukseen ahtaissa paikoissa. Kone on tarkoitettu kotikäyttöön.

Black & Deckerin laturi on suunniteltu tämän työkalun mukana toimitetun Black & Decker -akun lataamiseen.

Turvaohjeet

Yleiset tiedot



Varoitus! Paristokäyttöisiä koneita käytettäessä on aina noudatettava mm. seuraavia turvallisuusohjeita, jotta tulipalojen, paristovuotojen, henkilövahinkojen ja materiaalivaurioiden riski olisi mahdollisimman pieni.

- ◆ Lue käyttöohje huolellisesti ennen koneen käyttöönottoa.
- ◆ Varmista, että osat sammuttaa koneen, ennen kuin käynnistät sen.
- ◆ Koneen käyttötarkoitus kuvataan tässä käyttöohjeessa. Käytä työkalua ainoastaan sellaiseen työhön, johon se on tarkoitettu, ja käytä vain käyttöohjeessa ja tuotekuvastossa suositeltuja tarvikkeita tai lisälaitteita. Ohjeesta poikkeava käyttö voi aiheuttaa onnettomuuden.
- ◆ Säilytä käyttöohje tulevaa tarvetta varten.

Työskentelyalue

- ◆ Älä altista konetta sateelle äläkä käytä sitä kosteissa tai märissä paikoissa.
- ◆ Älä käytä sitä kosteissa olosuhteissa.
- ◆ Käytä konetta vain päivänvalossa tai voimakkaassa keinovalauksessa.

Suojavaatetus

- ◆ Suojele jalkojasi käyttämällä tukevia kenkiä tai saappaita.
- ◆ Älä käytä konetta avojaloin tai avokärkiset sandaalit jalassa.
- ◆ Käytä pitkiä housuja suojataksesi jalkasi.

Työkalun käyttäminen

- ◆ Ole tarkkaavainen. Keskeytä työhösi. Käytä tervettä järkeä.
- ◆ Älä käytä sähkötyökalua, kun olet väsynyt.
- ◆ Mikäli työkalu alkaa täristä epänormaalisti, pysäytä se. Odota, kunnes pyörivät osat ovat pysähtyneet ja tarkista, onko kone vaurioitunut tai osat löystyneet.

Muiden turvallisuus

- ◆ Älä anna lasten tai kenenkään, joka ei ole lukenut tätä käyttöohjetta tai tutustunut koneeseen, käyttää konetta.
- ◆ Älä anna lasten, vieraiden tai eläinten tulla lähelle työskentelyaluetta tai koskea koneeseen.
- ◆ Muista, että käyttäjä on vastuussa muille ihmisille tai

heidän omaisuudelleen aiheutuvista onnettomuuksista tai vaaratilanteista.

Henkilöt (lapset mukaan lukien), joilla on fyysisiä, tunnellisia tai henkisiä rajoituksia tai rajallinen kokemus ja tuntemus, eivät saa käyttää tätä laitetta ellei heidän turvallisuudesta vastaava henkilö valvo tai ohjaa heitä laitteen käytössä. Lapsia on valvottava, etteivät he leiki koneen kanssa.

Käytön jälkeen

- ◆ Sammuta kone ja varmista, että liikkuvien osien pyörintä on loppunut, ennen kuin jätät työkalun ilman valvontaa sekä ennen minkään työkalun osan vaihtoa, puhdistusta tai tarkastusta.
- ◆ Kun konetta ei käytetä, säilytä sitä kuivassa paikassa. Varmista, että lapset eivät pääse käsiksi koneisiin.

Tarkastus ja korjaukset

- ◆ Tarkista ennen käyttöä, ettei koneessa ole vaurioita tai viallisia osia. Tarkista, etteivät liikkuvat ja muut osat sekä suoja ole viallisia, ja että kaikki muut käyttöön mahdollisesti vaikuttavat tekijät ovat kunnossa.
- ◆ Älä käytä työkalua, jos jokin sen osista on viallinen. Älä käytä työkalua, jos se ei käynnisty ja pysähdy virrankatkaisijasta.
- ◆ Älä koskaan käytä konetta, jos jokin suoja tai kotelo on vaurioitunut tai ei ole paikallaan.
- ◆ Varmista, että työkalu toimii oikein ja täyttää tehtävänsä.
- ◆ Viallinen osa tulee korjata tai vaihtaa valtuutetussa huoltoliikkeessä.
- ◆ Älä koskaan yritä irrottaa tai vaihtaa sellaisia osia, joista ei ole mainintaa tässä oppaassa.

Lisäturvaohjeet akuille ja latureille

Akut

- ◆ Älä koskaan yritä avata akkua.
- ◆ Älä altista akkua vedelle.
- ◆ Älä altista akkua kuumuudelle.
- ◆ Älä säilytä akkua paikassa, jonka lämpötila saattaa ylittää 40 °C.
- ◆ Lataa akku ainoastaan lämpötilan ollessa 10 °C ja 40 °C.
- ◆ Lataa akku käyttäen ainoastaan laitteen mukana toimitettua laturia.
- ◆ Kun poistat akun käytöstä, noudata kappaleessa "Ympäristö" annettuja ohjeita.
- ◆ Älä vaurioita tai muunna akkua pistoin tai iskuin, sillä tällöin on olemassa onnettomuus- ja tulipalovaara.
- ◆ Älä lataa vaurioituneita akkuja.

Laturit

Varoitus! Laturi on suunniteltu tietyille jännitteelle. Tarkista aina ennen laitteen käyttöä, että verkkojännite vastaa arvokilvessä ilmoitettua jännitettä.

- ◆ Käytä Black & Decker -laturia ainoastaan laitteen mukana toimitetun akun lataamiseen. Muunlaiset akut saattavat räjähtää aiheuttaen henkilö- ja esinevahinkoja.
- ◆ Älä koskaan yritä ladata ei-ladattavia akkuja.
- ◆ Jos sähköjohto on vaurioitunut, se saadaan vaihtaa vain valmistajalla tai valtuutetussa Black & Deckerin huoltoilikkeessä vaaratilanteiden välttämiseksi.
- ◆ Älä altista laturia vedelle.
- ◆ Älä avaa laturia.
- ◆ Älä vahingoita laturia.

Laturissa on seuraavat symbolit:



Laturi on kaksoiseristetty; siksi erillistä maadoitusta ei tarvita. Tarkista aina ennen laitteen käyttöä, että verkkojännite vastaa arvokilvessä ilmoitettua jännitettä. Älä koskaan yritä vaihtaa laturia normaaliin verkkovirtapistokkeeseen.



Laturi on tarkoitettu vain sisäkäyttöön.



Lue käyttöohje huolellisesti ennen käyttöä.



Lataa akku ainoastaan lämpötilan ollessa 10 °C ja 40 °C.

Lisäturvaohteet nurmikονviimeistelijälle

Koneessa on seuraavat varoitusmerkit:



Käytä suojalaseja konetta käyttäessäsi.



Varoitus! Leikkuulanka jatkaa pyörimistään lyhyen aikaa koneen sammutuksen jälkeen. Älä koskaan yritä pysäyttää lankaa, vaan anna sen pysähtyä itsestään.



Työskentele vähintään 6 m:n etäisyydellä ihmisistä ja eläimistä.



Älä altista konetta sateelle tai kosteudelle.

- ◆ Tutustu työkalun hallintaan ja sen virheettömään käyttötapaan.
- ◆ Käytä konetta vain päivänvalossa tai voimakkaassa keinovalaistuksessa.
- ◆ Suojele jalkojasi käyttämällä tukevia kenkiä tai saappaita.
- ◆ Käytä pitkiä housuja suojataksesi jalkasi.
- ◆ Tarkista ennen koneen käyttöä, ettei työskentelyalueella ole oksia, kiviä, metallilankaa tai muita esteitä.

- ◆ Käytä konetta vain pystysuorassa asennossa leikkuulanka lähellä maata. Älä koskaan käynnistä konetta missään muussa asennossa.
- ◆ Liiku hitaasti, kun käytät konetta. Muista, että juuri leikattu ruoho on kosteaa ja liukasta.
- ◆ Älä työskentele jyrkissä rinteissä. Työskentele rinteiden leveydeltä, älä ylös ja alas rinnettä.
- ◆ Älä koskaan kuljeta konetta sora- tai hiekkateiden yli langan pyöriessä.
- ◆ Älä koskaan kosketa leikkuulankaa koneen ollessa käynnissä.
- ◆ Älä laita konetta maahan, ennen kuin leikkuulanka on täysin pysähtynyt.
- ◆ Käytä ainoastaan oikean tyyppistä leikkuulankaa. Älä koskaan käytä metallista leikkuulankaa tai ongensiimaa.
- ◆ Älä koske langan leikkuuterään.
- ◆ Pidä kädet ja jalat poissa leikkuulangan tieltä etenkin, kun työkalu käynnistetään.



Varoitus! Leikkaavien osien pyöriminen jatkuu senkin jälkeen, kun koneen virta on katkaistu.

- ◆ Älä koskaan käytä konetta, jos jokin suoja on vaurioitunut tai ei ole paikallaan.
- ◆ Varmista, että ilmanvaihtaukot ovat puhtaita.

Sähköinen turvallisuus



Laturisi on kaksoiseristetty; siksi ei tarvita erillistä maadoitusta. Tarkista, että laturin jännite vastaa verkon jännitettä. Lataa akku ainoastaan mukana toimitetulla laturilla.

Ominaisuudet

1. Virrankatkaisija
2. Lukitusnappi
3. Pääkädensija
4. Lisäkädensija
5. Kädensijan säätöruuvi
6. Kädensijan säädin
7. Toimintatilan säädin
8. Moottorin kotelo
9. Suojus
10. Langan leikkuuterä
11. Reunaohjain
12. Kelakotelo
13. Leikkuulanka
14. Akku

Kuva A

15. Laturi
16. Latausvalo - lataus käynnissä

Kokoaminen

Varoitus! Poista akku koneesta aina ennen kokoamista.

Akun kiinnitys ja irrotus (kuva B)

- ◆ Kiinnitä akku (14) asettamalla se työkalun liitännän kanssa samaan linjaan. Liu'uta akkua liitännään, kunnes se lukittuu paikalleen.
- ◆ Poista akku painamalla vapautusnappia (17) samanaikaisesti, kun vedät akun irti.

Suojan asennus (kuva C)

- ◆ Aseta suojan tappi (18) aukkoon (19).
- ◆ Aseta kieleke (20) koloon (21), kunnes se lukkiutuu paikalleen.
- ◆ Asenna ruuvi (22) paikoilleen ja kiristä se.

Suojan kiinnittäminen (kuva D)

Varoitus! Älä koskaan käytä konetta, jos jokin suoja tai kotelo on vaurioitunut tai ei ole paikallaan.

- ◆ Aseta suoja (9) koneeseen kuvan mukaisesti. Kohdista suojan reiät (23) koneen ulokkeisiin (24).
- ◆ Paina suojaa, kunnes se napsahtaa paikalleen (A).
- ◆ Paina suojaa eteenpäin (B).
- ◆ Kiristä ruuvit (25) kunnolla.

Varoitus! Älä koskaan käytä konetta, jos suojaa ei ole kiinnitetty oikein paikalleen.

Uuden lankakelan kiinnittäminen (kuva E)

Uusia lankakeloja myyvät Black & Decker –tuotteiden jälleenmyyjät (tuotenro A6481).

- ◆ Pidä kielekkeitä (26) painettuna ja poista kelan suojuus (27) kotelosta (12).
- ◆ Poista tyhjä kela (28) kotelosta.
- ◆ Poista kaikki lika ja ruoho kotelosta.
- ◆ Vedä leikkuulankaa esiin uudelta kelalta noin 12 cm.
- ◆ Pujota leikkuulanka reiästä (29).
- ◆ Laita kela akseliin (30) ja kierrä kelaa hieman, kunnes se asettuu paikalleen. Varmista, että leikkuulanka ei jää kelan alle ja että sitä tulee ulos kotelosta 10-12 cm.
- ◆ Kohdista kelan suojuksen kielekkeet kotelon reikiin.
- ◆ Paina suojuus koteloon, kunnes se napsahtaa kiinni paikalleen.

Varoitus! Jos leikkuulanka ylettyy leikkuuterän (10) yli, leikkaa se lyhyemmäksi niin, että se on terän kohdalla.

Uuden langan kiertäminen tyhjään kelaan (kuva F - H)

Tyhjään kelaan on mahdollista kiertää uusi leikkuulanka.

Lankapakkausia myyvät Black & Decker –tuotteiden jälleenmyyjät (tuotenrot: A6170 (25 m), A6171 (40 m)).

- ◆ Poista tyhjä kela koneesta aiempien ohjeiden mukaisesti.
- ◆ Poista kaikki vanha leikkuulanka kelasta (31) (kuva F).
- ◆ Syötä 2 cm leikkuulankaa toiseen kelan rei'istä (32) kuvan mukaisesti (kuva G).

- ◆ Taita leikkuulanka ja kiinnitä se L-muotoiseen uraan (33).
- ◆ Kierrä leikkuulanka kelalle nuolen suuntaan. Kierrä lankaa tasaisesti eri kerroksiin. Älä kierrä sitä ristiin (kuva H).
- ◆ Kun leikkuulankaa on kierretty syvennykseen (34) asti, katkaise lanka. Anna lankaa tulla ulos kelalta noin 12 cm ja pidä lankaa paikallaan painamalla sitä somella (kuva F).
- ◆ Kiinnitä kela koneeseen aikaisempien ohjeiden mukaisesti.

Varoitus! Käytä vain Black & Deckerin suosittelemaa leikkuulankaa.

Jäännösriskit.

Jäännösriskit ovat mahdollisia, jos käytät työkalua muulla kuin turvavaroituksissa mainitulla tavalla. Nämä riskit voivat liittyä muun muassa virheelliseen tai pitkäaikaiseen käyttöön.

Tiettyjä jäännösriskkejä ei voi välttää, vaikka noudatat kaikkia turvamääräyksiä ja käytät turvalaitteita. Näihin kuuluvat muun muassa:

- ◆ **pyörievien tai liikkuvien osien koskettamisen aiheuttamat vahingot.**
- ◆ **osia, teriä tai lisävarusteita vaihdettaessa aiheutuneet vahingot.**
- ◆ **työkalun pitkäaikaisen käytön aiheuttamat vahingot**
Kun käytät työkalua pitkään, varmista, että pidät säännöllisesti taukoja.
- ◆ **kuulovauriot.**
- ◆ **työkalua käytettäessä (esimerkiksi puuta, erityisesti tammea, pyökkiä ja MDF-levyjä, käsiteltäessä) syntyneen pölyn sisäinhengityksen aiheuttamat terveysriskit.**

Käyttö

Varoitus! Anna koneen käydä omaan tahtiinsa.

Älä ylikuormita sitä.

Akun lataaminen (kuva A)

Varoitus! Älä lataa akkua alle 4 °C tai yli +40 °C asteen lämpötiloissa. Suositeltava latauslämpötila: noin +24 °C.

Huomautus: Laturi ei lataa akkua, jos kennon lämpötila on alle 0 °C tai yli 60 °C. Akku on jätettävä laturiin ja laturi käynnistää latauksen automaattisesti silloin, kun kennon lämpötila nousee tai laskee.

- ◆ Kytke laturi (15) verkkovirtaan ja kytke se päälle.
- ◆ Aseta akku (14) laturiin. Varmista, että akku on kunnolla laturissa (15).

Latauksen merkivalo (16) vilkkuu jatkuvasti (hitaasti). Lataus on suoritettu loppuun silloin, kun latauksen merkivalo (16) palaa jatkuvasti. Laturi ja akku voidaan jättää kytketyksi ilman aikarajoitusta LED-valon palaessa. LED-valo alkaa vilkkumaan (lataus käynnissä) laturin täyttyessä akun silloin tällöin. Latauksen merkivalo (16) palaa niin kauan kuin laite on kytkettynä laturiin.

- ◆ Lataa tyhjä akut 1 viikon sisällä. Akun käyttöikä vähenee huomattavasti, jos sitä säilytetään tyhjänä.

Latauksen merkivalot

Jos laturi havaitsee akussa jonkin ongelman, latauksen merkivalo (16) vilkkuu nopeaan tahtiin. Toimi seuraavasti:

- ◆ Aseta akku (14) uudelleen paikoilleen.
- ◆ Jos latauksen merkivalot vilkkuvat edelleen nopeasti, kokeile ladata toista akkua varmistaaksesi, että latausprosessi on virheetön.
- ◆ Jos laturi lataa toista akkua virheettömästi, ensimmäinen akku on viallinen ja se tulee palauttaa huoltoliikkeeseen sen kierrätystä varten.
- ◆ Jos uuden akun kohdalla käy samoin kuin ensimmäisen, vie laturi testattavaksi valtuutettuun huoltoliikkeeseen.

Huomautus: Akkuvikojen määrittämiseen voi mennä jopa 15 minuuttia. Jos akku on liian kuuma tai kylmä, LED-merkivalo vilkkuu vuorottain nopeasti ja hitaasti yhden kerran.

Lisäkädensijan asennon säätäminen (kuva I)

Lisäkädensijaa (4) voidaan säätää optimaalisen tasapainon ja käyttömukavuuden saavuttamiseksi.

- ◆ Anna suojan (9) nojata maahan.
- ◆ Löysää kädensijan säätöruuvia (5).
- ◆ Käänä kädensijaa haluttuun asentoon.
- ◆ Kiristä kädensijan säätöruuvi kunnolla.

Korkeuden säätäminen (kuva J)

Teleskooppivarren (35) ansiosta voit säätää koneen itsellesi sopivaan korkeuteen.

- ◆ Löysää istukkaa (6).
- ◆ Nosta korkeutta liu'uttamalla akselia ulos.
- ◆ Laske korkeutta liu'uttamalla akselia sisään.
- ◆ Kiristä istukkaa.

Käynnistys ja pysäytys (kuva K)

Turvallisuussyistä työkalussa on kaksoisvirrankatkaisija.

Tällä tavoin estetään työkalun käynnistyminen vahingossa.

Työkalun käynnistys

- ◆ Työnnä lukituspainiketta (2) taaksepäin peukalolla ja paina samanaikaisesti virrankatkaisijaa (1).
- ◆ Päästä irti lukitusnapista.

Työkalun pysäytys

- ◆ Päästä irti virrankatkaisijasta (1).

Varoitus! Älä koskaan yritä lukita virrankatkaisijaa käynnistysasentoon.

Koneen asettaminen viimeistely- tai reunaleikkuuasentoon (kuva L - N)

Konetta voidaan käyttää joko viimeistelyyn kuten kuvassa L tai reunaleikkuuseen ruohon leikkaamiseksi nurmikon ja kukkapenkien reunoilta kuten kuvassa M.

Viimeistely (kuva L & N)

Viimeistelyä varten leikkuupään tulee olla kuvan L mukaisessa asennossa. Jos näin ei ole, toimi seuraavasti:

- ◆ Pidä lisäkädensijasta kiinni toisella kädellä ja ota kiinni kääntöpyörästä (7) toisella kädellä kuten kuvassa (kuva L).
- ◆ Paina kääntöpyörää leikkuupäätä kohti ja kierrä sitä vastapäivään, kunnes leikkuupää lukkiutuu viimeistelyasentoon (kuva N).
- ◆ Päästä irti kääntöpyörästä.
- ◆ Aseta reunaohjain (11) taka-asentoon.

Reunaleikkuu (kuva M & N)

Reunaleikkuuta varten leikkuupään tulee olla kuvan M mukaisessa asennossa. Jos näin ei ole, toimi seuraavasti:

- ◆ Pidä lisäkädensijasta kiinni toisella kädellä ja ota kiinni kääntöpyörästä (7) toisella kädellä kuten kuvassa M.
- ◆ Paina kääntöpyörää leikkuupäätä kohti ja kierrä sitä myötäpäivään, kunnes leikkuupää lukkiutuu reunanleikkuuasentoon (kuva N).
- ◆ Päästä irti kääntöpyörästä.
- ◆ Aseta reunaohjain (11) taka-asentoon.

Vinkkejä parhaimman tuloksen saamiseksi (kuva L)

Viimeistely

- ◆ Pidä konetta kuten kuvassa L.
- ◆ Liikuta viimeistelijää pehmeästi puolelta toiselle kuvan L mukaisesti.
- ◆ Leikkaa pitkää ruohoa asteittain ylhäältä lähtien.
- ◆ Vältä kovia esineitä tai hentoja kasveja.
- ◆ Jos kone alkaa käydä hitaasti, vähennä kuormitusta.

Reunaleikkuu

Parhaimman tuloksen saa reunoissa, jotka ovat yli 50 mm syviä.

- ◆ Älä tee reunoja koneella. Tee reunat käyttäen sopivaa lapiota.
- ◆ Ohjaa konetta kuten kuvassa L. Pidä reunaohjain nurmikon reunaa vasten.
- ◆ Jos haluat leikata lähempää, kallista konetta hieman.

Yleiset tiedot

- ◆ Saadaksesi parhaimman tuloksen leikkaa ainoastaan kuivaa ruohoa.
- ◆ Pidä akku liitettynä laturiin ja laturi kytkettynä virtalähteeseen aina, kun kone ei ole käytössä.

Huolto

Black & Deckerin työkalu on suunniteltu toimimaan mahdollisimman pitkään aikaa mahdollisimman vähällä huollolla. Asianmukainen käyttö ja säännöllinen puhdistus takaavat koneen jatkuvan tyydyttävän toiminnan.

Laturi ei tarvitse säännöllisen puhdistamisen lisäksi mitään muuta huoltoa.

Varoitus! Poista akku ennen työkalun huoltamista. Irrota laturi virtalähteestä ennen puhdistamista.

- ◆ Irrota akku käytön jälkeen ja tarkista kone vaurioiden varalta.
- ◆ Puhdista koneen ja laturin ilma-aukot säännöllisesti pehmeällä harjalla tai kuivalla siivousliinalla.
- ◆ Puhdista työkalun kuori säännöllisesti kostealla siivousliinalla. Älä koskaan käytä puhdistamiseen liuotainaineita tai syövyttäviä puhdistusaineita.
- ◆ Puhdista leikkuulanka ja kela säännöllisesti pehmeällä harjalla tai kuivalla rievulla.
- ◆ Poista ruoho ja lika säännöllisesti suojan alapuolelta tylsällä kaapimella.

Säilytys

Jos konetta ei aiota käyttää useampaan kuukauteen, akun tulee olla liitettynä laturiin. Noudata muussa tapauksessa seuraavia ohjeita:

- ◆ Lataa akku täyteen.
- ◆ Poista akku koneesta.
- ◆ Säilytä konetta ja akku turvallisessa ja kuivassa paikassa. Säilytyspaikan lämpötilan täytyy aina olla +5 °C - +40 °C. Aseta akku tasaiselle alustalle.
- ◆ Lataa akku täyteen ennen kuin käytät konetta pitkäaikaisen säilytyksen jälkeen.

Vianmääritys

Jos kone ei näytä toimivan oikein, noudata seuraavia ohjeita. Jos tämä ei ratkaise ongelmaa, ota yhteyttä valtuutettuun Black & Deckerin huoltopisteeseen.

Varoitus! Poista akku koneesta, ennen kuin jatkat.

Kone käy hitaasti

- ◆ Tarkista, että kelan kotelo pääsee pyörimään esteettä. Puhdista se varovasti tarvittaessa.
- ◆ Tarkista, että leikkuulankaa ei tule ulos kelan kotelosta yli 10-12 cm. Jos se tulee, katkaise lanka niin, että se tulee lähemmäksi leikkuuterää.

Automaattinen langansyöttö ei toimi

- ◆ Pidä kielekkeitä painettuna ja poista kelan suojus kotelosta.
- ◆ Nosta kela noin 6 mm ja vedä leikkuulankaa, kunnes sitä tulee ulos kotelosta 10-12 cm. Jos kelalla ei ole tarpeeksi leikkuulankaa, asenna uusi leikkuulankakela aikaisempien ohjeiden mukaan.
- ◆ Paina kela takaisin ja pyöritä sitä hieman, kunnes se asettuu paikalleen.

- ◆ Kohdista kelan suojuksen kielekkeet kotelon reikiin.
- ◆ Paina suojus koteloon, kunnes se napsahtaa kiinni paikalleen.
- ◆ Jos leikkuulanka tulee ulos leikkuuterän yli, katkaise lanka niin, että se ulottuu juuri terään asti.

Jos automaattinen langansyöttö ei vielääkään toimi, kokeile seuraavia toimenpiteitä:

- ◆ Puhdista kelan kotelo huolellisesti.
- ◆ Poista kela ja tarkista, että sen vipu pääsee liikkumaan esteettä.
- ◆ Poista kela, pura leikkuulanka kelalta ja kierrä se sitten tasaisesti takaisin aikaisempien ohjeiden mukaisesti. Laita kela takaisin aikaisempien ohjeiden mukaisesti.

Kela on jumitunut

- ◆ Pidä kielekkeitä painettuna ja poista kelan suojus kotelosta.
- ◆ Puhdista kelan kotelo huolellisesti.
- ◆ Paina suojus koteloon, kunnes se napsahtaa kiinni paikalleen.

Ympäristö



Erillinen keräys. Tätä tuotetta ei saa hävittää normaalin kotitalousjätteen kanssa.

Kun Black & Decker -koneesi on käytetty loppuun, älä hävitä sitä kotitalousjätteen mukana. Tämä tuote on kerättävä erikseen.



Käytettyjen tuotteiden ja pakkausten erillinen keräys mahdollistaa materiaalien kierrätyksen ja uudelleenkäytön. Kierrätettyjen materiaalien uudelleenkäyttö auttaa ehkäisemään ympäristön saastumisen ja vähentää raaka-aineiden kysyntää.

Paikallisten säännösten mukaisesti on mahdollista viedä kotitalouksien sähkölaitteet kuntien kaatopaikoille tai jättää ne vähittäismyyjälle ostettaessa uusi tuote.

Black & Decker tarjoaa mahdollisuuden Black & Decker -tuotteiden keräykseen ja kierrätykseen sen jälkeen, kun ne on poistettu käytöstä. Jotta voisit hyötyä tästä palvelusta, palauta laitteesi johonkin valtuutettuun huoltoliikkeeseen, joka kerää laitteet meidän puolestamme.

Voit tarkistaa lähimmän valtuutetun huoltoliikkeen sijainnin ottamalla yhteyden Black & Deckerin toimistoon, joka sijaitsee tässä käsikirjassa annettussa osoitteessa. Lista valtuutetuista Black & Decker -huoltoliikkeistä sekä yksityiskohtaiset tiedot korjauspalvelustamme ovat vaihtoehtoisesti saatavilla Internetissä, osoitteessa www.2helpU.com

Akut



Black & Deckerin akut voidaan ladata useaan kertaan. Vie loppuunkäytetyt akut niille tarkoitettuun keräyspaikkaan tai -astiaan:

- ◆ Käytä akku täysin loppuun ja poista se sitten työkalusta.
- ◆ NiCd-, NiMH-, Li-Ion-akut ovat kierrätettäviä. Voit viedä ne mihin tahansa valtuutettuun huoltoliikkeeseen tai paikalliseen kierrätyskeskukseen. Kerätyt akut toimitetaan kierrätykseen tai käsitellään asianmukaisesti.

Tekniset tiedot

GLC2500L (H2)	
Jännite	V _{DC} 18
Kuormittamaton nopeus	min ⁻¹ 6.800
Paino	kg 3,2

Akku A1518L	
Jännite	V _{DC} 18
Teho	Ah 1,5
Paino	kg 0,8

Laturi 9053954*	
Jännite	V _{AC} 230
Lähtöjännite	V _{DC} 21
Ampeeriluku	A 1.9
Latausaika (noin)	h 1
Paino	kg 0,5

Tärinän kokonaisarvot (kolmiaks. vektorisumma) on määritetty seuraavan mukaisesti: EN 786

Tärinän päästöarvo (a_n) 4 m/s², epävarmuus (K) 1,5 m/s²

EU-vaatimustenmukaisuusvakuutus

KONEDIREKTIIVI
ULKOILMAMELUDIREKTIIVI



GLC2500L

Black & Decker julistaa, että kohdassa "tekniset tiedot" kuvatut tuotteet noudattavat seuraavia:
2006/42/EY, EN 60335-1, EN 60335-2-91

2000/14/EY, Nurmikonviimeistelijä, L ≤ 50 cm, Liite VIII
KEMA Quality B.V., Utrechtseweg 310, 6802 ED Arnhem,
Alankomaat
Notified Body ID No.: 0344

Akustisen tehon taso 2000/14/EY
(Artikkeli 12, Liite III, (6) L ≤ 50 cm) mukainen:

L_{WA} (mitattu ääniteho) 95 dB(A)
epävarmuus (K) = 3 dB(A)

L_{WA} (taattu ääniteho) 96 dB(A)
epävarmuus (K) = 3 dB(A)

Nämä tuotteet ovat myös direktiivin 2004/108/EY mukaisia.
Lisätietoja saa Black & Decker -yhtiöltä seuraavasta osoitteesta tai käyttöoppaan takana olevia yhteistietoja käyttäen.

Allekirjoittava henkilö on vastuussa teknisen tiedoston täyttämisestä ja tekee tämän ilmoituksen Black & Decker -yhtiön puolesta.

Kevin Hewitt
Vice-President Global Engineering
Black & Decker Europe, 210 Bath Road, Slough,
Berkshire, SL1 3YD
Iso-Britannia
21/01/2010

Korjaukset / varaosat

Mikäli koneeseen tulee vikaa, jätä se aina Black & Deckerin valtuuttamaan huoltoliikkeeseen korjattavaksi. Varaosia myyvät valtuutetut Black & Deckerin huoltoliikkeet, ja heiltä voi myös pyytää kustannusarvion koneen korjauksesta.

Tiedot valtuutetuista huoltoliikkeistä löytyvät internetistä osoitteesta www.2helpU.com sekä kotisivuiltamme www.blackanddecker.fi

Takuu

Black & Decker Oy takaa, ettei koneessa ollut materiaali- ja/tai valmistusvikaa silloin, kun se toimitettiin ostajalle. Takuu on lisäys kuluttajan laillisiin oikeuksiin eikä vaikuta niihin. Takuu on voimassa Euroopan Unionin jäsenmaissa ja Euroopan vapaakauppa-alueella (EFTA).

Mikäli Black & Decker -kone hajoaa materiaali- ja/tai valmistusvirheen tai teknisten tietojen epätarkkuuden vuoksi 24 kk:n kuluessa ostopäivästä, Black & Decker korjaa koneen ilman kustannuksia ostajalle tai vaihtaa sen uuteen Black & Decker Oy:n valinnan mukaan.

Takuu ei kata vikoja, jotka johtuvat koneen

- ◆ normaalista kulumisesta
- ◆ ylikuormituksesta, virheellisestä käytöstä tai hoidosta
- ◆ vahingoittamisesta vieraalla esineellä tai aineella tai onnettomuustapauksessa.

Takuu ei ole voimassa, mikäli konetta on korjannut joku muu kuin Black & Deckerin valtuuttama huoltoliike.

Edellytyksenä takuun saamiselle on, että ostaja jättää koneen ja ostokuitin jälleenmyyjälle tai valtuutetulle huoltoliikkeelle viimeistään 2 kuukauden kuluessa vian ilmenemisestä.

Tiedot valtuutetuista huoltoliikkeistä saa ottamalla yhteyttä Black & Decker Oy:hyn sekä internetistä osoitteesta www.2helpU.com, jossa on myös takuuehdot.

Voit vieraila verkkosivuiltamme www.blackanddecker.fi rekisteröidäksesi uuden Black & Decker-tuotteesi ja saadaksesi tietoa uusista tuotteista ja erikoistarjouksista. Saat lisätietoja Black & Deckerin tavaramerkistä ja tuotevalikoimastamme osoitteesta www.blackanddecker.fi

Ενδεδειγμένη χρήση

Η μηχανή φινιρίσματος χόρτου της Black & Decker έχει σχεδιαστεί για το φινιρίσμα χόρτου και άκρων (μπορντούρα), καθώς και για την κοπή χόρτου σε περιορισμένους χώρους. Αυτό το εργαλείο προορίζεται μόνο για ερασιτεχνική χρήση. Ο φορτιστής της Black & Decker έχει σχεδιαστεί για να φορτίζει μπαταρίες Black & Decker του τύπου που παρέχονται με αυτό το εργαλείο.

Οδηγίες ασφαλείας

Γενικές πληροφορίες



Προειδοποίηση! Κατά τη χρήση επαναφορτιζόμενων εργαλείων, θα πρέπει πάντα να λαμβάνονται οι βασικές προφυλάξεις ασφαλείας, για τον περιορισμό του κινδύνου πυρκαγιάς, διαρροής υγρού από μπαταρίες, σωματικών βλαβών και υλικών ζημιών.

- ◆ Πριν χρησιμοποιήσετε το εργαλείο, διαβάστε προσεκτικά τις παρακάτω οδηγίες.
- ◆ Πριν χρησιμοποιήσετε το εργαλείο αυτό, βεβαιωθείτε ότι γνωρίζετε πώς να σβήσετε το εργαλείο σε περίπτωση έκτακτης ανάγκης.
- ◆ Η ενδεδειγμένη χρήση περιγράφεται σε αυτό το εγχειρίδιο. Τόσο η χρήση εξαρτημάτων ή προσθηκών όσο και η πραγματοποίηση εργασιών που δεν συνιστώνται στις οδηγίες αυτές εγκυμονεί κίνδυνο τραυματισμού.
- ◆ Φυλάξτε το εγχειρίδιο αυτό για να μπορείτε να ανατρέξετε σε αυτό στο μέλλον.

Χώρος εργασίας

- ◆ Μην εκθέτετε ηλεκτρικά εργαλεία σε υγρασία.
- ◆ Μην χρησιμοποιείται το εργαλείο σε συνθήκες υγρασίας.
- ◆ Χρησιμοποιείτε το εργαλείο μόνο στο φως της ημέρας ή σε καλό τεχνητό φως.

Ατομική προστασία

- ◆ Να φοράτε χοντρά υποδήματα ή μπότες για να προστατέψετε τα πόδια σας.
- ◆ Μη χειρίζεστε το εργαλείο φορώντας ανοιχτές μπροστά σαγιονάρες ή ζυπόλητοι.
- ◆ Να φοράτε μακριά παντελόνια για να προστατέψετε τα πόδια σας.

Χρησιμοποιώντας το εργαλείο

- ◆ Να είστε πάντα προσεκτικοί. Παρακολουθείτε την εργασία σας. Ενεργείτε λογικά.
- ◆ Μη χρησιμοποιείτε το εργαλείο όταν είστε κουρασμένος.
- ◆ Αν το εργαλείο αρχίσει να δονείται αφύσικα, θέστε το αμέσως εκτός λειτουργίας.

Περιμένετε να σταματήσει η περιστροφή των κινητών μερών και επιθεωρήστε το εργαλείο για τυχόν ζημιές ή χαλαρωμένα εξαρτήματα.

Ασφάλεια τρίτων

- ◆ Μην επιτρέπετε σε μικρά παιδιά ή σε άτομα που δεν έχουν διαβάσει το εγχειρίδιο οδηγιών ή που δεν έχουν εξοικειωθεί με το μηχανήμα να το χρησιμοποιήσουν.
- ◆ Μην επιτρέπετε σε παιδιά, επισκέπτες ή ζώα να πλησιάζουν στο χώρο εργασίας ή να αγγίζουν το εργαλείο.
- ◆ Να έχετε υπόψη σας, ότι η ευθύνη για ατυχήματα ή κινδύνους για τρίτους ή την παρουσία τρίτων μπορεί να καταλογιστεί στον χειριστή.

Αυτή η συσκευή δεν προσδιορίζεται για χρήση από άτομα (συμπεριλαμβανοντας και τα παιδιά) με ελαττωμένες φυσικές, αισθητήριες και ψυχικές δυνατότητες, ή έλλειψη εμπειρίας και γνώσης, εκτός αν υπάρχει επιτήρηση ή οδηγίες για τη χρήση της συσκευής από έναν υπεύθυνο άτομο για την ασφάλεια τους. Τα παιδιά πρέπει να επιτηρηθούν για να βεβαιωθείτε ότι δεν παίζουν με το εργαλείο.

Μετά τη χρήση

- ◆ Σβήστε τη μηχανή και βεβαιωθείτε ότι σταμάτησε η περιστροφή των κινητών μερών πριν αφήσετε το εργαλείο χωρίς επίβλεψη και πριν αλλάξετε, καθαρίσετε ή επιθεωρήσετε οποιαδήποτε τμήματα του εργαλείου.
- ◆ Όταν δεν χρησιμοποιείται, το εργαλείο πρέπει να φυλάσσεται σε ξηρό χώρο. Τα παιδιά δεν πρέπει να έχουν πρόσβαση σε αποθηκευμένα εργαλεία.

Έλεγχος και επισκευές

- ◆ Πριν από τη χρήση, ελέγξτε προσεκτικά το εργαλείο για κατεστραμμένα ή ελαττωματικά μέρη. Ελέγξτε για τυχόν κακή ευθυγράμμιση και εμπλοκή των κινουμένων μερών, για εξαρτήματα που έχουν σπάσει, για τυχόν ζημιές στους προφυλακτήρες και στους διακόπτες και γενικά για κάθε είδους συνθήκες οι οποίες ενδεχομένως να επηρεάσουν τη λειτουργία του εργαλείου.
- ◆ Μη χρησιμοποιείτε το εργαλείο αν κάποιο εξάρτημά του παρουσιάζει ελάττωμα. Μη χρησιμοποιείτε το εργαλείο, εάν ο διακόπτης δεν μπορεί να το θέσει εντός ή εκτός λειτουργίας.
- ◆ Ποτέ μη χρησιμοποιείτε το εργαλείο όταν οποιοσδήποτε προφυλακτήρας ή περίβλημα έχει καταστραφεί ή δεν είναι στη θέση του.
- ◆ Βεβαιωθείτε ότι το εργαλείο λειτουργεί κανονικά και χρησιμοποιείται για τον σκοπό για τον οποίο προορίζεται.
- ◆ Ζητήστε από εξουσιοδοτημένο συνεργείο σέρβις την επισκευή ή την αντικατάσταση όλων των φθαρμένων ή ελαττωματικών εξαρτημάτων.
- ◆ Μην επιχειρήσετε ποτέ να αφαιρέσετε ή να αντικαταστήσετε εξαρτήματα εκτός αυτών που προσδιορίζονται σε αυτό το εγχειρίδιο.

Επιπρόσθετες οδηγίες ασφαλείας για μπαταρίες και φορτιστές



Διαβάστε τον εγχειρίδιο οδηγιών πριν τη χρήση.



Να τη φορτίζετε μόνο σε θερμοκρασία περιβάλλοντος μεταξύ 10 °C και 40 °C.

Μπαταρίες

- ◆ Μην επιχειρήσετε ποτέ να την ανοίξετε, για κανένα λόγο.
- ◆ Μην εκθέτετε την μπαταρία σε νερό.
- ◆ Μην εκθέτετε την μπαταρία σε θερμότητα.
- ◆ Μην την αποθηκεύετε σε χώρους όπου η θερμοκρασία μπορεί να υπερβεί τους 40 °C.
- ◆ Να τη φορτίζετε μόνο σε θερμοκρασία περιβάλλοντος μεταξύ 10 °C και 40 °C.
- ◆ Η φόρτιση πρέπει να γίνεται μόνο με το φορτιστή που παρέχεται με το εργαλείο.
- ◆ Σε ό,τι αφορά την απόρριψη των μπαταριών, ακολουθήστε τις οδηγίες που παρατίθενται στην ενότητα "Διάθεση εργαλείων και περιβάλλον".
- ◆ Μην προκαλείτε ζημιές ή παραμορφώσεις στη μπαταρία, τρυπώντας ή χτυπώντας τη, καθώς οι ενέργειες αυτές εγκυμονούν κίνδυνο τραυματισμού ή πυρκαγιάς.
- ◆ Μη φορτίζετε φθαρμένες μπαταρίες.

Πρόσθετες οδηγίες ασφαλείας για μηχανές φινιρίσματος χόρτου

Πάνω στο εργαλείο υπάρχουν τα ακόλουθα προειδοποιητικά σύμβολα:



Κατά τη χρήση αυτού του εργαλείου, να φοράτε προστατευτικά γυαλιά.



Προειδοποίηση! Το νήμα κοπής θα συνεχίσει να κινείται για μερικά δευτερόλεπτα μετά από το σβήσιμο του εργαλείου. Ποτέ μην επιχειρήσετε να φρενάρετε βεβιασμένα το νήμα.



Φροντίστε τα άλλα άτομα καθώς και ζώα να βρίσκονται σε απόσταση τουλάχιστον 6 μέτρων από την περιοχή κοπής.



Μην αφήνετε το εργαλείο εκτεθειμένο σε βροχή ή σε έντονη υγρασία.

Φορτιστές

Προειδοποίηση! Ο φορτιστής σας έχει σχεδιαστεί για συγκεκριμένες τάσεις. Ελέγχετε πάντα αν η τάση τροφοδοσίας αντιστοιχεί σε αυτήν που αναγράφεται στην πινακίδα χαρακτηριστικών.

- ◆ Χρησιμοποιήστε μόνο το φορτιστή της Black & Decker για τη φόρτιση μπαταριών του τύπου που συνοδεύει το εργαλείο σας. Σε άλλες μπαταρίες ενδέχεται να σημειωθεί διάρρηξη, προκαλώντας τραυματισμό και ζημιά.
- ◆ Μην επιχειρήσετε ποτέ να επαναφορτίσετε μη επαναφορτιζόμενες μπαταρίες.
- ◆ Αν το καλώδιο ρεύματος έχει υποστεί βλάβη, πρέπει να αντικατασταθεί από τον κατασκευαστή ή από εξουσιοδοτημένο Κέντρο Επισκευών Black & Decker ώστε να αποφευχθούν οι κινδύνους.
- ◆ Μην εκθέτετε το φορτιστή σε νερό.
- ◆ Μην ανοίγετε το φορτιστή.
- ◆ Μην επιχειρήσετε να διερευνήσετε το εσωτερικό του φορτιστή.

Στον φορτιστή σας υπάρχουν τα ακόλουθα σύμβολα:



Ο φορτιστής σας φέρει διπλή μόνωση, επομένως δεν απαιτείται σύρμα γείωσης. Ελέγχετε πάντα αν η τάση τροφοδοσίας αντιστοιχεί σε αυτήν που αναγράφεται στην πινακίδα χαρακτηριστικών. Ποτέ μην επιχειρήσετε να υποκαταστήσετε το φορτιστή με κοινή πρίζα ρεύματος.



Ο φορτιστής προορίζεται μόνο για χρήση σε εσωτερικούς χώρους.

- ◆ Εξοικειωθείτε με τον χειρισμό και τη σωστή χρήση του εργαλείου.
- ◆ Να χρησιμοποιείτε το εργαλείο μόνο στο φως της ημέρας ή σε καλό τεχνητό φως.
- ◆ Να φοράτε χοντρά υποδήματα ή μπότες για να προστατέψετε τα πόδια σας.
- ◆ Να φοράτε μακριά παντελόνια για να προστατέψετε τα πόδια σας.
- ◆ Πριν χρησιμοποιήσετε το εργαλείο, βεβαιωθείτε ότι στη διαδρομή κοπής σας δεν υπάρχουν κλαδιά, πέτρες, σύρματα ή οποιοδήποτε άλλο εμπόδιο.
- ◆ Χρησιμοποιήστε το εργαλείο μόνο στην κατακόρυφη θέση, με το νήμα κοπής κοντά στο έδαφος. Ποτέ μην ανάβετε το εργαλείο αν βρίσκεται σε οποιαδήποτε άλλη θέση.
- ◆ Να κινείστε αργά όταν χρησιμοποιείτε το εργαλείο. Να έχετε υπόψη σας ότι το φρεσκοκομμένο χόρτο είναι υγρό και γλιστερό.
- ◆ Μην εργάζεστε σε έδαφος με απότομες κλίσεις. Να κινείστε κατά το πλάτος της επικλινούς επιφάνειας και όχι πάνω και κάτω κατά τη διεύθυνση της κλίσης.
- ◆ Ποτέ μη διασχίζετε μονοπάτια με χαλίκια ή δρόμους όταν το εργαλείο είναι σε λειτουργία.
- ◆ Ποτέ μην αγγίζετε το νήμα κοπής όταν το εργαλείο είναι σε λειτουργία.
- ◆ Μην αφήνετε το εργαλείο στο έδαφος παρά μόνο εφόσον το νήμα κοπής έχει ακινητοποιηθεί εντελώς.

- ◆ Να χρησιμοποιείτε μόνο τον κατάλληλο τύπο νήματος κοπής. Ποτέ μη χρησιμοποιείτε μεταλλικό νήμα κοπής ή πετονιά.
- ◆ Προσέξτε να μην αγγίξετε τη λεπίδα αποκοπής νήματος.
- ◆ Σε καμία περίπτωση μην πλησιάζετε τα χέρια και τα πόδια σας στο νήμα κοπής, ειδικά όταν θέτετε σε λειτουργία το εργαλείο.



Προειδοποίηση! Το στοιχείο κοπής συνεχίζει να περιστρέφεται μετά την απενεργοποίηση του εργαλείου.

- ◆ Ποτέ μη χρησιμοποιείτε το εργαλείο με φθαρμένους προφυλακτήρες ή χωρίς να βρίσκονται οι προφυλακτήρες στη θέση τους.
- ◆ Θα πρέπει να προσέχετε τα ανοίγματα εξαερισμού να μην παρεμποδίζονται από σκουπίδια και άλλα αντικείμενα.

Ηλεκτρική ασφάλεια



Ο φορτιστής σας φέρει διπλή μόνωση. Κατά συνέπεια δε χρειάζεται καλώδιο γείωσης. Βεβαιωθείτε ότι η τάση του φορτιστή σας αντιστοιχεί με την τάση του δικτύου σας. Ποτέ μην επιχειρήσετε να υποκαταστήσετε το φορτιστή με κοινή πρίζα ρεύματος.

Χαρακτηριστικά

1. Διακόπτης on/off
2. Μπουτόν απασφάλισης
3. Κύρια λαβή
4. Βοηθητική λαβή
5. Μπουτόν λαβής
6. Κολάρο ρύθμισης λαβής
7. Κολάρο ρύθμισης λειτουργίας
8. Περιβλήμα κινητήρα
9. Προφυλακτήρας
10. Λεπίδα αποκοπής νήματος
11. Οδηγός μορνούρας
12. Περιβλήμα πομπίνας
13. Νήμα κοπής
14. Μπαταρία

Εικ. Α

15. Φορτιστής
16. Ενδειξη φόρτισης

Συναρμολογηση

Προειδοποίηση! Πριν από τη συναρμολόγηση, αφαιρείτε πάντα την μπαταρία.

Τοποθέτηση και αφαίρεση της μπαταρίας (εικ. Β)

- ◆ Για να τοποθετήσετε την μπαταρία (14), ευθυγραμμίστε την με την υποδοχή πάνω στο εργαλείο. Ολισθήστε τη μπαταρία μέσα στη θήκη και σπρώξτε τη μέχρι να κουμπώσει στη θέση της.
- ◆ Για να βγάλετε τη μπαταρία, πατήστε το κουμπί απελευθέρωσης (17) και τραβήξτε ταυτόχρονα τη μπαταρία έξω από τη θήκη.

Συναρμολόγηση προφυλακτήρα (εικ. C)

- ◆ Τοποθετήστε τον πείρο (18) του προφυλακτήρα μέσα στην οπή (19).
- ◆ Τοποθετήστε τη γλώσσα (20) στην εγκοπή (21) μέχρι να κουμπώσει στη θέση της.
- ◆ Τοποθετήστε τη βίδα (22) και σφίξτε τη.

Τοποθέτηση του προφυλακτήρα (εικ. D)

Προειδοποίηση! Ποτέ μη χρησιμοποιείτε το εργαλείο με τους προφυλακτήρες ή το προστατευτικό περίβλημα να είναι φθαρμένα ή χωρίς καθόλου προφυλακτήρες ή προστατευτικό περίβλημα.

- ◆ Τοποθετήστε τον προφυλακτήρα (9) πάνω στο εργαλείο, όπως απεικονίζεται, και ευθυγραμμίστε τις οπές (23) του προφυλακτήρα με τους σφιγκτήρες (24) που υπάρχουν στο εργαλείο.
- ◆ Πιέστε τον προφυλακτήρα μέχρι να κουμπώσει στη θέση του (Α).
- ◆ Σπρώξτε τον προφυλακτήρα προς τα εμπρός (Β).
- ◆ Σφίξτε καλά τις βίδες (25).

Προειδοποίηση! Ποτέ μη χρησιμοποιείτε τη μηχανή, εάν ο προφυλακτήρας δεν είναι σωστά τοποθετημένος στη θέση του.

Τοποθέτηση μιας νέας πομπίνας νήματος κοπής (εικ. Ε)

Ο αντιπρόσωπός σας της Black & Decker διαθέτει ανταλλακτικές πομπίνες νήματος κοπής (κωδικός Α6481).

- ◆ Κρατήστε τις γλωπίδες (26) πατημένες και αφαιρέστε το κάλυμμα της πομπίνας (27) από το περίβλημα (12).
- ◆ Αφαιρέστε την άδεια πομπίνα (28) από το περίβλημα.
- ◆ Αφαιρέστε από το περίβλημα τυχόν υπολείμματα ακαθαρσιών ή χόρτου.
- ◆ Πάρτε τη νέα πομπίνα και ξετυλίξτε περίπου 12 cm νήματος κοπής.
- ◆ Περάστε το νήμα κοπής από την οπή (29).
- ◆ Σπρώξτε την πομπίνα πάνω στον άξονα κίνησης (30) και περιστρέψτε την ελαφρά μέχρι να εφαρμόσει στη θέση της. Βεβαιωθείτε ότι η γραμμή κοπής δεν έχει παγιδευτεί κάτω από την πομπίνα και ότι προεξέχουν περίπου 10-12 cm νήματος από το περίβλημα.
- ◆ Ευθυγραμμίστε τις γλωπίδες στο κάλυμμα της πομπίνας με τις οπές που υπάρχουν στο περίβλημα.

- ◆ Σπρώξτε το κάλυμμα πάνω στο περίβλημα μέχρι να ασφαλίσει κανονικά στη θέση του.

Προειδοποίηση! Αν το νήμα κοπής εξέχει πέρα από τη λεπίδα αποκοπής νήματος (10), κόψτε το έτσι ώστε μόλις να φτάνει στη λεπίδα.

Τύλιγμα νέου νήματος σε άδεια πομπίνα (εικ. F – H)

Μπορείτε να τυλίξετε νέο νήμα κοπής σε άδεια μπομπίνα. Ο αντιπρόσωπός σας της Black & Decker διαθέτει ανταλλακτικά πακέτα νήματος κοπής (κωδικός A6170 (25 m), A6171 (40 m)).

- ◆ Αφαιρέστε την άδεια μπομπίνα από τη μηχανή, όπως περιγράφεται παραπάνω.
- ◆ Αφαιρέστε τυχόν παλιό νήμα κοπής από τη μπομπίνα (31) (εικ. F).
- ◆ Τροφοδοτήστε 2 cm νήματος κοπής σε μία από τις οπές (32) της μπομπίνας, όπως απεικονίζεται (εικ. G).
- ◆ Λυγίστε το νήμα κοπής και στερεώστε το στην εγκοπή σχήματος L (33).
- ◆ Τυλίξτε το νήμα κοπής στην πομπίνα προς την κατεύθυνση του βέλους. Φροντίστε το τύλιγμα του νήματος να γίνει ομαλά και σε ομοιόμορφα στρώματα. Μην κάνετε εναλλασσόμενη δισταύρωση (εικ. H).
- ◆ Όταν το τυλιγμένο νήμα κοπής φτάσει στις εσοχές (34), κόψτε το νήμα. Αφήστε το νήμα να εξέχει περίπου 12 cm από τη μπομπίνα και κρατήστε το με το δάχτυλό σας για να μην φύγει από τη θέση του (εικ. F).
- ◆ Τοποθετήστε την μπομπίνα στη μηχανή, σύμφωνα με τις οδηγίες που παρατίθενται παραπάνω.

Προειδοποίηση! Χρησιμοποιείτε μόνο νήμα κοπής κατάλληλου τύπου της Black & Decker.

Αναπόφευκτοι κίνδυνοι.

Μπορεί να προκληθούν επιπρόσθετοι αναπόφευκτοι κίνδυνοι όταν χρησιμοποιείτε το εργαλείο οι οποίοι μπορεί να μη συμπεριλαμβάνονται στις προειδοποιήσεις ασφαλείας που εσωκλείονται. Αυτοί οι κίνδυνοι μπορεί να προκληθούν από κακή χρήση, παρατεταμένη χρήση κτλ.

Ακόμα και με την τήρηση των σχετικών κανονισμών ασφαλείας και τη χρήση μέσων προστασίας, ορισμένοι κίνδυνοι δεν είναι δυνατόν να εξαλειφθούν. Αυτοί περιλαμβάνουν:

- ◆ Τραυματισμούς από το άγγιγμα των περιστρεφόμενων/κινούμενων μερών.
- ◆ Τραυματισμούς από αλλαγή οποιωνδήποτε εξαρτημάτων, λεπίδων ή αξεσουάρ.
- ◆ Τραυματισμούς από παρατεταμένη χρήση του εργαλείου. Όταν χρησιμοποιείτε οποιοδήποτε εργαλείο για παρατεταμένες χρονικές περιόδους βεβαιωθείτε ότι κάνετε τακτικά διαλείμματα.
- ◆ Προβλήματα ακοής.

- ◆ **Κίνδυνοι στην υγεία που προκαλούνται από την εισπνοή σκόνης όταν χρησιμοποιείτε το εργαλείο (παράδειγμα:- όταν επεξεργάζεστε ξύλο, ειδικά δρυς, οξιά και MDF.)**

Χρήση

Προειδοποίηση! Αφήστε το εργαλείο να λειτουργήσει με το δικό του ρυθμό. Μην το υπερφορτώνετε.

Φόρτιση μπαταρίας (εικ. A)

Προειδοποίηση! Μη φορτίζετε την μπαταρία σε θερμοκρασίες περιβάλλοντος κάτω των 4 °C ή άνω των 40 °C. Συνιστώμενη θερμοκρασία φόρτισης: περίπου 24 °C.

Σημείωση: Ο φορτιστής δεν θα φορτίσει τη μπαταρία, αν η θερμοκρασία της κυψελίδας είναι κάτω από 0 °C ή πάνω από 60 °C. Η μπαταρία πρέπει να παραμείνει στον φορτιστή μέχρι η φόρτιση να ξεκινήσει αυτόματα μόλις η θερμοκρασία της κυψελίδας αυξηθεί ή μειωθεί αντίστοιχα.

- ◆ Τοποθετήστε τον φορτιστή στην τρίζα (15) και βεβαιωθείτε ότι υπάρχει παροχή ρεύματος.
- ◆ Εισαγάγετε τη μπαταρία (14) στον φορτιστή. Βεβαιωθείτε ότι η μπαταρία έχει εφαρμόσει καλά στον φορτιστή (15).

Η ένδειξη φόρτισης (16) αναβοσβήνει συνεχώς (με αργό ρυθμό). Η φόρτιση έχει ολοκληρωθεί όταν η ένδειξη φόρτισης (16) παραμένει συνεχώς αναμμένη.

Ο φορτιστής και η μπαταρία μπορούν να παραμείνουν συνδεδεμένοι επ'αόριστον με αναμμένη την ενδεικτική λυχνία LED. Η ενδεικτική λυχνία LED θα αρχίσει να αναβοσβήνει (κατάσταση φόρτισης) καθώς ο φορτιστής ολοκληρώνει τη φόρτιση της μπαταρίας. Η ένδειξη φόρτισης (16) παραμένει αναμμένη όσο η μπαταρία είναι συνδεδεμένη στον φορτιστή τρίζας.

- ◆ Φορτίστε τις αποφορτισμένες μπαταρίες εντός μίας εβδομάδας. Η ζωή της μπαταρίας θα μειωθεί σημαντικά σε περίπτωση αποθήκευσης σε αποφορτισμένη κατάσταση.

Ενδείξεις φόρτισης

Όταν ο φορτιστής εντοπίζει κάποιο πρόβλημα στη μπαταρία, η ένδειξη φόρτισης (16) αναβοσβήνει με γρήγορο ρυθμό. Ακολουθήστε τις παρακάτω οδηγίες:

- ◆ Εισαγάγετε εκ νέου τη μπαταρία (14).
- ◆ Εάν η ένδειξη φόρτισης εξακολουθήσει να αναβοσβήνει με γρήγορο ρυθμό, χρησιμοποιήστε μια άλλη μπαταρία για να βεβαιωθείτε ότι η διαδικασία φόρτισης διενεργείται σωστά.
- ◆ Εάν η ανταλλακτική μπαταρία φορτίζεται σωστά, τότε η αρχική μπαταρία είναι ελαττωματική και πρέπει να παραδοθεί σε κέντρο σέρβις για ανακύκλωση.
- ◆ Εάν η καινούρια μπαταρία παρέχει την ίδια ένδειξη με την αρχική, παραδώστε τον φορτιστή για έλεγχο σε εξουσιοδοτημένο κέντρο σέρβις.

Σημείωση: Ο προσδιορισμός της μπαταρίας ως ελαττωματικής ή μη, ενδέχεται να διαρκέσει έως και 15 λεπτά. Εάν η μπαταρία είναι πολύ ζεστή ή πολύ ψυχρή, η ενδεικτική λυχνία LED θα αναβοσβήνει διαδοχικά με γρήγορο και αργό ρυθμό, επαναλαμβάνοντας μία λάμψη ανά ρυθμό.

Ρύθμιση της θέσης της βοηθητικής λαβής (εικ. Ι)

Η βοηθητική λαβή (4) μπορεί να ρυθμιστεί, προκειμένου να προσφέρει το καλύτερο δυνατό ζύγισμα και ξεκούραστη εργασία.

- ◆ Αφήστε τον προφυλακτήρα (9) να ακουμπήσει στο έδαφος.
- ◆ Χαλαρώστε το μπουτόν της λαβής (5).
- ◆ Μεικτινίστε τη λαβή σε όποια θέση θέλετε.
- ◆ Σφίξτε καλά το μπουτόν της λαβής.

Ρύθμιση του ύψους (εικ. J)

Ο τηλεσκοπικός άξονας (35) σας επιτρέπει να ορίσετε το εργαλείο σε ένα άνετο ύψος.

- ◆ Χαλαρώστε το κολάρο (6).
- ◆ Για να αυξήσετε το ύψος, σύρετε τον άξονα προς τα έξω.
- ◆ Για να μειώσετε το ύψος, σύρετε τον άξονα προς τα μέσα.
- ◆ Σφίξτε το κολάρο.

Θέση εντός και εκτός λειτουργίας (εικ. K)

Για την ασφάλειά σας, το εργαλείο διαθέτει διπλό σύστημα εκκίνησης. Το σύστημα αυτό προφυλάσσει από τυχόν αιφνίδια εκκίνηση του εργαλείου.

Θέση σε λειτουργία

- ◆ Πιέστε το μπουτόν ασφάλισης (2) προς τα πίσω με τον αντίχειρά σας και πιέστε ταυτόχρονα το διακόπτη λειτουργίας (on/off) (1).
- ◆ Αφήστε το κουμπί απασφάλισης.

Θέση εκτός λειτουργίας

- ◆ Ελευθερώστε τον διακόπτη λειτουργίας (on/off) (1).

Προειδοποίηση! Ποτέ μην επιχειρήσετε να ασφαλίσετε κάποιο διακόπτη στη θέση λειτουργίας (on).

Ρύθμιση του εργαλείου σε λειτουργία φινιρίσματος χόρτου ή άκρων (μπορντούρα) (εικ. L - N)

Το εργαλείο μπορεί να χρησιμοποιηθεί σε λειτουργία φινιρίσματος χόρτου όπως απεικονίζεται στην εικ. L ή σε λειτουργία φινιρίσματος άκρων, για το κόψιμο του προεξέχοντος χόρτου κατά μήκος του χλοοτάπητα, όπως απεικονίζεται στην εικ. M.

Λειτουργία φινιρίσματος χόρτου (εικ. L & N)

Για τη λειτουργία φινιρίσματος χόρτου, η κεφαλή φινιρίσματος πρέπει να βρίσκεται στη θέση της εικ. L. Αν δεν βρίσκεται σε αυτή τη θέση, ρυθμίστε την ως ακολούθως:

- ◆ Κρατήστε τη βοηθητική λαβή με το ένα χέρι και το περιλαίμιο (7) με το άλλο, όπως απεικονίζεται (εικ. L).

- ◆ Σπρώξτε το περιλαίμιο προς την κατεύθυνση της κεφαλής φινιρίσματος και περιστρέψτε το προς τα αριστερά, μέχρι να κουμπώσει η κεφαλή φινιρίσματος στη θέση φινιρίσματος χόρτου (εικ. N).
- ◆ Αφήστε το περιλαίμιο.
- ◆ Τοποθετήστε τον οδηγό μπορντούρας (11) στη θέση σύμπτυξης.

Λειτουργία φινιρίσματος άκρων (εικ. M & N)

Για το φινιρίσμα άκρων, η κεφαλή φινιρίσματος πρέπει να βρίσκεται στη θέση της εικ. M. Αν δεν βρίσκεται στη θέση αυτή, ρυθμίστε την ως ακολούθως:

- ◆ Κρατήστε τη βοηθητική λαβή με το ένα χέρι και το περιλαίμιο (7) με το άλλο, όπως απεικονίζεται (εικ. M).
- ◆ Σπρώξτε το περιλαίμιο προς την κατεύθυνση της κεφαλής φινιρίσματος και περιστρέψτε το προς τα δεξιά, μέχρι να κουμπώσει η κεφαλή φινιρίσματος στη θέση φινιρίσματος άκρων (εικ. N).
- ◆ Αφήστε το περιλαίμιο.
- ◆ Τοποθετήστε τον οδηγό μπορντούρας (11) στη θέση σύμπτυξης.

Συμβουλές για άριστη χρήση (εικ. L)

Φινιρίσμα χόρτου

- ◆ Κρατήστε το εργαλείο σύμφωνα με την εικ. L.
- ◆ Εργαστείτε κινώντας τη μηχανή φινιρίσματος χόρτου από τη μία πλευρά στην άλλη, όπως απεικονίζεται στην εικ. L.
- ◆ Κατά την κοπή χόρτου μεγάλου ύψους, εργαστείτε σε πολλά διαδοχικά περάσματα ξεκινώντας από την κορυφή.
- ◆ Φροντίστε η μηχανή να παραμένει μακριά από σκληρά αντικείμενα και από ευαίσθητα φυτά.
- ◆ Αν η μηχανή αρχίσει να ζορίζεται και να κινείται με μικρή ταχύτητα, ελαττώστε το φορτίο.

Φινιρίσμα άκρων (μπορντούρα)

Το καλύτερο αποτέλεσμα κοπής επιτυγχάνεται όταν το βάθος της μπορντούρας είναι μεγαλύτερο από 50 mm.

- ◆ Μη χρησιμοποιείτε τη μηχανή για τη δημιουργία μπορντούρας. Για να δημιουργήσετε μπορντούρα, χρησιμοποιήστε ένα εργαλείο δημιουργίας μπορντούρας.
- ◆ Οδηγήστε το εργαλείο όπως απεικονίζεται στην εικ. L. Φροντίστε ο οδηγός μπορντούρας να βρίσκεται αντικριστά με το άκρο του χόρτου.
- ◆ Για να διαμορφώσετε λίγο πιο βαθιά κοπή, γείρετε ελαφρά το εργαλείο.

Γενικές πληροφορίες

- ◆ Για να πετύχετε το καλύτερο δυνατό αποτέλεσμα, κόβετε το χόρτο μόνο όταν είναι στεγνό.
- ◆ Αν είναι δυνατό, φροντίστε η μπαταρία να παραμένει συνδεδεμένη με το φορτιστή και ο φορτιστής να είναι στο ρεύμα όποτε το εργαλείο δεν χρησιμοποιείται.

Συντήρηση

Αυτό το εργαλείο της Black & Decker έχει σχεδιαστεί έτσι ώστε να λειτουργεί για μεγάλο χρονικό διάστημα με την ελάχιστη δυνατή φροντίδα. Η αδιάλειπτη και κανονική λειτουργία του εργαλείου εξαρτάται από τη φροντίδα και τον τακτικό καθαρισμό.

Ο φορτιστής σας δεν απαιτεί καμία συντήρηση εκτός από τον τακτικό καθαρισμό του.

Προειδοποίηση! Πριν εκτελέσετε οποιαδήποτε εργασία συντήρησης στο εργαλείο, αφαιρέστε τη μπαταρία από το εργαλείο. Βγάλτε τον φορτιστή από την πρίζα πριν τον καθαρίσετε.

- ◆ Μετά τη χρήση αποσυνδέστε τη μπαταρία και ελέγξτε για ζημιές που ενδεχομένως να έχουν προκληθεί στο εργαλείο.
- ◆ Καθαρίζετε τακτικά τις οπές εξαερισμού του εργαλείου σας και του φορτιστή με μαλακή βούρτσα ή με στεγνό πανί.
- ◆ Να καθαρίζετε τακτικά το περίβλημα του μοτέρ χρησιμοποιώντας ένα υγρό πανί. Μη χρησιμοποιείτε αποξεστικά καθαριστικά ή υγρά καθαρισμού που περιέχουν διαλύτες.
- ◆ Καθαρίζετε τακτικά το νήμα κοπής και την μπομπίνα, χρησιμοποιώντας μαλακή βούρτσα ή στεγνό πανί.
- ◆ Χρησιμοποιείτε τακτικά μια ζύστρα, όχι κοφτερή, για να αφαιρέσετε το χόρτο και τις ακαθαρσίες από το κάτω μέρος του προφυλακτήρα.

Αποθήκευση

Όταν το εργαλείο δεν πρόκειται να χρησιμοποιηθεί για μερικούς μήνες, το καλύτερο θα ήταν να αφήσετε τη μπαταρία συνδεδεμένη στο φορτιστή. Στην αντίθετη περίπτωση, ενεργήστε ως ακολούθως:

- ◆ Φορτίστε πλήρως τη μπαταρία.
- ◆ Αφαιρέστε τη μπαταρία από το εργαλείο.
- ◆ Φυλάξτε το εργαλείο και τη μπαταρία σε ασφαλές και ξηρό χώρο. Η θερμοκρασία αποθήκευσης θα πρέπει πάντα να κυμαίνεται μεταξύ +5 °C και +40 °C. Τοποθετήστε τη μπαταρία σε οριζόντια επιφάνεια.
- ◆ Προτού χρησιμοποιήσετε το εργαλείο μετά από μια παρατεταμένη περίοδο αποθήκευσης, φορτίστε πλήρως τη μπαταρία και πάλι.

Αντιμετώπιση προβλημάτων

Αν η μηχανή δείχνει να μη λειτουργεί κανονικά, ενεργήστε σύμφωνα με τις οδηγίες που ακολουθούν. Αν, παρ' όλα αυτά, το πρόβλημά σας δεν λυθεί, επικοινωνήστε με το τοπικό εξουσιοδοτημένο σέρβις της Black & Decker.

Προειδοποίηση! Πριν προχωρήσετε, αφαιρέστε τη μπαταρία από το εργαλείο.

Το εργαλείο λειτουργεί σε χαμηλή ταχύτητα

- ◆ Ελέγξτε αν το περίβλημα της πομπίνας περιστρέφεται ελεύθερα. Καθαρίστε το προσεκτικά, αν χρειάζεται.
- ◆ Βεβαιωθείτε ότι το νήμα κοπής δεν εξέχει περισσότερο από 10-12 cm από το περίβλημα της πομπίνας. Αν το μήκος που εξέχει είναι μεγαλύτερο, κόψτε το ώστε μόλις να φτάνει τη λεπίδα αποκοπής νήματος.

Δε λειτουργεί η αυτόματη τροφοδοσία νήματος

- ◆ Κρατήστε τα αυτάκια πατημένα και αφαιρέστε το κάλυμμα της πομπίνας από το περίβλημα.
- ◆ Ανασηκώστε την πομπίνα κατά περίπου 6 mm και τραβήξτε το νήμα κοπής μέχρι που να προεξέχει κατά 10-12 cm από το περίβλημα. Αν το τμήμα που έχει μείνει πάνω στην πομπίνα δεν είναι επαρκές, τοποθετήστε νέα πομπίνα νήματος κοπής σύμφωνα με τις οδηγίες που παρατίθενται παραπάνω.
- ◆ Σπρώξτε την πομπίνα και πάλι στη θέση της και περιστρέψτε την ελαφρά μέχρι να εφαρμόσει καλά.
- ◆ Ευθυγραμμίστε τις γλωπίδες στο κάλυμμα της μπομπίνας με τις οπές που υπάρχουν στο περίβλημα.
- ◆ Σπρώξτε το κάλυμμα πάνω στο περίβλημα μέχρι να ασφαλίσει κανονικά στη θέση του.
- ◆ Αν το νήμα κοπής εξέχει πέρα από τη λεπίδα αποκοπής νήματος, κόψτε το έτσι ώστε μόλις να φτάνει στη λεπίδα.

Αν η αυτόματη τροφοδοσία νήματος εξακολουθεί να μη λειτουργεί, ακολουθήστε τις παρακάτω ενέργειες:

- ◆ Καθαρίστε προσεκτικά το περίβλημα της πομπίνας.
- ◆ Αφαιρέστε την πομπίνα και ελέγξτε αν ο μοχλός μπορεί να κινηθεί ελεύθερα.
- ◆ Αφαιρέστε την πομπίνα και ξετυλίξτε το νήμα κοπής, και στη συνέχεια τυλίξτε το προσεκτικά και πάλι, σύμφωνα με την παραπάνω περιγραφή. Αντικαταστήστε την πομπίνα σύμφωνα με τις οδηγίες.

Η πομπίνα έχει φρακάρει

- ◆ Κρατήστε τα αυτάκια πατημένα και αφαιρέστε το κάλυμμα της πομπίνας από το περίβλημα.
- ◆ Καθαρίστε προσεκτικά το περίβλημα της πομπίνας.
- ◆ Σπρώξτε το κάλυμμα πάνω στο περίβλημα μέχρι να ασφαλίσει κανονικά στη θέση του.

Διάθεση εργαλείων και περιβάλλον



Ξεχωριστή συλλογή. Αυτό το προϊόν δεν πρέπει να απορριφθεί με συνηθισμένα σπιτικά απορρίμματα.

Εάν κάποια μέρα διαπιστώσετε ότι το προϊόν σας Black & Decker χρειάζεται αντικατάσταση ή δεν σας χρησιμεύει πλέον, μην το απορρίψετε με τα σπιτικά απορρίμματα. Κάντε αυτό το προϊόν διαθέσιμο για ξεχωριστή συλλογή.



Η ξεχωριστή συλλογή χρησιμοποιημένων προϊόντων και συσκευασιών επιτρέπει την ανακύκλωση υλικών. Η επανάχρηση ανακυκλωμένων υλικών βοηθάει την προστασία του περιβάλλον και μειώνει την ζήτηση για σπάνια υλικά.

Οι τοπικοί κανονισμοί μπορεί να παρέχουν ξεχωριστή συλλογή ηλεκτρικών προϊόντων από κατοικίες, δημοτικές τοποθεσίες απορριμμάτων ή από τον έμπορα όταν αγοράσατε το καινούργιο προϊόν.

Η Black & Decker δίνει τη δυνατότητα συλλογής και ανακύκλωσης των προϊόντων της που έχουν συμπληρώσει τη διάρκεια ζωής τους. Αν θέλετε να χρησιμοποιήσετε την εν λόγω υπηρεσία, επιστρέψτε το προϊόν σας σε οποιοδήποτε εξουσιοδοτημένο κέντρο επισκευών, όπου θα το παραλάβουν εκ μέρους σας.

Ενημερωθείτε για το πλησιέστερο κέντρο επισκευών της περιοχής σας, επικοινωνώντας με τα γραφεία της Black & Decker στη διεύθυνση που αναγράφεται στο εγχειρίδιο. Επίσης, για να πληροφορηθείτε τα εξουσιοδοτημένα κέντρα επισκευών της Black & Decker και τις λεπτομέρειες και τους αρμόδιους των υπηρεσιών που παρέχονται μετά την πώληση, μπορείτε ανατρέξτε στο Διαδίκτυο στη διεύθυνση: www.2helpU.com

Μπαταρίες



Οι μπαταρίες Black & Decker μπορούν να επαναφορτιστούν πολλές φορές. Όταν πλέον δεν μπορούν να ξαναχρησιμοποιηθούν, απορρίψτε τις με τρόπο κατάλληλο για το περιβάλλον:

- ◆ Εξαντήστε πλήρως τη μπαταρία και μετά αφαιρέστε την από το εργαλείο.
- ◆ Οι μπαταρίες NiCd, NiMH και Li-Ion είναι ανακυκλώσιμες. Στείλτε τις σε κάποιο εξουσιοδοτημένο κέντρο επισκευών ή στον τοπικό σταθμό ανακύκλωσης.

Τεχνικά χαρακτηριστικά

GLC2500L (H2)	
Τάση	V _{DC} 18
Ταχύτητα άφορτου κίνησης	min ⁻¹ 6.800
Βάρος	kg 3,2

A1518L	
Τάση	V _{DC} 18
Χωρητικότητα	Ah 1,5
Βάρος	kg 0,8

9053954*	
Τάση	V _{AC} 230
Τάση εξόδου	V _{DC} 21
Αμπέραζ	A 1.9
Χρόνος φόρτισης κατά προσέγγιση	h 1
Βάρος	kg 0,5

Τιμές συνολικής δόνησης (άθροισμα τριαξονικών ανυσμάτων) αποφασισμένο σύμφωνα με EN 786:

Τιμή εκπομπής δόνησης (a_n) 4 m/s², αβεβαιότητα (K) 1,5 m/s²

Δήλωση συμμόρφωσης με την Ευρωπαϊκή Κοινότητα

ΟΔΗΓΙΑ ΠΕΡΙ ΜΗΧΑΝΗΜΑΤΩΝ
ΟΔΗΓΙΑ ΘΟΡΟΥ ΕΞΩΤΕΡΙΚΩΝ ΧΩΡΩΝ



GLC2500L

Η Black & Decker δηλώνει ότι αυτά τα προϊόντα που περιγράφονται στον τομέα "τεχνικά χαρακτηριστικά" είναι σε συμμόρφωση με:

2006/42/EC, EN 60335-1, EN 60335-2-91

2000/14/EK, Συσκευή φινιρίσματος χόρτου., L ≤ 50 cm,
Παράρτημα VIII

KEMA Quality B.V., Utrechtseweg 310, 6802 ED Arnhem,
Κάτω Χώρες
Notified Body ID No.: 0344

Επίπεδο ακουστικής ισχύς σύμφωνα με 2000/14/EK
(Άρθρο 12, Παράρτημα III, (6) L ≤ 50 cm):

L_{WA} (μετρημένη ισχύς ήχου) 95 dB(A)
αβεβαιότητα (K) = 3 dB(A)

L_{WA} (εγγυημένη ισχύς ήχου) 96 dB(A)
αβεβαιότητα (K) = 3 dB(A)

Αυτά τα προϊόντα συμμορφώνονται επίσης με την οδηγία 2004/108/EK. Για περισσότερες πληροφορίες, επικοινωνήστε με τη Black & Decker στη διεύθυνση που ακολουθεί ή στο πίσω μέρος του εγχειριδίου.

Ο υπογεγραμμένος είναι υπεύθυνος για τη σύνταξη του τεχνικού αρχείου και κάνει την παρών δήλωση εκ μέρους της Black & Decker.

Kevin Hewitt

Αντιπρόεδρος τμήματος παγκόσμιας μηχανολογίας
Black & Decker Europe, 210 Bath Road, Slough,
Berkshire, SL1 3YD
Ηνωμένο Βασίλειο
21/01/2010

Εγγύηση

Η Black & Decker είναι σίγουρη για την ποιότητα των προϊόντων της και παρέχει σημαντική εγγύηση. Η παρούσα γραπτή εγγύηση αποτελεί πρόσθετο δικαίωμά σας και δεν ζημιώνει τα συνταγματικά σας δικαιώματα. Η εγγύηση ισχύει εντός της επικράτειας των Κρατών Μελών της Ευρωπαϊκής Ένωσης και της Ευρωπαϊκής Ζώνης Ελευθέρων Συναλλαγών.

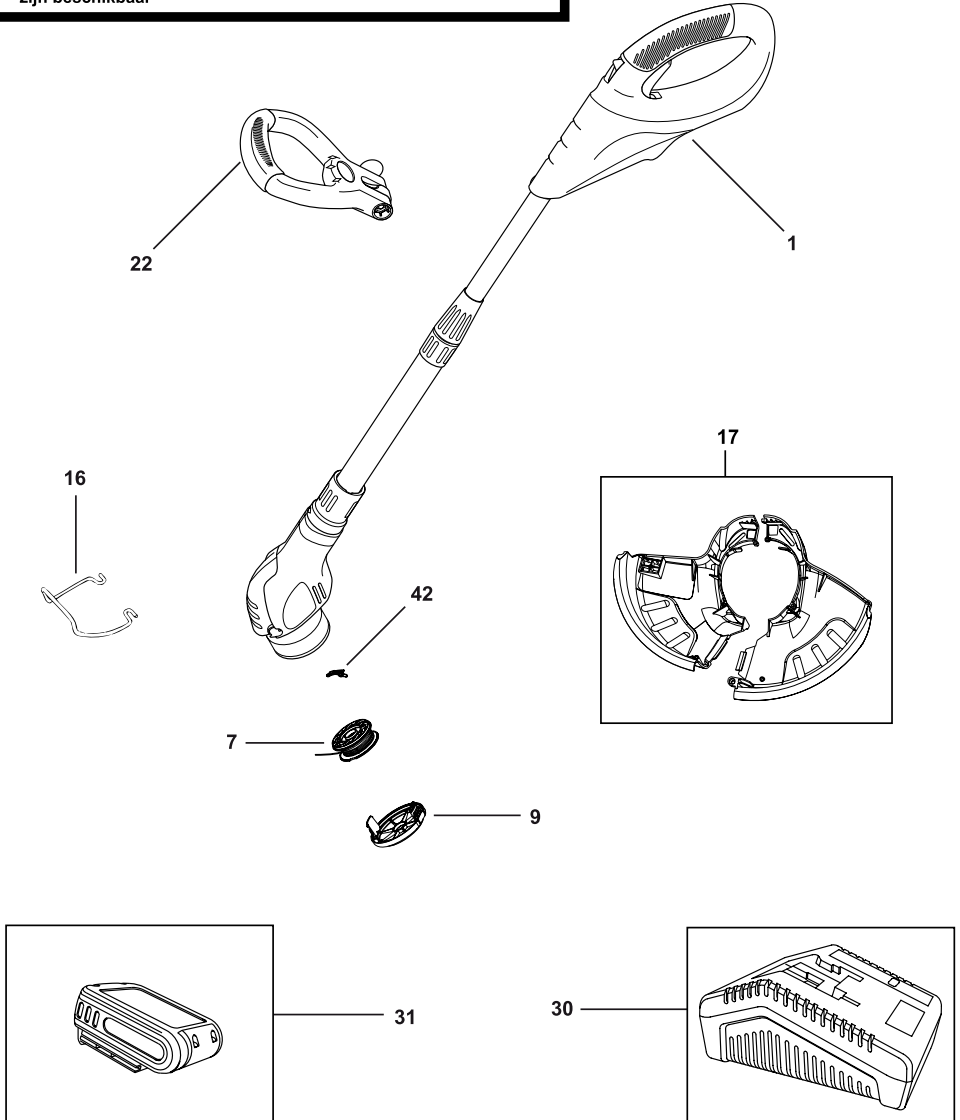
Σε περίπτωση που κάποιο προϊόν της Black & Decker παρουσιάσει βλάβη εξαιτίας ελαττωματικών υλικών, ποιότητας εργασίας ή έλλειψης συμφωνίας με τις προδιαγραφές εντός 24 μηνών από την ημερομηνία αγοράς, η Black & Decker εγγυάται την αντικατάσταση των ελαττωματικών τμημάτων, την επισκευή προϊόντων που έχουν υποστεί εύλογη φθορά λόγω χρήσης ή την αντικατάσταση των προϊόντων προκειμένου να εξασφαλίσει την ελάχιστη ενόχληση στους πελάτες της, εκτός αν:

- ◆ Το προϊόν έχει χρησιμοποιηθεί σε εργασιακό, επαγγελματικό περιβάλλον ή αν έχει εννοικιαστεί
- ◆ Έχει γίνει εσφαλμένη χρήση του προϊόντος ή αν έχει παραμεληθεί
- ◆ Το προϊόν έχει υποστεί βλάβη από άλλα αντικείμενα, από ουσίες ή λόγω ατυχήματος
- ◆ Έχει γίνει προσπάθεια επισκευής από μη εξουσιοδοτημένα κέντρα επισκευών ή από προσωπικό που δεν ανήκει στο προσωπικό της Black & Decker

Για να ισχύσει η εγγύηση, πρέπει να υποβάλετε απόδειξη αγοράς στον πωλητή ή το εξουσιοδοτημένο κέντρο επισκευών. Ενημερωθείτε για το πλησιέστερο κέντρο επισκευών της περιοχής σας, επικοινωνώντας με τα γραφεία της Black & Decker στη διεύθυνση που αναγράφεται στο εγχειρίδιο. Επίσης, για να πληροφορηθείτε για τα εξουσιοδοτημένα κέντρα επισκευών της Black & Decker, τις λεπτομέρειες και τους αρμόδιους των υπηρεσιών που παρέχονται μετά την πώληση, μπορείτε να ανατρέξετε στο Διαδίκτυο στη διεύθυνση: www.2helpU.com

Παρακαλούμε να επισκεφτείτε την ιστοσελίδα μας www.blackanddecker.eu για να καταχωρήσετε το νέο σας προϊόν Black & Decker και για να ενημερώνεστε για τα νέα προϊόντα και τις ειδικές προσφορές. Περισσότερες πληροφορίες σχετικά με τη μάρκα Black & Decker και τη σειρά προϊόντων μας θα βρείτε στη διεύθυνση www.blackanddecker.eu

Partial support - Only parts shown available
Nur die aufgeführten teile sind lieferbar
Reparation partielle - Seules les pieces indiquees sont disponibles
Supporto parziale - Sono disponibili soltanto le parti evidenziate
Solo estan disponibles las peizas listadas
So se encontram disponibles as pecas listadas
Gedeeltelijke ondersteuning - alleen de getoonde onderdelen
zijn beschikbaar



ENGLISH

Do not forget to register your product!

www.blackanddecker.co.uk/productregistration
Register your product online at www.blackanddecker.co.uk/productregistration or send your name, surname and product code to Black & Decker in your country

DEUTSCH

Vergessen Sie nicht, Ihr Produkt registrieren zu lassen!

www.blackanddecker.de/productregistration
Lassen Sie Ihr Produkt unter www.blackanddecker.de/productregistration online registrieren oder schicken Sie Ihren Nachnamen, Vornamen und den Produktcode an Black & Decker in Ihrem Land.

FRANÇAIS

N'oubliez pas d'enregistrer votre produit !

www.blackanddecker.fr/productregistration
Enregistrez votre produit en ligne sur www.blackanddecker.fr/productregistration ou envoyez vos nom, prénom et code produit à Black & Decker dans votre pays.

ITALIANO

Non dimenticate di registrare il prodotto!

www.blackanddecker.it/productregistration
Registrate il prodotto online su www.blackanddecker.it/productregistration o inviate nome, cognome e codice del prodotto al centro Black & Decker del vostro paese.

NEDERLANDS

Vergeet niet uw product te registreren!

www.blackanddecker.nl/productregistration
U kunt uw product online registreren op www.blackanddecker.nl/productregistration of u kunt uw voornaam, achternaam en productcode opsturen naar Black & Decker in uw land.

ESPAÑOL

¡No olvide registrar su producto!

www.blackanddecker.es/productregistration
Registre su producto on-line en www.blackanddecker.es/productregistration o envíe su nombre, apellidos y código de producto a Black & Decker en su país.

PORTUGUÊS

Não se esqueça de registar o seu produto!

www.blackanddecker.pt/productregistration
Registe o seu produto online em www.blackanddecker.pt/productregistration ou envie o seu nome, apelido e código do produto para a Black & Decker no seu país.

SVENSKA

Glöm inte att registrera produkten!

www.blackanddecker.se/productregistration
Registrera produkten online på www.blackanddecker.se/productregistration eller skicka namn och produktkod till Black & Decker i landet du bor i.

NORSK

Ikke glem å registrere produktet ditt!

www.blackanddecker.no/productregistration
Registrer produktet ditt online på www.blackanddecker.no/productregistration, eller send ditt navn, etternavn og produktkode til Black & Decker i ditt eget land.

DANSK

Glem ikke at registrere dit produkt!

www.blackanddecker.dk/productregistration
Registrer dit produkt på internettet på: www.blackanddecker.dk/productregistration tai läheta etunimesi, sukunimesi ja tuotekoodi Black & Decker i dit eget land.

SUOMI

Muistathan rekisteröidä tuotteesi!

www.blackanddecker.fi/productregistration
Rekisteröi tuotteesi verkossa osoitteessa www.blackanddecker.fi/productregistration ή στείlate το όνομα, επίθετο οman maasi Black & Decker -edustajalle.

ΕΛΛΗΝΙΚΑ

Μην ξεχάσετε να καταχωρίσετε το προϊόν σας!

www.blackanddecker.gr/productregistration
Καταχωρίστε το προϊόν σας σε σύνδεση στη σελίδα www.blackanddecker.gr/productregistration ή στείlate το όνομα, επίθετο σας και τον κωδικό πριοντωτός στη Black & Decker στη χώρα σας.

België/Belgique	Black & Decker (Belgium) N.V. Nieuwlandlaan 7 I.Z. Aarschot B156 3200 Aarschot	Tel. Fax	016 68 91 00 016 68 91 11
Danmark	Black & Decker Sluseholmen 2-4, 2450 København SV Internet: www.blackanddecker.dk	Tel. Fax	70 20 15 10 70 22 49 10
Deutschland	Black & Decker GmbH Black & Decker Str. 40, D - 65510 Idstein	Tel. Fax	06126/21 - 0 06126/21 29 80
Ελλάδα	Black & Decker (Ελλάς) Α.Ε. Σπύρβωνος 7 & Λεωφ. Βουλιαγμένης 159 166 74 Γλυφάδα - Αθήνα	Τηλ. Φαξ www.blackanddecker.eu	210 8981616 210 8983285
España	Black & Decker Ibérica, S.C.A. Parc de Negocis "Mas Blau" Edificio Muntadas, c/Bergadá, 1, Of. A6 08820 El Prat de Llobregat (Barcelona)	Tel. Fax	934 797 400 934 797 419
France	Black & Decker (France) S.A.S. 5 allée des Hêtres B.P. 30084 69579 Limonest Cédex	Tel. Fax	04 72 20 39 20 04 72 20 39 00
Helvetia	ROFO AG Gewerbezone Seeblick 3213 Kleinbödingen	Tel. Fax	026-6749391 026-6749394
Italia	Black & Decker Italia SpA Viale Elvezia 2 20052 Monza (MI)	Tel. Fax Numero verde	039-23871 039-2387592/2387594 800-213935
Nederland	Black & Decker Benelux Joulehof 12, 4622 RG Bergen op Zoom	Tel. Fax	0164 - 283000 0164 - 283100
Norge	Black & Decker (Norge) A/S Postboks 4814, Nydalen, 0422 Oslo Internet: www.blackanddecker.no	Tlf. Fax	22 90 99 00 22 90 99 01
Österreich	Black & Decker Vertriebsges.m.b.H Oberlaaerstraße 246, A1100 Wien	Tel. Fax	01 66116-0 01 66116-14
Portugal	Black & Decker Rua Egas Moniz 173 S. João do Estoril 2766-651 Estoril	Tel. Fax	214667500 214667580
Suomi	Black & Decker Oy Keilasatama 3, 02150 Espoo Black & Decker Oy, Kägelhamnen 3, 02150 Esbo	Puh. Faksi Tel. Fax	010 400 430 (09) 2510 7100 010 400 430 (09) 2510 7100
Sverige	Black & Decker AB Box 94, 431 22 Mölndal	Tel. Fax	031-68 60 60 031-68 60 80
United Kingdom	Black & Decker 210 Bath Road Slough, Berkshire SL1 3YD	Tel. Fax Helpline	01753 511234 01753 551155 01753 574277
Middle East & Africa	Black & Decker (Overseas) A.G. PB 5420, Dubai, United Arab Emirates	Tel. Fax	+971 4 2826464 +971 4 2826466