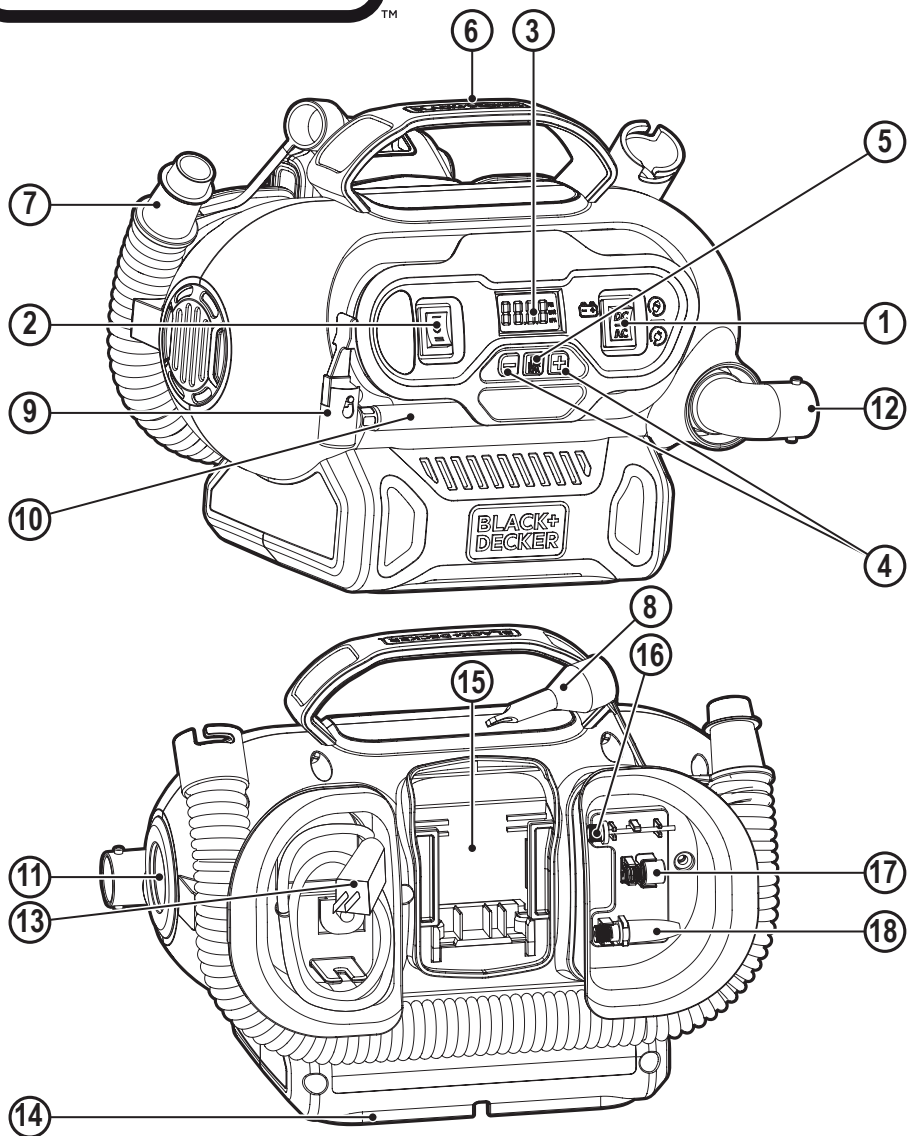
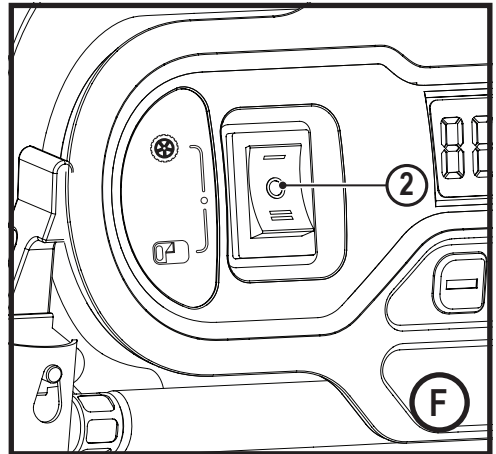
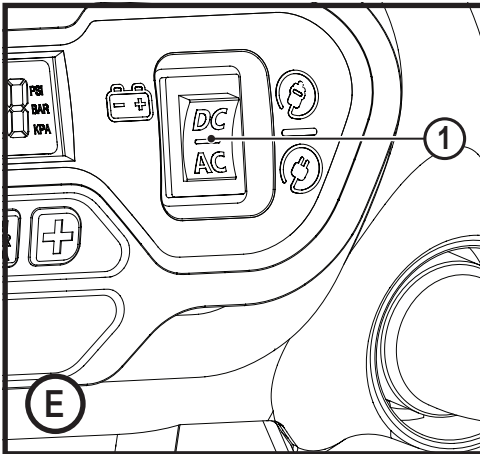
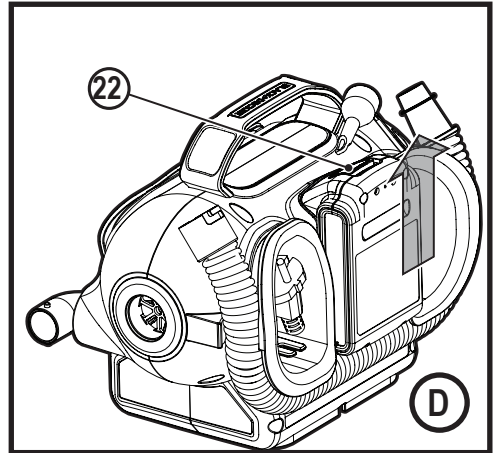
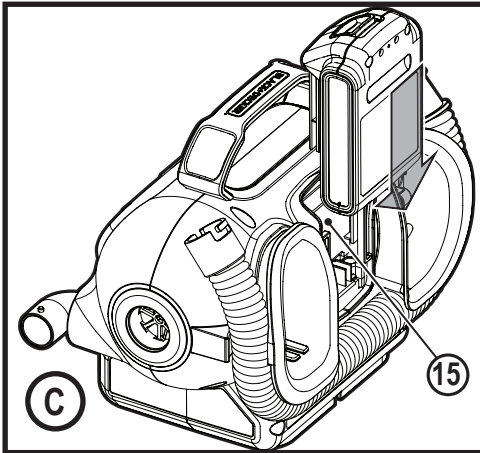
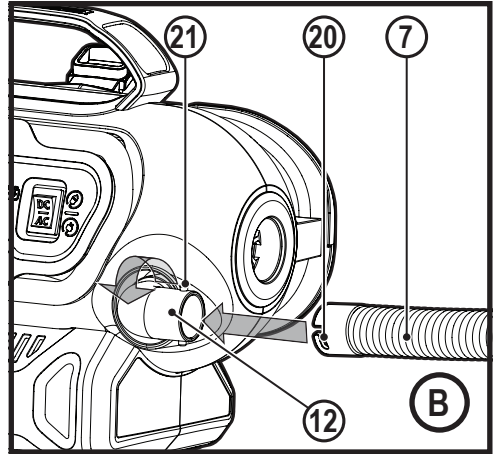
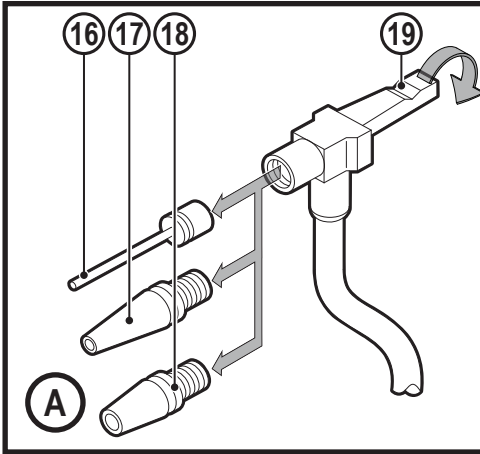


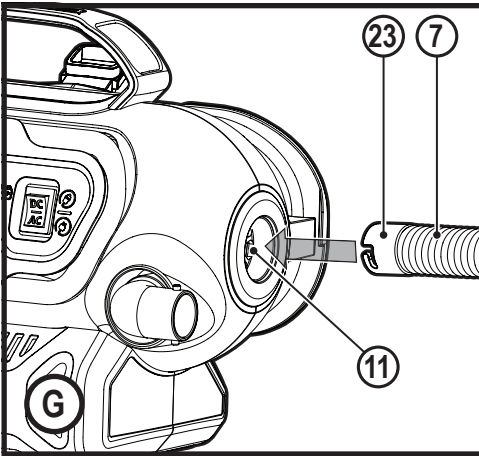
BLACK+ DECKER™



www.blackanddecker.eu

BDCINF18





- ◆ Retain this manual for future reference.
- ◆ This appliance is only to be used with the battery packs listed in the manual as cordless power.
- ◆ If the supply cord is damaged, it must be replaced by the manufacturer, its service agent or similarly qualified persons in order to avoid a hazard.

Using your appliance

- ◆ Do not use the appliance to pick up liquids or any materials that could catch fire.
- ◆ Do not immerse the appliance in water.
- ◆ Never pull the charger lead to disconnect the charger from the socket. Keep the charger lead away from heat, oil and sharp edges.

Intended use

Your BLACK+DECKER BDCINF18 Inflation station has been designed to be used cordless or in most vehicles from the standard 12 Volt socket to inflate car and bike tires, balls, rafts, air mattresses, swimming pool floats, etc. This appliance is intended for consumer use only.



Read all of this manual carefully before operating the appliance.

Safety instructions



Warning! Read all safety warnings and all instructions.

Failure to follow the warnings and instructions listed below may result in electric shock, fire and/or serious injury.

- ◆ The intended use is described in this manual. The use of any accessory or attachment or the performance of any operation with this appliance other than those recommended in this instruction manual may present a risk of personal injury.

Safety of others

- ◆ This tool is not intended for use by persons (including children) with reduced physical, sensory or mental capabilities, or lack of experience and knowledge, unless they have been given supervision or instruction concerning use of the tool by a person responsible for their safety.
- ◆ Children should be supervised to ensure that they do not play with the appliance.

Inspection and repairs

Before use, check the appliance for damaged or defective parts.

Check for breakage of parts, damage to switches and any other conditions that may affect its operation.

- ◆ Do not use the appliance if any part is damaged or defective.
- ◆ Have any damaged or defective parts repaired or replaced by an authorized repair agent.
- ◆ Regularly check the charger lead for damage. Replace the charger if the lead is damaged or defective.
- ◆ Never attempt to remove or replace any parts other than those specified in this manual.

Additional safety instructions

- ◆ Inflate bike tires, balls, rafts, swimming pool floats, air mattresses, and more in and around the home. Recommended maximum continuous duty at 65 psi is 2 minutes on with 5 minutes off.
- ◆ The compressed air from your inflator is not safe for breathing. Never inhale air from your inflator or from a breathing device connected to the inflator.
- ◆ Too much air pressure causes a hazardous risk of bursting. Check the manufacturer's maximum pressure rating for objects being inflated.
- ◆ Do not leave inflator running unattended. It could burst tires or other items.
- ◆ Use a tire gauge to check the tyres pressure before each use and while inflating tyres; see the tyre sidewall for the correct tyre pressure.

- ◆ Do not modify or attempt to repair. Never drill into, weld, or make any modifications to the inflator or its attachments.
- ◆ Operate only with the accessories included or air handling parts acceptable for not less than 160 psi.
- ◆ The use of any accessory not recommended for use with this tool could be hazardous.
- ◆ Never "horseplay." High pressure air is dangerous. Don't direct air-flow at yourself or others.

Warning! Always leave the valve adaptor lever open when not in use.

- ◆ Inflator can become hot during use. Allow inflator to cool 30 minutes before storing away.

After use

- ◆ Unplug the charger before cleaning.
- ◆ When not in use, the appliance should be stored in a dry place.
- ◆ Children should not have access to stored appliances.

Residual risks

Additional residual risks may arise when using the tool which may not be included in the enclosed safety warnings. These risks can arise from misuse, prolonged use etc.

Even with the application of the relevant safety regulations and the implementation of safety devices, certain residual risks can not be avoided. These include:

- ◆ Injuries caused by touching any rotating/moving parts.

- ◆ Injuries caused when changing any parts, blades or accessories.
- ◆ Injuries caused by prolonged use of a tool. When using any tool for prolonged periods ensure you take regular breaks.
- ◆ Impairment of hearing.
- ◆ Health hazards caused by breathing dust developed when using your tool (example:- working with wood, especially oak, beech and MDF.)

Batteries

- ◆ Never attempt to open for any reason.
- ◆ Do not expose the battery to water.
- ◆ Do not store in locations where the temperature may exceed 40 °C.
- ◆ Charge only at ambient temperatures between 10 °C and 40 °C.
- ◆ Charge only using the charger provided with the tool.
- ◆ If the appliance is to be stored unused for a long period, the batteries should be removed.
- ◆ When disposing of batteries, follow the instructions given in the section "Protecting the environment".



Do not attempt to charge damaged batteries.

Chargers

- ◆ Use your BLACK+DECKER charger only to charge the battery in the tool with which it was supplied. Other batteries could burst, causing personal injury and damage.
- ◆ Never attempt to charge non-rechargeable batteries.

- ◆ Have defective cords replaced immediately.
- ◆ Do not expose the charger to water.
- ◆ Do not open the charger.
- ◆ Do not probe the charger.

Electrical safety

Symbols on the charger



Read all of this manual carefully before using the appliance.



This tool is double insulated; therefore no earth wire is required. Always check that the power supply corresponds to the voltage on the rating plate.



The charger is intended for indoor use only.

Labels on appliance

The following symbols appear on this appliance along with the date code.



Warning! To reduce the risk of injury, the user must read the instruction manual.



Do not expose the appliance to rain or high humidity.



Before performing maintenance or cleaning on the appliance, unplug the supply cord.



Do not leave the inflator unattended.



Class II appliance

Features

This tool includes some or all of the following features.

1. AC/DC power switch
2. Mode power switch
3. LCD
4. Pressure setting buttons

5. Pressure Mode / Reset Button
6. Handle
7. High-volume hose
8. Tapered nozzle
9. Universal valve adapter
10. High-pressure hose
11. High-volume pump deflate connection
12. High volume pump inflator connection
13. 230V AC cord
14. 12V DC vehicle connector
15. 18V MAX* battery slot
16. Inflator needle valve
17. Brass coupler adapter
18. Tapered nozzle

Assembly

12V DC Cord Storage

- ◆ Wrap the 12V DC cord around the cord retainer located in the base of the inflator and snap the 12V DC connector (14) into its storage location on the cord retainer.

Air Hose Storage

- ◆ The high-pressure hose (10) is located in a storage channel around the face of the unit. Wrap the highpressure hose inside the channel.

High-Volume Hose Storage

- ◆ The high-volume hose (7) is located in a storage channel around the back of the unit. Wrap the high-volume hose inside the channel.

Accessories Storage

- ◆ The accessories (16) (17) (18) are stored in the back of the unit inside the accessory storage area.

Fitting the accessories

Universal valve adapter (Fig. A)

- ◆ Your inflator is supplied with the standard tapered nozzle (18) , a brass coupler (17) , and the inflator needle valve (16) , located on the back of the unit.
- ◆ To use the universal valve adaptor (9) , make sure the lever is in the up position.
- ◆ Place the valve adapter over the stem of the inflator needle valve, brass coupler adaptor or tapered nozzle.
- ◆ Press the lever (19) on the universal valve adapter down to lock it in place.
- ◆ Place the inflator needle valve, brass coupler adapter or tapered nozzle into the item to be inflated.

Note: Always make sure that the lever is in the up position when not in use. Operate your inflator only with the universal valve adapter or with the included nozzles.

Note: Make sure the universal valve adapter is firmly locked in place before turning the inflator on.

High-volume hose (Fig. B)

- ◆ Remove the high-volume hose 7 from the storage location.
- ◆ Line up the notches 20 of the hose with the nubs (21) of the high volume pump inflator connection (12) . Then, slide the hose on and twist counter-clockwise to secure.
- ◆ To remove, twist the hose clockwise and slide hose off.

Note: Many inflatables have an internal flap that prevents air loss during inflation, especially air mattresses. Unless this flap is displaced by the nozzle the inflatable will not inflate. Push the nozzle firmly into the valve to make sure that you push this flap out of the way.

Warning! Risk of Bursting. Excessive air pressure may cause a hazardous risk of bursting or personal injury. Check the manufacturer's maximum pressure rating for items being inflated.

Note: If the pressure rating for the item being inflated is above 100 psi, note that the maximum run time is 10 minutes, leave to rest for 20 minutes before reusing.

Operation

Warning! To reduce the risk of serious personal injury, turn unit off and disconnect it from power source and remove the battery pack before making any adjustments or removing/ installing attachments or accessories. An accidental start-up can cause injury.

Warning! Do not operate the inflator when the car engine is running.

Note: Make sure that your 12 Volt accessory socket is live. On some vehicles the accessory socket may only become live when the ignition key is in the accessory position.

Installing and Removing the Battery Pack (Fig. C, D)

Note: For best results, make sure your battery pack is fully charged.

- ◆ To install the battery pack into the battery port (15) , align the battery pack with the rails inside the battery port and slide it into the handle until the battery pack is firmly seated in the tool and ensure that it does not disengage.
- ◆ To remove the battery pack from the tool, press the release button (22) and firmly pull the battery pack out of the tool handle. Insert it into the charger as described in the charger section of this manual.

Switching On (Fig. E, F)

Warning! Risk of Bursting. Do not leave unit running unattended. Overinflation of tires and other items could result in serious injury and property damage.

Note: When power is supplied to the inflator by 12v, 20v battery, or 230V AC the LCD display will remain on for approximately 10 minutes before the display shuts off/goes into sleep mode.

This occurs when the unit is not operating.

To wake up the system, the user will need to push the pressure mode / reset button (5) . At this time the LCD will turn on and the inflator is ready for use.

- ◆ Before switching your inflator on decided which power source you will be using; 12V DC adapter, 230V AC plug or a 20V MAX* battery pack.
- ◆ To use the 12V DC adapter, or 20V MAX* battery pack press the AC/DC power switch (1) located on the front of the unit to DC.
- ◆ If using the 12V DC cord, ,always fully extend the 12V DC cord before each use.
 - ◆ Connect the 12V DC adapter 14 into your vehicles 12V DC accessory socket.

To use the 230V AC cord, press the AC/DC switch 1 located on the front of the unit to AC.

- ◆ If using the 230V AC cord 13 , always fully extend the cord before each use.
 - ◆ Connect the 230V AC plug 13 into either a wall outlet or an appropriate sized extension cord that is plugged into a wall outlet.

To turn on high-volume

The high-volume hose is meant to be used for objects that hold large amounts of air, such as air mattresses, rafts, and swimming pool floats.

Note: The high-volume mode DOES NOT have an auto shut-off feature.

- ◆ Attach the high-volume hose (7) to the high volume pump inflator connection (12) as described in the “High volume hose” section.
- ◆ Insert the high-volume hose (7) , or it’s tapered nozzle (8) into the object being inflated.
- ◆ Press the high-volume side of the mode power switch (2) , indicated by the air mattress symbol.
- ◆ To turn off, push the power switch to the center position.

To turn on high-pressure

The high-pressure hose is meant to be used for objects that need more air pressure, such as tires and basketballs.

- ◆ Remove the high-pressure hose (10) from the storage.
- ◆ Attach a nozzle as described in the “Universal valve adapter” section.
- ◆ Insert the nozzle into the object being inflated.
- ◆ Press the high-pressure side of the mode power switch (2), indicated by the tire symbol.
- ◆ To turn off, push the power switch to the center position.

Deflate using the high-volume hose (Fig. H)

Warning! Beware of objects being ejected. When deflating, large amounts of air will exit the high volume pump inflator connection (12) . Ensure the universal valve adapter is not pointed at anyone or anything.

- ◆ Remove the high-volume hose (7) from the storage location.
- ◆ Line up the hose end (23) with the high-volume pump deflate connection (11) . Then, firmly slide in the hose so it is securely in place.
- ◆ Insert the hose, or it’s tapered nozzle (8) into the object being deflated.
- ◆ Press the high-volume side of the mode power switch (2), as shown in figure G, indicated by the air mattress symbol.
- ◆ To turn off, push the power switch to the center position.
- ◆ To remove the hose, twist the hose clockwise and slide hose off.

Setting the automatic shut-off pressure

Note: The LCD will only show inflation pressures when the inflator is being used. In both inflation and pump mode the unit will show battery status.

- ◆ To switch between the different units (psi, bar or kPa), press the pressure mode button (5) until the required units are displayed.
- ◆ Press the - or + pressure setting buttons (4) until the required pressure is displayed.
- ◆ After 3 seconds the display will flash and return to a reading of “0.0”. This is normal.
- ◆ Connect the universal valve adaptor and accessories, if required, to the item to be inflated, making sure that the lever of the valve adaptor is in the down position to lock it in place.
- ◆ To start the inflator press the mode power switch (2) , towards the side of the tire symbol.
- ◆ When the item to be inflated has reached the preset value the unit will automatically turn off. NOTE: You may notice the actual pressure reading may drop after a couple of seconds. This is normal.
- ◆ To stop the inflator at any time, press the main power button back to the center position.

Note: If the AC/DC power switch is turned off, all settings will be lost and will need to be reentered. This is a safety feature to prevent the risk of items over inflating.

Using the inflator as a pressure gauge

- ◆ Connect the universal valve adaptor (9) to the item to be checked.
- ◆ Press the mode power switch (2) , on the side of the tyre symbol.
- ◆ The LCD will display the item’s pressure.
- ◆ After checking, press the mode power switch (2) back to the center position and return the air hose to the storage location.

Maintenance

Your BLACK+DECKER cordless appliance has been designed to operate over a long period of time with a minimum of maintenance. Continuous satisfactory operation depends upon proper tool care and regular cleaning.

Warning! Before performing any maintenance on cordless appliances:

- ◆ Run the battery down completely if it is integral and then switch off.
- ◆ Unplug the charger before cleaning it. Your charger does not require any maintenance apart from regular cleaning.
- ◆ Regularly clean the ventilation slots in your appliance/charger using a soft brush or dry cloth.
- ◆ Regularly clean the motor housing using a damp cloth. Do not use any abrasive or solvent-based cleaner.

Protecting the environment



Separate collection. Products and batteries marked with this symbol must not be disposed of with normal household waste.

Products and batteries contain materials that can be recovered or recycled reducing the demand for raw materials.

Please recycle electrical products and batteries according to local provisions.

Further information is available at www.2helpU.com

Technical Data

	BDCINF18
Voltage	18V
Weight	2.0Kg (Excluding Battery)
Class	II

Battery*		BL1318
Voltage	V_{dc}	18
Capacity	Ah	1.3
Type		Li-Ion

Battery*		BL1518
Voltage	V_{dc}	18
Capacity	Ah	1.5
Type		Li-Ion

Battery*		BL2018
Voltage	V_{dc}	18
Capacity	Ah	2.0
Type		Li-Ion

Battery*		BL4018
Voltage	V_{dc}	18
Capacity	Ah	4.0
Type		Li-Ion

Battery*		BL1554
Voltage	V_{dc}	18
Capacity	mAh	2500
Type		Li-Ion

Battery*		BL2554
Voltage	V_{dc}	18
Capacity	mAh	2500
Type		Li-Ion

Alternative Bluetooth Battery pack*		BL1518ST	BL2018ST
Voltage	V_{dc}	18	18
Capacity	Ah	1.5	2
Type		Li-Ion	Li-Ion

Charger*		SSC-250040X	
Input voltage	V_{AC}	230	
Output voltage	V_{DC}	8 - 20	
Current	mA	400	

* Not supplied with unit

Guarantee

Black & Decker is confident of the quality of its products and offers consumers a 24 month guarantee from the date of purchase. This guarantee is in addition to and in no way prejudices your statutory rights. The guarantee is valid within the territories of the Member States of the European Union and the European Free Trade Area.

To claim on the guarantee, the claim must be in accordance with Black & Decker Terms and Conditions and you will need to submit proof of purchase to the seller or an authorised repair agent. Terms and conditions of the Black & Decker 2 year guarantee and the location of your nearest authorised repair agent can be obtained on the Internet at www.2helpU.com, or by contacting your local Black & Decker office at the address indicated in this manual.

Please visit our website www.blackanddecker.co.uk to register your new Black & Decker product and receive updates on new products and special offers.

Bestimmungsgemäße Verwendung

Ihre BLACK+DECKER BDCINF18 Kompressorstation wurde entwickelt, um mittels Akku oder in vielen Fahrzeugen über eine standardmäßige 12 Volt-Steckdose genutzt zu werden. Sie eignet sich zum Aufpumpen von Auto- und Fahrradreifen, Bällen, Schlauchbooten, Luftmatratzen, Schwimmkörpern, usw. Dieses Gerät ist nur zur Nutzung in Privathaushalten konzipiert.



Lesen Sie diese Anleitung vollständig und aufmerksam durch, bevor Sie das Gerät verwenden.

Sicherheitshinweise



Warnung! Lesen Sie alle Sicherheitswarnhinweise und alle Anweisungen. Die Nichteinhaltung der folgenden Warnungen und Anweisungen kann einen elektrischen Schlag, Brand und/oder schwere Verletzungen verursachen.

- ◆ Der vorgesehene Verwendungszweck ist in dieser Anleitung beschrieben. Bei Verwendung von Zubehör oder Anbauteilen, die nicht in dieser Anleitung empfohlen werden, sowie bei der Verwendung des Geräts in Abweichung von den in dieser Anleitung beschriebenen Verfahren besteht Verletzungsgefahr.
- ◆ Bewahren Sie diese Anleitung auf.
- ◆ Dieses Gerät darf nur mit den im Handbuch aufgeführten Akkus als kabellose Stromversorgung verwendet werden.

- ◆ Bei einer Beschädigung des Netzkabels muss dieses durch den Hersteller, eine Vertragswerkstatt oder eine ähnlich qualifizierte Person ausgetauscht werden, um mögliche Gefahren zu vermeiden.

Verwendung des Geräts

- ◆ Benutzen Sie das Gerät nicht zum Aufsaugen von Flüssigkeiten oder entzündlichen Materialien.
- ◆ Tauchen Sie das Gerät nicht in Wasser.
- ◆ Ziehen Sie das Ladegerät nicht am Kabel aus der Netzsteckdose. Achten Sie darauf, dass das Kabel des Ladegeräts nicht in Kontakt mit starker Hitze, Öl oder scharfen Gegenständen kommt.

Sicherheit anderer Personen

- ◆ Dieses Gerät darf nicht von Personen (einschließlich Kindern) mit eingeschränkten körperlichen, sensorischen oder geistigen Fähigkeiten oder mangelnder Erfahrung und Wissen in Bezug auf dessen Gebrauch bedient werden, es sei denn, sie werden bei der Verwendung des Geräts von einer erfahrenen Person beaufsichtigt oder angeleitet.
- ◆ Kinder müssen beaufsichtigt werden, um sicherzustellen, dass sie nicht mit dem Gerät spielen.

Inspektion und Reparaturen

Prüfen Sie das Gerät vor der Verwendung auf beschädigte oder defekte Teile.

Prüfen Sie, ob Teile gebrochen sind, Schalter beschädigt sind oder andere Bedingungen vorliegen, die die Funktion beeinträchtigen könnten.

- ◆ Betreiben Sie das Gerät nicht, wenn Teile beschädigt oder defekt sind.
- ◆ Lassen Sie beschädigte oder defekte Teile in einer Vertragswerkstatt reparieren oder austauschen.
- ◆ Überprüfen Sie das Ladegerätkabel in regelmäßigen Abständen auf Beschädigungen. Tauschen Sie das Ladegerät aus, wenn das Kabel beschädigt oder defekt ist.
- ◆ Ersetzen oder entfernen Sie keine Teile, für die in dieser Anleitung keine entsprechende Beschreibung enthalten ist.

Zusätzliche Sicherheitshinweise

- ◆ Aufpumpen von Fahrradreifen, Bällen, Schlauchbooten, Schwimmkörpern, Luftmatratzen und mehr in und rund um Ihr Zuhause. Der empfohlene maximale Dauereinsatz bei 65 psi sollte 2 Minuten eingeschaltet und 5 Minuten ausgeschaltet sein.
- ◆ Die Druckluft aus dem Kompressor darf nicht eingeatmet werden. Inhalieren Sie niemals die Luft aus dem Kompressor oder einem am Kompressor befestigten Atmungsgerät.
- ◆ Zu starker Luftdruck ist gefährlich, da er Gegenstände zum Platzen bringt.

Prüfen Sie die vom Hersteller für die aufzublasenden Gegenstände zugelassenen Druckluftwerte.

- ◆ Lassen Sie den Kompressor während des Betriebs nicht unbeaufsichtigt. Reifen bzw. andere aufzublasende Gegenstände könnten platzen.
- ◆ Verwenden Sie ein Reifendruckmessgerät, um den Reifendruck vor jeder Anwendung und beim Aufpumpen der Reifen zu prüfen; den korrekten Reifendruck können Sie der Seitenwand des Reifens entnehmen.
- ◆ Der Kompressor darf nicht selbständig repariert oder in sonstiger Weise verändert werden. Nehmen Sie keine Bohrungen, Verschweißungen oder andere Änderungen am Kompressor oder an den Aufsätzen vor.
- ◆ Benutzen Sie das Gerät nur mit dem beiliegenden Zubehör bzw. Teilen zur Luftbehandlung, die für mindestens 160 psi zugelassen sind.
- ◆ Die Verwendung von Zubehörteilen, die nicht für den Gebrauch mit dem Gerät empfohlen werden, kann gefährlich sein.
- ◆ Machen Sie keine Experimente. Hohe Druckluft ist gefährlich. Richten Sie den Luftstrom niemals auf sich selbst oder andere Personen.

Warnung! Lassen Sie den Hebel des Ventiladapters bei Nichtgebrauch stets geöffnet.

- ◆ Der Kompressor kann im Betrieb heiß werden.

Lassen Sie den Kompressor nach Gebrauch 30 Minuten abkühlen, bevor Sie ihn verstauen.

Nach dem Gebrauch

- ◆ Trennen Sie das Ladegerät von der Stromversorgung, bevor Sie es reinigen.
- ◆ Bewahren Sie das Gerät bei Nichtgebrauch an einem trockenen Ort auf.
- ◆ Kinder sollten keinen Zugang zu aufbewahrten Geräten haben.

Restrisiken

Beim Gebrauch dieses Geräts verbleiben zusätzliche Restrisiken, die möglicherweise nicht in den Sicherheitswarnungen genannt werden. Diese Risiken bestehen beispielsweise bei Missbrauch oder längerem Gebrauch.

Auch bei der Einhaltung der entsprechenden Sicherheitsvorschriften und der Verwendung aller Sicherheitsgeräte bestehen weiterhin bestimmte Restrisiken. Diese sind:

- ◆ Verletzungen, die durch das Berühren von sich drehenden/bewegenden Teilen verursacht werden.
- ◆ Verletzungen, die durch das Austauschen von Teilen, Messern oder Zubehör verursacht werden.
- ◆ Der längere Gebrauch eines Geräts kann Verletzungen zur Folge haben. Legen Sie bei längerem Gebrauch regelmäßige Pausen ein.
- ◆ Schwerhörigkeit.

- ◆ Gesundheitsrisiken durch das Einatmen von Staub beim Gebrauch des Geräts (z. B. bei Holzarbeiten, insbesondere Eiche, Buche und Pressspan).

Akkus

- ◆ Keinesfalls versuchen, den Akku zu öffnen.
- ◆ Achten Sie darauf, dass der Akku nicht mit Wasser in Berührung kommt.
- ◆ Nicht bei Temperaturen über 40 °C lagern.
- ◆ Laden Sie den Akku ausschließlich bei Umgebungstemperaturen zwischen 10 °C und 40 °C.
- ◆ Verwenden Sie ausschließlich das mitgelieferte Ladegerät.
- ◆ Wenn das Gerät längere Zeit nicht benutzt wird, sollten die Akkus entfernt werden.
- ◆ Beachten Sie bei der Entsorgung von Batterien und Akkus die Hinweise im Abschnitt "Umweltschutz".



Versuchen Sie nie, beschädigte Akkus aufzuladen.

Ladegeräte

- ◆ Verwenden Sie das BLACK+DECKER Ladegerät nur für den Akku des Werkzeugs, mit dem es geliefert wurde. Andere Akkus können platzen und Sachschäden oder Verletzungen verursachen.
- ◆ Versuchen Sie keinesfalls, nicht aufladbare Batterien zu laden.
- ◆ Lassen Sie beschädigte Kabel sofort austauschen.


- ◆ Achten Sie darauf, dass das Ladegerät nicht mit Wasser in Berührung kommt.
- ◆ Versuchen Sie nicht, das Ladegerät zu öffnen.
- ◆ Nehmen Sie am Ladegerät keine Veränderungen vor.


1. AC/DC-Netzschalter
2. Betriebsartschalter
3. LCD
4. Druckeinstelltasten
5. Druckmodus-/Reset-Taste
6. Griff
7. Großvolumiger Schlauch
8. Kegelförmiger Stutzen
9. Universalventiladapter
10. Hochdruckschlauch
11. Ablassanschluss der großvolumigen Pumpe
12. Befüllanschluss der großvolumigen Pumpe
13. 230V AC-Kabel
14. 12 V DC Kfz-Stecker
15. 18V MAX* Akkusteckplatz
16. Kompressor-Nadelventil
17. Adapter für Messingkupplung
18. Kegelförmiger Stutzen

Elektrische Sicherheit

Symbole auf dem Ladegerät

 Lesen Sie diese Anleitung vollständig und aufmerksam durch, bevor Sie das Gerät verwenden.

 Dieses Werkzeug ist doppelt isoliert; daher ist kein Erdungsleiter erforderlich. Überprüfen Sie immer, dass die Stromversorgung der Spannung auf dem Typenschild entspricht.

 Das Ladegerät darf nur im Innenbereich verwendet werden.

Warnsymbole am Gerät

Am Gerät befinden sich folgende Warnsymbole inkl. Datum- und -code.



Warnung! Lesen Sie vor Gebrauch die Anleitung. Andernfalls besteht Verletzungsgefahr.



Schützen Sie das Gerät vor Feuchtigkeit und Regen.



Ziehen Sie das Netzkabel aus der Steckdose, bevor Sie mit Wartungs- oder Reinigungsarbeiten am Gerät beginnen.



Lassen Sie den Kompressor niemals unbeaufsichtigt.



Gerät der Klasse II

Merkmale

Dieses Gerät verfügt über einige oder alle der folgenden Merkmale:

Montage

Aufbewahrung des 12 V DC-Kabels

- ◆ Wickeln Sie das 12 V DC-Kabel um die Kabelaufbewahrung im Unterteil des Kompressors und rasten Sie den 12 V DC-Stecker (14) in dessen Lagerposition der Kabelaufbewahrung ein.

Aufbewahrung des Luftschlauchs

- ◆ Der Hochdruckschlauch (10) befindet sich in einem Kanal zur Aufbewahrung auf der Stirnseite des Geräts. Wickeln Sie den Hochdruckschlauch in dem Kanal auf.

Aufbewahrung des großvolumigen Schlauchs

- ◆ Der großvolumige Schlauch (7) befindet sich in einem Kanal zur Aufbewahrung an der Rückseite des Geräts. Wickeln Sie den großvolumigen Schlauch in dem Kanal auf.

Aufbewahrung von Zubehör

- ◆ Die Zubehörteile (16) (17) (18) werden an der Rückseite des Geräts im Zubehörfach aufbewahrt.

Montage des Zubehörs

Universalventiladapter (Abb.A)

- ◆ Ihr Kompressor ist mit dem kegelförmigen Standardstutzen (18), einer Messingkupplung (17) und dem Kompressor-Nadelventil (16) ausgestattet, das sich an der Rückseite des Geräts befindet.
- ◆ Stellen Sie bei Verwendung des Universalventiladapters (9) sicher, dass sich der Hebel in der senkrechten Stellung befindet.
- ◆ Stülpen Sie den Ventiladapter über den Schaft des Kompressor-Nadelventils, die Messingkupplung oder den kegelförmigen Stutzen.
- ◆ Drücken Sie den Hebel (19) am Universalventiladapter herunter, bis er einrastet.

- ◆ Stecken Sie das Kompressor-Nadelventil, die Messingkupplung oder den kegelförmigen Stutzen in das aufzublasende Objekt.

Hinweis: Stellen Sie sicher, dass sich der Hebel stets in der aufrechten Stellung befindet, wenn das Gerät nicht verwendet wird. Betreiben Sie den Kompressor nur mit dem Universalventiladapter oder den mitgelieferten Stutzen.

Hinweis: Stellen Sie sicher, dass der Universalventiladapter vor dem Einschalten des Kompressors fest eingerastet ist.

Großvolumiger Schlauch (Abb.B)

- ◆ Entfernen Sie den großvolumigen Schlauch (7) aus dem Aufbewahrungsfach.
- ◆ Richten Sie die Einkerbungen (20) des Schlauchs an den Noppen (21) des Befüllanschlusses der großvolumigen Pumpe (12) aus. Schieben Sie dann den Schlauch drauf, und drehen Sie ihn zum Fixieren gegen den Uhrzeigersinn.
- ◆ Um ihn zu entfernen, drehen Sie den Schlauch im Uhrzeigersinn und ziehen Sie ihn ab.

Hinweis: Viele aufblasbaren Gegenstände, insbesondere Luftmatratzen, verfügen über eine eingebaute Ventilklappe, die das Austreten von Luft während des Aufpumpens verhindert. Wenn diese Klappe nicht durch einen Stutzen weggedrückt wird, kann dieser Gegenstand nicht aufgeblasen werden. Drücken Sie den Stutzen fest in das Ventil, damit die Ventilklappe weggedrückt wird.

Warnung! Gefahr durch Platzen. Zu hoher Luftdruck kann zum Platzen von Objekten und zu Verletzungen führen. Prüfen Sie die vom Hersteller für die aufzublasenden Gegenstände zugelassenen Druckluftwerte.

Hinweis: Beachten Sie bei Gegenständen mit einem Luftdruckwert über 100 psi, dass die maximale Betriebsdauer des Kompressors bei 10 Minuten liegt. Warten Sie vor der erneuten Verwendung 20 Minuten.

Betrieb

Warnung! Um die Gefahr schwerer Verletzungen zu mindern, schalten Sie das Gerät aus, trennen es vom Netz und entfernen den Akku, bevor Sie Einstellungen vornehmen oder Anbaugeräte oder Zubehör anbringen oder entfernen. Ungewolltes Starten kann zu Verletzungen führen.

Warnung! Betreiben Sie den Kompressor nicht bei laufendem Automotor.

Hinweis: Vergewissern Sie sich, dass an dem 12-Volt-Anschluss Spannung anliegt.

Bei einigen Fahrzeugen kann der Anschluss nur verwendet werden, wenn sich das Zündschloss in der Stellung befindet, in der elektrische Verbraucher mit Strom versorgt werden.

Anbringen und Entfernen des Akkus (Abb. C, D)

Hinweis: Um beste Ergebnisse zu erzielen, sollte der Akku vollständig aufgeladen werden.

- ◆ Um den Akku in den Akkuanschluss (15) einzusetzen, richten Sie den Akku an den Schienen im Akkuanschluss aus und schieben Sie ihn in den Griff, bis der Akku ist fest im Werkzeug sitzt, und sorgen Sie dafür, dass er sich nicht lösen kann.
- ◆ Um den Akku aus dem Werkzeug zu entnehmen, drücken Sie den Akku-Löseknopf (22) und ziehen Sie den Akku kräftig aus dem Werkzeuggriff. Legen Sie ihn wie im Abschnitt Ladegerät dieser Betriebsanleitung beschrieben in das Ladegerät.

Einschalten (Abb. E, F)

Warnung! Gefahr durch Platzen. Lassen Sie das Gerät während des Betriebs nicht unbeaufsichtigt. Übermäßiges Aufblasen von Reifen und anderen Gegenständen kann zu schweren Verletzungen und Sachschäden führen.

Hinweis: Wenn die Stromversorgung des Kompressors durch einen 12V- bzw. 20V-Akku oder 230V Wechselstrom erfolgt, bleibt die LCD-Anzeige für etwa 10 Minuten eingeschaltet, bevor sich das Display ausschaltet oder in den Ruhemodus wechselt.

Dies geschieht, wenn das Gerät nicht in Betrieb ist.

Um das System aufzuwecken, muss der Benutzer die Druckmodus-/Reset-Taste (5) drücken. Dann schaltet sich das LCD ein und der Kompressor ist einsatzbereit.

- ◆ Vor dem Einschalten Ihres Kompressors müssen Sie entscheiden, welche Stromquelle Sie verwenden wollen: 12V-Gleichstromadapter, 230V-Wechselstromkabel oder 20V-MAX*-Akku.
- ◆ Zur Verwendung des 12V-Gleichstromadapters oder des 20V-MAX*-Akkus stellen Sie den AC/DC-Netzschalter (1) an der Vorderseite des Geräts auf DC.
- ◆ Wenn Sie das 230V-Wechselstromkabel verwenden, müssen Sie das 12V-Wechselstromkabel vor jedem Gebrauch immer vollständig herausziehen.
- ◆ Verbinden Sie den 12V-Gleichstromadapter (14) mit dem 12V-Gleichstromanschluss Ihres Fahrzeugs.

Zur Verwendung des 230V-Wechselstromkabels stellen Sie den AC/DC-Netzschalter (1) an der Vorderseite des Geräts auf AC.

- ◆ Wenn Sie das 230V-Wechselstromkabel (13) verwenden, müssen Sie das Kabel vor jedem Gebrauch immer vollständig herausziehen.
 - ◆ Stecken Sie das 230V-Wechselstromkabel (13) entweder in eine Wandsteckdose oder in ein geeignetes Verlängerungskabel, das in eine Wandsteckdose eingesteckt wird.

Hohes Volumen einschalten

Der großvolumige Schlauch wird für Objekte verwendet, die große Luftmengen enthalten, beispielsweise Luftmatratzen, Schlauchboote und Schwimmkörper.

Hinweis: Der Modus des hohen Volumens besitzt KEINE automatische Abschaltfunktion.

- ◆ Montieren Sie den großvolumigen Schlauch (7) am Befüllanschluss der großvolumigen Pumpe (12) gemäß Beschreibung im Abschnitt „Großvolumiger Schlauch“.
- ◆ Setzen Sie den großvolumigen Schlauch (7) oder den kegelförmigen Stutzen (8) in das aufzublasende Objekt ein.
- ◆ Drücken Sie auf die Seite des Betriebsartschalters (2) für hohes Volumen, die durch das Luftmatratzen-Symbol gekennzeichnet ist.
- ◆ Drücken Sie den Netzschalter zum Ausschalten in die mittlere Stellung.

Hochdruck einschalten

Der Hochdruckschlauch wird für Objekte verwendet, die mehr Luftdruck benötigen, z. B. Reifen und Basketballbälle.

- ◆ Nehmen Sie den Hochdruckschlauch (10) aus dem Aufbewahrungsfach heraus.
- ◆ Montieren Sie einen Stutzen wie im Abschnitt „Universalventiladapter“ beschrieben.
- ◆ Setzen Sie den Stutzen in das aufzublasende Objekt ein.
- ◆ Drücken Sie auf die Hochdruck-Seite des Betriebsartschalters (2), die durch das Reifensymbol gekennzeichnet ist.
- ◆ Drücken Sie den Netzschalter zum Ausschalten in die mittlere Stellung.

Luft mittels großvolumigem Schlauch ablassen (Abb. H)

Warnung! Vorsicht vor austretenden Objekten. Beim Ablassen der Luft treten große Luftmengen aus dem Befüllanschluss der großvolumigen Pumpe (12) aus. Stellen Sie sicher, dass der Universalventiladapter nicht auf Personen und Gegenstände gerichtet ist.

- ◆ Entfernen Sie den großvolumigen Schlauch (7) aus dem Aufbewahrungsfach.
- ◆ Richten Sie das Schlauchende (23) am Ablassanschluss der großvolumigen Pumpe (11) aus. Schieben Sie den Schlauch dann hinein, so dass er fest sitzt.
- ◆ Setzen Sie den Schlauch oder dessen kegelförmigen Stutzen (8) in das Objekt ein, aus dem die Luft abgelassen werden soll.
- ◆ Drücken Sie wie in Abbildung G gezeigt auf die Seite des Betriebsartschalters (2) für hohes Volumen, die durch das Luftmatratzen-Symbol gekennzeichnet ist.
- ◆ Drücken Sie den Netzschalter zum Ausschalten in die mittlere Stellung.
- ◆ Um den Schlauch abzunehmen, drehen Sie ihn im Uhrzeigersinn und ziehen Sie ihn ab.

Automatischen Abschaltdruck einstellen

Hinweis: Das LCD zeigt nur Luftdrücke an, wenn der Kompressor in Benutzung ist. Sowohl im Befüllen- als auch im Pumpenmodus wird das Gerät den Batterieladestatus anzeigen.

- ◆ Drücken Sie die Druckmodus-Taste (5), bis die gewünschte Druckeinheit (psi, bar oder kPa) angezeigt wird.
- ◆ Drücken Sie die - oder + Druckeinstelllasten (4), bis der erforderliche Druck angezeigt wird.
- ◆ Nach 3 Sekunden blinkt die Anzeige und zeigt erneut den Wert „0.0“ an. Dies entspricht dem normalen Ablauf des Ladevorgangs.
- ◆ Bringen Sie ggf. den Universalventiladapter und das gewünschte Zubehör an dem aufzublasenden Gegenstand an, und stellen Sie sicher, dass sich der Hebel in der unteren Stellung befindet, um diesen zu sichern.
- ◆ Um den Kompressor zu starten, drücken Sie den Betriebsartschalter (2) zur Seite des Reifensymbols.
- ◆ Das Gerät wird automatisch ausgeschaltet, wenn der aufzublasende Gegenstand den voreingestellten Druck erreicht hat. HINWEIS: Sie werden feststellen, dass der tatsächliche Druckablesewert nach einigen Sekunden abfällt. Dies entspricht dem normalen Ablauf des Ladevorgangs.
- ◆ Sie können den Kompressor jederzeit anhalten, indem Sie den Hauptschalter zurück in die mittlere Stellung drücken.

Hinweis: Wenn der AC/DC-Netzschalter ausgeschaltet wird, gehen alle Einstellungen verloren und müssen neu eingegeben werden. Dies ist ein Sicherheitsmerkmal, damit Objekte nicht übermäßig aufgeblasen werden.

Verwendung des Kompressors als Druckanzeige

- ◆ Schließen Sie den Universalventiladapter (9) an das zu prüfende Objekt an.
- ◆ Drücken Sie den Betriebsartschalter (2) auf der Seite des Reifensymbols.
- ◆ Das LCD wird den Druck des Objekts anzeigen.
- ◆ Drücken Sie den Betriebsartschalter (2) nach dem Prüfen zurück in die mittlere Stellung, und verstauen Sie den Luftschlauch in dessen Aufbewahrung zurück.

Wartung

Ihr BLACK+DECKER-Gerät ohne Netzkabel wurde im Hinblick auf eine lange Lebensdauer und einen möglichst geringen Wartungsaufwand entwickelt. Ein kontinuierlicher, zufriedenstellender Betrieb hängt von der richtigen Pflege des Gerätes und seiner regelmäßigen Reinigung ab.

Warnung! Vor dem Ausführen jeglicher Wartungsarbeiten an Geräten ohne Netzkabel:

- ◆ Entladen Sie den Akku vor dem Abschalten vollständig, wenn es sich um einen internen Akku handelt.

- ◆ Ziehen Sie das Ladegerät aus der Netzsteckdose, bevor Sie es reinigen. Das Ladegerät benötigt keine Wartung, es sollte jedoch regelmäßig gereinigt werden.
- ◆ Reinigen Sie regelmäßig die Lüftungsschlitze des Geräts und des Ladegeräts mit einer weichen Bürste oder einem trockenen Tuch.
- ◆ Reinigen Sie das Motorgehäuse regelmäßig mit einem feuchten Tuch. Verwenden Sie keine scheuernden Reinigungsmittel oder Reinigungsmittel auf Lösungsmittelbasis.

Umweltschutz



Getrennte Entsorgung. Produkte und Akkus mit diesem Symbol dürfen nicht mit dem normalen Hausmüll entsorgt werden.

Produkte und Akkus enthalten Materialien, die wiederverwertet werden können, um den Bedarf an Rohstoffen zu verringern. Bitte recyceln Sie elektrische Produkte und Akkus gemäß den örtlichen Bestimmungen. Weitere Informationen finden Sie auf www.2helpU.com

Technische Daten

	BDCINF18
Spannung	18V
Gewicht	2,0kg (ohne Akkus)
Klasse	II

Akku*		BL1318
Spannung	V_{DC}	18
Kapazität	Ah	1,3
Typ		Li-Ionen

Akku*		BL1518
Spannung	V_{DC}	18
Kapazität	Ah	1,5
Typ		Li-Ionen

Akku*		BL2018
Spannung	V_{DC}	18
Kapazität	Ah	2,0
Typ		Li-Ionen

Akku*		BL4018
Spannung	V_{DC}	18
Kapazität	Ah	4,0
Typ		Li-Ionen

Akku*		BL1554
Spannung	V_{DC}	18
Kapazität	mAh	2500
Typ		Li-Ionen

Akku*		BL2554
Spannung	V_{DC}	18
Kapazität	mAh	2500
Typ		Li-Ionen

Alternativer Bluetooth-Akku*		BL1518ST	BL2018ST
Spannung	V_{DC}	18	18
Kapazität	Ah	1,5	2
Typ		Li-Ionen	Li-Ionen

Ladegerät*		SSC-250040X
Eingangsspannung	V_{AC}	230
Ausgangsspannung	V_{DC}	8 - 20
Stromstärke	mA	400

*Nicht im Lieferumfang des Geräts enthalten

Garantie

Black & Decker vertraut auf die Qualität der eigenen Geräte und bietet dem Käufer eine außergewöhnliche Garantie von 24 Monaten ab Kaufdatum. Diese Garantie versteht sich unbeschadet der gesetzlichen Gewährleistungsansprüche und schränkt diese keinesfalls ein. Diese Garantie gilt innerhalb der Staatsgebiete der Mitgliedstaaten der Europäischen Union und der Europäischen Freihandelszone.

Zur Inanspruchnahme dieser Garantie muss sie den allgemeinen Geschäftsbedingungen von Black & Decker entsprechen und dem Verkäufer bzw. der Vertragswerkstatt ist ein Kaufnachweis vorzulegen. Die Bedingungen für die 2-jährige Garantie von Black & Decker und den Standort Ihrer nächstgelegenen Vertragswerkstatt finden Sie im Internet unter www.2helpU.com oder indem Sie sich an die lokale Black & Decker-Niederlassung wenden, deren Adresse Sie in dieser Anleitung finden.

Ihr neues Black & Decker Produkt können Sie auf unserer Website unter www.blackanddecker.de registrieren. Dort erhalten Sie auch Informationen über neue Produkte und Sonderangebote.

Utilisation prévue

Votre station de gonflage BLACK+DECKER BDCINF18 a été conçue pour être utilisée sans fil ou sur la plupart des prises allume-cigare 12 volts des véhicules, afin de gonfler les pneus de voitures et de bicyclettes, les ballons, les bateaux ou les matelas pneumatiques, les flotteurs de piscine, etc. Cet appareil n'est prévu que pour un usage grand public uniquement.



Avant d'utiliser l'appareil, lisez attentivement ce manuel dans son intégralité.

Consignes de sécurité



Avertissement ! Lisez tous les avertissements et toutes les consignes de sécurité.

Le non-respect des avertissements et des instructions listés ci-dessous peut entraîner des chocs électriques, des incendies et/ou de graves blessures.

- ◆ Ce manuel décrit la manière d'utiliser l'appareil. L'utilisation d'un accessoire ou d'un équipement ou l'utilisation de cet appareil à d'autres fins que celles recommandées dans ce manuel d'utilisation peut présenter un risque de blessures.
- ◆ Conservez ce manuel pour pouvoir vous y référer dans le futur.
- ◆ Cet appareil ne doit être utilisé qu'avec les blocs-batteries listés dans le manuel en tant qu'alimentation sans fil.
- ◆ Si le cordon d'alimentation est endommagé, il doit être remplacé par le fabricant ou l'un de ses prestataires de service ou par une personne de même qualification, afin d'éviter tout risque.

Utilisation de votre appareil

- ◆ N'utilisez pas cet appareil pour aspirer des liquides ou une quelconque matière inflammable.
- ◆ Ne plongez pas l'appareil dans l'eau.
- ◆ Ne tirez jamais sur le fil du chargeur pour le débrancher. Maintenez le fil du chargeur éloigné de toute source de chaleur, zone grasse et bords tranchants.

Sécurité des personnes

- ◆ Cet outil ne peut pas être utilisé par des personnes (y compris des enfants) ayant des capacités physiques, sensorielles ou mentales réduites, ou celles manquant d'expérience et de connaissances, à moins qu'elles ne soient encadrées ou qu'elles n'aient été formées à l'utilisation de l'outil par une personne responsable de leur sécurité.
- ◆ Les enfants doivent être surveillés pour garantir qu'ils ne jouent pas avec l'appareil.

Vérification et réparations

Avant d'utiliser l'appareil, vérifiez qu'aucune de ses pièces n'est endommagée ou défectueuse.

Contrôlez l'absence de pièces cassées, d'interrupteurs endommagés et de toutes autres anomalies susceptibles de nuire au bon fonctionnement de l'appareil.

- ◆ N'utilisez pas l'appareil si l'une de ses pièces est endommagée ou défectueuse.

- ◆ Faites réparer ou remplacer les pièces défectueuses ou endommagées par un réparateur agréé.
- ◆ Vérifiez régulièrement l'état du fil du chargeur. Si le fil est endommagé ou défectueux, remplacez le chargeur.
- ◆ Ne tentez jamais de retirer ou de remplacer des pièces autres que celles indiquées dans ce manuel.

Consignes de sécurité supplémentaires

- ◆ Gonflez les pneus de bicyclettes, les ballons, les bateaux, matelas et flotteurs pneumatiques et bien plus, chez vous ou à l'extérieur. L'utilisation maximale recommandée en continu à 65 psi est de 2 minutes avec 5 minutes d'arrêt.
- ◆ L'air comprimé de votre gonfleur n'est pas bon pour la santé. N'aspirez jamais l'air provenant de votre gonfleur ou d'un appareil raccordé au gonfleur.
- ◆ Une trop forte pression d'air peut entraîner un risque d'éclatement. Contrôlez la pression maximum recommandée par le fabricant des objets à gonfler.
- ◆ Ne laissez pas l'appareil fonctionner sans surveillance. Les pneus et équipements pneumatiques pourraient éclater.
- ◆ Utilisez un manomètre pour contrôler la pression des pneus avant et pendant chaque utilisation ; regardez sur le flanc du pneu pour connaître la pression adaptée.

- ◆ N'apportez aucune modification et ne réparez pas le gonfleur. Ne le percez pas et n'apportez aucune modification au gonfleur ou à ses accessoires.
- ◆ Ne le faites fonctionner qu'avec les accessoires fournis ou des équipements pneumatiques calibrés pour 160 psi au moins.
- ◆ L'utilisation d'accessoires non recommandés pour cet appareil peut être dangereuse.
- ◆ Ne chahutez pas avec l'appareil. L'air à haute pression est dangereux. N'orientez pas la source d'air vers vous ou vers les autres.

Avertissement ! Laissez toujours le levier de l'adaptateur de valve ouvert quand il n'est pas utilisé.

- ◆ Le gonfleur peut devenir chaud pendant l'utilisation. Laissez le gonfleur refroidir pendant 30 minutes avant de le ranger.

Après utilisation

- ◆ Débranchez le chargeur avant de le nettoyer.
- ◆ Quand il n'est pas utilisé, l'appareil doit être rangé dans un endroit sec.
- ◆ Rangez vos appareils hors de portée des enfants.

Risques résiduels

Certains risques résiduels autres que ceux mentionnés dans les avertissements sur la sécurité peuvent survenir en utilisant l'outil.

Ces risques peuvent être provoqués par une utilisation incorrecte, prolongée, etc. Malgré l'application des normes de sécurité pertinentes et la mise en œuvre de dispositifs de sécurité, certains risques résiduels ne peuvent pas être évités. Ils comprennent :

- ◆ Les blessures dues au contact avec des pièces mobiles/en rotation.
- ◆ Les blessures dues au changement de pièces, de lame ou d'accessoires.
- ◆ Les blessures dues à l'utilisation prolongée d'un outil. Lorsque vous utilisez un outil quel qu'il soit pendant de longues périodes, assurez-vous de faire des pauses régulières.
- ◆ Troubles de l'ouïe.
- ◆ Risques pour la santé dus à l'inhalation de poussières produites pendant l'utilisation de l'outil (exemple : travail avec du bois, surtout le chêne, le hêtre et les panneaux en MDF).

Batteries

- ◆ Ne tentez de les ouvrir sous aucun prétexte.
- ◆ N'exposez pas la batterie à l'eau.
- ◆ Ne la rangez pas dans des endroits où la température peut dépasser 40 °C.
- ◆ Ne procédez à la charge qu'à une température ambiante comprise entre 10 °C et 40 °C.
- ◆ N'utilisez que le chargeur fourni avec l'outil.
- ◆ Si l'appareil doit être rangé pendant une longue période, les batteries doivent être retirées.

- ◆ Pour mettre les batteries au rebut, suivez les instructions données dans la section "Protection de l'environnement".



N'essayez pas de recharger des batteries endommagées.

Chargeurs

- ◆ N'utilisez votre chargeur BLACK+DECKER que pour recharger la batterie fournie avec l'outil. D'autres batteries pourraient exploser et provoquer des blessures et des dommages.
- ◆ Ne tentez jamais de recharger des piles non rechargeables.
- ◆ Faites immédiatement remplacer les cordons endommagés.
- ◆ N'exposez pas le chargeur à l'eau.
- ◆ N'ouvrez pas le chargeur.
- ◆ Ne sondez pas le chargeur.

Sécurité électrique

Symboles sur le chargeur



Lisez attentivement l'intégralité de ce manuel avant d'utiliser l'appareil.








Cet outil est doublement isolé et il ne nécessite donc aucune liaison à la terre. Assurez-vous toujours que l'alimentation électrique correspond à la tension mentionnée sur la plaque signalétique.



Le chargeur est conçu pour être exclusivement utilisé à l'intérieur.

Étiquettes apposées sur l'appareil

Les symboles qui suivent figurent sur l'appareil avec le code date.

	Avertissement ! Afin de réduire le risque de blessures, l'utilisateur doit lire le manuel d'utilisation.
	N'exposez pas l'appareil à la pluie ou à l'humidité.
	Avant de procéder à des réparations ou au nettoyage de l'appareil, débranchez-le.
	Ne laissez pas le gonfleur sans surveillance.
	Appareil de Classe II

Caractéristiques

Cet outil dispose de tout ou partie des éléments suivants.

1. Interrupteur d'alimentation CA/CC
2. Commutateur de mode
3. Écran LCD
4. Boutons de réglage de pression
5. Bouton Mode pression / Réinitialisation
6. Poignée
7. Flexible pour grand volume
8. Buse conique
9. Adaptateur de valve universel
10. Flexible haute pression
11. Raccord de pompe de dégonflage pour grand volume
12. Raccord de pompe de gonflage pour grand volume
13. Cordon électrique 230V
14. Prise pour véhicule 12V CC
15. Logement batterie 18V MAX*
16. Valve à aiguille du gonfleur
17. Adaptateur raccord laiton
18. Buse conique

Assemblage

Rangement du cordon électrique 12V

- ◆ Enroulez le cordon électrique 12V CC autour de la retenue de -câble située à la base du gonfleur et clipsez la prise 12V CC (14) dans son emplacement de rangement sur la retenue de câble.

Rangement du flexible pneumatique

- ◆ Le flexible haute pression (10) se trouve dans une goulotte de rangement à l'avant de l'appareil. Enroulez le flexible à haute pression dans la goulotte.

Rangement du flexible pour grand volume

- ◆ Le flexible pour grand volume (7) se trouve dans une goulotte de rangement à l'arrière de l'appareil. Enroulez le flexible pour grand volume dans la goulotte.

Rangement des accessoires

- ◆ Les accessoires (16) (17) (18) sont rangés à l'arrière de l'appareil, à l'intérieur du compartiment de rangement.

Installation des accessoires

Adaptateur de valve universel (Fig. A)

- ◆ Votre gonfleur est livré avec une buse conique standard (18), un raccord en laiton (17) et une valve à aiguille (16), situés à l'arrière de l'appareil.
- ◆ Pour utiliser l'adaptateur de valve universel (9), assurez-vous que le levier est relevé.
- ◆ Placez l'adaptateur de valve sur la tige de la valve à aiguille du gonfleur, le raccord en laiton ou la buse conique.
- ◆ Abaissez le levier (19) sur l'adaptateur de valve universel pour le verrouiller en place.
- ◆ Placez la valve à aiguille du gonfleur, le raccord en laiton ou la buse conique dans le pneumatique à gonfler.

Remarque : Assurez-vous que le levier est relevé quand l'appareil n'est pas utilisé. Ne faites fonctionner votre gonfleur qu'avec l'adaptateur de valve universel ou les buses fournis.

Remarque : Assurez-vous que l'adaptateur de valve universel est fermement fixé en place avant de mettre le gonfleur en marche.

Flexible pour grand volume (Fig. B)

- ◆ Sortez le flexible pour grand volume (7) de son compartiment de rangement.
- ◆ Alignez les encoches (20) du flexible avec les tenons-suppôts (21) du raccord de la pompe de gonflage pour grand volume (12). Glissez ensuite le flexible et tournez-le dans le sens inverse des aiguilles d'une montre pour le fixer.
- ◆ Pour le retirer, tournez le flexible dans le sens des aiguilles d'une montre et glissez-le hors du raccord.

Remarque : La plupart des équipements gonflables, et particulièrement les matelas, sont équipés d'un clapet interne qui empêche l'air de s'échapper pendant le processus de gonflage. Si ce clapet est déplacé par l'embout, le pneumatique ne peut pas être gonflé. Poussez l'embout fermement dans la valve pour que le clapet s'ouvre.

Avertissement ! Risque d'éclatement. Une trop forte pression d'air peut engendrer un risque d'éclatement. Contrôlez la pression nominale maximale indiquée par le fabricant de l'équipement à gonfler.

Remarque : Si la pression nominale de l'équipement à gonfler est supérieure à 100 psi, notez que le gonfleur ne peut être utilisé que 10 minutes et qu'il faut attendre 20 minutes avant de le réutiliser.

Fonctionnement

Avertissement ! Afin de réduire tout risque de dommages corporels graves, éteignez et débranchez l'appareil de la source d'alimentation et retirez le bloc-batterie avant de procéder à des réglages ou de démonter/installer des accessoires. Une mise en marche intempestive peut provoquer des blessures.

Avertissement ! Ne faites pas fonctionner le gonfleur quand le moteur du véhicule tourne.

Remarque : Vérifiez que la prise allume-cigare 12 volts est alimentée.

Sur certains véhicules, la clé de contact doit être en position d'allumage pour que la prise soit sous tension.

Installation et retrait du bloc-batterie (Fig. C, D)

Remarque : Pour un résultat optimal, assurez-vous que le bloc-batterie est complètement rechargé.

- ◆ Pour installer le bloc-batterie dans son logement (15), alignez-le avec les rails à l'intérieur du logement et glissez-le dans la poignée jusqu'à ce qu'il soit fermement en place dans l'outil et assurez-vous qu'il ne puisse pas se dégager.
- ◆ Pour retirer le bloc-batterie de l'outil, appuyez sur le bouton de libération (22) et tirez fermement le bloc-batterie hors de la poignée de l'outil. Insérez-le dans le chargeur comme décrit dans la section du chargeur de ce manuel.

Mise en marche (Fig. E, F)

Avertissement ! Risque d'éclatement. Ne laissez pas l'appareil fonctionner sans surveillance. Le sur-gonflage de pneus ou d'autres éléments peut conduire à de graves blessures et dommages matériels.

Remarque : Lorsque le gonfleur est alimenté par une batterie 12v, 20v ou en CC 230V, l'écran LCD reste allumé pendant environ 10 minutes avant de s'éteindre/passé en mode Veille.

Cela se produit lorsque l'appareil n'est pas en marche.

Pour "réveiller le système", l'utilisateur doit enfoncer le bouton Mode pression / Réinitialisation (5). À ce moment, l'écran LCD s'allume et le gonfleur est prêt à fonctionner.

- ◆ Avant de mettre votre gonfleur en marche, choisissez la source d'alimentation que vous allez utiliser : adaptateur électrique CC 12V, prise électrique CA 230V ou bloc-batterie 20V MAX*.
- ◆ Pour utiliser l'adaptateur électrique CC 12V ou le bloc-batterie 20V MAX*, placez l'interrupteur électrique CA/CC (1) situé à l'avant de l'appareil sur CC.
- ◆ Si vous utilisez le cordon électrique CC 12V, étirez toujours complètement le cordon avant chaque utilisation. Raccordez l'adaptateur électrique CC 12V (14) dans la prise allume-cigare 12V de votre véhicule.

Pour utiliser le cordon électrique CA 230V, placez l'interrupteur électrique CA/CC (1) situé à l'avant de l'appareil sur CA.

- ◆ Si vous utilisez le cordon électrique CA 230V (13), étirez toujours complètement le cordon avant chaque utilisation.
- ◆ Raccordez la prise électrique 230V (13) dans une prise de courant murale ou une rallonge homologuée elle-même branchée dans une prise murale.

Pour mettre en marche la fonction Grand volume

Le flexible pour grand volume sert pour les objets qui contiennent une grande quantité d'air, comme les matelas, les bateaux et les flotteurs de piscine.

Remarque : Le mode Grand volume NE DISPOSE PAS d'une fonction d'extinction automatique.

- ◆ Raccordez le flexible pour grand volume (7) au raccord de la pompe de gonflage pour grand volume (12), comme illustré par la section "Flexible pour grand volume".
- ◆ Insérez le flexible pour grand volume (7) ou la buse conique (8) dans l'objet à gonfler.
- ◆ Enfoncez le commutateur de mode (2), côté Grand volume, indiqué par le symbole du matelas pneumatique.
- ◆ Pour éteindre l'appareil, placez l'interrupteur en position centrale.

Pour activer le mode Haute Pression

Le flexible pour grand volume sert pour les objets qui nécessitent plus de pression d'air, comme les pneus et les ballons de basket par exemple.

- ◆ Sortez le flexible haute pression (10) de son compartiment de rangement.
- ◆ Fixez une buse, comme décrit par la section "Adaptateur de valve universel".
- ◆ Insérez la buse dans l'objet à gonfler.
- ◆ Enfoncez le commutateur de mode (2), côté Haute pression, indiqué par le symbole du pneu.
- ◆ Pour éteindre l'appareil, placez l'interrupteur en position centrale.

Dégonfler en utilisant le flexible pour grand volume (Fig. H)

Avertissement ! Faites attention aux objets qui pourraient être éjectés. Pendant le dégonflage, une grande quantité d'air sort du raccord de la pompe de gonflage pour grand volume (12). Assurez-vous que l'adaptateur de valve universel n'est orienté vers rien ni personne.

- ◆ Sortez le flexible pour grand volume (7) de son compartiment de rangement.
- ◆ Alignez l'extrémité du flexible (23) avec le raccord de la pompe de dégonflage pour grand volume (11). Glissez ensuite fermement le flexible pour le fixer en place.
- ◆ Insérez le flexible ou sa buse conique (8) dans l'objet à dégonfler.
- ◆ Enfoncez le commutateur de mode (2), côté Grand volume, indiqué par le symbole du matelas pneumatique, comme indiqué par la figure G.
- ◆ Pour éteindre l'appareil, placez l'interrupteur en position centrale.
- ◆ Pour retirer le flexible, tournez-le dans le sens des aiguilles d'une montre et glissez-le hors du raccord.

Réglage de la pression d'extinction automatique

Remarque : L'écran LCD ne montre les pressions de gonflage que lorsque le gonfleur est utilisé. Dans les deux modes, Gonflage et Pompage, l'appareil indique l'état de la batterie.

- ◆ Pour commuter entre les différentes unités de mesure (psi, bar ou kPa), appuyez sur le bouton Mode pression (5) jusqu'à ce que l'unité voulue soit affichée.
- ◆ Appuyez sur les touches de réglage de pression - ou + (4) jusqu'à ce que la pression requise soit affichée.
- ◆ Après 3 secondes, l'affichage clignote et revient à "0.0". Ceci est un phénomène normal.
- ◆ Raccordez l'adaptateur de valve universel et, le cas échéant, les accessoires au pneumatique à gonfler, en vous assurant que le levier de l'adaptateur de valve est verrouillé vers le bas.
- ◆ Pour mettre le gonfleur en marche, enfoncez le commutateur de mode (2), du côté du symbole du pneu.
- ◆ Quand l'équipement à gonfler atteint la valeur préréglée, l'appareil s'arrête automatiquement. **REMARQUE :** Vous pouvez remarquer que la pression affichée peut chuter après quelques secondes. Ceci est un phénomène normal.
- ◆ Pour arrêter le gonfleur à tout moment, remplacez l'interrupteur principal en position centrale.

Remarque : Si l'interrupteur CA/CC est coupé, tous les réglages sont perdus et ils doivent être paramétrés à nouveau. Il s'agit d'une fonction de sécurité qui permet d'éviter le risque qu'un équipement soit surgonflé.

Utilisation du gonfleur comme manomètre

- ◆ Raccordez l'adaptateur de valve universel (9) à l'équipement devant être contrôlé.
- ◆ Enfoncez le commutateur de mode (2), du côté du symbole du pneu.
- ◆ L'écran affiche la pression de l'équipement.
- ◆ Après le contrôle, remplacez le commutateur de mode (2) en position centrale et rangez le flexible pneumatique dans le compartiment de rangement.

Maintenance

Votre appareil BLACK+DECKER sans fil a été conçu pour fonctionner longtemps avec un minimum d'entretien. Le fonctionnement continu et satisfaisant de l'appareil dépend de son bon entretien et de son nettoyage régulier.

Avertissement ! Avant toute intervention de maintenance sur les appareils sans fil :

- ◆ Déchargez complètement la batterie si elle est intégrée au système, puis arrêtez l'appareil.
- ◆ Débranchez le chargeur avant de le nettoyer. Votre chargeur ne nécessite aucun entretien particulier, à l'exception d'un nettoyage régulier.
- ◆ Nettoyez régulièrement les fentes d'aération de votre appareil/chargeur à l'aide d'une brosse souple ou d'un chiffon sec.
- ◆ Nettoyez régulièrement le bloc-moteur à l'aide d'un chiffon humide. N'utilisez pas de détergents abrasifs ou à base de solvants.

Protection de l'environnement



Tri sélectif. Les produits et batteries marqués de ce symbole ne doivent pas être jetés avec les déchets ménagers.

Les produits et batteries contiennent des matières qui peuvent être récupérées et recyclées afin de réduire la demande en matières premières. Veillez à recycler les produits électriques et les piles et batteries conformément aux dispositions locales en vigueur. Plus d'informations sont disponibles sur le site www.2helpU.com

Caractéristiques techniques

	BDCINF18
Tension	18V
Poids	2 Kg (sans la batterie)
Classe	II

Batterie*		BL1318
Tension	V _{cc}	18
Capacité	Ah	1,3
Type		Li-Ion

Batterie*		BL1518
Tension	V _{cc}	18
Capacité	Ah	1,5
Type		Li-Ion

Batterie*		BL2018
Tension	V _{cc}	18
Capacité	Ah	2,0
Type		Li-Ion

Batterie*		BL4018
Tension	V _{cc}	18
Capacité	Ah	4,0
Type		Li-Ion

Batterie*		BL1554
Tension	V _{cc}	18
Capacité	mAh	2500
Type		Li-Ion

Batterie*		BL2554
Tension	V _{cc}	18
Capacité	mAh	2500
Type		Li-Ion

Bloc-batterie Bluetooth de remplacement*	BL1518ST	BL2018ST	
Tension	V _{cc}	18	18
Capacité	Ah	1,5	2
Type	Li-Ion		Li-Ion

Chargeur*		SSC-250040X
Tension d'entrée	V _{CA}	230
Tension de sortie	V _{CC}	8 - 20
Courant	mA	400

* Non fourni avec l'appareil

Garantie

Black & Decker est sûr de la qualité de ses produits et offre une garantie de 24 mois aux utilisateurs, à partir de la date d'achat. Cette garantie s'ajoute à vos droits légaux auxquels elle ne porte aucunement préjudice. Cette garantie est valable au sein des territoires des États membres de l'Union Européenne et au sein de la Zone européenne de libre-échange.

Pour prétendre à la garantie, la réclamation doit être en conformité avec les conditions générales de Black & Decker et vous devez fournir une preuve d'achat au vendeur ou au réparateur agréé. Les conditions générales de la garantie de 2 ans Black & Decker ainsi que l'adresse du réparateur agréé le plus proche sont disponibles sur le site Internet www.2helpU.com ou en contactant votre agence Black & Decker locale à l'adresse indiquée dans ce manuel.

Veuillez consulter notre site Internet www.blackanddecker.co.uk pour enregistrer votre nouveau produit Black & Decker et pour être tenu informé des nouveaux produits et offres spéciales.

(Traduzione del testo originale)

ITALIANO

Usò previsto

La stazione di gonfiaggio BLACK+DECKER BDCINF18 è stata progettata per essere utilizzata senza fili o nella maggior parte dei veicoli dalla presa standard da 12 Volt per gonfiare pneumatici per auto e moto, palloni, gommoni, materassi ad aria, galleggianti per piscina. L'utensile è destinato esclusivamente per l'uso del consumatore.



Leggere attentamente il presente manuale prima di usare l'apparecchio.

Istruzioni di sicurezza



Avvertenza! Leggere attentamente tutte le avvertenze e le istruzioni di sicurezza.

La mancata osservanza delle avvertenze e istruzioni elencate di seguito potrebbe dar luogo a scosse elettriche, incendi e/o infortuni gravi.

- ◆ L'uso previsto è descritto nel presente manuale.

Se questo apparecchio viene utilizzato con accessori o per impieghi diversi da quelli raccomandati nel presente manuale, si potrebbero verificare lesioni personali.

- ◆ Conservare il presente manuale per future consultazioni.
- ◆ Questo apparecchio deve essere utilizzato esclusivamente con i pacchi batteri elencati nel manuale come alimentazione cordless.
- ◆ In caso di danneggiamento del filo di alimentazione, è necessario farlo riparare dal fabbricante o da un agente di servizio o altro personale qualificato in modo da evitare eventuali pericoli.

Utilizzo dell'apparecchio

- ◆ Non usare l'apparecchio per aspirare liquidi o materiali che potrebbero incendiarsi.
- ◆ Non immergere l'elettrotensile in acqua.
- ◆ Non tirare mai il cavo di alimentazione per scollegare il caricabatterie dalla presa di corrente. Tenere il cavo di alimentazione del caricabatterie lontano da fonti di calore, olio e bordi taglienti.

Sicurezza altrui

- ◆ Questo elettrotensile non è stato progettato per l'impiego da parte di persone portatrici di handicap fisici, psichici o sensoriali di qualsiasi età, o di soggetti che non siano in possesso della dovuta esperienza o conoscenza, salvo che siano seguite

o opportunamente istruite sul suo impiego da parte di una persona responsabile della loro sicurezza.

- ◆ I bambini devono essere sorvegliati per assicurarsi che non giochino con l'apparecchio.

Ispezione e riparazioni

Prima dell'impiego, controllare che l'apparecchio non sia danneggiato e non presenti parti difettose.

Controllare che non siano presenti parti rotte, interruttori danneggiati o altre condizioni che potrebbero incidere sul suo funzionamento.

- ◆ Non usare l'apparecchio se alcune parti sono danneggiate o difettose.
- ◆ Fare riparare o sostituire le parti danneggiate o difettose da un tecnico riparatore autorizzato.
- ◆ Controllare a intervalli regolari che il cavo di alimentazione del caricabatterie non sia danneggiato. Sostituire il caricabatterie se il cavo è danneggiato o difettoso.
- ◆ Non tentare di smontare o sostituire alcuna parte, ad eccezione di quelle specificate nel presente manuale.

Ulteriori precauzioni di sicurezza

- ◆ Per gonfiare pneumatici di biciclette, palloni, gommoni, materassini e materassi gonfiabili e molti altri articoli domestici. Il funzionamento continuo massimo consigliato a 65 psi è di 2 minuti con 5 minuti di spegnimento.
- ◆ L'aria compressa erogata dal compressore non può essere respirata.

Non respirare mai l'aria erogata dal compressore o da un respiratore collegato al compressore.

- ◆ Una pressione dell'aria troppo elevata presenta il rischio di far scoppiare l'articolo.
Controllare il valore nominale massimo indicato del fabbricante degli oggetti che si stanno gonfiando.
- ◆ Non lasciare che il compressore funzioni incustodito. Potrebbe far scoppiare pneumatici o altri articoli.
- ◆ Utilizzare un manometro per controllare la pressione dei pneumatici prima di ogni utilizzo e durante il gonfiaggio dei pneumatici; vedere il fianco del pneumatico per la corretta pressione del pneumatico.
- ◆ Non modificarlo e non tentare di ripararlo. Non trapanare, saldare o apportare modifiche al compressore o ai rispettivi accessori.
- ◆ Utilizzare soltanto con gli accessori inclusi o con parti di trattamento dell'aria idonee per non meno di 160 psi.
- ◆ L'uso di accessori non raccomandati per impiego con questo elettroutensile potrebbe essere pericoloso.
- ◆ Non "giocare in maniera scatenata". L'alta pressione è pericolosa. Non puntare il getto d'aria contro sé stessi o altri.

Avvertenza! Lasciare sempre la leva dell'adattatore a valvola aperta quando non è in uso.

- ◆ Il compressore può riscaldarsi durante l'uso.

Lasciare raffreddare il compressore per 30 minuti prima di metterlo via.

Dopo l'uso

- ◆ Scollegare il caricabatterie prima della pulizia.
- ◆ Quando non viene usato, l'apparecchio deve essere conservato in un luogo asciutto.
- ◆ L'apparecchio non deve essere riposto alla portata dei bambini.

Rischi residui

L'utilizzo dell'apparecchio può comportare rischi residui non necessariamente riportati nelle presenti avvertenze di sicurezza. Tali rischi possono sorgere a seguito di un uso prolungato o improprio, ecc.

Malgrado il rispetto delle norme di sicurezza pertinenti e l'implementazione di dispositivi di sicurezza, alcuni rischi residui non possono essere evitati. Sono inclusi:

- ◆ lesioni causate o subite a seguito del contatto con parti rotanti/in movimento;
- ◆ lesioni causate o subite durante la sostituzione di parti, lame o accessori;
- ◆ lesioni causate dall'impiego prolungato di un apparecchio (quando si utilizza qualsiasi apparecchio per lunghi periodi, accertarsi di fare regolarmente delle pause);
- ◆ menomazioni uditive;
- ◆ rischi per la salute causati dall'aspirazione di polvere generata dall'utilizzo dell'apparecchio (ad esempio quando si lavora con il legno,

in modo particolare quello di quercia, faggio o l'MDF).

Batterie

- ◆ Non tentare mai di aprire le batterie per alcun motivo.
- ◆ Non lasciare che la batteria si bagni.
- ◆ Non conservare la batteria in luoghi dove la temperatura potrebbe superare i 40 °C.
- ◆ Caricare la batteria solo a temperature ambientali comprese tra 10 °C e 40 °C.
- ◆ Caricare la batteria esclusivamente con il caricabatterie fornito in dotazione con l'elettro utensile.
- ◆ Se si prevede che l'apparecchio rimarrà inutilizzato per lungo tempo, rimuovere la batteria.
- ◆ Quando si smaltiscono le batterie, seguire le istruzioni riportate al capitolo "Protezione dell'ambiente".



Non tentare di caricare batterie danneggiate.

Caricabatterie

- ◆ Usare il caricabatterie BLACK+DECKER solo per caricare la batteria dell'elettro utensile con il quale è stato fornito. Altre batterie potrebbero scoppiare causando lesioni alle persone e danni alle cose.
- ◆ Non tentare mai di ricaricare batterie non ricaricabili.
- ◆ Fare sostituire immediatamente i cavi di alimentazione difettosi.
- ◆ Non lasciare che il caricabatterie si bagni.

- ◆ Non aprire il caricabatterie.
- ◆ Non introdurre oggetti nel caricabatterie.

Sicurezza elettrica

Simboli sul caricabatterie



Leggere attentamente il presente manuale prima di usare l'apparecchio.



Il doppio isolamento di cui è provvisto l'apparecchio rende superfluo il filo di terra. Assicurarsi che la tensione della rete di alimentazione corrisponda al valore indicato sulla targhetta dei valori nominali.



Il caricabatterie è destinato esclusivamente all'uso in ambienti interni.

Etichette sull'apparecchio

Sull'apparecchio sono presenti i seguenti simboli, assieme al codice data.



Avvertenza! Per ridurre il rischio di lesioni personali, l'operatore deve leggere il manuale d'istruzioni.



Non esporre l'elettro utensile alla pioggia o a un'umidità intensa.



Prima di eseguire la manutenzione o di pulire l'elettro utensile, scollegare il filo di alimentazione dalla presa.



Non lasciare il compressore incustodito.



Apparecchio di classe II

Caratteristiche

Questo apparecchio presenta alcune o tutte le seguenti caratteristiche.

1. Interruttore di alimentazione CA/CC
2. Interruttore di alimentazione della modalità
3. LCD
4. Pulsanti di impostazione della pressione
5. Modalità pressione / Tasto reset
6. Impugnatura
7. Tubo flessibile ad alto volume
8. Ghiera conica
9. Adattatore a valvola universale
10. Tubo flessibile ad alta pressione
11. Raccordo di sgonfiaggio della pompa ad alto volume
12. Raccordo di gonfiaggio della pompa ad alto volume
13. Cavo CA 230V
14. Connettore per vetture 12V CC
15. Slot per batterie 18V MAX*
16. Valvola dello stelo dell'ago
17. Adattatore di accoppiamento in ottone
18. Ghiera conica

Assemblaggio

Stoccaggio del cavo 12V CC

- ◆ Avvolgere il cavo 12V CC intorno al fermacavo situato nella base del compressore e agganciare il connettore 12V CC (14) nella sua posizione di riposo sul fermacavo.

Stoccaggio del tubo dell'aria

- ◆ Il tubo flessibile ad alta pressione (10) è posizionato in un canale di stoccaggio attorno al davanti dell'unità. Avvolgere il tubo ad alta pressione all'interno del canale.

Stoccaggio del tubo flessibile ad alto volume

- ◆ Il tubo flessibile ad alto volume (7) è posizionato in un canale di stoccaggio attorno al retro dell'unità. Avvolgere il tubo ad alto volume all'interno del canale.

Vano accessori

- ◆ Gli accessori (16) (17) (18) sono conservati sul retro dell'unità all'interno dell'area di stoccaggio degli accessori.

Montaggio degli accessori

Adattatore a valvola universale (Fig. A)

- ◆ Il compressore viene fornito con la ghiera conica standard (18), un accoppiatore in ottone (17) e la valvola dello stelo dell'ago (16), posizionata sul retro dell'unità.
- ◆ Per utilizzare l'adattatore a valvola universale (9), assicurarsi che la leva sia sollevata.
- ◆ Posizionare l'adattatore a valvola sullo stelo dell'ago del compressore, sull'adattatore di accoppiamento in ottone o sulla ghiera conica.
- ◆ Premere la leva (19) sull'adattatore a valvola universale per bloccarlo in posizione.
- ◆ Appoggiare la valvola dello stelo dell'ago, l'adattatore di accoppiamento in ottone o la ghiera conica nell'articolo da gonfiare.

Nota: Verificare sempre che la leva sia sollevata quando l'elettrotensile non è usato. Azionare il compressore solo con l'adattatore valvola universale o con gli ugelli forniti.

Nota: Accertarsi che l'adattatore valvola universale sia saldamente bloccato in sede prima di accendere il compressore.

Tubo flessibile ad alto volume (Fig. B)

- ◆ Rimuovere il tubo flessibile ad alto volume (7) dall'apposito vano.
- ◆ Allineare le tacche (20) del tubo flessibile alle sporgenze (21) del raccordo di gonfiaggio della pompa ad alto volume (12). Quindi, far scorrere il tubo flessibile fino ad attaccarlo e ruotarlo in senso antiorario per fissarlo.
- ◆ Per rimuoverlo, ruotare il tubo flessibile in senso orario e far scivolare il tubo flessibile fino a staccarlo.

Nota: Molti articoli gonfiabili, in modo particolare i materassi pneumatici, sono dotati di deflettore interno che impedisce la perdita di aria durante il gonfiaggio. Se questo deflettore non viene spostato dalla ghiera, l'articolo da gonfiare non può essere gonfiato. Calzare saldamente la ghiera sulla valvola per essere sicuri di aprire questo deflettore.

Avvertenza! Rischio di esplosione. Una pressione dell'aria eccessiva può causare lo scoppio dell'articolo in oggetto o lesioni personali. Controllare il valore nominale massimo indicato del fabbricante degli articoli che si stanno gonfiando.

Nota: se il valore nominale della pressione dell'articolo che si sta gonfiando è superiore a 100 psi, tenere presente che il tempo di funzionamento massimo è di 10 minuti, seguito da un periodo di riposo di 20 minuti, prima del successivo riutilizzo.

Funzionamento

Avvertenza! per ridurre il rischio di gravi lesioni personali, spegnere l'apparato, staccare la spina dalla presa di corrente e rimuovere il pacco batteria prima di eseguire qualsiasi regolazione o la rimozione/installazione di dotazioni o accessori. Un avviamento accidentale può causare lesioni.

Avvertenza! Non far funzionare il compressore quando il motore dell'auto è acceso.

Nota: Verificare che la presa accessori da 12 V sia sotto tensione.

Su alcuni veicoli, la presa accessori è sotto tensione solo quando la chiave di accensione si trova sulla posizione accessori.

Inserimento e rimozione del pacco batteria (Fig. C, D)

Nota: per risultati ottimali, assicurarsi che il pacco batteria sia completamente carico prima dell'uso.

- ◆ Per installare il pacco batteria nel portello batteria (15), allineare il pacco batteria con le guide all'interno del portello batteria e farlo scorrere al suo interno fino a quando il pacco batteria sarà saldamente sistemato nell'apparecchio; controllare che non possa sganciarsi.
- ◆ Per rimuovere la batteria dall'apparecchio, premere il pulsante di sblocco (22) ed estrarre con decisione la batteria dal corpo motore dell'aspiratore. Inserire la batteria nel caricabatterie come descritto nella sezione di questo manuale riguardante il caricabatterie.

Accensione (Fig. E, F)

Avvertenza! Rischio di esplosione. Non lasciare che l'unità funzioni incustodita. Il gonfiaggio eccessivo di pneumatici e di altri oggetti potrebbe provocare lesioni gravi e danni alla proprietà.

Nota: Quando viene fornita l'alimentazione al compressore tramite batteria da 12v, 20v o 230V CA il display LCD rimane acceso per circa 10 minuti prima che il display si spenga/passi alla modalità sleep.

Ciò si verifica quando l'unità non funziona.

Per riattivare il sistema, l'utente dovrà premere la modalità pressione / tasto reset (5). A questo punto il display LCD si accende e il compressore è pronto per l'uso.

- ◆ Prima di accendere il compressore decidere quale fonte di alimentazione sarà utilizzata; adattatore 12V CC, spina 230V CA o un pacco batteria 20V MAX*.
- ◆ Per utilizzare l'adattatore 12V CC o il pacco batteria 20V MAX* premere l'interruttore di alimentazione CA/CC (1) situato sulla parte anteriore dell'unità a CC.
- ◆ Se si utilizza il cavo 12V CC, estendere sempre completamente il cavo CC da 12V prima di ogni uso.
- ◆ Collegare l'adattatore 12V CC (14) alla presa per accessori da 12V CC del veicolo.

Per utilizzare il cavo 230V CA premere l'interruttore di alimentazione CA/CC (1) situato sulla parte anteriore dell'unità a CC.

- ◆ Se si utilizza il cavo 230V CA, estendere sempre completamente il cavo prima di ogni uso.
 - ◆ Collegare la spina 230V CA a una presa a muro o a un cavo di prolunga di dimensioni adeguate collegato a una presa a muro.

Per accendere il tubo flessibile ad alto volume

Il tubo ad alto volume è destinato ad essere utilizzato per oggetti che trattengono grandi quantità di aria, come materassi ad aria, gommoni e galleggianti per piscina.

Nota: La modalità ad alto volume NON dispone di una funzione di spegnimento automatico.

- ◆ Fissare il tubo flessibile ad alto volume (7) al raccordo di gonfiaggio della pompa ad alto volume (12) come descritto nella sezione "Tubo ad alto volume".
- ◆ Inserire il tubo ad alto volume (7) o la ghiera conica (8) nell'oggetto da gonfiare.
- ◆ Premere il lato ad alto volume dell'interruttore principale (2) indicato dal simbolo del materasso ad aria.
- ◆ Per spegnerlo, spingere l'interruttore di alimentazione in posizione centrale.

Per accendere il tubo flessibile ad alta pressione

Il tubo ad alta pressione è destinato ad essere utilizzato per gli oggetti che necessitano di una maggiore pressione d'aria, come pneumatici e palloni da basket.

- ◆ Rimuovere il tubo flessibile ad alta pressione (10) dall'apposito vano.
- ◆ Fissare una ghiera come descritto nella sezione "Adattatore a valvola universale".
- ◆ Inserire la ghiera nell'oggetto da gonfiare.
- ◆ Premere il lato ad alta pressione dell'interruttore di alimentazione della modalità (2) indicato dal simbolo del pneumatico.
- ◆ Per spegnerlo, spingere l'interruttore di alimentazione in posizione centrale.

Sgonfiaggio con il tubo flessibile ad alto volume (Fig. H)

Avvertenza! Prestare attenzione agli oggetti che vengono espulsi. Durante lo sgonfiaggio, grandi quantità d'aria usciranno dal raccordo di gonfiaggio della pompa ad alto volume (12). Assicurarsi che l'adattatore della valvola universale non sia rivolto a nessuna persona o a nessun oggetto.

- ◆ Rimuovere il tubo flessibile ad alto volume (7) dall'apposito vano.
- ◆ Allineare l'estremità del tubo flessibile (23) al raccordo di sgonfiaggio della pompa ad alto volume (11). Quindi, farla scorrere saldamente nel tubo flessibile in modo che sia saldamente in posizione.
- ◆ Inserire il tubo flessibile o la ghiera conica (8) nell'oggetto da sgonfiare.
- ◆ Premere il lato ad alto volume dell'interruttore di alimentazione della modalità (2), come mostrato in figura G, indicato dal simbolo del materasso ad aria.
- ◆ Per spegnerlo, spingere l'interruttore di alimentazione in posizione centrale.

- ◆ Per rimuovere il tubo flessibile, ruotare il tubo flessibile in senso orario e far scivolare il tubo flessibile fino a staccarlo.

Impostazione della pressione di sgonfiamento automatica

Nota: L'LCD mostrerà le pressioni di gonfiaggio soltanto durante l'utilizzo del compressore. In modalità inflazione e pompa l'unità mostrerà lo stato della batteria.

- ◆ Per passare da un'unità di misura all'altra (psi, bar o kPa), premere il pulsante di modalità della pressione (5) fino a quando sono visualizzate le unità di misura richieste.
- ◆ Premere i pulsanti di regolazione della pressione - o + (4) fino a quando si raggiunge la pressione richiesta.
- ◆ Dopo 3 secondi il display lampeggia e ritorna a una lettura di "0.0". Si tratta di un fatto normale.
- ◆ Collegare l'adattatore valvola universale e gli accessori, se richiesto, all'articolo da gonfiare, verificando che la leva sull'adattatore valvola sia abbassata e bloccata in sede.
- ◆ Per avviare il compressore premere l'interruttore di alimentazione della modalità (2) verso il lato del simbolo del pneumatico.
- ◆ Quando l'articolo da gonfiare ha raggiunto il valore pre-tarato, il compressore si spegne automaticamente. **NOTA:** Si può notare che la lettura effettiva della pressione potrebbe scendere dopo un paio di secondi. Si tratta di un fatto normale.
- ◆ Per interrompere il gonfiaggio in qualsiasi momento, premere il pulsante di alimentazione principale per riportarlo alla posizione centrale.

Nota: Se l'interruttore di alimentazione CA/CC è spento, tutte le impostazioni verranno perse e dovranno essere reinserite. Si tratta di una funzione di sicurezza per prevenire il rischio di sovragonfiaggio degli oggetti.

Utilizzo del compressore come manometro

- ◆ Collegare l'adattatore a valvola universale 9 all'articolo da controllare.
- ◆ Premere l'interruttore di alimentazione della modalità (2) sul lato del simbolo del pneumatico.
- ◆ L'LCD visualizza la pressione dell'articolo.
- ◆ Dopo aver controllato, premere il pulsante di alimentazione della modalità (2) per riportarlo alla posizione centrale e riposizionare il tubo flessibile dell'aria nell'apposito vano.

Manutenzione

Questo apparecchio senza filo BLACK+DECKER è stato progettato per funzionare a lungo con una manutenzione minima. Prestazioni sempre soddisfacenti dipendono da una cura appropriata e da una pulizia regolare.

Avvertenza! Prima di qualsiasi operazione di manutenzione sugli apparecchi senza filo, svolgere le operazioni descritte di seguito.

- ◆ Scaricare completamente la batteria se è di tipo integrale, quindi spegnere l'apparecchio.
- ◆ Scollegare il caricabatterie dalla spina prima di pulirlo. Il caricabatterie non richiede nessuna manutenzione, salvo una regolare pulitura.
- ◆ Pulire regolarmente le prese di ventilazione dell'apparecchio/del caricabatterie con un pennello o un panno morbido e asciutto.
- ◆ Il vano del motore deve essere pulito regolarmente con un panno umido. Non usare materiali abrasivi o detergenti a base di solventi.

Protezione dell'ambiente



Raccolta differenziata. I prodotti e le batterie contrassegnati con questo simbolo non devono essere smaltiti con i rifiuti domestici normali.

Essi contengono materiali che possono essere recuperati o riciclati riducendo la richiesta di materie prime. Riciclare i prodotti elettrici e le batterie secondo le disposizioni locali. Ulteriori informazioni sono disponibili all'indirizzo www.2helpU.com

Dati Tecnici

	BDCINF18
Tensione	18V
Peso	2 Kg (senza le batterie)
Classe	II

Batteria*		BL1318
Tensione	V _{cc}	18
Capacità	Ah	1,3
Tipo		ioni di litio

Batteria*		BL1518
Tensione	V _{cc}	18
Capacità	Ah	1,5
Tipo		ioni di litio

Batteria*		BL2018
Tensione	V _{cc}	18
Capacità	Ah	2,0
Tipo		ioni di litio

Batteria*		BL4018
Tensione	V _{cc}	18
Capacità	Ah	4,0
Tipo		loni di litio

Batteria*		BL1554
Tensione	V _{cc}	18
Capacità	mAh	2500
Tipo		loni di litio

Batteria*		BL2554
Tensione	V _{cc}	18
Capacità	mAh	2500
Tipo		loni di litio

Pacco batteria Bluetooth alternativo*		BL1518ST	BL2018ST
Tensione	V _{cc}	18	18
Capacità	Ah	1,5	2
Tipo		loni di litio	loni di litio

Caricabatterie*		SSC-250040X
Tensione in ingresso	V _{AC}	230
Tensione erogata	V _{DC}	8 - 20
Corrente	mA	400

* Non fornito con l'unità

Garanzia

Black & Decker è certa della qualità dei propri prodotti e offre ai consumatori una garanzia di 24 mesi dalla data di acquisto. Il presente certificato di garanzia è complementare ai diritti legali e non li pregiudica in alcun modo. La garanzia è valida sui territori degli Stati membri dell'Unione Europea o dell'EFTA (Associazione europea di libero scambio).

Per attivare la garanzia, il reclamo deve essere effettuato in accordo con i Termini e Condizioni Black & Decker e sarà necessario presentare la prova di acquisto al venditore o all'agente di riparazione autorizzato. I Termini e condizioni della garanzia Black & Decker di 2 anno e la sede dell'agente di riparazione autorizzato più vicino sono consultabili su Internet all'indirizzo www.2helpU.com, o contattando l'ufficio Black & Decker di zona all'indirizzo indicato in questo manuale.

Visitare il nostro sito www.blackanddecker.it per registrare il prodotto Black & Decker appena acquistato e ricevere gli aggiornamenti su nuovi prodotti e offerte speciali.

(Vertaling van de originele instructies)

NEDERLANDS

Bedoeld gebruik

Uw BLACK+DECKER BDCINF18 Luchtcompressiestation is ontworpen voor snoerloos gebruik of voor voeding uit de standaard 12V-aansluiting in de meeste voertuigen, voor het oppompen van banden van auto's en fietsen, ballen, vloten, luchtbedden, drijfkussens, enz. Dit gereedschap is uitsluitend bedoeld voor consumentengebruik.



Lees deze handleiding aandachtig geheel door voordat u het apparaat in gebruik neemt.

Veiligheidsinstructies



Waarschuwing! Lees alle veiligheidswaarschuwingen en alle instructies. Wanneer de volgende waarschuwingen en voorschriften niet in acht worden genomen, kan dit een elektrische schok, brand of ernstig letsel tot gevolg hebben.

- ◆ In deze handleiding wordt het bedoeld gebruik beschreven. Het gebruik van accessoires of hulpstukken of de uitvoering van handelingen anders dan in deze gebruikershandleiding worden aanbevolen, kan een risico van persoonlijk letsel geven.
- ◆ Bewaar deze handleiding zorgvuldig zodat u deze altijd nog eens kunt raadplegen.
- ◆ Dit apparaat is alleen snoerloos te gebruiken met de accu's die in de handleiding worden vermeld.

- ◆ Als het netsnoer is beschadigd, moet het door de fabrikant, zijn serviceagent of door iemand die ook gekwalificeerd is, worden vervangen, zodat gevaarlijke situaties worden voorkomen.

Het apparaat gebruiken

- ◆ Gebruik het apparaat nooit voor het opzuigen van vloeistoffen of materialen die vlam kunnen vatten.
- ◆ Dompel het apparaat niet onder in water.
- ◆ Trek de oplader nooit aan het snoer uit het stopcontact. Houd de lader uit de buurt van warmtebronnen, olie en scherpe randen.

Veiligheid van anderen

- ◆ Dit gereedschap mag niet worden gebruikt door personen (waaronder kinderen) die lichamelijk of geestelijk mindervalide zijn of die geen ervaring met of kennis van dit gereedschap hebben, tenzij ze onder toezicht staan of instructies krijgen wat betreft het gebruik van het gereedschap van een persoon die verantwoordelijk is voor hun veiligheid.
- ◆ Er moet op worden toegezien dat kinderen niet met het apparaat spelen.

Inspectie en reparaties

Controleer het apparaat vóór gebruik op beschadigingen en defecten.

Controleer de machine op gebroken onderdelen, schade aan de schakelaars en andere omstandigheden die de werking ervan kunnen beïnvloeden.

- ◆ Werk niet met het apparaat als een onderdeel beschadigd is of defect.
- ◆ Laat beschadigde of defecte onderdelen door een van onze servicecentra repareren of vervangen.
- ◆ Controleer het snoer van de lader regelmatig op beschadigingen. Vervang de lader als het snoer beschadigd of defect is.
- ◆ Probeer nooit andere onderdelen te verwijderen of te vervangen dan in deze handleiding zijn vermeld.

Aanvullende Veiligheidsinstructies

- ◆ U kunt auto- en fietsbanden, ballen, opblaasbare boten, luchtbedden en nog veel meer in en rondom het huis oppompen. Aanbevolen maximale ononderbroken belasting op 65 psi is 2 minuten aan en 5 minuten uit.
- ◆ De gecompriëerde lucht van de compressor mag niet worden ingeademd. Adem nooit lucht in van deze compressor of van een ademapparaat dat op de compressor is aangesloten.
- ◆ Bij een te grote luchtdruk bestaat het gevaar dat het object uit elkaar klapt. Let op de maximale druk voor opblaasbare voorwerpen. Deze maximale druk wordt aangegeven door de fabrikant.
- ◆ Laat de compressor niet onbeheerd achter terwijl deze is ingeschakeld. In dat geval kunnen banden of andere objecten klappen.

- ◆ Meet met een bandenspanningsmeter de bandenspanning voordat u de compressor gebruikt en tijdens het oppompen van banden; op de wand van de band vindt u de juiste bandenspanning.
- ◆ Maak geen aanpassingen aan het apparaat en probeer het niet te repareren. Boor of las niet in de en pas de compressor en de hulpstukken niet aan.
- ◆ Werk alleen met de accessoires die zijn meegeleverd of met onderdelen voor luchtbehandeling die geschikt zijn voor ten minste 160 psi.
- ◆ Als u hulpstukken gebruikt die niet worden aanbevolen voor dit gereedschap, kan dat gevaar opleveren.
- ◆ Speel geen spelletjes met dit gereedschap. Hoge luchtdruk is gevaarlijk. Blaas nooit in de richting van een persoon.

Waarschuwing! Wanneer u de compressor niet gebruikt, moet de ventieladapter altijd omhoog staan.

- ◆ De compressor kan heet worden tijdens het gebruik. Laat de compressor 30 minuten afkoelen voordat u het apparaat opbergt.

Na gebruik

- ◆ Neem de lader uit het stopcontact voordat u deze schoonmaakt.
- ◆ Bewaar het apparaat na gebruik op een droge plaats.
- ◆ Berg apparaten op buiten bereik van kinderen.

Overige risico's

Er kunnen zich bij het gebruik van dit gereedschap nog meer risico's voordoen, die mogelijk niet in de bijgesloten veiligheids waarschuwingen worden beschreven. Deze risico's kunnen zich voordoen door onoordeelkundig gebruik, langdurig gebruik, enz. Zelfs wanneer de veiligheidsvoorschriften in acht worden genomen en de veiligheidsvoorzieningen worden gebruikt, kunnen bepaalde risico's niet worden uitgesloten. Dit zijn onder meer:

- ◆ Verwondingen die worden veroorzaakt door het aanraken van draaiende of bewegende onderdelen.
- ◆ Verwondingen die worden veroorzaakt bij het vervangen van onderdelen, bladen of accessoires.
- ◆ Verwondingen die worden veroorzaakt door langdurig gebruik van het gereedschap. Wanneer u langere periodes met de machine werkt, kunt u het beste regelmatig een pauze nemen.
- ◆ Gehoorbeschadiging.
- ◆ Gezondheidsrisico's als gevolg van het inademen van stof dat door gebruik van het gereedschap wordt veroorzaakt (bijvoorbeeld tijdens het werken met hout, met name eiken, beuken en MDF).

Accu's

- ◆ Probeer nooit om welke reden dan ook de accu open te maken.
- ◆ Stel de accu niet bloot aan water.

- ◆ Bewaar de accu niet op locaties met temperaturen van meer dan 40 °C.
- ◆ Laad de accu alleen op bij een omgevingstemperatuur van 10 °C tot 40 °C.
- ◆ Gebruik alleen de lader die bij het gereedschap is geleverd.
- ◆ Als het apparaat wordt opgeborgen en lange tijd niet zal worden gebruikt, is het beter de accu's er uit te nemen.
- ◆ Gooi lege accu's weg volgens de instructies in het gedeelte "Het milieu beschermen".



Probeer niet beschadigde accu's op te laden.

Laders

- ◆ Gebruik de lader van BLACK+DECKER alleen voor de accu's in het apparaat waarbij de lader is bijgeleverd. Andere accu's kunnen openbarsten, met letsel en materiële schade tot gevolg.
- ◆ Niet-oplaadbare accu's mogen nooit worden opgeladen.
- ◆ Een defect snoer moet direct worden vervangen.
- ◆ Stel de lader niet bloot aan water.
- ◆ Open de lader niet.
- ◆ Prik nooit met een scherp voorwerp in de lader.

Elektrische veiligheid

Symbolen op de lader



Lees deze handleiding zorgvuldig door voordat u het apparaat in gebruik neemt.



Dit gereedschap is dubbel geïsoleerd. Een aardeaansluiting is daarom niet nodig. Controleer altijd of de stroomvoorziening overeenkomt met de voltage op het typeplaatje.



De lader is uitsluitend bestemd voor gebruik binnenshuis.

Labels op het apparaat

Naast de datumcode worden op het apparaat de volgende pictogrammen afgebeeld.



Waarschuwing! De gebruiker moet de instructiehandleiding lezen zodat het risico van letsel wordt beperkt.



Stel het apparaat niet bloot aan regen of een hoge luchtvochtigheid.



Verwijder altijd de stekker uit het stopcontact voordat u onderhouds- of reinigingsswerkzaamheden aan het apparaat uitvoert.



Laat de compressor niet onbeheerd achter.



Klasse II-apparaat

Functies

Dit gereedschap is voorzien van enkele of alle van de volgende functies.

1. Aan/uit-schakelaar wisselstroom/gelijkstroom
2. Aan/uit/standenschakelaar
3. LCD-scherm

4. Knoppen voor instelling oppompen
5. Knop Stand Oppompen / Reset
6. Handgreep
7. Hoogvolumeslang
8. Taps toelopende aansluiting
9. Universele ventieladapter
10. Hogedrukslang
11. Aansluiting leeglopen groot volume
12. Aansluiting oppompen groot volume
13. 230V AC-snoer
14. 12V-connector voor voertuigen
15. Accusleuf 18V MAX*
16. Naaldventiel van compressor
17. Adapter messing koppeling
18. Taps toelopende aansluiting

Montage

Opslag 12V gelijkstroomsnoer

- ◆ Wikkel het 12V gelijkstroomsnoer rond de snoerhouder die zich in de voet van de compressor bevindt en klik de 12V gelijkstroomconnector (14) in het opbergvak op de snoerhouder.

Luchtslang opbergen

- ◆ De hogedrukslang (10) bevindt zich in het opbergkanaal rond de voorzijde van de unit. Berg de hogedrukslang op in het opbergkanaal.

Hoogvolumeslang opbergen

- ◆ De hoogvolumeslang (7) bevindt zich in het opbergkanaal rond de achterzijde van de unit. Berg de hogevolumeslang op in het opbergkanaal.

Opslagval voor hulpstukken

- ◆ De accessoires (16) (17) (18) worden opgeborgen in het opbergvakken voor accessoires aan de achterzijde van de unit.

De hulpstukken aanbrengen

Universele ventieladapter (Afb. A)

- ◆ Uw compressor is voorzien van de standaard taps toelopende aansluiting (18), een messing koppeling (17) en het naaldventiel (16) van de compressor, die zich aan de achterzijde van de unit bevinden.
- ◆ Controleer, als u de universele ventieladapter (9) wilt gebruiken, dat de hendel omhoog staat.
- ◆ Plaats de ventieladapter op het beginstuk van het naaldventiel, de adapter van de messing koppeling of op de taps toelopende aansluiting.
- ◆ Zet de hendel (19) op de universele ventieladapter vast door deze naar beneden te drukken.

- ◆ Steek de naaldventiel van de compressor, de adapter van de messing koppeling of de taps toelopende aansluiting in het item dat u wilt oppompen.

Opmerking: Let er altijd op dat de hendel omhoog staat wanneer u het apparaat niet gebruikt. Gebruik de compressor alleen met de universele ventieladapter of met de meegeleverde mondstukken.

Opmerking: Controleer dat de universele ventieladapter stevig vastzit en zet vervolgens pas de compressor aan.

Hoogvolumeslang (Afb. B)

- ◆ Neem de hoogvolumeslang 7 uit het opbergvak.
- ◆ Houd de uitsparingen (20) van de slang tegenover de nokken (21) van de aansluiting (12) van de hoogvolumeslang. Schuif vervolgens de slang op de aansluiting en zet de slang vast door deze naar links te draaien.
- ◆ U kunt de slang losnemen door deze naar rechts te draaien en van de aansluiting te schuiven.

Opmerking: Veel opblaasbare objecten, vooral luchtmatrasen, hebben een interne klep waardoor er tijdens het opblazen geen lucht kan ontsnappen. Als deze klep niet opzij wordt gedrukt door de spuitmond, wordt het opblaasbare object niet opgeblazen. Druk de spuitmond stevig in het ventiel om ervoor te zorgen dat de klep opzij wordt gedrukt.

Waarschuwing! Risico van barsten. Bij een te grote luchtdruk bestaat het gevaar dat het object uit elkaar klappt of dat iemand gewond raakt. Let op de maximale druk voor opblaasbare objecten. Deze druk wordt aangegeven door de fabrikant.

Opmerking: Houd er, als de aangegeven druk voor het object dat wordt opgeblazen hoger is dan 100 psi, rekening mee dat u de compressor maximaal 10 minuten mag werken. Laat de compressor vervolgens 20 minuten uitgeschakeld staan. Daarna kunt u de compressor weer gebruiken.

Bediening

Waarschuwing! Beperk het risico van ernstig persoonlijk letsel, breng pas aanpassingen aan en verwijder/installeer pas hulpstukken of accessoires wanneer u het apparaat hebt uitgeschakeld en u de stekker uit het stopcontact hebt getrokken en de accu hebt uitgenomen. Wanneer het apparaat per ongeluk wordt opgestart, kan dat letsel tot gevolg hebben.

Waarschuwing! Werk niet met de compressor terwijl de motor van de auto draait.

Opmerking: Zorg ervoor dat het 12V-aansluitpunt voor de sigarettenaansteker onder spanning staat.

Voor sommige auto's is het nodig dat de sleutel in de accessoirestand wordt gezet voordat de stekkerbus onder spanning komt te staan.

De accu installeren en verwijderen (Afb. C, D)

Opmerking: U bereikt het beste resultaat wanneer de accu volledig is opgeladen.

- ◆ Plaats de accu in de accupoort (15) door de accu tegenover de rails in de accupoort te houden en de accu in de handgreep te schuiven tot de accu stevig op z'n plaats zit in het gereedschap en controleer vervolgens dat de accu niet los kan komen.
- ◆ U kunt de accu uit het gereedschap nemen door op de vrijgaveknop (22) te drukken en de accu met een stevige ruk uit naar buiten te trekken. Plaats de accu in de lader zoals wordt beschreven in het ladergedeelte van deze handleiding.

- ◆ Bevestig de hoogvolumeslang (7) op de aansluiting (12) voor het pompen van een hoog volume, zoals wordt beschreven in het hoofdstuk "Hoogvolumeslang".
- ◆ Steek de hoogvolumeslang (7), of de taps toelopende aansluiting (8) ervan in het object dat wordt opgepompt.
- ◆ Druk op de hoogvolume-zijde van de schakelaar standen/aan/uit (2), die wordt aangeduid met het symbool van het luchtbed.
- ◆ U schakelt het apparaat weer uit door de aan/uit-schakelaar in de middenpositie te zetten.

Inschakelen (Afb. E, F)

Waarschuwing! Risico van barsten. Laat de unit niet onbeheerd achter terwijl deze is ingeschakeld. Wanneer banden of andere artikelen te hard worden opgepompt, kan dat ernstige letsel en materiële schade tot gevolg hebben.

Opmerking: Wanneer de compressor met een 12V-, 20V-accu of met 230V AC wordt gevoed, blijft de LCD-display ongeveer 10 minuten aan en gaat de display vervolgens uit/in sluimerstand.

Dit gebeurt wanneer de unit niet werkt.

De gebruiker kan het systeem weer inschakelen door op de knop (5) voor de oppompstand / reset te duwen. De LCD-display wordt dan

ingeschakeld en de compressor is dan klaar voor gebruik.

- ◆ Voordat u de compressor inschakelt, moet u beslissen welke voeding u wilt gebruiken: 12V DC-adapter, de 230V-stekker of de 20V MAX*-accu.
- ◆ U kunt de 12V DC-adapter of de 20V MAX*-accu te gebruiken door de schakelaar (1) voor AC/DC-voeding op de voorzijde van de unit in de stand DC te duwen.
- ◆ Als u het snoer voor 12V DC gebruikt, moet u het snoer altijd volledig uittrekken voordat u het gebruikt.
- ◆ Sluit het 12V DC-adapter (14) aan op de 12V DC-aansluiting voor accessoires in het voertuig.

U kunt het 230V DC-snoer gebruiken door de schakelaar (1) voor AC/DC-voeding op de voorzijde van de unit in de stand AC te duwen.

- ◆ Als u het snoer voor 230V AC gebruikt (13) moet u het snoer altijd volledig uittrekken voordat u het gebruikt.
 - ◆ Steek de 230V AC-stekker (13) in een stopcontact aan de wand of sluit het aan op een verlengsnoer van de juiste afmeting dat op het stopcontact is aangesloten.

Hoogvolume inschakelen

De hoge volumeslang is bedoeld voor objecten die grote hoeveelheden lucht bevatten, zoals luchtbedden, vloten en zwembadspiegelgoed.

Opmerking: De hoogvolume-stand heeft NIET een automatische uitschakelfunctie.

Hogedruk inschakelen

De hogedrukslang is bedoeld voor objecten die een hogere luchtdruk vragen, zoals banden en basketballen.

- ◆ Neem de hogedrukslang (10) uit het opbergvak.
- ◆ Bevestig een aansluiting, zoals wordt beschreven in het hoofdstuk "Universele ventieladapter".
- ◆ Steek de aansluiting in het object dat wordt opgepompt.
- ◆ Druk op de hogedruk-zijde van de schakelaar standen/aan/uit (2) die wordt aangeduid met het symbool van de band.
- ◆ U schakelt het apparaat weer uit door de aan/uit-schakelaar in de middenpositie te zetten.

Lucht laten ontsnappen met behulp van de hoogvolumeslang (Afb. H)

Waarschuwing! Houd rekening met objecten die worden weggeblazen. Wanneer u lucht laat ontsnappen, komen er grote hoeveelheden lucht uit de aansluiting (12) die wordt gebruikt door de hoogvolumepomp. Let erop dat de universele ventieladapter niet op iemand of iets is gericht.

- ◆ Neem de hoogvolumeslang (7) uit het opbergvak.
- ◆ Houd het uiteinde (23) van de slang tegenover de aansluiting (11) van de hoogvolumepomp voor het laten ontsnappen van lucht. Schuif vervolgens de slang met een krachtige beweging vast
- ◆ Steek de slang, of de taps toelopende aansluiting (8) ervan in het object waaruit u lucht wilt laten ontsnappen.
- ◆ Druk op de hoogvolume-zijde van de schakelaar standen/aan/uit (2), die wordt aangeduid met het symbool van het luchtbed, zoals wordt getoond in afbeelding G.
- ◆ U schakelt het apparaat weer uit door de aan/uit-schakelaar in de middenpositie te zetten.
- ◆ U kunt de slang losnemen door deze naar rechts te draaien en van de aansluiting te schuiven.

De druk voor automatisch uitschakelen instellen

Opmerking: Het LCD-scherm toont alleen de luchtdruk wanneer de compressor wordt gebruikt. In zowel de stand voor het oppompen als in de pompstand wordt de status van de accu getoond.

- ◆ U kunt tussen de verschillende eenheden overschakelen (psi, bar of kPA) door op de druk-standknop (5) te drukken tot de gewenste eenheden worden weergegeven.
- ◆ Druk op de instelknoppen voor de druk - of + (4) tot de gewenste druk wordt weergegeven.
- ◆ Na 3 seconden knippert de display en wordt weer "0,0" aangegeven. Dit is normaal.
- ◆ Sluit de universele ventieladapter en, indien nodig, hulpstukken aan op het object dat u wilt oppompen en let er daarbij op dat de hendel van de ventieladapter omlaag staat zodat deze is vergrendeld.
- ◆ U start de compressor door op de schakelaar standen/aan/uit (2) te drukken, naar de zijde van het symbool van de band.
- ◆ Wanneer het op te blazen object de ingestelde waarde heeft bereikt, wordt het apparaat automatisch uitgeschakeld. **OPMERKING:** U zult misschien zien dat de werkelijke uitlezing van de druk na enkele seconden daalt. Dit is normaal.
- ◆ U kunt de compressor te allen tijde stoppen door de schakelaar standen/aan/uit in de middenpositie te zetten.

Opmerking: Zet u de schakelaar wisselstroom/gelijkstroom op de stand Uit, dan gaan alle instellingen verloren en zult u die opnieuw moeten invoeren. Dit is een veiligheidsvoorziening die moet voorkomen dat objecten te hard worden opgepompt.

De compressor als drukmeter gebruiken

- ◆ Sluit het universele ventieladapter (9) aan op het object waarvan u de druk wilt controleren.
- ◆ Druk op de schakelaar standen/aan/uit (2), aan de zijde van het symbool van de band.
- ◆ Op het LCD-scherm zal de druk van het object worden weergegeven.
- ◆ Druk na het controleren de schakelaar standen/aan/uit (2) weer in de middenpositie en berg de luchtslang weer op in het opbergvak.

Onderhoud

Uw snoerloze BLACK+DECKER-apparaat is ontworpen om gedurende lange tijd te functioneren met een minimum aan onderhoud. Het continu naar tevredenheid functioneren hangt af van de juiste zorg voor het gereedschap en regelmatig schoonmaken.

Waarschuwing! Ga altijd als volgt te werk voor u onderhouds- of reinigingswerkzaamheden aan het snoerloze apparaat uitvoert:

- ◆ Als de accu is ingebouwd, laat u deze volledig ontladen. Schakel dan het apparaat uit.
- ◆ Neem de lader uit het stopcontact voordat u deze schoonmaakt. Behalve regelmatige reiniging vraagt de lader geen onderhoud.

- ◆ Reinig regelmatig de ventilatieopeningen van het apparaat/de lader met een zachte borstel of droge doek.
- ◆ Reinig de behuizing van de motor regelmatig met een vochtige doek. Gebruik niet een schurend schoonmaakmiddel of een schoonmaakmiddel op basis van een oplosmiddel.

Het milieu beschermen



Gescheiden afvalinzameling. Producten en accu's waarop dit symbool is aangebracht, mogen niet bij het normale huishoudafval worden weggegooid.

Producten en accu's bevatten materialen die kunnen worden teruggewonnen of gerecycled en dat doet de vraag naar grondstoffen afnemen.

Recycle elektrische producten en accu's volgens de ter plaatse geldende bepalingen. Nadere informatie is beschikbaar op www.2helpU.com

Technische gegevens

		BDCINF18
Spanning		18V
Gewicht		2,0 kg (zonder accu's)
Klasse		II

		BL1318
Spanning	V_{dc}	18
Capaciteit	Ah	1,3
Type		Li-Ion

		BL1518
Spanning	V_{dc}	18
Capaciteit	Ah	1,5
Type		Li-Ion

		BL2018
Spanning	V_{dc}	18
Capaciteit	Ah	2,0
Type		Li-Ion

		BL4018
Spanning	V_{dc}	18
Capaciteit	Ah	4,0
Type		Li-Ion

Accu*		BL1554
Spanning	V _{dc}	18
Capaciteit	mAh	2500
Type		Li-Ion

Accu*		BL2554
Spanning	V _{dc}	18
Capaciteit	mAh	2500
Type		Li-Ion

Alternatieve Blue-tooth-accu*		BL1518ST	BL2018ST
Spanning	V _{dc}	18	18
Capaciteit	Ah	1,5	2
Type		Li-Ion	Li-Ion

Lader*		SSC-250040X
Ingangsspanning	V _{AC}	230
Uitgangsspanning	V _{DC}	8 - 20
Laadstroom	mA	400

* Wordt niet bij de unit geleverd

Garantie

Black & Decker heeft vertrouwen in zijn producten en biedt consumenten een garantie van 24 maanden vanaf de aankoopdatum. Deze garantie vormt een aanvulling op uw wettelijke rechten en beperken deze niet. De garantie is geldig op het grondgebied van de Lidstaten van de Europese Unie en de Europese Vrijhandelszone.

Voor een garantie-aanspraak moet uw aanspraak in overeenstemming zijn met de Voorwaarden en Conditie van Black & Decker en moet u een bewijs van aankoop overleggen aan de verkoper of aan een geautoriseerde reparatiemonteur. Voorwaarden en condities van de 2-jarige garantie van Black & Decker en het adres van de vestiging van het geautoriseerde reparatiecentrum bij u in de buurt, kunt u vinden op internet op www.2helpU.com, of door contact op te nemen met het Black & Decker-kantoor ter plaatse, op het adres dat in deze handleiding wordt vermeld.

Bezoek onze website www.blackanddecker.nl, waar u uw nieuwe Black & Decker-product kunt registreren en informatie kunt verkrijgen over nieuwe producten en speciale aanbiedingen.

Uso previsto

La estación de inflado BDCINF18 de BLACK+DECKER ha sido diseñada para usar sin cable o con el enchufe estándar de 12 voltios de muchos vehículos, para inflar neumáticos de coches y bicicletas, balones, botes inflables, colchones de aire, flotadores para piscinas, etc. Este aparato está previsto solo para uso del consumidor.



Lea todo el manual detenidamente antes de utilizar el aparato.

Instrucciones de seguridad



Advertencia. Lea todas las advertencias de seguridad y todas las instrucciones. En caso de no atenerse a las siguientes advertencias e instrucciones de seguridad, podría producirse una descarga eléctrica, incendio o lesión grave.

- ◆ En este manual se describe el uso para el que se ha diseñado el aparato. La utilización de accesorios o la realización de operaciones distintas a las recomendadas en este manual de instrucciones puede presentar un riesgo de lesiones.
- ◆ Conserve este manual para futuras consultas.
- ◆ Este aparato debe usarse únicamente con las batería indicadas en el manual para usarlo sin cable.
- ◆ Si se daña el cable de alimentación, debe ser sustituido por el fabricante, un centro de servicio técnico autorizado u otras personas debidamente cualificadas, para evitar riesgos.

Utilización del aparato

- ◆ No utilice el aparato para recoger ningún líquido o material inflamable.
- ◆ No sumerja el aparato en agua.
- ◆ No tire del cable para desconectar el cargador de la toma de corriente. Mantenga el cable del cargador alejado de fuentes de calor, aceites y bordes afilados.

Seguridad de otras personas

- ◆ Las personas (incluidos niños) con capacidades físicas, sensoriales o mentales disminuidas o que carezcan de experiencia y conocimientos no deben utilizar esta herramienta, salvo que hayan recibido supervisión o formación con respecto al uso de la herramienta por parte de una persona responsable de su seguridad.
- ◆ Los niños deben vigilarse en todo momento para garantizar que el aparato no se toma como elemento de juego.

Inspecciones y reparaciones

Antes de utilizarlo, compruebe que el aparato no contenga piezas dañadas ni defectuosas.

Compruebe que no haya piezas rotas, que los interruptores no estén dañados y que no existan otros defectos que puedan afectar al funcionamiento del aparato.

- ◆ No utilice el aparato si presenta alguna pieza dañada o defectuosa.

- ◆ Solicite al servicio técnico autorizado la reparación o sustitución de las piezas dañadas o defectuosas.
- ◆ Compruebe con regularidad que el cable del cargador no ha sufrido daños. Sustituya el cargador si el cable está dañado o es defectuoso.
- ◆ Nunca intente extraer ni sustituir ninguna pieza que no esté especificada en este manual.

Instrucciones de seguridad adicionales

- ◆ Infle, tanto en interiores como en exteriores, neumáticos de bicicletas, balones, botes, flotadores, colchones inflables y muchos otros objetos. El servicio continuo máximo recomendado a 65 psi es de 2 minutos encendido y 5 minutos apagado.
- ◆ El aire comprimido del compresor de inflado no se debe respirar. Jamás inhale aire del compresor de inflado o de un dispositivo de inhalación conectado al compresor.
- ◆ Una presión de aire demasiado elevada provoca riesgo de explosión. Compruebe la indicación de presión máxima del fabricante de los artículos que vaya a inflar.
- ◆ No deje el compresor de inflado en funcionamiento sin vigilancia. Los neumáticos u otros artículos podrían estallar.

- ◆ Use un medidor de presión para comprobar la presión de los neumáticos antes de cada uso y mientras infla los neumáticos; consulte la presión correcta indicada en el lateral del neumático.
- ◆ No modifique el aparato ni intente repararlo. No realice ninguna perforación, soldadura o modificación en el compresor de inflado o sus accesorios.
- ◆ Utilice solo con los accesorios incluidos o piezas de flujo de aire que admitan no más de 160 psi.
- ◆ El uso de esta herramienta con cualquier accesorio no recomendado podría resultar peligroso.
- ◆ Nunca juegue con la herramienta. El aire de alta presión es peligroso. No dirija el flujo de aire hacia sí o hacia otras personas.

Advertencia. Cuando no utilice el aparato, deje siempre abierta la palanca del adaptador de la válvula.

- ◆ Es posible que, al utilizarlo, el compresor de inflado se caliente. Déjelo enfriar durante 30 minutos antes de guardarlo.

Después de la utilización

- ◆ Desenchufe el cargador antes de la limpieza.
- ◆ Cuando no lo utilice, guarde el aparato en un lugar seco.
- ◆ Los niños no deben tener acceso a los aparatos guardados.

Riesgos residuales

El uso de esta herramienta puede producir riesgos residuales adicionales no incluidos en las advertencias de seguridad adjuntas. Estos riesgos se pueden generar por un uso incorrecto, demasiado prolongado, etc.

El cumplimiento de las normas de seguridad correspondientes y el uso de dispositivos de seguridad no evitan ciertos riesgos residuales. Dichos riesgos incluyen:

- ◆ Lesiones producidas por el contacto con piezas móviles o giratorias.
- ◆ Lesiones producidas al cambiar cualquier pieza, hoja o accesorio.
- ◆ Lesiones producidas al usar una herramienta por un tiempo demasiado prolongado. Si utiliza una herramienta durante períodos de tiempo demasiado prolongados, asegúrese de realizar pausas con frecuencia.
- ◆ Deterioro auditivo.
- ◆ Riesgos para la salud producidos al respirar el polvo que se genera al usar la herramienta (por ejemplo: en los trabajos con madera, especialmente de roble, haya y tableros de densidad mediana).

Baterías

- ◆ Jamás trate de abrirla por ninguna razón.
- ◆ No exponga las baterías al agua.
- ◆ No las almacene en lugares en los que la temperatura pueda superar los 40 °C.

- ◆ Realice la carga únicamente a una temperatura ambiente de entre 10 °C y 40 °C.
- ◆ Utilice únicamente el cargador suministrado con la herramienta para realizar la carga.
- ◆ Si el aparato se guarda porque no se va a usar durante un largo periodo, hay que sacarle las baterías.
- ◆ Cuando vaya a desechar la batería, siga las instrucciones facilitadas en la sección "Protección del medio ambiente".




No intente cargar baterías dañadas.

Cargadores

- ◆ Solo debe utilizar el cargador BLACK+DECKER para cargar la herramienta con la que se suministró. Otras baterías podrían explotar y provocar lesiones y daños materiales.
- ◆ Nunca intente cargar baterías no recargables.
- ◆ Sustituya los cables defectuosos inmediatamente.
- ◆ No exponga el cargador al agua.
- ◆ No abra el cargador.
- ◆ No aplique ningún dispositivo para medir la resistencia del cargador.

Seguridad eléctrica

Símbolos del cargador

- ◆  Lea todo el manual detenidamente antes de utilizar el aparato.



Esta herramienta lleva un doble aislamiento; por lo tanto, no requiere una toma de tierra. Compruebe siempre que el voltaje suministrado corresponda al indicado en la placa de características.



El cargador ha sido concebido para ser utilizado únicamente en interiores.

Etiquetas del aparato

Junto con el código de la fecha, en el aparato aparecen los siguientes símbolos.



Advertencia. Para reducir el riesgo de lesiones, el usuario debe leer el manual de instrucciones.



No exponga el aparato a la lluvia ni a una humedad elevada.



Antes de realizar el mantenimiento o la limpieza del aparato, debe desenchufar el cable de alimentación.



No deje el compresor de inflado sin vigilancia.



Aparato de clase II

Características

Esta herramienta incluye parte o la totalidad de estas características.

1. Interruptor de alimentación CA/CC
2. Interruptor de modo
3. LCD

4. Botones de ajuste de presión
5. Botón modo de presión / restablecimiento
6. Mango
7. Manguera de alto volumen
8. Inyector cónico
9. Adaptador de válvula universal
10. Manguera de alta presión
11. Conexión de desinflado de la bomba de alto volumen
12. Conexión de inflado de la bomba de alto volumen
13. Cable de CA de 230 V
14. Conector de coche de CC de 12 V
15. Ranura batería de 18 V MAX*
16. Válvula de la aguja del inflador
17. Adaptador del acoplador de latón
18. Inyector cónico

- ◆ Apriete la palanca (19) del adaptador de válvula universal hasta que este encaje en su sitio.
- ◆ Coloque la válvula de la aguja de inflado, el adaptador del acoplador de latón o el inyector cónico en el elemento que desee inflar.

Nota: Compruebe siempre que la palanca se encuentra levantada cuando no la esté utilizando. Utilice el inflador solamente con el adaptador de válvula universal o con los inyectores suministrados.

Nota: Asegúrese de que el adaptador de válvula universal encaje firmemente antes de encender el compresor.

Manguera de alto volumen (Fig. B)

- ◆ Extraiga la manguera de alto volumen (7) del compartimento de almacenamiento.
- ◆ Alinee las muescas (20) de la manguera con las protuberancias (21) de la conexión de inflado de la bomba de alto volumen (12). Haga deslizar la manguera y gírela en sentido antihorario para fijarla.
- ◆ Para extraerla, gire la manguera en sentido horario y deslícela hacia fuera.

Nota: Muchos artículos inflables disponen de una solapa interna que evita que se pierda aire durante el inflado, especialmente los colchones inflables. A menos que el inyector desplace esta solapa, el artículo inflable no se inflará. Empuje firmemente el inyector en la válvula para asegurarse de que retira esta solapa.

Advertencia. Riesgo de explosión. Una presión de aire excesiva puede producir peligro de explosión o daños personales. Compruebe la indicación de presión máxima del fabricante de los artículos que se están inflando.

Nota: Si la presión máxima del artículo que se está inflando es superior a 100 psi, deberá inflarlo por un máximo de 10 minutos y dejarlo reposar 20 minutos antes de volver a utilizarlo.

Funcionamiento

Advertencia. Para reducir el riesgo de lesiones personales graves, apague el aparato, desconéctelo de la fuente de alimentación y retire la batería antes de realizar cualquier ajuste o poner o quitar acoplamientos o accesorios. Un arranque accidental puede causar lesiones.

Advertencia. No utilice el compresor de inflado cuando el motor del automóvil esté en funcionamiento.

Nota: Asegúrese de que la toma accesorio de 12 voltios esté activa.

En algunos vehículos, es posible que deba ajustarse la llave en la posición de contacto para que se active la toma de corriente.

Ensamblaje

Almacenamiento del cable de 12 V CC

- ◆ Enrolle el cable de CC de 12 V alrededor del guardacable situado en la base del inflador y coloque el conector de CC de 12 V (14) dentro del alojamiento del guardacable.

Almacenamiento de la manguera de aire

- ◆ La manguera de alta presión (10) está situado en un canal de almacenamiento alrededor de la parte delantera de la unidad. Enrolle la manguera de alta presión dentro del canal.

Almacenamiento de la manguera de alto volumen

- ◆ La manguera de alto volumen (7) está situada en un canal de almacenamiento alrededor de la parte trasera de la unidad. Enrolle la manguera de alto volumen dentro del canal.

Almacenamiento de accesorios

- ◆ Los accesorios (16) (17) (18) están guardados en la parte trasera de la unidad, dentro de la zona de almacenamiento de accesorios.

Colocación de los accesorios

Adaptador de válvula universal (Fig. A)

- ◆ La estación de inflado se suministra con un inyector cónico estándar (18), un acoplador de latón (17) y la válvula de la aguja de inflado (16), situados en la parte trasera de la unidad.
- ◆ Para utilizar el adaptador de válvula universal (9), compruebe que la palanca se encuentre levantada.
- ◆ Coloque el adaptador de válvula en el vástago de la válvula de la aguja de inflado, del adaptador del acoplador de latón o del inyector cónico.

Colocar y extraer la batería (Fig. C, D)

Nota: Para obtener mejores resultados, compruebe que el paquete de baterías esté completamente cargado.

- ◆ Para instalar la batería en el alojamiento de la batería (15), alinee la batería con las guías internas del alojamiento de la batería y deslicela en la empuñadura hasta que quede firmemente colocada en la herramienta y compruebe que no se salga.
- ◆ Para extraer la batería de la herramienta, pulse el botón de extracción (22) y extraiga con fuerza la batería de la empuñadura de la herramienta. Introduzca el cargador tal y como se indica en la sección del cargador del presente manual.

Encendido (Fig. E, F)

Advertencia. Riesgo de explosión. No deje la unidad en funcionamiento sin vigilancia. El inflado excesivo de los neumáticos u otros objetos puede causar lesiones y daños materiales graves.

Nota: Cuando el inflador está alimentado con baterías de 12 V o 20 V o por CA de 230 V, la pantalla LCD queda encendida durante aproximadamente 10 minutos y después se apaga o se pone en modo de suspensión.

Esto ocurre cuando la unidad no está en funcionamiento. Para reactivar el sistema, el usuario debe pulsar el botón de modo de presión / restablecimiento (5). Entonces la pantalla de LCD

se encenderá y el inflador estará listo para usar.

- ◆ Antes de encender el inflador decida qué fuente de alimentación va a usar, el adaptador de 12 V CC, el enchufe de CA de 230 V o la batería de MÁX. 20 V*.
- ◆ Para usar el adaptador de 12 V CC o la batería de MÁX. 20 V*, pulse el interruptor de alimentación de CA/CC (1) situado en la parte delantera de la unidad hacia CC.
- ◆ Si usa el cable de 12 V CC, extiéndalo completamente antes de cada uso.
- ◆ Conecte el adaptador de 12 V de CC (14) en el enchufe del accesorio de 12 V CC de su vehículo.

Para usar el cable de CA de 230 V, pulse el interruptor de alimentación de CA/CC (1) situado en la parte delantera de la unidad hacia CA.

- ◆ Si usa el cable (13) de 230 V CA, extiéndalo completamente antes de cada uso.
- ◆ Conecte el enchufe (13) de 230 V CA en la toma de pared o en un cable prolongador de medida apropiada que esté enchufado a una toma de pared.

Encender el alto volumen

La manguera de alto volumen está prevista para ser usada con objetos que contienen grandes cantidades de aire, tales como colchones, botes inflables y flotadores.

Nota: El modo de alto volumen NO tiene una función de apagado.

- ◆ Conecte la manguera de alto volumen (7) a la conexión de inflado de la bomba de alto volumen (12), según se describe en la sección "Manguera de alto volumen".
- ◆ Inserte la manguera de alto volumen (7) o el inyector cónico (8) en el objeto que va a inflar.
- ◆ Pulse el lado de alto volumen del interruptor de modo de alimentación (2), indicado con el símbolo del colchón de aire.
- ◆ Para apagarlo, coloque el interruptor de alimentación en la posición central.

Encender la alta presión

La manguera de alta presión está prevista para usar con objetos que necesitan más presión de aire, tales como neumáticos y balones de baloncesto.

- ◆ Extraiga la manguera de alta presión (10) del compartimento de almacenamiento.
- ◆ Coloque un inyector como se describe en la sección "Adaptador de válvula universal".
- ◆ Inserte el inyector en el objeto que vaya a inflar.
- ◆ Pulse el lado de alta presión del interruptor de modo de alimentación (2) indicado con el símbolo del neumático.
- ◆ Para apagarlo, coloque el interruptor de alimentación en la posición central.

Desinflar usando la manguera de alto volumen (Fig. H)

Advertencia. Tenga cuidado con los objetos expulsados. Durante el desinflado salen grandes cantidades de aire de la conexión de inflado de la bomba de alto volumen (12). Compruebe que el adaptador de válvula universal no apunte hacia nada ni hacia nadie.

- ◆ Extraiga la manguera de alto volumen (7) del compartimento de almacenamiento.
- ◆ Alinee el extremo de la manguera (23) con la conexión de desinflado de la bomba de alto volumen (11). Después haga deslizar la manguera para que quede bien colocada en su lugar.
- ◆ Inserte la manguera o el inyector cónico (8) en el objeto que va a desinflar.
- ◆ Pulse el lado de alto volumen del interruptor de modo de alimentación (2), como se muestra en la figura G, indicado con el símbolo del colchón de aire.
- ◆ Para apagarlo, coloque el interruptor de alimentación en la posición central.
- ◆ Para extraer la manguera, gírela en sentido horario y deslicela hacia fuera.

Ajuste de la presión de apagado automático

Nota: El LCD mostrará las presiones de inflado solo cuando se usa el compresor de inflado.

En los modos de inflado y bomba, la unidad mostrará el estado de la batería.

- ◆ Para cambiar entre las distintas unidades (psi, bar o kPa), pulse el botón de modo de presión (5) hasta que aparezca la unidad deseada.
- ◆ Pulse los botones de ajuste de presión - o + (4) hasta que aparezca la presión exigida.
- ◆ Transcurridos 3 segundos la pantalla parpadeará y volverá a la lectura de "0.0". Esto es normal.
- ◆ Conecte el adaptador de válvula universal y los accesorios, si fuera necesario, al artículo que desea inflar, asegurándose de que la palanca del adaptador de válvula se encuentra hacia abajo y bloqueada.
- ◆ Para iniciar el inflador, pulse el interruptor de modo (2) hacia el lado del símbolo del neumático.
- ◆ Cuando el artículo que debía inflar haya alcanzado el valor preajustado, la unidad se apagará automáticamente. NOTA: Puede notar que la lectura de la presión real puede bajar después de un par de segundos. Esto es normal.
- ◆ Para parar el compresor de inflado en cualquier momento, pulse el botón de alimentación principal hacia atrás a la posición central.

Nota: Si el interruptor de alimentación de CA/CC está apagado, se perderán todos los ajustes y será necesario volverlos a ingresar. Esta es una función de seguridad para evitar el riesgo que los objetos se inflen excesivamente.

Uso del compresor de inflado como medidor de presión

- ◆ Conecte el adaptador de válvula universal (9) al artículo que va a comprobar.
- ◆ Pulse el interruptor de modo (2) hacia el símbolo del neumático.
- ◆ El LCD mostrará la presión del objeto.
- ◆ Después de comprobar la presión, vuelva a colocar el botón de modo (2) en la posición central y vuelva a colocar la manguera de aire en el alojamiento de almacenamiento.

Mantenimiento

Este aparato sin cable de BLACK+DECKER ha sido diseñado para funcionar durante un largo período de tiempo con un mantenimiento mínimo. El funcionamiento satisfactorio y continuo depende del buen cuidado de la herramienta y de una limpieza frecuente.

Advertencia. Antes de realizar el mantenimiento de aparatos sin cables:

- ◆ Deje que la batería se agote por completo si es integral y apague el aparato.
- ◆ Desenchufe el cargador antes de limpiarlo. El cargador no requiere ningún mantenimiento especial excepto la limpieza periódica.

- ◆ Limpie periódicamente las ranuras de ventilación del aparato y del cargador con un cepillo suave o un paño seco.
- ◆ Limpie periódicamente la carcasa del motor con un paño húmedo. No utilice limpiadores abrasivos o a base de disolventes.

Protección del medioambiente



Recogida selectiva. Los productos y las baterías marcadas con este símbolo no se deben eliminar con los residuos domésticos normales.

Los productos y las baterías que contienen materiales que se puedan recuperar o reciclar reducen la demanda de materias primas.

Recicle los productos eléctricos y las baterías de conformidad con la normativa local. Puede obtener más información en www.2helpU.com

Datos técnicos

	BDCINF18
Tensión	18V
Peso	2.0 Kg (sin incluir las baterías)
Clase	II

Batería*		BL1318
Tensión	V _{cc}	18
Capacidad	Ah	1.3
Tipo		iones de litio

Batería*		BL1518
Tensión	V _{cc}	18
Capacidad	Ah	1.5
Tipo		iones de litio

Batería*		BL2018
Tensión	V _{cc}	18
Capacidad	Ah	2.0
Tipo		iones de litio

Batería*		BL4018
Tensión	V _{cc}	18
Capacidad	Ah	4.0
Tipo		iones de litio

Batería*		BL1554
Tensión	V _{cc}	18
Capacidad	mAh	2500
Tipo		lones de litio

Batería*		BL2554
Tensión	V _{cc}	18
Capacidad	mAh	2500
Tipo		lones de litio

Batería alternativa Bluetooth*		BL1518ST	BL2018ST
Tensión	V _{cc}	18	18
Capacidad	Ah	1.5	2
Tipo		lones de litio	lones de litio

Cargador*		SSC-250040X
Voltaje de entrada	V _{CA}	230
Voltaje de salida	V _{CC}	8 - 20
Corriente	mA	400

* No suministrada con la unidad

Garantía

Black & Decker confía en la calidad de sus productos y ofrece a los consumidores una garantía de 24 meses a partir de la fecha de compra. Esta garantía es adicional a sus derechos legales y no los menoscaba en modo alguno. La garantía es válida dentro de los territorios de los Estados Miembros de la Unión Europea y del Área de Libre Comercio Europea.

Para reclamar la garantía, la reclamación se debe presentar de conformidad con las condiciones de Black & Decker. Tendrá que adjuntar un justificante de compra al vendedor o al agente técnico autorizado. Las condiciones de la garantía de 2 años de Black & Decker y la ubicación de su agente técnico autorizado más cercano se pueden obtener en Internet en www.2helpU.com o poniéndose en contacto con su oficina local de Black & Decker en la dirección que se indica en este manual.

Visite nuestro sitio web www.blackanddecker.co.uk para registrar su nuevo producto Black & Decker y recibir noticias sobre nuevos productos y ofertas especiales.

Utilização pretendida

A estação de enchimento BLACK+DECKER BDCINF18 foi concebida para ser utilizada sem fio ou, na maioria dos veículos, a partir da tomada de 12 V padrão para encher os pneus de automóveis e bicicletas, bolas, jangadas, colchões de ar, bóias de piscina, etc. Esta ferramenta foi concebida apenas por utilizadores.



Leia com atenção todo o manual antes de utilizar o aparelho.

Instruções de segurança



Atenção! Leia todos os avisos de segurança e todas as instruções. O não cumprimento dos seguintes avisos e instruções pode resultar em choque eléctrico, incêndio e/ou graves lesões.

- ◆ A utilização prevista para este aparelho está descrita no manual. A utilização de qualquer acessório ou a execução de qualquer operação com este aparelho que não esteja incluída no presente manual de instruções poderá representar um risco de ferimentos pessoais.
- ◆ Conserve este manual para referência futura.
- ◆ Este aparelho deve ser utilizado apenas com as baterias indicadas neste manual como fonte de alimentação sem fio.
- ◆ Se o cabo de alimentação estiver danificado, terá de ser substituído pelo fabricante, técnico de assistência ou por pessoas com as mesmas habilitações de modo a evitar situações de perigo.

Utilizar o aparelho

- ◆ Não utilize este aparelho para aspirar líquidos ou quaisquer materiais combustíveis.
- ◆ Não mergulhe o aparelho em água.
- ◆ Nunca puxe pelo cabo do carregador para desligar o carregador da tomada. Mantenha o cabo do carregador afastado do calor, combustíveis e extremidades afiadas.

Segurança de terceiros

- ◆ Esta ferramenta não deve ser utilizada por pessoas (incluindo crianças) que apresentem capacidades físicas, sensoriais ou mentais reduzidas ou que não possuam os conhecimentos e a experiência necessários, excepto se forem vigiadas e instruídas acerca da utilização da ferramenta por uma pessoa responsável pela sua segurança.
- ◆ As crianças deverão ser vigiadas para que não mexam no aparelho.

Inspeção e reparações

Antes da utilização, verifique a existência de peças danificadas ou avariadas no aparelho.

Verifique se há peças partidas, danos nos interruptores ou outro tipo de condições que possam afetar o seu funcionamento.

- ◆ Não utilize o aparelho se alguma das peças se encontrar danificada ou avariada.

- ◆ Mandar reparar ou substituir quaisquer peças danificadas ou avariadas por um agente de reparação autorizado.
- ◆ Verifique regularmente se existem danos no cabo do carregador. Substitua o carregador se o cabo estiver danificado ou com defeitos.
- ◆ Nunca tente retirar ou substituir quaisquer peças que não as especificadas neste manual.

Instruções de segurança adicionais

- ◆ Encha pneus de bicicletas, bolas, jangadas, bóias de piscina, colchões e muito mais dentro e fora de casa. O período máximo de funcionamento em contínuo recomendado a 65 psi é de 2 minutos ligado depois de ficar desligado durante 5 minutos.
- ◆ O ar comprimido da sua bomba de ar não é seguro para ser respirado. Nunca inale o ar da sua bomba de ar ou de um dispositivo de respiração ligado à bomba de ar.
- ◆ Demasiada pressão de ar pode causar rebentamento. Verifique o nível de pressão máxima do fabricante para objectos a encher.
- ◆ Esteja sempre perto da bomba de ar quando esta estiver em funcionamento. Poderá rebentar pneus ou outros itens.
- ◆ Antes de cada utilização e quando encher os pneus, use um manómetro para pneus para verificar a pressão dos pneus.

Verifique a etiqueta na parte lateral do pneu para saber qual é a pressão correcta dos pneus.

- ◆ Não modifique ou tente repará-lo. Nunca perfure, solde ou faça modificações na bomba de ar ou respectivos acessórios.
- ◆ Só deve utilizar os acessórios incluídos ou as peças de tratamento de ar que utilizem apenas 160 psi.
- ◆ A utilização de qualquer acessório não recomendado para a utilização com esta ferramenta poderá ser perigosa.
- ◆ Nunca brinque com este equipamento. A pressão de ar elevada é perigosa. Nunca direcione o fluxo do ar para si ou para os outros.

Atenção! Quando não estiver em utilização, deixe sempre a alavanca do adaptador da válvula aberta.

- ◆ A bomba de ar pode ficar quente durante a utilização. Deixe a bomba de ar arrefecer durante 30 minutos antes de a guardar.

Após a utilização

- ◆ Desligue o carregador antes de o limpar.
- ◆ Quando não estiver em utilização, o aparelho deve ser guardado num local seco.
- ◆ As crianças não devem ter acesso a aparelhos armazenados.

Riscos residuais

Podem surgir riscos residuais adicionais durante a utilização da ferramenta, que poderão não constar nos avisos de

segurança incluídos. Estes riscos podem resultar de má utilização, uso prolongado, etc.


Mesmo com o cumprimento dos regulamentos de segurança relevantes e a implementação de dispositivos de segurança, alguns riscos residuais não podem ser evitados. Estes incluem:

- ◆ Ferimentos causados pelo contacto com peças em rotação/movimento.
- ◆ Ferimentos causados durante a troca de peças, lâminas ou acessórios.
- ◆ Ferimentos causados pela utilização prolongada de uma ferramenta. Quando utilizar uma ferramenta durante períodos prolongados, certifique-se de que faz pausas regularmente.
- ◆ Danos auditivos.
- ◆ Problemas de saúde causados pela inalação de poeiras resultantes da utilização da ferramenta (exemplo: trabalhos em madeira, especialmente carvalho, faia e MDF).

Baterias

- ◆ Nunca tente abrir a bateria, seja qual for o motivo.
- ◆ Não exponha a bateria à água.
- ◆ Não armazene em locais onde a temperatura possa exceder os 40 °C.
- ◆ Carregue apenas a temperaturas ambiente entre 10 °C e 40 °C.
- ◆ Carregue apenas com o carregador fornecido com a ferramenta.
- ◆ Se for necessário armazenar o aparelho durante um período prolongado, deve retirar as baterias.

- ◆ Ao eliminar a bateria, siga as instruções indicadas na secção “Protecção do ambiente”.


 Não tente carregar baterias danificadas.


Carregadores


- ◆ Utilize o seu carregador BLACK+DECKER apenas para carregar a bateria da ferramenta com que foi fornecido. Outras baterias podem rebentar, provocando ferimentos e danos.
- ◆ Nunca tente carregar baterias não recarregáveis.
- ◆ Substitua os cabos defeituosos imediatamente.
- ◆ Não exponha o carregador à água.
- ◆ Não abra o carregador.
- ◆ Não manipule o interior do carregador.

Segurança eléctrica

Símbolos no carregador

 Leia cuidadosamente o manual completo antes de utilizar este aparelho.

 Esta ferramenta tem isolamento duplo. Por esse motivo, não precisa de ligação à terra. Verifique sempre se a tensão da tomada de electricidade corresponde à voltagem indicada na placa com os requisitos de alimentação da ferramenta.

 O carregador deverá ser utilizado apenas em espaços interiores.

Rótulos do aparelho

O aparelho apresenta os seguintes símbolos juntamente com o código de data.



Atenção! Para reduzir o risco de ferimentos, o utilizador deve ler o manual de instruções.



Não exponha o aparelho à chuva ou humidade elevada.



Antes de executar qualquer manutenção ou limpeza no aparelho, desligue o cabo de alimentação.



Não deixe a bomba de ar sem vigilância.



Dispositivo de classe II

Componentes

Esta ferramenta inclui algumas ou todas as características seguintes.

1. Interruptor de alimentação CA/CC
2. Interruptor de alimentação de modo
3. LCD
4. Botões de regulação da pressão
5. Modo de pressão/botão Repor
6. Punho
7. Mangueira de elevado volume
8. Bocal cónico
9. Adaptador de válvula universal
10. Mangueira de alta pressão
11. Ligação de esvaziamento da bomba de elevado volume
12. Ligação de enchimento da bomba de ar de elevado volume
13. Cabo CA de 230 V
14. Ficha de 12 V CC para veículo
15. Ranhura da bateria de 18 V MÁX.*
16. Válvula de enchimento da bomba de ar

- 17. Adaptador do acoplador de latão
- 18. Bocal cónico

Montagem

Armazenamento do cabo CC de 12 V

- ◆ Enrole o cabo de 12 V CC à volta da fixação de cabos na base da bomba de ar e encaixe a ficha de 12 V CC (14) no compartimento de armazenamento na fixação do cabo.

Compartimento da mangueira de ar

- ◆ A mangueira de alta pressão (10) está localizada num canal de armazenamento à volta da superfície da unidade. Envolve a mangueira de alta pressão no interior do canal.

Armazenamento da mangueira de elevado volume

- ◆ A mangueira de elevado volume (7) está localizada num canal de armazenamento à volta da parte de trás da unidade. Envolve a mangueira de elevado volume no interior do canal.

Compartimento de acessórios

- ◆ Os acessórios (16) (17) (18) estão armazenados na parte de trás da unidade no interior da área de armazenamento dos acessórios.

Montagem dos acessórios

Adaptador de válvula universal (Fig. A)

- ◆ A bomba de ar é fornecida com o bocal cónico padrão (18), um acoplador de latão (17) e a válvula de agulha da bomba de ar (16), localizada na parte de trás da unidade.
- ◆ Para utilizar o adaptador de válvula universal (9), certifique-se de que a alavanca se encontra para cima.
- ◆ Coloque o adaptador de válvula sobre a ponta da válvula de agulha da bomba de ar, do adaptador do acoplador de latão ou do bocal cónico.
- ◆ Pressione a alavanca (19) no adaptador de válvula universal para baixo para bloqueá-la.
- ◆ Coloque a válvula da agulha da bomba de ar, do adaptador do acoplador de latão ou o bocal cónico no equipamento a encher.

Nota: Certifique-se sempre de que a alavanca está para cima quando não está a ser utilizada. A bomba de ar apenas deverá ser colocada em funcionamento com o adaptador de válvulas universal ou com os bocais fornecidos.

Nota: Certifique-se de que o adaptador de válvulas universal está fixo antes de ligar a bomba de ar.

Mangueira de elevado volume (Fig. B)

- ◆ Retire o mangueira de elevado volume 7 do compartimento de armazenamento.

- ◆ Alinhe as ranhuras 20 da mangueira com as protuberâncias (21) da ligação de enchimento da bomba de elevado volume (12). Em seguida, faça deslizar a mangueira e rode-a para a esquerda para fixá-la.
- ◆ Para retirá-la, rode a mangueira para a direita e faça deslizar a mangueira para fora.

Nota: Muitas bombas de ar possuem uma patilha interna que evita a fuga de ar durante o enchimento, especialmente colchões. Se essa patilha não for deslocada pelo bocal, o insuflável de ar não será enchido. Introduza o bocal com firmeza na válvula para garantir que essa patilha é afastada.

Atenção! Risco de rotura. A pressão de ar excessiva pode originar um risco de rebentamento ou ferimentos. Verifique o nível de pressão máxima do fabricante para itens a encher.

Nota: Se o nível de pressão do item a encher for superior a 100 psi, tenha em atenção que o período máximo de funcionamento é de 10 minutos; deixe o aparelho em repouso durante 20 minutos antes de o utilizar novamente.

Funcionamento

Atenção! Para reduzir o risco de ferimentos graves, desligue a unidade, retire a respectiva ficha da tomada de electricidade e remova a bateria antes de efectuar quaisquer ajustes ou de retirar/instalar dispositivos complementares ou acessórios. Um arranque acidental pode causar ferimentos.

Atenção! Não coloque a bomba de ar em funcionamento quando o motor do veículo estiver ligado.

Nota: Certifique-se de que a ficha de acessórios de 12 Volts está activa.

Em alguns veículos, a ficha de acessórios pode apenas ficar activa quando a chave de ignição estiver na posição de acessórios.

Instalar e retirar a bateria (Fig. C, D)

Nota: Para obter os melhores resultados, certifique-se de que a bateria está totalmente carregada.

- ◆ Para instalar a bateria no respectivo compartimento (15), alinhe-a com as calhas no interior do compartimento e deslize-a para dentro da pega até a bateria ficar inserida com firmeza na ferramenta e certifique-se de que não se desencaixa.
- ◆ Para retirar a bateria da bateria, pressione o botão de libertação (22) e retire com firmeza a bateria da pega da ferramenta. Insira a bateria no carregador, tal como descrito na secção sobre o carregador neste manual.

Ligar (Fig. E, F)

Atenção! Risco de rotura. Esteja sempre perto da unidade quando esta estiver em funcionamento. O enchimento demasiado dos pneus e outros objectos pode resultar em ferimentos graves e danos materiais.

Nota: Quando é fornecida ao bomba de ar uma potência de 12 V, uma bateria de 20 V, ou 230 V CA, o visor LCD permanece ligado durante cerca de 10 minutos antes do visor se desligar/entrar no modo de suspensão.

Isto ocorre quando a unidade não está em funcionamento.

Para reactivar o sistema, o utilizador tem de premir o modo de pressão/botão Repor (5). Em seguida, o LCD é activado e a bomba de ar está pronto para ser utilizada.

- ◆ Antes de ligar a bomba de ar, decida que fonte de alimentação pretende utilizar: o adaptador de 12 V CC, ficha CA de 230 V ou uma bateria de 20 V MÁX.*.
- ◆ Para utilizar o adaptador de 12 V CC, ou a bateria de 20 V MÁX.*, pressione o interruptor de alimentação CA/CC (1) localizado na parte da frente da unidade para a posição CC.
- ◆ Se utilizar o cabo de 12 V CC, estique sempre por completo o cabo de 12 V CC antes de cada utilização.
- ◆ Ligue o adaptador de 12 V CC 14 na tomada de acessórios de 12 V CC do veículo.

Para utilizar o cabo de 230 V CA, pressione o interruptor CA/CC 1 localizado na parte da frente da unidade para a posição CA.

- ◆ Se utilizar o cabo CA de 230 V 13, estique sempre por completo o cabo antes de cada utilização.
 - ◆ Ligue a ficha CA de 230 V CA 13 numa tomada de parede ou uma extensão de tamanho adequado que esteja ligada a uma tomada de parede.

Para activar o volume elevado

A mangueira de elevado volume foi concebida para ser utilizada com objectos com capacidade para suportar grandes quantidades de ar, como colchões de ar, jangadas e bóias de piscina.

Nota: O modo de elevado volume NÃO inclui uma funcionalidade de desactivação automática.

- ◆ Fixe a mangueira de elevado volume (7) na ligação de enchimento da bomba de ar de elevado volume (12), como descrito na secção "Mangueira de elevado volume".
- ◆ Insira a mangueira de elevado volume (7) ou o bocal cónico (8) no objecto que pretende encher.
- ◆ Pressione o lado de elevado volume do interruptor de alimentação de modo (2), indicado pelo símbolo de colchão de ar.
- ◆ Para desligar, empurre o interruptor de alimentação para a posição de desligado.

Para activar a alta pressão

A mangueira de alta pressão foi concebida para ser utilizada para objectos que necessitam de mais pressão do ar, como pneus e bolas de basquetebol.

- ◆ Retire a mangueira de alta pressão (10) do compartimento de armazenamento.

- ◆ Fixe um bocal, como descrito na secção "Adaptador de válvula universal".
- ◆ Insira o bocal no objecto que pretende encher.
- ◆ Pressione o lado de alta pressão do interruptor de alimentação de modo (2), indicado pelo símbolo de pneu.
- ◆ Para desligar, empurre o interruptor de alimentação para a posição de desligado.

Esvaziar com a mangueira de elevado volume (Fig. H)

Atenção! Tenha cuidado com os objectos que são projectados. Quando esvaziar, sai uma grande quantidade de ar pela ligação de enchimento da bomba de elevado volume (12). Certifique-se de que não aponta o adaptador da válvula universal para qualquer pessoa ou para qualquer objecto.

- ◆ Retire o tubo de elevado volume (7) do compartimento de armazenamento.
- ◆ Alinhe a extremidade da mangueira (23) com a ligação de esvaziamento da bomba de elevado volume (11). Em seguida, insira com firmeza a mangueira para fixá-la no respectivo local.
- ◆ Insira a mangueira ou o bocal cónico (8) no objecto que pretende esvaziar.
- ◆ Pressione o lado de elevado volume do interruptor de alimentação de modo (2), como indicado na Figura G, indicado pelo símbolo de colchão de ar.
- ◆ Para desligar, empurre o interruptor de alimentação para a posição de desligado.
- ◆ Para retirar a mangueira, rode-a para a direita e faça deslizar a mangueira para fora.

Definir a pressão de desactivação automática

Nota: O LCD mostra apenas as pressões de enchimento quando a bomba de ar estiver a ser utilizada. No modo de enchimento e de bomba, a unidade mostra o estado da bateria.

- ◆ Para alternar entre as várias unidades (psi, bar ou kPa), pressione o botão do modo de pressão (5), até que as unidades pretendidas sejam apresentadas.
- ◆ Pressione os botões de definição de pressão - ou + (4) até atingir a pressão necessária.
- ◆ Ao fim de 3 segundos, o visor começa a piscar e apresenta de novo o valor de "0,0". Isto é normal.
- ◆ Ligue o adaptador de válvula universal e os acessórios, se necessários, ao item a encher, certificando-se de que a alavanca do adaptador de válvula se encontra para baixo de modo a bloqueá-la.
- ◆ Para iniciar a bomba de ar, pressione o interruptor de alimentação de modo (2) na direcção da parte lateral do símbolo de pneu.
- ◆ Quando o item a encher atingir o valor predefinido, a unidade desligar-se-á automaticamente. **NOTA:** O valor de pressão real pode diminuir após alguns segundos. Isto é normal.

- ◆ Para parar a bomba de ar em qualquer altura, coloque o botão de alimentação de novo na posição central.

Nota: Se o interruptor de alimentação CA/CC se desligar, todas as definições são perdidas e têm de ser introduzidas de novo. Isto é uma medida de segurança para evitar que os itens fiquem demasiado cheios.

Utilizar a bomba de ar como manómetro de pressão

- ◆ Ligue o adaptador de válvula universal (9) na peça que pretende verificar.
- ◆ Pressione o interruptor de alimentação de modo (2) na parte lateral do símbolo de pneu.
- ◆ O LCD apresenta a pressão do item.
- ◆ Depois de verificar, pressione o interruptor de alimentação de modo (2) para que volte para a posição central e volte a colocar a mangueria de ar no compartimento de armazenamento.

Manutenção

Este aparelho BLACK+DECKER sem fio foi concebido para funcionar durante um longo período de tempo com uma manutenção mínima. Uma utilização continuamente satisfatória depende de uma manutenção apropriada da ferramenta e de uma limpeza regular.

Atenção! Antes de executar qualquer manutenção em aparelhos sem fio:

- ◆ Deixe a bateria descarregar completamente se estiver incorporada e, em seguida, desligue-a.
- ◆ Desligue o carregador antes de o limpar. O seu carregador não necessita de manutenção para além da limpeza regular.
- ◆ Limpe regularmente as ranhuras de ventilação do aparelho/carregador com uma escova suave ou um pano seco.
- ◆ Limpe regularmente o compartimento do motor com um pano húmido. Não utilize produtos de limpeza abrasivos ou à base de dissolventes.

Proteção do ambiente



Faça uma recolha de lixo seletiva. Os produtos e as baterias assinaladas com este símbolo não devem ser eliminados juntamente com o lixo doméstico normal.

Os produtos e as baterias contêm materiais que podem ser recuperados ou reciclados, reduzindo assim a necessidade de matérias-primas.

Recicle os produtos eléctricos e as baterias de acordo com as disposições locais. Estão disponíveis mais informações em www.2helpU.com

Dados técnicos

BDCINF18	
Tensão	18 V
Peso	2,0 kg (sem a bateria)
Classe	II

Bateria*		BL1318
Tensão	V _{cc}	18
Capacidade	Ah	1,3
Tipo	lões de lítio	

Bateria*		BL1518
Tensão	V _{cc}	18
Capacidade	Ah	1,5
Tipo	lões de lítio	

Bateria*		BL2018
Tensão	V _{cc}	18
Capacidade	Ah	2,0
Tipo	lões de lítio	

Bateria*		BL4018
Tensão	V _{cc}	18
Capacidade	Ah	4,0
Tipo	lões de lítio	

Bateria*		BL1554
Tensão	V _{cc}	18
Capacidade	mAh	2500
Tipo	lões de lítio	

Bateria*		BL2554
Tensão	V _{cc}	18
Capacidade	mAh	2500
Tipo	lões de lítio	

Bateria Bluetooth alternativa*		BL1518ST	BL2018ST
Tensão	V _{cc}	18	18
Capacidade	Ah	1,5	2
Tipo	lões de lítio		lões de lítio

Carregador*		SSC-250040X
Tensão de entrada	V _{AC}	230
Voltagem de saída	V _{CC}	8 - 20
Corrente	mA	400

* Não fornecida com a unidade

Garantia

A Black & Decker confia na qualidade dos seus produtos e oferece aos clientes uma garantia de 24 meses a partir da data de compra. Esta garantia é um complemento dos seus direitos estabelecidos por lei, não os prejudicando de forma alguma. A garantia é válida nos Estados-membros da União Europeia e nos países-membros da Zona Europeia de Comércio Livre.

Para accionar a garantia, esta deve estar em conformidade com os termos e condições da Black & Decker e terá de apresentar comprovativos de compra ao vendedor ou a um agente de reparação autorizado. Os termos e condições da garantia de 2 anos da Black & Decker e a localização do agente de reparação autorizado mais próximo podem ser obtidos na Internet em www.2helpU.com ou contactando uma filial da Black & Decker, cuja morada está indicada neste manual.

Visite o nosso Website www.blackanddecker.co.uk para registar o novo produto Black & Decker e manter-se atualizado relativamente a novos produtos e ofertas especiais.

Avsedd användning

BLACK+DECKER BDCINF18 pumpningsstation har designats för att användas trådlöst eller i de flesta fordon med standard 12-voltsuttag för att pumpa bil- och cykeldäck, bollar, flottar, luftmadrasser, badleksaker etc. Denna apparat är endast avsedd för konsumentbruk.



Läs hela den här bruksanvisningen noggrant innan du börjar använda apparaten.

Säkerhetsinstruktioner



Varning! Läs alla säkerhetsvarningar och instruktioner.

Fel som uppstår till följd av att varningarna och instruktionerna som listas nedan inte följts kan orsaka elstötar, brand och/eller allvarliga kroppsskador.

- ◆ Avsedd användning beskrivs i den här bruksanvisningen. Använd inte apparaten med andra tillbehör eller tillsatser än de som rekommenderas i den här bruksanvisningen eftersom detta kan leda till personskador.
- ◆ Spara den här bruksanvisningen för framtida bruk.
- ◆ Denna apparat skall endast användas med det batteripaket som listas i manualer som sladdlös ström.
- ◆ Om nätsladden är skadad, måste den för att undvika risker, bytas ut av tillverkaren, tillverkarens serviceombud eller av person med likartad kompetens.

Använda apparaten

- ◆ Använd inte apparaten för att suga upp vätskor eller material som kan fatta eld.

- ◆ Doppa aldrig ned apparaten i vatten.
- ◆ Dra aldrig i sladden till laddaren när du drar ut den från vägguttaget. Håll sladden till laddaren borta från värme, olja och vassa kanter.

Andras säkerhet

- ◆ Verktyget ska inte användas av personer (inklusive barn) med nedsatt fysisk eller mental förmåga eller bristande erfarenhet och kunskap om de inte får vägledning och övervakas av en person som ansvarar för deras säkerhet.
- ◆ Barn bör övervakas för att garantera att de inte leker med apparaten.

Kontroll och reparationer

Kontrollera att apparaten inte är skadad eller har defekta delar.

Kontrollera att inga delar är trasiga, att strömbrytaren fungerar och att inget annat föreligger som kan påverka dess funktion.

- ◆ Använd inte apparaten om någon del har skadats eller gått sönder.
- ◆ Reparera eller byt ut skadade eller trasiga delar på en auktoriserad verkstad.
- ◆ Kontrollera regelbundet att sladden till laddaren inte har skadats. Byt ut laddaren om sladden är skadad eller trasig.
- ◆ Försök aldrig avlägsna eller byta ut andra delar än de som anges i den här bruksanvisningen.

Ytterligare säkerhetsinstruktioner

- ◆ För pumpning av cykeldäck, bollar, flottar, badleksaker, luftmadrasser med mera i och i anslutning till hemmet. Rekommenderad maximal kontinuerlig användning vid 65 psi under två minuters påslagning och fem minuters avstängning.
- ◆ Tryckluften från luftpumpen kan vara farlig att inandas. Andas aldrig in luft från luftpumpen eller från en andningsanordning som är ansluten till luftpumpen.
- ◆ Ett för högt lufttryck kan medför fara. Det pumpade föremålet kan explodera. Ta reda på det av tillverkaren rekommenderade maxtrycket för det föremål du ska pumpa.
- ◆ Lämna aldrig luftpumpen påslagen oövervakad. Det kan leda till att däck och andra föremål exploderar.
- ◆ Använd en lufttrycksmätare för att kontrollera däcktrycket före varje användning och under pumpning av däck; se däckets sida för korrekt däcktryck.
- ◆ Gör inga förändringar på pumpen och försök inte reparera den. Borra eller svetsa inte på pumpen eller dess tillbehör och gör inga förändringar av pumpen eller dess tillbehör.
- ◆ Använd endast med de medföljande tillbehören eller lufthanteringsdelar som inte accepterar mindre än 160 psi.

- ◆ Det kan vara farligt att använda tillbehör som inte är rekommenderade för användning med denna pump.
- ◆ Inget "spexande." Tryckluft är farlig. Rikta inte luftstrålen mot dig själv eller någon annan.

Varning! Lämna alltid ventiladapterspaketen öppna när den inte används.

- ◆ Luftpumpen kan bli varm under användning. Låt den svalna under 30 minuter innan du ställer undan den.

Efter användning

- ◆ Dra ur sladden till laddaren innan rengöring.
- ◆ När apparaten inte används ska den förvaras på en torr plats.
- ◆ Placera redskapet på ett ställe där barn inte kan komma åt det.

Återstående risker

Ytterligare risker som inte finns med i de bifogade säkerhetsanvisningarna kan uppstå när verktyget används.

Dessa risker kan uppstå vid felaktig eller långvarig användning, etc. Även om alla relevanta säkerhetsanvisningar följs och säkerhetsanordningar används kan vissa ytterligare risker inte undvikas. Dessa omfattar:

- ◆ Skador orsakade av att roterande/rörliga delar vidrörs.
- ◆ Skador som uppstår vid byte av delar, blad eller tillbehör.
- ◆ Skador som orsakas av långvarig användning av ett verktyg. Se till att regelbundet ta vilopauser när du använder ett verktyg under en längre period.

- ◆ Hörselnedsättning.
- ◆ Hälsorisker orsakade av inandning av damm när redskapet används (exempel: arbete med trä, särskilt ek, bok och MDF)

Batterier

- ◆ Försök aldrig öppna batteriet.
- ◆ Utsätt inte batteriet för vatten.
- ◆ Förvara inte på platser där temperaturen kan bli högre än 40 °C.
- ◆ Ladda endast vid temperaturer mellan 10 °C och 40 °C.
- ◆ Ladda endast med hjälp av laddare som medföljer verktyget.
- ◆ Om apparaten skall förvaras oanvänd under en längre period skall batterierna tas bort.
- ◆ Följ instruktionerna som anges i avsnittet "Miljö" när du kastar batterierna.




Försök inte ladda skadade batterier.


Laddare


- ◆ Använd endast laddaren från BLACK+DECKER för att ladda batteriet i det redskap som laddaren levererades med. Andra batterier kan spricka och orsaka personskador och andra skador.
- ◆ Försök aldrig ladda batterier som inte är uppladdningsbara.
- ◆ Byt defekta sladdar omgående.
- ◆ Utsätt inte laddaren för vatten.
- ◆ Öppna inte laddaren.
- ◆ Gör ingen åverkan på laddaren.

Elsäkerhet

Symboler på laddaren

 Läs hela den här bruksanvisningen noggrant innan du använder apparaten.

 Detta verktyg är dubbelt isolerat och därför krävs ingen jordledning. Kontrollera alltid att spänningen på nätet motsvarar den spänning som finns angiven på märkplåten.

 Laddaren är endast avsedd för inomhusbruk.

Etiketter på apparaten

Följande symboler finns på denna apparat tillsammans med datumkoden.



Varning! Läs bruksanvisningen före användning för att minska risken för personskador.



Utsätt inte apparaten för regn eller hög luftfuktighet.



Dra ut elsladden ur eluttaget innan du utför underhåll på eller rengör apparaten.



Lämna aldrig luftpumpen oövervakad.



Klass II apparat

Funktioner

Detta verktyg har några eller samtliga av följande funktioner.

1. Strömomkopplare AC/DC
2. Lågesströmbrytare

3. LCD
4. Tryckinställningsknappar
5. Tryckläge/återställningsknapp
6. Handtag
7. Högvolymslang
8. Konformigt munstycke
9. Universalventiladapter
10. Högtrycksslang
11. Högvolympump lufttömningsanslutning
12. Högvolympump luftpumpanslutning
13. 230V strömsladd
14. 12V DC fordonskontakt
15. 18V MAX* batteriöppning
16. Pumpnälsventil
17. Mässingskopplingsadapter
18. Konformigt munstycke

Montering

12V DC sladdförvaring

- ◆ Linda 12V DC-sladden runt sladdhållaren som är placerad i basen på pumpen och snäpp fast 12V DC kontakten (14) i dess förvaringsplats på sladdhållaren.

Luftslangsförvaring

- ◆ Högtrycksslängen (10) är placerad i förvaringskanalen runt fronten på enheten. Linda högtrycksslängen inuti kanalen.

Högvolymslang förvaring

- ◆ Högvolymslangen (7) är placerad i förvaringskanalen runt baksidan på enheten. Linda högvolymslangen inuti kanalen.

Tillbehörsförvaring

- ◆ Tillbehören (16) (17) (18) förvaras på baksidan av enhetens inuti området för tillbehörsförvaring.

Montera tillbehören

Universalventiladapter (bild A)

- ◆ Din pump är försedd med konformigt standardmunstycke (18), en mässingskoppling (17) och pumpnälsventilen (16) placerad på baksidan av enheten.
- ◆ För att använda universalventiladaptern (9), se till att universalventilspaken är i läget uppåt.
- ◆ Placera ventiladaptern över stammen på pumpnälsventilen eller det konformade munstycket.
- ◆ Tryck ner spaken (19) på universalventiladaptern för att låsa den på plats.
- ◆ För in det pumpnälsventilen mässingskopplingsadaptern eller konformade munstycket i det föremål som ska pumpas upp.

Notera: Se till att spaken pekar uppåt när den inte används.

Använd endast luftpumpen med universalventiladaptern eller de medföljande munstyckena.

Notera: Se till att universalventiladaptern sitter fast låst på plats innan du slår på pumpen.

Högvolymslang (bild B)

- ◆ Ta ut högvolymslangen (7) ur förvaringsutrymmet.
- ◆ Rikta in skärorna (20) på slangen mot räfflorna (21) på högvolympumpens anslutning (12). Skjut sedan på slangen och vrid moturs för att fästa.
- ◆ För att ta bort, vrid slangen medurs och låt slangen glida av.

Notera: Många uppblåsbara föremål har en inre spärr som hindrar att luft tränger ut under pumpning, särskilt luftmadrasser. Munstycket måste trycka undan denna spärr för att det ska gå att pumpa det uppblåsbara föremålet. Tryck in munstycket ordentligt i ventilen, så att denna spärr säkert trycks undan.

Varning! Risk för bristning. För högt lufttryck kan medföra en risk att föremålet exploderar eller orsakar personskador. Ta reda på det av tillverkaren rekommenderade maxtrycket för det föremål du ska pumpa.

Notera: Observera att maximal drifttid är 10 minuter om trycket för det föremål som ska pumpas upp är högre än 100 psi. Låt sedan luftpumpen vila i 20 minuter innan den används igen.

Drift

Varning! För att minska risken för allvarlig personskada, stäng av enheten och koppla bort den från strömkällan och ta bort batteripaketet innan du justerar eller tar bort/installerar några tillsatser eller tillbehör. En oavsiktlig start kan orsaka skador.

Varning! Använd inte luftpumpen medan bilens motor är i gång.

Notera: Se till att 12 voltstillbehörsuttaget fungerar.

På en del bilar måste nyckeln befinna sig i tillbehörslåget (ACC) för att uttaget ska fungera.

Montering och borttagning av batteripaketet (bild C, D)

Notera: För bästa resultat se till att batteripaketet är fulladdat.

- ◆ För att installera batteripaketet i batteriuttaget (15) rikta in batteripaketet mot skenorna på insidan av batteriuttaget och skjut in det i handtaget tills batteripaketet sitter fast i verktyget och se till att det inte lossnar.
- ◆ För att ta bort batteripaketet från verktyget, tryck på låsknappen (22) och dra med ett fast grepp batteripaketet ut ur verktygshandtaget. Sätt i det i laddaren på det sätt som det beskrivs i laddningsavsnittet i denna manual.

Slå på (bild E, F)

Varning! Risk för bristning. Lämna aldrig enheten påslagen oövervakad. Överpumpning av däck eller andra föremål kan resultera i allvarlig skada och egendomsskador.

Notera: När strömförsörjningen till pumpen är 12V, 20V batteri eller 230V AC kommer LCD-displayen att vara påslagen i ungefär 10 minuter innan displayen stängs av/går in i viloläge.

Detta sker när enheten inte arbetar.

För att väcka systemet behöver användaren trycka på läges-/återställningsknappen (5). Vid denna tidpunkt kommer LCD att slås på och pumpen är klar att användas.

- ◆ Innan pumpen slås på, bestäm vilken strömkälla du vill använda; 12V DC adapter, 230V AC-kontakt eller ett 20V MAX* batteripaket.
- ◆ För att använda 12V DC adaptern eller 20V MAX* batteripaketet tryck AC/DC strömbrytaren (1) som är placerad på framsidan av enheten till DC.
- ◆ Om 12V DC-sladd används, dra alltid ut hela 12V DC-sladden innan varje användning.
- ◆ Anslut 12V DC-adaptern (14) i fordonets 12V DC tillbehörsuttag.

För att använda 230V AC-sladden tryck AC/DC strömbrytaren (1) som är placerad på framsidan av enheten till AC.

- ◆ Om 230V DC-sladd (13) används, dra alltid ut hela sladden innan varje användning.
- ◆ Anslut 230V AC-kontakten (13) i antingen ett vägguttag eller till en lämpligt anpassad förlängningsladd som är ansluten till ett vägguttag.

Slå på högvolym

Högvolymslangen är avsedd att användas för föremål som innehåller stora mängder luft, såsom luftmadrasser, flottar och badleksaker.

Notera: Högvolymlåget har INGEN automatisk avstängningsfunktion.

- ◆ Fäst högvolymslangen (7) på högvolympumpens pumpanslutningen (12) såsom beskrivs i sektionen "Högvolymslang".
- ◆ Sätt in högvolymslangen (7) eller dess konformade munstycket (8) i föremålet som skall pumpas.
- ◆ Tryck på högvolymsidan av lägesströmbrytaren (2), indikeras av luftmadrasssymbolen.
- ◆ För att stänga av, skjut strömbrytaren till mittenpositionen.

Slå på högtryck

Högtrycksslangen är avsedd att användas för föremål som behöver mer lufttryck, såsom däck och basketbollar.

- ◆ Ta ut högtrycksslangen (10) ur förvaringsutrymmet.
- ◆ Fäst munstycket såsom beskrivs i sektionen "Universalventiladapter".
- ◆ Sätt in munstycket i föremålet som skall pumpas.
- ◆ Tryck på högtryckssidan av lägesströmbrytaren (2), indikeras av däcksymbolen.
- ◆ För att stänga av, skjut strömbrytaren till mittenpositionen.

Släppa ut luft med högvolumslangen (bild H)

Varning! Se upp med föremål som sprutar ut. Vid utsläpp av luft kommer stora mängder med luft att komma ut från högvolumspumpens pumpanslutning (12). Se till att universaladaptorn inte pekar på någon eller mot något.

- ◆ Ta ut pumpslangen (7) ur förvaringsutrymmet.
- ◆ Rikta in slanggändan (23) mot högvolumspumpens tömning-sanslutning (11). Sedan med ett fast grepp glid in slangen så att den sitter ordentligt på plats.
- ◆ Sätt in slangen eller dess konformerade munstycket (8) i föremålet som skall pumpas.
- ◆ Tryck på högvolumsidan av lägesströmbrytaren (2), såsom visas i bild G, indikeras av luftmadrasssymbolen.
- ◆ För att stänga av, skjut strömbrytaren till mittenpositionen.
- ◆ För att ta bort slangen, vrid slangen medurs och låt slangen glida av.

Inställning av automatisk avstängning av trycket

Notera: LCD kommer endast att visa pumstryck när pumpen används. Vid både pumpning och pumpläge kommer enheten att visa batteristatusen.

- ◆ Du kan växla mellan de olika enheterna (psi, bar eller kPa), tryck på trycklägesknappen (5) tills önskad enhet visas.
- ◆ Tryck på - eller + tryckinställningsknapparna (4) tills önskat tryck visas.
- ◆ Efter 3 sekunder blinkar displayen och återgår till att visa "0.0". Detta är normalt.
- ◆ Koppla universalventiladaptorn och nödvändiga tillbehör till föremålet som ska pumpas upp. Kontrollera att spaken på ventiladaptorn är i nedåtläge för att låsa fast den.
- ◆ För att starta pumpen, tryck på lägeshuvudströmbrytaren (2) mot sidan med däcksymbolen.
- ◆ När föremålet som ska pumpas uppnår det förinställda värdet stängs enheten av automatiskt. NOTERA: Du kan märka att det verkliga trycket sjunker efter några sekunder. Detta är normalt.
- ◆ För att när som helst stoppa pumpningen, tryck huvudströmbrytaren till mittenpositionen.

Notera: Om AC/DC-strömbrytaren stängs av kommer alla inställningar att förloras och kommer att behöva matas in igen. Detta är en säkerhetsfunktion som förhindrar risken att föremål pumpas för hårt.

Använda luftpumpen som tryckmätare

- ◆ Anslut universalventiladaptorn (9) till föremålet som skall kontrolleras.
- ◆ Tryck på huvudströmbrytaren (2) på sidan med däcksymbolen.
- ◆ LCD kommer att visa föremålets tryck.
- ◆ Efter kontrollen, tryck tillbaka lägesströmbrytaren (2) till mittenpositionen och sätt tillbaka luftslangen in i förvaringsutrymmet.

Underhåll

Den här sladdlösa BLACK+DECKER-apparaten har konstruerats för att fungera under lång tid med minsta möjliga underhåll. Kontinuerlig tillfredsställande drift beror på ordentlig verktygsvård och regelbunden rengöring.

Varning! Innan du utför underhåll på apparater utan sladd:

- ◆ Om batteriet är inbyggt låter du det laddas ur helt innan avstängningen.
- ◆ Dra ur sladden till laddaren innan du rengör den. Laddaren behöver inget annat underhåll än regelbunden rengöring.
- ◆ Rengör regelbundet apparatens/laddarens luftintag med en mjuk borste eller torr trasa.
- ◆ Rengör motorhöljet regelbundet med en fuktig trasa. Använd aldrig något slipande eller lösningsmedelsbaserat rengöringsmedel.

Skydda miljön



Separat insamling. Produkter och batterier som är markerade med denna symbol får inte kastas i de vanliga hushållssoporna.

Produkter och batterier innehåller material som kan återanvändas eller återvinnas för att minska behovet av råmaterial. Återvinn elektriska produkter och batterier enligt lokala bestämmelser. Närmare information finns tillgänglig på www.2helpU.com

Tekniska data

		BDCINF18
Spänning		18V
Vikt		2,0 Kg (exklusive batteri)
Klass		II

Batteri*	BL1318	
Spänning	V_{dc}	18
Kapacitet	Ah	1,3
Typ	Li-jon	

Batteri*	BL1518	
Spänning	V_{dc}	18
Kapacitet	Ah	1,5
Typ	Li-jon	

Batteri*	BL2018	
Spänning	V_{dc}	18
Kapacitet	Ah	2,0
Typ	Li-jon	

Batteri*		BL4018
Spänning	V_{dc}	18
Kapacitet	Ah	4,0
Typ		Li-jon

Batteri*		BL1554
Spänning	V_{dc}	18
Kapacitet	mAh	2500
Typ		Li-jon

Batteri*		BL2554
Spänning	V_{dc}	18
Kapacitet	mAh	2500
Typ		Li-jon

Alternativt Blue-tooth batteripaket*	BL1518ST	BL2018ST	
Spänning	V_{dc}	18	18
Kapacitet	Ah	1,5	2
Typ	Li-jon		Li-jon

Laddare*		SSC-250040X
Inspänning	V_{AC}	230
Utspänning	V_{DC}	8 - 20
Strömstyrke	mA	400

* Medfølger inte med enheten

Garanti

Black & Decker är säker på kvaliteten hos denna produkt och erbjuder kunder 24 månaders garanti från inköpsdatumet. Garantin gäller utöver konsumentens rättigheter enligt lag och påverkar inte dessa. Garantin är giltig i de områden som tillhör medlemsstaterna i Europeiska unionen och det europeiska frihandelsområdet.

För yrkande under garantin måste yrkandet vara i enlighet med Black & Deckers villkor och du kommer att behöva skicka in bevis på köpet till försäljaren eller en auktoriserad reparatör. Villkoren för Black & Deckers tvååriga garanti och var du hittar din närmaste auktoriserade reparatör kan erhållas på internet på www.2helpU.com, eller genom att kontakta ditt lokala Black & Decker kontor på adressen som angetts i denna bruksanvisning.

Besök vår webbplats www.blackanddecker.se för att registrera din nya Black & Decker-produkt samt för att få information om nya produkter och specialerbjudanden.

Tiltenkt bruk

Din BLACK+DECKER BDCINF18 luftpumpe er designet for trådløs bruk eller i de fleste kjøretøy med strøm fra standard 12 volt kontakt, for å blåse opp bildekk, baller, flåter, luftmatrasser, badematrasser og lignende. Dette apparatet er kun ment for privat bruk.



Les hele denne håndboken nøye før du bruker apparatet.

Sikkerhetsinstruksjoner



Advarsel! Les alle sikkerhetsadvarsler og alle instruksjoner. Hvis advarslene og anvisningene nedenfor ikke overholdes, kan det medføre elektrisk støt, brann og/eller alvorlige personskader.

- ◆ Beregnet bruk er beskrevet i denne håndboken. Hvis du bruker annet tilbehør, kobler til annet utstyr eller bruker dette apparatet til andre oppgaver enn det som er anbefalt i denne håndboken, kan det føre til fare for personskade.
- ◆ Ta vare på denne håndboken for fremtidig bruk.
- ◆ Dette apparatet skal kun brukes trådløs med batteripakkene som er angitt i manualen.
- ◆ Hvis strømledningen blir skadet, må den byttes av produsenten eller et autorisert servicesenter eller tilsvarende kvalifisert person for å unngå fare.

Bruke produktet

- ◆ Ikke bruk apparatet til å suge opp væske eller materialer som kan ta fyr.

- ◆ Ikke senk produktet ned i vann.
- ◆ Ikke dra i ledningen når du skal fjerne laderen fra stikkontakten. Hold ledningen til laderen borte fra varmekilder, olje og skarpe kanter.

Andre personers sikkerhet

- ◆ Det er ikke meningen at dette verktøyet skal brukes av personer (inkludert barn) med reduserte fysiske, sansemessige eller mentale evner, eller personer som mangler erfaring og kunnskap, med mindre de har fått oppfølging eller instruksjoner for bruken av verktøyet fra en person som er ansvarlig for deres sikkerhet.
- ◆ Barn må holdes under oppsyn, sørg for at de ikke leker med apparatet.

Kontroll og reparasjon

Kontroller at apparatet ikke er skadet eller har defekte deler før du bruker det. Undersøk om brytere eller andre deler er skadet, eller om det er andre forhold som kan påvirke bruken.

- ◆ Ikke bruk apparatet hvis en del er skadet eller defekt.
- ◆ Overlat reparasjon eller utskifting av skadde eller defekte deler til et autorisert serviceverksted.
- ◆ Kontroller jevnlig om ledningen til laderen er skadet. Skift ut laderen hvis ledningen er skadet eller defekt.
- ◆ Forsøk aldri å fjerne eller bytte ut andre deler enn delene som er oppgitt i denne håndboken.

Ytterligere sikkerhetsinstruksjoner

- ◆ Blåser opp sykkeldekk, baller, flåter, bademadrasser, luftmadrasser og annet i og ved hjemmet. Anbefalt maks kontinuerlig bruk ved 65 psi er 2 minutter med 5 minutter av.
- ◆ Det er ikke trygt å puste inn den komprimerte luften fra luftpumpen. Pust aldri inn luft fra luftpumpen eller fra pusteutstyr som er koblet til luftpumpen.
- ◆ For høyt lufttrykk forårsaker farlig risiko for sprengning. Kontroller produsentens normerte maksimumstrykk for objekter du blåser opp.
- ◆ Ikke la luftpumpen gå uten tilsyn. Dekk eller andre gjenstander kan eksplodere.
- ◆ Bruk en trykkmåler for å sjekke dekktrykket før hver bruk og ved oppblåsing av dekk, se på siden av dekket for korrekt dekktrykk.
- ◆ Ikke endre den, og ikke forsøk å reparere den. Du må aldri bore inn i, sveise eller gjøre noen endringer på luftpumpen eller tilbehøret.
- ◆ Brukes kun med det medfølgende tilbehør eller luftbehandlingsutstyr som er godkjent for ikke mindre enn 160 psi.
- ◆ Bruk av tilbehør som ikke er anbefalt for bruk sammen med dette verktøyet, kan være farlig.
- ◆ Ikke tull eller lek med apparatet.* Luft med høyt trykk er farlig.

Ikke rett luftstrømmen mot deg selv eller andre.

Advarsel! La alltid ventiladapterspaken være åpen når enheten ikke er i bruk.

- ♦ Luftpumpen kan bli varm under bruk. La luftpumpen kjøle i 30 minutter før du setter den bort.

Etter bruk

- ♦ Trekk ut kontakten fra laderen før rengjøring.
- ♦ Når det ikke er i bruk, skal apparatet oppbevares på et tørt sted.
- ♦ Barn skal ikke ha tilgang til apparater som oppbevares.

Restrisikoer

Når verktøyet brukes, kan det oppstå ytterligere risikoer som kanskje ikke er beskrevet i de medfølgende sikkerhetsadvarslene. Disse risikoene kan bli forårsaket av feil bruk, langvarig bruk osv. Selv om de relevante sikkerhetsbestemmelsene blir fulgt, og sikkerhetstiltakene blir gjennomført, kan visse gjenværende risikoer ikke unngås. Disse inkluderer:

- ♦ Personskader som forårsakes av berøring av en roterende/bevegelig del.
- ♦ Personskader som forårsakes av at en del, et blad eller tilbehør endres.
- ♦ Personskader som forårsakes av langvarig bruk av et verktøy. Når du bruker et verktøy i lange perioder, må du sørge for å ta regelmessige pauser.
- ♦ Hørselskader.

- ♦ Helsefarer som skyldes innånding av støv som dannes når du bruker verktøyet (for eksempel under arbeid med tre, spesielt eik, bøk og MDF.)

Batterier

- ♦ Forsøk aldri å åpne av noen årsak.
- ♦ Ikke utsett batteriet for vann.
- ♦ Ikke oppbevar det på steder hvor temperaturen kan komme over 40 °C.
- ♦ Skal bare lades ved omgivelsestemperaturer mellom 10 °C og 40 °C.
- ♦ Bruk bare laderen som følger med apparatet.
- ♦ Hvis apparatet skal lagres ubrukt over lengre perioder, skal batteriene fjernes.
- ♦ Følg instruksene som finnes i avsnittet "Miljø" når du skal kaste batterier.




Ikke forsøk å lade opp skadede batterier.


Ladere


- ♦ Bruk bare BLACK+DECKER-laderen til å lade batteriet i apparatet som laderen ble levert sammen med. Andre batterier kan sprekke og føre til personskade og materiell skade.
- ♦ Prøv aldri å lade ikke-oppladbare batterier.
- ♦ Skift ut defekte ledninger umiddelbart.
- ♦ Ikke utsett laderen for vann.
- ♦ Ikke åpne laderen.
- ♦ Ikke stikk gjenstander eller fingre inn i laderen.

Elektrisk sikkerhet

Symboler på laderen

 Les hele denne håndboken nøye før du bruker produktet.

 Dette verktøyet er dobbeltisolert. Jording er derfor ikke nødvendig. Kontroller alltid at strømforsyningen samsvarer med spenningen på merkeskiltet.

 Laderen er kun ment for innendørs bruk.

Produktmerking

De følgende symbolene vises på dette apparatet sammen med datokoden.



Advarsel! Brukeren må lese håndboken for å redusere risikoen for personskade.



Ikke utsett maskinen for regn eller høy fuktighet.



Før du utfører vedlikehold på eller rengjøring av apparatet, må du koble fra strømfledningen.



Ikke forlat luftpumpen uten tilsyn.



Klasse II utstyr

Funksjoner

Dette verktøyet har noen av eller alle følgende egenskaper.

1. AC/DC strømbryter
2. Modus-strømbryter
3. LCD
4. Trykkinnstillingsknapper

5. Trykkmodus/reset-knapp
6. Håndtak
7. Høyvolumslange
8. Konisk dyse
9. Universal ventiladapter
10. Høytrykkslange
11. Tilkobling høyvolum pumpe avtapping
12. Tilkobling høyvolum pumpe oppblåsing
13. 230V strømkabel
14. 12 V likestrøm bilstøpsel
15. 18V MAX* batterispor
16. Nåleventil oppblåsing
17. Messingkoblings-adapter
18. Konisk dyse

Montering

12V DC kabelholder

- ◆ Vikle 12V strømkabelen rundt kabelholderen på bunnen av pumpen og fest 12V støpselet (14) inn i holderen på kabelholderen.

Luftslangeholder

- ◆ Høytrykkslangen (10) er plassert i lagringskanalen rundt fronten av apparatet. Vikle høytrykkslangen i kanalen.

Høyvolumslangeholder

- ◆ Høyvolumslangen (7) er plassert i lagringskanalen rundt baksiden av apparatet. Vikle høyvolumslangen i kanalen.

Oppbevaringsrom for tilbehør

- ◆ Tilbehøret (16) (17) (18) er lagret foran på apparatet i lagerrommet for tilbehør.

Sette på tilbehør

Universal ventiladapter (Fig. A)

- ◆ Pumpen er styrt med standard konisk dyse (18), en messingkobling (17) og oppblåsningsnåleventil (16), plassert på baksiden av enheten.
- ◆ Når du skal bruke universalventiladapteren (9), må du passe på at spaken er i øvre stilling.
- ◆ Plasser ventiladapteren over stammen til pumpenålen.
- ◆ Trykk spaken (19) på universal-ventiladapteren ned for å låse den på plass.
- ◆ Sett pumpenålen, messingkoblingen eller den koniske dysen inn i gjenstanden som skal pumpes opp.

Merk: Pass alltid på at spaken peker opp når luftpumpen ikke er i bruk. Luftpumpen skal bare brukes med universalventiladapteren eller munestykkene som følger med.

Merk: Pass på at universalventiladapteren sitter godt på plass før du skrur på luftpumpen.

Høyvolumslange (Fig. B)

- ◆ Ta høyvolumslangen (7) ut av oppbevaringsrommet.
- ◆ Rett inn sporene (20) på slangen med knastene (21) på høyvolum tappekobling (12). Skyv så slangen på og vri mot klokken for å feste den.
- ◆ For å ta av, vri slangen med klokken og trekk slangen av.

Merk: Mange gjenstander som kan blåses opp, spesielt luftmadrasser, har en innvendig klaff som hindrer luft i å strømme ut under oppblåsing. Hvis ikke munnstykket skyver bort denne klaffen, blir ikke gjenstanden blåst opp. Trykk munnstykket bestemt inn i ventilen for å sikre at du skyver denne klaffen unna.

Advarsel! Fare for eksplosjon. For høyt lufttrykk kan føre til fare og risiko for eksplosjon eller personskade. Kontroller produsentens normerte maksimumstrykk for enheter du blåser opp.

Merk: Hvis det normerte trykket for gjenstanden som blåses opp, er over 100 psi, er maksimal kjøringstid 10 minutter. La luftpumpen hvile i 20 minutter før den brukes igjen.

Bruk

Advarsel! For å redusere risikoen for alvorlig personskade, slå av redskapet og koble det fra strømkilden og ta av batteriet før du foretar justeringer eller fjerner/installerer tilleggsutstyr eller tilbehør. Utilsikket oppstart kan føre til personskade.

Advarsel! Ikke bruk luftpumpen mens bilmotoren går.

Merk: Kontroller at det er strøm i tilbehørskontakten for 12 volt.

På noen kjøretøyer kan det hende nøkkelen må være i tilbehørsstilling for at det skal være strøm i tilbehørskontakten.

Montering og fjerning av batteripakken (fig. C, D)

Merk: For best resultat, pass på at batteripakken er helt oppladet før bruk.

- ◆ For å installere batteripakken i batteriporten (15), juster batteripakken med sporene inne i batteriporten, og sett den inn i håndtaket til batteripakken sitter fast i verktøyet, pass på at det ikke sitter løst.
- ◆ For å fjerne batteripakken fra verktøyet skal du trykke på utføserknappen (22) og dra batteripakken ut av verktøyhåndtaket. Sett batteri i laderen som beskrevet i laderavsnittet i denne bruksanvisningen.

Slå på (figur E, F)

Advarsel! Fare for eksplosjon. Ikke la enheten gå uten tilsyn. Ved å blåse dekk og annet opp for mye kan det føre til alvorlige personskader og materielle skader.

Merk: Når du setter strøm på pumpen med 12v, 20v batteri eller 230V AC vil LCD-skjermen være på i omtrent 10 minutter før det slås av eller går til dvalemodus. Det skjer når enheten ikke brukes. For å vekke systemet, må brukeren trykke på knappen for trykkmodus/reset (5). Da vil LCD-skjermen tennes og pumpen er klar for bruk.

- ◆ Før du slår på pumpen, velg hvilken strømkilde du vil bruke: 12V DC adapter, 230V støpsel eller 20V MAX* batteripakke.
- ◆ For å bruke 12V DC adapteren eller 20V MAX* batteripakke, trykk på AC/DC strømbryteren (1) plassert på fronten av enheten til DC.
- ◆ Dersom du bruker 12V kabelen, trekk alltid 12V kabelen helt ut før bruk.
- ◆ Koble 12V DC adapteren (14) inn i 12V DC kontakten på bilen.

For å bruke 230V støpsel, trykk på AC/DC strømbryteren (1) plassert på fronten av enheten til AC.

- ◆ Dersom du bruker 230V kabelen (13), trekk alltid kabelen helt ut før bruk.
- ◆ Koble 230V AC støpselet (13) inn i enten en stikkontakt eller en passende skjøteledning som i sin tur er koblet til en stikkontakt.

For å slå på høyt volum

Høyvolumslangen er ment for bruk med objekter som trenger store luftmengder, så som luftmadrasser, flåter og bassengmadrasser.

Merk: Høyvolummodus HAR IKKE en funksjon for automatisk utkobling.

- ◆ Fest høyvolumslangen (7) til høyvolum pumpe tilkobling (12) som beskrevet i avsnittet "Høyvolumslange".
- ◆ Sett inn høyvolumslangen (7) eller den koniske dysen (8) i objektet som skal blåses opp.
- ◆ Trykk på høyvolumsiden av modus-strømbryteren (2), som angitt med luftmadrassympolet.
- ◆ For å slå av, trykk bryteren til senterposisjon.

For å slå på høyt trykk

Høytrykkslangan er ment brukt for objekter som trenger høyere trykk, så som bildekk eller basketballer.

- ◆ Ta høytrykkslangan (10) ut av oppbevaringsrommet.
- ◆ Fest en dyse som beskrevet i avsnittet "Universal ventiladapter".
- ◆ Sett inn dysen i objektet som skal blåses opp.
- ◆ Trykk på høytrykksiden av modus-strømbryteren (2), som angitt med dekkssymbolet.
- ◆ For å slå av, trykk bryteren til senterposisjon.

Tapp av luft med høyvolumslangen (Fig. H)

Advarsel! Vær oppmerksom på objekter som kastes ut. Når du tapper luft, vil store mengder luft komme ut av høyvolum tappekoblingen (12). Pass på at universal-ventiladapteren ikke er rettet mot noe eller noen.

- ◆ Ta høyvolumslangen (7) ut av oppbevaringsrommet.
- ◆ Rett inn slangeenden (23) med høyvolum tappekoblingen (11). Skyv så slangen godt inn på plass.
- ◆ Sett inn slangen eller konisk dyse (8) i objektet som skal tappes av.

- ◆ Trykk på høyvolumsiden av modus-strømbryteren (2) som vist i figur G, angitt med luftmadrassympolet.
- ◆ For å slå av, trykk bryteren til senterposisjon.
- ◆ For å ta av, vri slangen med klokken og trekk slangen av.

Stille inn trykket for automatisk stopp

Merk: LCD viser kun lufttrykket mens luftpumpen er i bruk.

Både oppblåsing- og tappemodus vil apparatet vise batteri-statusen.

- ◆ Når du skal bytte mellom de ulike enhetene (psi, bar eller kPa), trykk på modusknappen (5) til den ønskede enheten vises.
- ◆ Trykk på - eller + trykkinnstillingsknappene (4) til ønsket trykk vises.
- ◆ Etter 3 sekunder blinker displayet og går tilbake til å vise "0.0". Dette er normalt.
- ◆ Koble universalventiladapter og eventuelt tilbehør til gjenstanden som skal blåses opp, og pass på at håndtaket på ventiladapteren er i nedre stilling så den er låst på plass.
- ◆ For å starte luftpumpen, trykk på modus-strømbryteren (2) på siden med dekkssymbolet.
- ◆ Når gjenstanden som skal blåses opp, har nådd den forhåndsinnstilte verdien, slås enheten av automatisk. **MERK:** Du kan se at avlesning av virkelig trykk kan falle etter noen sekunder. Dette er normalt.
- ◆ Du kan når som helst stoppe luftpumpen ved å trykke hovedbryteren tilbake til midtstilling.

Merk: Dersom strømbryteren slås av, vil alle innstillinger gå tapt og må legges inn på nytt. Dette er en sikkerhetsfunksjon for å unngå fare for overoppblåsing.

Bruke luftpumpen som trykkmåler

- ◆ Koble universaladapteren (9) til enheten som skal måles.
- ◆ Trykk på modus-strømbryteren (2) på siden med dekkssymbolet.
- ◆ LCD-displayet vil vise enhetens trykk.
- ◆ Etter sjekk, trykk modus-strømbryteren (2) tilbake til midtstilling og legg luftslangen tilbake på plass.

Vedlikehold

Det batteridrevne BLACK+DECKER-produktet er konstruert for å være i drift over lengre tid, med et minimum av vedlikehold. For at den skal fungere tilfredsstillende over tid, er det viktig å sørge for riktig stell av verktøyet og regelmessig renhold.

Advarsel! Før du utfører vedlikehold på et batteridrevet apparat:

- ◆ Bruk opp hele batteriet, hvis det er en del av apparatet, og skru av apparatet.
- ◆ Trekk ut laderen fra stikkkontakten før du rengjør den. Laderen krever ikke annet vedlikehold enn regelmessig rengjøring.

- ◆ Du kan regelmessig rengjøre ventilasjonsåpningene på apparatet/laderen ved bruk av en myk børste eller en tørr klut.
- ◆ Rengjør motorhuset regelmessig med en fuktig klut. Ikke bruk slipende eller løsemiddelbaserte rengjøringsmidler.

Miljøvern



Separat avfallshåndtering. Produkter og batterier merket med dette symbolet skal ikke kastes i vanlig husholdningsavfall.

Produkter og batterier inneholder materialer som kan gjenbrukes eller gjenvinnes for å redusere behovet for nye råmaterialer.

Vennligst lever elektrisk utstyr og batterier til gjenbruk i henhold til lokale regler. Mer informasjon finner du på www.2helpU.com

Tekniske data

	BDCINF18
Spenning	18V
Vekt	2,0 kg (uten batterier)
Klasse	II

Batteri*		BL1318
Spenning	V_{dc}	18
Kapasitet	Ah	1,3
Type		Li-ion

Batteri*		BL1518
Spenning	V_{dc}	18
Kapasitet	Ah	1,5
Type		Li-ion

Batteri*		BL2018
Spenning	V_{dc}	18
Kapasitet	Ah	2,0
Type		Li-ion

Batteri*		BL4018
Spenning	V_{dc}	18
Kapasitet	Ah	4,0
Type		Li-ion

Batteri*		BL1554
Spenning	V_{dc}	18
Kapasitet	mAh	2500
Type		Li-ion

Batteri*		BL2554
Spenning	V_{dc}	18
Kapasitet	mAh	2500
Type		Li-ion

Alternativ Bluetooth batteripakke*		BL1518ST	BL2018ST
Spenning	V_{dc}	18	18
Kapasitet	Ah	1,5	2
Type		Li-ion	Li-ion

Lader*		SSC-250040X
Inngangsspenning	V_{AC}	230
Utgangsspenning	V_{DC}	8 - 20
Strøm	mA	400

* Leveres ikke med enheten

Garanti

Black & Decker er trygg på kvaliteten av produktene sine og tilbyr en 24 måneders garanti fra kjøpsdato. Denne garanti-erklæringen kommer i tillegg til dine lovbestemte rettigheter og er ikke i konflikt med disse. Garantien er gyldig innen områdene tilhørende medlemslandene i den Europeiske Union (EU) og det Europeiske Frihandelsområdet (EFTA).

For å ta garantien i bruk må kravet være i samsvar med kjøpsbetingelsene fra Black&Decker og du må vise kjøpskvittering til forhandleren eller til et autorisert serviceverksted. Betingelsene for Black & Deckers 2 års garanti og adressen til din nærmeste autoriserte serviceverksted kan du finne på internett under www.2helpU.com, eller ved å kontakte ditt lokale Black & Decker kontor, adressen er angitt i denne bruksanvisningen.

Besøk våre nettsider på www.blackanddecker.no for å registrere ditt nye Black & Decker-produkt og for å få informasjon om nye produkter og spesialtilbud.

Tilsigtet brug

Din BLACK+DECKER BDCINF18 pumpestation er blevet designet til at blive brugt ledningsfrit eller i de fleste køretøjer fra en almindelig 12 V-kontakt til at oppumpe bil- og cykeldæk, bolde, luftmadrasser, badedyr, osv. Dette apparat er kun beregnet til forbrugeranvendelse.



Læs hele vejledningen omhyggeligt, før du bruger apparatet.

Sikkerhedsinstruktioner



Advarsel! Læs alle sikkerhedsadvarsler og alle instruktioner. Hvis nedenstående advarsler og instruktioner ikke følges, er der risiko for elektrisk stød, brand og alvorlige kvæstelser.

- Den tilsigtede brug er beskrevet i denne vejledning. Brugen af ekstraudstyr eller tilbehør eller udførelse af andet arbejde med dette apparat end det, der anbefales i denne vejledning, kan udgøre en fare for kvæstelser.
- Opbevar denne vejledning til senere brug.
- Dette apparat må kun bruges med batteripakkerne, der er angivet i vejledningen som trådløs strøm.
- Hvis netledningen beskadiges, skal den udskiftes af producenten, hans serviceagent eller lignende kvalificerede personer, så farlige situationer undgås.

Brug af apparatet

- Brug ikke apparatet til at opsamle væske eller stoffer, der kan være antændelige.

- ◆ Apparatet må ikke nedsænkes i vand.
- ◆ Træk aldrig i opladerens ledning for at afbryde opladeren fra stikkontakten. Beskyt laderens ledning imod varmepåvirkninger, olie og skarpe kanter.

Andres sikkerhed

- ◆ Dette værktøj må ikke bruges af personer (herunder børn) med nedsatte fysiske, sensoriske eller mentale evner eller manglende erfaring og viden, medmindre det sker under overvågning, eller der gives instruktion i brugen af værktøjet af en person, der er ansvarlig for deres sikkerhed.
- ◆ Børn skal holdes under opsyn, så det sikres, at de ikke leger med værktøjet.

Eftersyn og reparationer

Før brug skal apparatet kontrolleres for beskadigede eller defekte dele. Se efter knækkede dele, skader på kontakter og eventuelle andre tilstande, der kan påvirke apparatets funktion.

- ◆ Brug ikke apparatet med beskadigede eller defekte dele.
- ◆ Sørg for at få beskadigede eller defekte dele repareret eller udskiftet på et autoriseret værksted.
- ◆ Kontroller regelmæssigt opladerens ledning for skader. Udskift opladeren, hvis ledningen er beskadiget eller defekt.
- ◆ Forsøg aldrig at fjerne eller udskifte dele ud over dem, der er beskrevet i denne vejledning.

Yderligere sikkerhedsvejledninger

- ◆ Oppump cykeldæk, bolde, luftmadrasser, badedyr, m.m. i og omkring hjemmet. Anbefalet maksimal kontinuerlig drift ved 65 psi er 2 minutter tændt med 5 minutter slukket.
- ◆ Komprimeret luft fra pumpen må ikke indåndes. Indånd aldrig luften fra pumpen eller fra en åndedrætsenhed, der er sluttet til pumpen.
- ◆ Et for kraftigt lufttryk kan medføre risiko for sprængning. Kontroller producentens maksimale, nominelle tryk inden genstande pumpes op.
- ◆ Lad ikke pumpen køre uden opsyn. Dæk eller andre genstande kan eksplodere.
- ◆ Brug en dækmåler til at kontrollere dækkenes tryk inden hver anvendelse og under oppumpning af dæk. Se dækkets side for korrekt dæktryk.
- ◆ Må ikke modificeres eller forsøges repareret. Bor ikke hul i pumpen, svejs ikke på den, og foretag ikke ændringer på den eller dens tilbehør.
- ◆ Må kun betjenes med det medfølgende tilbehør eller lufthåndteringsdele, der er godkendt til ikke mindre end 160 psi.
- ◆ Brugen af tilbehør, som ikke anbefales sammen med dette værktøj, kan være farligt.
- ◆ Leg ikke vildt med det. Luft under højt tryk er farligt. Ret ikke luftstrømmen mod dig selv eller andre.

Advarsel! Lad altid grebet på ventiladapteren være åbent, når det ikke er i brug.

- ◆ Pumpen kan blive varm under brug. Lad pumpen køle af i 30 minutter, inden den sættes væk.

Efter brug

- ◆ Træk opladeren ud af stikkontakten, før rengøring.
- ◆ Opbevar apparatet på et tørt sted, når det ikke er i brug.
- ◆ Opbevar apparater utilgængeligt for børn.

Tilbageværende risici

Der kan opstå yderligere, tilbageværende risici under brugen af apparatet, som muligvis ikke behandles i de vedlagte sikkerhedsadvarsler. Disse risici kan opstå pga. forkert anvendelse, langvarig brug etc.

Selv ved overholdelse af relevante sikkerhedsforskrifter og anvendelse af sikkerhedsudstyr kan visse tilbageværende risici ikke undgås. Disse omfatter:

- ◆ Tilskadecomst forårsaget af berøring af roterende/bevægelige dele.
- ◆ Tilskadecomst forårsaget af udskiftning af dele, klinger eller tilbehør.
- ◆ Tilskadecomst forårsaget af langvarig brug af et apparat. Husk at holde pause jævnlige ved brug af et apparat i længere tid.
- ◆ Hørenedsættelse.
- ◆ Sundhedsrisici forårsaget af indånding af støv, der genereres ved brug af dit apparat (eksempel: arbejde med træ, især eg, bøg og MDF.)

Batterier

- ◆ Forsøg aldrig at åbne den af en eller anden grund.
- ◆ Batteriet må ikke udsættes for fugt.
- ◆ Opbevar ikke batterier på steder, hvor temperaturen kan overstige 40 °C.
- ◆ Foretag kun opladning ved omgivelsestemperaturer mellem 10 °C og 40 °C.
- ◆ Oplad kun ved hjælp af den medfølgende lader.
- ◆ Hvis apparatet skal opbevares uden brug gennem en længere periode, bør batterierne tages ud.
- ◆ Følg ved bortskaffelse af batterier vejledningen i afsnittet "Miljø".




Forsøg ikke at oplade beskadigede batterier.


Opladere


- ◆ Brug kun din BLACK+DECKER-lader til at oplade batteriet i det værktøj, som den blev leveret sammen med. Andre batterier kan eksplodere og forårsage kvæstelser og materielle skader.
- ◆ Forsøg aldrig at oplade ikke-genopladelige batterier.
- ◆ Udskift straks defekte ledninger.
- ◆ Opladeren må ikke udsættes for fugt.
- ◆ Opladeren må ikke åbnes.
- ◆ Undersøg ikke opladeren.

Elektricitet og sikkerhed

Symboler på opladeren

- ◆  Læs hele vejledningen omhyggeligt, før du bruger apparatet.

 Dette apparat er dobbeltisoleret. Derfor er en jordledning ikke nødvendig. Kontrollér altid, at strømforsyningen svarer til spændingen på mærkepladen.

 Laderen er kun beregnet til indendørs brug.

Mærkatér på apparatet

Apparatet er forsynet med følgende advarselssymboler samt datokoden.



Advarsel! Brugeren skal læse brugervejledningen for at reducere risikoen for tilskadekomst.



Udsæt ikke apparatet for regn eller høj fugtighed.



Tag stikket ud, før apparatet vedligeholdes eller rengøres.



Efterlad ikke pumpen uden opsyn.



Klasse II-apparat

Funktioner

Apparatet har nogle eller alle af de følgende funktioner.

1. AC/DC-strømkontakt
2. Tilstandskontakt
3. LCD
4. Trykindstillingsknapper
5. Tryktilstand-/nulstillingsknap
6. Håndtag
7. Højvolumensslange
8. Tilspidset dyse
9. Universal ventiladapter
10. Højtryksslange
11. Udpumpningsforbindelse med høj volumen
12. Højvolumen-oppumpningsforbindelse

13. 230V AC-ledning
14. 12V DC-bilforbindelse
15. 18V MAX*-batteriåbning
16. Pumpekanyleventil
17. Messingkoblingsadapter
18. Tilspidset dyse

Samling

12V DC-ledningsopbevaring

- ◆ Vikl 12V DC-ledningen omkring ledningsholderen placeret i bunden af pumpen, og lås 12V DC-forbindelsen (14) ind i dens opbevaringssted på ledningsholderen.

Opbevaring af luftslange

- ◆ Højtryksslangen (10) er placeret i en opbevaringskanal omkring enhedens forside. Pak højtryksslangen ind i kanalen.

Opbevaring af højvolumensslange

- ◆ Højvolumensslangen (7) er placeret i en opbevaringskanal omkring enhedens bagside. Pak højvolumensslangen ind i kanalen.

Rum til opbevaring af tilbehør

- ◆ Tilbehøret (16) (17) (18) opbevares i bagsiden af enheden inden i området til opbevaring af tilbehør.

Påmontering af tilbehøret

Universal ventiladapter (Fig. A)

- ◆ Din pumpe er forsynet med den standard tilspidsede dyse (18), en messingkobling (17), og pumpekanyleventilen (16), placeret på enhedens bagside.
- ◆ For at bruge universalventiladapteren (9) skal grebet være i øverste stilling.
- ◆ Anbring ventiladapteren over pumpekanyleventilen, messingkoblingsadapteren eller den tilspidsede dyse.
- ◆ Skub grebet (19) på den universale ventiladapter ned for at låse den på plads.
- ◆ Anbring pumpekanyleventilen, messingkoblingsadapteren eller den tilspidsede dyse i emnet, der skal pumpes op.

Bemærk: Grebet skal altid stå i øverste stilling, når pumpen ikke er i brug. Anvend kun pumpen sammen med universalventiladapteren eller med de medfølgende dyser.

Bemærk: Kontroller, at universalventiladapteren er låst på plads, inden pumpen startes.

Højvolumensslange (Fig. B)

- ◆ Fjern højvolumensslangen 7 fra opbevaringsstedet.
- ◆ Nivellér hakkerne 20 på slangen med knuderne (21) på oppumpningsforbindelsen med høj volumen (12). Skub derefter slangen på og sno mod uret for at fastgøre.

- ◆ For at fjerne slangen skal den snos med uret og derefter glide af.

Bemærk: Mange oppustelige genstande, især luftmadrasser, har en indbygget flap, som forhindrer lufttab under oppumpningen. Dysen skal flytte denne flap, for at genstanden kan pumpes op. Skub dysen helt ind i ventilen, for at sikre at flappen flyttes.

Advarsel! Risiko for sprængning. Et for kraftigt lufttryk kan medføre risiko for eksplosion eller personskade. Kontroller producentens maksimale, nominelle tryk inden en genstand pumpes op.

Bemærk: Hvis det nominelle tryk for den genstand, der pumpes op, er over 100 psi, skal det bemærkes, at den maksimale køretid er 10 minutter, hvorefter pumpen skal stå stille i 20 minutter, før den bruges igen.

Funktion

Advarsel! For at reducere risikoen for personskade skal du slukke for enheden og afbryde den fra strømkilden og tage batteripakken ud, inden der foretages justeringer, eller der fjernes/monteres tilbehør eller ekstraudstyr. En utilsigtet opstart kan forårsage personskade.

Advarsel! Anvend ikke pumpen, mens bilens motor kører.

Bemærk: Kontroller, at 12 V-tilbehørsstikket er strømførende. Nogle biler kræver, at tændingen er slået til, for at tilbehørsstikket får strøm.

På- og afmontering af batteripakken (fig. C, D)

Bemærk: For de bedste resultater kontrollér at batteripakken er fuldt opladet før brug.

- ◆ Du installerer batteripakken i batteriporten (15) ved at rette batteripakken ind efter skinnerne inde i batteriporten og skubbe den ind i håndtaget, indtil batteripakken sidder fast i værktøjet og kontrollér, at den ikke river sig løs.
- ◆ Du fjerner batteripakken fra værktøjet ved at trykke på udløseknop (22) og trække batteripakken ud af værktøjshåndtaget. Isæt den i opladeren som beskrevet i opladerafsnittet i denne vejledning.

Start (fig. E, F)

Advarsel! Risiko for sprængning. Lad ikke enheden køre uden opsyn. Overpumpning af dæk og andre genstande kan resultere i alvorlig personskade og ejendomsskade.

Bemærk: Når der forsynes strøm til pumpen med 12v, 20v batteri eller 230V AC, forbliver LCD-displayet tændt i ca. 10 minutter, inden displayet slukkes/skifter til dvaletilstand.

Dette sker, når enheden ikke er i drift.

For at vække systemet skal brugeren trykke på tryktilstands-/nulstillingsknappen (5). Så vil LCD-displayet blive tændt, og pumpen er klar til brug.

- ◆ Inden du tænder din pumpe, skal du beslutte hvilken strømkilde, du vil bruge; 12V DC-adapter, 230V AC-stik eller en 20V MAX* batteripakke.
- ◆ For at bruge 12V DC-adapteren eller 20V MAX*-batteripakken skal du trykke på AC/DC-strømkontakten (1) placeret på forsiden af enheden til DC.
- ◆ Hvis du bruger 12V DC-ledningen, skal du altid rulle 12V DC-ledningen helt ud inden brug.
- ◆ Tilslut 12V DC-adapteren 14 i dit køretøjs 12V DC-tilbehørsstik.

For at bruge 230V AC-ledningen skal du trykke på AC/DC-kontakten 1 placeret på forsiden af enheden til AC.

- ◆ Hvis du bruger 230V AC-ledningen 13, skal du altid rulle ledningen helt ud inden brug.
 - ◆ Slut 230V AC-stikket 13 i enten en stikkontakt eller en forlængerledning af passende størrelse, der er sluttet til en stikkontakt.

Sådan tændes der for høj volumen

Højvolumensslangen er beregnet til brug på genstande, som indeholder store mængder luft, f.eks. luftmadrasser og badedyr.

Bemærk: Højvolumenstilstanden har IKKE en automatisk lukkefunktion.

- ◆ Sæt højvolumensslangen (7) på oppumpningsforbindelsen med høj volumen (12) som beskrevet i afsnittet "Højvolumenslange".
- ◆ Indsæt højvolumensslangen (7), eller dens tilspidsede dyse (8) i den genstand, der bliver oppumpet.
- ◆ Tryk på højvolumensiden af tilstandskontakten (2), indikeret af luftmadrassympolet.
- ◆ Du slukker ved at trykke netkontakten til midterpositionen.

Sådan tændes der for højtryk

Højtryksslangen er beregnet til brug til genstande, der har brug for mere lufttryk såsom dæk og basketballs.

- ◆ Fjern højtryksslangen (10) fra opbevaringen.
- ◆ Fastgør en dyse, som beskrevet i afsnittet "Universel ventiladapter".
- ◆ Indsæt dysen i den genstand, der oppustes.
- ◆ Tryk på højtrykssiden af tilstandskontakten (2), indikeret af dæksymbolet.
- ◆ Du slukker ved at trykke netkontakten til midterpositionen.

Pump ud ved hjælp af højvolumensslangen (fig. H)

Advarsel! Pas på genstande, der skubbes ud. Under udpumpning kommer der store mængder luft ud af oppumpningsforbindelsen med høj volumen (12). Sørg for, at den universale ventiladapter ikke peger mod nogen eller noget.

- ◆ Fjern højvolumensslangen (7) fra opbevaringsstedet.
- ◆ Flugt slangeenden (23) med udpumpningsforbindelsen med høj volumen (11). Skub derefter slangen fast ind, så den er sikkert på plads.

- ◆ Indsæt slangen, eller dens tilspidsede dyse (8) i den genstand, der bliver udpumpet.
- ◆ Tryk på højvolumensiden af tilstandskontakten (2), som vist på figur G, indikeret af luftmadrassympolet.
- ◆ Du slukker ved at trykke netkontakten til midterpositionen.
- ◆ Før at fjerne slangen skal slangen snoes med uret og derefter glide af.

Indstilling af det automatiske lukketryk

Bemærk: LCD'en viser kun oppumpningstryk, når oppumpningen anvendes. I både oppumpnings- og pumpetilstand viser enheden batteriets status.

- ◆ Tryk på tryktilstandsknappen (5), til den ønskede enhed vises, for at skifte mellem de forskellige enheder (psi, bar eller kPa).
- ◆ Tryk på trykindsstillingsknapperne - eller + (4), indtil det påkrævede tryk vises.
- ◆ Efter 3 sekunder blinker displayet og vender tilbage til visningen "0.0". Det er normalt.
- ◆ Slut om nødvendigt universaladapterventilen og tilbehør til den genstand, der skal pumpes op; kontroller, at armen på ventiladapteren er i nederste stilling, og lås den på plads.
- ◆ Start pumpen ved at trykke tilstandskontakten (2) mod siden af dæksymbolet.
- ◆ Når den genstand, der skal pumpes op, har nået den indstillede værdi, slukkes pumpen automatisk. **BEMÆRK:** Du lægger muligvis mærke til, at den aktuelle trykmåling eventuelt falder efter nogle sekunder. Det er normalt.
- ◆ Stop pumpen når som helst ved at trykke netknappen tilbage til midterpositionen.

Bemærk: Hvis AC/DC-strømkontakten slukkes, mistes alle indstillinger og skal genindtastes. Dette er en sikkerhedsfunktion for at forhindre risikoen for, at genstande bliver pumpet for meget op.

Brug af pumpen som trykmåler

- ◆ Slut den universelle ventiladapter (9) til den genstand, der skal kontrolleres.
- ◆ Tryk på tilstandskontakten (2) på siden af dæksymbolet.
- ◆ LCD'en viser genstandens tryk.
- ◆ Efter kontrollen skal du trykke tilstandskontakten (2) tilbage til midterpositionen og sætte luftslangen tilbage til opbevaringsstedet.

Vedligeholdelse

Dit Black & Decker-apparat uden ledning er beregnet til at fungere i en længere periode med minimal vedligeholdelse. Vedvarende tilfædsstillende funktion er afhængig af, om apparatet plejes korrekt og rengøres regelmæssigt.

Advarsel! Før udførelse af nogen form for vedligeholdelse af apparater uden ledning:

- ◆ Aflad batteriet helt, hvis det er indbygget, og sluk derefter.

- ◆ Træk opladeren ud af stikkontakten, før den rengøres. Opladeren kræver ingen vedligeholdelse, men skal rengøres jævnligt.
- ◆ Rengør jævnligt apparatets/opladerens ventilationshuller med en blød børste eller en tør klud.
- ◆ Rengør med jævne mellemrum motorhuset med en fugtig klud. Der må ikke bruges skuremidler eller opløsningsmidler.

Miljøbeskyttelse



Særskilt bortskaffelse. Produkter og batterier mærket med dette symbol må ikke bortskaffes sammen med normalt husholdningsaffald.

Produkter og batterier indeholder materialer, der kan genvindes eller genbruges og således reducere efterspørgslen efter råvarer.

Genbrug venligst elektriske produkter og batterier i henhold til lokale bestemmelser. Yderligere oplysninger findes på www.2helpU.com

Tekniske data

		BDCINF18
Spænding		18V
Vægt		2,0 kg (Eksklusive batteri)
Klasse		II

Batteri*		BL1318
Spænding	V_{dc}	18
Kapacitet	Ah	1.3
Type		Li-Ion

Batteri*		BL1518
Spænding	V_{dc}	18
Kapacitet	Ah	1.5
Type		Li-Ion

Batteri*		BL2018
Spænding	V_{dc}	18
Kapacitet	Ah	2.0
Type		Li-Ion

Batteri*		BL4018
Spænding	V_{dc}	18
Kapacitet	Ah	4.0
Type		Li-Ion

Batteri*		BL1554
Spænding	V_{dc}	18
Kapacitet	mAh	2500
Type		Li-Ion

Batteri*		BL2554
Spænding	V_{dc}	18
Kapacitet	mAh	2500
Type		Li-Ion

Alternativ Bluetooth-batteripakke*	BL1518ST	BL2018ST	
Spænding	V_{dc}	18	18
Kapacitet	Ah	1.5	2
Type	Li-Ion		Li-Ion

Oplader*		SSC-250040X
Indgangsspænding	V_{AC}	230
Udgangsspænding	V_{DC}	8 - 20
Strømstyrke	mA	400

* Leveres ikke med enheden

Garanti

Black & Decker er overbevist om den gode kvalitet af sine produkter og giver forbrugerne en garanti på 24 måneder fra købsdatoen. Garantien er et tillæg til forbrugerens lovmæssige rettigheder og påvirker ikke disse. Garantien er gyldig inden for medlemsstaterne af Den Europæiske Union og Det Europæiske Frihandelsområde.

Når du gør krav på garantien, skal kravet være i overensstemmelse med Black & Decker vilkår og betingelser, og du skal indsende dokumentation for købet til sælgeren eller til en autoriseret reparatør. Vilkår og betingelser for Black & Decker 2 års garanti og placeringen af dit nærmeste autoriserede serviceværksted kan fås på internettet på www.2helpU.com, eller ved at kontakte dit lokale Black & Decker kontor på den adresse, der er angivet i denne vejledning.

Besøg venligst vores websted www.blackanddecker.co.uk for at registrere dit nye Black & Decker produkt og modtage opdateringer om nye produkter og specielle tilbud.

Käyttötarkoitus

BLACK+DECKER BDCINF18 -täyttöasema on tarkoitettu käytettäväksi langattomasti tai useimmissa ajoneuvoissa käytäen standardia 12 V pistoketta auton tai pyörän renkaiden, pallojen, kumilautojen, ilmapatjojen, uima-altaan kellukkeiden jne. täyttämiseen. Tämä laite on tarkoitettu vain kuluttajien käyttöön.



Lue nämä ohjeet huolellisesti ennen laitteen käyttöä.

Turvallisuusohjeet



Varoitus! Lue kaikki turvallisuusvaroitukset ja ohjeet. Alla olevien varoitusten ja ohjeiden noudattamisen laiminlyönti saattaa johtaa sähköiskuun, tulipaloon ja/tai vakavaan loukkaantumiseen.

- ◆ Käyttötarkoitus kuvataan ohjeissa. Muiden kuin ohjeissa suositeltujen lisävarusteiden tai -osien käyttö sekä laitteen käyttö muuhun kuin oppaassa suositeltuun tarkoitukseen voi aiheuttaa henkilövahingon vaaran.
- ◆ Säilytä tämä käyttöohje tulevaa tarvetta varten.
- ◆ Tätä laitetta tulee käyttää langattomasti ainoastaan ohjekirjassa määritetyillä akuilla.
- ◆ Jos virtajohto vahingoittuu, sen vaihtaminen on turvallisuussyistä jätettävä valmistajan, sen huoltopalvelun tai muun ammattitaitoisen henkilön tehtäväksi.

Laitteen käyttö

- ◆ Älä käytä laitetta nesteiden tai syttyvien materiaalien keräämiseen.

- ♦ Älä upota laitetta veteen.
- ♦ Älä koskaan irrota laturia pistorasiasta vetämällä virtajohdosta. Pidä laturin virtajohto etäällä lämmönlähteistä, öljystä ja terävistä reunoista.

Muiden henkilöiden turvallisuus

- ♦ Tätä työkalua ei ole tarkoitettu sellaisten henkilöiden käyttöön, joilla on fyysisiä tai älyllisiä rajoitteita tai aistirajoitteita, eikä laitteen toimintaan perehtymättömien henkilöiden käyttöön (lapset mukaan luettuina), paitsi valvonnan alaisina, tai jos he ovat saaneet työkalun käyttöön liittyvää opastusta heidän turvallisuudestaan vastaavalta henkilöltä.
- ♦ Lapsia tulee valvoa ja varmistaa, että he eivät leiki laitteella.

Tarkastus ja korjaus

Tarkista ennen laitteen käyttöä, ettei laitteessa ole vahingoittuneita tai viallisia osia. Tarkista osien ja kytkimien kunto sekä muut seikat, jotka voivat vaikuttaa laitteen toimintaan.

- ♦ Älä käytä laitetta, jos jokin sen osa on vahingoittunut tai viallinen.
- ♦ Korjauta tai vaihdata vaurioituneet tai vialliset osat valtuutetussa huoltoliikkeessä.
- ♦ Tarkista säännöllisesti, ettei laturin virtajohto ole vahingoittunut. Vaihda laturi, jos virtajohto on vahingoittunut tai viallinen.

- ♦ Älä yritä korjata tai vaihtaa muita kuin tässä käyttöohjeessa erikseen määriteltyjä osia.

Lisäturvaohjeet

- ♦ Voit täyttää laitteella esimerkiksi pyörän renkaita, palloja, kumilauttoja, uima-altaan kellukkeita, ilmapatjoja kotiympäristössä. Laitetta on suositeltavaa käyttää yhtäjaksoisesti korkeintaan 2 minuuttia 65 psi paineella, sammuta laite sen jälkeen 5 minuutin ajaksi.
- ♦ Täyttölaitteesta tulevaa paineilmaa ei saa hengittää. Älä koskaan hengitä täyttölaitteesta tai täyttölaitteeseen liitetystä hengityslaitteesta tulevaa ilmaa.
- ♦ Liian suuri ilmanpaine aiheuttaa vaarallisen räjähdysvaaran. Tarkista täytettävän esineen valmistajan antama enimmäispainesuositus.
- ♦ Älä jätä käytössä olevaa täyttölaitetta ilman valvontaa. Rengas tai muu esine saattaa räjähtää.
- ♦ Tarkista renkaan paine rengasmittarilla ennen jokaista käyttökertaa ja renkaan täyttämisen aikana. Katso oikea painearvo renkaan sivuseinämästä.
- ♦ Älä yritä muuttaa tai korjata laitetta. Älä koskaan poraa tai hitsaa täyttölaitetta tai sen lisäosia, äläkä tee niihin mitään muutoksia.
- ♦ Käytä ainoastaan pakkaukseen kuuluvilla lisävarusteilla tai vähintään 160 psi paineeseen sopivilla paineilmaosilla.

- ◆ Sellaisten lisävarusteiden käyttö, joita ei ole suositeltu käytettäväksi laitteen kanssa, saattaa johtaa vaaratilanteeseen.
- ◆ Laitetta ei saa koskaan käyttää pilailuun. Korkeapaineilma on vaarallista. Älä suuntaa ilmavirtaa itseäsi tai muita ihmisiä kohti.

Varoitus! Jätä venttiilin sovittimen vipu aina auki, kun et käytä laitetta.

- ◆ Täyttölaitte voi kuumentua käytön aikana. Anna täyttölaitteen jäähtyä 30 minuutin ajan ennen sen varastointia.

Käytön jälkeen

- ◆ Irrota laturi pistorasiasta ennen laturin puhdistamista.
- ◆ Kun laitetta ei käytetä, se on säilytettävä kuivassa paikassa.
- ◆ Pidä laite lasten ulottumattomissa.

Jäännösriskit

Myös muut kuin turvavaroituksissa mainitut riskit ovat mahdollisia työkalua käytettäessä. Nämä riskit voivat liittyä muun muassa virheelliseen tai pitkäaikaiseen käyttöön.

Tiettyjä jäännösriskejä ei voi välttää, vaikka noudatat kaikkia turvamääräyksiä ja käytät turvalaitteita. Näitä ovat:

- ◆ pyörivien tai liikkuvien osien koskettamisen aiheuttamat vahingot.
- ◆ osia, teriä tai lisävarusteita vaihdettaessa aiheutuneet vahingot.
- ◆ työkalun pitkäaikaisen käytön aiheuttamat vahingot. Varmista, että pidät säännöllisesti taukoja työkalun pitkäaikaisen käytön aikana.

- ◆ Kuulon heikkeneminen.
- ◆ Työkalua käytettäessä (esimerkiksi puuta, erityisesti tammea, pyökkiä ja MDF-levyjä käsiteltäessä) syntyneen pölyn sisäänhengityksen aiheuttamat terveysriskit.

Akut

- ◆ Älä koskaan yritä avata mistään syystä.
- ◆ Älä anna akun kastua.
- ◆ Älä säilytä paristoja tiloissa, joissa lämpötila voi nousta yli 40 °C:een.
- ◆ Lataa akku paikassa, jonka lämpötila on vähintään 10 °C ja enintään 40 °C.
- ◆ Lataa akku ainoastaan työkalun mukana toimitetulla laturilla.
- ◆ Jos laite varastoidaan pitkäksi aikaa, akut tulee poistaa.
- ◆ Noudata akkuja hävittäessäsi kohdassa ”Ympäristönsuojelu” annettuja ohjeita.



Älä koskaan yritä ladata viallisia akkuja.


Laturit


- ◆ Käytä BLACK+DECKER-laturia vain laitteen mukana toimitetun akun lataamiseen. Muut akut voivat räjähtää ja aiheuttaa henkilövahinkoja tai aineellisia vahinkoja.
- ◆ Älä koskaan yritä ladata paristoja, joita ei ole tarkoitettu ladattavaksi.
- ◆ Vaihda vialliset johdot välittömästi ehjiin.
- ◆ Älä altista laturia vedelle.
- ◆ Älä avaa laturia.


- ♦ Älä työnnä mitään laturin sisään.

Sähköturvallisuus

Laturin symbolit

 Lue tämä käyttöopas huolellisesti ennen laitteen käyttöä.

 Tämä työkalu on kaksoiseristetty, joten erillistä maadoitusta ei tarvita. Tarkista aina, että verkkovirran jännite vastaa tyyppikilpeen merkittyä jännitettä.

 Laturi on tarkoitettu ainoastaan sisäkäyttöön.

Laitteessa olevat merkinnät

Työkaluun on merkitty päivämääräkoodi sekä seuraavat symbolit.



Varoitus! Käyttäjän on luettava käyttöohje vahinkojen välttämiseksi.



Älä käytä laitetta sateessa tai erittäin kosteissa olosuhteissa.



Kytke laite pois päältä ja irrota se virtalähteestä ennen huoltoa ja puhdistusta.



Älä jätä täyttölaitetta ilman valvontaa.



Luokan II laite

Yleiskuvasu

Tässä työkalussa on joitakin tai kaikki seuraavista ominaisuuksista.

1. AC-/DC-virtakytkin

2. Tilan virtakytkin
3. LCD
4. Paineen asetuspainikkeet
5. Painetilan / nollauspainike
6. Kahva
7. Suuritehoinen letku
8. Kartiomainen suutin
9. Yleiskäyttöinen venttiilin sovitin
10. Suuripaineinen letku
11. Suuritehoinen pumpun tyhjennysliitäntä
12. Suuritehoinen pumpun täyttölaiteliitäntä
13. 230 V AC-johdot
14. 12 V DC-autopistoke
15. 18 V MAX* -akkupaikka
16. Täyttölaitteen neulaventtiili
17. Messinkiliittimen sovitin
18. Kartiomainen suutin

Asennus

12 V DC -johdon säilytyskotelot

- ♦ Kääri 12 V DC -johto täyttölaitteen alaosassa olevan johdon pidikkeen ympärille ja liitä 12 V DC -liitin (14) sen säilytyskohtaan johdon pidikkeessä.

Ilmaletkun säilytyskotelot

- ♦ Suuripaineinen letku (10) sijaitsee laitteen etuosan ympärillä olevassa säilytyskanavassa. Kääri suuripaineinen letku kanavan sisään.

Suuritehoinen letkun säilytyskotelot

- ♦ Suuritehoinen letku (7) sijaitsee laitteen takaosan ympärillä olevassa säilytyskanavassa. Kääri suuritehoinen letku kanavan sisään.

Lisävarusteiden säilytyskotelot

- ♦ Lisävarusteita (16) (17) (18) säilytetään laitteen takaosassa lisävarusteiden säilytyskotelossa.

Lisävarusteiden kiinnittäminen

Yleiskäyttöisen venttiilin sovitin (kuva A)

- ♦ Täyttölaitteen takaosassa on vakiomallinen kartiomainen suutin (18), messinkiliitin (17) sekä täyttölaitteen neulaventtiili (16).
- ♦ Varmista, että vipu on yläasennossa, kun haluat käyttää yleiskäyttöisen venttiilin sovittinta (9).
- ♦ Aseta venttiilin sovitin täyttölaitteen neulaventtiilin, messinkiliittimen sovittimen tai kartiomaisen suuttimen rungon päälle.
- ♦ Paina yleiskäyttöisen venttiilin sovittimessa oleva vipu (19) alas niin, että se lukkiutuu paikalleen.

- ◆ Aseta täyttölaitteen neulaventtiili, messinkiliittimen sovitin tai kartiomainen suutin täytettävään esineeseen.

Huomautus: Varmista aina, että vipu on yläasennossa, kun laitetta ei käytetä. Käytä täyttölaitteessa vain yleisventtiilin sovittinta tai mukana tulleita suuttimia.

Huomautus: Varmista, että yleiskäyttöisen venttiilin sovitin on tukevasti lukittu paikalleen, ennen kuin käynnistät täyttölaitteen.

Suuritehoinen letku (Kuva B)

- ◆ Poista suuritehoinen letku 7 säilytyskotelosta.
- ◆ Kohdista letkun urat 20 suuritehoinen pumpun täyttölaiteliännän (12) nuppeihin (21). Liu'uta sitten letku paikoilleen ja kiinnitä kiertämällä sitä vastapäivään.
- ◆ Irrota kiertämällä letkua myötäpäivään ja liu'uttamalla se pois.

Huomautus: Monissa ilmalla täytettävissä esineissä, etenkin ilmapaajoissa, on sisäinen läppä, joka estää ilman poistumisen täytön aikana. Jos suutin ei siirrä läppää, täytettävä esine ei täyty ilmalla. Paina suutin tukevasti kiinni venttiiliin, jotta läppä siirtyy pois tieltä.

Varoitus! Puhkeamisvaara. Liian suuri ilmanpaine voi aiheuttaa vaarallisen räjähdysten tai tapaturman vaaran. Tarkista täytettävän esineen valmistajan antama enimmäispainesuositus.

Huomautus: Jos täytettävän esineen enimmäispaineen arvo on yli 100 psi, huomaa, että laitteen enimmäiskäyttöaika on 10 minuuttia. Anna laitteen olla itsekseen 20 minuutin ajan, ennen kuin käytät sitä uudelleen.

Käyttö

Varoitus! Vakava henkilövahingon vaaran vähentämiseksi katkaise laitteesta virta ja irrota sen pistoke pistorasiasta ja poista akku ennen säätämistä tai varusteiden irrottamista/ asentamista. Jos laite käynnistyy vahingossa, seurauksena voi olla henkilövahinko.

Varoitus! Älä käytä täyttölaitetta auton moottorin käydessä.

Huomautus: Varmista, että 12 voltin lisälaiteliännästä saadun virtaa.

Joissakin ajoneuvoissa lisälaiteliittäntään tulee virtaa vain, kun virta on kytketty virta-avaimella.

Akun asentaminen ja poistaminen (Kuvat C, D)

Huomautus: Parhaiden tuloksien saavuttamiseksi on varmistettava, että akku on ladattu täyteen.

- ◆ Asenna akku akkuporttiin (15) kohdistamalla akku akkuportin sisällä oleviin uriin ja liu'uttamalla sen kahvaan, kunnes akku on hyvin paikoillaan työkalussa. Varmista, että akku pysyy paikoillaan.
- ◆ Voit poistaa akun työkalusta painamalla vapautuspainiketta (22) ja vetämällä akun ulos työkalun kahvasta. Laita se laturiin noudattamalla käyttöohjeen laturiosion ohjeita.

Käynnistäminen (Kuvat E, F)

Varoitus! Puhkeamisvaara. Älä jätä käynnissä olevaa laitetta ilman valvontaa. Jos renkaat tai muut esineet täytetään liian täyteen, seurauksena voi olla vakava henkilövahinko tai omaisuusvahinko.

Huomautus: Kun täyttölaitteeseen syötetään virtaa 12 V, 20 V akulla tai 230 V vaihtovirtalähteellä, LCD-näyttö jää päälle noin 10 minuutin ajaksi, minkä jälkeen se sammuu tai siirtyy unitilaan.

Tämä tapahtuu silloin, kun laitetta ei käytetä.

Järjestelmä voidaan käynnistää uudelleen painamalla painetilan / nollauspainiketta (5). Tällöin LCD-näyttö syttyy ja täyttölaitte on valmis käyttöä varten.

- ◆ Käytetty virtalähde tulee päättää ennen täyttölaitteen kytkemistä toimintaan: 12 V DC-sovitin, 230 V AC-pistoke tai 20 V MAX* -akku.
- ◆ Voit käyttää 12 V DC-sovitinta tai 20 V MAX* -akku painamalla laitteen etuosassa olevan AC/DC-virtakytkimen (1) DC-valintaan.
- ◆ Jos käytät 12 V DC-johtoa, pidennä 12 V DC-johto aina ennen kutakin käyttökertaa.
- ◆ Liitä 12 V DC-sovitin 14 ajoneuvon lisävarusteiden 12 V DC-pistokkeeseen.

Voit käyttää 230 V AC-johtoa painamalla laitteen etuosassa olevan AC/DC-kytkimen 1 AC-valintaan.

- ◆ Jos käytät 230 V AC-johtoa 13, pidennä johto aina ennen kutakin käyttökertaa.
- ◆ Liitä 230 V AC-pistoke 13 joko pistorasiaan tai pistorasiaan liitettyyn oikean kokoiseen jatkojohtoon.

Suuren tehon kytkeminen toimintaan

Suuritehoista letkua tulee käyttää esineisiin, jotka sisältävät suuria ilmamääriä (esim. patjat, kumilautat ja uima-altaan kellukkeet).

Huomautus: Suuritehoinen tila EI sisällä automaattista sammutustoimintaa.

- ◆ Kiinnitä suuritehoinen letku (7) suuritehoinen pumpun täyttölaiteliittäntään (12) osion "Suuritehoinen letku" ohjeita noudattamalla.
- ◆ Aseta suuritehoinen letku (7) tai sen kartiomainen suutin (8) täytettävään esineeseen.
- ◆ Paina tilan virtakytkimen (2) suuren paineen puolta, joka on merkitty ilmapatjan symbolilla.
- ◆ Kytke virta pois päältä painamalla virtakytkin keskiasentoon.

Suuren paineen kytkeminen toimintaan

Suuripaineinen letku on tarkoitettu käytettäväksi esineissä, jotka vaativat suurempaa ilmanpainetta (esim. renkaat ja koripallot).

- ◆ Ota suuripaineinen letku (10) esiin säilytyskotelosta.

- ◆ Liitä suutin osion "Yleiskäyttöisen venttiilin sovitin" ohjeita noudattaen.
- ◆ Aseta suutin täytettävään esineeseen.
- ◆ Paina tilan virtakytkimen (2) suuren paineen puolta, joka on merkitty renkaan symbolilla.
- ◆ Kytke virta pois päältä painamalla virtakytkin keskiasentoon.

Tyhjennä käyttäen suuritehoista letkua (Kuva H)

Varoitus! Varo sinkoavia esineitä. Tyhjentämisen aikana suuritehoisen pumpun täyttölaiteliitännästä (12) poistuu suuria ilmamääriä. Varmista, ettei yleiskäyttöisen venttiilin sovintina ole suunnattu henkilöihin tai mihinkään esineeseen.

- ◆ Poista suuritehoinen letku (7) esiin säilytyskotelosta.
- ◆ Kohdista letkun pää (23) suuritehoisen pumpun tyhjennysliitännänsä (11). Liu'uta letku sen jälkeen sisään niin, että se on hyvin paikoillaan.
- ◆ Aseta letku tai sen kartiomainen suutin (8) tyhjennettävään esineeseen.
- ◆ Paina kuvan G mukaisesti tilan virtakytkimen (2) suuren paineen puolta, joka on merkitty ilmapatjan symbolilla.
- ◆ Kytke virta pois päältä painamalla virtakytkin keskiasentoon.
- ◆ Irrota letku kiertämällä sitä myötäpäivään ja liu'uttamalla se pois.

Automaattisen pysäytyspaineen asettaminen

Huomautus: LCD-näyttö näyttää täyttöpaineet vain täyttölaitetta käytettäessä. Täyttö- ja pumppaustilassa laite näyttää akun lataustason.

- ◆ Valitse yksikkö (psi, bar tai kPa) painamalla painetilan painiketta (5), kunnes haluamasi yksikkö on näkyvässä.
- ◆ Paina - tai + paineen asetuspainikkeita (4), kunnes haluamasi paine näkyy näytössä.
- ◆ Kolmen sekunnin kuluttua näyttö vilkkuu, ja siihen palaa lukema "0.0". Tämä on normaalia.
- ◆ Kytke yleisventtiilin sovitin ja tarvittavat lisävarusteet täytettävään esineeseen ja varmista, että venttiilin sovittimen vipu on ala-asennossa niin, että sovitin on lukittu paikalleen.
- ◆ Käynnistä täyttölaitte painamalla tilan virtakytkin (2) renkaan symbolin puolelle.
- ◆ Kun täytettävän esineen paine saavuttaa esiasetetun arvon, laite sammuu automaattisesti. HUOMIO: Painearvo voi laskea muutaman sekunnin kuluttua. Tämä on normaalia.
- ◆ Voit pysäyttää täyttölaitteen milloin tahansa painamalla takana olevan virtapainikkeen keskiasentoon.

Huomautus: Kun AC/DC-virtakytkin kytetään pois päältä, kaikki asetukset menetetään ja ne on syötettävä uudelleen. Tämä turvatoiminto estää esineiden täyttämisen liian täyteen.

Täyttölaitteen käyttö painemittarina

- ◆ Liitä yleiskäyttöinen venttiilin sovitin (9) tarkistettavaan esineeseen.
- ◆ Paina tilan virtakytkin (2) renkaan symbolin puolelle.
- ◆ LCD-näytössä näkyy renkaan paine.
- ◆ Kun tarkistus on suoritettu, paina tilan virtakytkin (2) takaisin keskiasentoon ja aseta ilmaletku takaisin säilytyskoteloon.

Huolto

BLACK+DECKERin johdoton laite on suunniteltu toimimaan mahdollisimman pitkän aikaa mahdollisimman vähällä huollolla. Oikea käsittely ja säännöllinen puhdistus varmistavat laitteen ongelmattoman toiminnan.

Varoitus! Toimi ennen johdottomien laitteiden huoltoa seuraavasti:

- ◆ Jos akku on kiinteä, käytä akku täysin loppuun ja sammuta laite sitten.
- ◆ Irrota laturi pistorasiasta ennen laturin puhdistamista. Laturi ei tarvitse säännöllisen puhdistamisen lisäksi mitään muuta huoltoa.
- ◆ Puhdista laitteen/laturin ilma-aukot säännöllisesti pehmeällä harjalla tai kuivalla kangasliinalla.
- ◆ Puhdista moottorikotelo säännöllisesti kostealla liinalla. Älä käytä hankaavia tai liuotinpohjaisia puhdistusaineita.

Ympäristönsuojelu



Toimita tämä laite erilliskeräykseen. Tällä symbolilla merkityt tuotteet ja akut ei saa hävittää tavallisen kotitalousjätteen mukana.

Tuotteissa ja akuissa on materiaaleja, jotka voidaan ottaa talteen tai kierrättää uudelleen käyttöä varten.

Kierrätä sähkölaitteet ja akut paikallisten määräyksien mukaan. Lisätietoa on saatavilla osoitteessa

www.2helpU.com

Tekniset tiedot

		BDCINF18
Jännite		18V
Paino		2,0 kg (ilman akku)
Luokka		II
		BL1318
Akku*		
Jännite	V _{dc}	18
Teho	Ah	1,3
Tyyppi		Li-ion

Akku*		BL1518
Jännite	V _{dc}	18
Teho	Ah	1,5
Tyyppi		Li-Ion

Akku*		BL2018
Jännite	V _{dc}	18
Teho	Ah	2,0
Tyyppi		Li-Ion

Akku*		BL4018
Jännite	V _{dc}	18
Teho	Ah	4,0
Tyyppi		Li-Ion

Akku*		BL1554
Jännite	V _{dc}	18
Teho	mAh	2500
Tyyppi		Li-Ion

Akku*		BL2554
Jännite	V _{dc}	18
Teho	mAh	2500
Tyyppi		Li-Ion

Vaihtoehtoinen Bluetooth-akku*		BL1518ST	BL2018ST
Jännite	V _{dc}	18	18
Teho	Ah	1,5	2
Tyyppi		Li-Ion	Li-Ion

Laturi*		SSC-250040X
Syöttöjännite	V _{AC}	230
Lähtöjännite	V _{DC}	8 - 20
Virta	mA	400

* Ei kuulu pakkaukseen

Takuu

Black & Decker on vakuuttanut tuotteidensa korkeasta laadusta ja tarjoaa kuluttajille 24 kuukauden takuun, joka astuu voimaan ostopäivänä. Takuu on lisäksi kuluttajan laillisiin oikeuksiin eikä vaikuta niihin. Tämä takuu on voimassa kaikissa EU- ja ETA-maissa.

Edellytyksenä takuun saamiselle on, että vaade täyttää Black & Deckerin ehdot ja että ostaja toimittaa ostotositteen jälleennyjälle tai valtuutetulle huoltoliikkeelle. Black & Deckerin kahden vuoden takuun ehdot ja lähimmän valtuutetun korjauspalvelun yhteystiedot ovat saatavilla osoitteessa www.2helpU.com tai ottamalla yhteyttä paikalliseen Black & Deckerin toimipisteeseen tässä ohjekirjassa ilmoitettuihin osoitteisiin. Käy verkkosivuiltamme osoitteessa www.blackanddecker.fi ja rekisteröi uusi Black & Decker -tuotteesi saadaksesi tietoa uusista tuotteista ja erikoistarjouksista.

(Μετάφραση των πρωτότυπων οδηγιών)

ΕΛΛΗΝΙΚΑ

Προβλεπόμενη χρήση

Ο σταθμός φουσκώματος BLACK+DECKER BDCINF18 έχει σχεδιαστεί για χρήση χωρίς καλώδιο ή στα περισσότερα οχήματα από την κανονική πίεζα 12 V, για να φουσκώσετε ελαστικά αυτοκινήτων και δίτροχων, μπάλες, φουσκωτές βάρκες, στρώματα αέρα, φουσκωτά είδη πίσινας κλπ. Αυτό το εργαλείο προορίζεται μόνο για καταναλωτική χρήση.



Διαβάστε προσεκτικά όλο το περιεχόμενο αυτού του εγχειριδίου πριν χρησιμοποιήσετε τη συσκευή.

Οδηγίες ασφαλείας



Προειδοποίηση! Διαβάστε όλες τις προειδοποιήσεις ασφαλείας και όλες τις οδηγίες. Η μη τήρηση των παρακάτω προειδοποιήσεων και οδηγιών μπορεί να προκαλέσει ηλεκτροπληξία, πυρκαγιά και/ή σοβαρές σωματικές βλάβες.

- Η προβλεπόμενη χρήση περιγράφεται σε αυτό το εγχειρίδιο. Τόσο η χρήση αξεσουάρ ή προσαρτημάτων, όσο και η πραγματοποίηση με αυτή τη συσκευή οποιασδήποτε εργασίας, πέραν αυτών που συνιστώνται στο παρόν εγχειρίδιο οδηγιών, μπορεί να εγκυμονεί κίνδυνο σωματικών βλαβών.

- ♦ Φυλάξτε αυτό το εγχειρίδιο για μελλοντική αναφορά.
- ♦ Αυτή η συσκευή πρέπει να χρησιμοποιείται μόνο με τα πακέτα μπαταριών που αναφέρονται στο εγχειρίδιο για λειτουργία με μπαταρία.
- ♦ Αν το καλώδιο τροφοδοσίας έχει υποστεί ζημιά, για να αποφύγετε κινδύνους πρέπει να αντικατασταθεί από τον κατασκευαστή, τον αντιπρόσωπό του για τεχνική εξυπηρέτηση ή άλλα άτομα με παρόμοια εξουσιοδότηση.

Χρήση της συσκευής

- ♦ Μη χρησιμοποιείτε τη συσκευή για να περισυλλέξετε υγρά ή άλλα υλικά που θα μπορούσαν να πιάσουν φωτιά.
- ♦ Μη βυθίσετε τη συσκευή σε νερό.
- ♦ Ποτέ μην αποσυνδέετε το φορτιστή από την πρίζα τραβώντας τον από το καλώδιό του. Διατηρείτε το καλώδιο φορτιστή σε απόσταση από πηγές θερμότητας, λάδια και κοφτερές αιχμές.

Ασφάλεια τρίτων

- ♦ Αυτό το εργαλείο δεν προορίζεται για χρήση από άτομα (στα οποία περιλαμβάνονται και τα παιδιά) με μειωμένες φυσικές, αντιληπτικές ή διανοητικές ικανότητες ή άτομα χωρίς εμπειρία και γνώσεις, παρά μόνο εφόσον επιτηρούνται ή τους έχουν δοθεί οδηγίες σχετικά με τη χρήση του εργαλείου από άτομο υπεύθυνο για την ασφάλειά τους.

- ♦ Τα παιδιά θα πρέπει να βρίσκονται υπό επίβλεψη ώστε να διασφαλίζεται ότι δεν παίζουν με τη συσκευή.

Έλεγχος και επισκευές

Πριν από τη χρήση, ελέγξτε τη συσκευή σας για τυχόν εξαρτήματα που παρουσιάζουν ζημιά ή βλάβη. Ελέγξτε αν υπάρχουν σπασμένα εξαρτήματα, ζημιά σε διακόπτες και οτιδήποτε άλλο μπορεί να επηρεάσει τη λειτουργία της.

- ♦ Μη χρησιμοποιήσετε τη συσκευή αν οποιοδήποτε εξάρτημά της έχει υποστεί ζημιά ή βλάβη.
- ♦ Φροντίστε τα εξαρτήματα που παρουσιάζουν ζημιά ή βλάβη να επισκευαστούν ή αντικατασταθούν από εξουσιοδοτημένο αντιπρόσωπο επισκευών.
- ♦ Να ελέγχετε τακτικά την κατάσταση του καλωδίου του φορτιστή. Σε περίπτωση που το καλώδιο του φορτιστή παρουσιάζει ζημιά ή ελάττωμα, αντικαταστήστε το φορτιστή.
- ♦ Ποτέ μην επιχειρήσετε να αφαιρέσετε ή να αντικαταστήσετε οποιοδήποτε εξάρτημα, εκτός από αυτά που καθορίζονται στο παρόν εγχειρίδιο.

Πρόσθετες οδηγίες ασφαλείας

- ♦ Φουσκώστε ελαστικά ποδηλάτων, μπάλες, φουσκωτές βάρκες, φουσκωτά είδη πισίνας, στρώματα αέρα και πολλά άλλα στο σπίτι και γύρω από αυτό.

Ο συνιστώμενος μέγιστος κύκλος συνεχούς λειτουργίας στα 65 psi είναι 2 λεπτά ενεργοποιημένο εργαλείο και 5 λεπτά απενεργοποιημένο.

- ♦ Δεν είναι ασφαλές να εισπνέετε τον πεπιεσμένο αέρα του αεροσυμπιεστή. Ποτέ μην εισπνέετε αέρα από τον αεροσυμπιεστή ή από αναπνευστική συσκευή συνδεδεμένη με τον αεροσυμπιεστή.
- ♦ Η μεγάλη πίεση αέρα μπορεί να προκαλέσει “σκάσιμο”. Ελέγξτε τη μέγιστη ονομαστική πίεση που ορίζει ο κατασκευαστής για τα αντικείμενα που χρειάζονται φούσκωμα.
- ♦ Μην αφήνετε τον αεροσυμπιεστή να λειτουργεί χωρίς επιτήρηση. Μπορεί να προκαλέσει “σκάσιμο” των ελαστικών ή άλλων αντικειμένων.
- ♦ Χρησιμοποιείτε ένα μετρητή πίεσης ελαστικών για να ελέγχετε την πίεση των ελαστικών πριν από κάθε χρήση και κατά το φούσκωμα των ελαστικών για τη σωστή τους πίεση.
- ♦ Μην επιχειρήσετε να τροποποιήσετε ή να επισκευάσετε το εργαλείο. Ποτέ μην τρυπάτε, συγκολλάτε ή τροποποιείτε με οποιονδήποτε τρόπο τον αεροσυμπιεστή ή τα προσαρτήματά του.
- ♦ Χρησιμοποιείτε το εργαλείο μόνο με τα συμπεριλαμβανόμενα αξεσουάρ ή με τα εξαρτήματα χειρισμού αέρα που είναι εγκεκριμένα για πίεση όχι μικρότερη από 160 psi.

- ♦ Η χρήση οποιουδήποτε αξεσουάρ δεν συνιστάται για χρήση με αυτό το εργαλείο θα μπορούσε να είναι επικίνδυνη.
 - ♦ Ποτέ μην “παίζετε” με το εργαλείο. Ο αέρας υψηλής πίεσης είναι επικίνδυνος. Μην κατευθύνετε τη ροή του αέρα προς εσάς ή άλλους.
- Προειδοποίηση!** Αφήνετε πάντα το μοχλό προσαρμογέα βαλβίδας ανοικτό όταν δεν χρησιμοποιείται.
- ♦ Ο αεροσυμπιεστής μπορεί να θερμανθεί πολύ κατά τη χρήση. Αφήστε τον αεροσυμπιεστή να κρυώσει 30 λεπτά, πριν τον αποθηκεύσετε.

Μετά τη χρήση

- ♦ Αποσυνδέστε το φορτιστή από την πρίζα πριν τον καθαρίσετε.
- ♦ Όταν η συσκευή δεν χρησιμοποιείται, πρέπει να φυλάσσεται σε ξηρό χώρο.
- ♦ Τα παιδιά δεν πρέπει να έχουν πρόσβαση σε αποθηκευμένες συσκευές.

Υπολειπόμενοι κίνδυνοι

Κατά τη χρήση του εργαλείου μπορεί να δημιουργηθούν πρόσθετοι υπολειπόμενοι κίνδυνοι, οι οποίοι ενδέχεται να μη συμπεριλαμβάνονται στις προειδοποιήσεις ασφαλείας που εσωκλείονται. Αυτοί οι κίνδυνοι μπορεί να προκληθούν από κακή χρήση, παρατεταμένη χρήση κλπ.

Παρά την εφαρμογή των σχετικών κανονισμών ασφαλείας και τη χρήση διατάξεων ασφαλείας, ορισμένοι υπολειπόμενοι κίνδυνοι δεν είναι δυνατό να αποφευχθούν. Αυτοί περιλαμβάνουν:

- ♦ Τραυματισμούς από την επαφή με οποιαδήποτε περιστρεφόμενα/κινούμενα μέρη.
- ♦ Τραυματισμούς από αλλαγή οποιωνδήποτε εξαρτημάτων, λεπίδων ή αξεσουάρ.
- ♦ Τραυματισμούς από παρατεταμένη χρήση του εργαλείου. Όταν χρησιμοποιείτε οποιοδήποτε εργαλείο για παρατεταμένα χρονικά διαστήματα, μην παραλείπετε με κανένα τρόπο να κάνετε τακτικά διαλείμματα.
- ♦ Βλάβη της ακοής.
- ♦ Κινδύνους για την υγεία λόγω εισπνοής σκόνης που αναπτύσσεται κατά τη χρήση του εργαλείου (παράδειγμα:- εργασία με ξύλο, ειδικά βελανιδιά, οξιά και MDF.)

Μπαταρίες

- ♦ Ποτέ μην επιχειρήσετε να ανοίξετε το προϊόν για κανένα λόγο.
- ♦ Μην εκθέτετε την μπαταρία σε νερό.
- ♦ Μην αποθηκεύετε σε τοποθεσίες όπου η θερμοκρασία ενδέχεται να υπερβαίνει τους 40 °C.
- ♦ Να φορτίζετε μόνο σε θερμοκρασίες περιβάλλοντος μεταξύ 10 °C και 40 °C.
- ♦ Να φορτίζετε μόνο με τη χρήση του φορτιστή που παρέχεται με το εργαλείο.

- ♦ Εάν πρόκειται να αποθηκεύσετε τη συσκευή για μεγάλο χρονικό διάστημα χωρίς χρήση, θα πρέπει να αφαιρέσετε τις μπαταρίες.
- ♦ Όταν απορρίπτετε τις μπαταρίες, ακολουθήστε τις οδηγίες που δίνονται στην ενότητα “Προστασία του περιβάλλοντος”.



Μην επιχειρήσετε να φορτίσετε μπαταρίες που έχουν υποστεί ζημιά.

Φορτιστές

- ♦ Ο φορτιστής BLACK+DECKER πρέπει να χρησιμοποιείται αποκλειστικά και μόνο για τη φόρτιση της μπαταρίας του εργαλείου το οποίο συνοδεύει. Άλλες μπαταρίες ενδέχεται να εκραγούν, προκαλώντας τραυματισμό ατόμων και ζημιές.
- ♦ Μην επιχειρήσετε ποτέ να φορτίσετε μη επαναφορτιζόμενες μπαταρίες.
- ♦ Αν κάποιο καλώδιο φθαρεί, αντικαταστήστε το αμέσως.
- ♦ Μην εκθέτετε το φορτιστή σε νερό.
- ♦ Μην ανοίγετε το φορτιστή.
- ♦ Μην εισάγετε οποιαδήποτε αντικείμενα μέσα στο φορτιστή.

Ασφαλής χρήση ηλεκτρικού ρεύματος

Σύμβολα επάνω στο φορτιστή

- ❏ Πριν χρησιμοποιήσετε τη συσκευή διαβάστε προσεκτικά ολόκληρο το εγχειρίδιο.



Αυτό το εργαλείο φέρει διπλή μόνωση και επομένως δεν απαιτείται αγωγός γείωσης. Ελέγχετε πάντα ότι η παροχή ρεύματος αντιστοιχεί στην τάση που αναφέρεται στην πινακίδα στοιχείων.



Ο φορτιστής προορίζεται για χρήση σε εσωτερικούς χώρους μόνο.

Ετικέτες πάνω στη συσκευή

Αυτή η συσκευή φέρει τα παρακάτω προειδοποιητικά σύμβολα μαζί με τον κωδικό ημερομηνίας.



Προειδοποίηση! Για να μειωθεί ο κίνδυνος τραυματισμού, ο χρήστης πρέπει να διαβάσει το εγχειρίδιο οδηγιών.



Μην εκθέτετε τη συσκευή σε βροχή ή υψηλά επίπεδα υγρασίας.



Πριν πραγματοποιήσετε οποιαδήποτε συντήρηση ή καθαρισμό στη συσκευή, αποσυνδέστε το καλώδιο τροφοδοσίας.



Μην αφήνετε τον αεροσυμπιεστή χωρίς επίβλεψη.



Συσκευή κατηγορίας II

Χαρακτηριστικά

Αυτό το εργαλείο διαθέτει μερικά από ή όλα τα παρακάτω χαρακτηριστικά.

1. Διακόπτη τροφοδοσίας AC/DC
2. Διακόπτη τροφοδοσίας τρόπου λειτουργίας
3. LCD
4. Κουμπιά ρύθμισης πίεσης
5. Κουμπί λειτουργίας πίεσης / επαναφοράς
6. Λαβή
7. Εύκαμπτος σωλήνας μεγάλου όγκου
8. Κωνικό ακροφύσιο
9. Γενικής χρήσης προσαρμογέας βαλβίδας
10. Εύκαμπτος σωλήνας υψηλής πίεσης
11. Σύνδεση ξεφουσκώματος αντλίας μεγάλου όγκου
12. Σύνδεση αεροσυμπιεστή αντλίας μεγάλου όγκου
13. Καλώδιο AC 230V
14. Φις 12 V DC οχήματος
15. Υποδοχή μπαταρίας 18V MAX*
16. Βελονοειδής βαλβίδα αεροσυμπιεστή
17. Μπρούτζινο προσαρμογέας σύνδεσης
18. Κωνικό ακροφύσιο

Συναρμολόγηση

Φύλαξη καλωδίου 12V DC

- ◆ Τυλίξτε το καλώδιο 12 V DC γύρω από το εξάρτημα συγκράτησης καλωδίου που βρίσκεται στη βάση του αεροσυμπιεστή και κουμπώστε το φις 12 V DC (14) στη θέση φύλαξης του πάνω στο εξάρτημα συγκράτησης καλωδίου.

Φύλαξη εύκαμπτου σωλήνα αέρα

- ◆ Ο εύκαμπτος σωλήνας υψηλής πίεσης (10) βρίσκεται σε ένα κανάλι αποθήκευσης γύρω από την πρόσωση της μονάδας. Τυλίξτε τον εύκαμπτο σωλήνα υψηλής πίεσης μέσα στο κανάλι.

Φύλαξη εύκαμπτου σωλήνα μεγάλου όγκου

- ◆ Ο εύκαμπτος σωλήνας μεγάλου όγκου (7) βρίσκεται μέσα σε ένα κανάλι φύλαξης γύρω από το πίσω μέρος της μονάδας. Τυλίξτε τον εύκαμπτο σωλήνα μεγάλου όγκου μέσα στο κανάλι.

Φύλαξη των αξεσουάρ

- ◆ Τα αξεσουάρ (16) (17) (18) φυλάσσονται στην πίσω πλευρά της μονάδας μέσα στο χώρο φύλαξης αξεσουάρ.

Τοποθέτηση των αξεσουάρ

Γενικής χρήσης προσαρμογέας βαλβίδας (Εικ. Α)

- ◆ Ο αεροσυμπιεστής συνοδεύεται από τον κανονικό κωνικό ακροφύσιο (18), έναν μπρούτζινο σύνδεσμο (17) και τη βελονοειδή βαλβίδα (16) που βρίσκονται στην πίσω πλευρά της μονάδας.

- ◆ Για να χρησιμοποιήσετε τον γενικής χρήσης προσαρμογέα βαλβίδας (9), βεβαιωθείτε ότι ο μοχλός είναι στην πάνω θέση.
- ◆ Τοποθετήστε τον προσαρμογέα βαλβίδας πάνω από το στέλεχος του προσαρμογέα βελονοειδούς βαλβίδας ή του κωνικού ακροφυσίου.
- ◆ Πιέστε προς τα κάτω το μοχλό (19) του γενικής χρήσης προσαρμογέα βαλβίδας για να ασφαλίσει στη θέση του.
- ◆ Τοποθετήστε τη βελονοειδή βαλβίδα αεροσυμπιεστή, τον προσαρμογέα μπρούτζινου συνδέσμου ή του κωνικού ακροφύσιο μέσα στο αντικείμενο που θέλετε να φουσκώσετε.

Σημείωση: Να βεβαιώνετε πάντα ότι ο μοχλός είναι στην επάνω θέση όταν δεν χρησιμοποιείται. Χρησιμοποιείτε τον αεροσυμπιεστή μόνο με τον γενικής χρήσης προσαρμογέα βαλβίδας ή με τα ακροφύσια που περιλαμβάνονται.

Σημείωση: Πριν ενεργοποιήσετε τον αεροσυμπιεστή, βεβαιωθείτε ότι ο γενικής χρήσης προσαρμογέας βαλβίδας είναι ασφαλισμένος σταθερά στη θέση του.

Εύκαμπτος σωλήνας μεγάλου όγκου (Εικ. Β)

- ◆ Αφαιρέστε τον εύκαμπτο σωλήνα μεγάλου όγκου (7) από τη θέση φύλαξης του.
- ◆ Ευθυγραμμίστε τις εγκοπές (20) του εύκαμπτου σωλήνα με τις προεξοχές (21) της σύνδεσης αεροσυμπιεστή αντλίας μεγάλου όγκου (12). Κατόπιν, κινήστε τον εύκαμπτο σωλήνα προς τη σύνδεση και περιστρέψτε τον αριστερόστροφα για να τον ασφαλίσετε.
- ◆ Για να αφαιρέσετε τον εύκαμπτο σωλήνα, περιστρέψτε τον δεξιόστροφα και τραβήξτε τον για να βγει.

Σημείωση: Πολλά από τα αντικείμενα που μπορείτε να φουσκώσετε, ειδικά τα στρώματα αέρα, διαθέτουν ένα εσωτερικό περύγιο που αποτρέπει την απώλεια αέρα κατά το φούσκωμα. Αν δεν μετακινήσετε το περύγιο με το στόμιο αέρα, το φουσκωτό δε θα φουσκώσει. Σπρώξτε δυνατά το ακροφύσιο μέσα στη βαλβίδα για να βεβαιωθείτε ότι εκτοπίζετε και το περύγιο.

Προειδοποίηση! Κίνδυνος “σκασίματος”. Η υπερβολική πίεση αέρα μπορεί να προκαλέσει κίνδυνο “σκασίματος” ή τραυματισμού ατόμων. Ελέγξτε τη μέγιστη ονομαστική πίεση που ορίζει ο κατασκευαστής των αντικειμένων που χρειάζονται φούσκωμα.

Σημείωση: Αν η ονομαστική πίεση του αντικείμενου που φουσκώνετε είναι πάνω από 100 psi, έχετε υπόψη σας ότι ο μέγιστος χρόνος λειτουργίας είναι 10 λεπτά - αφήστε να περάσουν 20 λεπτά πριν επαναλάβετε τη χρήση.

Λειτουργία

Προειδοποίηση! Για να μειώσετε τον κίνδυνο σοβαρού τραυματισμού, απενεργοποιήστε τη μονάδα και αποσυνδέστε την από την πηγή ρεύματος και αφαιρέστε το πακέτο μπαταρίας πριν κάνετε οποιεσδήποτε ρυθμίσεις ή πριν αφαιρέσετε/τοποθετήσετε προσαρτήματα ή αξεσουάρ.

Μια αθλήτη εκκίνηση μπορεί να προκαλέσει τραυματισμό. **Προειδοποίηση!** Μη χρησιμοποιήσετε τον αεροσυμπιεστή με τον κινητήρα του αυτοκινήτου σε λειτουργία.

Σημείωση: Βεβαιωθείτε ότι η πρίζα αξεσουάρ 12 V έχει ρεύμα.

Σε ορισμένα οχήματα η υποδοχή αναπήρα έχει ρεύμα μόνο όταν το κλειδί βρίσκεται στη θέση τροφοδοσίας αξεσουάρ.

Τοποθέτηση και αφαίρεση του πακέτου μπαταρίας (Εικ. C, D)

Σημείωση: Για τα καλύτερα αποτελέσματα, να βεβαιώνετε ότι το πακέτο μπαταρίας είναι πλήρως φορτισμένο.

- ◆ Για να εγκαταστήσετε το πακέτο μπαταρίας μέσα στην υποδοχή μπαταρίας (15), ευθυγραμμίστε το πακέτο μπαταρίας με τις ράγες μέσα στην υποδοχή μπαταρίας και εισάγετέ το στην υποδοχή έως ότου το πακέτο μπαταρίας έχει εδράσει πλήρως στο εργαλείο και βεβαιωθείτε ότι δεν μπορεί να αποσυμπληχτεί.
- ◆ Για να αφαιρέσετε το πακέτο μπαταρίας από το εργαλείο, πατήστε το κουμπί απελευθέρωσης (22) και τραβήξτε σταθερά το πακέτο μπαταρίας έξω από τη λαβή του εργαλείου. Εισάγετε το μέσα στο φορτιστή όπως περιγράφεται στο τμήμα περί φορτιστή του παρόντος εγχειριδίου.

Ενεργοποίηση (Εικ. E, F)

Προειδοποίηση! Κίνδυνος “σκασίματος”. Μην αφήνετε τη μονάδα να λειτουργεί χωρίς επιτήρηση. Το υπερβολικό φούσκωμα των ελαστικών ή άλλων αντικειμένων θα μπορούσε να έχει ως αποτέλεσμα σοβαρό τραυματισμό και υλικές ζημιές.

Σημείωση: Όταν ο αεροσυμπιεστής τροφοδοτηθεί είτε με ρεύμα 12 V, είτε από την μπαταρία 20 V είτε με ρεύμα 230 V AC, η οθόνη ενδείξεων LCD θα παραμείνει αναμμένη για περίπου 10 λεπτά και μετά θα σβήσει/θα μεταβεί σε λειτουργία ύπνου.

Αυτό συμβαίνει όταν δεν λειτουργεί η μονάδα.

Για να αφυπνίσετε το σύστημα, ο χρήστης θα χρειαστεί να πατήσει το κουμπί λειτουργίας πίεσης / επαναφοράς (5). Τότε η οθόνη LCD θα

ενεργοποιηθεί και ο αεροσυμπιεστής είναι έτοιμος για χρήση.

- ◆ Πριν ενεργοποιήσετε τον αεροσυμπιεστή, αποφασίστε ποια πηγή ρεύματος θα χρησιμοποιήσετε: προσαρμογέα 12 V DC, φις 230 V AC ή πακέτο μπαταρίας 20 V MAX*.
- ◆ Για να χρησιμοποιήσετε τον προσαρμογέα 12 V DC ή το πακέτο μπαταρίας 20 V MAX*, πιέστε στη θέση DC το δικακόπητ τροφοδοσίας AC/DC (1) που βρίσκεται στην μπροστινή πλευρά της μονάδας.
- ◆ Αν χρησιμοποιείτε το καλώδιο 12 V DC, πάντα να εκτείνετε πλήρως το καλώδιο 12 V DC πριν από κάθε χρήση.
- ◆ Συνδέστε τον προσαρμογέα 12V DC (14) στην πρίζα αξεσουάρ 12 V DC του οχήματός σας.

Για να χρησιμοποιήσετε το καλώδιο 230 V DC, πιέστε στη θέση AC το διακόπτη τροφοδοσίας AC/DC (1) που βρίσκεται στην μπροστινή πλευρά της μονάδας.

- ◆ Αν χρησιμοποιείτε το καλώδιο 230 V AC (13) πάντα να εκτείνετε πλήρως το καλώδιο πριν από κάθε χρήση.
 - ◆ Συνδέστε το φως 230 V AC (13) είτε σε πρίζα τοίχου ή σε κατάλληλα διαστασιοποιημένο καλώδιο επέκτασης το οποίο έχει συνδεθεί σε πρίζα τοίχου.

Για να ενεργοποιήσετε τη λειτουργία μεγάλου όγκου

Ο εύκαμπτος σωλήνας μεγάλου όγκου προορίζεται για χρήση με αντικείμενα που δέχονται μεγάλες ποσότητες αέρα, όπως στρώματα αέρα, φουσκωτές βάρκες και φουσκωτά είδη πισίνας.

Σημείωση: Η λειτουργία μεγάλου όγκου ΔΕΝ διαθέτει τη λειτουργία αυτόματης απενεργοποίησης.

- ◆ Συνδέστε τον εύκαμπτο σωλήνα μεγάλου όγκου (7) στη σύνδεση αεροσυμπιεστή αντλίας μεγάλου όγκου (12) όπως περιγράφεται στην ενότητα "Εύκαμπτος σωλήνας μεγάλου όγκου".
- ◆ Εισάγετε τον εύκαμπτο σωλήνα (7) ή το κωνικό του ακροφύσιο (8) στο αντικείμενο που θέλετε να φουσκώσετε.
- ◆ Πιέστε την πλευρά μεγάλου όγκου του διακόπτη τροφοδοσίας τρόπου λειτουργίας (2), που υποδεικνύεται από το σύμβολο στρώματος αέρα.
- ◆ Για απενεργοποίηση, πιέστε το γενικό διακόπτη ώστε να επανέλθει στη μεσαία θέση.

Για να ενεργοποιήσετε τη λειτουργία υψηλής πίεσης

Ο εύκαμπτος σωλήνας υψηλής πίεσης προορίζεται για χρήση με αντικείμενα που χρειάζονται μεγαλύτερη πίεση αέρα, όπως ελαστικά και μπάλες μπάσκετ.

- ◆ Αφαιρέστε τον εύκαμπτο σωλήνα υψηλής πίεσης (10) από τη θέση φύλαξής του.
- ◆ Συνδέστε ένα ακροφύσιο όπως περιγράφεται στην ενότητα "Γενικής χρήσης προσαρμογέας βαλβίδας".
- ◆ Εισάγετε το ακροφύσιο μέσα στο αντικείμενο που θέλετε να φουσκώσετε.
- ◆ Πιέστε την πλευρά υψηλής πίεσης του διακόπτη τροφοδοσίας τρόπου λειτουργίας (2), που υποδεικνύεται από το σύμβολο ελαστικού.
- ◆ Για απενεργοποίηση, πιέστε το γενικό διακόπτη ώστε να επανέλθει στη μεσαία θέση.

Ξεφούσκωμα με χρήση του εύκαμπτου σωλήνα μεγάλου όγκου (Εικ. Η)

Προειδοποίηση! Προσέχετε για παράσυρση αντικειμένων.

Κατά το ξεφούσκωμα, από τη σύνδεση αεροσυμπιεστή αντλίας μεγάλου όγκου (12) μπορούν να εξέλθουν μεγάλες ποσότητες αέρα.

Βεβαιωθείτε ότι ο γενικής χρήσης προσαρμογέας βαλβίδας δεν έχει κατευθυνθεί προς οποιονδήποτε ή οτιδήποτε.

- ◆ Αφαιρέστε τον εύκαμπτο σωλήνα μεγάλου όγκου (7) από τη θέση φύλαξής του.
- ◆ Ευθυγραμμίστε το άκρο (23) του εύκαμπτου σωλήνα με τη σύνδεση (11) ξεφουσκώματος της αντλίας μεγάλου όγκου. Κατόπιν εισάγετε σταθερά τον εύκαμπτο σωλήνα ώστε να έχει στερεωθεί με ασφάλεια στη θέση του.
- ◆ Εισάγετε τον εύκαμπτο σωλήνα ή το κωνικό του ακροφύσιο (8) στο αντικείμενο που θέλετε να ξεφουσκώσετε.
- ◆ Πιέστε την πλευρά μεγάλου όγκου του διακόπτη τροφοδοσίας τρόπου λειτουργίας (2), όπως φαίνεται στην εικόνα G, που υποδεικνύεται από το σύμβολο στρώματος αέρα.
- ◆ Για απενεργοποίηση, πιέστε το γενικό διακόπτη ώστε να επανέλθει στη μεσαία θέση.
- ◆ Για να αφαιρέσετε τον εύκαμπτο σωλήνα, περιστρέψτε τον δεξιόστροφα και τραβήξτε τον για να βγει.

Ρύθμιση της πίεσης αυτόματης διακοπής

Σημείωση: Η οθόνη LCD θα δείχνει τιμές πίεσης φουσκώματος μόνον όταν χρησιμοποιείται ο αεροσυμπιεστής. Αν είναι ενεργή και η λειτουργία φουσκώματος και η λειτουργία αντλίας, η μονάδα θα δείχνει την κατάσταση της μπαταρίας.

- ◆ Για εναλλαγή μεταξύ των διαφορετικών μονάδων (psi, bar ή kPa), πιέστε το κουμπί λειτουργίας πίεσης (5) έως ότου εμφανιστούν οι επιθυμητές μονάδες.
- ◆ Πιέστε τα κουμπιά ρύθμισης πίεσης - ή + (4) έως ότου εμφανιστεί η επιθυμητή πίεση.
- ◆ Μετά από 3 δευτερόλεπτα η οθόνη θα αναβοσβήσει και θα επανέλθει σε μια ένδειξη "0.0". Κάτι τέτοιο είναι φυσιολογικό.
- ◆ Συνδέστε τον γενικής χρήσης προσαρμογέα βαλβίδας και τα αξεσουάρ, εάν χρειάζονται, στο προς φούσκωμα αντικείμενο, εξασφαλίζοντας ότι ο μοχλός του προσαρμογέα βαλβίδας είναι στην κάτω θέση για να ασφαλίσει στη θέση του.
- ◆ Για να θέσετε σε λειτουργία τον αεροσυμπιεστή, πιέστε το διακόπτη τροφοδοσίας τρόπου λειτουργίας (2) προς την πλευρά του συμβόλου ελαστικού.
- ◆ Όταν το προς φούσκωμα αντικείμενο επιτύχει την προκαθορισμένη τιμή η συσκευή θα απενεργοποιηθεί αυτόματα. ΣΗΜΕΙΩΣΗ: Μπορεί να παρατηρήσετε ότι η ένδειξη πραγματικής πίεσης ίσως μειωθεί μετά από λίγα δευτερόλεπτα. Κάτι τέτοιο είναι φυσιολογικό.
- ◆ Για να σταματήσετε οποιαδήποτε στιγμή τη λειτουργία του αεροσυμπιεστή, πατήστε το γενικό διακόπτη ώστε να επανέλθει στη μεσαία του θέση.

Σημείωση: Αν απενεργοποιηθεί ο διακόπτης τροφοδοσίας AC/DC, όλες οι ρυθμίσεις θα χαθούν και θα χρειαστεί να τις καταχωρίσετε πάλι.

Αυτό είναι ένα χαρακτηριστικό ασφαλείας για την αποτροπή του κινδύνου υπερβολικού φουσκώματος αντικειμένων.

Χρήση του αεροσυμπιεστή ως μετρητή πίεσης

- ◆ Συνδέστε τον γενικής χρήσης προσαρμογέα βαλβίδας (9) στο αντικείμενο που θέλετε να ελέγξετε.
- ◆ Πιέστε το διακόπτη τροφοδοσίας τρόπου λειτουργίας (2) προς την πλευρά του συμβόλου ελαστικού.
- ◆ Η οθόνη LCD θα εμφανίσει την πίεση του αντικειμένου που μετράται.
- ◆ Μετά τον έλεγχο, πιέστε το διακόπτη τροφοδοσίας τρόπου λειτουργίας (2) ώστε να επιστρέψει στη μεσαία θέση και επανατοποθετήστε τον εύκαμπτο σωλήνα αέρα στη θέση φύλαξης του.

Συντήρηση

Αυτή η συσκευή μπαταρίας της BLACK+DECKER έχει σχεδιαστεί έτσι ώστε να λειτουργεί για μεγάλο χρονικό διάστημα με την ελάχιστη δυνατή συντήρηση. Η συνεχής ικανοποιητική λειτουργία εξαρτάται από τη σωστή φροντίδα και τον τακτικό καθαρισμό του εργαλείου.

Προειδοποίηση! Πριν πραγματοποιήσετε οποιαδήποτε συντήρηση σε συσκευές που λειτουργούν με μπαταρία:

- ◆ Χρησιμοποιήστε τη μπαταρία μέχρι να αδειάσει εντελώς αν είναι ενσωματωμένη και στη συνέχεια απενεργοποιήστε τη συσκευή.
- ◆ Αποσυνδέστε το φορτιστή από την πρίζα πριν τον καθαρίσετε. Ο φορτιστής σας δεν χρειάζεται καμία άλλη συντήρηση πέραν του τακτικού καθαρισμού.
- ◆ Να καθαρίζετε τακτικά τις εγχοπές εξαιρισμού της συσκευής/του φορτιστή με μαλακή βούρτσα ή στεγνό πανί.
- ◆ Να καθαρίζετε τακτικά το περίβλημα του μοτέρ με ένα υγρό πανί. Μη χρησιμοποιείτε λειαντικά καθαριστικά ή υγρά καθαρισμού που περιέχουν διαλυτικά.

Προστασία του περιβάλλοντος



Χωριστή συλλογή. Τα προϊόντα και οι μπαταρίες που επισημαίνονται με αυτό το σύμβολο δεν πρέπει να απορρίπτονται μαζί με τα κανονικά οικιακά απορρίμματα.

Τα προϊόντα και οι μπαταρίες περιέχουν υλικά που μπορούν να ανακτηθούν ή να ανακυκλωθούν ώστε να μειωθούν οι ανάγκες για πρώτες ύλες.

Παρακαλούμε να ανακυκλώνετε τα ηλεκτρικά προϊόντα και τις μπαταρίες σύμφωνα με τους τοπικούς κανονισμούς. Περισσότερες πληροφορίες διατίθενται στον ιστότοπο www.2helpU.com

Τεχνικά δεδομένα

BDCINF18	
Τάση	18V
Βάρος	2,0 kg (χωρίς μπαταρίες)
Κλάση	II

Μπαταρία*		BL1318
Τάση	V _{dc}	18
Χωρητικότητα	Ah	1.3
Τύπος	Ιόντων λιθίου	

Μπαταρία*		BL1518
Τάση	V _{dc}	18
Χωρητικότητα	Ah	1.5
Τύπος	Ιόντων λιθίου	

Μπαταρία*		BL2018
Τάση	V _{dc}	18
Χωρητικότητα	Ah	2.0
Τύπος	Ιόντων λιθίου	

Μπαταρία*		BL4018
Τάση	V _{dc}	18
Χωρητικότητα	Ah	4.0
Τύπος	Ιόντων λιθίου	

Μπαταρία*		BL1554
Τάση	V _{dc}	18
Χωρητικότητα	mAh	2500
Τύπος	Ιόντων λιθίου	

Μπαταρία*		BL2554
Τάση	V _{dc}	18
Χωρητικότητα	mAh	2500
Τύπος	Ιόντων λιθίου	

Εναλλακτικό πακέτο μπαταρίας Bluetooth*	BL1518ST	BL2018ST
Τάση	V _{dc}	18
Χωρητικότητα	Ah	1.5
Τύπος	Ιόντων λιθίου	Ιόντων λιθίου

Φορτιστής*		SSC-250040X
Τάση εισόδου	V_{AC}	230
Τάση εξόδου	V_{DC}	8 - 20
Ρεύμα	mA	400

* Δεν παρέχεται μαζί με τη μονάδα

Εγγύηση

Η Black & Decker είναι σίγουρη για την ποιότητα των προϊόντων της και προσφέρει στους καταναλωτές εγγύηση 24 μηνών από την ημερομηνία αγοράς. Αυτή η εγγύηση συμπληρώνει και με κανένα τρόπο δεν παραβιάζει τα νόμιμα δικαιώματά σας. Η εγγύηση ισχύει εντός της επικράτειας των χωρών μελών της Ευρωπαϊκής Ένωσης και της Ευρωπαϊκής Ζώνης Ελεύθερων Συναλλαγών.

Για να υποβάλετε αξίωση βάσει της εγγύησης, η αξίωση θα πρέπει να είναι σύμφωνη με τους Όρους και προϋποθέσεις της Black & Decker και θα χρειαστεί να υποβάλετε απόδειξη αγοράς στον πωλητή ή σε εξουσιοδοτημένο αντιπρόσωπο επισκευών. Μπορείτε να αποκτήσετε τους Όρους και προϋποθέσεις της εγγύησης 2 ετών της Black & Decker και να μάθετε την τοποθεσία του πλησιέστερου εξουσιοδοτημένου αντιπροσώπου επισκευών στο Internet στο www.2helpU.com, ή επικοινωνώντας με το τοπικό σας γραφείο Black & Decker στη διεύθυνση που υποδεικνύεται στο παρόν εγχειρίδιο.

Παρακαλούμε επισκεφθείτε την ιστοσελίδα μας www.blackanddecker.gr για να καταχωρίσετε το νέο σας προϊόν Black & Decker και για να ενημερώνεστε για τα νέα προϊόντα και τις ειδικές προσφορές.

België/Belgique/Luxembourg www.blackanddecker.be enduser.be@sbdinc.com	Stanley Black & Decker Belgium BVBA Egide Walschaertsstraat 16 2800 Mechelen	Tel. NL +32 15 47 37 65 Tel. FR +32 15 47 37 66 Fax. +32 15 47 37 99
Danmark	Black & Decker Roskildevej 22 2620 Albertslund	kundeservice.dk@sbdinc.com www.blackanddecker.dk
Deutschland www.blackanddecker.de infobfge@sdbinc.com	Stanley Black & Decker Deutschland GmbH Black & Decker Str. 40, D - 65510 Idstein	Tel. 06126 21-0 Fax 06126 21-2980
Ελλάδα www.blackanddecker.gr greece.service@sbdinc.com	Stanley Black & Decker (ΕΛΛΑΣ) Ε.Π.Ε ΓΡΑΦΕΙΑ: Σπύριδωνος 7 & Βουλιαγμένης 166 74 Γλυφάδα - Αθήνα	Τηλ. 210-8981616 Φαξ 210-8983570
SERVICE:	Ημερος Τόπος 2 -Χάνι Αδάμ 193 00 Ασπρόπυργος - Αθήνα	Τηλ. Service 210-8985208 Φαξ 210-5597598
España www.blackanddecker.es respuesta.posventa@sbdinc.com	Stanley Black & Decker Ibérica, S.C.A. Parc de Negocis "Mas Blau" Edificio Muntadas, c/Bergadá, 1, Of. A6 08820 El Prat de Llobregat (Barcelona)	Tel. 934 797 400 Fax 934 797 419
France www.blackanddecker.fr	Black & Decker (France) S.A.S. 5 allée des Hêtres B.P. 30084 69579 Limonest Cédex	Tel. 04 72 20 39 20 Fax 04 72 20 39 00
Helvetia www.blackanddecker.ch service@rofoag.ch	ROFO AG Gewerbezone Seeblick 3213 Kleinbösingen	Tel. 026-6749393 Fax 026-6749394
Italia www.blackanddecker.it service.italia@sbdinc.com	Stanley Black & Decker Italia Via Energypark 6 20871 Vimercate (MB)	Tel. 039-9590200 Fax 039-9590313 Numero verde 800-213935
Nederland www.blackanddecker.nl enduser.nl@sbdinc.com	Stanley Black & Decker Netherlands BV Holtum Noordweg 35, 6121 RE BORN Postbus 83, 6120 AB BORN	Tel. +31 164 283 065 Fax +31 164 283 200
Norge	Black & Decker Postboks 4613, Nydalen 0405 Oslo	kundeservice.no@sbdinc.com www.blackanddecker.no
Österreich www.blackanddecker.at service.austria@sbdinc.com	Stanley Black & Decker Austria GmbH Oberlaaerstraße 248, A-1230 Wien	Tel. 01 66116-0 Fax 01 66116-614
Portugal www.blackanddecker.pt resposta.posvenda@sbdinc.com	Black & Decker Limited SARL Quinta da Fonte - Edifício Q55 D, Diniz Rua dos Malhões, 2 e 2A - Piso 2 Esquerdo 2770 - 071 Paço de Arcos	Tel. 214667500 Fax 214667580
Suomi	Black & Decker PL47 00521, Helsinki	asiakaspalvelu.fi@sbdinc.com www.blackanddecker.fi
Sverige	Black & Decker AB Box 94, 431 22 Mölndal	kundservice.se@sbdinc.com www.blackanddecker.se
Türkiye www.blackanddecker.com.tr	KALE Hırdavat ve Makina A.Ş. Deftardar Mah. Savaklar Cad. No:15 Edirnekapı / Eyüp / İstanbul 34050	Tel. 0212 533 52 55 Fax. 0212 533 10 05
United Kingdom & Republic Of Ireland www.blackanddecker.co.uk emeaservice@sbdinc.com	Black & Decker 210 Bath Road Slough, Berkshire SL1 3YD	Tel. 01753 511234 Fax 01753 512365
Middle East & Africa www.blackanddecker.ae service.mea@sbdinc.com	Black & Decker P.O.Box - 17164 Jebel Ali Free Zone (South), Dubai, UAE	Tel. +971 4 8863030 Fax +971 4 8863333