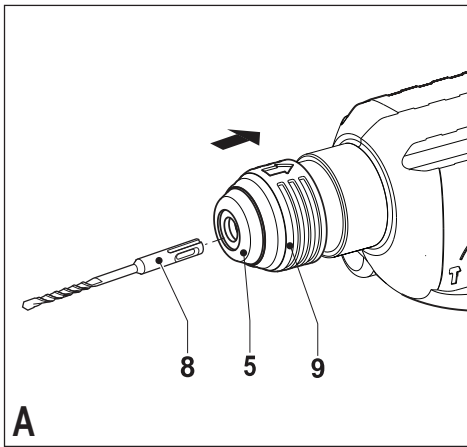
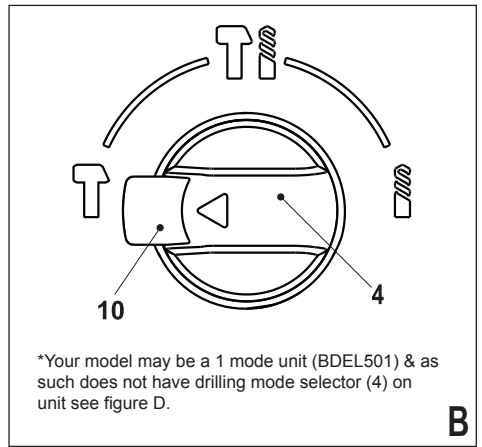


|                     |  |           |
|---------------------|--|-----------|
| <b>English</b>      | <b>(Original instructions)</b>                       | <b>3</b>  |
| <b>Русский язык</b> | <b>(Перевод с оригинала инструкции)</b>              | <b>9</b>  |
| <b>Türkçe</b>       | <b>(Çevirisi orijinal talimatlardan yapılmıştır)</b> | <b>21</b> |

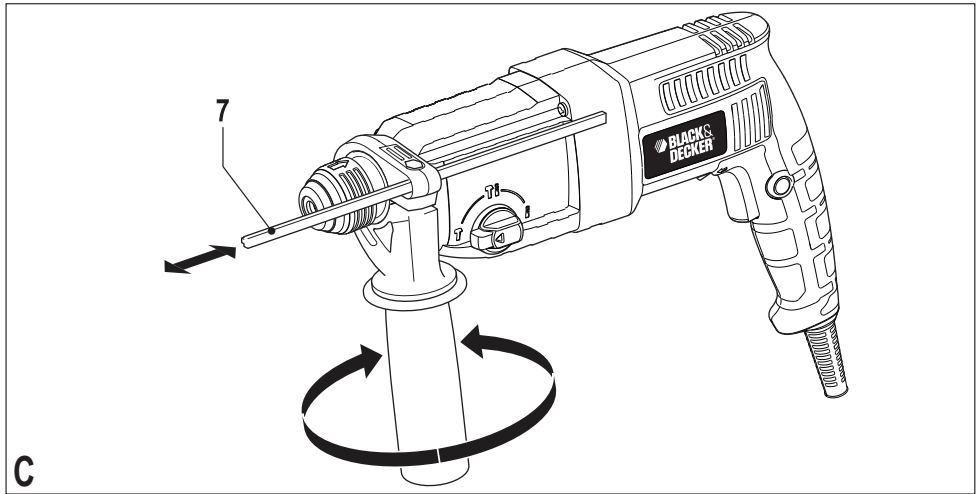


A



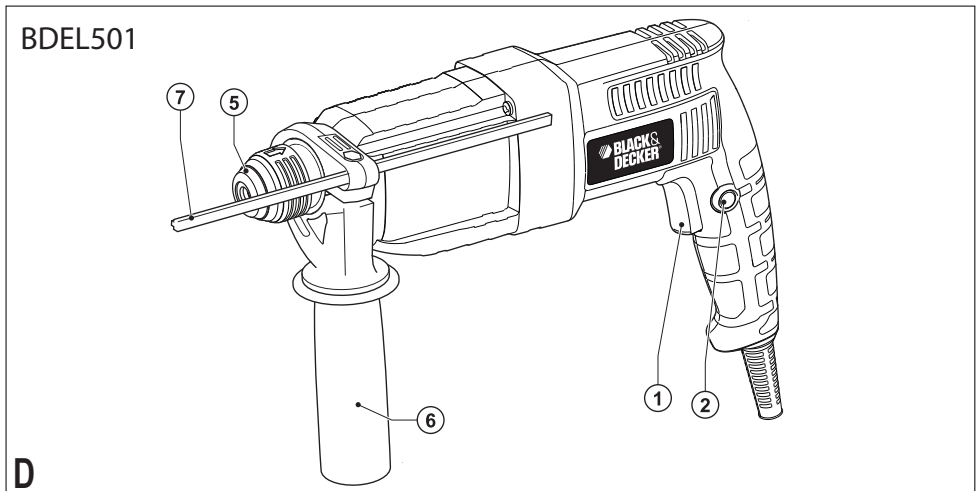
\*Your model may be a 1 mode unit (BDEL501) & as such does not have drilling mode selector (4) on unit see figure D.

B



C

BDEL501



D

\* The picture above may differ slightly to actual unit.

## BDEL501/503 HAMMER

### Technical data

| Hammer        |      | BDEL501 | BDEL503 |
|---------------|------|---------|---------|
| Power input   | W    | 720     | 720     |
| No-load speed | /min | 0-980   | 0-980   |
| Impact rate   | BPM  | 0-5200  | 0-5200  |
| Impact energy | J    | 2.0     | 2.0     |
| Modes         |      | 1       | 3       |
| Max capacity  | mm   |         |         |
| - Concrete    |      | 22      | 22      |
| - Steel       |      | -       | 13      |
| -Wood         |      | -       | 30      |
| Weight        | kg   | 3.0     | 3.0     |

#### BDEL501:

##### Level of sound pressure according to EN 60745:

Sound pressure ( $L_{p(A)}$ ) 91.0 dB(A), uncertainty (K) 3 dB(A)

Sound power ( $L_{w(A)}$ ) 102.0 dB(A), uncertainty (K) 3 dB(A)

##### Vibration total values (triax vector sum) according to EN 60745:

Hammer drilling into concrete ( $a_{h,HD}$ ) 18.2 m/s<sup>2</sup>, uncertainty (K) 1.5 m/s<sup>2</sup>

#### BDEL503:

##### Level of sound pressure according to EN 60745:

Sound pressure ( $L_{p(A)}$ ) 91.0 dB(A), uncertainty (K) 3 dB(A)

Sound power ( $L_{w(A)}$ ) 102.0 dB(A), uncertainty (K) 3 dB(A)

##### Vibration total values (triax vector sum) according to EN 60745:

Hammer drilling into concrete ( $a_{h,HD}$ ) 18.6 m/s<sup>2</sup>, uncertainty (K) 1.5 m/s<sup>2</sup>

Chiselling ( $a_{h,Chaq}$ ) 15.9 m/s<sup>2</sup>, uncertainty (K) 1.5 m/s<sup>2</sup>

## EC declaration of conformity

MACHINERY DIRECTIVE



BDEL501,BDEL503

Black & Decker declares that these products described under "technical data" are in compliance with: 2006/42/EC, EN60745-1, EN60745-2-6,

For more information, please contact Black & Decker at the following address or refer to the back of the manual.

The undersigned is responsible for compilation of the technical file and makes this declaration on behalf of Black & Decker.

Kevin Hewitt  
Vice-President Global Engineering  
Black & Decker Europe, 210 Bath Road, Slough,  
Berkshire, SL1 3YD  
United Kingdom  
1-11-2009

## Intended use

Your Black & Decker SDS plus rotary hammer has been designed for drilling in wood, metal, plastics, and masonry as well as for light chiselling applications.

## Safety instructions

### General power tool safety warnings



**WARNING! Read all safety warnings and all instructions.** Failure to follow the warnings and instructions listed below may result in electric shock, fire and/or serious injury.

#### Save all warnings and instructions for future reference.

The term "power tool" in all of the warnings listed below refers to your mains operated (corded) power tool or battery operated (cordless) power tool.

#### 1. Work area safety

- a. **Keep work area clean and well lit.** Cluttered or dark areas invite accidents.
- b. **Do not operate power tools in explosive atmospheres, such as in the presence of flammable liquids, gases or dust.** Power tools create sparks which may ignite the dust or fumes.
- c. **Keep children and bystanders away while operating a power tool.** Distractions can cause you to lose control.

#### 2. Electrical safety

- a. **Power tool plugs must match the outlet. Never modify the plug in any way. Do not use any adapter plugs with earthed (grounded) power tools.** Unmodified plugs and matching outlets will reduce risk of electric shock.
- b. **Avoid body contact with earthed or grounded surfaces such as pipes, radiators, ranges and refrigerators.** There is an increased risk of electric shock if your body is earthed or grounded.
- c. **Do not expose power tools to rain or wet conditions.** Water entering a power tool will increase the risk of electric shock.
- d. **Do not abuse the cord. Never use the cord for carrying, pulling or unplugging the power tool. Keep cord away from heat, oil, sharp edges or moving parts.** Damaged or entangled cords increase the risk of electric shock.
- e. **When operating a power tool outdoors, use an extension cord suitable for outdoor use.** Use of a cord suitable for outdoor use reduces the risk of electric shock.
- f. **If operating a power tool in a damp location is unavoidable, use a residual current device (RCD) protected supply.** Use of an RCD reduces the risk of

electric shock.

#### 3. Personal safety

- a. **Stay alert, watch what you are doing and use common sense when operating a power tool. Do not use a power tool while you are tired or under the influence of drugs, alcohol or medication.** A moment of inattention while operating power tools may result in serious personal injury.
- b. **Use personal protective equipment. Always wear eye protection.** Protective equipment such as dust mask, non-skid safety shoes, hard hat, or hearing protection used for appropriate conditions will reduce personal injuries.
- c. **Prevent unintentional starting. Ensure the switch is in the off-position before connecting to power source and/or battery pack, picking up or carrying the tool.** Carrying power tools with your finger on the switch or energising power tools that have the switch on invites accidents.
- d. **Remove any adjusting key or wrench before turning the power tool on.** A wrench or a key left attached to a rotating part of the power tool may result in personal injury.
- e. **Do not overreach. Keep proper footing and balance at all times.** This enables better control of the power tool in unexpected situations.
- f. **Dress properly. Do not wear loose clothing or jewellery. Keep your hair, clothing and gloves away from moving parts.** Loose clothes, jewellery or long hair can be caught in moving parts.
- g. **If devices are provided for the connection of dust extraction and collection facilities, ensure these are connected and properly used.** Use of dust collection can reduce dust-related hazards.

#### 4. Power tool use and care

- a. **Do not force the power tool. Use the correct power tool for your application.** The correct power tool will do the job better and safer at the rate for which it was designed.
- b. **Do not use the power tool if the switch does not turn it on and off.** Any power tool that cannot be controlled with the switch is dangerous and must be repaired.
- c. **Disconnect the plug from the power source and/or the battery pack from the power tool before making any adjustments, changing accessories, or storing power tools.** Such preventive safety measures reduce the risk of starting the power tool accidentally.
- d. **Store idle power tools out of the reach of children and do not allow persons unfamiliar with the power tool or these instructions to operate the power tool.** Power tools are dangerous in the hands of untrained users.

- e. **Maintain power tools. Check for misalignment or binding of moving parts, breakage of parts and any other condition that may affect the power tools operation. If damaged, have the power tool repaired before use.** Many accidents are caused by poorly maintained power tools.
  - f. **Keep cutting tools sharp and clean.** Properly maintained cutting tools with sharp cutting edges are less likely to bind and are easier to control.
  - g. **Use the power tool, accessories and tool bits etc. in accordance with these instructions, taking into account the working conditions and the work to be performed.** Use of the power tool for operations different from those intended could result in a hazardous situation.
5. **Service**
- a. **Have your power tool serviced by a qualified repair person using only identical replacement parts.** This will ensure that the safety of the power tool is maintained.

### Additional power tool safety warnings



**Warning!** Additional safety warnings for grinding, sanding, wire brushing, polishing or abrasive cutting-off operations

- ◆ **Wear ear protectors.** Exposure to noise can cause hearing loss.
- ◆ **Use auxiliary handles supplied with the tool.** Loss of control can cause personal injury.
- ◆ **Hold power tool by insulated gripping surfaces when performing an operation where the cutting accessory may contact hidden wiring or its own cord.** Cutting accessory contacting a "live" wire may make exposed metal parts of the power tool "live" and could give the operator an electric shock.
- ◆ Never use a chisel accessory in rotary mode. The accessory will bind in the material and rotate the drill.
- ◆ Use clamps or another practical way to secure and support the workpiece to a stable platform. Holding the work by hand or against your body leaves it unstable and may lead to loss of control.
- ◆ Before drilling into walls, floors or ceilings, check for the location of wiring and pipes.
- ◆ Avoid touching the tip of a drill bit just after drilling, as it may be hot.
- ◆ The intended use is described in this instruction manual. The use of any accessory or attachment or performance of any operation with this tool other than those recommended in this instruction manual may present a risk of personal injury and/or damage to property.

### Safety of others

- ◆ This appliance is not intended for use by persons (including children) with reduced physical, sensory or mental capabilities, or lack of experience and knowledge, unless they have been given supervision or instruction concerning use of the appliance by a person responsible for their safety.
- ◆ Children should be supervised to ensure that they do not play with the appliance.

### Residual risks.

Additional residual risks may arise when using the tool which may not be included in the enclosed safety warnings. These risks can arise from misuse, prolonged use etc.

Even with the application of the relevant safety regulations and the implementation of safety devices, certain residual risks can not be avoided. These include:

- ◆ Injuries caused by touching any rotating/moving parts.
- ◆ Injuries caused when changing any parts, blades or accessories.
- ◆ Injuries caused by prolonged use of a tool. When using any tool for prolonged periods ensure you take regular breaks.
- ◆ Impairment of hearing.
- ◆ Health hazards caused by breathing dust developed when using your tool (example:- working with wood, especially oak, beech and MDF.)

### Vibration

The declared vibration emission values stated in the technical data and the declaration of conformity have been measured in accordance with a standard test method provided by EN 60745 and may be used for comparing one tool with another. The declared vibration emission value may also be used in a preliminary assessment of exposure.

**Warning!** The vibration emission value during actual use of the power tool can differ from the declared value depending on the ways in which the tool is used. The vibration level may increase above the level stated.

When assessing vibration exposure to determine safety measures required by 2002/44/EC to protect persons regularly using power tools in employment, an estimation of vibration exposure should consider, the actual conditions of use and the way the tool is used, including taking account of all parts of the operating cycle such as the times when the tool is switched off and when it is running idle in addition to the trigger time.

### Labels on tool

The following pictograms are shown on the tool:



**Warning!** To reduce the risk of injury, the user must read the instruction manual.



Wear safety glasses or goggles when operating this tool.



Wear ear protection when operating this tool.

## Electrical safety



This tool is double insulated; therefore no earth wire is required. Always check that the power supply corresponds to the voltage on the rating plate.

- ◆ If the supply cord is damaged, it must be replaced by the manufacturer or an authorised Black & Decker Service Centre in order to avoid a hazard.

## Features

This tool includes some or all of the following features.

1. Variable speed switch
2. Lock-on button
3. Forward/reverse switch (only for BDEL503)
4. Mode selector (only for BDEL503)
5. Tool holder
6. Side handle
7. Depth stop

## Assembly

**Warning!** Before assembly, make sure that the tool is switched off and unplugged.

### Fitting the side handle

- ◆ Turn the grip counterclockwise until you can slide the side handle (6) onto the front of the tool.
- ◆ Rotate the side handle into the desired position.
- ◆ Tighten the side handle by turning the grip clockwise.

### Fitting an accessory (fig.A)

- ◆ Clean and grease the shank (8) of the accessory.
- ◆ Pull back the sleeve (9) and insert the shank into the tool holder (5).
- ◆ Push the accessory down and turn it slightly until it fits into the slots.
- ◆ Pull on the accessory to check if it is properly locked. The hammering function requires the accessory to be able to

move axially several centimetres when locked in the tool holder.

- ◆ To remove the accessory, pull back the sleeve (9) and pull out the accessory. tool holder.

## Use

**Warning!** Let the tool work at its own pace. Do not overload.

**Warning!** Before drilling into walls, floors or ceilings, check for the location of wiring and pipes.

### Selecting the operating mode (fig. B)

The tool can be used in three operating modes. Press in the button (10) and rotate the drilling mode selector (4) towards the required position, as indicated by the symbols.

### Drilling

- ◆ For drilling in steel, wood and plastics, set the operating mode selector (4) to the **A** position.modes.

### Hammer Drilling

- ◆ For hammer drilling in masonry and concrete, set the operating mode selector (4) to the **T** position
- ◆ When hammering, the tool should not bounce and run smoothly. If necessary, increase the speed.

### Hammering

- ◆ For hammering with spindle lock, and for light chiselling and chipping, set the operating mode selector (4) to the **T** position.
- ◆ Make sure the forward/reverse switch is in the forward position.
- ◆ When changing from hammer drilling to chiselling, turn the chisel to the desired position. If resistance is felt during mode change, slightly turn the chisel to engage the spindle lock.

**Warning!** If your hammer is a 1 mode unit (BDEL501), It only has one function - hammer drilling. It can't select operating mode.

### Selecting the direction of rotation

This function is included on only certain models (BDEL503). For drilling, and for chiselling, use forward (clockwise) rotation. For removing a jammed drill bit, use reverse (counterclockwise) rotation.

- ◆ To select forward rotation, push the forward/reverse slider (3) to the left.
- ◆ To select reverse rotation, push the forward/reverse slider to the right.

**Warning!** Never change the direction of rotation while the

motor is running.

### Setting the drilling depth (fig. C)

- ◆ Slacken the side handle (6) by turning the grip counter-clockwise.
- ◆ Set the depth stop (7) to the desired position. The maximum drilling depth is equal to the distance between the tip of the drill bit and the front end of the depth stop.
- ◆ Tighten the side handle by turning the grip clockwise.

### Switching on and off

- ◆ To switch the tool on, press the variable speed switch (1). The tool speed depends on how far you press the switch.
- ◆ As a general rule, use low speeds for large diameter drill bits and high speeds for smaller diameter drill bits.
- ◆ For continuous operation, press the lock-on button (2) and release the variable speed switch. This option is available only in forward (clockwise) rotation.
- ◆ To switch the tool off, release the variable speed switch. To switch the tool off when in continuous operation, press the variable speed switch once more and release it.

### Accessories

The performance of your tool depends on the accessory used. Black & Decker accessories are engineered to high quality standards and designed to enhance the performance of your tool. By using these accessories you will get the very best from your tool.

### Maintenance

Your Black & Decker corded/cordless appliance/tool has been designed to operate over a long period of time with a minimum of maintenance. Continuous satisfactory operation depends upon proper tool care and regular cleaning.

**Warning!** Before performing any maintenance on corded/cordless power tools:

- ◆ Switch off and unplug the appliance/tool.
- ◆ Or switch off and remove the battery from the appliance/tool if the appliance/tool has a separate battery pack.
- ◆ Or run the battery down completely if it is integral and then switch off.
- ◆ Unplug the charger before cleaning it. Your charger does not require any maintenance apart from regular cleaning.
- ◆ Regularly clean the ventilation slots in your appliance/tool/charger using a soft brush or dry cloth.
- ◆ Regularly clean the motor housing using a damp cloth. Do not use any abrasive or solvent-based cleaner.
- ◆ Regularly open the chuck and tap it to remove any dust from the interior (when fitted).

### Protecting the environment



Separate collection. This product must not be disposed of with normal household waste.

Should you find one day that your Black & Decker product needs replacement, or if it is of no further use to you, do not dispose of it with household waste. Make this product available for separate collection.



Separate collection of used products and packaging allows materials to be recycled and used again. Re-use of recycled materials helps prevent environmental pollution and reduces the demand for raw materials.

Local regulations may provide for separate collection of electrical products from the household, at municipal waste sites or by the retailer when you purchase a new product.

### Service Information

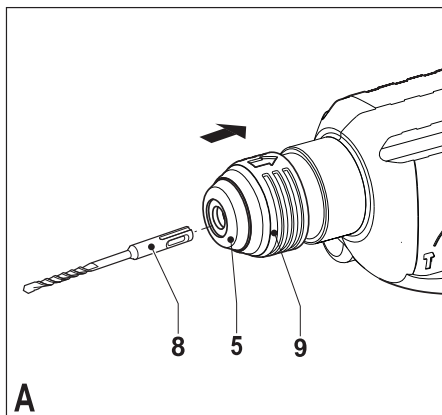
Black & Decker offers a full network of company-owned and authorized service locations throughout Asia. All Black & Decker Service Centers are staffed with trained personnel to provide customers with efficient and reliable power tool service. Whether you need technical advice, repair, or genuine factory replacement parts, contact the Black & Decker location nearest to you.

### Notes

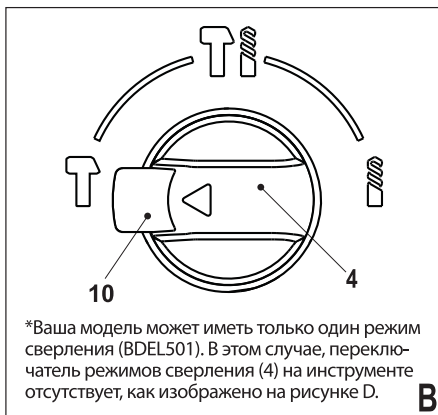
- Black & Decker's policy is one of continuous improvement to our products and, as such, we reserve the right to change product specifications without prior notice.
- Standard equipment and accessories may vary by country.
- Product specifications may differ by country.
- Complete product range may not be available in all countries.
- Contact your local Black & Decker dealers for range availability.

Black & Decker Europe, 210 Bath Road, Slough, Berkshire, SL1 3YD, United Kingdom  
23/07/2012



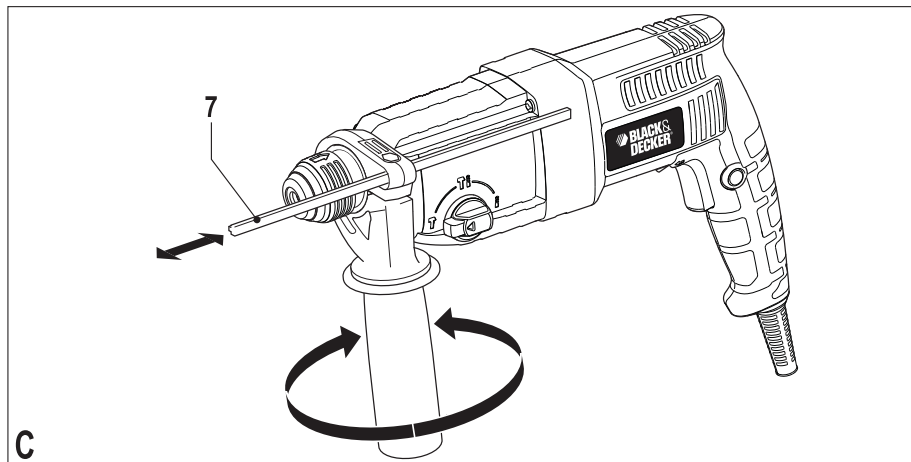


**A**

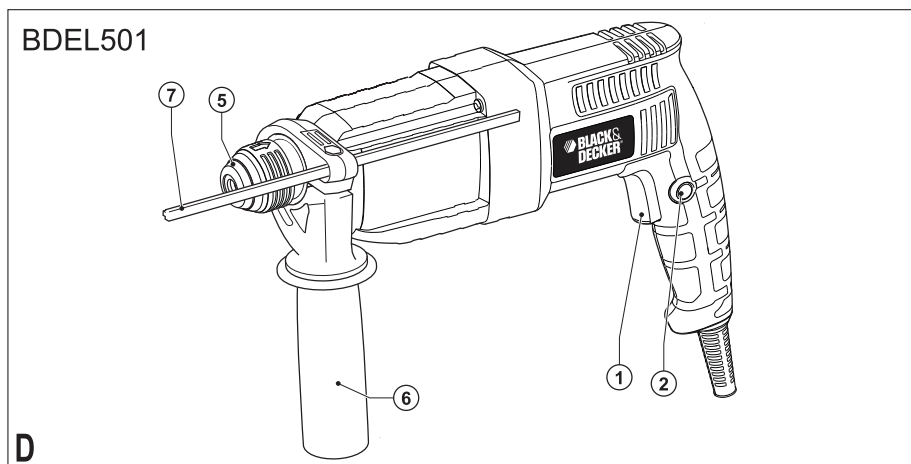


**B**

\*Ваша модель может иметь только один режим сверления (BDEL501). В этом случае, переключатель режимов сверления (4) на инструменте отсутствует, как изображено на рисунке D.



**C**



**D**

\* Данное изображение может слегка отличаться от фактического инструмента.

**BDEL501/503  
ПЕРФОРАТОР**

**Технические характеристики**

| Перфоратор                     | BDEL501       | BDEL503 |
|--------------------------------|---------------|---------|
| Потребляемая мощность          | Вт 720        | 720     |
| Скорость без нагрузки          | об/мин 0-980  | 0-980   |
| Частота ударов                 | уд/мин 0-5200 | 0-5200  |
| Энергия удара                  | Дж 2,0        | 2,0     |
| Кол-во режимов                 | 1             | 3       |
| Максимальный диаметр сверления |               |         |
| Бетон                          | мм 22         | 22      |
| Сталь                          | мм -          | 13      |
| Древесина                      | мм -          | 30      |
| Вес                            | кг 3,0        | 3,0     |

**BDEL501:**

**Уровень звукового давления в соответствии с EN 60745:**

Звуковое давление ( $L_{pA}$ ) 91,0 дБ(A), погрешность (K) 3 дБ(A), Акустическая мощность ( $L_{wA}$ ) 102,0 дБ(A), погрешность (K) 3 дБ(A)

**Сумма величин вибрации (сумма векторов по трем осям), измеренных в соответствии со стандартом EN 60745:**

Сверление с ударом в бетоне ( $a_{h,HD}$ ) 18,2 м/с<sup>2</sup>, погрешность (K) 1,5 м/с<sup>2</sup>

**BDEL503:**

**Уровень звукового давления в соответствии с EN 60745:**

Звуковое давление ( $L_{pA}$ ) 91,0 дБ(A), погрешность (K) 3 дБ(A), Акустическая мощность ( $L_{wA}$ ) 102,0 дБ(A), погрешность (K) 3 дБ(A)

**Сумма величин вибрации (сумма векторов по трем осям), измеренных в соответствии со стандартом EN 60745:**

Сверление с ударом в бетоне ( $a_{h,HD}$ ) 18,6 м/с<sup>2</sup>, погрешность (K) 1,5 м/с<sup>2</sup>, Долбление ( $a_{h,Choc}$ ) 15,9 м/с<sup>2</sup>, погрешность (K) 1,5 м/с<sup>2</sup>

**Декларация соответствия ЕС**  
ДИРЕКТИВА ПО МЕХАНИЧЕСКОМУ  
ОБОРУДОВАНИЮ



**BDEL501, BDEL503**

Black & Decker заявляет, что продукты, обозначенные в разделе «Технические характеристики», полностью соответствуют стандартам: 2006/42/ЕС, EN60745-1, EN60745-2-6.

За дополнительной информацией обращайтесь в Black & Decker по указанному ниже адресу или по адресу, указанному на последней странице руководства.

Нижеподписавшееся лицо полностью отвечает за соответствие технических данных и делает это заявление от имени фирмы Black & Decker.

Кевин Хьюитт (Kevin Hewitt)  
Вице-президент отдела  
мирового проектирования  
Black & Decker Europe,  
210 Bath Road, Slough,  
Berkshire, SL1 3YD  
United Kingdom  
1-11-2009

**Назначение**

Ваш перфоратор SDS plus Black & Decker предназначен для сверления отверстий в древесине, металле, пластмассе, кирпичной кладке, а также легкого долбления.

**Инструкции по технике безопасности**

**Общие правила безопасности при работе с электроинструментами**



**ВНИМАНИЕ!** Внимательно прочтите все инструкции по безопасности и руководство по эксплуатации. Несоблюдение всех перечисленных ниже правил безопасности и инструкций может привести к поражению электрическим током, возникновению пожара и/или получению тяжелой травмы.

**Сохраните все инструкции по безопасности и руководство по эксплуатации для их дальнейшего использования.** Термин «Электроинструмент» во всех приведенных ниже указаниях относится к Вашему сетевому (с кабелем) электроинструменту или аккумуляторному (беспроводному) электроинструменту.

- 1. Безопасность рабочего места**
  - а. Содержите рабочее место в чистоте и обеспечьте хорошее освещение.** Плохое освещение или беспорядок на рабочем месте может привести к несчастному случаю.

- b. Не используйте электроинструменты, если есть опасность возгорания или взрыва, например, вблизи легко воспламеняющихся жидкостей, газов или пыли. В процессе работы электроинструмент создает искровые разряды, которые могут воспламенить пыль или горючие пары.
  - c. Во время работы с электроинструментом не подпускайте близко детей или посторонних лиц. Отвлечение внимания может вызвать у Вас потерю контроля над рабочим процессом.
- 2. Электробезопасность**
- a. Вилка кабеля электроинструмента должна соответствовать штепсельной розетке. Ни в коем случае не видоизменяйте вилку электрического кабеля. Не используйте соединительные штепсели-переходники, если в силовом кабеле электроинструмента есть провод заземления. Использование оригинальной вилки кабеля и соответствующей ей штепсельной розетки уменьшает риск поражения электрическим током.
  - b. Во время работы с электроинструментом избегайте физического контакта с заземленными объектами, такими как трубопроводы, радиаторы отопления, электроплиты и холодильники. Риск поражения электрическим током увеличивается, если Ваше тело заземлено.
  - c. Не используйте электроинструмент под дождем или во влажной среде. Попадание воды в электроинструмент увеличивает риск поражения электрическим током.
  - d. Бережно обращайтесь с электрическим кабелем. Ни в коем случае не используйте кабель для переноски электроинструмента или для вытягивания его вилки из штепсельной розетки. Не подвергайте электрический кабель воздействию высоких температур и смазочных веществ; держите его в стороне от острых кромок и движущихся частей инструмента. Поврежденный или запутанный кабель увеличивает риск поражения электрическим током.
  - e. При работе с электроинструментом на открытом воздухе используйте удлинительный кабель, предназначенный для наружных работ. Использование кабеля, пригодного для работы на открытом воздухе, снижает риск поражения электрическим током.
  - f. При необходимости работы с электроинструментом во влажной среде используйте источник питания, оборудованный устройством защитного отключения (УЗО). Использование УЗО снижает риск поражения электрическим током.
- 3. Личная безопасность**
- a. При работе с электроинструментами будьте внимательны, следите за тем, что Вы делаете, и руководствуйтесь здравым смыслом.
- Не используйте электроинструмент, если Вы устали, а также находясь под действием алкоголя или понижающих реакцию лекарственных препаратов и других средств. Малейшая неосторожность при работе с электроинструментами может привести к серьезной травме.
  - b. При работе используйте средства индивидуальной защиты. Всегда надевайте защитные очки. Своевременное использование защитного снаряжения, а именно: пылезащитной маски, ботинок на нескользящей подошве, защитного шлема или противошумовых наушников, значительно снизит риск получения травмы.
  - c. Не допускайте непреднамеренного запуска. Перед тем, как подключить электроинструмент к сети и/или аккумулятору, поднять или перенести его, убедитесь, что выключатель находится в положении «выключено». Не переносите электроинструмент с нажатой кнопкой выключателя и не подключайте к сетевой розетке электроинструмент, выключатель которого установлен в положение «включено», это может привести к несчастному случаю.
  - d. Перед включением электроинструмента снимите с него все регулировочные или гаечные ключи. Регулировочный или гаечный ключ, оставленный закрепленным на вращающейся части электроинструмента, может стать причиной тяжелой травмы.
  - e. Работайте в устойчивой позе. Всегда сохраняйте равновесие и устойчивую позу. Это позволит Вам не потерять контроль при работе с электроинструментом в непредвиденной ситуации.
  - f. Одевайтесь соответствующим образом. Во время работы не надевайте свободную одежду или украшения. Следите за тем, чтобы Ваши волосы, одежда или перчатки находились в постоянном отдалении от движущихся частей инструмента. Свободная одежда, украшения или длинные волосы могут попасть в движущиеся части инструмента.
  - g. Если электроинструмент снабжен устройством сбора и удаления пыли, убедитесь, что данное устройство подключено и используется надлежащим образом. Использование устройства пылеудаления значительно снижает риск возникновения несчастного случая, связанного с запыленностью рабочего пространства.
- 4. Использование электроинструментов и технический уход**
- a. Не перегружайте электроинструмент. Используйте Ваш инструмент по назначению. Электроинструмент работает надежно и безопасно только при соблюдении параметров, указанных в его технических характеристиках.
  - b. Не используйте электроинструмент, если его выключатель не устанавливается

- в положение включения или выключения. Электроинструмент с неисправным выключателем представляет опасность и подлежит ремонту.
- c. Отключайте электроинструмент от сетевой розетки и/или извлекайте аккумулятор перед регулированием, заменой принадлежностей или при хранении электроинструмента. Такие меры предосторожности снижают риск случайного включения электроинструмента.
- d. Храните неиспользуемые электроинструменты в недоступном для детей месте и не позволяйте лицам, не знакомым с электроинструментом или данными инструкциями, работать с электроинструментом. Электроинструменты представляют опасность в руках неопытных пользователей.
- e. Регулярно проверяйте исправность электроинструмента. Проверяйте точность совмещения и легкость перемещения подвижных частей, целостность деталей и любых других элементов электроинструмента, воздействующих на его работу. Не используйте неисправный электроинструмент, пока он не будет полностью отремонтирован. Большинство несчастных случаев являются следствием недостаточного технического ухода за электроинструментом.
- f. Следите за остротой заточки и чистотой режущих принадлежностей. Принадлежности с острыми кромками позволяют избежать заклинивания и делают работу менее утомительной.
- g. Используйте электроинструмент, аксессуары и насадки в соответствии с данным Руководством и с учетом рабочих условий и характера будущей работы. Использование электроинструмента не по назначению может создать опасную ситуацию.

## 5. Техническое обслуживание

- a. Ремонт Вашего электроинструмента должен производиться только квалифицированными специалистами с использованием идентичных запасных частей. Это обеспечит безопасность Вашего электроинструмента в дальнейшей эксплуатации.

## Дополнительные меры безопасности при работе с электроинструментами



**Внимание!** Дополнительные меры безопасности при шлифовании, зачистке, очистке металлической щеткой, полировке и абразивной резке.

- ♦ Надевайте защитные наушники. Воздействие шума может привести к потере слуха.
- ♦ При работе пользуйтесь дополнительными рукоятками, прилагающимися к инструменту. Потеря контроля над инструментом может привести к тяжелой травме.

- ♦ Держите инструмент за изолированные ручки при выполнении операций, во время которых режущий инструмент может соприкоснуться со скрытой проводкой или собственным кабелем. Контакт режущей принадлежности с находящимся под напряжением проводом делает не покрытые изоляцией металлические части электроинструмента «живыми», что создает опасность поражения оператора электрическим током.
- ♦ Никогда не используйте долото в режиме вращения. Долото может застрять в материале, заставив перфоратор вращаться.
- ♦ Используйте трубины или другие приспособления для фиксации обрабатываемой детали, устанавливая их только на неподвижной поверхности. Если держать обрабатываемую деталь руками или с упором в собственное тело, то можно потерять контроль над инструментом или обрабатываемой деталью.
- ♦ Прежде чем сверлить отверстия в стенах, полах или потолках, проверьте наличие электропроводки и трубопроводов.
- ♦ Не дотрагивайтесь до наконечника сверла сразу же после окончания сверления, так как он может быть горячим.
- ♦ Назначение инструмента описывается в данном руководстве по эксплуатации. Использование любых принадлежностей или приспособлений, а также выполнение данным инструментом любых видов работ, не рекомендованных данным руководством по эксплуатации, может привести к несчастному случаю и/или повреждению личного имущества.

## Безопасность посторонних лиц

- ♦ Использование инструмента физически или умственно неполноценными людьми, а также детьми и неопытными лицами допускается только под контролем ответственного за их безопасность лица.
- ♦ Не позволяйте детям играть с инструментом.

## Остаточные риски

При работе с данным инструментом возможно возникновение дополнительных остаточных рисков, которые не вошли в описанные здесь правила техники безопасности. Эти риски могут возникнуть при неправильном или продолжительном использовании изделия и т.п.

Несмотря на соблюдение соответствующих инструкций по технике безопасности и использование предохранительных устройств, некоторые остаточные риски невозможно полностью исключить. К ним относятся:

- ♦ Травмы в результате касания вращающихся/двигающихся частей инструмента.
- ♦ Риск получения травмы во время смены деталей инструмента, ножей или насадок.
- ♦ Риск получения травмы, связанный с продолжительным использованием инструмента.

При использовании инструмента в течение продолжительного периода времени делайте регулярные перерывы в работе.

- ♦ Ухудшение слуха.
- ♦ Ущерб здоровью в результате вдыхания пыли в процессе работы с инструментом (например, при обработке древесины, в особенности, дуба, бука и ДВП).

### Вибрация

Значения уровня вибрации, указанные в технических характеристиках инструмента и декларации соответствия, были измерены в соответствии со стандартным методом определения вибрационного воздействия согласно EN60745 и могут использоваться при сравнении характеристик различных инструментов. Приведенные значения уровня вибрации могут также использоваться для предварительной оценки величины вибрационного воздействия.

**Внимание!** Значения вибрационного воздействия при работе с электроинструментом зависят от вида работ, выполняемых данным инструментом, и могут отличаться от заявленных значений. Уровень вибрации может превышать заявленное значение.

При оценке степени вибрационного воздействия для определения необходимых защитных мер (2002/44/ЕС) для людей, использующих в процессе работы электроинструменты, необходимо принимать во внимание действительные условия использования электроинструмента, учитывая все составляющие рабочего цикла, в том числе, время, когда инструмент находится в выключенном состоянии, время, когда он работает без нагрузки, а также время его запуска и отключения.

### Маркировка инструмента

На инструменте имеются следующие знаки:



**Внимание!** Полное ознакомление с руководством по эксплуатации снизит риск получения травмы.



При работе с данным инструментом надевайте защитные очки или маску.



При работе с инструментом используйте средства защиты органов слуха.

### Электробезопасность



Данный инструмент защищен двойной изоляцией, что исключает потребность в заземляющем проводе. Следите за напряжением электрической сети, оно должно соответствовать величине, обозначенной на информационной табличке электроинструмента.

- ♦ Во избежание несчастного случая, замена поврежденного кабеля питания должна производиться только на заводе-изготовителе

или в авторизованном сервисном центре Black & Decker.

### Составные части

Ваш инструмент может содержать все или некоторые из перечисленных ниже составных частей:

1. Клавиша пускового выключателя с регулировкой скорости
2. Кнопка блокировки пускового выключателя
3. Переключатель направления вращения (реверса) (только BDEL503)
4. Переключатель режимов сверления (только BDEL503)
5. Держатель насадки
6. Боковая рукоятка
7. Ограничитель глубины сверления

### Сборка

**Внимание!** Перед началом сборки убедитесь, что инструмент выключен и отсоединен от электросети.

#### Установка боковой рукоятки

- ♦ Поворачивайте ручку в направлении против часовой стрелки до тех пор, пока боковая рукоятка (6) не надвинется на свое посадочное место на корпусе электроинструмента.
- ♦ Повернув боковую рукоятку, установите ее в необходимое положение.
- ♦ Затяните боковую рукоятку, поворачивая ее ручку в направлении по часовой стрелке.

#### Установка насадки (Рис. А)

- ♦ Очистите и смажьте хвостовик (8) насадки.
- ♦ Оттяните зажимное кольцо (9) и вставьте хвостовик в держатель насадки (5).
- ♦ Нажимайте и поворачивайте насадку, чтобы хвостовик вошел в шлицы.
- ♦ Потяните за насадку для проверки надежности ее фиксации. Для выполнения ударной функции насадка должна иметь некоторую свободу перемещения в продольном направлении в пределах нескольких сантиметров.
- ♦ Для извлечения насадки оттяните зажимное кольцо (9) и вытяните насадку из держателя.

### Эксплуатация

**Внимание!** Не форсируйте рабочий процесс. Избегайте перегрузки электроинструмента.

**Внимание!** Прежде чем сверлить отверстия в стенах, полах или потолках, проверьте наличие электропроводки и трубопроводов.

#### Выбор режима работы (Рис. В)

Данный электроинструмент может использоваться в 3-х режимах работы: Нажмите на кнопку (10) и поверните переключатель режимов сверления (4), выбирая нужное положение, обозначенное соответствующим символом.

#### Сверление

Для сверления в металле, древесине и пластмассе

установите переключатель режимов сверления (4) в позицию **2**.

### Сверление с ударом

- ♦ Для сверления с ударом в кирпичной кладке и бетоне установите переключатель режимов сверления (4) в позицию **T2**.
- ♦ В режиме сверления с ударом электроинструмент должен работать плавно, без подскоков. При необходимости, увеличьте скорость.

### Долбление

- ♦ Для сверления с ударом при зафиксированном шпинделе, а также для легкого долбления установите переключатель режимов сверления (4) на позицию **T**.
- ♦ Убедитесь, что переключатель направления вращения установлен в положение вращения вперед.
- ♦ При переключении с режима ударного сверления в режим долбления, поверните долото для фиксации его в нужной позиции. Если при переключении режимов Вы испытываете затруднение, немного поверните долото, задействовав блокировку шпинделя.

**Внимание!** Если Ваш перфоратор оборудован только одним режимом сверления (BDEL501), он может выполнять только одну функцию – сверление с ударом. Выбор другого режима работы невозможен.

### Выбор направления вращения

Данная функция присутствует только в некоторых моделях (BDEL503).

Выполняйте сверление и долбление, установив направление вращения вперед (по часовой стрелке). Для извлечения заклинившего сверла, устанавливайте реверс (вращение против часовой стрелки).

- ♦ Для установки вращения вперед сдвиньте переключатель направления вращения (3) влево.
- ♦ Для установки реверса сдвиньте переключатель направления вращения вправо.

**Внимание!** Ни в коем случае не изменяйте направление вращения при работающем электродвигателе!

### Настройка глубины сверления (Рис. С)

- ♦ Ослабьте боковую рукоятку (6), поворачивая ее ручку в направлении против часовой стрелки.
- ♦ Установите ограничитель глубины сверления (7) на необходимую глубину. Максимальная глубина сверления равна расстоянию между острием сверла и передним торцом ограничителя глубины сверления.
- ♦ Затяните боковую рукоятку, поворачивая ее ручку в направлении по часовой стрелке.

### Включение и выключение

- ♦ Чтобы включить инструмент, нажмите на клавишу пускового выключателя с регулировкой

скорости (1). Скорость инструмента зависит от глубины нажатия клавиши выключателя.

- ♦ Принято использовать малые частоты вращения для сверл большого диаметра и, соответственно, большие частоты вращения для сверл малого диаметра.
- ♦ Для непрерывного режима работы нажмите кнопку блокировки пускового выключателя (2) и отпустите клавишу пускового выключателя. Эта функция работает только при вращении вперед (по часовой стрелке).
- ♦ Чтобы выключить инструмент, отпустите клавишу пускового выключателя. Для выключения непрерывного режима работы инструмента снова нажмите и отпустите клавишу пускового выключателя.

### Дополнительные принадлежности

Производительность Вашего электроинструмента напрямую зависит от используемых принадлежностей. Принадлежности Black & Decker изготовлены в соответствии с самыми высокими стандартами качества и способны увеличить производительность Вашего электроинструмента. Используя эти принадлежности, Вы достигнете наилучших результатов в работе.

### Техническое обслуживание

Ваш электрический/аккумуляторный инструмент Black & Decker рассчитан на работу в течение продолжительного времени при минимальном техническом обслуживании. Срок службы и надежность инструмента увеличивается при правильном уходе и регулярной чистке.

**Внимание!** Перед проведением технического обслуживания электрического/аккумуляторного инструмента:

- ♦ Выключите инструмент и отключите его от источника питания.
- ♦ Или выключите инструмент и извлеките из него аккумулятор, если инструмент оснащен съемным аккумулятором.
- ♦ В случае наличия встроенного аккумулятора, полностью разгрузите аккумулятор и выключите инструмент.
- ♦ Перед чисткой зарядного устройства отключите его от источника питания. Ваше зарядное устройство не требует никакого дополнительного технического обслуживания, кроме регулярной чистки.
- ♦ Регулярно очищайте вентиляционные отверстия инструмента/зарядного устройства мягкой щеткой или сухой тканью.
- ♦ Регулярно очищайте корпус двигателя влажной тканью. Не используйте абразивные чистящие средства, а также чистящие средства на основе растворителей.
- ♦ Регулярно раскрывайте патрон (при наличии) и вытряхивайте из него всю накопившуюся пыль.

## Защита окружающей среды



Раздельный сбор. Данное изделие нельзя утилизировать вместе с обычными бытовыми отходами.

Если однажды Вы захотите заменить Ваш электроинструмент Black & Decker или Вы больше в нем не нуждаетесь, не выбрасывайте его вместе с бытовыми отходами. Отнесите изделие в специальный приемный пункт.



Раздельный сбор изделий с истекшим сроком службы и их упаковок позволяет пускать их в переработку и повторно использовать. Использование переработанных материалов помогает защищать окружающую среду от загрязнения и снижает расход сырьевых материалов.

Местное законодательство может обеспечить сбор старых электрических продуктов отдельно от бытового мусора на муниципальных свалках отходов, или Вы можете сдавать их в торговом предприятии при покупке нового изделия.

### Информация по техническому обслуживанию

Black & Decker имеет обширную сеть принадлежащих компании авторизованных сервисных центров на территории всей Азии. В целях предоставления клиентам эффективного и надежного технического обслуживания электроинструментов во всех сервисных центрах Black & Decker работает обученный персонал. Если Вы нуждаетесь в технической консультации, ремонте или покупке оригинальных запасных частей, обратитесь в ближайший к Вам сервисный центр Black & Decker.

### Примечания

- ◆ Политика Black & Decker нацелена на постоянное усовершенствование нашей продукции, поэтому фирма оставляет за собой право изменять технические характеристики изделий без предварительного уведомления.
- ◆ Стандартное оборудование и дополнительные принадлежности могут меняться в зависимости от страны продаж.
- ◆ Технические характеристики продуктов могут различаться в зависимости от страны продаж.
- ◆ Полная линия продуктов присутствует на рынках не всех стран.
- ◆ Для получения информации касательно линии продуктов в Вашей стране обратитесь в ближайший сервисный центр Black & Decker.

## БЛЭК ЭНД ДЕККЕР

### Гарантийные условия

#### Уважаемый покупатель!

1. Поздравляем Вас с покупкой высококачественного изделия БЛЭК ЭНД ДЕККЕР и выражаем признательность за Ваш выбор.
- 1.1. Надежная работа данного изделия в течение всего срока эксплуатации - предмет особой заботы наших сервисных служб. В случае возникновения каких-либо проблем в процессе эксплуатации изделия рекомендуем Вам обращаться только в авторизованные сервисные организации, адреса и телефоны которых Вы сможете найти в Гарантийном талоне или узнать в магазине. Наши сервисные станции - это не только квалифицированный ремонт, но и широкий выбор запчастей и принадлежностей.
- 1.2. При покупке изделия требуйте проверки его комплектности и исправности в Вашем присутствии, инструкцию по эксплуатации и заполненный Гарантийный талон на русском языке. При отсутствии у Вас правильно заполненного Гарантийного талона мы будем вынуждены отклонить Ваши претензии по качеству данного изделия.
- 1.3. Во избежание недоразумений убедительно просим Вас перед началом работы с изделием внимательно ознакомиться с инструкцией по его эксплуатации.
- 1.4. Обращаем Ваше внимание на исключительно бытовое назначение данного изделия.
2. Правовой основой настоящих гарантийных условий является действующее Законодательство и, в частности, Закон "О защите прав потребителей".
3. Гарантийный срок на данное изделие составляет 24 месяца и исчисляется со дня продажи через розничную торговую сеть. В случае устранения недостатков изделия, гарантийный срок продлевается на период, в течение которого оно не использовалось.
4. Срок службы изделия - 5 лет (минимальный, установленный в соответствии с Законом "О защите прав потребителей").
5. Наши гарантийные обязательства распространяются только на неисправности, выявленные в течение гарантийного срока и обусловленные производственными и конструктивными факторами.

6. Гарантийные обязательства не распространяются:
  - 6.1. На неисправности изделия, возникшие в результате:
    - 6.1.1. Несоблюдения пользователем предписаний инструкции по эксплуатации изделия.
    - 6.1.2. Механического повреждения, вызванного внешним ударным или любым иным воздействием.
    - 6.1.3. Использования изделия в профессиональных целях и объемах, в коммерческих целях.
    - 6.1.4. Применения изделия не по назначению.
    - 6.1.5. Стихийного бедствия.
    - 6.1.6. Неблагоприятных атмосферных и иных внешних воздействий на изделие, таких как дождь, снег, повышенная влажность, нагрев, агрессивные среды, несоответствие параметров питающей электросети параметрам, указанным на инструменте.
    - 6.1.7. Использования принадлежностей, расходных материалов и запчастей, не рекомендованных или не одобренных производителем.
    - 6.1.8. Проникновения внутрь изделия посторонних предметов, насекомых, материалов или веществ, не являющихся отходами, сопровождающими применение по назначению, такими как стружка опилки и пр.
  - 6.2. На инструменты, подвергавшиеся вскрытию, ремонту или модификации вне уполномоченной сервисной станции.
  - 6.3. На принадлежности, запчасти, вышедшие из строя вследствие нормального износа, и расходные материалы, такие как приводные ремни, угольные щетки, аккумуляторные батареи, ножи, пилки, абразивы, пыльные диски, сверла, буры и т. п.
  - 6.4. На неисправности, возникшие в результате перегрузки инструмента, повлекшей выход из строя электродвигателя или других узлов и деталей. К безусловным признакам перегрузки изделия относятся, помимо прочего: появление цветов побежалости, деформация или оплавление деталей и узлов изделия, потемнение или обугливание изоляции проводов электродвигателя под воздействием высокой температуры.



007

Блэк энд Деккер Гмбх  
Блэк энд Деккер Штрассе, 40  
65510 Идштайн, Германия



| № 1  | № 2  | № 3  | № 4  |
|--|--|--|--|
| Order No. / Заказ № / Замовлення №   | Order No. / Заказ № / Замовлення №   | Order No. / Заказ № / Замовлення №   | Order No. / Заказ № / Замовлення №   |
| Date of receipt/Дата поступления/Дата прийому  | Date of receipt/Дата поступления/Дата прийому  | Date of receipt/Дата поступления/Дата прийому  | Date of receipt/Дата поступления/Дата прийому  |
| Date of receipt/Дата выдачи/Дата видання   | Date of receipt/Дата выдачи/Дата видання   | Date of receipt/Дата выдачи/Дата видання   | Date of receipt/Дата выдачи/Дата видання   |
| Stamp and signature of the service centre/<br>Печатать и подписать сервисного центра/<br>Печатка та підпис сервисного центру | Stamp and signature of the service centre/<br>Печатать и подписать сервисного центра/<br>Печатка та підпис сервисного центру | Stamp and signature of the service centre/<br>Печатать и подписать сервисного центра/<br>Печатка та підпис сервисного центру | Stamp and signature of the service centre/<br>Печатать и подписать сервисного центра/<br>Печатка та підпис сервисного центру |
| <br>-----<br>№ 1                              | -----<br>№ 2   | -----<br>№ 3   | -----<br>№ 4   |
| Order No. / Заказ № / Замовлення №   | Order No. / Заказ № / Замовлення №   | Order No. / Заказ № / Замовлення №   | Order No. / Заказ № / Замовлення №   |
| Date of receipt/Дата поступления/Дата прийому  | Date of receipt/Дата поступления/Дата прийому  | Date of receipt/Дата поступления/Дата прийому  | Date of receipt/Дата поступления/Дата прийому  |
| Stamp and signature of the service centre/<br>Печатать и подписать сервисного центра/<br>Печатка та підпис сервисного центру | Stamp and signature of the service centre/<br>Печатать и подписать сервисного центра/<br>Печатка та підпис сервисного центру | Stamp and signature of the service centre/<br>Печатать и подписать сервисного центра/<br>Печатка та підпис сервисного центру | Stamp and signature of the service centre/<br>Печатать и подписать сервисного центра/<br>Печатка та підпис сервисного центру |

| № 4   | № 3   | № 2   | № 1   |
|---|---|---|---|
| Заказ №/Тапсырыс №/Буюртма №  | Заказ №/Тапсырыс №/Буюртма №  | Заказ №/Тапсырыс №/Буюртма №  | Заказ №/Тапсырыс №/Буюртма №  |
| Дата прыёмкі/Қабылдау күні/Қабул қилинган куни  | Дата прыёмкі/Қабылдау күні/Қабул қилинган куни  | Дата прыёмкі/Қабылдау күні/Қабул қилинган куни  | Дата прыёмкі/Қабылдау күні/Қабул қилинган куни  |
| Дата выдачы/Беру күні/Қайтарыб берилган куни  | Дата выдачы/Беру күні/Қайтарыб берилган куни  | Дата выдачы/Беру күні/Қайтарыб берилган куни  | Дата выдачы/Беру күні/Қайтарыб берилган куни  |
| Пячатка і подпіс сэрвіснага цэнтра/<br>Сервіс орталығының мөрі мен қолтанбасы/<br>Сервіс марказининг мухр ва имзоси | Пячатка і подпіс сэрвіснага цэнтра/<br>Сервіс орталығының мөрі мен қолтанбасы/<br>Сервіс марказининг мухр ва имзоси | Пячатка і подпіс сэрвіснага цэнтра/<br>Сервіс орталығының мөрі мен қолтанбасы/<br>Сервіс марказининг мухр ва имзоси | Пячатка і подпіс сэрвіснага цэнтра/<br>Сервіс орталығының мөрі мен қолтанбасы/<br>Сервіс марказининг мухр ва имзоси |
| № 4   | № 3   | № 2   | № 1   |
| Заказ №/Тапсырыс №/Буюртма №  | Заказ №/Тапсырыс №/Буюртма №  | Заказ №/Тапсырыс №/Буюртма №  | Заказ №/Тапсырыс №/Буюртма №  |
| Дата прыёмкі/Қабылдау күні/Қабул қилинган куни  | Дата прыёмкі/Қабылдау күні/Қабул қилинган куни  | Дата прыёмкі/Қабылдау күні/Қабул қилинган куни  | Дата прыёмкі/Қабылдау күні/Қабул қилинган куни  |
| Пячатка і подпіс сэрвіснага цэнтра/<br>Сервіс орталығының мөрі мен қолтанбасы/<br>Сервіс марказининг мухр ва имзоси | Пячатка і подпіс сэрвіснага цэнтра/<br>Сервіс орталығының мөрі мен қолтанбасы/<br>Сервіс марказининг мухр ва имзоси | Пячатка і подпіс сэрвіснага цэнтра/<br>Сервіс орталығының мөрі мен қолтанбасы/<br>Сервіс марказининг мухр ва имзоси | Пячатка і подпіс сэрвіснага цэнтра/<br>Сервіс орталығының мөрі мен қолтанбасы/<br>Сервіс марказининг мухр ва имзоси |



**GB** WARRANTY CARD

**BY** ГАРАНТИЙНЫЙ ТАЛОН

**RUS** ГАРАНТИЙНЫЙ ТАЛОН

**KZ** КЕПІЛДІК ТАЛОН

**UA** ГАРАНТІЙНИЙ ТАЛОН

**UZ** ГАРАНТИЯ ЧИПТАСИ



**GB** months

**RUS** месяца

**UA** місяця

**24**

**BY** месяца

**KZ** ай

**UZ** ой

| <b>GB</b> Serial No.      | Date of sale  | Selling stamp,<br>Signature                   |
|---------------------------|---------------|---|
| <b>RUS</b> Серийный номер | Дата продажи  | Печать и подпись<br>торговой организации      |
| <b>UA</b> Серійний номер  | Дата продажу  | Печатка та підпис<br>торгівельної організації |
| <b>BY</b> Серыйны нумар   | Дата продажы  | Пячатка і подпіс<br>гандлёвай установы        |
| <b>KZ</b> Сериялық нөмір  | Сату күні     | Сауда ұйымының<br>мәрі мен қолтанбасы         |
| <b>UZ</b> Серия сони      | Сотилган куни | Савдо корхонанинг<br>мухр ва имзоси           |

## АВТОРИЗОВАННЫЕ СЕРВИСНЫЕ ЦЕНТРЫ BLACK & DECKER

RUS

Россия, 121471, г. Москва,  
ул. Гвардейская, д. 3, корп. 1  
тел.: (495) 444 10 70  
737 80 41

UA

Україна, 04073, м. Київ,  
вул. Сирецька, 33-ш  
тел.: (044) 581 11 25

KZ

Казахстан, 050060, г. Алматы,  
ул. Тажибаевой, д. 155/1  
тел.: (727) 250 21 21  
244 64 44

BY

Беларусь, 220015, г. Минск,  
ул. Берута, д. 22, к. 1  
тел.: (37517) 251 43 07  
251 30 72

GE

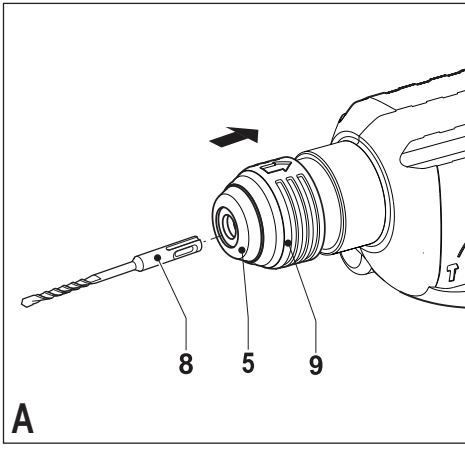
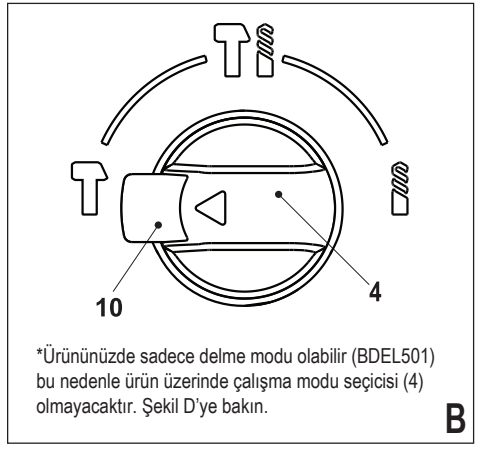
Грузия, 0193, г. Тбилиси,  
ул. Тамарашвили, д. 12  
тел.: (99532) 33 35 86

Сервисная сеть Black & Decker постоянно расширяется.

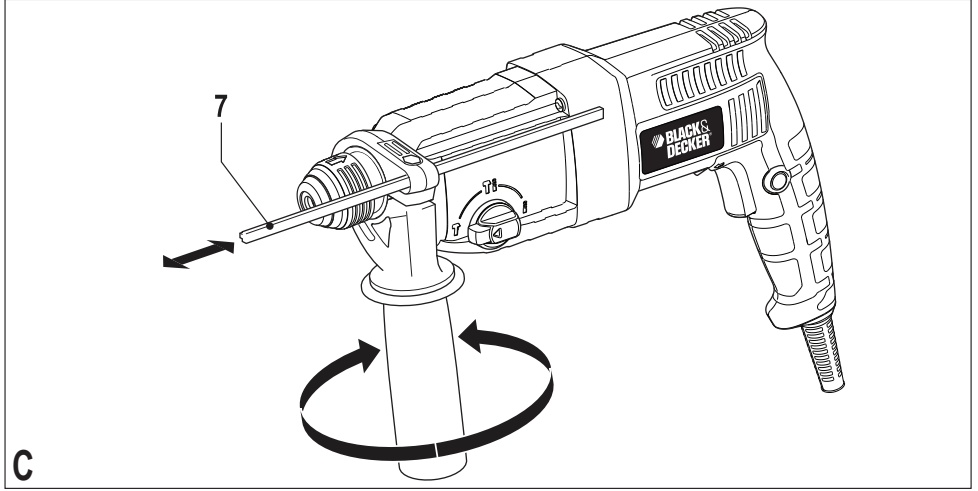
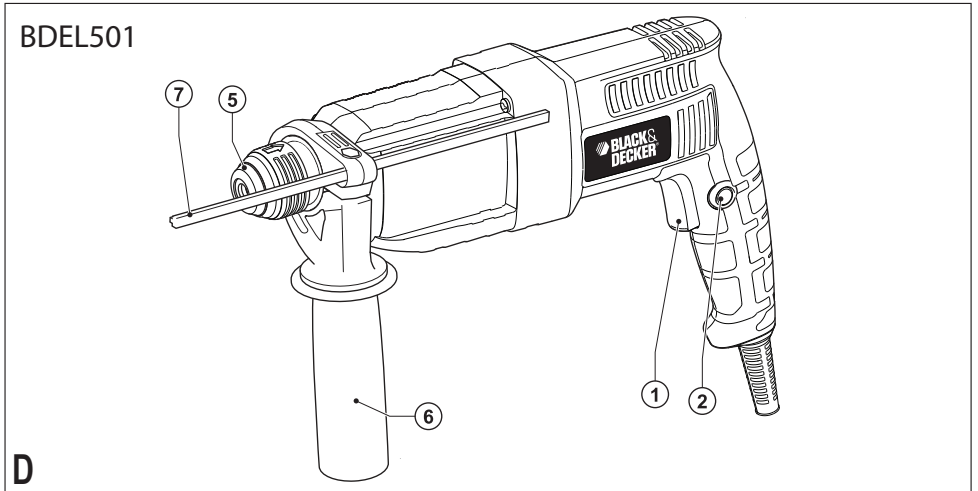
Информацию об обслуживании в других городах Вы можете получить по телефону  
в Москве: (495) 258 39 81/2/3,  
в Киеве: (044) 507 05 17  
<http://www.blackanddecker.ru>

---

Исправный и полностью укомплектованный товар получил(а), с гарантийными условиями ознакомлен(а)/  
Справний та повністю укомплектований товар отримав(ла), с гарантійними зобов'язаннями ознайомлен(а)/  
Спраўны і поўнасьцю укомплектаваны тавар атрымаў(ла), з гарантійнымі умовамі азнаёмлены(а)/  
Тұзу және толық жинақталған тауар қабылдадым, кепілдік шарттарымен таныстым/  
Тузатилган ва тулик комплектли махсулотни олдим, гарантия шартлари билан танишиб чикдим“

**A**

\*Ürünüizde sadece delme modu olabilir (BDEL501) bu nedenle ürün üzerinde çalışma modu seçicisi (4) olmayacaktır. Şekil D'ye bakın.

**B****C****BDEL501****D**

\* Yukarıda gösterilen şekil ile alet arasında biraz farklılık olabilir.

**BDEL501/503  
SDS-PLUS PNÖMATİK MATKAP****Teknik özellikleri**

| SDS-Plus pnömatik matkap |           | BDEL501 | BDEL503 |
|--------------------------|-----------|---------|---------|
| Giriş gücü               | W         | 720     | 720     |
| Yüksüz Hızı              | dev/dak   | 0-980   | 0-980   |
| Darbe oranı              | darbe/dak | 0-5200  | 0-5200  |
| Tek darbe gücü           | J         | 2.0     | 2.0     |
| Çalışma modları          |           | 1       | 3       |
| Maks. delme kapasitesi   | mm        |         |         |
| - Beton                  |           | 22      | 22      |
| - Çelik                  |           | -       | 13      |
| -Ahşap                   |           | -       | 30      |
| Ağırlık                  | kg        | 3.0     | 3.0     |

**BDEL501:****EN 60745'e göre ses basıncı düzeyi:**

Ses basıncı (LpA) 91,0 dB(A), belirsizlik (K) 3 dB(A)

Akustik güç (LwA) 102,0 dB(A), belirsizlik (K) 3 dB(A)

**EN 60745'e göre tespit edilen toplam titreşim değerleri  
(üç yönün vektör toplamı):**Betonda darbeli delme (ah, HD) 18,2 m/s<sup>2</sup>, belirsizlik (K) 1.5 m/s<sup>2</sup>**BDEL503:****EN 60745'e göre ses basıncı düzeyi:**

Ses basıncı (LpA) 91,0 dB(A), belirsizlik (K) 3 dB(A)

Akustik güç (LwA) 102,0 dB(A), belirsizlik (K) 3 dB(A)

**EN 60745'e göre tespit edilen toplam titreşim değerleri  
(üç yönün vektör toplamı):**Betonda darbeli delme (ah, HD) 18,6 m/s<sup>2</sup>, belirsizlik (K) 1.5 m/s<sup>2</sup>Kırma (ah, Cheq) 15,9 m/s<sup>2</sup>, belirsizlik (K) 1.5 m/s<sup>2</sup>**AT Uygunluk Beyanati**  
MAKİNE DİREKTİFİ

BDEL501, BDEL503

Black & Decker, «teknik özellikleri» bölümünde açıklanan bu ürünlerin aşağıda belirtilen yönergelere uygun olduğunu beyan eder: 2006/42/EC, EN60745-1, EN60745-2-6,

Daha fazla bilgi için, lütfen aşağıdaki adresten Black & Decker ile irtibata geçin veya kılavuzun arkasına bakın.

Bu belge altında imzası bulunan yetkili, teknik dosyanın derlenmesinden sorumludur ve bu beyanı Black & Decker adına vermiştir.

Kevin Hewitt

Başkan Yardımcısı, Global Mühendislik  
Black & Decker Europe, 210 Bath Road, Slough,  
Berkshire, SL1 3YD  
İngiltere  
1-11-2009

## Kullanım amacı

Black & Decker SDS plus pnömatik matkabınız ahşap, metal, plastik ve duvar delme işleri ve ayrıca basit kırma uygulamaları için tasarlanmıştır.

## Güvenlik talimatları

### Genel elektrikli alet güvenlik uyarıları



**UYARI!** Bütün güvenlik uyarılarını ve talimatlarını mutlaka okuyun. Aşağıda yer alan uyarılar ve talimatların herhangi birisine uyulmaması elektrik çarpması, yangın ve/veya ciddi yaralanma riskine neden olabilir.

**Bütün uyarı ve güvenlik talimatlarını ileride bakmak üzere saklayın.** Aşağıda yer alan uyarılardaki «elektrikli alet» terimi şebeke elektrikle (kablolu) veya akü/pille (şarjlı) çalışan elektrikli aletinizi ifade etmektedir.

#### 1. Çalışma alanının güvenliği

- Çalışma alanını temiz ve aydınlık tutun.** Karışık veya karanlık alanlar kazaya davetiye çıkarır.
- Elektrikli aletleri, yanıcı sıvılar, gazlar ve tozların bulunduğu yerler gibi yanıcı ortamlarda çalıştırmayın.** Elektrikli aletler, toz veya dumanları ateşleyebilecek kıvılcımlar çıkarır.
- Bir elektrikli aleti çalıştırırken çocuklardan ve etraftaki kişilerden uzak tutun.** Dikkatinizi dağıtıcı şeyler kontrolü kaybetmenize neden olabilir.

#### 2. Elektrik güvenliği

- Elektrikli aletlerin fişleri prizlere uygun olmalıdır. Fiş üzerinde kesinlikle hiçbir değişiklik yapmayın. Topraklı elektrikli aletlerde hiçbir adaptör fişi kullanmayın.** Değiştirilmemiş fişler ve uygun prizler elektrik çarpması riskini azaltacaktır.
- Borular, radyatörler, ocaklar ve buzdolapları gibi topraklanmamış yüzeylerle vücut temasından kaçının.** Vücudunuzun topraklanması halinde yüksek bir elektrik çarpması riski vardır.
- Elektrikli aletleri yağmura maruz bırakmayın veya ıslatmayın.** Elektrikli alete su girmesi elektrik çarpması riskini arttıracaktır.
- Elektrik kablosunu uygun olmayan amaçlarla kullanmayın. Elektrikli aleti kesinlikle kablosundan tutarak taşımayın, çekmeyin veya prizden çıkartmayın. Kabloyu sıcağın, yağdan, keskin kenarlardan veya hareketli parçalardan uzak tutun.** Hasarlı veya dolaşmış kablolar elektrik çarpması riskini artırır.
- Elektrikli bir aleti açık havada çalıştırıyorsanız, açık havada kullanıma uygun bir uzatma kablosu kullanın.**

Açık havada kullanıma uygun bir kablunun kullanılması elektrik çarpması riskini azaltır.

- Eğer bir elektrikli aletin nemli bir bölgede çalıştırılması zorluyorsa, bir artık akım aygıtı (RCD) korumalı bir kaynak kullanın.** Bir RCD kullanılması elektrik şoku riskini azaltır.

#### 3. Kişisel güvenlik

- Elektrikli bir aleti kullanırken her zaman dikkatli olun, yaptığınız işe yoğunlaşın ve sağduyulu davranın. Elektrikli bir aleti yorgunken veya ilaç ya da alkolün etkisi altındayken kullanmayın.** Elektrikli aletleri kullanırken bir anlık dikkatsizlik ciddi kişisel yaralanmayla sonuçlanabilir.
- Kişisel koruyucu ekipmanları mutlaka kullanın. Daima koruyucu gözlük takın.** Koşullara uygun toz maskesi, kaymayan güvenlik ayakkabıları, baret veya kulaklık gibi koruyucu donanımların kullanılması kişisel yaralanmaları azaltacaktır.
- İstem dışı çalıştırılmasını önleyin. Aleti güç kaynağına ve/veya aküye bağlamadan, yerden kaldırmadan veya taşımadan önce düğmenin kapalı konumda olduğundan emin olun.** Aleti, parmağınız düğme üzerinde bulunacak şekilde taşımak veya açık konumdaki elektrikli aletleri elektrik şebekesine bağlamak kazaya davetiye çıkarır.
- Elektrikli aleti açmadan önce tüm ayarlama anahtarlarını çıkartın.** Elektrikli aletin hareketli bir parçasına takılı kalmış bir anahtar kişisel yaralanmaya neden olabilir.
- Ulaşmakta zorlandığınız yerlerde kullanmayın. Daima sağlam ve dengeli basın.** Bu, beklenmedik durumlarda elektrikli aletin daha iyi kontrol edilmesine olanak tanır.
- Uygun şekilde giyinin. Bol elbiseler giymeyin ve takı takmayın. Saçınızı, elbiselerinizi ve eldivenlerinizi hareketli parçalardan uzak tutun.** Bol elbiseler ve takılar veya uzun saç hareketli parçalara takılabilir.
- Eğer kullandığınız üründen toz emme ve toplama özellikleri olan ataşmanlar varsa bunların bağlı olduğundan ve doğru şekilde kullanıldığını emin olun.** Bu toz toplama ataşmanların kullanılması tozla ilgili tehlikeleri azaltabilir.

#### 4. Elektrikli aletlerin kullanımı ve bakımı

- Elektrikli aleti zorlamayın. Uygulamanız için doğru elektrikli aleti kullanın.** Doğru elektrikli alet, belirlediği kapasite ayarında kullanıldığında daha iyi ve güvenli çalışacaktır.
- Düğme açmıyor ve kapatmıyorsa elektrikli aleti kullanmayın.** Düğmeyle kontrol edilemeyen tüm elektrikli aletler tehlikelidir ve tamir edilmesi gerekmektedir.

- c. **Herhangi bir ayarlama, aksesuar değişimi veya elektrikli aletlerin saklanması öncesinde fişi güç kaynağından çekin ve/veya aküyü elektrikli aletten ayırın.** Bu tür önleyici güvenlik tedbirleri aletin istem dışı olarak çalıştırılması riskini azaltacaktır.
- d. **Elektrikli aleti, çocukların ulaşamayacağı yerlerde saklayın ve elektrikli aleti tanımayan veya bu talimatları bilmeyen kişilerin elektrikli aleti kullanmasına izin vermeyin.** Elektrikli aletler, eğitimsiz kullanıcıların elinde tehlikelidir.
- e. **Elektrikli aletleri iyi durumda muhafaza edin. Hareketli parçalardaki hizalama hatalarını ve tutuklukları, parçalardaki kırılmalar ve elektrikli aletin çalışmasını etkileyebilecek tüm diğer koşulları kontrol edin. Hasarlı ise, elektrikli aleti kullanmadan önce tamir ettirin.** Kazaların çoğu, elektrikli aletlerin bakımının yeterli şekilde yapılmamasından kaynaklanır.
- f. **Kesim aletlerini keskin ve temiz tutun.** Bakımı uygun şekilde yapılmış keskin kesim uçlu kesim aletlerinin sıkışma ihtimali daha düşüktür ve kontrol edilmesi daha kolaydır.
- g. **Elektrikli aleti, aksesuarlarını ve aletin diğer parçalarını kullanırken bu talimatlara mutlaka uyun ve çalışma ortamının koşullarını ve yapılacak işin ne olduğunu göz önünde bulundurun.** Elektrikli aletin öngörülen işlemler dışındaki işlemler için kullanılması tehlikeli durumlara neden olabilir.

## 5. Servis

- a. **Elektrikli aletinizi, sadece orijinal yedek parçaları kullanıldığı yetkili servise tamir ettirin.** Bu, elektrikli aletin güvenliğinin muhafaza edilmesini sağlayacaktır.

## Elektrikli el aletleri için ek güvenlik talimatları



**Uyarı!** SDS-Plus Pnomatik matkaplar için ek güvenlik talimatları.

- ◆ **Kulaklık takın.** Yüksek sese maruz kalmak işitme kaybına yol açabilir.
- ◆ **Alele birlikte verilmiş olan yardımcı tutma kollarını kullanın.** Kontrol kaybı kişisel yaralanmalara neden olabilir.
- ◆ **Kesme aksesuarının gizli kabloları veya kendi kablo-suna temas edebileceği yerlerde çalışma yaparken elektrikli aleti yalıtımlı kavrama yüzeylerinden tutun.** Kesme aksesuarının «akım taşıyan» bir kabloya temas etmesi durumunda elektrikli aletin metal kısımları da «akım taşıyıcı» hale gelecek ve kullanıcının elektrik çarpmasına neden olabilir.
- ◆ Hiçbir zaman dönme konumunda kırıcı uç kullanmayın.

Aksesuar malzeme içinde sıkışacak ve matkabı döndürecektir.

- ◆ Üzerinde çalıştığınız parçayı sabitlemek ve desteklemek için kelepçeler veya başka pratik yöntemler kullanın. Parçayı elle veya vücudunuza dayamanız dengesiz durmasına neden olacaktır ve aletin kontrolünü kaybetmenize yol açabilir.
- ◆ Duvar, zemin veya tavanda delik açmadan önce kablo ve boruların konumunu kontrol edin.
- ◆ Delme işleminin hemen ardından matkap ucuna dokunmaktan kaçının; sıcak olabilir.
- ◆ Kullanım amacı bu kullanım kılavuzunda açıklanmıştır. Herhangi bir aksesuarın veya bağlantının ya da işlemin, bu kılavuzda tavsiye edilen şekilden başka bir şekilde kullanılması şahısların yaralanmalarına ve/veya mal kaybına yol açabilir.

## Diğer kişilerin güvenliği

- ◆ Bu alet fiziksel ve zihinsel kapasitesinin yanı sıra algılama gücü azalmış olan veya yeterince deneyim ve bilgisi bulunmayan kişiler (çocuklar dahil) tarafından kullanılmak üzere üretilmemiştir. Bu tür kişiler aleti ancak güvenliklerinden sorumlu bir kişi tarafından cihazın kullanımıyla ilgili talimatların verilmesi veya sürekli kontrol altında tutulması durumunda kullanabilir.
- ◆ Çocuklar, aletle oynamalarını önlemek amacıyla kontrol altında tutulmalıdır.

## Diğer tehlikeler

Aletin kullanımıyla ilgili ekte sunulan güvenlik uyarılarına dahil olmayan ilave kalıcı riskler ortaya çıkabilir. Bu riskler, hatalı, uzun süreli kullanım vb. dolayısıyla ortaya çıkabilir. Emniyet tedbirlerini düzenleyen yönetmeliğin uygulanmasına ve emniyet sağlayıcı aygıtların kullanılmasına rağmen, başka belirli risklerden kaçınılamaz. Bunlar:

- ◆ Aletin dönen ve hareket eden parçalarına dokunma sonucu ortaya çıkan yaralanmalar.
- ◆ Herhangi bir parçayı, bıçak veya aksesuarı değiştiren ortaya çıkan yaralanmalar.
- ◆ Aletin uzun süreli kullanılması sonucu ortaya çıkan yaralanmalar. Herhangi bir aleti uzun sürelerle kullanacaksanız düzenli olarak çalışmanıza ara verin.
- ◆ Duyma bozukluğu.
- ◆ Aleti kullanırken ortaya çıkan tozun solunması sonucu ortaya çıkan sağlık sorunları (örnek: ahşapta çalışırken, özellikle meşe, akgürgen ve MDF).

## Titreşim

Teknik veriler ve uygunluk beyanati içerisinde belirtilen titreşim emisyon değerleri EN60745 tarafından belirlenen standart bir test yöntemine uygun olarak ölçülmektedir ve diğer bir aletle karşılaştırma yaparken kullanılabilir. Beyan edilen titreşim



emisyon değeri aynı zamanda maruz kalmanın önceden değerlendirilmesinde de kullanılabilir.

**Uyarı!** Elektrikli aletin mevcut kullanımı sırasındaki titreşim emisyon değeri, aletin kullanım yöntemine bağlı olarak, beyan edilen değere göre farklılık sergileyebilir. Titreşim düzeyi belirlenen seviyenin üzerinde artış gösterebilir.

İşyerinde düzenli olarak elektrikli alet kullanan çalışanları korumak amacıyla 2002/44/EC tarafından getirilen elektrik güvenliği önlemlerini belirlemek üzere titreşime maruz kalmayı değerlendirirken, çalışma döngüsü içerisinde örneğin aletin kapalı olduğu ve aktif durumda olmasının yanı sıra boşta çalıştığı zamanlar gibi, bütün zaman dilimleri dahil olmak üzere mevcut kullanım durumu ve aletin kullanım şekli göz önünde bulundurularak değerlendirilmelidir.

### Alet üzerindeki etiketler

Alet üzerinde, aşağıdaki uyarı sembolleri bulunmaktadır:



**Uyarı!** Yaralanma riskini en aza indirmek için kullanıcı kullanım talimatlarını mutlaka okumalıdır.



Bu aleti kullanırken koruyucu gözlük kullanın.



Aletle çalışırken kulaklık takın.

### Elektrik güvenliği



Bu alet çift yalıtımlıdır. Bu yüzden hiçbir topraklama kablosuna gerek yoktur. Her zaman şebeke geriliminin aletin üretim etiketinde belirlenmiş değerlere uyup uymadığını kontrol edin.

- ◆ Elektrik kablosu hasarlı ise, bir tehlike oluşmasını önlemek için üretici ya da yetkili Black & Decker Servis Merkezi tarafından değiştirilmelidir.

### ÖZELLİKLER

Bu alet, aşağıdaki özelliklerin bir kısmını veya tümünü içermektedir.

1. Değişken hız ayarlı tetik
2. Kesintisiz çalıştırma düğmesi
3. İleri/geri düğmesi (sadece BDEL503)
4. Çalışma modu seçicisi (sadece BDEL503)
5. Uç tutucu
6. Yan kol
7. Derinlik çubuğu

### Montaj

**Uyarı!** Montajdan önce aletin kapalı ve fişinin çekilmiş olduğundan emin olun.

### Yan kolun takılması

- ◆ Tutamağı, yan kol (6) aletin ön kısmının üzerine kaydırabilir duruma gelene kadar saatin ters yönünde çevirin.
- ◆ Yan kolu istediğiniz konuma çevirin.
- ◆ Tutamağı saat yönünde çevirerek yan kolu sıkın.

### Aksesuar takılması (Şekil A)

- ◆ Aksesuarın sap kısmını (8) temizleyip yağlayın.
- ◆ Kovanı (9) geri çekip sap kısmını uç tutucunun (5) içine sokun.
- ◆ Aksesuarı aşağı bastırın ve yuvaların içine oturana kadar hafifçe çevirin.
- ◆ Uygun şekilde kilitlenip kilitlenmediğini kontrol etmek için aksesuarı çekin. Darbeleme fonksiyonu, aksesuarın uç tutucuya kilitlendikten sonra yukarı aşağı birkaç santimetre hareket edebilmesini gerektirir.
- ◆ Aksesuarı çıkartmak için, kovanı (9) geri çekin ve aksesuarı çekip çıkartın.

### Kullanımı

**Uyarı!** Aletin kendi hızında çalışmasına izin verin. Aşırı yüklenmeyin.

**Uyarı!** Duvar, zemin veya tavanda delik açmadan önce kablo ve boruların konumunu kontrol edin.

### Çalışma modunun seçilmesi (Şekil B)

Alet üç çalışma modunda kullanılabilir. Düğmeye (10) basın ve çalışma modu seçicisini (4) sembollerle gösterildiği şekilde gerekli konuma çevirin.

### Delme

- ◆ Çelik, ahşap ve plastiği delmek için çalışma modu seçicisini (4) **1** konumuna getirin.

### Darbeli delme

- ◆ Duvar ve betonda darbeli delme için çalışma modu seçicisini (4) **T1** konumuna getirin.
- ◆ Darbeli delme sırasında, alet sağa sola kaymamalı ve düzenli çalışmalıdır. Gerekirse hızı arttırın.

### Kırma

- ◆ Mil kilidi ile kırma ve kesikleme işleri için çalışma modu seçicisini (4) **T** konumuna getirin.
- ◆ İleri/geri düğmesinin ileri konumunda olduğundan emin olun.

- ◆ Darbeli delmeden kırıcı moduna geçmek için kırıcı ucunu istediğiniz konuma çevirin. Mod değişimi sırasında direnç hissederseniz, mil kilidini devreye sokmak için kırıcı ucunu hafifçe çevirin.

**Uyarı!** Eğer sizin pnömomatik matkabınızın sadece 1 çalışma modu varsa (BDEL501), tek çalışabileceği modu darbeli delmedir. Başka çalışma modunu seçmek imkanı yoktur.

## Dönme yönünün seçilmesi

Bu fonksiyon sadece belirli modellerde bulunur (BDEL503). Delik açma ve kırma uygulamaları için ileri (saat yönünde) dönmeyi kullanın.

Sıkışmış bir matkap ucunu çıkartmak için geri (saatin ters yönünde) dönmeyi kullanın.

- ◆ İleri dönmeyi seçmek için ileri/geri düğmesini (3) sola itin.
- ◆ Geri dönmeyi seçmek için ileri/geri düğmesini sağa itin.

**Uyarı!** Dönme yönünü kesinlikle motor çalışır durumdayken değiştirmeyin.

## Delme derinliğinin ayarlanması (Şekil C)

- ◆ Tutamağı saatin tersi yönde çevirerek yan kolu (6) gevşetin.
- ◆ Derinlik çubuğunu (7) istediğiniz konuma ayarlayın. Maksimum delme derinliği, matkap ucunun uç kısmı ile derinlik çubuğunun ön ucu arasındaki mesafeye eşittir.
- ◆ Tutamağı saat yönünde çevirerek yan kolu sıkın.

## Açılması ve kapatılması

- ◆ Aleti açmak için, değişken hız ayarlı tetiğine (1) basın. Aletin hızı, tetiğe ne kadar bastığınıza bağlıdır.
- ◆ Genel kural olarak, büyük çaplı uçlar için düşük hız, küçük çaplı uçlar içinse yüksek hız seçin.
- ◆ Sürekli çalışması için kesintisiz çalışma düğmesine (2) basın ve değişken hız ayarlı tetiğini bırakın. Bu seçenek sadece ileri (saat yönünde) dönme için geçerlidir.
- ◆ Aleti kapatmak için, değişken hız ayarlı tetiğini bırakın. Kesintisiz çalışma konumundayken aleti kapatmak için değişken hız ayarlı tetiğine bir kez daha basın ve bırakın.

## Aksesuarlar

Aletinizin performansı kullanılan aksesuara bağlıdır. Black & Decker aksesuarları, yüksek kalite standartlarına göre üretilmiş ve aletinizin performansını arttıracak şekilde tasarlanmıştır. Bu aksesuarları kullanarak, aletinizden en iyi verimi alacaksınız.

## Bakım

Black & Decker elektrikli/şarjlı aletiniz minimum bakımla uzun bir süre çalışacak şekilde tasarlanmıştır. Kesintisiz olarak memnuniyet verici bir şekilde çalışması gerekli özenin gösterilmesine ve düzenli temizliğe bağlıdır.

**Uyarı!** Elektrikli/şarjlı alet üzerinde herhangi bir bakım işlemi gerçekleştirmeden önce:

- ◆ Aleti kapatın ve fişten çekin.
- ◆ Ya da aletin çıkartılabilir aküsü varsa; aleti kapatın ve aküyü aletten çıkartın.
- ◆ Veya aletin dahili aküsü varsa, bitene kadar çalıştırın ve sonra kapatın.
- ◆ Şarj cihazını temizlemeden önce fişten çekin. Şarj cihazınız, düzenli temizlik dışında herhangi bir bakım gerektirmemektedir.
- ◆ Aletinizdeki ve şarj cihazındaki havalandırma deliklerini yumuşak bir fırça veya kuru bir bezle düzenli olarak temizleyin.
- ◆ Motor muhafazasını düzenli olarak nemli bir bezle silin. Aşındırıcı veya çözücü bazlı temizleyiciler kullanmayın.
- ◆ Mandreni düzenli olarak tamamen açın ve içindeki tozu dökmek için hafifçe vurun (mandren alete takılıysa).

## Çevrenin korunması



Ayrı olarak atın. Bu ürün, normal evsel atıklarla birlikte atılmamalıdır.

Black & Decker ürününüzün değiştirilmesi gerektiğini düşünmeniz veya artık kullanılamaz durumda olması halinde onu, evsel atıklarla birlikte atmayın. Bu ürünü, ayrı olarak toplanacak şekilde atın.



Kullanılmış ürünlerin ve ambalajların ayrı olarak toplanması bu maddelerin geri dönüşüme sokularak yeniden kullanılmasına olanak tanır. Geri dönüşümlü maddelerin tekrar kullanılmasına çevre kirliliğinin önlenmesine yardımcı olur ve ham madde ihtiyacını azaltır.

Yerel yönetmelikler, elektrikli ürünlerin evlerden toplanıp belediye atık tesislerine aktarılması veya yeni bir ürün satın alırken perakende satıcı tarafından toplanması yönünde hükümler içerebilir.

Black & Decker, hizmet ömrünün sonuna ulaşan Black & Decker ürünlerinin toplanması ve geri dönüşüme sokulması için bir imkan sunmaktadır. Bu hizmetin avantajlarından faydalanmak için, lütfen, ürününüzü bizim adımıza teslim edecek herhangi bir yetkili servise iade edin.

Bu kılavuzda belirtilen listeden size en yakın yetkili tamir servisinin yerini öğrenebilirsiniz. Ya da, alternatif olarak internette Black & Decker yetkili tamir servislerinin listesini ve satış sonrası hizmetlerimizle ilgili tüm bilgiler ve temas bilgilerine aşağıdaki siteden ulaşabilirsiniz. [www.2helpU.com](http://www.2helpU.com)

**Garanti**

Black & Decker, ürünün kalitesinden emindir ve bu yüzden kanunlarda belirtilen taleplerin üstünde bir garanti verir. Ayrıca bu garanti hiçbir şekilde garanti ile ilgili kanuni haklarınızı ihlal etmez ve haklarınızı hiç bir şekilde kısıtlamaz. İşbu garanti Avrupa Birliği'ne üye ülkeler ile Avrupa Serbest Ticaret Bölgesi sınırları dahilinde geçerlidir.

Eğer bir Black & Decker ürünü, satın alma tarihinden itibaren 24 ay içinde hatalı malzeme, işçilik ya da uygunsuzluk nedeniyle bozulursa, müşteriye mümkün olabilecek en az sorunu yaşatarak Black & Decker hatalı kısımları değiştirmeyi, adil bir şekilde aşınmış ve yıpranmış ürünleri tamir etmeyi veya değiştirmeyi garanti eder. Ancak bu belirtilenler şu durumlar dışında geçerlidir:

- Ürün ticari veya profesyonel amaçlarla kullanılmışsa veya kiraya verilmişse;
- Ürün yanlış veya amaç dışı kullanılmışsa;
- Ürün yabancı nesnelere, maddelere veya kaza sırasında zarar görmüşse;
- Yetkili tamir servisleri veya Black & Decker servis ekibinden başkası tarafından tamir edilmeye çalışılmışsa.

Garanti talebinde bulunmak için, satıcıya veya yetkili tamir servisine satın aldığınıza dair ispat sunmalısınız. Fatura ve garanti kartı gerekmektedir. Bu kılavuzda belirtilen listeden size en yakın yetkili tamir servisinin yerini öğrenebilirsiniz. Ya da, alternatif olarak internet'ten Black & Decker yetkili tamir servislerinin listesini ve satış sonrası hizmetlerimizle ilgili tüm bilgiler ve temas bilgilerine aşağıdaki siteden ulaşabilirsiniz.

**[www.2helpU.com](http://www.2helpU.com)**

Sanayi ve Ticaret Bakanlığı tebliğince kullanım ömrü 10 yıldır.

**Türkiye Distribütörü**

KALE HIRDAVAT VE MAKİNA A.Ş.  
Deferdar Mah. Savaklar Cad. No. 15 34050  
Edirnekapı Eyüp İstanbul  
Tel: (0212) 533 52 55 (Pbx)  
Faks: (0212) 533 10 05  
E-posta: [info@kalemakina.com](mailto:info@kalemakina.com)

