

DEWALT®

www.DEWALT.com

DWE550

DWE560

English (**original instructions**)

6

Русский (*перевод с оригинала инструкции*)

15

Українська (*переклад з оригінальної інструкції*)

30

Fig. A

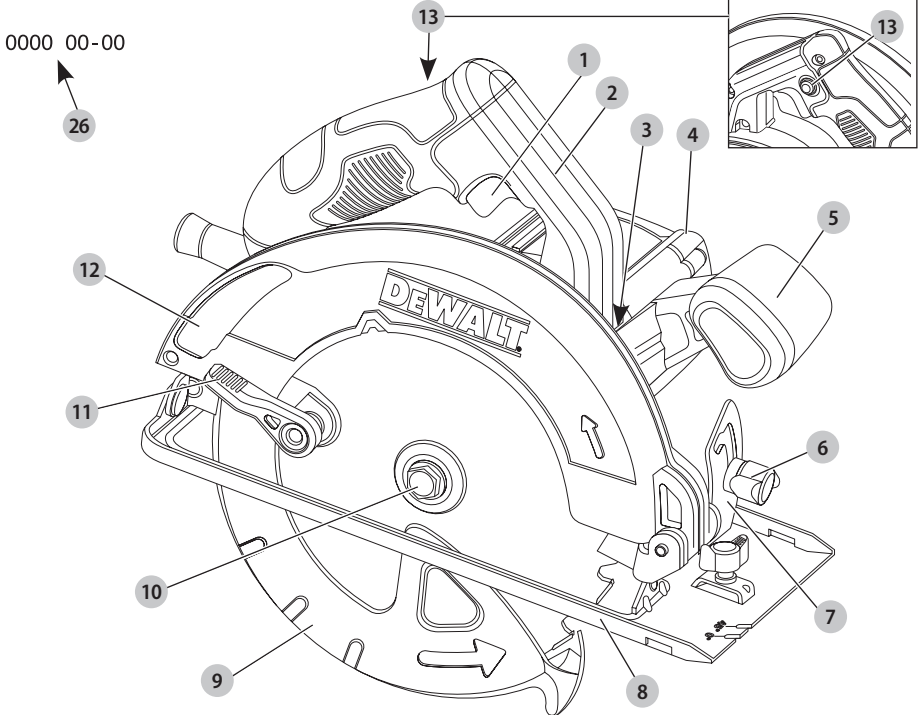


Fig. B

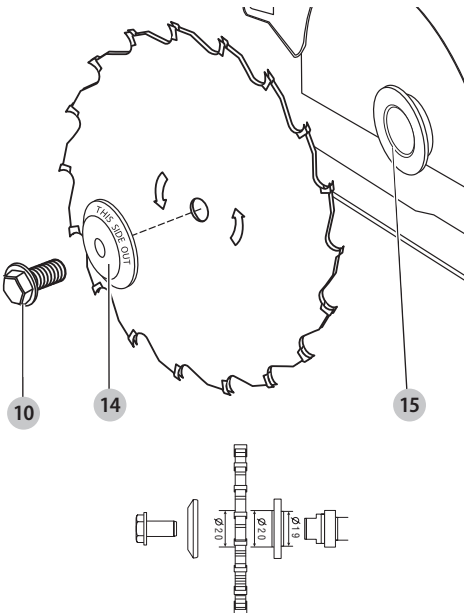


Fig. C

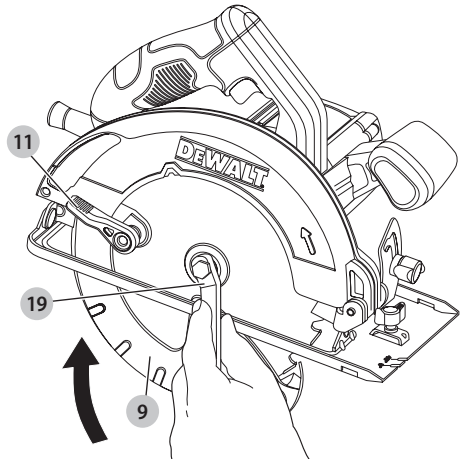


Fig. D

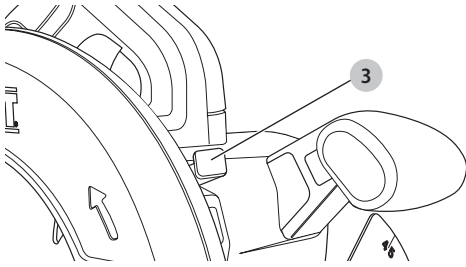


Fig. E

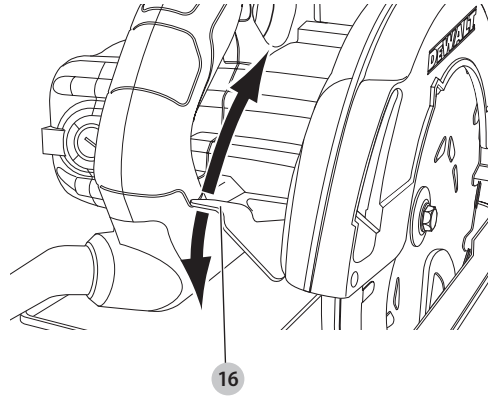


Fig. F

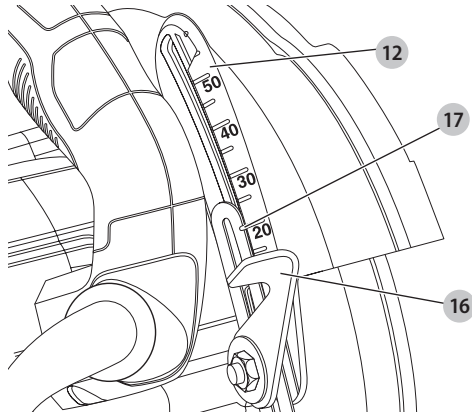


Fig. G

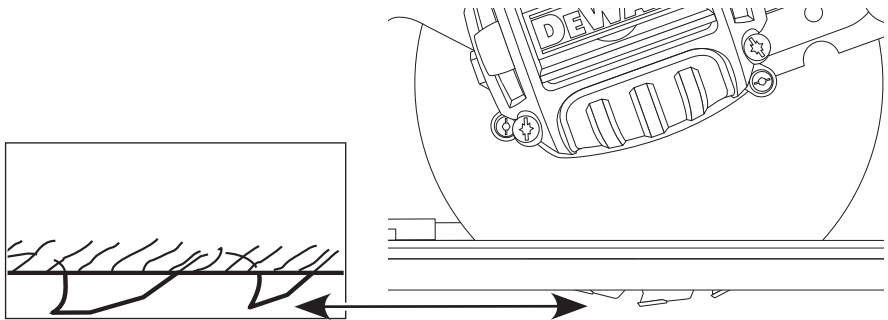


Fig. H

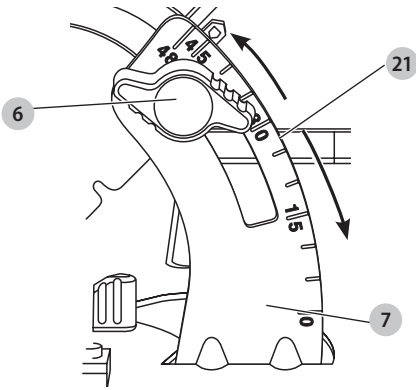


Fig. I

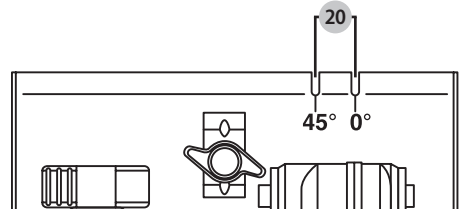


Fig. J

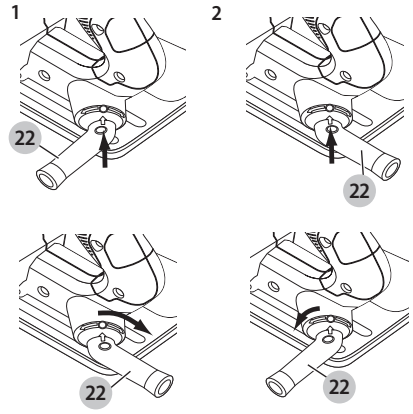
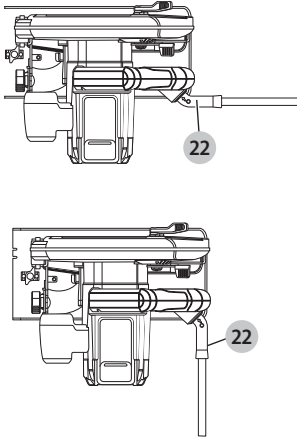


Fig. K

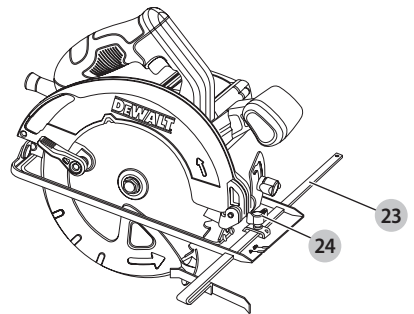
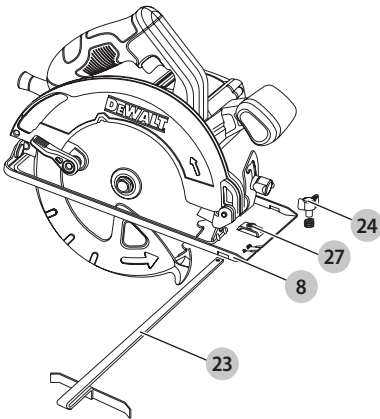


Fig. L

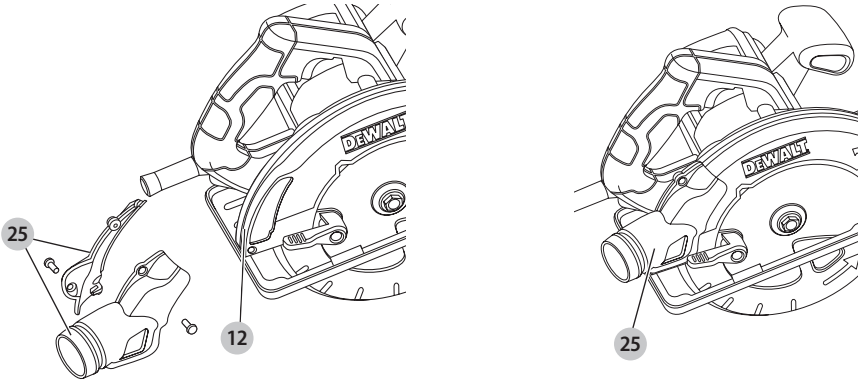


Fig. M

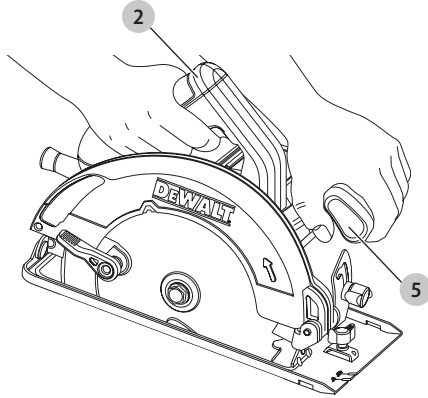


Fig. N

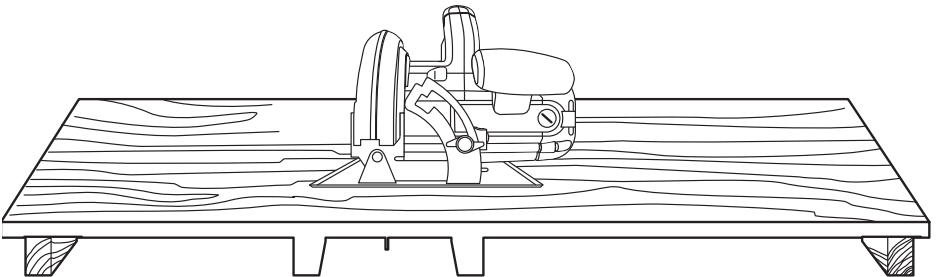


Fig. O

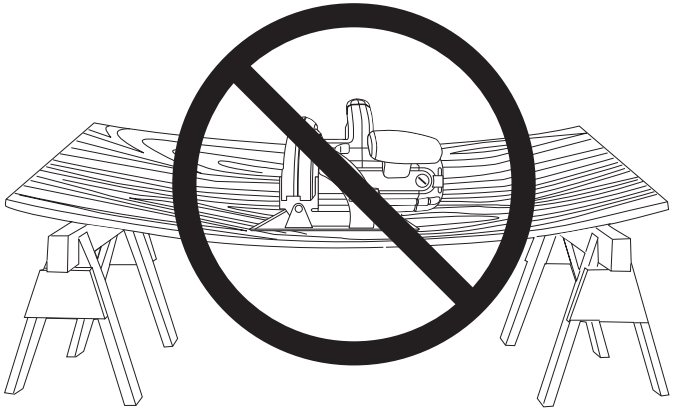


Fig. P

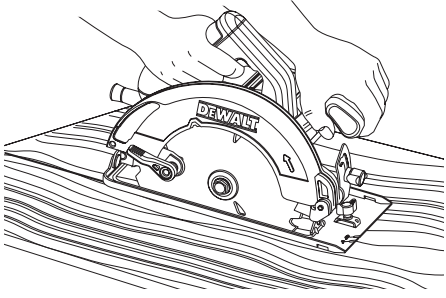


Fig. Q



Fig. R

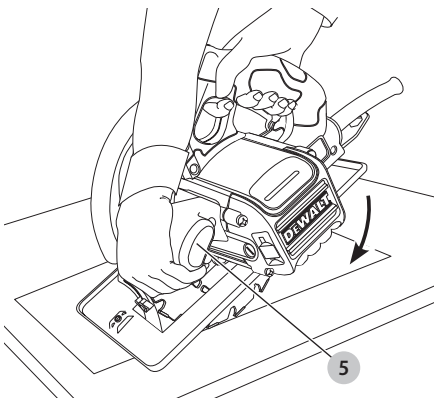
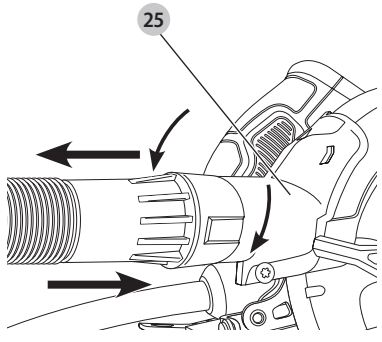


Fig. S



165 mm CIRCULAR SAW, DWE550

184 mm CIRCULAR SAW, DWE560

Congratulations!

You have chosen a DEWALT tool. Years of experience, thorough product development and innovation make DEWALT one of the most reliable partners for professional power tool users.

Technical Data

		DWE550	DWE560
Voltage	V _{AC}	230	230
UK & Ireland	V _{AC}	230/115	230/115
Type		1	1
Power input	W	1200	1350
No-load speed	min ⁻¹	5500	5500
Blade diameter	mm	165	184
Maximum depth of cut at			
90°	mm	55	65
45°	mm	35	42
Blade bore	mm	20	16
Bevel angle adjustment		48°	48°
Weight	kg	3.60	3.66

Noise values and/or vibration values (triax vector sum) according to EN62841:

L _{PA} (emission sound pressure level)	dB(A)	93	93
L _{WA} (sound power level)	dB(A)	104	104
K (uncertainty for the given sound level)	dB(A)	3	3

Cutting wood

Vibration emission value a _{h,W} =	m/s ²	<2.5	<2.5
Uncertainty K =	m/s ²	1.5	1.5

The vibration and/or noise emission level given in this information sheet has been measured in accordance with a standardised test given in EN62841 and may be used to compare one tool with another. It may be used for a preliminary assessment of exposure.

WARNING: The declared vibration and/or noise emission level represents the main applications of the tool. However if the tool is used for different applications, with different accessories or poorly maintained, the vibration and/or noise emission may differ. This may significantly increase the exposure level over the total working period.

An estimation of the level of exposure to vibration and/or noise should also take into account the times when the tool is switched off or when it is running but not actually doing the job. This may significantly reduce the exposure level over the total working period.

Identify additional safety measures to protect the operator from the effects of vibration and/or noise such as: maintain the tool and the accessories, keep the

hands warm (relevant for vibration), organisation of work patterns.

EC-Declaration of Conformity

Machinery Directive



Circular Saw DWE550, DWE560

DEWALT declares that these products described under **Technical Data** are in compliance with: 2006/42/EC, EN62841-1:2015, EN62841-2-5:2014.

These products also comply with Directive 2014/30/EU and 2011/65/EU. For more information, please contact DEWALT at the following address or refer to the back of the manual.

The undersigned is responsible for compilation of the technical file and makes this declaration on behalf of DEWALT.

Markus Rompel
Vice President of Engineering, PTE-Europe
DEWALT, Richard-Klinger-Straße 11,
D-65510, Idstein, Germany
16.08.2017



WARNING: To reduce the risk of injury, read the instruction manual.

Definitions: Safety Guidelines

The definitions below describe the level of severity for each signal word. Please read the manual and pay attention to these symbols.



DANGER: Indicates an imminently hazardous situation which, if not avoided, **will** result in **death or serious injury**.



WARNING: Indicates a potentially hazardous situation which, if not avoided, **could** result in **death or serious injury**.



CAUTION: Indicates a potentially hazardous situation which, if not avoided, **may** result in **minor or moderate injury**.

NOTICE: Indicates a practice **not related to personal injury** which, if not avoided, **may** result in **property damage**.



Denotes risk of electric shock.



Denotes risk of fire.

General Power Tool Safety Warnings



WARNING: Read all safety warnings, instructions, illustrations and specifications provided with this power tool. Failure to follow all instructions listed below may result in electric shock, fire and/or serious injury.

SAVE ALL WARNINGS AND INSTRUCTIONS FOR FUTURE REFERENCE

The term "power tool" in the warnings refers to your mains-operated (corded) power tool or battery-operated (cordless) power tool.

1) Work area safety

- a) **Keep work area clean and well lit.** Cluttered or dark areas invite accidents.
- b) **Do not operate power tools in explosive atmospheres, such as in the presence of flammable liquids, gases or dust.** Power tools create sparks which may ignite the dust or fumes.
- c) **Keep children and bystanders away while operating a power tool.** Distractions can cause you to lose control.

2) Electrical safety

- a) **Power tool plugs must match the outlet. Never modify the plug in any way. Do not use any adapter plugs with earthed (grounded) power tools.** Unmodified plugs and matching outlets will reduce risk of electric shock.
- b) **Avoid body contact with earthed or grounded surfaces such as pipes, radiators, ranges and refrigerators.** There is an increased risk of electric shock if your body is earthed or grounded.
- c) **Do not expose power tools to rain or wet conditions.** Water entering a power tool will increase the risk of electric shock.
- d) **Do not abuse the cord. Never use the cord for carrying, pulling or unplugging the power tool. Keep cord away from heat, oil, sharp edges or moving parts.** Damaged or entangled cords increase the risk of electric shock.
- e) **When operating a power tool outdoors, use an extension cord suitable for outdoor use.** Use of a cord suitable for outdoor use reduces the risk of electric shock.
- f) **If operating a power tool in a damp location is unavoidable, use a residual current device (RCD) protected supply.** Use of an RCD reduces the risk of electric shock.

3) Personal safety

- a) **Stay alert, watch what you are doing and use common sense when operating a power tool. Do not use a power tool while you are tired or under the influence of drugs, alcohol or medication.** A moment of inattention while operating power tools may result in serious personal injury.
- b) **Use personal protective equipment. Always wear eye protection.** Protective equipment such as dust mask,

non-skid safety shoes, hard hat, or hearing protection used for appropriate conditions will reduce personal injuries.

- c) **Prevent unintentional starting. Ensure the switch is in the off position before connecting to power source and/or battery pack, picking up or carrying the tool.** Carrying power tools with your finger on the switch or energising power tools that have the switch on invites accidents.
- d) **Remove any adjusting key or wrench before turning the power tool on.** A wrench or a key left attached to a rotating part of the power tool may result in personal injury.
- e) **Do not overreach. Keep proper footing and balance at all times.** This enables better control of the power tool in unexpected situations.
- f) **Dress properly. Do not wear loose clothing or jewellery. Keep your hair, clothing and gloves away from moving parts.** Loose clothes, jewellery or long hair can be caught in moving parts.
- g) **If devices are provided for the connection of dust extraction and collection facilities, ensure these are connected and properly used.** Use of dust collection can reduce dust-related hazards.
- h) **Do not let familiarity gained from frequent use of tools allow you to become complacent and ignore tool safety principles.** A careless action can cause severe injury within a fraction of a second.

4) Power tool use and care

- a) **Do not force the power tool. Use the correct power tool for your application.** The correct power tool will do the job better and safer at the rate for which it was designed.
- b) **Do not use the power tool if the switch does not turn it on and off.** Any power tool that cannot be controlled with the switch is dangerous and must be repaired.
- c) **Disconnect the plug from the power source and/or the battery pack, if detachable, from the power tool before making any adjustments, changing accessories, or storing power tools.** Such preventive safety measures reduce the risk of starting the power tool accidentally.
- d) **Store idle power tools out of the reach of children and do not allow persons unfamiliar with the power tool or these instructions to operate the power tool.** Power tools are dangerous in the hands of untrained users.
- e) **Maintain power tools and accessories. Check for misalignment or binding of moving parts, breakage of parts and any other condition that may affect the power tool's operation. If damaged, have the power tool repaired before use.** Many accidents are caused by poorly maintained power tools.
- f) **Keep cutting tools sharp and clean.** Properly maintained cutting tools with sharp cutting edges are less likely to bind and are easier to control.

- g) **Use the power tool, accessories and tool bits etc., in accordance with these instructions taking into account the working conditions and the work to be performed.** Use of the power tool for operations different from those intended could result in a hazardous situation.
- h) **Keep handles and grasping surfaces dry, clean and free from oil and grease.** Slippery handles and grasping surfaces do not allow for safe handling and control of the tool in unexpected situations.

5) Service

- a) **Have your power tool serviced by a qualified repair person using only identical replacement parts.** This will ensure that the safety of the power tool is maintained.

ADDITIONAL SPECIFIC SAFETY RULES FOR CIRCULAR SAW

Safety Instructions for All Saws



DANGER:

- a) **Keep hands away from cutting area and the blade. Keep your second hand on auxiliary handle, or motor housing.** If both hands are holding the saw, they cannot be cut by the blade.
- b) **Do not reach underneath the workpiece.** The guard cannot protect you from the blade below the workpiece.
- c) **Adjust the cutting depth to the thickness of the workpiece.** Less than a full tooth of the blade teeth should be visible below the workpiece.
- d) **Never hold the workpiece in your hands or across your leg while cutting. Secure the workpiece to a stable platform. It is important to support the work properly to minimize body exposure, blade binding, or loss of control.**
- e) **Hold the power tool by insulated gripping surfaces, when performing an operation where the cutting tool may contact hidden wiring or its own cord.**
Contact with a "live" wire will also make exposed metal parts of the power tool "live" and could give the operator an electric shock.
- f) **When ripping always use a rip fence or straight edge guide.** This improves the accuracy of cut and reduces the chance of blade binding.
- g) **Always use blades with correct size and shape (diamond versus round) of arbour holes.** Blades that do not match the mounting hardware of the saw will run eccentrically, causing loss of control.
- h) **Never use damaged or incorrect blade washers or bolt.** The blade washers and bolt were specially designed for your saw, for optimum performance and safety of operation.

Further Safety Instructions for All Saws

Causes and operator prevention of kickback:

- kickback is a sudden reaction to a pinched, bound or misaligned saw blade, causing an uncontrolled saw to lift up and out of the workpiece toward the operator;
- when the blade is pinched or bound tightly by the kerf closing down, the blade stalls and the motor reaction drives the unit rapidly back toward the operator;
- if the blade becomes twisted or misaligned in the cut, the teeth at the back edge of the blade can dig into the top surface of the wood causing the blade to climb out of the kerf and jump back toward the operator.

Kickback is the result of saw misuse and/or incorrect operating procedures or conditions and can be avoided by taking proper precautions as given below.

- a) **Maintain a firm grip with both hands on the saw and position your arms to resist kickback forces. Position your body to either side of the blade, but not in line with the blade.** Kickback could cause the saw to jump backwards, but kickback forces can be controlled by the operator, if proper precautions are taken.
- b) **When blade is binding, or when interrupting a cut for any reason, release the trigger and hold the saw motionless in the material until the blade comes to a complete stop. Never attempt to remove the saw from the work or pull the saw backward while the blade is in motion or kickback may occur.** Investigate and take corrective actions to eliminate the cause of blade binding.
- c) **When restarting a saw in the workpiece, centre the saw blade in the kerf and check that saw teeth are not engaged into the material.** If saw blade is binding, it may walk up or kickback from the workpiece as the saw is restarted.
- d) **Support large panels to minimise the risk of blade pinching and kickback. Large panels tend to sag under their own weight.** Supports must be placed under the panel on both sides, near the line of cut and near the edge of the panel.
- e) **Do not use dull or damaged blades.** Unsharpened or improperly set blades produce narrow kerf causing excessive friction, blade binding and kickback.
- f) **Blade depth and bevel adjusting locking levers must be tight and secure before making cut.** If blade adjustment shifts while cutting, it may cause binding and kickback.
- g) **Use extra caution when making a "plunge cut" into existing walls or other blind areas.** The protruding blade may cut objects that can cause kickback.

Safety Instructions for Saws with a Pendulum Blade Guard

- a) **Check the lower guard for proper closing before each use. Do not operate the saw if the lower guard does not move freely and close instantly.** Never clamp or tie the lower guard into the open position. If the saw is accidentally dropped, lower the guard may be bent. Raise the lower guard with the retracting handle and make sure

it moves freely and does not touch the blade or any other part, in all angles and depths of cut.


- b) **Check the operation of the lower guard spring. If the guard and the spring are not operating properly, they must be serviced before use.** Lower guard may operate sluggishly due to damaged parts, gummy deposits, or a build-up of debris.
- c) **The lower guard should be retracted manually only for special cuts such as "plunge cuts" and "compound cuts." Raise the lower guard by retracting handle and as soon as the blade enters the material, the lower guard must be released.** For all other sawing, the lower guard should operate automatically.
- d) **Always observe that the lower guard is covering the blade before placing saw down on bench or floor.** An unprotected, coasting blade will cause the saw to walk backwards, cutting whatever is in its path. Be aware of the time it takes for the blade to stop after switch is released.

Additional Safety Instructions for All Saws with Riving Knife

- a) **Use the appropriate saw blade for the riving knife.** For the riving knife to function, the body of the blade must be thinner than the riving knife and the cutting width of the blade must be wider than the thickness of the riving knife.
- b) **Adjust the riving knife as described in this instruction manual.** Incorrect spacing, positioning and alignment can make the riving knife ineffective in preventing kickback.
- c) **Always use the riving knife except when plunge cutting. Riving knife must be replaced after plunge cutting.** Riving knife causes interference during plunge cutting and can create kickback.
- d) **For the riving knife to work, it must be engaged in the workpiece.** The riving knife is ineffective in preventing kickback during short cuts.
- e) **Do not operate the saw if riving knife is bent.** Even a light interference can slow the closing rate of a guard.

Additional Safety Instructions for Circular Saws

- Do not operate the machine without guards in position, or if guards do not function or are not maintained properly.
- Select the correct blade for the material to be cut.
- **Wear a dust mask.**
- **Do not use blades of larger or smaller diameter than recommended.** For the proper blade rating refer to the **technical data**. Use only the blades specified in this manual, complying with EN 847-1.
- **Never use abrasive cut-off wheels.**
- When sawing plastic, melting of the material is to be avoided.
- Please use only saw blades that are marked with a speed equal or higher than the speed marked on the tool.

 **WARNING:** Cutting plastics, sap coated wood, and other materials may cause melted material to accumulate on the blade tips and the body of the saw blade, increasing the risk of blade overheating and binding while cutting.

 **WARNING:** We recommend the use of a residual current device with a residual current rating of 30mA or less.

Residual Risks

In spite of the application of the relevant safety regulations and the implementation of safety devices, certain residual risks cannot be avoided. These are:

- Impairment of hearing.
- Risk of personal injury due to flying particles.
- Risk of burns due to accessories becoming hot during operation.
- Risk of personal injury due to prolonged use.

Electrical Safety

The electric motor has been designed for one voltage only. Always check that the power supply corresponds to the voltage on the rating plate.



Your DEWALT tool is double insulated in accordance with EN62841; therefore no earth wire is required.



WARNING: 115 V units have to be operated via a fail-safe isolating transformer with an earth screen between the primary and secondary winding.

In case of cord or plug replacement the tool must only be repaired by an authorised service agent or by qualified electrician.

Mains Plug Replacement (U.K. & Ireland Only)

If a new mains plug needs to be fitted:

- Safely dispose of the old plug.
- Connect the brown lead to the live terminal in the plug.
- Connect the blue lead to the neutral terminal.



WARNING: No connection is to be made to the earth terminal.

Follow the fitting instructions supplied with good quality plugs. Recommended fuse: 13 A.

Using an Extension Cable

An extension cord should not be used unless absolutely necessary. Use an approved extension cable suitable for the power input of your charger (see **Technical Data**). The minimum conductor size is 1.5 mm²; the maximum length is 30 m.

When using a cable reel, always unwind the cable completely.

Package Contents

The package contains:

- 1 165 mm circular saw (DWE550) or
- 1 184 mm circular saw (DWE560)
- 1 Circular saw blade
- 1 Blade wrench

- 1 Parallel fence
- 1 Dust extraction spout
- 1 Instruction manual
- Check for damage to the tool, parts or accessories which may have occurred during transport.
- Take the time to thoroughly read and understand this manual prior to operation.

Markings on Tool

The following pictograms are shown on the tool:



Read instruction manual before use.



Wear ear protection.



Wear eye protection.

Date Code Position (Fig. A)

The date code **26**, which also includes the year of manufacture, is printed into the housing.

Example:

2019 XX XX

Year of Manufacture

Description (Fig. A)



WARNING: Never modify the power tool or any part of it. Damage or personal injury could result.

- 1 Trigger switch
- 2 Main handle
- 3 Blade lock
- 4 End cap
- 5 Auxiliary handle
- 6 Bevel adjustment knob
- 7 Bevel angle adjustment mechanism
- 8 Base plate
- 9 Lower blade guard
- 10 Blade clamping screw
- 11 Lower guard lever
- 12 Upper blade guard
- 13 Lock-off button

Intended Use

These heavy-duty circular saws are designed for professional wood cutting applications. **DO NOT** use water feed attachments with this saw. **DO NOT** use abrasive wheels or blades.

DO NOT use under wet conditions or in the presence of flammable liquids or gases.

These heavy-duty saws are professional power tools.

DO NOT let children come into contact with the tool.

Supervision is required when inexperienced operators use this tool.

- **Young children and the infirm.** This appliance is not intended for use by young children or infirm persons without supervision.
- This product is not intended for use by persons (including children) suffering from diminished physical, sensory or mental abilities; lack of experience, knowledge or skills unless they are supervised by a person responsible for their safety. Children should never be left alone with this product.

ASSEMBLY AND ADJUSTMENTS



WARNING: To reduce the risk of serious personal injury, turn tool off and disconnect tool from power source before making any adjustments or removing/installing attachments or accessories. Be sure the trigger switch is in the OFF position. An accidental start-up can cause injury.

Changing Blades

To Install the Blade (Fig. A–D)



CAUTION (DWE550 ONLY): The inner flange has a 20 mm diameter on one side and a 19 mm diameter on the other. The 19 mm diameter side is marked 19, and the 20 mm diameter side is marked 20. Use the correct side for the hole diameter of the blade you intend to use. Mounting the blade on the wrong side may result in dangerous vibration.

1. Using the lower guard lever **11**, retract the lower blade guard **9** and place blade on saw spindle against the inner clamp washer **15**, making sure that the blade will rotate in the proper direction (the direction of the rotation arrow on the saw blade and the teeth must point in the same direction as the direction of rotation arrow on the saw). Do not assume that the printing on the blade will always be facing you when properly installed. When retracting the lower blade guard to install the blade, check the condition and operation of the lower blade guard to assure that it is working properly. Make sure it moves freely and does not touch the blade or any other part, in all angles and depths of cut.
2. Place outer clamp washer **14** on saw spindle with the large flat surface against the blade and the wording on the outer clamp washer facing you.
3. Thread blade clamping screw **10** into saw spindle by hand (screw has right-hand threads and must be turned clockwise to tighten).
4. Depress the blade lock **3** while turning the saw spindle with the blade wrench until the blade lock engages and the blade stops rotating.
5. Tighten the blade clamping screw firmly with the blade wrench.

NOTE: Never engage the blade lock while saw is running, or engage in an effort to stop the tool. Never turn the saw on while the blade lock is engaged. Serious damage to your saw will result.

To Replace the blade (Fig. B–D)

1. To loosen the blade clamping screw **10**, depress the blade lock **3** and turn the saw spindle with the blade wrench **19** until the blade lock engages and the blade stops rotating. With the blade lock engaged, turn the blade clamping screw counterclockwise with the blade wrench (screw has right-hand threads and must be turned counterclockwise to loosen).
2. Remove the blade clamping screw **10** and outer clamp washer **14**. Remove old blade.
3. Clean any sawdust that may have accumulated in the guard or clamp washer area and check the condition and operation of the lower blade guard as previously outlined. Do not lubricate this area.
4. Always use blades that are the correct size (diameter) with the proper size and shape center hole for mounting on the saw spindle. Always assure that the maximum recommended speed (rpm) on the saw blade meets or exceeds the speed (rpm) of the saw.
5. Follow steps 1 through 5 under **To Install the Blade**, making sure that the blade will rotate in the proper direction.

Lower Blade Guard



WARNING: *The lower blade guard is a safety feature which reduces the risk of serious personal injury. Never use the saw if the lower guard is missing, damaged, misassembled or not working properly. Do not rely on the lower blade guard to protect you under all circumstances. Your safety depends on following all warnings and precautions as well as proper operation of the saw. Check lower guard for proper closing before each use. If the lower blade guard is missing or not working properly, have the saw serviced before using. To assure product safety and reliability, repair, maintenance and adjustment should be performed by an authorized service center or other qualified service organization, always using identical replacement parts.*

Checking the Lower Guard (Fig. A)

1. Turn tool off and disconnect from power supply.
2. Rotate the lower guard lever (Fig. A, **11**) from the fully closed position to the fully open position.
3. Release the lever **11** and observe the guard **9** return to the fully closed position.

The tool should be serviced by a qualified service center if it:

- fails to return to the fully closed position,
- moves intermittently or slowly, or
- contacts the blade or any part of the tool in all angles and depth of cut.

Depth of Cut Adjustment (Fig. E–G)

1. Raise the depth adjustment lever **16** to loosen.
2. To obtain the correct depth of cut, align the notch **17** on the depth adjustment strap with the appropriate mark on the upper blade guard **12**.
3. Tighten the depth adjustment lever

4. For the most efficient cutting action using a carbide tipped saw blade, set the depth adjustment so that about one half of a tooth projects below the surface of the wood to be cut.
5. A method of checking for the correct cutting depth is shown in Figure G. Lay a piece of the material you plan to cut along the side of the blade, as shown in the figure, and observe how much tooth projects beyond the material.

Bevel Angle Adjustment (Fig. H)

The bevel angle adjustment mechanism **7** can be adjusted between 0° and 48°.

1. Turn the bevel adjustment knob **6** to loosen.
2. Tilt the foot plate to the desired angle mark on the pivot bracket **21**.
3. Turn the bevel adjustment knob to retighten.

Kerf Indicator (Fig. I)

The front of the saw shoe has a kerf indicator **20** for vertical and bevel cutting. This indicator enables you to guide the saw along cutting lines penciled on the material being cut. The indicator lines up with the left (inner) side of the saw blade, which makes the slot or "kerf" cut by the moving blade fall to the right of the indicator. The notches on the base plate indicate 0° and 45°.

Adjustable Cord Protector (Fig. J)

The adjustable cord protector **22** allows the cord to be positioned vertical or parallel to the blade. It is shipped in the vertical position.

To Obtain the Parallel Position (Fig. J1)

1. Press the cord protector **22** in as indicated by the arrow.
2. Rotate the cord protector clockwise to the parallel position.

To Obtain the Vertical Position (Fig. J2)

1. Press the cord protector **22** in as indicated by the arrow.
2. Rotate the cord protector counterclockwise to the vertical position.

Mounting and Adjusting the Parallel Fence (Fig. K)

The parallel fence **23** is used for cutting parallel to the edge of the workpiece.

Mounting

1. Insert parallel fence adjustment knob **24** into the hole **27** as shown in Figure K, keeping the knob loose to allow the parallel fence to pass.
2. Insert the parallel fence **23** into the base plate **8** as shown in Figure K.
3. Tighten the parallel fence adjustment knob **24**.

Adjusting

1. Slacken the fence adjustment knob **24** and set the parallel fence **23** to the desired width. The adjustment can be read on the parallel fence scale.
2. Tighten the fence adjustment knob **24**.

Mounting the Dust Extraction Spout (Fig. A, E, L)

Your DWES50/DWE560 circular saw is supplied with a dust extraction spout.

To Install Dust Extraction Spout

1. Fully loosen depth adjustment lever (Fig. E, **16**).
2. Place base plate (Fig. A, **8**) in the lowest position.
3. Align the two halves of the dust extraction spout **25** over upper blade guard **12** as shown.
4. Insert screws and tighten securely.

Prior to Operation

- Make sure the guards have been mounted correctly. The saw blade guard must be in closed position.
- Make sure the saw blade rotates in the direction of the arrow on the blade.
- Do not use excessively worn saw blades..

OPERATION

Instructions for Use



WARNING: Always observe the safety instructions and applicable regulations.



WARNING: To reduce the risk of serious personal injury, turn tool off and disconnect tool from power source before making any adjustments or removing/installing attachments or accessories. Be sure the trigger switch is in the OFF position. An accidental start-up can cause injury.

Proper Hand Position (Fig. M)



WARNING: To reduce the risk of serious personal injury, ALWAYS use proper hand position as shown.



WARNING: To reduce the risk of serious personal injury, ALWAYS hold securely in anticipation of a sudden reaction.

Proper hand position requires one hand on the main handle **2**, with the other hand on the auxiliary handle **5**.

Switching On and Off (Fig. A)

For safety reasons the trigger switch **1** of your tool is equipped with a lock-off button **13**.

Press the lock-off button to unlock the tool.

To run the tool, press the trigger switch **1**. As soon as the trigger switch is released, the lock-off switch is automatically activated to prevent unintended starting of the machine.

NOTICE: Do not switch the tool ON or OFF when the saw blade touches the workpiece or other materials.

Workpiece Support (Fig. N–Q)



WARNING: To reduce the risk of serious personal injury, support the work properly and hold the saw firmly to prevent loss of control.

Figures N and P show proper sawing position. Figures O and Q show an unsafe condition. Hands should be kept away from

cutting area, and power cord is positioned clear of the cutting area so that it will not get caught or hung up on the work.

To avoid kickback, ALWAYS support board or panel NEAR the cut, (Fig. N and P). DON'T support board or panel away from the cut (Fig. O and Q). When operating the saw, keep the cord away from the cutting area and prevent it from becoming hung up on the work piece.

ALWAYS DISCONNECT SAW BEFORE MAKING ANY ADJUSTMENTS! Place the work with its "good" side—the one on which appearance is most important—down. The saw cuts upward, so any splintering will be on the work face that is up when you saw it.

Cutting



WARNING: Never attempt to use this tool by resting it upside down on a work surface and bringing the material to the tool. Always securely clamp the workpiece and bring the tool to the workpiece, securely holding the tool with two hands as shown in Figure P.

Place the wider portion of the saw foot plate on that part of the work piece which is solidly supported, not on the section that will fall off when the cut is made. As examples, Figure P illustrates the RIGHT way to cut off the end of a board. Always clamp work. Don't try to hold short pieces by hand! Remember to support cantilevered and overhanging material. Use caution when sawing material from below.

Be sure saw is up to full speed before blade contacts material to be cut. Starting saw with blade against material to be cut or pushed forward into kerf can result in kickback. Push the saw forward at a speed which allows the blade to cut without laboring. Hardness and toughness can vary even in the same piece of material, and knotty or damp sections can put a heavy load on the saw. When this happens, push the saw more slowly, but hard enough to keep working without much decrease in speed. Forcing the saw can cause rough cuts, inaccuracy, kickback, and over-heating of the motor. Should your cut begin to go off the line, don't try to force it back on. Release the switch and allow blade to come to a complete stop. Then you can withdraw the saw, sight anew, and start a new cut slightly inside the wrong one. In any event, withdraw the saw if you must shift the cut. Forcing a correction inside the cut can stall the saw and lead to kickback.

IF SAW STALLS, RELEASE THE TRIGGER AND BACK THE SAW UNTIL IT IS LOOSE. BE SURE BLADE IS STRAIGHT IN THE CUT AND CLEAR OF THE CUTTING EDGE BEFORE RESTARTING.

As you finish a cut, release the trigger and allow the blade to stop before lifting the saw from the work. As you lift the saw, the spring-tensioned telescoping guard will automatically close under the blade. Remember the blade is exposed until this occurs. Never reach under the work for any reason. When you have to retract the telescoping guard manually (as is necessary for starting pocket cuts) always use the retracting lever.

NOTE: When cutting thin strips, be careful to ensure that small cutoff pieces don't hang up on inside of lower guard.

Ripping

Ripping is the process of cutting wider boards into narrower strips – cutting grain lengthwise. Hand guiding is more difficult for this type of sawing and the use of a DEWALT parallel fence (Fig. K, 23) is recommended.

Pocket Cutting (Fig. R)



WARNING: Never tie the blade guard in a raised position. Never move the saw backwards when pocket cutting. This may cause the unit to raise up off the work surface which could cause injury.

A pocket cut is one that is made in a floor, wall or other flat surface.

1. Adjust the saw foot plate so the blade cuts at desired depth.
2. Tilt the saw forward and rest front of the foot plate on material to be cut.
3. Using the lower guard lever, retract lower blade guard to an upward position. Lower rear of foot plate until blade teeth almost touch cutting line.
4. Release the blade guard (its contact with the work will keep it in position to open freely as you start the cut). Remove hand from guard lever and firmly grip auxiliary handle 5, as shown in Figure R. Position your body and arm to allow you to resist kickback if it occurs.
5. Make sure blade is not in contact with cutting surface before starting saw.
6. Start the motor and gradually lower the saw until its foot plate rests flat on the material to be cut. Advance saw along the cutting line until cut is completed.
7. Release trigger and allow blade to stop completely before withdrawing the blade from the material.
8. When starting each new cut, repeat as above.



Dust Extraction (Fig. S)



WARNING: Risk of dust inhalation. To reduce the risk of personal injury, **ALWAYS** wear an approved dust mask.

A dust extraction spout 25 is supplied with your tool.

Vacuum hoses of most common vacuum extractors will fit directly into the dust extraction spout.



WARNING: ALWAYS use a vacuum extractor designed in compliance with the applicable directives regarding dust emission when sawing wood. Vacuum hoses of most common vacuum cleaners will fit directly into the dust extraction outlet.

AirLock Connector System - DWV9000 (Sold Separately) (Fig. S)

AirLock allows for a fast and secure connection between the tool's dust extraction spout 25 and the dust extractor.

1. Ensure the collar on the AirLock connector is in the unlock position. Align notches on collar and AirLock connector as shown for unlock and lock positions.
2. Push the AirLock connector onto the dust extraction spout 25.

3. Rotate the collar to the locked position.

MAINTENANCE

Your DEWALT power tool has been designed to operate over a long period of time with a minimum of maintenance. Continuous satisfactory operation depends upon proper tool care and regular cleaning.



WARNING: To reduce the risk of serious personal injury, turn tool off and disconnect tool from power source before making any adjustments or removing/installing attachments or accessories. Be sure the trigger switch is in the OFF position. An accidental start-up can cause injury.



Lubrication

Self lubricating ball and roller bearings are used in the tool and relubrication is not required. However, it is recommended that, once a year, you take or send the tool to a service center for a thorough cleaning, inspection and lubrication of the gear case.



Cleaning



WARNING: Blow dirt and dust out of the main housing with dry air as often as dirt is seen collecting in and around the air vents. Wear approved eye protection and approved dust mask when performing this procedure.

Lower Guard

The lower guard should always rotate and close freely from a fully open to fully closed position. Always check for correct operation before cutting by fully opening the guard and letting it close. If the guard closes slowly or not completely it will need cleaning or servicing. Do not use the saw until it functions correctly. To clean the guard, use dry air or a soft brush to remove all accumulated sawdust or debris from the path of the guard and from around the guard spring. Should this not correct the problem, it will need to be serviced by an authorized service center.



WARNING: Never use solvents or other harsh chemicals for cleaning the non-metallic parts of the tool. These chemicals may weaken the materials used in these parts. Use a cloth dampened only with water and mild soap. Never let any liquid get inside the tool; never immerse any part of the tool into a liquid.

Blades

A dull blade will cause inefficient cutting, overload on the saw motor, excessive splintering and increase the possibility of kickback. Change blades when it is no longer easy to push the saw through the cut, when the motor is straining, or when excessive heat is built up in the blade. It is a good practice to keep extra blades on hand so that sharp blades are available for immediate use. Dull blades can be sharpened in most areas. Hardened gum on the blade can be removed with kerosene, turpentine, or oven cleaner. Anti-stick coated blades can be

used in applications where excessive build-up is encountered, such as pressure treated and green lumber.

Optional Accessories



WARNING: *Since accessories, other than those offered by DeWALT, have not been tested with this product, use of such accessories with this tool could be hazardous. To reduce the risk of injury, only DeWALT recommended accessories should be used with this product.*

DO NOT USE WATER FEED ATTACHMENTS WITH THIS SAW.
VISUALLY EXAMINE CARBIDE BLADES BEFORE USE. REPLACE IF DAMAGED.

Consult your dealer for further information on the appropriate accessories.

Protecting the Environment



Separate collection. Products and batteries marked with this symbol must not be disposed of with normal household waste.

Products and batteries contain materials that can be recovered or recycled reducing the demand for raw materials. Please recycle electrical products and batteries according to local provisions. Further information is available at www.2helpU.com.

165 мм ДИСКОВАЯ ПИЛА, DWE550

184 мм ДИСКОВАЯ ПИЛА, DWE560

Поздравляем!

Вы приобрели инструмент DEWALT. Многолетний опыт, тщательная разработка изделий и инновации делают компанию DEWALT одним из самых надежных партнеров для пользователей профессиональных электроинструментов.

Технические характеристики

		DWE550	DWE560
Напряжение	$V_{\text{перем. тока}}$	230	230
Великобритания и Ирландия	$V_{\text{перем. тока}}$	230/115	230/115
Тип		1	1
Потребляемая мощность	Вт	1200	1350
Скорость без нагрузки	мин ⁻¹	5500	5500
Диаметр диска	мм	165	184
Максимальная глубина реза			
90°	мм	55	65
45°	мм	35	42
Диаметр посадочного отверстия	мм	20	16
Регулировка угла наклона		48°	48°
Вес	кг	3,60	3,66

Значения шума и/или вибрации (сумма векторов в трех плоскостях) в соответствии с EN62841:

L_{PA} (уровень звукового давления)	дБ(A)	93	93
L_{WA} (уровень акустической мощности)	дБ(A)	104	104
K (погрешность для заданного уровня мощности)	дБ(A)	3	3
Распиловка дерева			
Значения вибрационного воздействия $a_{h, w} =$	м/с ²	<2,5	<2,5
Погрешность K =	м/с ²	1,5	1,5

Значение воздействия вибрации и/или шума, указанное в данном справочном листке, было получено в соответствии со стандартным тестом, приведенным в EN62841, и может использоваться для сравнения инструментов. Кроме того, оно может использоваться для предварительной оценки воздействия вибрации.



ВНИМАНИЕ: Заявленное значение воздействия вибрации и/или шума относится к основным областям применения инструмента. Однако, если инструмент используется для различных целей, с различными дополнительными принадлежностями или при ненадлежащем уходе, то уровень шума и/или вибрации может измениться. Это может привести к значительному увеличению уровня воздействия вибрации в течение всего рабочего периода.

При расчете приблизительного значения уровня воздействия шума и/или вибрации также необходимо учитывать время, когда инструмент выключен или то время, когда он работает на холостом ходу. Это может привести к значительному снижению уровня воздействия вибрации в течение всего рабочего периода. Определите дополнительные меры техники безопасности для защиты оператора от воздействия шума и/или вибрации, а именно: поддержание инструмента и дополнительных принадлежностей в рабочем состоянии, создание комфортных условий работы (соответствующих вибрации), хорошая организация рабочего места.

Декларация о соответствии нормам ЕС

Директива по механическому оборудованию



Дисковая пила DWE550, DWE560

DEWALT заявляет, что продукция, описанная в разделе «Технические характеристики», соответствует: 2006/42/EC, EN62841-1:2015, EN62841-2-5:2014.

Эти продукты также соответствуют Директивам 2014/30/EU и 2011/65/EU. За дополнительной информацией обращайтесь в компанию DEWALT по адресу, указанному ниже или приведенному на задней стороне обложки руководства.

Нижеподписавший несет ответственность за составление технической документации и составил данную декларацию по поручению компании DEWALT.

Маркус Ромпель


Визе-президент отдела по разработке и производству, PTE-Europe
DEWALT, Richard-Klinger-Straße 11,
D-65510, Idstein, Германия
16.08.2017





ВНИМАНИЕ: Во избежание риска получения травм ознакомьтесь с инструкцией.

Обозначения: Правила техники безопасности


Ниже описывается уровень опасности, обозначаемый каждым из предупреждений. Прочитайте руководство и обратите внимание на данные символы.

 **ОПАСНО:** Обозначает опасную ситуацию, которая неизбежно приведет к **серьезной травме или смертельному исходу**, в случае несоблюдения соответствующих мер безопасности.

 **ВНИМАНИЕ:** Указывает на потенциально опасную ситуацию, которая, в случае несоблюдения соответствующих мер безопасности, **может** привести к **серьезной травме или смертельному исходу**.


 **ПРЕДУПРЕЖДЕНИЕ:** Указывает на потенциально опасную ситуацию, которая, в случае несоблюдения соответствующих мер безопасности, **может** стать причиной **травм средней или легкой степени тяжести**.

ПРИМЕЧАНИЕ: Указывает на практики, использование которых не связано с получением травмы, но если ими пренебречь, могут привести к порче имущества.

 Указывает на риск поражения электрическим током.

 Указывает на риск возгорания.

Общие правила техники безопасности при использовании электроинструментов

 **ВНИМАНИЕ:** Прочтите все правила техники безопасности, инструкции, иллюстрации и спецификации по данному электроинструменту. Несоблюдение всех приведенных ниже инструкций может стать причиной поражения электрическим током, возгорания и/или тяжелой травмы.

СОХРАНИТЕ ВСЕ ИНСТРУКЦИИ ДЛЯ ПОСЛЕДУЮЩЕГО ИСПОЛЬЗОВАНИЯ

Термин «электроинструмент» в предупреждениях относится к работающим от сети (проводным) электроинструментам или работающим от аккумуляторной батареи (беспроводным) электроинструментам.

1) Безопасность на рабочем месте

- Следите за чистой и хорошим освещением на рабочем месте.** Беспорядок или плохое освещение на рабочем месте могут стать причиной несчастного случая.
- Запрещается работать с электроинструментами во взрывоопасных местах, например, вблизи легковоспламеняющихся жидкостей, газов и пыли.** Искры, которые появляются при работе электроинструментов могут привести к воспламенению пыли или паров.
- Следите за тем, чтобы во время работы с электроинструментом в зоне работы не было**

посторонних и детей. Отвлекаясь от работы вы можете потерять контроль над инструментом.

2) Электробезопасность

- Штепсельная вилка электроинструмента должна соответствовать розетке. Никогда не меняйте вилку инструмента. Запрещается использовать переходники к вилкам для электроинструментов с заземлением.** Использование оригинальных штепсельных вилок, соответствующих типу сетевой розетки снижает риск поражения электрическим током.
- Избегайте контакта с заземленными поверхностями, такими как трубы, радиаторы и холодильники.** Если вы будете заземлены, увеличивается риск поражения электрическим током.
- Запрещается оставлять электроинструмент под дождем и в местах повышенной влажности.** При попадании воды в электроинструмент, риск поражения электрическим током возрастает.
- Берегите кабель от повреждений. Никогда не используйте кабель для переноски электроинструмента, не тяните за него, пытайтесь отключить инструмент от сети. Держите кабель подальше от источников тепла, масла, острых углов или движущихся предметов.** Поврежденный или запутанный кабель питания повышает риск поражения электрическим током.
- При работе с электроинструментом вне помещения необходимо пользоваться удлинителем, рассчитанным на эксплуатацию в соответствующих условиях.** Использование кабеля питания, предназначенного для использования вне помещения, снижает риск поражения электрическим током.
- При необходимости эксплуатации электроинструмента в местах с повышенной влажностью используйте устройство защитного отключения (УЗО).** Использование УЗО снижает риск поражения электрическим током.

3) Обеспечение индивидуальной безопасности

- При работе с электроинструментом сохраняйте бдительность, следите за своими действиями и руководствуйтесь здравым смыслом. Не работайте с электроинструментом, если вы устали, находитесь в состоянии наркотического, алкогольного опьянения или под воздействием лекарственных препаратов.** Невнимательность при работе с электроинструментом может привести к серьезным травмам.
- Используйте средства индивидуальной защиты. Всегда надевайте защитные очки.**

Средства защиты, такие как пылезащитная маска, обувь с нескользящей подошвой, каска и защитные наушники, используемые при работе, уменьшают риск получения травм.

- c) **Примите меры для предотвращения случайного включения. Перед тем как подключить электроинструмент к сети и/или аккумуляторной батарее, взять инструмент или перенести его на другое место, убедитесь в том, что выключатель находится в положении Выкл.** Если при переноске электроинструмента он подключен к сети, и при этом ваш палец находится на выключателе, это может стать причиной несчастных случаев.
- d) **Уберите все регулировочные или гаечные ключи перед включением электроинструмента.** Ключ, оставленный на вращающейся части электроинструмента, может привести к травме.
- e) **Не пытайтесь дотянуться до слишком удаленных поверхностей. Всегда твердо стойте на ногах, сохраняя равновесие.** Это позволит лучше контролировать электроинструмент в непредвиденных ситуациях.
- f) **Одевайтесь соответствующим образом. Не носите свободную одежду и ювелирные украшения. Следите за тем, чтобы волосы и одежда не попадали под движущиеся детали.** Возможно наматывание свободной одежды, ювелирных изделий и длинных волос на движущиеся детали.
- g) **При наличии устройств для подключения оборудования для удаления и сбора пыли необходимо обеспечить правильность их подключения и эксплуатации.** Использование устройства для пылеудаления сокращает риски, связанные с пылью.
- h) **Не позволяйте хорошему знанию от частого использования инструментов стать причиной самонадеянности и игнорирования правил техники безопасности.** Небрежное действие может повлечь серьезные травмы за долю секунды.

4) Эксплуатация электроинструмента и уход за ним

- a) **Избегайте чрезмерной нагрузки электроинструмента. Используйте электроинструмент в соответствии с назначением.** Правильно подобранный электроинструмент выполнит работу более эффективно и безопасно при стандартной нагрузке.
- b) **Не пользуйтесь инструментом, если не работает выключатель.** Любой инструмент, управлять выключением и включением которого невозможно, опасен, и его необходимо отремонтировать.
- c) **Перед выполнением любых настроек, сменой аксессуаров или прежде чем убрать**

инструмент на хранение, отключите его от сети и/или снимите с него аккумуляторную батарею, если ее можно снять. Такие превентивные меры безопасности сокращают риск случайного включения электроинструмента.

- d) **Храните электроинструмент в недоступном для детей месте и не позволяйте работать с инструментом людям, не имеющим соответствующих навыков работы с такого рода инструментами.** Электроинструмент представляет опасность в руках неопытных пользователей.
- e) **Поддерживайте электроинструмент и принадлежности в исправном состоянии. Проверьте, не нарушена ли центровка или не заклинены ли движущиеся детали, нет ли поврежденных или иных неисправностей, которые могли бы повлиять на работу электроинструмента. В случае обнаружения повреждений, прежде чем приступить к эксплуатации электроинструмента, его следует отремонтировать.** Большинство несчастных случаев происходит из-за электроинструментов, которые не обслуживаются должным образом.
- f) **Следите за остротой заточки и чистотой режущих принадлежностей.** Вероятность заклинивания инструмента, за которым следят должным образом и который хорошо заточен, значительно меньше, а работать с ним легче.
- g) **Используйте данный электроинструмент, а также дополнительные приспособления и насадки в соответствии с данными инструкциями и с учетом условий и специфики работы.** Использование электроинструмента для выполнения операций, для которых он не предназначен, может привести к созданию опасных ситуаций.
- h) **Все рукоятки и поверхности захватывания должны быть сухими и без следов смазки.** Скользкие рукоятки и поверхности захватывания не позволяют обеспечить безопасность работы и управления инструментом в непредвиденных ситуациях.

5) Сервисное обслуживание

- a) **Обслуживание электроинструмента должно выполняться только квалифицированным техническим персоналом.** Это позволит обеспечить безопасность обслуживаемого инструмента.

ДОПОЛНИТЕЛЬНЫЕ ПРАВИЛА ТЕХНИКИ БЕЗОПАСНОСТИ ДЛЯ ДИСКОВОЙ ПИЛЫ

Инструкции по технике безопасности для

всех типов пил



ОПАСНО:

- a) **Держите руки на расстоянии от области распила и диска. Держите вторую руку на дополнительной рукоятке или на корпусе двигателя.** Если пила удерживается обеими руками, вероятность пореза рук диском исключается.
- b) **Не держите руки под обрабатываемой деталью.** Защитный кожух не защищает руки от касания диска под заготовкой.
- c) **Отрегулируйте глубину резки в соответствии с толщиной обрабатываемой детали.** Под заготовкой должно быть видно менее полной высоты зуба диска.
- d) **Никогда не удерживайте заготовку в руках или прижав ее к ноге во время резки. Зафиксируйте заготовку на неподвижной опоре. Необходимо надлежащим образом закрепить обрабатываемую деталь, чтобы снизить риска травмы, заклинивания диска или потери контроля.**
- e) **Удерживайте электроинструмент за изолированные поверхности при выполнении работ, во время которых имеется вероятность контакта инструмента со скрытой электропроводкой.** Контакт с проводом под напряжением приводит к подаче напряжения на соприкасающиеся с ним металлические детали электроинструмента и к поражению оператора электрическим током.
- f) **Во время продольной распиловки всегда используйте направляющую планку или направлятель детали.** Это повышает точность распила и снижает вероятность заклинивания диска.
- g) **Всегда используйте диски с посадочными отверстиями соответствующего размера и формы (ромбовидные или круглые).** Диски, которые не соответствуют крепежным приспособлениям пилы, будут вращаться несимметрично относительно центра, что может привести к потере управления.
- h) **Ни в коем случае не используйте поврежденные или несоответствующие шайбы или болты для дисков.** Шайбы и болты для дисков были разработаны специально для данной пилы с целью обеспечения оптимальной производительности и безопасности во время работы.

Инструкции по технике безопасности для всех пил

Причины возникновения обратного удара и способы ее предупреждения:

- обратный удар представляет собой внезапную реакцию на защемление, застревание или смещение пильного диска, что приводит к неконтролируемому подъему пилы из заготовки в направлении оператора;
- если диск зажимается или застревает в пропиле, он останавливается, а реакция электродвигателя приводит к тому, что инструмент быстро смещается в направлении оператора;
- если диск перекашивается или смещается в пропиле, зубья на его задней кромке могут войти в верхнюю часть деревянной детали, что приведет к выходу диска из пропила и его скачку в направлении оператора.

Обратный удар является результатом использования пилы не по назначению и/или неправильных действий оператора и условий работы, и его можно избежать, соблюдая следующие меры безопасности.

- a) **Прочно удерживайте пилу обеими руками таким образом, чтобы иметь возможность погасить энергию отдачи. Ваше тело должно находиться сбоку от пильного диска, а не на одной прямой с ним.** Обратный удар может привести к отскакиванию пилы назад, но оператор может гасить эту энергию, при условии соблюдения надлежащих мер.
- b) **В случае заклинивания диска или прекращения распиловки по любой причине, отпустите курковый пусковой выключатель и удерживайте пилу неподвижно в заготовке до полной остановки диска. Никогда не пытайтесь вытащить пилу из заготовки или потянуть пилу назад во время вращения диска, это может привести к отдаче.** Выясните причину и примите надлежащие меры по устранению причины заклинивания диска.
- c) **При перезапуске пилы в детали отцентрируйте диск в пропиле и убедитесь в том, что пильные зубья не касаются материала.** Если диск заклинил, он может подскочить вверх или ударить назад при повторном запуске пилы.
- d) **Поддерживайте большие панели, чтобы снизить риск защемления или заклинивания диска. Большие заготовки прогибаются под тяжестью собственного веса.** Опору нужно поставить под обе стороны панели, около линии разреза и около края панели.
- e) **Не используйте тупые или поврежденные диски.** Тупые или неправильно установленные диски образуют узкий пропил, что приводит к повышенному трению, заклиниванию диска и образованию отдачи.

- f) Рычаги настройки глубины пропила и угла резки на конус перед началом работы должны быть затянуты и зафиксированы. В случае сбоя регулировки диска во время работы может произойти заклинивание и отдача.
- g) Соблюдайте повышенную осторожность при выполнении врезного пиления стен или в других слепых зонах. Выступающий диск может разрезать поперечные предметы, что, в свою очередь, может привести к образованию отдачи.

Инструкции по технике безопасности для пил с маятниковым защитным кожухом диска

- a) Перед каждым использованием проверяйте, правильно ли закрыт нижний защитный кожух. Не используйте пилу, если нижний защитный кожух не перемещается свободно и не закрывает диск постоянно. Никогда не зажимайте и не подвязывайте нижний защитный кожух в открытом положении. Если пила случайно упадет, защитный кожух может погнуться. Поднимите нижний защитный кожух при помощи тягивающей рукоятки и убедитесь в том, что защитный кожух перемещается свободно и не соприкасается с диском или другими деталями при любых углах и глубине распила.
- b) Проверьте функционирование и состояние возвратной пружины нижнего защитного кожуха. Если защитный кожух и пружина не работают должным образом, то перед использованием пилы необходимо устранить неисправности. Нижний защитный кожух может перемещаться замедленно из-за повреждения деталей, отложения клейких веществ или скопления мусора.
- c) Нижний защитный кожух следует тягивать вручную только при выполнении специальных разрезов, например, для «врезных» и «комбинированных распилов». Поднимите нижний защитный кожух при помощи тягивающей рукоятки, а когда диск соприкоснется с материалом, опустите нижний защитный кожух. Для всех других типов распила нижний защитный кожух должен работать в автоматическом режиме.
- d) Всегда следите за тем, чтобы нижний защитный кожух закрывал диск, прежде чем класть пилу на верстак или на пол. Незащищенный диск во время выбега приведет к смещению пилы назад и пиленнию всех находящихся на траектории движения предметов. Помните, что после отпускания выключателя требуется некоторое время для полной остановки диска.

Дополнительные инструкции по технике безопасности для всех типов пил с расклинивающим ножом

- a) **Используйте правильный тип пильного диска для расклинивающего ножа.** Для того чтобы расклинивающий нож работал, корпус диска должен быть тоньше, чем расклинивающий нож, а ширина режущей кромки должна быть больше толщины расклинивающего ножа.
- b) **Отрегулируйте расклинивающий нож так, как описано в данном руководстве по эксплуатации.** Неправильный зазор, позиционирование и подгонка могут привести к тому, что расклинивающий нож не будет препятствовать отдаче.
- c) **Всегда используйте расклинивающий нож, за исключением случаев врезного пиления. Расклинивающий нож необходимо заменить после врезного пиления.** Расклинивающий нож вызывает помехи во время врезного пиления и может вызвать отдачу.
- d) **Для того чтобы расклинивающий нож работал, его необходимо установить в обрабатываемую деталь.** Расклинивающий нож не препятствует отдаче при выполнении коротких распилов.
- e) **Не используйте пилу, если расклинивающий нож заземлен.** Даже незначительная помеха может снизить скорость срабатывания защитного кожуха.

Инструкции по технике безопасности для всех пил

- Не используйте инструмент без установленных защитных кожухов или если защитный кожух не функционирует или не обслужен должным образом.
- Правильно подбирайте диск в соответствии с материалом.
- **Надевайте респиратор.**
- **Не используйте диски меньшего или большего диаметра по сравнению с рекомендованными.** Размеры дисков см. в разделе «Технические характеристики». Используйте только диски, указанные в данном руководстве и соответствующие стандарту EN 847-1.
- **Ни в коем случае не используйте абразивные отрезные круги.**
- В случае распиловки пластмассы следует избегать плавления материала.
- Используйте только пильные диски с отмеченной скоростью, равной или превышающей скорость, указанную на инструменте.



ВНИМАНИЕ: Резка пластмассы, пропитанной древесиной и других материалов может привести к накоплению расплавленного материала на краях

диска и корпусе пильного диска, что увеличивает риск перегрева и заклинивания во время резки.



ВНИМАНИЕ: Рекомендуется использовать устройство защитного отключения (УЗО) с током утечки до 30 мА.

Остаточные риски

Несмотря на соблюдение соответствующих инструкций по технике безопасности и использование предохранительных устройств, некоторые остаточные риски невозможно полностью исключить. А именно:

- Ухудшение слуха.
- Риск травм от разлетающихся частиц.
- Риск получения ожогов в результате нагревания инструмента в процессе работы.
- Риск получения травмы в результате продолжительной работы.

Электробезопасность

Электродвигатель рассчитан на работу только при одном напряжении сети. Необходимо обязательно убедиться в том, что напряжение источника питания соответствует указанному на шильдике электроинструмента.



Ваш инструмент DEWALT имеет двойную изоляцию в соответствии с EN62841; поэтому не требуется заземление при работе с ним.



ВНИМАНИЕ: Питание для инструмента с рабочим напряжением 115 В должно поступать через безопасный разделительный трансформатор с заземленным экраном между первичной и вторичной обмотками.

При необходимости замены поврежденного кабеля или вилки, ремонт инструмент необходимо проводить в специализированном сервисном центре или его должен выполнить квалифицированный электрик.

Замена штепсельной вилки (только для Великобритании и Ирландии)

Если необходимо установить новую штепсельную вилку:

- Осторожно снимите старую вилку.
- Подсоедините коричневый провод к терминалу фазы в вилке.
- Подсоедините синий провод к нулевому терминалу.



ВНИМАНИЕ: Заземление не требуется.

Соблюдайте инструкции по установке вилок высокого качества. Рекомендованный предохранитель: 13 А.

Использование удлинительного кабеля

Используйте удлинительный кабель только в случае крайней необходимости. Используйте только утвержденные удлинители промышленного производства, рассчитанные на мощность не меньшую, чем потребляемая мощность зарядного устройства (см. Раздел «Технические характеристики»). Минимальное поперечное сечение провода электрического кабеля должно составлять 1,5 мм²; максимальная длина 30 м.

При использовании кабельного барабана всегда полностью разматывайте кабель.

Комплектация поставки

В упаковку входят:

- 1 165 мм дисковая пила (DWE550) или
 - 1 184 мм дисковая пила (DWE560)
 - 1 Пильный диск
 - 1 Ключ для установки диска
 - 1 Параллельная направляющая
 - 1 Переходник для пылесоса
 - 1 Руководство по эксплуатации
- Проверьте инструмент, детали и дополнительные принадлежности на наличие повреждений, которые могли произойти во время транспортировки.
 - Перед эксплуатацией внимательно прочтите данное руководство.

Маркировка инструмента

На инструмент нанесены следующие обозначения:



Перед началом работы прочтите руководство по эксплуатации.



Используйте защитные наушники.



Используйте защитные очки.

Местоположение кода даты (Рис. А)

Код даты **26**, который также включает год изготовления, напечатан на корпусе.

Пример:

2019 XX XX
Год производства

Описание (Рис. А)



ВНИМАНИЕ: Никогда не вносите изменения в конструкцию электроинструмента или какой-либо его части. Это может привести к повреждению или травме.

- 1 Курковый пусковой выключатель
- 2 Основная рукоятка
- 3 Фиксатор диска
- 4 Торцевая крышка
- 5 Дополнительная рукоятка
- 6 Рукоятка регулировки угла наклона
- 7 Механизм регулировки угла наклона
- 8 Основание
- 9 Нижний защитный кожух диска
- 10 Зажимной винт пильного диска
- 11 Рычаг нижнего защитного кожуха
- 12 Верхний защитный кожух диска
- 13 Кнопка блокировки пускового выключателя

Назначение

Данные дисковые пилы высокой мощности предназначены для профессиональных работ по распиловке дерева. **НЕ ИСПОЛЬЗУЙТЕ** устройства подачи воды с данной пилой. **НЕ ИСПОЛЬЗУЙТЕ** абразивные отрезные круги или диски.

НЕ ИСПОЛЬЗУЙТЕ в условиях повышенной влажности или поблизости от легковоспламеняющихся жидкостей или газов.

Эти пилы высокой мощности являются профессиональными электроинструментами.

НЕ РАЗРЕШАЙТЕ детям прикасаться к инструменту.

Использование инструмента неопытными пользователями должно происходить под контролем опытного лица.

- **Малолетние дети и люди с ограниченными физическими возможностями.** Этот инструмент не предназначен для использования малолетними детьми или людьми с ограниченными физическими возможностями кроме как под контролем лица, отвечающего за их безопасность.
- Данный инструмент не предназначен для использования лицами (включая детей) с ограниченными физическими, психическими и умственными возможностями, не имеющими опыта, знаний или навыков работы с ним, если они не находятся под наблюдением лица, ответственного за их безопасность. Никогда не оставляйте детей без присмотра с этим инструментом.

СБОРКА И РЕГУЛИРОВКА



ВНИМАНИЕ: Чтобы снизить риск получения серьезных травм, выключайте инструмент и отключайте его от сети перед тем, как выполнять какие-либо регулировки или снимать/устанавливать приспособления или дополнительные принадлежности. Убедитесь в том, что курковый пусковой выключатель находится в положении «ВЫКЛ.». Случайный запуск может привести к травме.

Смена пильных дисков

Установка пильного диска (Рис. А–D)



ПРЕДУПРЕЖДЕНИЕ (ТОЛЬКО ДЛЯ DW550):

Внутренний фланец имеет диаметр 20 мм с одной стороны и 19 мм с другой. Сторона диаметром 19 мм помечена цифрой 19; сторона диаметром 20 мм помечена цифрой 20. Используйте сторону, соответствующую диаметру посадочного отверстия диска, который вы собираетесь использовать. Установка диска на неправильной стороне может привести к опасной вибрации.

1. При помощи рычага нижнего защитного кожуха **11**, втяните нижний защитный кожух диска **9** и установите пильный диск на шпindel пилы вплотную к внутренней зажимной шайбе **15**, при этом убедившись, что диск вращается в правильном направлении (стрелка-индикатор вращения на диске и зубья должны указывать в том же направлении, что и стрелка-индикатор на

пиле). Помните, что при правильной установке диска нанесенная на него печать не всегда будет развернута в сторону оператора. При втягивании нижнего защитного кожуха для установки пильного диска проверьте состояние и функционирование нижнего защитного кожуха, чтобы убедиться в его надлежащей работе. Убедитесь в том, что он перемещается свободно и не прикасается к диску или другим деталям при любых углах и глубине распила.

2. Поместите внешнюю прижимную шайбу **14** на шпindel широкой плоской поверхностью на диск и нанесенной на нее печатью, обращенной к оператору.
3. Вручную вкрутите зажимной винт пильного диска **10** в шпindel (винт имеет правостороннюю резьбу и должен затягиваться по часовой стрелке).
4. Нажмите на фиксатор диска **3**, вращая при этом шпindel пилы входящим в комплект поставки ключом для установки диска, до тех пор, пока не сработает фиксатор диска и диск не перестанет вращаться.
5. Крепко затяните зажимной винт пильного диска при помощи ключа для диска.

ПРИМЕЧАНИЕ: Не задействуйте фиксатор диска при работе пилы или в попытке остановить инструмент. Не включайте пилу при задействованной блокировке диска. Это приведет к серьезным повреждениям пилы.

Замена пильного диска (Рис. В–D)

1. Чтобы ослабить зажимной винт пильного диска **10**, нажмите на фиксатор диска **3** и поворачивайте шпindel пилы ключом для установки диска **19** до тех пор, пока фиксатор диска не сработает и диск не перестанет вращаться. Задействовав фиксатор диска, поверните зажимной винт диска против часовой стрелки ключом диска (винт имеет правостороннюю резьбу и должен ослабляться против часовой стрелки).
2. Извлеките зажимной винт пильного диска **10** и внешнюю зажимную шайбу **14**. Снимите старый пильный диск.
3. Вычистите накопившиеся в защитном кожухе или в области зажимной шайбы опилки и проверьте состояние и работу нижнего защитного кожуха диска, как указано выше. Не наносите смазку на данную область.
4. Всегда используйте диски правильного размера (диаметра) с соответствующим размером и формой посадочного отверстия для установки на шпindel пилы. Всегда убеждайтесь, что максимальная рекомендуемая скорость (об./мин) пильного диска соответствует или превышает скорость (об./мин) пилы.
5. Следуйте этапам 1–5 в разделе «**Установка диска**», убедившись, что диск будет вращаться в правильном направлении.

Нижний защитный кожух диска



ВНИМАНИЕ: Нижний защитный кожух диска является защитным приспособлением, снижающим риск получения тяжелой телесной травмы. Не используйте пилу, если нижний защитный кожух

отсутствует, поврежден, неправильно установлен или не работает должным образом. Помните, что нижний защитный кожух не способен защитить вас при любых обстоятельствах. Ваша безопасность зависит от следования всем предупреждениям и предостережениям, а также правильной эксплуатации пилы. Перед каждым использованием проверяйте, правильно ли закрыт нижний защитный кожух. Если нижний защитный кожух диска отсутствует или не работает должным образом, сдайте пилу на техническое обслуживание перед эксплуатацией. Для обеспечения безопасности и надежности изделия, ремонт, техническое обслуживание и регулировка должны выполняться в авторизованном сервисном центре или другой квалифицированной организации по обслуживанию с использованием идентичным запасных частей.

Проверка нижнего защитного кожуха (Рис. А)

1. Выключите инструмент и отсоедините его от сети.
2. Поверните рычаг нижнего защитного кожуха (Рис. А, **11**) из полностью закрытого в полностью открытое положение.
3. Отпустите рычаг **11** и проконтролируйте за возвращением защитного кожуха **9** в полностью закрытое положение.

Инструмент следует сдать в квалифицированный сервисный центр на обслуживание, если защитный кожух:

- не возвращается в полностью закрытое положение,
- двигается рывками, медленно, или
- контактирует с пильным диском или другими частями инструмента при каком-либо угле и глубине распила.

Настройка глубины реза (Рис. Е–G)

1. Поднимите рычаг регулировки глубины реза **16**, чтобы ослабить.
2. Чтобы достичь нужной глубины реза, совместите метку **17** на ремне регулировки глубины с соответствующей отметкой на верхнем защитном кожухе диска **12**.
3. Затяните рычаг регулировки глубины
4. Для более эффективного пропила с использованием пильных дисков с твердосплавными напайками устанавливайте глубину реза таким образом, чтобы половина зуба диска выступала под поверхностью распиливаемой деревянной заготовки.
5. На Рисунке G приведен метод проверки правильности глубины реза. Положите вдоль диска кусок материала, который хотите распилить, как показано на рисунке, и посмотрите, насколько зуб выступает за пределы материала.

Регулировка угла наклона (Рис. H)

Механизм регулировки угла наклона **7** можно отрегулировать в пределах от 0° до 48°.

1. Поверните рукоятку регулировки угла наклона **6**, чтобы ослабить.

2. Наклоните основание до желаемой отметки на угла наклона на поворотном кронштейне **21**.
3. Поверните рукоятку регулировки угла наклона, чтобы затянуть ее.

Индикатор пропила (Рис. I)

Передняя часть основания пилы оснащена индикатором пропила **20** для вертикального распила и распила с наклоном. Данный индикатор позволяет направлять пилу вдоль линий распила, отмеченных на разрезаемом материале. Индикатор пропила совпадает с левой (внешней) стороной пильного диска, что оставляет паз или «пропил», оставляемый движущимся диском, с правой стороны индикатора. Отметки на основании указывают 0° и 45°.

Регулируемый защитный механизм кабеля (Рис. J)

Регулируемый защитный механизм кабеля **22** позволяет расположить кабель вертикально или параллельно по отношению к диску. Пила поставляется с кабелем, установленным в вертикальном положении.

Перевод кабеля в параллельное положение (Рис. J1)

1. Нажмите на защитный механизм кабеля **22**, как указано стрелкой.
2. Поверните механизм в направлении по часовой стрелке, переводя его в параллельное положение.

Перевод кабеля в вертикальное положение (Рис. J2)

1. Нажмите на защитный механизм кабеля **22**, как указано стрелкой.
2. Поверните механизм в направлении против часовой стрелки, переводя его в вертикальное положение.

Установка и регулировка параллельной направляющей (Рис. K)

Параллельная направляющая **23** используется для пиления параллельно кромке заготовки.

Установка

1. Вставьте регулируемую рукоятку параллельной направляющей **24** в отверстие **27**, как показано на Рисунке K; не затягивайте рукоятку, чтобы позволить параллельной направляющей свободно передвигаться.
2. Вставьте параллельную направляющую **23** в основание **8**, как показано на Рисунке K.
3. Затяните регулировочную рукоятку параллельной направляющей **24**.

Регулировка

1. Ослабьте регулировочную рукоятку параллельной направляющей **24** и установите параллельную направляющую **23** на нужную ширину. Параметры регулировки обозначены на параллельной направляющей.

2. Затяните рукоятку регулировки направляющей **24**.

Установка переходника для пылесоса (Рис. А, F, L)

Дисковая пила DWE550/DWE560 поставляется вместе с переходником для пылесоса.

Установка переходника для пылесоса


1. Полностью ослабьте рычаг регулировки глубины (Рис. E, **16**).
2. Установите основание (Рис. А, **8**) в самое нижнее положение.
3. Установите обе половины переходника для пылесоса **25** на верхнем защитном кожухе диска **12**, как показано на рисунке.
4. Вставьте винты и крепко затяните.


Подготовка к эксплуатации

- Убедитесь в том, что защитные кожухи установлены правильно. Защитный кожух пильного диска должен находиться в закрытом положении.
- Убедитесь в том, что пильный диск вращается в направлении, обозначенном стрелкой на диске.
- Не используйте крайне изношенные пильные диски.


ЭКСПЛУАТАЦИЯ


Инструкции по эксплуатации

 **ВНИМАНИЕ:** Всегда соблюдайте правила техники безопасности и применимые законы.

 **ВНИМАНИЕ:** Чтобы снизить риск получения серьезных травм, выключайте инструмент и отключайте его от сети перед тем, как выполнять какие-либо регулировки или снимать/устанавливать приспособления или дополнительные принадлежности. Убедитесь в том, что курковый пусковой выключатель находится в положении «ВЫКЛ.». Случайный запуск может привести к травме.

Правильное положение рук (Рис. М)

 **ВНИМАНИЕ:** Во избежание риска получения серьезных травм, **ВСЕГДА** используйте правильное положение рук как показано на рисунке.

 **ВНИМАНИЕ:** Во избежание риска получения серьезных травм **ВСЕГДА** крепко держите инструмент, предупреждая внезапную резкую отдачу.

При правильном расположении рук одна рука находится на основной рукоятке **2**, а другая на дополнительной рукоятке **5**.

Включение и выключение (Рис. А)


Для обеспечения безопасности курковый пусковой выключатель **1** инструмента оснащается кнопкой блокировки **13**.

Нажмите кнопку блокировки для разблокирования инструмента.

Для включения инструмента нажмите на курковый пусковой выключатель **1**. После отпущения куркового пускового выключателя кнопка блокировки автоматически активируется для предотвращения случайного запуска инструмента.

ПРИМЕЧАНИЕ: Не включайте и не выключайте инструмент, если пильный диск прикасается к заготовке или другим материалам.

Опора для заготовки (Рис. N–Q)


 **ВНИМАНИЕ:** Для снижения риска получения серьезных травм, обеспечьте заготовке надежную опору и крепко удерживайте пилу, чтобы предотвратить потерю управления.

На рисунках N и P показано правильное положение для распиловки. На рисунках O и Q показано небезопасное положение. Руки и кабель питания следует держать вдали от области распила, чтобы последний не мог застрять или наматываться на заготовку.

Во избежание обратного удара **ВСЕГДА** поддерживайте доску или панель БЛИЗКО к линии пропила (Рис. N и P). **НЕ РАСПОЛАГАЙТЕ** опору для доски или панели на большом расстоянии от распила (Рис. O и Q). При работе с пилой держите кабель питания вдали от рабочей зоны и не давайте ему наматываться на заготовку.

ВСЕГДА ОТКЛЮЧАЙТЕ ПИЛУ ОТ ПИТАНИЯ ПЕРЕД ВЫПОЛНЕНИЕМ КАКОЙ-ЛИБО РЕГУЛИРОВКИ! Располагайте заготовку «лицевой» стороной — той, внешний вид которой более важен — вниз. Пила пилит вверх, поэтому расщепление во время распила будет происходить на верхней стороне заготовки.

Распил

 **ВНИМАНИЕ:** Никогда не пытайтесь использовать этот инструмент, положив его вверх ногами на рабочей поверхности и направляя материал на инструмент. Всегда надежно фиксируйте заготовку и ведите инструмент по заготовке, крепко удерживая его обеими руками, как показано на Рисунке P.

Располагайте более широкую часть основания пилы на надежно закрепленной части заготовки, а не на той части, которая по окончании пропила должна упасть. Как пример, на Рисунке P приведен ПРАВИЛЬНЫЙ пример способа отпилить край доски. Всегда закрепляйте заготовку при помощи зажимов. Не пытайтесь удерживать короткие заготовки руками! Не забывайте обеспечивать опору свисающим и выступающим участкам материала. Будьте осторожны, выполняя распил материала снизу.

Убедитесь, что пила разоглась до полной скорости перед контактом диска с разрезаемым материалом. Запуск пилы при прилегающем к материалу или находящемся в пропилах диске может привести к отдаче. Толкайте пилу вперед на скорости, которая позволяет диску работать без перегрузки. Твердость и прочность могут различаться даже в одном куске материала, а узловые или влажные участки могут сильно увеличить нагрузку на пилу. В таком

случае, толкайте пилу медленней, но достаточно твердо, чтобы продолжать работу без слишком сильного падения скорости. Положение чрезмерного усилия к пиле может привести к грубому распилу, неточности, отдаче и перегреву электродвигателя. Если распил начинает уходить в сторону от линии, не пытайтесь вернуть его на место силой.

Отпустите выключатель и позвольте диску остановиться. После этого вы можете поднять пилу, осмотреть пропил и начать новый рез слегка внутри неверного пропила. В любом случае, чтобы изменить линию пропила, вы должны сначала поднять пилу с заготовки. Попытки изменить направление внутри распила могут остановить пилу и привести к отдаче.

ПРИ ОСТАНОВЕ ПИЛЫ ОТПУСТИТЕ КУРКОВЫЙ ВЫКЛЮЧАТЕЛЬ И ПОТЯНИТЕ ПИЛУ НАЗАД, ВЫВОДЯ ДИСК ИЗ ПРОПИЛА. ПЕРЕД ПОВТОРНЫМ ЗАПУСКОМ УБЕДИТЕСЬ, ЧТО ПИЛЬНЫЙ ДИСК НАХОДИТСЯ В ПРОПИЛЕ И НЕ КАСАЕТСЯ КРАЕВ ПРОПИЛА.

Закончив рез, отпустите курковый выключатель и дождитесь полной остановки диска, прежде чем поднимать пилу с заготовки. По мере поднятия пилы пружинный телескопический защитный кожух автоматически закроется под диском. Помните, что до этого диск ничем не прикрыт. Никогда не держите руки под заготовкой по какой-либо причине. При необходимости ручного втягивания телескопического защитного кожуха (например, для начала врезного пиления) всегда используйте втягивающий рычаг.

ПРИМЕЧАНИЕ: При распиле на узкие полосы соблюдайте осторожность, чтобы мелкие отрезанные части не зацепились за нижний защитный кожух.

Продольное пиление

Продольная распиловка — это процесс распиловки широких досок на более узкие вдоль волокон. При такой распиловке направление заготовки рукой представляет трудности, поэтому рекомендуется использовать параллельную направляющую DeWALT (Рис. К, 23).

Врезное пиление (Рис. R)

⚠ ВНИМАНИЕ: Никогда не подвзвивайте защитный кожух диска в поднятом положении. Никогда не двигайте пилу назад при врезном пилении. Это может привести к подъему инструмента с рабочей поверхности, что может привести к травмам.

Врезное пиление выполняется в полу, стенах или других плоских поверхностях.

1. Отрегулируйте основание пилы, чтобы пильный диск резал на нужную глубину.
2. Наклоните пилу вперед и установите переднюю часть основания на разрезаемый материал.
3. Втяните нижний защитный кожух диска в верхнее положение при помощи рычага нижнего защитного кожуха. Опустите заднюю часть основания пилы на заготовку, пока зубья диска почти не коснутся линии реза.
4. Отпустите защитный кожух диска (его соприкосновение с заготовкой будет удерживать его в открытом

положении при начале распила). Уберите руку с рычага защитного кожуха и крепко возьмитесь за дополнительную рукоятку 5, как показано на Рис. R. Встаньте и расположите свою руку так, чтобы в случае возникновения отдачи справиться с ней.

5. Убедитесь, что пильный диск не контактирует с разрезаемой поверхностью, прежде чем запустить пилу.
6. Запустите электродвигатель и постепенно опускайте пилу, пока основание не ляжет всей плоскостью на разрезаемый материал. Двигайтесь вдоль линии распила до завершения распила.
7. Отпустите курковый пусковой выключатель и позвольте диску полностью остановиться, прежде чем извлечь его из материала.
8. При начале каждого нового распила повторяйте вышеописанный порядок действий.



Пылеудаление (Рис. S)

⚠ ВНИМАНИЕ: Риск вдыхания пыли. Во избежание риска получения травм **ВСЕГДА** надевайте респиратор утвержденного типа.

Вместе с инструментом поставляется переходник для пылесоса 25.

Вакуумные шланги большинства стандартных пылесосов совместимы с переходником.

⚠ ВНИМАНИЕ: ВСЕГДА используйте пылесос, конструкция которого соответствует действующим директивам по выбросу пыли при распиловке дерева. Всаивающие шланги большинства стандартных пылесосов совместимы с переходником.

Соединительная система AirLock - DWV9000 (Продается отдельно) (Рис. S)

Система AirLock обеспечивает быстрое и надежное соединение между шлангом пылесоса 25 и системой пылеудаления.

1. Убедитесь в том, что муфта соединителя AirLock находится в положении разблокировки. Для перехода в положение блокировки и разблокировки совместите прорези на муфте и соединителя AirLock, как показано на рисунке.
2. Вставьте соединитель AirLock в переходник для пылесоса 25.
3. Поверните муфту в положение блокировки.

ТЕХНИЧЕСКОЕ ОБСЛУЖИВАНИЕ

Электроинструмент DeWALT имеет длительный срок эксплуатации и требует минимальных затрат на техобслуживание. Для длительной безотказной работы необходимо обеспечить правильный уход за инструментом и его регулярную чистку.

⚠ ВНИМАНИЕ: Чтобы снизить риск получения серьезных травм, выключайте инструмент

и отключайте его от сети перед тем, как выполнять какие-либо регулировки или снимать/устанавливать приспособления или дополнительные принадлежности. Убедитесь в том, что курковый пусковой выключатель находится в положении «ВЫКЛ.». Случайный запуск может привести к травме.



Смазка

Повторная смазка не требуется, так как в инструменте используются самосмазывающиеся шариковые и роликовые подшипники. Тем не менее, рекомендуется раз в год относить или отправлять инструмент в сервисный центр для тщательной чистки, проверки и смазки корпуса редуктора.



Чистка



ВНИМАНИЕ: Выдувайте грязь и пыль из корпуса сухим сжатым воздухом по мере видимого скопления грязи внутри и вокруг вентиляционных отверстий. Надевайте защитные очки и пылезащитную маску при выполнении этих работ.

Нижний защитный кожух

Нижний защитный кожух должен всегда свободно вращаться и закрываться из полностью открытого в полностью закрытое положение. Всегда проверяйте правильную работу защитного кожуха перед распилом, полностью открывая кожух и давая ему закрыться. Если защитный кожух закрывается медленно или не полностью, то ему потребуется чистка или обслуживание. Не используйте пилу до тех пор, пока она не будет исправно функционировать. При чистке защитного кожуха используйте сухой воздух или мягкую щетку, чтобы очистить путь движения защитного кожуха и область вокруг его пружины от набившихся опилок или грязи. Если это не исправит проблему, то инструмент следует отправить в авторизованный сервисный центр.



ВНИМАНИЕ: Никогда не пользуйтесь растворителями или другими сильнодействующими химическими веществами для чистки неметаллических частей инструмента. Эти химикаты могут повредить структуру материала, используемого для производства таких деталей. Используйте ткань, смоченную в мягком мыльном растворе. Не допускайте попадания жидкости внутрь инструмента; никогда не погружайте никакие из деталей инструмента в жидкость.

Пильные диски

Изношенный пильный диск приводит к неэффективному распилу, перегрузке электродвигателя пилы, чрезмерному расщеплению и повышенному риску отдачи. Заменяйте пильный диск, как только пилу станет тяжело проталкивать сквозь распил, возникнет перегрузка электродвигателя

или диск станет слишком сильно нагреваться. Хорошей практикой будет хранение запасных дисков под рукой, чтобы острые пильные диски всегда были доступны для немедленного использования. Изношенные пильные диски поддаются заточке в большей части мест.

Затвердевшую камедь на диске можно удалить керосином, скипидаром или чистящим средством для духовых шкафов. В работах с повышенным образованием камеди, таких как обработанный под давлением или сырой пиломатериал, можно использовать диски с антиадгезионным покрытием.

Дополнительные принадлежности



ВНИМАНИЕ: В связи с тем, что дополнительные принадлежности других производителей, кроме DEWALT, не прошли проверку на совместимость с данным изделием, их использование может представлять опасность. Во избежание травм, с данным инструментом следует использовать только дополнительные принадлежности, рекомендованные DEWALT.

НЕ ИСПОЛЬЗУЙТЕ С ДАННОЙ ПИЛОЙ ДОПОЛНИТЕЛЬНЫЕ ПРИНАДЛЕЖНОСТИ ПОДАЧИ ВОДЫ.

ВЫПОЛНЯЙТЕ ВИЗУАЛЬНЫЙ ОСМОТР КАРБИДНЫХ ДИСКОВ ПЕРЕД ИСПОЛЬЗОВАНИЕМ. ЗАМЕНЯЙТЕ ПРИ НАЛИЧИИ ПОВРЕЖДЕНИЙ.

Проконсультируйтесь со своим продавцом для получения дополнительной информации.

Защита окружающей среды



Отдельная утилизация. Изделия и аккумуляторные батареи с данным символом на маркировке запрещается утилизировать с обычными бытовыми отходами.

Изделия и аккумуляторные батареи содержат материалы, которые могут быть извлечены или переработаны, снижая потребность в исходном сырье. Пожалуйста, утилизируйте электрические изделия и аккумуляторные батареи в соответствии с местными нормами. Дополнительная информация доступна по адресу www.2helpU.com.

Дополнительная информация:

Дату изготовления (код даты) указан на корпусе инструмента. Код даты, который так же включает год изготовления, отштампован на поверхности корпуса изделия. Пример: 2021 46 XX, где 2021 – год изготовления, 46-неделя изготовления, XX – код завода изготовителя.

ТОВАР СЕРТИФИЦИРОВАН. Орган по сертификации "РОСТЕСТ- Москва", Адрес: 119049, г. Москва, улица Житная, д. 14, стр. 1; 117418, Москва, Нахимовский просп., 31 (факт.).

Тел.: (499) 1292311, (495) 6682893, E-mail: office@rostest.ru

Изготовитель: Изготовитель: Блэк энд Деккер Холдингс ГмбХ, Германия, 65510, Идштайн, ул. Блэк энд Деккер, 40, тел. +496126212790.

Уполномоченное изготовителем юр.лицо: ООО "Стэнли Блэк энд Деккер", 117485, город Москва, улица Обручева, дом 30/1, строение 2, Телефон: + 7 (495) 258-3981, факс: + 7 (495) 258-3984, E-mail: inbox@dewalt.com. Сведения о импортере указаны в сопроводительной документации и/или на упаковке.



Приложение к руководству по эксплуатации электрооборудования для определения месяца производства по номеру текущей календарной недели года

Электрооборудование торговых марок "Dewalt", "Stanley", "Stanley FatMAX", "BLACK+DECKER".

Директивы 2014/30/EU ЕВРОПЕЙСКОГО ПАРЛАМЕНТА И СОВЕТА от 26 февраля 2014 г. "О гармонизации законодательства Государств-членов ЕС в области электромагнитной совместимости", 2006/42/ЕС ЕВРОПЕЙСКОГО ПАРЛАМЕНТА И СОВЕТА от 17 мая 2006 г. "О машинах и оборудовании"; 2014/35/EU ЕВРОПЕЙСКОГО ПАРЛАМЕНТА И СОВЕТА от 26 февраля 2014 г. "О гармонизации законодательства государств-членов в области размещения на рынке электрооборудования, предназначенного для использования в определенных пределах напряжения". Серийный выпуск.

ТОВАР СЕРТИФИЦИРОВАН

Орган по сертификации "РОСТЕСТ- Москва", Адрес: 119049, г. Москва, улица Житная, д. 14, стр. 1; 117418, Москва, Нахимовский просп., 31 (фактический), Телефон: (499) 1292311, (495) 6682893, факс: (495) 6682893, E-mail: office@rostest.ru

Изготовитель: Изготовитель: Блэк энд Деккер Холдингс ГмбХ, Германия, 65510, Идштайн, ул. Блэк энд Деккер, 40, тел. +496126212790.

Уполномоченное изготовителем юр.лицо:

ООО "Стэбли Блэк энд Деккер", 117485, город Москва, улица Обручева, дом 30/1, строение 2
Телефон: + 7 (495) 258-3981, факс: + 7 (495) 258-3984, E-mail: inbox@dewalt.com

Сведения о импортере указаны в сопроводительной документации и/или на упаковке

Хранение.

Необходимо хранить в сухом месте, вдали от источников повышенных температур и воздействия солнечных лучей. При хранении необходимо избегать резкого перепада температур. Хранение без упаковки не допускается

Срок службы.

Срок службы изделия составляет 5 лет. Не рекомендуется к эксплуатации по истечении 5 лет хранения с даты изготовления без предварительной проверки.

Дата изготовления (код даты) указана на корпусе инструмента. Код даты, который также включает год изготовления, отштампован на поверхности корпуса изделия.

Пример:

2014 46 XX, где 2014 –год изготовления, 46–неделя изготовления. Определить месяц изготовления по указанной неделе изготовления можно согласно приведенной ниже таблице.

Транспортировка.

Категорически не допускается падение и любые механические воздействия на упаковку при транспортировке.

При разгрузке/погрузке не допускается использование любого вида техники, работающей по принципу зажима упаковки.

Перечень критических отказов, возможные ошибочные действия персонала.

Не допускается эксплуатация изделия:

- При появлении дыма из корпуса изделия
- При поврежденном и/или оголенном сетевом кабеле
- при повреждении корпуса изделия, защитного кожуха, рукоятки
- при попадании жидкости в корпус
- при возникновении сильной вибрации
- при возникновении сильного искрения внутри корпуса

Критерии предельных состояний.

- При поврежденном и/или оголенном сетевом кабеле
- при повреждении корпуса изделия

Месяц	Январь	Февраль	Март	Апрель	Май	Июнь	Июль	Август	Сентябрь	Октябрь	Ноябрь	Декабрь	Год производства
Неделя	1	5	9	14	18	23	27	31	36	40	44	49	2018
	2	6	10	15	19	24	28	32	37	41	45	50	
	3	7	11	16	20	25	29	33	38	42	46	51	
	4	8	12	17	21	26	30	34	39	43	47	52	
			13		22			35			48		
Неделя	1	6	10	14	18	23	27	31	36	40	45	49	2019
	2	7	11	15	19	24	28	32	37	41	46	50	
	3	8	12	16	20	25	29	33	38	42	47	51	
	4	9	13	17	21	26	30	34	39	43	48	52	
	5				22			35		44			
Неделя	1	6	10	14	19	23	27	32	36	40	45	49	2020
	2	7	11	15	20	24	28	33	37	41	46	50	
	3	8	12	16	21	25	29	34	38	42	47	51	
	4	9	13	17	22	26	30	35	39	43	48	52	
	5				18		31			44			
Неделя	2	6	10	14	19	23	27	32	36	41	45	49	2021
	3	7	11	15	20	24	28	33	37	42	46	50	
	4	8	12	16	21	25	29	34	38	43	47	51	
	5	9	13	17	22	26	30	35	39	44	48	52	
					18		31		40			1	
Неделя	2	6	10	15	19	23	28	32	36	41	45	49	2022
	3	7	11	16	20	24	29	33	37	42	46	50	
	4	8	12	17	21	25	30	34	38	43	47	51	
	5	9	13	18	22	26	31	35	39	44	48	52	
				14		27			40			1	



ГАРАНТИЙНЫЙ ТАЛОН



1. Поздравляем Вас с покупкой высококачественного изделия DEWALT и выражаем признательность за Ваш выбор.
2. При покупке изделия требуйте проверки его комплектности и исправности в Вашем присутствии, инструкцию по эксплуатации и заполненный Гарантийный талон на русском языке. В гарантийном талоне должны быть внесены: модель, дата продажи, серийный номер, дата производства инструмента, название, печать и подпись торговой организации. При отсутствии у Вас правильно заполненного Гарантийного талона, а также несоответствия указанных в нем данных, мы будем вынуждены отклонить Ваши претензии по качеству данного изделия.
3. Во избежание недоразумений, убедительно просим Вас перед началом работы с изделием внимательно ознакомиться с инструкцией по его эксплуатации. Правовой основой настоящих гарантийных условий является действующее Законодательство. Гарантийный срок на данное изделие составляет 36 месяцев и исчисляется со дня продажи. В случае устранения недостатков изделия, гарантийный срок продлевается на период его нахождения в ремонте. Срок службы изделия составляет 5 лет со дня продажи.
4. В случае возникновения каких-либо проблем в процессе эксплуатации изделия рекомендуем Вам обращаться только к уполномоченные сервисные центры DEWALT, адреса и телефоны которых Вы сможете найти на сайте www.2helpU.com или узнать в магазине. Наши сервисные станции - это не только квалифицированный ремонт, но и широкий ассортимент запчастей и принадлежностей.
5. Производитель рекомендует проводить периодическую проверку и техническое обслуживание изделия в уполномоченных сервисных центрах.
6. Наши гарантийные обязательства распространяются только на неисправности, выявленные в течение гарантийного срока и вызванные дефектами производства и / или материалов.
7. Гарантийные условия не распространяются на неисправности изделия, возникшие в результате:
 - 7.1. Несоблюдения пользователем предписаний инструкции по эксплуатации изделия, применения изделия не по назначению, неправильной хранения, использования принадлежностей, расходных материалов и запчастей, не предусмотренных производителем.
 - 7.2. Механического повреждения (сколы, трещины и разрушения) внутренних и внешних деталей изделия, основных и вспомогательных рукояток, сетевого электрического кабеля, вызванного внешним ударным или любым иным воздействием.
 - 7.3. Попадания в вентиляционные отверстия и проникновение внутрь изделия посторонних предметов, материалов или веществ, не являющихся отходами, сопровождающими применение изделия по назначению, такими как: стружка, опилки, песок, и пр.
 - 7.4. Воздействия на изделие неблагоприятных атмосферных и иных внешних факторов, таких как дождь, снег, повышенная влажность, нагрев, агрессивные среды, несоответствие параметров питающей электросети, указанных на инструменте.
 - 7.5. Стихийного бедствия. Повреждение или утрата изделия, связанное с непредвиденными бедствиями, стихийными явлениями, в том числе вследствие действия непреодолимой силы (пожар, молния, потоп и другие природные явления), а также вследствие перепадов напряжения в электросети и других причин, которые находятся вне контроля производителя.
8. Гарантийные условия не распространяются:
 - 8.1. На инструменты, подвергавшиеся вскрытию, ремонту или модификации вне уполномоченного сервисного центра.
 - 8.2. На детали и узлы, имеющие следы естественного износа, такие как: приводные ремни и колеса, угольные щетки, смазка, подшипники, зубчатое зацепление редукторов, резиновые уплотнения, сальники, направляющие ролики, муфты сцепления, бойки, толкатели, стволы, и т.п.
 - 8.3. На сменные и расходные части: цанги, зажимные гайки и фланцы, фильтры, ножи, шлифовальные подошвы, цепи, звездочки, пильные шины, защитные кожухи, пилки, абразивы, пильные и абразивные диски, фрезы, сверла, буры и т.п.
 - 8.4. На неисправности, возникшие в результате перегрузки инструмента (как механической, так и электрической), повлекшей выход из строя одновременно двух и более деталей и узлов, таких как ротора и статора, обеих обмоток статора, ведомой и ведущей шестерни редуктора или других узлов и деталей. К безусловным признакам перегрузки изделия относятся, помимо прочего: появление цветов побелости, деформация или оплавление деталей и узлов изделия, потемнение или облуживание изоляции проводов электродвигателя под воздействием высокой температуры.

Товар получен в исправном состоянии, без видимых повреждений, в полной комплектации, проверен в моем присутствии, претензий по качеству товара не имею. С условиями гарантийного обслуживания ознакомлен и согласен.

Ф. И. О. и подпись покупателя _____

Уважаемые клиенты, наша сеть авторизованных сервисных центров постоянно расширяется. Актуальную информацию об обслуживании в интересующем вас городе вы можете узнать на сайте

www.2helpU.com

Информация об инструменте

Наименование инструмента	
Модель	
Наименование продавца	
Дата продажи	

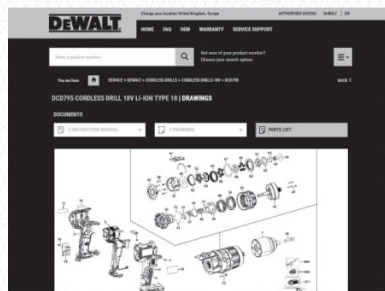
М.П.
Продавца

Серийный номер / Дата производства

Инструмент	
Зарядное устройство	
Аккумулятор 1	
Аккумулятор 2	

На сайте www.2helpU.com доступны следующие функции:

- Список авторизованных сервисных центров
- Удобный поиск ближайшего сервисного центра
- Руководство по эксплуатации
- Технические характеристики
- Список деталей и запасных частей
- Схема сборки инструмента



Также данную информацию вы можете
получить, позвонив по телефону:
8(800) 1000 876

ОТМЕТКА О ПРОВЕДЕНИИ СЕРВИСНОГО ОБСЛУЖИВАНИЯ

№1	№2	№3	№4
№ заказа	№ заказа	№ заказа	№ заказа
Дата поступления	Дата поступления	Дата поступления	Дата поступления
Дата ремонта	Дата ремонта	Дата ремонта	Дата ремонта
Печать и подпись сервисного центра	Печать и подпись сервисного центра	Печать и подпись сервисного центра	Печать и подпись сервисного центра

165 мм ДИСКОВА ПИЛКА, DWE550**184 мм ДИСКОВА ПИЛКА, DWE560****Вітаємо вас!**

Ви обрали інструмент DEWALT. Великий досвід компанії у розробці інструментів та постійна робота над їхнім удосконаленням роблять компанію DEWALT надійним партнером професійних користувачів.

Технічні характеристики

		DWE550	DWE560
Напруга	$V_{\text{змін. струму}}$	230	230
Великобританія та Ірландія	$V_{\text{змін. струму}}$	230/115	230/115
Тип		1	1
Вхідна потужність	Вт	1200	1350
Швидкість без навантаження	об/хв	5500	5500
Діаметр пильного диска	мм	165	184
Мінімальна глибина розрізу під кутом			
90°	мм	55	65
45°	мм	35	42
Діаметр отвору диска	мм	20	16
Регулювання кута нахилу		48°	48°
Маса	кг	3,60	3,66

Значення рівня шуму та вібрації (сума трьох векторів) відповідно до стандарту EN62841:

L_{PA} (рівень тиску звукового випромінювання)	дБ(А)	93	93
L_{WA} (рівень звукової потужності)	дБ(А)	104	104
K (похибка для даного рівня звукового тиску)	дБ(А)	3	3
Розрізання дощок			
Значення емісії вібрації $a_{h, wB} =$	m/s^2	<2,5	<2,5
Похибка K =	m/s^2	1,5	1,5

Значення вібрації та/або шуму, наведене в цьому документі, було виміряне згідно зі стандартизованим тестом, викладеним в стандарті EN62841, та може використовуватись для порівняння інструментів. Це значення вібрації можна також використовувати для попередньої оцінки впливу вібрації.

⚠ УВАГА! Заявлене значення вібрації та/або шуму відповідає вимогам цільового використання інструмента. Однак якщо інструмент використовується для виконання інших завдань, або з іншими витратними матеріалами/насадками, або не обслуговується належним чином, значення вібрації та/або шуму може відхилитися. Це може значно збільшити рівень впливу протягом усього періоду роботи.

Оцінка рівня впливу вібрації та/або шуму має враховувати час, протягом якого інструмент є вимкненим, а також час, протягом якого він є ввімкненим, але не використовується. Це може значно зменшити рівень впливу протягом усього періоду роботи.

Визначення додаткових заходів безпеки для захисту оператора від впливу вібрації та/або шуму: технічне обслуговування інструмента та приладдя, утримання рук у теплі (має значення для вібрації), організація режиму роботи.

Декларація про відповідність ЄС**Директива для механічного обладнання****Дискова пила
DWE550, DWE560**

Компанія DEWALT заявляє, що вироби, описані у розділі **Технічні дані**, відповідають стандартам: 2006/42/ЕС, EN62841-1:2015, EN62841-2-5:2014.

Ці продукти також відповідають вимогам Директив 2014/30/EU та 2011/65/EU. Для отримання додаткової інформації зверніться до компанії DEWALT за наступною адресою або прочитайте інформацію на зворотній стороні цього посібника.

Нижчепідписаний несе відповідальність за упорядкування файлу технічних характеристик та робить цю заяву від імені компанії DEWALT.

Маркус Ромпель (Markus Rompel)
технічний директор, PTE-Euroga
DEWALT, Richard-Klinger-Straße 11,
D-65510, Idstein, Німеччина
16.08.2017


УВАГА! Уважно прочитайте керівництво з експлуатації для зниження ризику отримання травм.


**Позначення: Інструкції з техніки безпеки**

Умовні позначення, наведені нижче, описують рівень важливості кожної попереджувальної вказівки. Прочитайте керівництво та зверніть увагу на символи, наведені нижче.




НЕБЕЗПЕЧНО! Вказує на безпосередню загрозу, ігнорування якої призведе до смерті або серйозної травми.

 **УВАГА!** Вказує на потенційну загрозу, яка, якщо її не уникнути, **може** призвести до **смерті або серйозної травми**.


 **ОБЕРЕЖНО!** Вказує на потенційну загрозу, яка, якщо її не уникнути, **може** призвести до **травми незначної або середньої важкості**.

ПРИМІТКА. Вказує на ситуацію, **не пов'язану з особою травмою**, ігнорування цієї ситуації **може** призвести до **пошкодження майна**.

 Вказує на ризик ураження електричним струмом.

 Вказує на ризик виникнення пожежі.

Загальні правила безпеки при експлуатації електричного інструмента

 **УВАГА!** Ознайомтеся з усіма попередженнями, інструкціями з техніки безпеки, зображеннями та специфікаціями, які поставляються з цим електричним інструментом. Невиконання наведених нижче інструкцій може призвести до ураження електричним струмом, пожежі та/або серйозних травм.

ЗБЕРЕЖІТЬ УСІ ПОПЕРЕДЖЕННЯ ТА ІНСТРУКЦІЇ ДЛЯ ВИКОРИСТАННЯ В МАЙБУТЬОМУ

Термін «електричний інструмент» в усіх попередженнях стосується використовуваних вами інструментів, що живляться від мережі енергопостачання (з електричним кабелем) або від акумуляторів (без кабелю).

1) Безпека робочої зони

- Робоча зона завжди має бути чистою та добре освітленою.** Захаращена або темна робоча зона призводить до нещасних випадків.
- Не використовуйте електричні інструменти у вибухонебезпечній атмосфері, наприклад поруч із вогненебезпечними рідинами, газами та пилом.** Електричні інструменти створюють іскри, що можуть запалити пил або пару.
- Тримайте дітей та сторонніх людей під час використання інструмента.** Відвернення уваги може призвести до втрати контролю.

2) Електрична безпека

- Вилка електричного інструмента повинна відповідати розетці. Ніколи жодним чином не змінюйте вилку. Не використовуйте адаптери з заземленими електричними інструментами.** Немодифіковані вилки та розетки, що підходять до них, зменшують ризик ураження електричним струмом.
- Уникайте контакту тіла з заземленими поверхнями, такими як труби, радіатори, плити та холодильники.** Якщо ваше тіло заземлене, збільшується ризик ураження електричним струмом.

- Не залишайте електричні інструменти під дощем або в умовах підвищеної вологості.** Вода, що потрапляє в електричний інструмент, підвищує ризик ураження електричним струмом.
- Не використовуйте кабелів живлення не за призначенням. Ніколи не переносьте, не тягніть та не відключайте електричний інструмент від розетки електроживлення за допомогою шнура. Тримайте шнур подалі від високих температур, мастила, гострих предметів та рухомих деталей.** Пошкоджені або перекручені шнури підвищують ризик ураження електричним струмом.
- При використанні електричного інструмента на вулиці, використовуйте подовжувальний шнур, що підходить для використання на вулиці.** Використання шнура, що призначений для використання поза приміщенням, знижує ризик ураження електричним струмом.
- Якщо неможливо уникнути використання електричного інструмента в умовах підвищеної вологості, використовуйте живлення, захищене пристроєм залишкового струму (RCD).** Використання RCD знижує ризик ураження електричним струмом.

3) Особиста безпека

- Будьте в стані готовності, дивіться, що ви робите, та будьте розсудливі, працюючи з електричним інструментом. Не використовуйте електричний інструмент, коли ви втомлені або знаходитесь під впливом наркотичних речовин, алкоголю або ліків.** Втрата уваги під час роботи з електричним інструментами може призвести до серйозних травм.
- Використовуйте особисті засоби безпеки. Завжди використовуйте засоби захисту очей.** Засоби безпеки, такі як протипилова маска, нековзкі безпечні черевки, захисний шолом та засоби захисту слухового апарату, використані для відповідних умов, зменшують імовірність особистих травм.
- Уникайте випадкового запуску. Переконайтесь в тому, що вимикач знаходиться в позиції Вимк. перед підключенням до джерела живлення та/або акумулятора, переміщенням або перенесенням пристрою.** Може статися нещасний випадок, коли ви переносите інструмент, тримаючи палець на вимикачі, або підключаєте живлення до вимикача в позиції Увімк.
- Зніміть усі ключі для регулювання або гайкові ключі, перш ніж вмикати електричний інструмент.** Гайковий ключ, що залишився прикріпленим до якоїсь деталі електричного пристрою, що обертається, може призвести до травм.

- e) **Не прикладайте надмірних зусиль. Завжди утримуйте правильну постановку ніг і рівновагу.** Це дає вам змогу краще контролювати інструмент в неочікуваних ситуаціях.
- f) **Одягайтеся відповідним чином. Не вдягайте вільний одяг або прикраси. Тримайте ваше волосся, одяг та рукавички подалі від рухомих деталей.** Вільний одяг, прикраси або довге волосся можуть зачепитися за рухомі деталі.
- g) **Якщо передбачені пристрої для підключення до засобів виділення та збирання пилу, переконайтеся, що вони правильно підключені та використовуються.** Використання таких пристроїв зменшує ризик виникнення небезпечних ситуацій, що пов'язані з потраплянням пилу.
- h) **Навіть якщо ви добре знаєте інструмент та часто його використовуєте, не розслабляйтесь та не забувайте про принципи техніки безпеки.** Необережні дії можуть за долю секунди призвести до важких тілесних ушкоджень.

4) Використання електричного інструмента та догляд за ним

- a) **Не прикладайте надмірних зусиль під час роботи з інструментом. Використовуйте електричний інструмент, який відповідає завданню, що виконується.** Правильно обраний інструмент виконає завдання краще та безпечніше за умов, для яких він був розроблений.
- b) **Не використовуйте інструмент, якщо його неможливо ввімкнути та вимкнути за допомогою вимикача.** Будь-який електричний інструмент, яким неможливо керувати за допомогою вимикача, є небезпечним і має бути відремонтований.
- c) **Якщо вилка змінна, відключіть її від джерела живлення перед тим, як робити будь-які налаштування, зміни додаткового обладнання чи зберігати інструмент.** Ці профілактичні заходи зменшують ризик випадкового запуску електричного інструмента.
- d) **Зберігайте вимкнені електричні інструменти в недоступному для дітей місці та не дозволяйте особам, що не знайомі з електричним інструментом або цими інструкціями, використовувати електричний інструмент.** Електричні інструменти є небезпечними, якщо вони використовуються некваліфікованими користувачами.
- e) **Технічне обслуговування електричних інструментів та аксесуарів. Перевіряйте на відсутність вивірнювання або заїдання рухомих деталей, ушкоджених частин та інших умов, що можуть впливати на роботу електричного інструмента.** Якщо є пошкодження, відремонтуйте електричний інструмент перед використанням. Нещасні випадки часто

є результатом того, що інструмент не пройшов відповідного технічного обслуговування.

- f) **Різальні інструменти мають бути гострими та чистими.** Правильно доглянуті різальні інструменти з гострими різальними кромками мають меншу імовірність заїдання, і ними легше керувати.
- g) **Використовуйте електричний інструмент, додаткові інструменти та деталі інструмента тощо відповідно до цих інструкцій та цього типу електричних інструментів, зважаючи на умови використання та роботу, яка має бути виконана.** Використання електричних інструментів не за призначенням може призвести до виникнення небезпечних ситуацій.
- h) **Всі ручки та поверхні для тримання інструмента мають бути сухими, без залишків мастила.** Слизькі ручки та поверхні для тримання не дозволяють безпечно працювати та контролювати інструмент у неочікуваних ситуаціях.

5) Обслуговування

- a) **Надавайте ваш електричний інструмент для обслуговування кваліфікованим спеціалістом з ремонту та використовуйте тільки ідентичні замінні деталі.** Це забезпечить безпеку електричного пристрою, що обслуговується.

ДОДАТКОВІ СПЕЦІАЛЬНІ ПРАВИЛА З ТЕХНІКИ БЕЗПЕКИ ДЛЯ ДИСКОВИХ ПИЛОК

Інструкції з техніки безпеки для всіх пилок



- a) **Тримайте руки подалі від зони різання та пильного диска. Тримайте другу руку на додатковій ручці або корпусі електродвигуна.** Якщо обидві руки тримають пилку, ви не поріжетеся диском.
- b) **Не підставляйте руку під заготовку.** Захисний кожух не зможе захистити ваші руки від диска, якщо вони знаходяться під заготовкою.
- c) **Налаштуйте глибину розрізу відповідно до товщини заготовки.** Необхідно, щоб частина зубця диска, яка виступає з-під заготовки, була меншою за його повну висоту.
- d) **Ніколи не тримайте заготовку в руках або на нозі під час різання. Закріпіть заготовку на стійкій платформі.** Необхідно добре закріпити заготовку, щоб звести до мінімуму можливість контакту з тілом, заїдання леза або втрати контролю.
- e) **Тримайте інструмент за ізольовану поверхню при виконанні операцій, коли ріжучий**

- інструмент може торкнутися проводки або власного кабелю.** У разі контакту різальних елементів з дротом під напругою може з'явитися напруга в металевих деталях інструмента, що може призвести до ураження оператора електричним струмом.
- f) **Під час поздовжнього розпилювання використовуйте поздовжній шаблон або напрямну кромку.** Це дасть можливість підвищити точність розрізу та зменшити можливість заїдання диска.
- g) **Завжди використовуйте пильні диски відповідного розміру та з правильною формою отворів управління (ромбоподібні або круглі).** Пильні диски, що не відповідають кріпильним пристосуванням пилки, обертатимуться несиметрично відносно центру, що може призвести до втрати контролю.
- h) **Ніколи не використовуйте пошкоджені або невідповідні шайби та болти для кріплення пильного диска.** Шайби та болти пильного диска були розроблені спеціально для вашої пилки для оптимальної та безпечної роботи.

Додаткові інструкції з техніки безпеки для будь-якої пили

Причини та запобігання віддачі:

- віддача – це раптова реакція на затискання, заїдання або розрегулювання пильного диска, що спричиняє рух неконтрольованої пили вгору в напрямку від заготовки до оператора;
- якщо пильний диск заїло або затиснуло під час розрізання, він зупиняється, а електричний струм спричиняє швидкий рух пристрою назад на оператора;
- Якщо пильний диск викривлюється або займає неправильне положення в розрізі, зубці на задньому кінці диска можуть вийти з пропилю на поверхню заготовки, що призведе до підстрибування пильного диска в напрямку до оператора.

Віддача є результатом невірного використання та/або некоректної роботи або невідповідних умов роботи, яких можна уникнути, уживаючи відповідних заходів, наведених нижче.

- a) **Тримайте пилку міцно обома руками та розташуйте руки так, щоб можна було створити опір силам віддачі. Розташуйте тіло з одного боку диска, але не на одній лінії з диском.** Віддача може призвести до відстрибування пилки назад, але сили віддачі можуть бути під контролем оператора, якщо будуть вжиті відповідні заходи.
- b) **Якщо пильний диск затиснений або необхідно перервати розпилювання за якоїсь причини, відпустіть вмикач та утримуйте ножівку нерухомо, доки пильний диск повністю не зупиниться. Ніколи не намагайтесь витягнути**

пилу з пропилю або потягати на себе, коли пильний диск рухається, тому що може виникнути віддача. Проаналізуйте та вживайте необхідних заходів для уникнення затиснення диска.

- c) **Під час поновлення розпилювання заготовки вирівняйте пильний диск у пропилю та переконайтесь в тому, що зубці не входять у зчеплення з матеріалом.** Якщо пильне полотно затиснене, воно може піднятися та може виникнути віддача під час поновлення роботи пили.
- d) **Закріплюйте великі панелі для зменшення ризику затиснення диска та віддачі. Великі панелі можуть прогинатися під власною вагою.** Опори необхідно розташувати під панеллю з обох боків, біля лінії розпилю та біля краю панелі.
- e) **Не використовуйте тупі та пошкоджені пильні диски.** Незагострені та невірно встановлені пильні диски утворюють вузький пропил, що призводить до надмірного тертя, затиснення диска та віддачі.
- f) **Перед розпилюванням необхідно міцно надійно зафіксувати стопорні важелі глибини розрізання та кута нахилу диска.** Якщо налаштування пильного полотна зсуваються під час розпилювання, може виникнути затиснення або віддача.
- g) **Будьте особливо уважні при виконанні врізання «наоспіт» в стіни або інші місця, де не видно, що знаходиться під поверхнею.** Пильний диск може натрапити на предмет, що спричинить віддачу.

Інструкції з техніки безпеки для пилок з маятниковим захисним кожухом диска

- a) **Перед використанням перевірте, щоб нижня захисний кожух був зафіксований відповідним чином. Не використовуйте пилку, якщо нижній захисний кожух не рухається вільно та не фіксується відразу ж.** Ніколи не затискайте та не під'якуйте нижній захисний кожух у відкритому положенні. Якщо пилка випадково впаде, нижній захисний кожух може погнутися. Підніміть нижній захисний кожух за допомогою зворотної ручки та переконайтесь, що він вільно рухається і не торкається пильного диска та інших деталей в жодному з напрямків та за будь-якої глибини розпилювання.
- b) **Перевірте роботу пружини нижнього захисного кожуха. Якщо захисний кожух або пружина працюють невірно, то перед використанням їх необхідно відремонтувати.** Нижній захисний кожух може працювати повільно через пошкоджені деталі, залишки гуми або іншого сміття.
- c) **Треба відвести нижній захисний кожух вручну лише по спеціальних розрізах, наприклад по «розрізах за врізання» та «складених розрізів.** Підніміть нижній захисний кожух за допомогою ручки для відведення, а тільки диск ввійде в

матеріал, нижній захисний кожух необхідно відпустити. Для всіх інших видів розпилювання нижній захисний кожух працює автоматично.

- d) **Не забувайте стежити за тим, щоб нижній захисний кожух накривав пильний диск перед тим, як покласти пилу на верстак або підлогу.** Незахищений диск може рухатись за інерцією у зворотному напрямку та порізати будь-що на своєму шляху. Пам'ятайте про час, необхідний для зупинки пильного диска після відпускання перемичача.

Додаткові інструкції з техніки безпеки для всіх пилок із розклинюючим ножем

- a) **Використовуйте відповідний пильний диск для розклинюючого ножа.** Для правильної роботи розклинюючого ножа товщина диска має бути менше товщини розклинюючого ножа, а ширина розрізу диска має бути більше товщини розклинюючого ножа.
- b) **Налаштуйте розклинюючий ніж, як описано у цьому керівництві.** Невірна відстань, розташування та вирівнювання може зробити цей ніж неефективним у запобіганні віддачі.
- c) **Завжди використовуйте розклинюючий ніж, крім випадків занурювального розпилювання. Розклинюючий ніж слід замінити після занурювального розпилювання.** Розклинюючий ніж спричиняє пошкодження під час занурювального розпилювання і може призвести до віддачі.
- d) **Розклинюючий ніж буде працювати, лише якщо він вставлений у заготовку.** Розклинюючий ніж є неефективним у запобіганні віддачі під час коротких розрізів.
- e) **Не використовуйте ножівку, якщо розклинюючий ніж погнувся.** Навіть незначні пошкодження можуть уповільнити швидкість закриття захисного огороження.

Додаткові інструкції з техніки безпеки для дискових пилок

- Не використовуйте пристрій без захисних кожухів, або, якщо вони не функціонують відповідним чином, або якщо вони встановлені невірно.
- Виберіть диск, що підходить для різання матеріалу.
- **Використовуйте респіратор.**
- **Не використовуйте пильні диски більшого або меншого діаметру, ніж рекомендовано.** Зверніться до технічних даних, щоб дізнатися, який диск вам потрібен. Використовуйте лише диски, що вказані в цьому посібнику та відповідають стандарту EN 847-1.
- **Ніколи не використовуйте абразивні ріжучі колеса.**
- При пилянні слід уникати плавлення матеріалу із пластмаси.

- Використовуйте лише пильні диски, швидкість яких дорівнює або перевищує швидкість, зазначену на інструменті.



УВАГА! Різання пластмаси, заболони деревини з покриттям та інших матеріалів може призвести до накопичення розплавленого матеріалу на кінчиках пильного диска і його корпусі, збільшуючи ризик перегрівання і заїдання диска при різанні.



УВАГА! Ми рекомендуємо використовувати захисний пристрій відключення з номінальним значенням диференційного струму 30 мА або менше.

Залишкові ризики

Дотримання всіх правил техніки безпеки та застосування пристроїв безпеки не гарантує уникнення певних залишкових ризиків. До такого переліку належать:

- *Порушення слуху.*
- *Ризик тілесних ушкоджень через частинки, які розлітаються.*
- *Ризик опіків через нагрівання приладдя під час роботи.*
- *Ризик тілесних ушкоджень через занадто тривале використання.*

Електрична безпека

Електричний двигун розроблений для роботи лише з одним значенням напруги. Завжди перевіряйте відповідність джерела живлення напрузі, яка зазначена на таблиці з паспортними даними.



Ваш інструмент виробництва компанії DEWALT має подвійну ізоляцію відповідно до EN62841, тому заземлення не є необхідним.



УВАГА! Пристрої з напругою 115 В необхідно контролювати шляхом надійного розділового трансформатора з екраном заземлення між первинною та вторинною обмотками.

У випадку необхідності заміни кабелю живлення або вилки інструмент необхідно віднести для ремонту в офіційний сервісний центр або до кваліфікованого спеціаліста.

Заміна мережевої вилки (тільки для Великої Британії та Ірландії)

Якщо потрібно встановити нову вилку, виконайте кілька дій:

- *Зніміть стару вилку та утилізуйте її; дотримуючись правил техніки безпеки.*
- *Приєднайте коричневий провідник до активного виходу вилки.*
- *Приєднайте блакитний провідник до нейтрального виходу.*



УВАГА! Жоден провідник не має бути підключений до клеми заземлення.

Дотримуйтесь інструкцій щодо встановлення, які постачаються з якісними вилками. Плавкий запобіжник, що рекомендується: 13 А.

Використання електричного подовжувача

Використовуйте подовжувальний шнур лише за абсолютної необхідності. Використовуйте лише рекомендований подовжувальний шнур, що відповідає споживаній потужності вашого зарядного пристрою (див. **Технічні характеристики**). Мінімальний розмір провідника становить 1,5 мм²; максимальна довжина – 30 м.

При використанні кабельного барабану завжди витягуйте весь кабель.

Комплект поставки

До комплекту входить:

- 1 165 мм дискова пилка (DWE550) або
- 1 184 мм дискова пилка (DWE560)
- 1 Пильний диск пилки
- 1 Гайковий ключ для диска
- 1 Напрямна планка
- 1 Патрубок для видалення пилу
- 1 Посібник з експлуатації
- *Перевірте інструмент, деталі та приладдя на пошкодження, що могли виникнути під час транспортування.*
- *Перед використанням уважно прочитайте та повністю зрозумійте це керівництво.*

Маркування на інструменті

На інструменті є наступні піктограми:



Прочитайте інструкції цього керівництва перед використанням.



Використовуйте засоби захисту слуху.



Використовуйте засоби захисту очей.

Розташування коду дати (рис. А)

Код дати **26**, що включає також рік виробництва, наноситься на корпус.

Приклад:

2019 XX XX

Рік виробництва

Опис (рис. А)



УВАГА! Ніколи не модифікуйте електричні інструменти або їх деталі. Це може призвести до пошкодження майна або тілесних ушкоджень.

- 1 Тригерний перемикач
- 2 Основна ручка
- 3 Фіксатор диска
- 4 Заглушка
- 5 Допоміжна ручка
- 6 Ручка регулювання кута нахилу
- 7 Механізм регулювання кута нахилу

- 8 Опорна пластина
- 9 Нижній захисний кожух диска
- 10 Затискний гвинт диска
- 11 Важіль нижнього кожуха
- 12 Верхній захисний кожух диска
- 13 Кнопка блокування

Сфера застосування

Ці дискові пилки для роботи у важких умовах призначені для професійного розпилювання деревини. **НЕ** використовуйте з цією пилкою насадки з подачею води. **НЕ** використовуйте абразивні колеса або диски.

НЕ використовуйте за умов підвищеної вологості або в присутності легкозаймистих рідин та газів.

Ці пилки для роботи у важких умовах є професійними інструментами.

НЕ дозволяйте дітям підходити на небезпечну відстань та торкатися інструмента. Використання інструмента недосвідченими операторами потребує нагляду.

- **Діти та хворі люди.** Цей пристрій не призначений для експлуатації дітьми та особами з обмеженими розумовими та фізичними можливостями без стороннього контролю.
- Цей пристрій не призначений для використання особами (включаючи дітей) із зниженими фізичними, сенсорними або розумовими можливостями або особами, яким бракує досвіду або знань за винятком випадків, коли такі особи працюють під наглядом особи, яка несе відповідальність за їх безпеку. Не можна залишати дітей наодинці з цим приладом.

МОНТАЖ ТА НАЛАШТУВАННЯ



УВАГА! Щоб знизити ризик серйозних травм, вимкніть інструмент та відключіть його від мережі живлення перед виконанням будь-яких налаштувань або зніманням/встановленням насадок чи аксесуарів. Переконайтеся, що вимикач знаходиться в положенні Вимк. Випадковий запуск може призвести до травм.

Заміна пильних дисків

Встановлення пильного диска (рис. А–D)



ОБЕРЕЖНО (ЛИШЕ ДЛЯ DWE550): Внутрішній фланець має діаметр 20 мм з одного боку та діаметр 19 мм – з іншого. Сторона діаметром 19 мм позначена як 19, а сторона діаметром 20 мм – як 20. Використовуйте правильну сторону для діаметра отвору диска, що застосовується. Встановлення диска з неправильної сторони може призвести до небезпечних вібрацій.

1. За допомогою важеля нижнього кожуха **11** втягніть нижній кожух диска **9** і помістіть диск на шпindel пилки навпроти внутрішньої шайби затиску **15**, стежачи за тим, щоб диск обертався в правильному напрямку (напрямок стрілки обертання на пильному диску та зубці повинні бути спрямовані в тому ж напрямку, що і стрілка

напрямку обертання на пилці). Не думайте, що при правильному встановленні друк на диску завжди буде спрямований до вас. При втягуванні нижнього захисного кожуха для встановлення диска перевірте стан і роботу нижнього захисного кожуха диска, щоб переконатися, що він працює належним чином. Переконайтеся, що він вільно рухається і не торкається пильного диска та інших деталей в жодному з напрямків та за будь-якої глибини розпилювання.

2. Встановіть зовнішню затиску шайбу **14** на шпindel пилки великою щільною поверхнею до диска, а написом на зовнішній затискній шайбі до себе.
3. Вкрутіть затискний гвинт полотна **10** в шпindel пилки вручну (гвинт має правостороннє різьблення і повинен затягуватися за годинниковою стрілкою).
4. Затисніть фіксатор диска **3**, обертаючи при цьому шпindel пилки ключем пильного диска, до тих пір, поки фіксатор полотна не спрацює і диск не перестане обертатися.
5. Добре затягніть затискний гвинт пильного диска за допомогою гайкового ключа.

ПРИМІТКА. Ні в якому разі не задійте фіксатор пильного диска під час роботи пилки і не намагайтеся зупинити інструмент. Ніколи не вмикайте пилку із задіяним фіксатором пильного диска. Це призведе до серйозного пошкодження пилки.

Заміна пильного диска (рис. B–D)

1. Щоб послабити затискний гвинт диска **10**, затисніть фіксатор диска **3** і поверніть при цьому шпindel пилки ключем пильного диска **19** до тих пір, поки фіксатор диска не спрацює і диск не перестане обертатися. З задіяним фіксатором диска поверніть затискний гвинт диска проти годинникової стрілки за допомогою гайкового ключа (гвинт має праве різьблення і для ослаблення повинен бути повернений проти годинникової стрілки).
2. Зніміть затискний гвинт диска **10** і зовнішню шайбу затиску **14**. Зніміть старий пильний диск.
3. Очистіть всю тирсу, що могла накопичитися в області кожуха або шайби затиску, і перевірте стан і роботу нижнього кожуха диска, як описано вище. Не змашуйте цю область.
4. Завжди використовуйте диски правильного розміру (діаметра) з відповідним розміром і формою центрального отвору для встановлення на шпindel пилки. Завжди стежте за тим, щоб максимальна рекомендована частота обертання (об/хв) пильного диска співпадала зі швидкістю обертання (об/хв) пилки або перевищувала її.
5. Виконайте кроки з 1 по 5 в розділі «**Встановлення пильного диска**» і переконайтеся, що диски будуть обертатися в правильному напрямку.

Нижній захисний кожух диска



УВАГА! Нижній захисний кожух диска є запобіжним пристроєм, що знижує ризик отримання важких

травм. Ніколи не використовуйте пилку, якщо нижній захисний кожух відсутній, пошкоджений, неправильно змонтований або неправильно працює. Ні в якому разі не розраховуйте, що нижній захисний кожух диска захистить вас. Ваша безпека залежить від дотримання всіх застережень і запобіжних заходів, а також від правильної експлуатації пилки. Перед використанням перевірте, щоб нижній захисний кожух був зафіксований відповідним чином. Якщо нижній кожух захисний диска відсутній або не працює належним чином, то перед використанням пилки необхідно провести її технічне обслуговування. Для забезпечення безпеки і надійності продукту ремонт, технічне обслуговування та регулювання повинні виконуватися авторизованим сервісним центром або іншою кваліфікованою сервісною організацією, завжди з використанням ідентичних запасних частин.

Перевірка нижнього захисного кожуха (рис. A)

1. Вимкніть інструмент та відключіть його від джерела живлення.
2. Поверніть важіль нижнього захисного кожуха (рис. A, **11**) з повністю закритого положення в повністю відкрите.
3. Відпустіть важіль **11** і поспостерігайте за тим, як захисний кожух **9** повертається в повністю закрите положення.

Обслуговування інструменту має здійснюватися кваліфікованим сервісним центром, якщо:

- не повертається у повністю закрите положення,
- рухається з перервами або повільно, або
- стикається з диском або будь-якою частиною інструменту у всіх кутах і глибині розрізу.

Регулювання глибини різання (рис. E–G)

1. Підніміть важіль налаштування глибини **16**, щоб послабити його.
2. Для отримання правильної глибини різання вирівняйте виїмку на ремініці регулювання глибини різання **17** з відповідною міткою на верхньому захисному кожусі диска **12**.
3. Затягніть важіль налаштування глибини
4. Для найбільш ефективного різання за допомогою твердосплавного пильного диска відрегулюйте глибину так, щоб приблизно половина зубця виступала нижче поверхні деревини, що розпилюється.
5. Метод перевірки правильної глибини різання показаний на рис. G. Покладіть шматок матеріалу, який ви плануєте різати вздовж боку диска, як показано на рисунку, і подивіться, наскільки зубці виступають за матеріал.

Регулювання кута скосу кромки (рис. H)

Механізм регулювання кута нахилу **7** можна відрегулювати в межах від 0° до 48°.

1. Поверніть ручку регулювання кута нахилу **6**, щоб послабити її.
2. Нахиліть опорну пластину до потрібної кутової позначки на поворотному кронштейні **21**.
3. Поверніть ручку регулювання кута нахилу, щоб знов затягнути її.

Індикатор пропили (рис. I)

У передній частині опорної пластини пилки є індикатор пропили **20** для вертикального розпилювання та розпилювання під кутом. Цей індикатор дозволяє направляти пилу уздовж ліній розрізу, накреслених на матеріалі, що розпилюється. Індикатор збігається з лівою (внутрішньою) стороною пильного диска, в результаті чого паз або «пропил», розрізаний пильним диском, що рухається, йде праворуч від індикатора. Віймки на опорній пластині означають 0° та 45°.

Регульований протектор шнура (рис. J)

Регульований протектор шнура **22** дозволяє розташовувати шнур вертикально або паралельно диску. Він постачається у вертикальному положенні.

Отримання паралельного положення (рис. J1)

1. Натисніть протектор шнура **22**, як показано стрілкою.
2. Поверніть протектор шнура за годинниковою стрілкою у паралельне положення.

Отримання вертикального положення (рис. J2)

1. Натисніть протектор шнура **22**, як показано стрілкою.
2. Поверніть протектор шнура проти годинникової стрілки у вертикальне положення.

Монтаж і регулювання напрямної планки (рис. K)

Напрямна планка **23** використовується для різання паралельно краю заготовки.

Монтаж

1. Вставте ручку регулювання напрямної планки **24** у отвір **27**, як показано на рис. K, тримаючи ручку послабленою так, щоб проходила напрямна планка.
2. Вставте напрямну планку **23** в опорну пластину **8**, як показано на рис. K.
3. Затягніть ручку регулювання напрямної планки **24**.

Регулювання

1. Відпустіть ручку регулювання напрямної **24** і встановіть напрямну планку **23** на потрібну ширину. Значення регулювання можна побачити на шкалі напрямної планки.
2. Затягніть ручку регулювання напрямної **24**.

Монтаж патрубку для видалення пилу (рис. A, E, L)

Ваша дискова пилка DWE550/DWE560 оснащена патрубком для видалення пилу.

Встановлення патрубка для видалення пилу



1. Повністю відкрутіть важіль налаштування глибини (рис. E, **16**).
2. Розмістіть опорну пластину (рис. A, **8**) у нижньому положенні.
3. Вирівняйте дві половини патрубка для видалення пилу **25** над верхнім захисним кожухом диска **12**, як показано на рисунку.
4. Вставте гвинти і надійно затягніть.

Перед експлуатацією



- Переконайтесь, що запобіжники встановлені вірно. Запобіжник пильного полотна повинен бути в закритому положенні.
- Переконайтесь, що пильний диск обертається у напрямку, вказаному стрілкою на диску.
- Не використовуйте занадто зношені пильні диски.

ЕКСПЛУАТАЦІЯ

Інструкції з використання

-  **УВАГА!** Завжди дотримуйтесь усіх інструкцій з техніки безпеки та відповідних норм.
-  **УВАГА!** Щоб знизити ризик серйозних травм, вимкніть інструмент та відключіть його від мережі живлення перед виконанням будь-яких налаштувань або знімання/встановлення насадок чи аксесуарів. Переконайтесь, що вимикач знаходиться в положенні Вимк. Випадковий запуск може призвести до травм.

Належне положення рук (рис. M)

-  **УВАГА!** Щоб знизити ризик серйозних травм, **ЗАВЖДИ** правильно розташовуйте руки, як показано.
-  **УВАГА!** Щоб знизити ризик серйозних травм, **ЗАВЖДИ** надійно тримайте інструмент, щоб попередити випадкову віддачу.

При правильному положенні рук необхідно одну руку тримати на основній ручці **2**, а іншу – на допоміжній ручці **5**.

Увімкнення/вимкнення (рис. A)

Для підвищення безпеки курковий перемикач **1** вашого інструменту оснащений кнопкою блокування **13**.

Натисніть кнопку блокування, щоб розблокувати інструмент. Щоб увімкнути інструмент, натисніть курковий перемикач **1**. Коли ви відпускаєте тригерний перемикач, автоматично активується кнопка блокування для уникнення випадкового запуску інструменту.

ПРИМІТКА. Не вмикайте/вимикайте інструмент, коли пильний диск торкається заготовки або матеріалу.

Закріплення заготовки (рис. N–Q)



УВАГА! Щоб зменшити ризик отримання важких травм, належним чином підтримуйте заготовку і міцно тримайте пилку, щоб запобігти втраті контролю.

На рис. N і P зображено правильне положення пилки. На рис. O і Q зображено небезпечний стан. Руки слід тримати подалі від зони різання, а шнур живлення повинен бути розташований далеко від зони різання, щоб він не застряг і не висів на заготовці.

Щоб уникнути віддачі, ЗАВЖДИ підтримуйте дошку або панель БЛЯ місця різання (рис. N і P). НЕ підтримуйте дошку або панель далеко від місця різання (рис. O і Q). При роботі з пилкою тримайте шнур подалі від місця різання і не допускайте, щоб він висів на заготовці.

ПЕРЕД ВИКОНАННЯМ РЕГУЛЮВАНЬ ЗАВЖДИ ВІДКЛЮЧАЙТЕ ПИЛКУ! Помістіть заготовку з її «хорошою» стороною – тією, зовнішній вигляд якої найбільш важливий – донизу. Пилка ріже вгору, тому при різанні будь-коли будуть на верхній робочій поверхні.

Різння



УВАГА! Ніколи не використовуйте інструмент у переверненому стані на робочій поверхні та не підносите до нього матеріал. Необхідно завжди надійно затискати заготовку та піднести інструмент до неї, надійно тримаючи інструмент двома руками, як зображено на рис. P.

Встановіть ширшу частину опорної пластини пилки на міцно закріплену частину заготовки, а не на частину, яка відпаде при виконанні розрізу. Як приклад на рис. P показаний ПРАВИЛЬНИЙ спосіб відрізання кінця дошки. Завжди затискайте заготовку. Не намагайтесь тримати короткі шматки руками! Не забудьте підтримувати матеріал, що виступає або звисає. Будьте обережні при розпилюванні матеріалу знизу.

Перш ніж різати матеріал, переконайтеся в тому, що пилка працює на повній швидкості. Запуск пилки з пильним диском на матеріалі, що підлягає різанню, або штовхання його в пропили може привести до віддачі. Штовхайте пилку вперед зі швидкістю, що дозволяє пильному диску різати без зусиль. Твердість і в'язкість можуть відрізнятись навіть в одному і тому ж шматку матеріалу, а сучкуваті або сирі ділянки можуть створювати сильне навантаження на пилку. В такому випадку штовхайте пилку повільніше, але досить сильно, щоб продовжувати роботу без значного зменшення швидкості. Надмірне натискання на пилку може привести до грубих розрізів, неточностей, віддачі і перегріву двигуна. Якщо ваш розріз почне відхилятися від лінії, не намагайтесь повернути його назад. Відпустіть перемикач і дайте пильному диску повністю зупинитися. Потім ви можете вийняти пилку, заново навести і почати новий розріз злегка всередині неправильного. У будь-якому випадку виймайте пилку, якщо вам потрібно зрушити розріз. Примусова корекція всередині розрізу може загальмувати пилку і призвести до віддачі.

ЯКЩО ПИЛКА ЗУПИНІТЬСЯ, ВІДПУСТИТЬ ПЕРЕМИКАЧ І ПОТЯГНІТЬ ПИЛКУ НАЗАД ДО ЇЇ ЗВІЛЬНЕННЯ. ПЕРЕД ПОВТОРНИМ ЗАПУСКОМ ПЕРЕКОНАЙТЕСЯ В ТОМУ, ЩО ПИЛЬНИЙ ДИСК ПРЯМО В РОЗРІЗІ І ОЧИСТИТЬ РІЖУЧУ КРОМКУ.

Після закінчення різання відпустіть перемикач і дайте пильному диску зупинитися, перш ніж підняти пилу з заготовки. При піднятті пилки телескопічний кожух, натягнутий пружиною, автоматично закривається під диском. Пам'ятайте, що до цього моменту пильний диск відкритий. Ніколи не підставляйте руки під деталь. При необхідності втягування телескопічного захисного кожуха вручну (як це необхідно при запуску наскрізного розпилювання) завжди використовуйте важіль втягування.

ПРИМІТКА. При різанні тонких смужок стежте за тим, щоб маленькі відрізані шматки не звисали з внутрішньої сторони нижнього захисного кожуха.

Поздовжнє розпилювання

Поздовжнє розпилювання – це процес різання більш широких дощок на вузькі смужки – розрізання вздовж волокон. Для цього типу різання ручне спрямування є більш складним, і рекомендується використовувати напрямну планку DeWALT (рис. K, 23).

Наскрізне розпилювання (рис. R)



УВАГА! Ніколи не затягуйте захисний кожух диска в піднятому положенні. Ніколи не рухайте пилку назад при наскрізному розпилюванні. Це може призвести до підняття пристрою з робочої поверхні, що може стати причиною травм.

Наскрізне розпилювання – це розпилювання, яке виконується на підлозі, стіні або іншій плоскій поверхні.

1. Відрегулюйте опорну пластину пилки таким чином, щоб розрізи пильного диска були бажаної глибини.
2. Нахиліть пилку вперед і встановіть передню частину опорної пластини на матеріал, який підлягає розпилу.
3. За допомогою важеля нижнього захисного кожуха втягніть нижній захисний кожух диска в верхнє положення. Опускайте задню частину опорної пластини до тих пір, поки зубці диска будуть майже торкатися лінії різання.
4. Відпустіть захисний кожух диска (його контакт із заготовкою утримає його у відкритому положенні, щоб він міг вільно відкриватися при початку різання). Приберіть руку з важеля захисного кожуха і міцно візьміться за допоміжну ручку 5, як показано на рис. R. Розмістіть тіло і руку так, щоб ви могли чинити опір віддачі в разі її виникнення.
5. Перед запуском пилки переконайтеся, що пильний диск не стикається з робочою поверхнею.
6. Запустіть двигун і поступово опускайте пилу до тих пір, поки її опорна пластинка не буде прилягати до матеріалу, який підлягає розпилу. Просувайте пилку вздовж лінії розпилу до завершення розпилу.
7. Відпустіть перемикач і дайте пильному диску повністю зупинитися, перш ніж витягати його з матеріалу.

8. При запуску кожного нового розпилу повторюйте процедуру, описану вище.



Видалення пилу (рис. 5)

- УВАГА!** Ризик вдихання пилу. Для зменшення ризику отримання травм **ЗАВЖДИ** використовуйте схвалену пилозахисну маску.

Ваш інструмент оснащений патрубком для видалення пилу **25**.

Шланги багатьох пирососів можна прикріпити безпосередньо до патрубка видалення пилу.

- УВАГА! ЗАВЖДИ** використовуйте пиросос, розроблений згідно з відповідними директивами щодо викиду пилу при розрізанні деревини. Шланги багатьох пирососів можна прикріпити безпосередньо до отвору для видалення пилу.

Система роз'ємів AirLock – DWV9000 (продається окремо) (рис. 5)

Роз'єм AirLock забезпечує швидке і надійне з'єднання між патрубком для видалення пилу інструмента **25** і пирососом.

1. Переконайтеся, що манжета на роз'ємі AirLock знаходиться в розблокованому положенні. Вирівняйте вилки на манжеті і роз'ємі AirLock, як показано для положень розблокування і блокування.
2. Вставте роз'єм AirLock в патрубок для видалення пилу **25**.
3. Поверніть манжету в заблоковане положення.

ТЕХНІЧНЕ ОБСЛУГОВУВАННЯ

Ваш інструмент виробництва компанії DEWALT призначений для роботи протягом довгого часу з мінімальним обслуговуванням. Довга задовільна робота приладу залежить від належного обслуговування приладу та регулярного його очищення.

- УВАГА!** Щоб знизити ризик серйозних травм, вимкніть інструмент та відключіть його від мережі живлення перед виконанням будь-яких налаштувань або зніманням/встановленням насадок чи аксесуарів. Переконайтеся, що вимикач знаходиться в положенні вимк. Випадковий запуск може призвести до травм.



Змащування

В інструменті використовуються самозмазуючі кулькові і роликіві підшипники, і повторне змащування не потрібне. Однак рекомендується раз на рік доставляти або відправляти інструмент в сервісний центр для ретельного очищення, огляду і змащування редуктора.



Очищення

- УВАГА!** Коли пил та бруд стають помітними та починають накопичуватися біля вентиляційних отворів, видавайте бруд та пил зсередини основного корпусу за допомогою сухого повітря. Використовуйте рекомендовані засоби захисту органів зору та рекомендовану протипилову маску при виконанні цієї операції.

Нижній захисний кожух

Нижній захисний кожух завжди повинен вільно обертатися і закриватися від повністю відкритого до повністю закритого положення. Перед різанням завжди перевіряйте правильність роботи, повністю відкриваючи захисний кожух і даючи йому закритися. Якщо кожух закривається повільно або не повністю його потрібно почистити або відремонтувати. Не використовуйте пилку, поки кожух не буде правильно працювати. Для очищення кожуха використовуйте сухе повітря або м'яку щітку, щоб видалити всі накопичення тирси або сміття зі шляху кожуха і навколо нього. Якщо все ще виникають проблеми, кожух підлягає обслуговуванню в авторизованому сервісному центрі.

- УВАГА!** Ніколи не використовуйте розчинники та інші агресивні хімічні засоби для очищення неметалевих деталей інструмента. Такі хімічні речовини можуть нанести шкоду матеріалам, що використовуються в цих деталях. Використовуйте вологу тканину, змочену лише водою з м'яким милом. Не дозволяйте рідині потрапляти всередину інструмента та ніколи не занурюйте деталі інструмента в рідину.

Диски

Тупий диск призведе до неефективного різання, перевантаження двигуна пилки, надмірного утворення сколів, а також збільшить ймовірність віддачі. Замінійте пильні диски, якщо пилку стає нелегко проштовхнути через розпил, якщо двигун працює з великим навантаженням, або якщо пильний диск занадто сильно нагрівається. Хороша практика – тримати під рукою додаткові диски, щоб гострі диски були доступні для негайного використання. Тупі леза можна заточувати в більшості випадків.

Затверділу жуйку на диску можна видалити гасом, скипидаром або очисним засобом для духовок. Диски з антипригарним покриттям можна використовувати в тих випадках, коли виникає надмірне накопичення налипань, наприклад, при обробці під тиском і обробці зеленої деревини.

Додаткове приладдя

- УВАГА!** Оскільки інше приладдя, що не рекомендоване компанією DEWALT, не було перевірено з цим виробом, використання такого приладдя з цим інструментом може бути небезпечним. Щоб

*знизити ризик травми використовуйте лише
приладдя, рекомендоване компанією DeWALT.*

НЕ ВИКОРИСТОВУЙТЕ З ЦЬЮ ПИЛКОЮ НАСАДКИ З ПОДАЧЕЮ
ВОДИ.

ВІЗУАЛЬНО ОГЛЯНЬТЕ ТВЕРДОСПЛАВНІ ДИСКИ ПЕРЕД
ВИКОРИСТАННЯМ. ЗАМІНІТЬ В РАЗІ ПОШКОДЖЕННЯ.

Зверніться до свого дилера для отримання подальшої
інформації щодо відповідного приладдя.

Захист навколишнього середовища



Роздільний збір. Пристрої та батареї, позначені
цим символом, не можна викидати зі звичайним
побутовим сміттям.

Пристрої та батареї містять матеріали, які можна
відновити та переробити, що зменшить потребу у сировині.
Будь ласка, віддавайте електричні інструменти та батареї на
переробку відповідно до місцевих постанов. Більш детальну
інформацію можна отримати на сайті www.2helpU.com.



Виробник:
"Stanley Black & Decker Deutschland
GmbH" Black-&-Decker Str.40, D-65510
Idstein, Німеччина

DEWALT

ГАРАНТІЙНИЙ ТАЛОН

**3 РОКИ
ГАРАНТІЇ**

1. Вітаємо Вас з покупкою високоякісного виробу DEWALT і висловлюємо вдячність за Ваш вибір.
2. При покупці виробу вимагайте перевірки його комплектності і справності у Вашій присутності, інструкцію з експлуатації та заповнений гарантійний талон українською мовою. В гарантійному талоні повинні бути внесені: модель, дата продажу, серійний номер, дата виробництва інструменту, назва, печатка і підпис торгової організації. За відсутності у Вас правильно заповненого гарантійного талону, а також при невідповідності зазначених у ньому даних ми будемо змушені відхилити Ваші претензії щодо якості даного виробу.
3. Щоб уникнути непорозумінь, переконливо просимо Вас перед початком роботи з виробом уважно ознайомитися з інструкцією з його експлуатації. Правовою основою справних гарантійних умов є чинне Законодавство. Гарантійний термін на даний виріб складає 36 місяці і обчислюється з дня продажу. У разі усунення недоліків виробу, гарантійний строк продовжується на період його перебування в ремонті. Термін служби виробу становить 5 років з дня продажу.
4. У разі виникнення будь-яких проблем у процесі експлуатації виробу рекомендуємо Вам звертатися тільки в уповноважені сервісні центри DEWALT, адреси та телефони яких Ви зможете знайти в гарантійному талоні, на сайті www.2helpU.com або дізнатися в магазині. Наші сервісні станції - це не тільки кваліфікований ремонт, але і широкий асортимент запчастин і аксесуарів.
5. Виробник рекомендує проводити періодичну перевірку і технічне обслуговування виробу в уповноважених сервісних центрах.
6. Наші гарантійні зобов'язання поширюються тільки на несправності, виявлені протягом гарантійного терміну і викликані дефектами виробництва та \ або матеріалів.
7. Гарантійні умови не поширюються на несправності виробу, що виникли в результаті:
 - 7.1. Недотримання користувачем приписів інструкції з експлуатації виробу, застосування виробу не за призначенням, неправильного зберігання, використання приладдя, витратних матеріалів і запчастин, що не передбачені виробником.
 - 7.2. Механічного пошкодження (відколи, тріщини і руйнування) внутрішніх і зовнішніх деталей виробу, основних і допоміжних рукояток, мережевого кабелю, що викликані зовнішнім ударним або будь-яким іншим впливом
 - 7.3. Поتراплення у вентиляційні отвори та проникнення всередину виробу сторонніх предметів, матеріалів або речовин, що не є відходами, які супроводжують застосування виробу за призначенням, такими як: стружка, тирса, пісок, тін.
 - 7.4. Впливу на виріб несприятливих атмосферних і інших зовнішніх факторів, таких як дощ, сніг, підвищена вологість, нагрівання, агресивне середовище, невідповідність параметрів електромережі, що зазначені на інструменті.
 - 7.5. Стихійного лиха. Пошкодження або втрати виробу, що пов'язані з непередбаченими лихами, стихійними явищами, у тому числі внаслідок дії непереборної сили (пожежа, блискавка, потоп і інші природні явища), а також внаслідок перепадів напруги в електромережі та іншими причинами, які знаходяться поза контролем виробника.
8. Гарантійні умови не поширюються:
 - 8.1. На інструменти, що піддавалися розкриттю, ремонту або модифікації поза уповноваженим сервісним центром.
 - 8.2. На деталі, вузли та матеріали, що мають сліди природного зносу, такі як: приводні ремені і колеса, вугільні щітки, мастило, підшипники, зубчасті зчеплення редукторів, гумові ущільнення, сальники, направляючі ролики, муфти, вижимачі, бойки, штовхачі, стовпи тощо.
 - 8.3. На змінні частини: патрони, цанги, затискні гайки і фланці, фільтри, ножі, шліфувальні підшви, ланцюги, зірочки, пильні шини, захисні кожухи, пилки, абразиви, пильні і абразивні диски, фрези, свердла, бури тощо
 - 8.4. На несправності, що виникли в результаті перевантаження інструменту (як механічного, так і електричного), що спричинили вихід з ладу одночасно двох і більше деталей і вузлів, таких як: ротора і статора, обох обмоток статора, веденої і ведучої шестерень редуктора або інших вузлів і деталей. До безумовних ознак перевантаження виробу відносяться, крім інших: поява кольорів мінливості, деформація або оплвлення деталей і вузлів виробу, потемніння або обуглювання ізоляції проводів електродвигуна під впливом високої температури.

Товар отриманий в справному стані, без видимих ушкоджень, в повній комплектації, перевірений у моїй присутності, претензій щодо якості товару не маю. З умовами гарантійного обслуговування ознайомлений і згоден.

П. І. Б. та підпис власника _____

Шановні клієнти, наша мережа авторизованих сервісних центрів постійно розширюється. Актуальну інформацію про обслуговування в місті, що цікавить вас, ви можете дізнатися на сайті

www.2helpU.com

Редакція ВК/12-12-2018

Інформація про інструмент

Найменування інструменту	
Модель	
Найменування продавця	
Дата продажу	

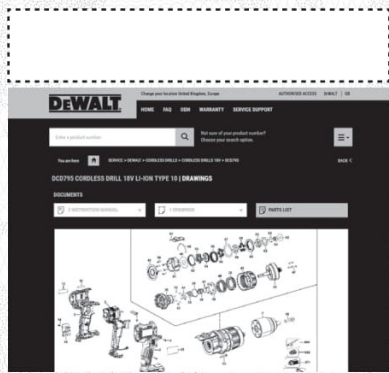
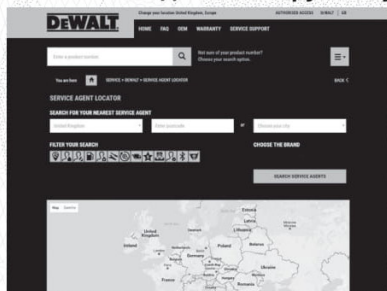
М.П.
Продавця

Серійний номер/Дата виробництва

Інструмент	
Зарядний пристрій	
Акумулятор 1	
Акумулятор 2	

На сайті www.2helpU.com доступні наступні функції:

- Список авторизованих сервісних центрів
- Зручний пошук найближчого сервісного центру
- Керівництво з експлуатації
- Технічні характеристики
- Список деталей і запасних частин
- Схема складання інструменту



**Також дану інформацію ви можете отримати, зателефонувавши за номером:
0 (800) 211 521 в Україні**

ВІДМІТКА ПРО ПРОВЕДЕННЯ СЕРВІСНОГО ОБСЛУГОВУВАННЯ

№1	№2	№3	№4
№ замовлення	№ замовлення	№ замовлення	№ замовлення
Дата прийому	Дата прийому	Дата прийому	Дата прийому
Дата ремонту	Дата ремонту	Дата ремонту	Дата ремонту
Печатка і підпис сервісного центру	Печатка і підпис сервісного центру	Печатка і підпис сервісного центру	Печатка і підпис сервісного центру

