

If you have questions or comments, contact us.
Pour toute question ou tout commentaire, nous contacter.
Si tiene dudas o comentarios, contáctenos.

1-800-4-DEWALT • www.dewalt.com

INSTRUCTION MANUAL
GUIDE D'UTILISATION
MANUAL DE INSTRUCCIONES



DEWALT®

D25303DH
Dust Extraction System with HEPA Filter
Système de dépolluissage avec filtre H.E.P.A.
Sistema de extracción de polvo con Filtro HEPA

DEWALT Industrial Tool Co., 701 East Joppa Road, Towson, MD 21286
(AUG15) Part No. N451310 D25303DH Copyright © 2015 DEWALT

The following are trademarks for one or more DEWALT power tools: the yellow and black color scheme; the "D" shaped air intake grill; the array of pyramids on the handgrip; the kit box configuration; and the array of lozenge-shaped humps on the surface of the tool.

Definitions: Safety Guidelines

The definitions below describe the level of severity for each signal word. Please read the manual and pay attention to these symbols.

▲ DANGER: Indicates an imminently hazardous situation which, if not avoided, will result in **death or serious injury**.

▲ WARNING: Indicates a potentially hazardous situation which, if not avoided, could result in **death or serious injury**.

▲ CAUTION: Indicates a potentially hazardous situation which, if not avoided, may result in **minor or moderate injury**.

NOTICE: indicates a practice **not related to personal injury** which, if not avoided, may result in **property damage**.

IF YOU HAVE ANY QUESTIONS OR COMMENTS ABOUT THIS OR ANY DEWALT TOOL, CALL US TOLL FREE AT: **1-800-4-DEWALT (1-800-433-9258)**



WARNING: To reduce the risk of injury, read all of this manual carefully before operating the attachment. Also refer to the manual of any power tool that will be used with this attachment.

General Power Tool Safety Warnings



WARNING! Read all safety warnings and all instructions. Failure to follow the warnings and instructions for this accessory and the power tool may result in electric shock, fire and/or serious injury.

SAVE ALL WARNINGS AND INSTRUCTIONS FOR FUTURE REFERENCE

The term "power tool" in the warnings refers to your mains-operated (corded) power tool or battery-operated (cordless) power tool.

1) WORK AREA SAFETY

- Keep work area clean and well lit.** Cluttered or dark areas invite accidents.
- Do not operate power tools in explosive atmospheres, such as in the presence of flammable liquids, gases or dust.** Power tools create sparks which may ignite the dust or fumes.
- Keep children and bystanders away while operating a power tool.** Distractions can cause you to lose control.

2) ELECTRICAL SAFETY

- Power tool plugs must match the outlet. Never modify the plug in any way. Do not use any adapter plugs with earthed (grounded) power tools.** Unmodified plugs and matching outlets will reduce risk of electric shock.
- Avoid body contact with earthed or grounded surfaces such as pipes, radiators, ranges and refrigerators.** There is an increased risk of electric shock if your body is earthed or grounded.
- Do not expose power tools to rain or wet conditions.** Water entering a power tool will increase the risk of electric shock.
- Do not abuse the cord. Never use the cord for carrying, pulling or unplugging the power tool. Keep cord away from heat, oil, sharp edges or moving parts.** Damaged or entangled cords increase the risk of electric shock.
- When operating a power tool outdoors, use an extension cord suitable for outdoor use.** Use of a cord suitable for outdoor use reduces the risk of electric shock.
- If operating a power tool in a damp location is unavoidable, use a ground fault circuit interrupter (GFCI) protected supply.** Use of a GFCI reduces the risk of electric shock.

3) PERSONAL SAFETY

- Stay alert, watch what you are doing and use common sense when operating a power tool. Do not use a power tool while you are tired or under the influence of drugs, alcohol or medication.** A moment of inattention while operating power tools may result in serious personal injury.

- Use personal protective equipment. Always wear eye protection.** Protective equipment such as dust mask, non-skid safety shoes, hard hat, or hearing protection used for appropriate conditions will reduce personal injuries.
- Prevent unintentional starting. Ensure the switch is in the off position before connecting to power source and/or battery pack, picking up or carrying the tool.** Carrying power tools with your finger on the switch or energizing power tools that have the switch on invites accidents.
- Remove any adjusting key or wrench before turning the power tool on.** A wrench or a key left attached to a rotating part of the power tool may result in personal injury.
- Do not overreach. Keep proper footing and balance at all times.** This enables better control of the power tool in unexpected situations.
- Dress properly. Do not wear loose clothing or jewelry. Keep your hair, clothing and gloves away from moving parts.** Loose clothes, jewelry or long hair can be caught in moving parts.
- If devices are provided for the connection of dust extraction and collection facilities, ensure these are connected and properly used.** Use of dust collection can reduce dust-related hazards.

4) POWER TOOL USE AND CARE

- Do not force the power tool. Use the correct power tool for your application.** The correct power tool will do the job better and safer at the rate for which it was designed.
- Do not use the power tool if the switch does not turn it on and off.** Any power tool that cannot be controlled with the switch is dangerous and must be repaired.
- Disconnect the plug from the power source and/or the battery pack from the power tool before making any adjustments, changing accessories, or storing power tools.** Such preventive safety measures reduce the risk of starting the power tool accidentally.
- Store idle power tools out of the reach of children and do not allow persons unfamiliar with the power tool or these instructions to operate the power tool.** Power tools are dangerous in the hands of untrained users.
- Maintain power tools. Check for misalignment or binding of moving parts, breakage of parts and any other condition that may affect the power tool's operation. If damaged, have the power tool repaired before use.** Many accidents are caused by poorly maintained power tools.
- Keep cutting tools sharp and clean.** Properly maintained cutting tools with sharp cutting edges are less likely to bind and are easier to control.
- Use the power tool, accessories and tool bits etc., in accordance with these instructions taking into account the working conditions and the work to be performed.** Use of the power tool for operations different from those intended could result in a hazardous situation.

5) BATTERY TOOL USE AND CARE

- Recharge only with the charger specified by the manufacturer.** A charger that is suitable for one type of battery pack may create a risk of fire when used with another battery pack.
- Use power tools only with specifically designated battery packs.** Use of any other battery packs may create a risk of injury and fire.
- When battery pack is not in use, keep it away from other metal objects like paper clips, coins, keys, nails, screws, or other small metal objects that can make a connection from one terminal to another.** Shorting the battery terminals together may cause burns or a fire.
- Under abusive conditions, liquid may be ejected from the battery; avoid contact. If contact accidentally occurs, flush with water. If liquid contacts eyes, additionally seek medical help.** Liquid ejected from the battery may cause irritation or burns.

6) SERVICE

- Have your power tool serviced by a qualified repair person using only identical replacement parts.** This will ensure that the safety of the power tool is maintained.

Additional Safety Rules

▲ WARNING: ALWAYS USE SAFETY GLASSES. Everyday eyeglasses are NOT safety glasses. Also use face or dust mask if cutting operation is dusty. ALWAYS wear certified safety equipment:

- ANSI Z87.1 eye protection (CAN/CSA Z94.3).
- ANSI S12.6 (S3.19) hearing protection.
- NIOSH/OSHA respiratory protection.

▲ WARNING: Some dust created by power sanding, sawing, grinding, drilling, and other construction activities contains chemicals known to the State of California to cause cancer, birth defects or other reproductive harm. Some examples of these chemicals are:

- lead from lead-based paints,
- crystalline silica from bricks and cement and other masonry products, and
- arsenic and chromium from chemically-treated lumber.

Your risk from these exposures varies, depending on how often you do this type of work. To reduce your exposure to these chemicals: work in a well ventilated area, and work with approved safety equipment, such as those dust masks that are specially designed to filter out microscopic particles.

- Avoid prolonged contact with dust from power sanding, sawing, grinding, drilling, and other construction activities. Wear protective clothing and wash exposed areas with soap and water.** Allowing dust to get into your mouth, eyes, or lay on the skin may promote absorption of harmful chemicals.
- Do not use without dustbox and/or filter in place.**
- Do not use the appliance to pick up flammable or combustible liquids, such as gasoline, or use in areas where flammable or combustible liquids are present.**
- Do not pick up anything that is burning or smoking, such as cigarettes, matches or hot ashes.**
- To avoid spontaneous combustion, empty dust box after each use.**
- Do not leave dust extractor unattended when battery is installed.** Remove battery pack when not in use and before servicing.
- Do not put any objects into the openings.** Do not use with any opening blocked; keep free of dust, lint, hair and anything else that may reduce air flow.

▲ WARNING: Use of this tool can generate and/or disburse dust, which may cause serious and permanent respiratory or other injury. Although the filter material removes 99.97% of airborne particles 0.3 microns or greater, the dust extraction system may not capture all of the dust created by the drilling operation. Always use NIOSH/OSHA approved respiratory protection appropriate for the dust exposure. Direct particles away from face and body.

▲ WARNING: Always wear proper personal hearing protection. Under some conditions and duration of use, noise from this product may contribute to hearing loss.

COMPONENTS (FIG. 1)

▲ WARNING: Never modify the power tool or any part of it. Damage or personal injury could result.

- | | |
|--|--|
| A. Dust extraction system | I. Dust brush |
| B. Base release buttons | J. Side handle |
| C. Dust collection box | K. Side handle support groove |
| D. Dust collection box release buttons | L. Side handle support locator |
| E. Telescope | M. Dust extractor electrical connectors |
| F. Depth adjustment button | N. Rotary hammer electrical connectors |
| G. Length adjustment button | O. Dust collection box filter assembly |
| H. Dust extraction head | P. Dust collection box filter assembly latch |

INTENDED USE

Your dust extraction system D25303DH has been designed for the extraction of dust in professional hammerdrilling in masonry or concrete, and with solid drill bits mounted to the power tool. DO NOT use for drilling plastic, wood or metal.

This dust extraction system will fit DEWALT 20V Max cordless SDS Plus® hammers DCH253, DCH254 (TYPE 2 only), DCH273 and DCH274.

▲ WARNING: DO NOT use for drilling plastic, wood or metal.

Recommended power tools to be used with this attachment are available at extra cost from your local dealer or authorized service center. If you need assistance in locating any power tool, please contact DEWALT Industrial Tool Co., 701 East Joppa Road, Baltimore, MD 21286, call 1-800-4-DEWALT (1-800-433-9258) or visit our website www.dewalt.com.

DO NOT use under wet conditions or in presence of flammable liquids or gases. The dust extraction system is an attachment for use with professional power tools. **DO NOT** let children come into contact with the tool. Supervision is required when inexperienced operators use this tool.

ASSEMBLY

⚠ WARNING: ALWAYS turn off tool and disconnect the tool from the power source before making any adjustments or removing or installing attachments or accessories. Such preventative safety measures reduce the risk of starting the tool accidentally.

Attaching and Removing the Dust Extraction System

TO ATTACH THE DUST EXTRACTION SYSTEM (FIG. 1-3, 5)

⚠ WARNING: To reduce the risk of personal injury, ALWAYS operate the tool with the side handle properly installed and securely tightened. Failure to do so may result in the side handle slipping during tool operation and subsequent loss of control. Hold tool with both hands to maximize control.

1. Remove the drill bit, side handle and the depth adjustment rod, if attached to the rotary hammer.
2. Attach supplied side handle (J) to the hammer.
3. Ensure the base release buttons are depressed and locked in the open position before attempting to fit the dust extraction system to the rotary hammer.
4. Insert hammer into the extractor, ensuring that both the electrical connectors and side handle support groove and locator align. The base released buttons will click into the closed position when hammer is properly seated in the extractor.

TO REMOVE THE DUST EXTRACTION SYSTEM (FIG. 2)

To remove the dust extraction system, press the two extractor base release buttons (B) and lift the rotary hammer off the duct extraction system.

OPERATION

⚠ WARNING: ALWAYS turn off tool and disconnect the tool from the power source before making any adjustments or removing or installing attachments or accessories. Such preventative safety measures reduce the risk of starting the tool accidentally.

⚠ WARNING: For your own safety, read the tool instruction manual before using any accessory. Failure to heed these warnings may result in personal injury and serious damage to the tool and the accessory. When servicing this tool, use only identical replacement parts.

⚠ WARNING: Do not use the tool without the filter in place.

Switch

The extraction system automatically starts when the rotary hammer is turned on.

Electronic Switch-off Delay

After turning the rotary hammer off, the extraction system will run for a few seconds longer to vacuum the remaining dust particles in the internal parts and collect the dust in the dust collection box.

Setting the Drilling Depth (Fig. 8)

Press the depth adjustment button (F) on top of the front slider and move it to the desired drilling depth. Release the button.

Adjusting the Drill Length (Fig. 1)

1. Insert the appropriate drill bit. The dust extractor head is designed for bits up to 5/8" diameter.
2. Hold the dust extraction head (H) against a wall.
3. Push the tool to make the drill bit touch the surface.
4. Press the length adjustment button (G) on top of the back slider and move it to the desired length. Release the button.
5. Gently withdraw the tool assembly from the wall, taking care that the spring-loaded mechanism does not release.

Emptying the Dust Collection Box (Fig. 4, 5)

⚠ WARNING: ALWAYS use eye protection (CAN/CSA Z94.3). All users and bystanders must wear eye protection that conforms to ANSI Z87.1.

⚠ WARNING: ALWAYS use proper NIOSH/OSHA/MSHA respiratory protection when performing this procedure.

⚠ CAUTION: Do not clean with water or compressed air.

The dust collection box (C) should be emptied as soon as the performance has noticeably decreased.

1. Press the dust collection box release buttons (D) and pull the dust collection box away from the dust extraction system. Once the catch mechanism is clear of the dust extraction system the upper joint will also release allowing the dust collection box to be removed completely.
2. To empty the dust collection box (C) position it over a suitable container to catch the dust contained within it. Lift up the assembly release latch (P) to open the dust collection box, separating the canister from the lid. Gently tapping the dust collection box will encourage any dust trapped within the filter to also be removed. Once the filter lid and canister are empty reattach them, ensuring the assembly release latch (P) is securely fastened. Refer to figure 5.
3. To reattach the dust collection box to the dust extraction system first insert the rounded profile of the upper joint into the recess on the dust extraction system. Pivot the dust collection box down so that the release buttons click back into place. Refer to figure 4.

MAINTENANCE

⚠ WARNING: ALWAYS turn off tool and disconnect the tool from the power source before making any adjustments or removing or installing attachments or accessories. Such preventative safety measures reduce the risk of starting the tool accidentally.

Your dust collector has been designed to operate over a long period of time with a minimum of maintenance. Continuous satisfactory operation depends on proper tool care and regular cleaning. Empty the dust extractor periodically or when the performance has noticeably decreased.

Replacing the Dust Collection Box Filter Assembly (fig. 4, 5)

⚠ WARNING: Wear approved eye protection and approved dust mask when performing this procedure.

NOTE: The filter should be replaced after every 100 to 120 cycles of use.

1. Press the dust collection box release buttons (D) and pull the dust collection box away from the dust extraction system. Once the catch mechanism is clear of the dust extraction system the upper joint will also release allowing the dust collection box to be removed completely.
2. Lift up the release catch (P) to open the dust collection box, separating the box from the assembly.
3. Discard dust collection box filter assembly (O) and replace with approved DEWALT service part.
4. Reattach the dust collection box to the dust extraction system first insert the rounded profile of the upper joint into the recess on the dust extraction system. Pivot the dust collection box down so that the release buttons click back into place.

Replacing the Dust Brush (Fig. 10)

⚠ WARNING: ALWAYS use eye protection (CAN/CSA Z94.3). All users and bystanders must wear eye protection that conforms to ANSI Z87.1.

⚠ WARNING: Use of this tool can generate and/or disburse dust, which may cause serious and permanent respiratory or other injury. Always use NIOSH/OSHA approved respiratory protection appropriate for the dust exposure.

The dust brush will wear during use and will need to be replaced.

1. Push the snap-fit (S) at the back of the extraction head, and pull it out of the head holder.
2. Use a screwdriver to remove the dust brush (I) out of the extraction head.
3. Replace the dust brush with a new one.
4. Make sure that the open end of the dust brush is positioned to the centering pocket at the extraction head.

FIG. 1

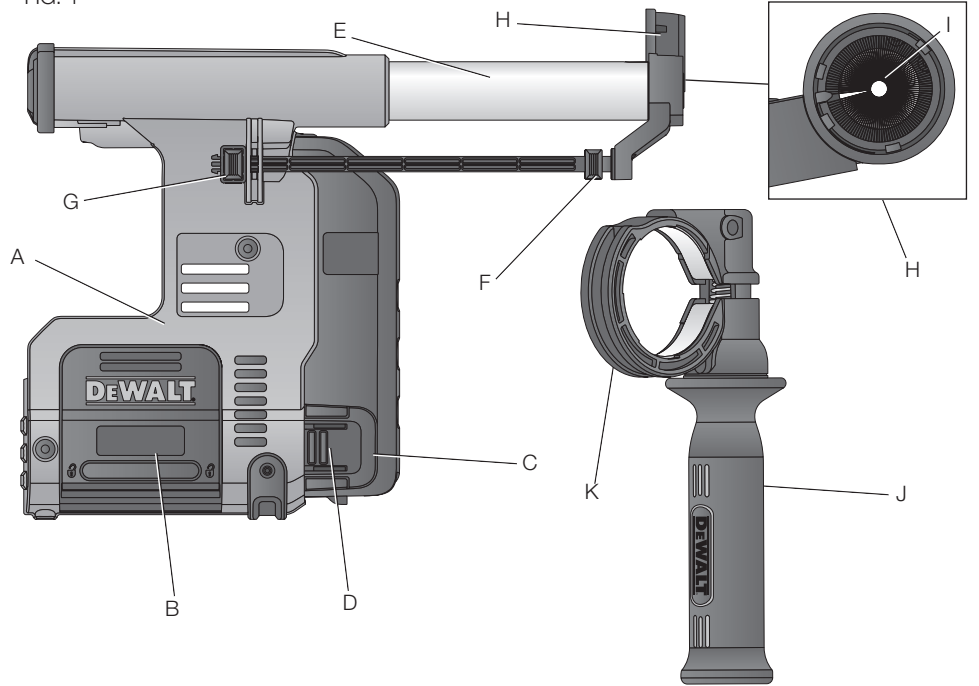


FIG. 2

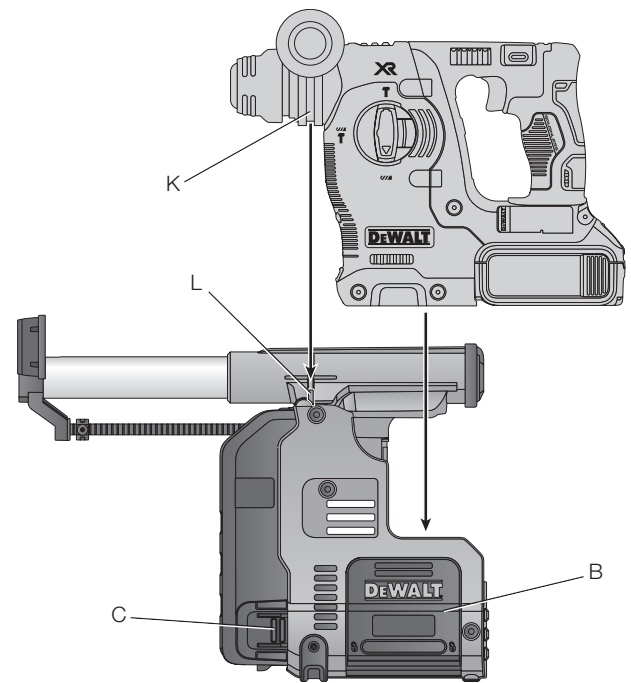


FIG. 3

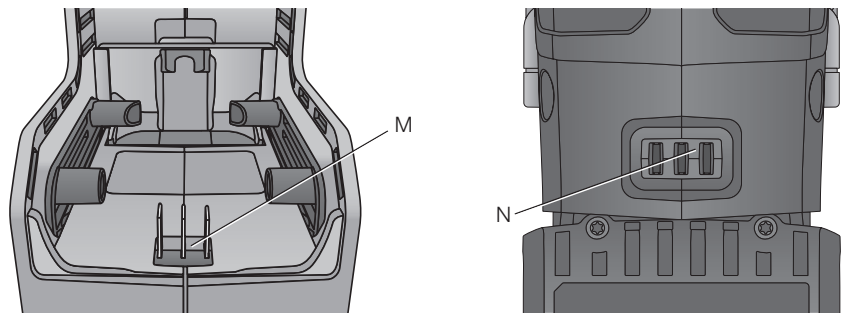


FIG. 4

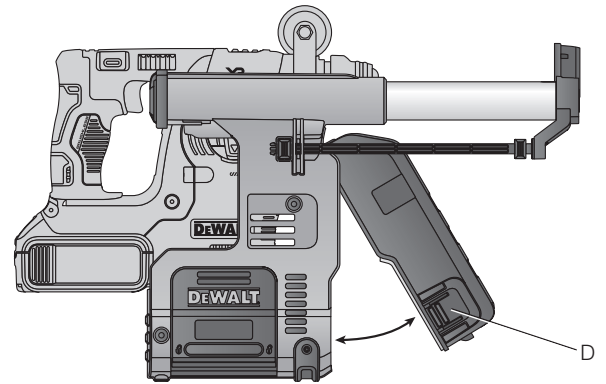


FIG. 5

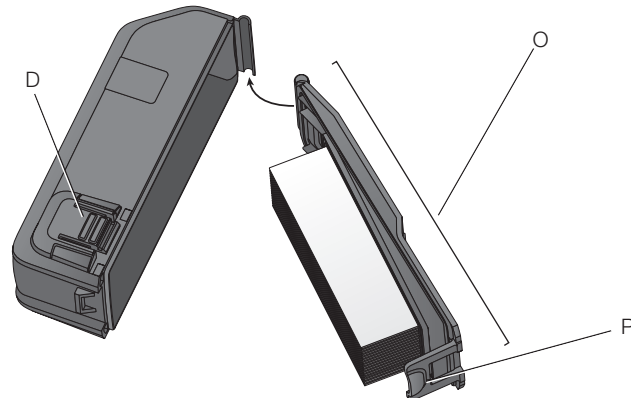
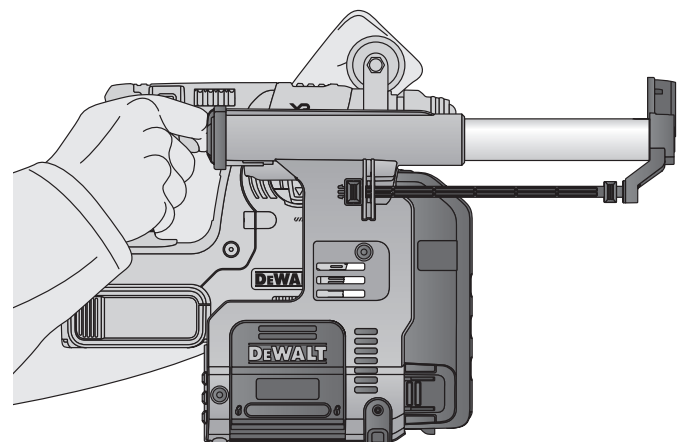
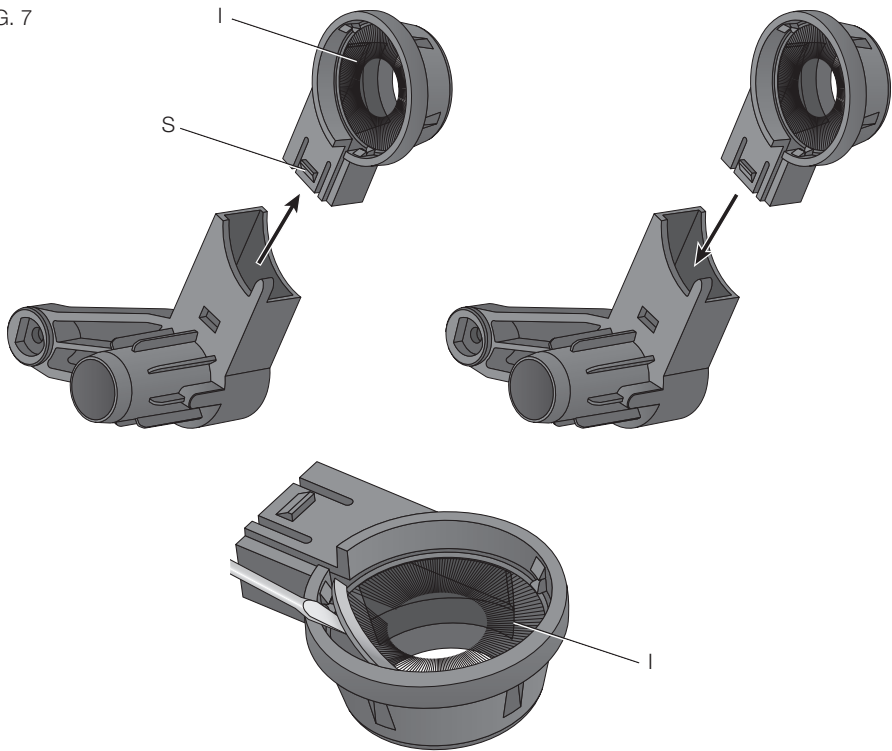


FIG. 6





5. Push the extraction head back into the head holder. The centering pin will stick into the open end of the dust brush and secure it in place.

Cleaning

▲ WARNING: Do not use a brush to clean the dust collector or filter.

▲ WARNING: Blow dirt and dust out of all air vents with clean, dry air at least once a week. To minimize the risk of eye injury, always wear ANSI Z87.1 approved eye protection when performing this.

▲ WARNING: Never use solvents or other harsh chemicals for cleaning the non-metallic parts of the tool. These chemicals may weaken the plastic materials used in these parts. Use a cloth dampened only with water and mild soap. Never let any liquid get inside the tool; never immerse any part of the tool into a liquid.

During intensive use the dust collector becomes clogged with dust. Refer to **Replacing The Dust Collector Box Filter Element**, under **OPERATION**.

Accessories

▲ WARNING: Since accessories, other than those offered by DEWALT, have not been tested with this product, use of such accessories with this tool could be hazardous. To reduce the risk of injury, only DEWALT recommended accessories should be used with this product.

If you need assistance, please contact DEWALT Industrial Tool Co., 701 East Joppa Road, Baltimore, MD 21286, call 1-800-4-DEWALT (1-800-433-9258) or visit our website www.dewalt.com.

Repairs

To assure product SAFETY and RELIABILITY, repairs, maintenance and adjustments should be performed by a DEWALT factory service center, a DEWALT authorized service center. Always use identical replacement parts.

Three Year Limited Warranty

DEWALT will repair, without charge, any defects due to faulty materials or workmanship for three years from the date of purchase. This warranty does not cover part failure due to normal wear or tool abuse. For further detail of warranty coverage and warranty repair information, visit www.dewalt.com or call 1-800-4-DEWALT (1-800-433-9258). This warranty does not apply to accessories or damage caused where repairs have been made or attempted by others. This warranty gives you specific legal rights and you may have other rights which vary in certain states or provinces.

In addition to the warranty, DEWALT tools are covered by our:

1 YEAR FREE SERVICE

DEWALT will maintain the tool and replace worn parts caused by normal use, for free, any time during the first year after purchase.

90 DAY MONEY BACK GUARANTEE

If you are not completely satisfied with the performance of your DEWALT Power Tool, Laser, or Nailer for any reason, you can return it within 90 days from the date of purchase with a receipt for a full refund – no questions asked.

LATIN AMERICA: This warranty does not apply to products sold in Latin America. For products sold in Latin America, see country specific warranty information contained either in the packaging, call the local company or see website for warranty information.

FREE WARNING LABEL REPLACEMENT: If your warning labels become illegible or are missing, call 1-800-4-DEWALT (1-800-433-9258) for a free replacement.



Définitions : lignes directrices en matière de sécurité

Les définitions ci-dessous décrivent le niveau de danger pour chaque mot-indicateur employé. Lire le mode d'emploi et porter une attention particulière à ces symboles.

▲ DANGER : indique une situation dangereuse imminente qui, si elle n'est pas évitée, entraînera la mort ou des blessures graves

▲ AVERTISSEMENT : indique une situation potentiellement dangereuse qui, si elle n'est pas évitée, pourrait entraîner la mort ou des blessures graves

▲ ATTENTION : indique une situation potentiellement dangereuse qui, si elle n'est pas évitée, pourrait entraîner des blessures légères ou modérées.

AVIS : indique une pratique ne posant aucun risque de dommages corporels mais qui par contre, si rien n'est fait pour l'éviter, pourrait poser des risques de dommages matériels.

POUR TOUTE QUESTION OU REMARQUE AU SUJET DE CET OUTIL OU DE TOUT AUTRE OUTIL DEWALT, COMPOSEZ LE NUMÉRO SANS FRAIS : 1-800-4-DEWALT (1-800-433-9258).

▲ AVERTISSEMENT : pour réduire tout risque de dommages corporels, lire soigneusement ce manuel avant toute utilisation de l'accessoire. Se reporter aussi au manuel de l'utilisateur des outils électriques utilisés avec cet accessoire.

Avertissements de sécurité généraux pour les outils électriques

▲ AVERTISSEMENT ! Lire toutes les instructions et toutes les consignes de sécurité. Tout manquement aux avertissements et consignes au niveau de cet accessoire ou de l'outil électrique pose des risques de décharges électriques, d'incendie et/ou de blessures graves.

CONSERVER TOUS LES AVERTISSEMENTS ET TOUTES LES DIRECTIVES POUR UN USAGE ULTÉRIEUR

Le terme « outil électrique » cité dans les avertissements se rapporte à votre outil électrique à alimentation sur secteur (avec fil) ou par piles (sans fil).

1) SÉCURITÉ DU LIEU DE TRAVAIL

- Tenir l'aire de travail propre et bien éclairée.** Les lieux encombrés ou sombres sont propices aux accidents.
- Ne pas faire fonctionner d'outils électriques dans un milieu déflamant, tel qu'en présence de liquides, de gaz ou de poussières inflammables.** Les outils électriques produisent des étincelles qui pourraient enflammer la poussière ou les vapeurs.
- Éloigner les enfants et les personnes à proximité pendant l'utilisation d'un outil électrique.** Une distraction pourrait en faire perdre la maîtrise à l'utilisateur.

2) SÉCURITÉ EN MATIÈRE D'ÉLECTRICITÉ

- Les fiches des outils électriques doivent correspondre à la prise. Ne jamais modifier la fiche d'aucune façon. Ne jamais utiliser de fiche d'adaptation avec un outil électrique mis à la terre.** Le risque de choc électrique sera réduit par l'utilisation de fiches non modifiées correspondant à la prise.
- Éviter tout contact physique avec des surfaces mises à la terre comme des tuyaux, des radiateurs, des cuisinières et des réfrigérateurs.** Le risque de choc électrique est plus élevé si votre corps est mis à la terre.
- Ne pas exposer les outils électriques à la pluie ou à l'humidité.** La pénétration de l'eau dans un outil électrique augmente le risque de choc électrique.
- Ne pas utiliser le cordon de façon abusive. Ne jamais utiliser le cordon pour transporter, tirer ou débrancher un outil électrique. Tenir le cordon éloigné de la chaleur, de l'huile, des bords tranchants et des pièces mobiles.** Les cordons endommagés ou enchevêtrés augmentent les risques de choc électrique.
- Pour l'utilisation d'un outil électrique à l'extérieur, se servir d'une rallonge convenant à cette application.** L'utilisation d'une rallonge conçue pour l'extérieur réduira les risques de choc électrique.
- S'il est impossible d'éviter l'utilisation d'un outil électrique dans un endroit humide, brancher l'outil dans une prise ou sur un circuit d'alimentation dotés d'un disjoncteur de fuite à la terre (GFCI).** L'utilisation de ce type de disjoncteur réduit les risques de choc électrique.

3) SÉCURITÉ PERSONNELLE

- Être vigilant, surveiller le travail effectué et faire preuve de jugement lorsqu'un outil électrique est utilisé. Ne pas utiliser d'outil électrique en cas de fatigue ou sous l'influence de drogues, d'alcool ou de médicaments.** Un simple moment d'inattention en utilisant un outil électrique peut entraîner des blessures corporelles graves.
- Utiliser des équipements de protection individuelle. Toujours porter une protection oculaire.** L'utilisation d'équipements de protection comme un masque antipoussière, des chaussures antidérapantes, un casque de sécurité ou des protecteurs auditifs lorsque la situation le requiert réduira les risques de blessures corporelles.
- Empêcher les démarrages intempestifs. S'assurer que l'interrupteur se trouve à la position d'arrêt avant de relier l'outil à une source d'alimentation et/ou d'insérer un bloc-piles, de ramasser ou de transporter l'outil.** Transporter un outil électrique alors que le doigt repose sur l'interrupteur ou brancher un outil électrique dont l'interrupteur est à la position de marche risque de provoquer un accident.
- Retirer toute clé de réglage ou clé avant de démarrer l'outil.** Une clé ou une clé de réglage attachée à une partie pivotante de l'outil électrique peut provoquer des blessures corporelles.
- Ne pas trop tendre les bras. Conserver son équilibre en tout temps.** Cela permet de mieux maîtriser l'outil électrique dans les situations imprévues.
- S'habiller de manière appropriée. Ne pas porter de vêtements amples ni de bijoux. Garder les cheveux, les vêtements et les gants à l'écart des pièces mobiles.** Les vêtements amples, les bijoux ou les cheveux longs risquent de rester coincés dans les pièces mobiles.
- Si des composants sont fournis pour le raccordement de dispositifs de dépolluissage et de ramassage, s'assurer que ceux-ci sont bien raccordés et utilisés.** L'utilisation d'un dispositif de dépolluissage peut réduire les dangers engendrés par les poussières.

4) UTILISATION ET ENTRETIEN D'UN OUTIL ÉLECTRIQUE

- Ne pas forcer un outil électrique. Utiliser l'outil électrique approprié à l'application.** L'outil électrique approprié effectuera un meilleur travail, de façon plus sûre et à la vitesse pour laquelle il a été conçu.
- Ne pas utiliser un outil électrique dont l'interrupteur est défectueux.** Tout outil électrique dont l'interrupteur est défectueux est dangereux et doit être réparé.
- Débrancher la fiche de la source d'alimentation et/ou du bloc-piles de l'outil électrique avant de faire tout réglage ou changement d'accessoire ou avant de ranger l'outil.** Ces mesures préventives réduisent les risques de démarrage accidentel de l'outil électrique.
- Ranger les outils électriques hors de la portée des enfants et ne permettre à aucune personne n'étant pas familière avec un outil électrique ou son mode d'emploi d'utiliser cet outil.** Les outils électriques deviennent dangereux entre les mains d'utilisateurs inexpérimentés.
- Entretien des outils électriques. Vérifier si les pièces mobiles sont mal alignées ou coincées, si des pièces sont brisées ou présentent toute autre condition susceptible de nuire au bon fonctionnement de l'outil électrique. En cas de dommage, faire réparer l'outil électrique avant toute nouvelle utilisation.** Beaucoup d'accidents sont causés par des outils électriques mal entretenus.
- S'assurer que les outils de coupe sont aiguisés et propres.** Les outils de coupe bien entretenus et affûtés sont moins susceptibles de se coincer et sont plus faciles à maîtriser.
- Utiliser l'outil électrique, les accessoires, les forets, etc. conformément aux présentes directives en tenant compte des conditions de travail et du travail à effectuer.** L'utilisation d'un outil électrique pour toute opération autre que celle pour laquelle il a été conçu est dangereuse.

5) UTILISATION ET ENTRETIEN DU BLOC-PILES

- Ne recharger l'outil qu'au moyen du chargeur précisé par le fabricant.** L'utilisation d'un chargeur qui convient à un type de bloc-piles risque de provoquer un incendie s'il est utilisé avec un autre type de bloc-piles.
- Utiliser les outils électriques uniquement avec les blocs-piles conçus à cet effet.** L'utilisation de tout autre bloc-piles risque de causer des blessures ou un incendie.
- Lorsque le bloc-piles n'est pas utilisé, le tenir éloigné des objets métalliques, notamment des trombones, de la monnaie, des clés, des clous, des vis ou autres petits objets métalliques qui peuvent établir une connexion entre les deux bornes.** Le court-circuit des bornes du bloc-piles risque de provoquer des brûlures ou un incendie.
- En cas d'utilisation abusive, le liquide peut gicler hors du bloc-piles; éviter tout contact avec ce liquide. Si un contact accidentel se produit, laver à grande eau. Si le liquide entre en contact avec les yeux, obtenir également des soins médicaux.** Le liquide qui gicle hors du bloc-piles peut provoquer des irritations ou des brûlures.

6) RÉPARATION

- Faire réparer l'outil électrique par un réparateur professionnel en n'utilisant que des pièces de rechange identiques.** Cela permettra de maintenir une utilisation sécuritaire de l'outil électrique.

Règles de sécurité additionnelles

▲ AVERTISSEMENT : PORTER SYSTÉMATIQUEMENT DES LUNETTES DE PROTECTION. Les lunettes courantes NE sont PAS des lunettes de protection. Utiliser aussi un masque antipoussières si la découpe doit en produire beaucoup. Porter SYSTÉMATIQUEMENT un équipement de sécurité homologué :

- Protection oculaire ANSI Z87.1 (CAN/CSA Z94.3);
- Protection auditive ANSI S12.6 (S3.19);
- Protection des voies respiratoires NIOSH/OSHA/MSHA.

▲ AVERTISSEMENT : les scies, meules, ponçuses, perceuses ou autres outils de construction peuvent produire des poussières contenant des produits chimiques reconnus par l'État californien pour causer cancers, malformations congénitales ou être nocifs au système reproducteur. Parmi ces produits chimiques, on retrouve :

- Le plomb dans les peintures à base de plomb ;
- La silice cristallisée dans les briques et le ciment, ou autres produits de maçonnerie ; et
- L'arsenic et le chrome dans le bois ayant subi un traitement chimique.

Le risque associé à de telles expositions varie selon la fréquence à laquelle on effectue ces travaux. Pour réduire toute exposition à ces produits : travailler dans un endroit bien aéré, en utilisant du matériel de sécurité homologué, tel un masque antipoussières spécialement conçu pour filtrer les particules microscopiques.

- Limiter toute exposition prolongée avec les poussières provenant du ponçage, sciage, meulage, perçage ou toute autre activité de construction. Porter des vêtements de protection et nettoyer à l'eau savonneuse les parties du corps exposées.** Le fait de laisser la poussière pénétrer dans la bouche, les yeux ou la peau peut favoriser l'absorption de produits chimiques dangereux.

- Ne pas utiliser l'appareil sans le réceptacle à poussières ou le filtre.**

- Ne pas utiliser l'appareil pour aspirer des liquides inflammables ou combustibles, comme l'essence, ou l'utiliser dans des lieux abritant des liquides inflammables ou combustibles.
- Ne pas aspirer des objets incandescents, ou se consumant, comme les cigarettes, les allumettes ou les cendres chaudes.

•**Pour éviter toute combustion spontanée, vider le réceptacle à poussières après chaque utilisation.**

- Ne pas laisser l'extracteur de poussière sans supervision lorsque son bloc-piles est connecté.** Retirer le bloc-piles après utilisation et avant tout entretien.

- Ne pas insérer d'objet dans les ouvertures.** Ne pas l'utiliser si les ouvertures sont bloquées Les maintenir propres et nettes de tout cheveu, toute poussière, peluche, ou toute autre chose pouvant en réduire la circulation d'air.

⚠AVERTISSEMENT : L'utilisation de cet outil peut produire et/ou répandre de la poussière susceptible de causer des dommages sérieux et permanents au système respiratoire, ou autres dommages corporels Bien que le matériau du filtre retire entre 99,97 % des particules de l'air de 0,3 micron ou plus, il se pourra que le système d'extraction des poussières ne capture pas l'ensemble de la poussière générée par les opérations de perçage Utiliser systématiquement un appareil de protection des voies respiratoires homologué par NIOSH ou OSHA Diriger les particules dans le sens opposé au visage et au corps.

⚠AVERTISSEMENT : porter systématiquement une protection auditive individuelle appropriée. Sous certaines conditions et suivant la durée d'utilisation, le bruit émanant de ce produit pourrait contribuer à une perte de l'acuité auditive.

DESCRIPTION (FIG. 1)

⚠AVERTISSEMENT : ne jamais modifier l'outil électrique ni aucun de ses composants, car il y a risques de dommages corporels ou matériels.

- | | |
|---|--|
| A. Système de dépeussièrement | J. Poignée latérale |
| B. Boutons de libération de la base | K. Rainure du support de la poignée latérale |
| C. Réceptacle à poussières | L. Centreur du support de la poignée latérale |
| D. Boutons de libération du réceptacle à poussières | M. Connecteurs électriques de l'extracteur de poussière |
| E. Tuyau télescopique | N. Connecteurs électriques du marteau rotatif |
| F. Bouton de réglage de profondeur | O. Dispositif du filtre du réceptacle à poussières |
| G. Bouton de réglage de longueur | P. Verrou du dispositif du filtre du réceptacle à poussières |
| H. Tête de dépeussièrement | |
| I. Brosse de dépeussièrement | |

USAGE PRÉVU

Votre système de dépeussièrement D25303DH a été conçu pour extraire les poussières produites lors du martelage-perforage professionnel de la maçonnerie ou du béton, alors que l'outil électrique est muni d'un trépan plein. NE PAS utiliser cet outil pour percer le plastique, le bois, ou le métal.

Ce système de dépeussièrement fonctionnera sur les marteaux DEWALT de 20 V Max, sans fil, SDS Plus^{MD}, modèles DCH253, DCH254 (TYPE 2 seulement), DCH273 et DCH274.

⚠AVERTISSEMENT : NE PAS utiliser cet outil pour percer le plastique, le bois, ou le métal.

Les outils électriques recommandés pour être utilisés avec cet accessoire sont vendus séparément auprès de votre distributeur local ou dans les centres de réparation agréés. Si vous avez besoin d'aide pour localiser ces outils électriques, veuillez contacter DEWALT Industrial Tool Co., 701 East Joppa Road, Baltimore, MD 21286, ou appeler 1-800-4-DEWALT (1-800-433-9258) ou vous rendre sur notre site www.dewalt.com.

NE PAS les utiliser en milieu ambiant humide ou en présence de liquides ou de gaz inflammables. Ce système de dépeussièrement est un accessoire conçu pour être utilisé avec des outils électriques professionnels.

NE PAS le laisser à la portée des enfants. Une supervision est nécessaire auprès de tout utilisateur non expérimenté.

MONTAGE

⚠AVERTISSEMENT : arrêter et débrancher SYSTÉMATIQUEMENT l'outil avant tout réglage ou avant de retirer ou installer toute pièce ou tout accessoire. Ces mesures préventives de sécurité réduisent les risques de démarrage accidentel de l'outil.

Installation et retrait du système de dépeussièrement

INSTALLATION DU SYSTÈME DE DÉPOUSSIÉRAGE (FIG. 1 À 3, 6)

⚠AVERTISSEMENT : pour réduire tout risque de dommages corporels, utiliser SYSTÉMATIQUEMENT l'outil avec sa poignée latérale installée correctement et solidement arrimée. Tout manquement à cette directive pourrait faire que la poignée latérale glisse pendant l'utilisation de l'outil et entraîner la perte du contrôle de celui-ci. Maintenir l'outil fermement à deux mains pour un contrôle optimal.

- Retirez la mèche, la poignée latérale et la tige de réglage de profondeur, si rattachées au marteau rotatif.
- Rattachez la poignée latérale (J) fournie au marteau.
- Assurez-vous que les boutons de libération de la base sont appuyés et verrouillés dans la position ouverte avant d'installer le système de dépeussièrement sur le marteau rotatif.
- Insérez le marteau dans l'extracteur, en vous assurant que les deux connecteurs électriques, la rainure du support de la poignée latérale et le centreur sont alignés. Les boutons de libération de la base s'encliquèteront dans la position fermée lorsque le marteau sera correctement emboîté dans l'extracteur.

RETRAIT DU SYSTÈME DE DÉPOUSSIÉRAGE (FIG. 1, 2, 4)

Pour retirer le système de dépeussièrement, appuyez sur les deux boutons de libération (B) de la base de l'extracteur et retirez le marteau rotatif du système de dépeussièrement.

UTILISATION

⚠AVERTISSEMENT : arrêter et débrancher SYSTÉMATIQUEMENT l'outil avant tout réglage ou avant de retirer ou installer toute pièce ou tout accessoire. Ces mesures préventives de sécurité réduisent les risques de démarrage accidentel de l'outil.

⚠AVERTISSEMENT : pour votre sécurité, lire le manuel de l'utilisateur respectif à l'outil avant l'utilisation de tout accessoire. Tout manquement à ces avertissements augmente les risques de blessures, et les risques d'endommager sérieusement l'appareil et ses accessoires. Lors de l'entretien de cet outil, n'utiliser que des pièces de rechange identiques.

⚠AVERTISSEMENT : ne pas utiliser l'outil sans son filtre.

Interrupteur

Le système de dépeussièrement démarre automatiquement lorsque le marteau rotatif est mis en marche.

Arrêt électronique à retardement

Après l'arrêt du marteau rotatif, le système de dépeussièrement continuera de fonctionner quelques secondes pour aspirer complètement toutes les particules de poussières restant dans les pièces internes du système pour les collecter dans le réceptacle à poussières.

Réglage de la profondeur de perçage (Fig. 8)

Appuyez sur le bouton de réglage de profondeur () sur le dessus de la glissière avant et ajustez-le sur la profondeur de perçage désirée. Relâchez le bouton.

Réglage de la longueur de perçage (Fig. 1)

- Insérez la mèche appropriée. La tête de l'extracteur de poussière a été conçue pour des diamètres de mèches allant jusqu'à 5/8 po.
- Maintenez la tête de dépeussièrement (H) contre un mur.

- Poussez sur l'outil de façon à ce que la mèche soit en contact avec la surface.

- Appuyez sur le bouton de réglage de longueur (G) sur le dessus de la glissière arrière et déplacez-le sur la longueur désirée. Relâchez le bouton.

- Retirez lentement le dispositif de l'outil du mur, en prenant soin à ce que le mécanisme à ressort ne soit pas libéré.

Vidange du réceptacle à poussières (Fig. 4, 5)

⚠AVERTISSEMENT : porter SYSTÉMATIQUEMENT une protection oculaire (CAN/CSA Z94.3). Tout utilisateur ou individu présent doit porter une protection oculaire homologuée ANSI Z87.1.

⚠AVERTISSEMENT : porter SYSTÉMATIQUEMENT une protection des voies respiratoires NIOSH/OSHA/MSHA pour effectuer cette procédure.

MISE EN GARDE : ne pas nettoyer avec de l'eau ou de l'air comprimé.

Le réceptacle à poussières (C) devrait être vidé dès que les performances de l'appareil diminuent sensiblement.

- Appuyez sur les boutons de libération du réceptacle à poussières (D) puis tirez le réceptacle hors du système de dépeussièrement. Une fois passé le mécanisme de retenue du système de dépeussièrement, l'articulation supérieure se relâchera, laissant ainsi la possibilité de retirer complètement le réceptacle à poussières.
- Pour vider le réceptacle à poussières (C), placez-le au-dessus d'un réceptacle approprié pour y vider la poussière qu'il contient. Soulevez le verrou du dispositif du filtre (P) pour ouvrir le réceptacle à poussières, pour séparer le caisson du couvercle. Tapotez légèrement le réceptacle à poussières pour éliminer aussi toute poussière agglomérée sur le filtre. Une fois le couvercle du filtre et le réceptacle vidés, rattachez-les, en vous assurant que le verrou du dispositif du filtre (P) est soigneusement verrouillé. Reportez-vous en figure 5.
- Pour rattacher le réceptacle à poussières au système de dépeussièrement, insérez d'abord le profilé arrondi de l'articulation supérieure dans la niche du système de dépeussièrement. Orientez le réceptacle à poussières vers le bas pour que les boutons de libération s'encliquettent en place. Reportez-vous en figure 4.

MAINTENANCE

⚠AVERTISSEMENT : arrêter et débrancher SYSTÉMATIQUEMENT l'outil avant tout réglage ou avant de retirer ou installer toute pièce ou tout accessoire. Ces mesures préventives de sécurité réduisent les risques de démarrage accidentel de l'outil.

Ce système de dépeussièrement a été conçu pour fonctionner longtemps avec un minimum d'entretien. Le fonctionnement continu et satisfaisant de l'outil dépend d'une maintenance adéquate et d'un entretien régulier. Vider périodiquement l'extracteur de poussière ou lorsque ses performances diminuent sensiblement.

Remplacement du dispositif du filtre du réceptacle à poussières (Fig. 4, 5)

⚠AVERTISSEMENT : porter une protection oculaire et une protection des voies respiratoires homologuées pour effectuer cette procédure.

REMARQUE : le filtre devrait être remplacé tous les 100 à 120 cycles d'utilisation.

- Appuyez sur les boutons de libération du réceptacle à poussières (D) puis tirez le réceptacle hors du système de dépeussièrement. Une fois passé le mécanisme de retenue du système de dépeussièrement, l'articulation supérieure se relâchera, laissant ainsi la possibilité de retirer complètement le réceptacle à poussières.
- Soulevez le verrou du dispositif (P) pour ouvrir le réceptacle à poussières, et séparez le caisson du dispositif.
- Jetez le dispositif du filtre (O) du réceptacle à poussières et remplacez-le par une pièce agréée DEWALT.
- Pour rattacher le réceptacle à poussières au système de dépeussièrement, insérez d'abord le profilé arrondi de l'articulation supérieure dans la niche du système de dépeussièrement. Orientez le réceptacle à poussières vers le bas pour que les boutons de libération s'encliquettent en place.

Remplacement de la brosse de dépeussièrement (Fig. 10)

⚠AVERTISSEMENT : porter SYSTÉMATIQUEMENT une protection oculaire (CAN/CSA Z94.3). Tout utilisateur ou individu présent doit porter une protection oculaire homologuée ANSI Z87.1.

⚠AVERTISSEMENT : cet outil peut produire et/ou répandre de la poussière susceptible de causer des dommages sérieux et permanents au système respiratoire. Utiliser systématiquement un appareil de protection des voies respiratoires homologué par le NIOSH ou l'OSHA.

La brosse de dépeussièrement s'usera à la longue et devra être remplacée.

- Appuyez sur le clip (S) à l'arrière de la tête de dépeussièrement, et retirez-la de son socle.
- Utilisez un tournevis pour retirer la brosse de dépeussièrement (I) de la tête de dépeussièrement.
- Remplacez la brosse de dépeussièrement par une nouvelle.
- Assurez-vous que l'ouverture de la brosse de dépeussièrement est positionnée sur la poche centrale de la tête de dépeussièrement.
- Repoussez la tête de dépeussièrement dans son socle. Le goujon de centrage s'encastrera dans l'ouverture de la brosse de dépeussièrement et l'arrimera en place.

Entretien

⚠AVERTISSEMENT : ne pas utiliser de brosse pour nettoyer le système de dépeussièrement ou le filtre.

⚠AVERTISSEMENT : expulser tout débris ou poussière des orifices d'aération à l'aide d'un jet d'air sec au moins une fois par semaine. Pour réduire tout risque de lésions oculaires, porter systématiquement une protection oculaire homologuée ANSI Z87.1 pour effectuer tout entretien.

⚠AVERTISSEMENT : ne jamais utiliser de solvants ou tout autre produit chimique décapant pour nettoyer les parties non métalliques de l'outil. Ces produits chimiques pourraient attaquer les matériaux plastiques utilisés. Utiliser un chiffon humide et un savon doux. S'assurer qu'aucun liquide ne pénètre dans l'outil ; ne jamais immerger aucune partie de l'outil dans un liquide.

En cas d'utilisation intensive, le système de dépeussièrement pourra être bouché par la poussière. Reportez-vous à la section **Remplacement du dispositif du filtre du réceptacle à poussières** sous UTILISATION.

Accessoires

⚠AVERTISSEMENT : comme les accessoires autres que ceux offerts par DEWALT n'ont pas été testés avec ce produit, leur utilisation avec cet appareil pourrait comporter un danger. Pour réduire tout risque de dommages corporels, seuls des accessoires DEWALT recommandés doivent être utilisés avec cet appareil.

Pour toute assistance, veuillez contacter DEWALT Industrial Tool Co., 701 East Joppa Road, Baltimore, MD 21286, ou appeler 1-800-4-DEWALT (1-800-433-9258) ou vous rendre sur notre site www.dewalt.com.

Réparations

Pour assurer la SÉCURITÉ et la FIABILITÉ du produit, les réparations, l'entretien et les réglages doivent être réalisés (cela comprend l'inspection et le remplacement du balai) par un centre de réparation en usine DEWALT, un centre de réparation agréé DEWALT. Toujours utiliser des pièces de rechange identiques.

Garantie limitée trois ans

DEWALT réparera gratuitement tous les problèmes dus à des défauts de matériau ou de fabrication pendant trois ans à compter de la date d'achat. Cette garantie ne couvre pas des défaillances de pièce dues à une usure normale ou à une mauvaise utilisation de l'outil. Pour plus de détails relatifs à la couverture de la garantie et aux réparations sous garantie, visiter le site Web www.dewalt.com ou composer le 1-800-4-DEWALT (1-800-433-9258). Cette garantie ne s'applique pas aux accessoires ni aux dommages causés par des réparations réalisées ou tentées par des tiers. Cette garantie vous accorde des droits légaux spécifiques et il est possible que vous ayez d'autres droits qui varient d'un État ou d'une province à l'autre.

En plus de la garantie, les outils DEWALT sont couverts par notre :

SERVICE D'ENTRETIEN GRATUIT DE 1 AN

DEWALT entretiendra l'outil et remplacera les pièces usées par une utilisation normale et ce, gratuitement, à tout instant pendant la première année à compter de la date d'achat.

GARANTIE DE REMBOURSEMENT DE 90 JOURS

Si vous n'êtes pas entièrement satisfait des performances de votre outil électrique, laser ou de votre cloueuse DEWALT pour quelque raison que ce soit, vous pouvez le retourner accompagné d'un reçu dans les 90 jours suivant la date d'achat et nous vous rembourserons entièrement – sans poser de questions.

AMÉRIQUE LATINE : cette garantie ne s'applique pas aux produits vendus en Amérique latine. Pour ceux-ci, veuillez consulter les informations relatives à la garantie spécifique présente dans l'emballage, appeler l'entreprise locale ou consulter le site Web pour les informations relatives à cette garantie.

REPLACEMENT GRATUIT DES ÉTIQUETTES D'AVERTISSEMENT : si les étiquettes d'avertissement deviennent illisibles ou sont manquantes, composer le 1-800-4-DEWALT (1-800-433-9258) pour en obtenir le remplacement gratuit.



Definiciones: Normas de Seguridad

Las siguientes definiciones describen el nivel de gravedad de cada palabra de señal. Lea el manual y preste atención a estos símbolos.

▲ PELIGRO: indica una situación de peligro inminente que, si no se evita, provocará la muerte o lesiones graves.

▲ ADVERTENCIA: indica una situación de peligro potencial que, si no se evita, podría provocar la muerte o lesiones graves.

▲ ATENCIÓN: indica una situación de peligro potencial que, si no se evita, posiblemente provocaría lesiones leves o moderadas.

AVISO: se refiere a una práctica no relacionada a lesiones corporales que de no evitarse puede resultar en daños a la propiedad.

SI TIENE ALGUNA DUDA O COMENTARIO ACERCA DE ÉSTA U OTRA HERRAMIENTA DEWALT, LLÁMENOS AL NÚMERO GRATUITO: 1-800-4-DEWALT (1-800-433-9258).



ADVERTENCIA: Para reducir el riesgo de lesión, lea cuidadosamente la totalidad de este manual antes de operar el aditamento. También refiérase al manual de cualquier herramienta eléctrica que será utilizada con este aditamento.

Advertencias generales de seguridad para herramientas eléctricas



ADVERTENCIA! Lea todas las advertencias de seguridad y todas las instrucciones. El incumplimiento de las advertencias e instrucciones de este accesorio y la herramienta eléctrica podría provocar una descarga eléctrica, un incendio y/o lesiones graves.

CONSERVE TODAS LAS ADVERTENCIAS E INSTRUCCIONES PARA FUTURAS CONSULTAS

El término "herramienta eléctrica" incluido en las advertencias hace referencia a las herramientas eléctricas operadas con corriente (con cable eléctrico) o a las herramientas eléctricas operadas con baterías (inalámbricas).

1) SEGURIDAD EN EL ÁREA DE TRABAJO

- Mantenga el área de trabajo limpia y bien iluminada.** Las áreas abarrotadas y oscuras propician accidentes.
- No opere las herramientas eléctricas en atmósferas explosivas, como ambientes donde haya polvo, gases o líquidos inflamables.** Las herramientas eléctricas originan chispas que pueden encender el polvo o los vapores.
- Mantenga alejados a los niños y a los espectadores de la herramienta eléctrica en funcionamiento.** Las distracciones pueden provocar la pérdida de control.

2) SEGURIDAD ELÉCTRICA

- Los enchufes de la herramienta eléctrica deben adaptarse al tomacorriente. Nunca modifique el enchufe de ninguna manera. No utilice ningún enchufe adaptador con herramientas eléctricas con conexión a tierra.** Los enchufes no modificados y que se adaptan a los tomacorrientes reducirán el riesgo de descarga eléctrica.
- Evite el contacto corporal con superficies con descargas a tierra como, por ejemplo, tuberías, radiadores, cocinas eléctricas y refrigeradores.** Existe mayor riesgo de descarga eléctrica si su cuerpo está puesto a tierra.
- No exponga las herramientas eléctricas a la lluvia o a condiciones de humedad.** Si entra agua a una herramienta eléctrica, aumentará el riesgo de descarga eléctrica.
- No maltrate el cable. Nunca utilice el cable para transportar, tirar o desenchufar la herramienta eléctrica. Mantenga el cable alejado del calor, el aceite, los bordes filosos y las piezas móviles.** Los cables dañados o enredados aumentan el riesgo de descarga eléctrica.
- Al operar una herramienta eléctrica en el exterior, utilice un cable prolongador adecuado para tal uso.** Utilice un cable adecuado para uso en exteriores a fin de reducir el riesgo de descarga eléctrica.
- Si el uso de una herramienta eléctrica en un lugar húmedo es imposible de evitar, utilice un suministro protegido con un interruptor de circuito por falla a tierra (GFCI).** El uso de un GFCI reduce el riesgo de descargas eléctricas.

3) SEGURIDAD PERSONAL

- Permanezca alerta, controle lo que está haciendo y utilice el sentido común cuando emplee una herramienta eléctrica. No utilice una herramienta eléctrica si está cansado o bajo el efecto de drogas, alcohol o medicamentos.** Un momento de descuido mientras se opera una herramienta eléctrica puede provocar lesiones personales graves.
- Utilice equipos de protección personal. Siempre utilice protección para los ojos.** En las condiciones adecuadas, el uso de equipos de protección, como máscaras para polvo, calzado de seguridad antideslizante, cascos o protección auditiva, reducirá las lesiones personales.
- Evite el encendido por accidente. Asegúrese de que el interruptor esté en la posición de apagado antes de conectarlo a la fuente de energía o paquete de baterías, o antes de levantar o transportar la herramienta.** Transportar herramientas eléctricas con el dedo apoyado en el interruptor o enchufar herramientas eléctricas con el interruptor en la posición de encendido puede propiciar accidentes.
- Retire la clavija de ajuste o la llave de tuercas antes de encender la herramienta eléctrica.** Una llave de tuercas o una clavija de ajuste que quede conectada a una pieza giratoria de la herramienta eléctrica puede provocar lesiones personales.
- No se estire. Conserve el equilibrio y párese adecuadamente en todo momento.** Esto permite un mejor control de la herramienta eléctrica en situaciones inesperadas.
- Use la vestimenta adecuada. No use ropas holgadas ni joyas. Mantenga el cabello, la ropa y los guantes alejados de las piezas en movimiento.** Las ropas holgadas, las joyas o el cabello largo pueden quedar atrapados en las piezas en movimiento.
- Si se suministran dispositivos para la conexión de accesorios con fines de recolección y extracción de polvo, asegúrese de que estén conectados y que se utilicen correctamente.** El uso de dispositivos de recolección de polvo puede reducir los peligros relacionados con el polvo.

4) USO Y MANTENIMIENTO DE LA HERRAMIENTA ELÉCTRICA

- No fuerce la herramienta eléctrica. Utilice la herramienta eléctrica correcta para el trabajo que realizará.** Si se la utiliza a la velocidad para la que fue diseñada, la herramienta eléctrica correcta permite trabajar mejor y de manera más segura.
- No utilice la herramienta eléctrica si no puede encenderla o apagarla con el interruptor.** Toda herramienta eléctrica que no pueda ser controlada mediante el interruptor es peligrosa y debe repararse.
- Desconecte el enchufe de la fuente de energía o el paquete de baterías de la herramienta eléctrica antes de realizar ajustes, cambiar accesorios o almacenar la herramienta eléctrica.** Estas medidas de seguridad preventivas reducen el riesgo de encender la herramienta eléctrica en forma accidental.
- Guarde la herramienta eléctrica que no esté en uso fuera del alcance de los niños y no permita que otras personas no familiarizadas con ella o con estas instrucciones operen la herramienta.** Las herramientas eléctricas son peligrosas si son operadas por usuarios no capacitados.
- Realice el mantenimiento de las herramientas eléctricas. Revise que no haya piezas en movimiento mal alineadas o trabadas, piezas rotas o cualquier otra situación que pueda afectar el funcionamiento de la herramienta eléctrica. Si encuentra daños, haga reparar la herramienta eléctrica antes de utilizarla.** Se producen muchos accidentes a causa de las herramientas eléctricas que carecen de un mantenimiento adecuado.
- Mantenga las herramientas de corte afiladas y limpias.** Las herramientas de corte con mantenimiento adecuado y con los bordes de corte afilados son menos propensas a trabarse y son más fáciles de controlar.
- Utilice la herramienta eléctrica, los accesorios y las brocas de la herramienta, etc. de acuerdo con estas instrucciones y teniendo en cuenta las condiciones de trabajo y el trabajo que debe realizarse.** El uso de la herramienta eléctrica para operaciones diferentes de aquéllas para las que fue diseñada podría originar una situación peligrosa.

5) USO Y MANTENIMIENTO DE LA HERRAMIENTA CON BATERÍAS

- Recargue solamente con el cargador especificado por el fabricante.** Un cargador adecuado para un tipo de paquete de baterías puede originar riesgo de incendio si se utiliza con otro paquete de baterías.
- Utilice herramientas eléctricas sólo con paquetes de baterías específicamente diseñados.** El uso de cualquier otro paquete de baterías puede producir riesgo de incendio y lesiones.
- Cuando no utilice el paquete de baterías, manténgalo lejos de otros objetos metálicos como sujetapapeles, monedas, llaves, clavos, tornillos u otros objetos metálicos pequeños que puedan realizar una conexión desde un terminal al otro.** Los cortocircuitos en los terminales de la batería pueden provocar quemaduras o incendio.
- En condiciones abusivas, el líquido puede ser expulsado de la batería. Evite su contacto. Si entra en contacto accidentalmente, enjuague con agua. Si el líquido entra en contacto con los ojos, busque atención médica.** El líquido expulsado de la batería puede provocar irritación o quemaduras.

6) MANTENIMIENTO

- Solicite a una persona calificada en reparaciones que realice el mantenimiento de su herramienta eléctrica y que sólo utilice piezas de repuesto idénticas.** Esto garantizará la seguridad de la herramienta eléctrica.

Reglas de seguridad adicionales

▲ ADVERTENCIA: USE SIEMPRE LENTES DE SEGURIDAD. Los anteojos de diario NO SON lentes de seguridad. Utilice además una cubrebocas o mascarilla antipolvo si la operación de corte genera demasiado polvo. SIEMPRE lleve equipo de seguridad certificado:

- Protección ocular ANSI Z87.1 (CAN/CSA Z94.3).
- Protección auditiva ANSI S12.6 (S3.19)
- Protección respiratoria NIOSH/OSHA.

▲ ADVERTENCIA: Algunas partículas de polvo generadas al lijar, serrar, esmerilar y taladrar con herramientas eléctricas, así como al realizar otras actividades de construcción, contienen químicos que el Estado de California sabe que pueden producir cáncer, defectos congénitos u otras afecciones reproductivas. Ejemplos de estos químicos son:

- plomo de algunas pinturas en base a plomo,
- polvo de sílice proveniente de ladrillos y cemento y otros productos de albañilería, y
- arsénico y cromo provenientes de madera tratada químicamente.

Su riesgo de exposición a estos químicos varía, dependiendo de la frecuencia con la cual realiza usted este tipo de trabajo. Para reducir su exposición a estas sustancias químicas: trabaje en una zona bien ventilada y llevando equipos de seguridad aprobados, como mascarillas antipolvo especialmente diseñadas para filtrar partículas microscópicas.

- Evite el contacto prolongado con polvo generado por el lijado, aserrado, pulido, taladrado y otras actividades de construcción. Vista ropas protectoras y lave las áreas de la piel expuestas con agua y jabón.** Si permite que el polvo se introduzca en la boca u ojos o quede sobre la piel, puede favorecer la absorción de productos químicos peligrosos.
- No lo use sin la cámara de recolección de polvo y/o el filtro en su sitio.**
- No use el aparato para recoger líquidos inflamables o combustibles, como gasolina, ni lo use en lugares donde haya líquidos inflamables o combustibles.
- No recoja nada que se esté quemando o que esté humeando, como cigarrillos, fósforos o cenizas calientes.
- Para evitar una combustión espontánea, vacíe la cámara de recolección de polvo después de cada uso.**
- No deje el extractor de polvo desatendido cuando la batería esté instalada.** Saque la batería cuando no esté utilizando el aparato y antes de realizar mantenimiento o reparaciones.
- No coloque ningún objeto en las aberturas.** No utilice este aparato si tiene alguna abertura bloqueada; manténgalo sin polvo, pelusa, pelo o cualquier otra cosa que pueda reducir el flujo de aire.

▲ ADVERTENCIA: El uso de esta herramienta puede generar o dispersar polvo, que puede ocasionar lesiones respiratorias graves y permanentes u otras lesiones. Aunque el material del filtro elimina el 99.97% de partículas en el aire de 0.3 micrones o mayores, el sistema de extracción de polvo quizás no capte todo el polvo creado por la operación de perforación. Utilice siempre protección respiratoria aprobada por NIOSH/OSHA apropiada para la exposición al polvo. Dirija las partículas en dirección contraria a la cara y el cuerpo.

▲ ADVERTENCIA: Utilice siempre protección auditiva personal apropiada. Bajo algunas condiciones y duraciones de uso, el ruido producido por este producto puede contribuir a la pérdida auditiva.

COMPONENTES (FIG. 1)

▲ ADVERTENCIA: Nunca modifique la herramienta eléctrica, ni tampoco ninguna de sus piezas. Podría producir lesiones corporales.

- | | |
|---|--|
| A. Sistema de extracción de polvo | J. Mango lateral |
| B. Botones de liberación de la base | K. Ranura de apoyo para mango lateral |
| C. Cámara de recolección de polvo | L. Localizador de apoyo para mango lateral |
| D. Botones de liberación de la cámara de recolección de polvo | M. Conectores eléctricos del extractor de polvo |
| E. Telescopio | N. Conectores eléctricos del rotomartillo |
| F. Botón de ajuste de profundidad | O. Unidad de filtro de la cámara de recolección de polvo |
| G. Botón de ajuste de longitud | P. Pasador de la unidad de filtro de la cámara de recolección de polvo |
| H. Cabezal de extracción de polvo | |
| I. Escobilla para polvo | |

USO DEBIDO

Su sistema de extracción de polvo D25303DH ha sido diseñado para la extracción de polvo en operaciones profesionales de taladrado de percusión en mampostería o concreto, y con brocas para taladrar sólidas montadas en la herramienta eléctrica. NO lo use para taladrar plástico, madera o metal.

Este sistema de extracción de polvo se adapta a los martillos inalámbricos de 20V Máx. DCH253, DCH254 (sólo TIPO 2), DCH273 y DCH274 SDS Plus® de DEWALT.

▲ ADVERTENCIA: NO la utilice para taladrar plástico, madera o metal.

Las herramientas eléctricas a ser utilizadas con este aditamento están disponibles con un cargo adicional en su distribuidor local o en el centro de servicio autorizado. Si necesita ayuda para ubicar alguna herramienta eléctrica, por favor póngase en contacto con DEWALT Industrial Tool Co., 701 East Joppa Road, Baltimore, MD 21286, llame al 1-800-4-DEWALT (1-800-433-9258) o visite nuestro sitio web www.dewalt.com.

NO utilice la herramienta en condiciones húmedas o en la presencia de líquidos o gases inflamables.

El sistema de extracción de polvo es un aditamento a ser utilizado con herramientas eléctricas profesionales.

NO permita que los niños toquen la herramienta. Si el operador no tiene experiencia operando esta herramienta, su uso deberá ser supervisado.

MONTAJE

⚠ ADVERTENCIA: SIEMPRE apague la herramienta y desconéctela de la fuente de alimentación antes de realizar cualesquier ajustes o quitar o instalar aditamentos o accesorios. Estas medidas de seguridad preventiva reducen el riesgo de poner en marcha la herramienta accidentalmente.

Cómo poner y sacar el sistema de extracción de polvo

PARA ADOSAR EL SISTEMA DE EXTRACCIÓN DE POLVO (FIG. 1–3, 6)

⚠ ADVERTENCIA: Para reducir el riesgo de lesiones corporales, SIEMPRE opere la herramienta con el mango lateral debidamente instalado y ajustado. El incumplimiento con lo anterior podría resultar en que el mango lateral se suelte durante la operación de la herramienta y que el operador pierda el control como consecuencia. Sostenga la herramienta con ambas manos para maximizar control.

- Saque la broca, el mango lateral y la barra de ajuste de profundidad, si están fijados al rotomartillo.
- Fije el mango lateral suministrado (J) al martillo.
- Asegúrese de que los botones de liberación estén apretados y bloqueados en la posición abierta antes de intentar instalar el sistema de extracción de polvo en el rotomartillo.
- Inserte el martillo en el extractor, asegurándose de que los conectores eléctricos y la ranura y el localizador de apoyo del mango lateral estén alineados. Los botones de liberación de la base quedarán en posición cerrada haciendo clic cuando el martillo esté asentado bien en el extractor.

CÓMO RETIRAR EL SISTEMA DE EXTRACCIÓN DE POLVO (FIG. 2)

Para retirar el sistema de extracción de polvo, presione los dos botones de liberación de la base del extractor (B) y levante el rotomartillo del sistema de extracción de polvo.

FUNCIONAMIENTO

⚠ ADVERTENCIA: SIEMPRE apague la herramienta y desconéctela de la fuente de alimentación antes de realizar cualesquier ajustes o quitar o instalar aditamentos o accesorios. Estas medidas de seguridad preventiva reducen el riesgo de poner en marcha la herramienta accidentalmente.

⚠ ADVERTENCIA: Para su seguridad, lea el manual de instrucciones antes de utilizar cualquier accesorio. De no seguir estas advertencias podrían producirse lesiones corporales y graves daños a la herramienta y al accesorio. Cuando realice el mantenimiento de esta herramienta, utilice únicamente repuestos idénticos.

⚠ ADVERTENCIA: No use la herramienta sin el filtro en su sitio.

Interruptor

El sistema de extracción se pone en marcha automáticamente cuando se enciende el rotomartillo.

Retraso electrónico de apagado

Después de apagar el rotomartillo, el sistema de extracción seguirá funcionando durante unos segundos más para aspirar las partículas de polvo que hayan quedado en las piezas internas y recolectar el polvo en la cámara de recolección de polvo.

Fijación de la profundidad del taladrado (Fig. 8)

Presione el botón de ajuste de profundidad (F) en la parte superior del deslizador frontal y muévelo hasta la profundidad de taladrado deseada. Suelte el botón.

Ajuste de la longitud del taladrado (Fig. 1)

- Introduzca la broca adecuada. El cabezal del extractor de polvo está diseñado para brocas de hasta 5/8" de diámetro.
- Sostenga el cabezal de extracción de polvo (H) contra la pared.
- Empuje la herramienta para que la broca toque la superficie.
- Presione el botón de ajuste de longitud (G) en la parte superior del deslizador trasero y muévelo hasta la longitud deseada. Suelte el botón.
- Retire con suavidad la unidad de la herramienta de la pared, procurando que el mecanismo de resorte no se libere.

Vaciado de la cámara de recolección de polvo (Fig. 4, 5)

⚠ ADVERTENCIA: SIEMPRE utilice protección ocular (CAN/CSA Z94.3). Todos los usuarios y personas circunstantes deben llevar protección ocular en conformidad con ANSI Z87.1.

⚠ ADVERTENCIA: SIEMPRE lleve protección respiratoria NIOSH/OSHA/MSHA debida cuando haga esto.

ATENCIÓN: No limpiar con agua o aire comprimido.

La cámara de recolección de polvo (C) debería vaciarse tan pronto como note que el desempeño ha disminuido.

- Presione los botones de liberación de la cámara de recolección de polvo (D) y sáquela del sistema de extracción de polvo. Una vez que el mecanismo de recolección esté retirado del sistema de extracción de polvo, la junta superior también se liberará permitiendo que la cámara de recolección de polvo se saque por completo.
- Para vaciar la cámara de recolección de polvo (C) colóquela por encima de un recipiente adecuado donde verter el polvo contenido en la misma. Levante el seguro de liberación de la unidad (P) para abrir la cámara de recolección de polvo, separando el recipiente de la tapa. El darle golpecitos suaves a la cámara de recolección de polvo ayudará a retirar el polvo atrapado dentro del filtro. Una vez que estén vacíos la tapa del filtro y el recipiente, vuelva a fijarlos, asegurándose de que el seguro de liberación de la unidad (P) esté bien fijado. Consulte la Figura 5.
- Para volver a fijar la cámara de recolección de polvo al sistema de extracción de polvo, inserte primero el perfil redondo de la junta superior en la hendidura del sistema de extracción de polvo. Mueva la cámara de recolección de polvo hacia abajo para que los botones de liberación vuelvan a colocarse en su sitio haciendo clic. Consulte la Figura 4.

MANTENIMIENTO

⚠ ADVERTENCIA: SIEMPRE apague la herramienta y desconéctela de la fuente de alimentación antes de realizar cualesquier ajustes o quitar o instalar aditamentos o accesorios. Estas medidas de seguridad preventiva reducen el riesgo de poner en marcha la herramienta accidentalmente.

Su colector de polvo ha sido diseñado para operar durante un período largo de tiempo necesitando un mínimo de mantenimiento. Su operación continuamente satisfactoria depende del cuidado apropiado de la herramienta y regularidad de limpieza. Vacíe el extractor de polvo periódicamente o cuando note que su desempeño ha disminuido.

Cambio de la unidad del filtro de la cámara de recolección de polvo (fig. 4,5)

⚠ ADVERTENCIA: Cuando lleve a cabo este procedimiento póngase una protección ocular aprobada y una mascarilla antipolvo aprobada.

NOTA: El filtro debe cambiarse cada 100 a 120 ciclos de uso.

- Presione los botones de liberación de la cámara de recolección de polvo (D) y sáquela del sistema de extracción de polvo. Una vez que el mecanismo de recolección esté retirado del sistema de extracción de polvo, la junta superior también se liberará permitiendo que la cámara de recolección de polvo se saque por completo.
- Levante el seguro de liberación (P) para abrir la cámara de recolección de polvo, separando la cámara de la unidad.

3. Descarte la unidad de filtro de la cámara de recolección de polvo (O) cámbiela por un repuesto DEWALT aprobado.

4. Vuelva a fijar la cámara de recolección de polvo al sistema de extracción de polvo, insertando primero el perfil redondo de la junta superior en la hendidura del sistema de extracción de polvo. Mueva la cámara de recolección de polvo hacia abajo para que los botones de liberación vuelvan a colocarse en su sitio haciendo clic.

Cambio de la escobilla para polvo (Fig. 10)

⚠ ADVERTENCIA: SIEMPRE utilice protección ocular (CAN/CSA Z94.3). Todos los usuarios y personas circunstantes deben llevar protección ocular en conformidad con ANSI Z87.1.

⚠ ADVERTENCIA: La utilización de esta herramienta puede generar polvo o dispersarlo, lo que podría causar daños graves y permanentes al sistema respiratorio, así como otras lesiones. Siempre use protección respiratoria aprobada por NIOSH (Instituto Nacional de Seguridad y Salud en el Trabajo) u OSHA (Administración de Seguridad y Salud en el Trabajo) apropiada para la exposición al polvo.

La escobilla para polvo se desgastará durante el uso y tendrá que ser cambiada.

- Empuje el botón de encaje a presión (S) en la parte trasera del cabezal de extracción y sáquelo del soporte del cabezal.
- Use un destornillador para sacar la escobilla para polvo (I) del cabezal de extracción.
- Cambie la escobilla para polvo por una nueva.
- Asegúrese de que el extremo abierto de la escobilla para polvo esté colocado sobre el orificio de centrado en el cabezal de extracción.
- Empuje hacia atrás el cabezal de extracción dentro del soporte del cabezal. El pasador de centrado se pegará al extremo abierto de la escobilla para polvo y la asegurará en su sitio.

Limpieza

⚠ ADVERTENCIA: No utilice un cepillo para limpiar el colector de polvo o el filtro.

⚠ ADVERTENCIA: Limpie la suciedad y el polvo de las rejillas de ventilación con aire seco y limpio al menos una vez por semana. Para minimizar el riesgo de lesiones oculares siempre lleve la debida protección ocular ANSI Z87.1 cuando haga esto.

⚠ ADVERTENCIA: Nunca utilice solventes u otros químicos fuertes cuando limpie las piezas no metálicas de la herramienta. Estas sustancias químicas pueden debilitar los materiales plásticos utilizados en estas piezas. Use un paño humedecido con agua y jabón suave. No permita que ningún líquido se introduzca en la herramienta; no sumerja ninguna parte de la herramienta en un líquido.

Durante el uso intensivo, el recolector de polvo se obstruye con el polvo. Consulte la sección **Cambio de la unidad de filtro de la cámara de recolección de polvo**, bajo **FUNCIONAMIENTO**.

Accesorios

⚠ ADVERTENCIA: Como otros accesorios fuera de los ofrecidos por DEWALT no han sido probados con este producto, el uso de tales accesorios con esta herramienta podría ser peligroso. Para reducir el riesgo de lesiones, sólo se deberían usar los accesorios recomendados por DEWALT con este producto.

Si necesita ayuda, por favor póngase en contacto con DEWALT Industrial Tool Co., 701 East Joppa Road, Baltimore, MD 21286, llame al 1-800-4-DEWALT (1-800-433-9258) o visite nuestro sitio web www.dewalt.com.

Reparaciones

Para asegurar la SEGURIDAD y la CONFIABILIDAD del producto, las reparaciones, el mantenimiento y los ajustes deben (inclusive inspección y cambio de carbones) ser realizados en un centro de mantenimiento en la fábrica DEWALT, en un centro de mantenimiento autorizado DEWALT. Utilice siempre piezas de repuesto idénticas.

Póliza de Garantía

IDENTIFICACIÓN DEL PRODUCTO:

Sello o firma del Distribuidor.

Nombre del producto: _____ Mod./Cat.: _____

Marca: _____ Núm. de serie: _____

(Datos para ser llenados por el distribuidor)

Fecha de compra y/o entrega del producto: _____

Nombre y domicilio del distribuidor donde se adquirió el producto: _____

Este producto está garantizado por un año a partir de la fecha de entrega, contra cualquier defecto en su funcionamiento, así como en materiales y mano de obra empleados para su fabricación. Nuestra garantía incluye la reparación o reposición del producto y/o componentes sin cargo alguno para el cliente, incluyendo mano de obra, así como los gastos de transportación razonablemente erogados derivados del cumplimiento de este certificado.

Para hacer efectiva esta garantía deberá presentar su herramienta y esta póliza sellada por el establecimiento comercial donde se adquirió el producto, de no contar con ésta, bastará la factura de compra.

EXCEPCIONES.

Esta garantía no será válida en los siguientes casos:

- Cuando el producto se hubiese utilizado en condiciones distintas a las normales;
- Cuando el producto no hubiese sido operado de acuerdo con el instructivo de uso que se acompaña;
- Cuando el producto hubiese sido alterado o reparado por personas distintas a las enlistadas al final de este certificado.

Anexo encontrará una relación de sucursales de servicio de fábrica, centros de servicio autorizados y franquiciados en la República Mexicana, donde podrá hacer efectiva su garantía y adquirir partes, refacciones y accesorios originales.

Garantía limitada por tres años

DEWALT reparará, sin cargo, cualquier falla que surja de defectos en el material o la fabricación del producto, por hasta tres años a contar de la fecha de compra. Esta garantía no cubre fallas de las piezas causadas por su desgaste normal o abuso a la herramienta. Para mayores detalles sobre la cobertura de la garantía e información acerca de reparaciones realizadas bajo garantía, visítenos en www.dewalt.com o llame al 1-800-4-DEWALT (1-800-433-9258). Esta garantía no aplica a accesorios o a daños causados por reparaciones realizadas o intentadas por terceros. Esta garantía le otorga derechos legales específicos, además de los cuales puede tener otros dependiendo del estado o la provincia en que se encuentre.

Además de la garantía, las herramientas DEWALT están cubiertas por:

1 AÑO DE SERVICIO GRATUITO

DEWALT mantendrá la herramienta y reemplazará las piezas gastadas por su uso normal, sin cobro, en cualquier momento durante un año a contar de la fecha de compra. Los artículos gastados por la clavadora, tales como la unidad de hoja y retorno del impulsador, no están cubiertas.

GARANTÍA DE REEMBOLSO DE SU DINERO POR 90 DÍAS

Si no está completamente satisfecho con el desempeño de su máquina herramienta, láser o clavadora DEWALT, cualquiera sea el motivo, podrá devolverlo hasta 90 días de la fecha de compra con su recibo y obtener el reembolso completo de su dinero – sin necesidad de responder a ninguna pregunta.

AMÉRICA LATINA: Esta garantía no se aplica a los productos que se venden en América Latina. Para los productos que se venden en América Latina, debe consultar la información de la garantía específica del país que viene en el empaque, llamar a la compañía local o visitar el sitio Web a fin de obtener esa información.

REEMPLAZO GRATUITO DE LAS ETIQUETAS DE ADVERTENCIAS: Si sus etiquetas de advertencia se vuelven ilegibles o faltan, llame al 1-800-4-DEWALT (1-800-433-9258) para que se le reemplacen gratuitamente.



PARA REPARACIÓN Y SERVICIO DE SUS HERRAMIENTAS ELÉCTRICAS, FAVOR DE DIRIGIRSE AL CENTRO DE SERVICIO MÁS CERCANO

CULIACAN, SIN

Blvd.Emiliano Zapata 5400-1 Poniente
Col. San Rafael

(667) 717 89 99

GUADALAJARA, JAL

Av. La Paz #1779 - Col. Americana Sector Juárez

(33) 3825 6978

MEXICO, D.F.

Eje Central Lázaro Cárdenas No. 18
Local D, Col. Obrera

(55) 5588 9377

MERIDA, YUC

Calle 63 #459-A - Col. Centro

(999) 928 5038

MONTERREY, N.L.

Av. Francisco I. Madero 831 Poniente - Col. Centro

(818) 375 23 13

PUEBLA, PUE

17 Norte #205 - Col. Centro

(222) 246 3714

QUERETARO, QRO

Av. San Roque 274 - Col. San Gregorio

(442) 2 17 63 14

SAN LUIS POTOSI, SLP

Av. Universidad 1525 - Col. San Luis

(444) 814 2383

TORREON, COAH

Blvd. Independencia, 96 Pte. - Col. Centro

(871) 716 5265

VERACRUZ, VER

Prolongación Díaz Mirón #4280 - Col. Remes

(229) 921 7016

VILLAHERMOSA, TAB

Constitución 516-A - Col. Centro

(993) 312 5111

PARA OTRAS LOCALIDADES:

Si se encuentra en México, por favor llame al (55) 5326 7100

**Si se encuentra en U.S., por favor llame al
1-800-433-9258 (1-800 4-DEWALT)**

ESPECIFICACIONES

D25303DH 28 V-36 V

SOLAMENTE PARA PROPÓSITO DE MÉXICO:

IMPORTADO POR: DEWALT S.A. DE C.V.

BOSQUES DE CIDROS, ACCESO RADIATAS NO.42

3A. SECCIÓN DE BOSQUES DE LAS LOMAS

DELEGACIÓN CUAJIMALPA,

05120, MÉXICO, D.F.

TEL. (52) 555-326-7100

R.F.C.: BDE810626-1W7

Para servicio y ventas consulte
"HERRAMIENTAS ELECTRICAS"
en la sección amarilla.

