

DEWALT®

N589987 TR

Çevirisi orijinal talimatlardan yapılmıştır

DWE4016

English

(original instructions)

5

Türkçe

(orijinal talimatlardan çevrilmiştir)

15

Figure 1 / Şekil 1

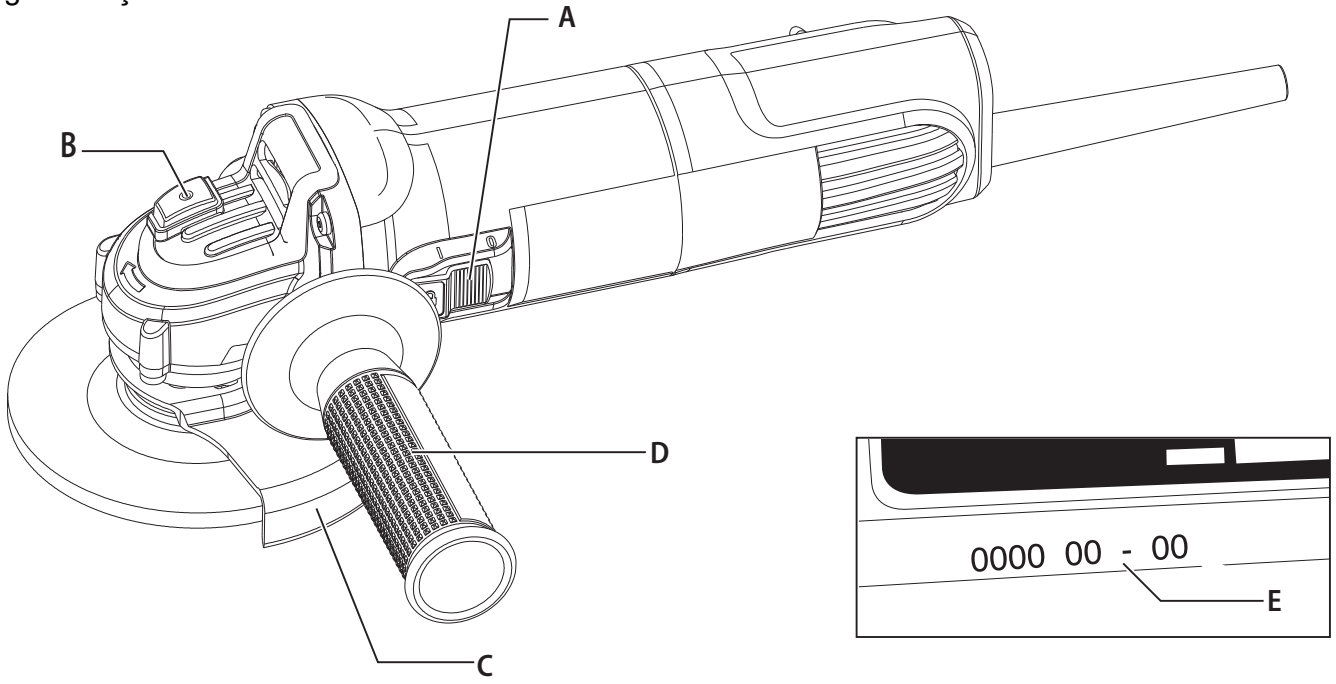


Figure 1 / Şekil 2

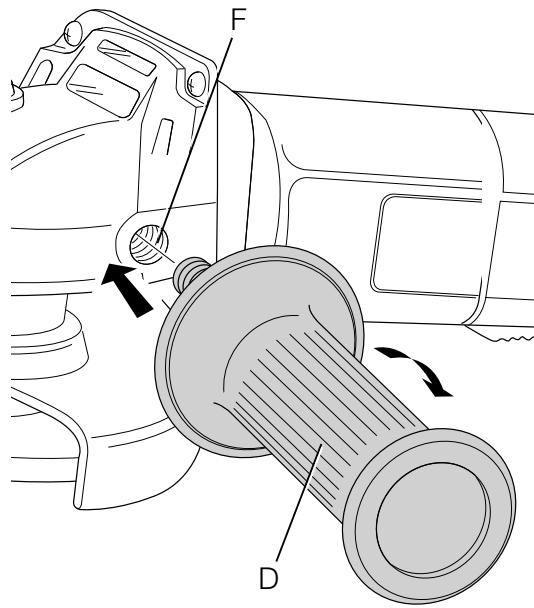


Figure 3a / Şekil 3b

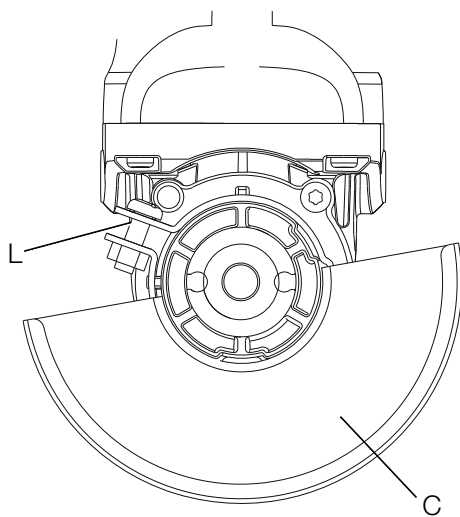


Figure 3b / Şekil 3b

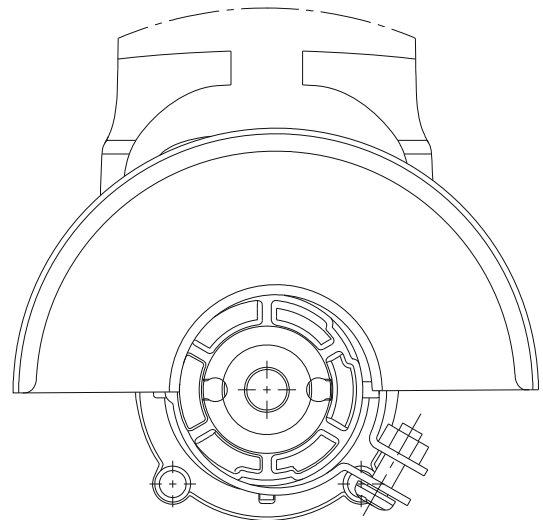


Figure 4 / Şekil 4

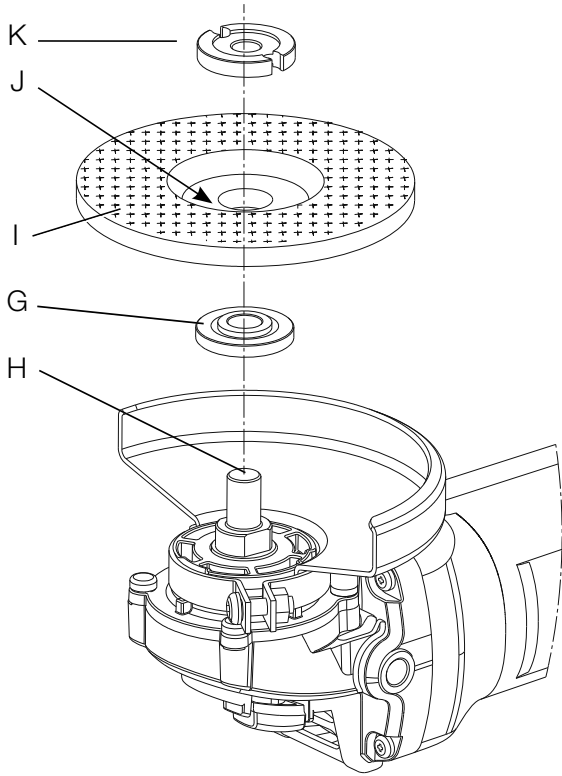


Figure 5 / Şekil 5

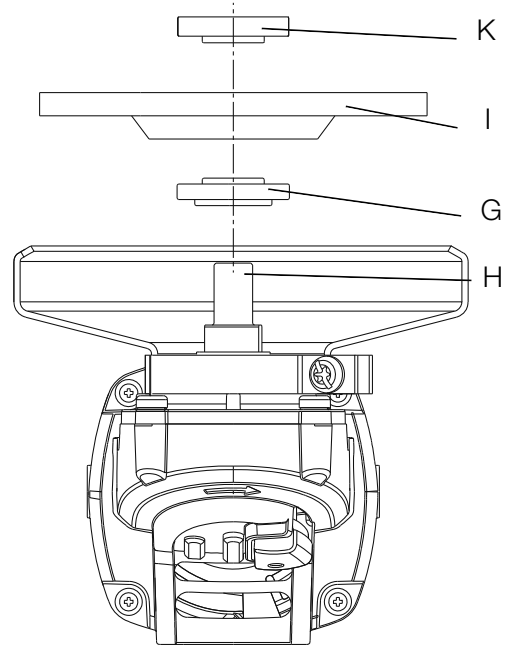
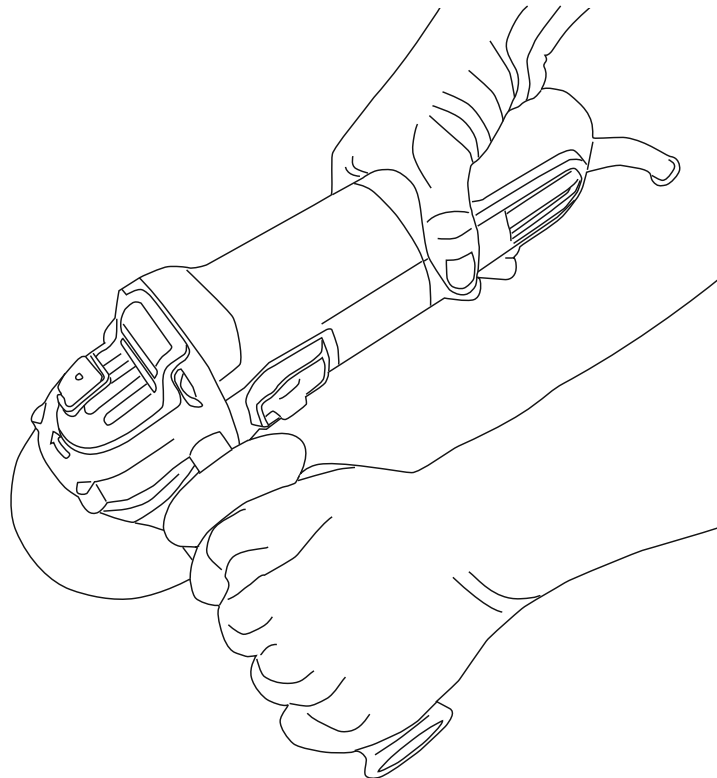


Figure 6 / Şekil 6



ANGLE GRINDERS

DWE4016

Congratulations!

You have chosen a DEWALT tool. Years of experience, thorough product development and innovation make DEWALT one of the most reliable partners for professional power tool users.

Technical Data

		DWE4016
Voltage	V _{AC}	230
UK & Ireland	V _{AC}	230/115
Type		15
Power input	W	750
No-load/rated speed	min ⁻¹	11 000
Wheel diameter	mm	115
Grinding Wheel thickness	mm	6
Wheel Type		27
Spindle diameter		M14
Weight	kg	1.8
Noise values and vibration values (triax vector sum) according to EN60745-2-3:		
L _{PA} (emission sound pressure level)	dB(A)	86
L _{WA} (sound power level)	dB(A)	97
K (uncertainty for the given sound level)	dB(A)	3
Surface grinding		
Vibration emission value a _{h,AG} =	m/s ²	5.1
Uncertainty K =	m/s ²	1.5

The vibration emission level given in this information sheet has been measured in accordance with a standardised test given in EN60745 and may be used to compare one tool with another. It may be used for a preliminary assessment of exposure.



WARNING: The declared vibration emission level represents the main applications of the tool. However if the tool is used for different applications, with different accessories or poorly maintained, the vibration emission may differ. This may significantly increase the exposure level over the total working period.

An estimation of the level of exposure to vibration should also take into account the times when the tool is switched off

or when it is running but not actually doing the job. This may significantly reduce the exposure level over the total working period.

Identify additional safety measures to protect the operator from the effects of vibration such as: maintain the tool and the accessories, keep the hands warm, organisation of work patterns.

Fuses:		
Europe	230V tools	10 Amperes, mains
U.K. & Ireland	230V tools	13 Amperes, in plugs

Definitions: Safety Guidelines

The definitions below describe the level of severity for each signal word. Please read the manual and pay attention to these symbols.



DANGER: Indicates an imminently hazardous situation which, if not avoided, **will result in death or serious injury.**



WARNING: Indicates a potentially hazardous situation which, if not avoided, **could result in death or serious injury.**



CAUTION: Indicates a potentially hazardous situation which, if not avoided, **may result in minor or moderate injury.**

NOTICE: Indicates a practice **not related to personal injury** which, if not avoided, **may result in property damage.**



Denotes risk of electric shock.



Denotes risk of fire.

EC-Declaration of Conformity

MACHINERY DIRECTIVE



ANGLE GRINDERS DWE4016

DEWALT declares that these products described under **Technical Data** are in compliance with: 2006/42/EC, EN60745-1:2009 +A11:2010, EN60745-2-3:2011+A2:2013+A11:2014+A12:2014

These products also comply with Directive 2014/30/EU and 2011/65/EU. For more information, please contact DEWALT at the following address or refer to the back of the manual.

The undersigned is responsible for compilation of the technical file and makes this declaration on behalf of DEWALT.

Markus Rompel
Director Engineering
DEWALT, Richard-Klinger-Straße 11,
D-65510, Idstein, Germany
30.11.2015



WARNING: To reduce the risk of injury, read the instruction manual.

General Power Tool Safety Warnings



WARNING: Read all safety warnings and all instructions. Failure to follow the warnings and instructions may result in electric shock, fire and/or serious injury.

SAVE ALL WARNINGS AND INSTRUCTIONS FOR FUTURE REFERENCE

The term "power tool" in the warnings refers to your mains-operated (corded) power tool or battery-operated (cordless) power tool.

1) WORK AREA SAFETY

- Keep work area clean and well lit.** Cluttered or dark areas invite accidents.
- Do not operate power tools in explosive atmospheres, such as in the presence of flammable liquids, gases or dust.** Power tools create sparks which may ignite the dust or fumes.

- Keep children and bystanders away while operating a power tool.** Distractions can cause you to lose control.

2) ELECTRICAL SAFETY

- Power tool plugs must match the outlet. Never modify the plug in any way. Do not use any adapter plugs with earthed (grounded) power tools.** Unmodified plugs and matching outlets will reduce risk of electric shock.
- Avoid body contact with earthed or grounded surfaces such as pipes, radiators, ranges and refrigerators.** There is an increased risk of electric shock if your body is earthed or grounded.
- Do not expose power tools to rain or wet conditions.** Water entering a power tool will increase the risk of electric shock.
- Do not abuse the cord. Never use the cord for carrying, pulling or unplugging the power tool. Keep cord away from heat, oil, sharp edges or moving parts.** Damaged or entangled cords increase the risk of electric shock.
- When operating a power tool outdoors, use an extension cord suitable for outdoor use.** Use of a cord suitable for outdoor use reduces the risk of electric shock.
- If operating a power tool in a damp location is unavoidable, use a residual current device (RCD) protected supply.** Use of an RCD reduces the risk of electric shock.

3) PERSONAL SAFETY

- Stay alert, watch what you are doing and use common sense when operating a power tool. Do not use a power tool while you are tired or under the influence of drugs, alcohol or medication.** A moment of inattention while operating power tools may result in serious personal injury.
- Use personal protective equipment. Always wear eye protection.** Protective equipment such as dust mask, non-skid safety shoes, hard hat, or hearing protection used for appropriate conditions will reduce personal injuries.
- Prevent unintentional starting. Ensure the switch is in the off position before connecting to power source and/or battery pack, picking up or carrying the tool.** Carrying power tools with your finger on the switch or energising power tools that have the switch on invites accidents.
- Remove any adjusting key or wrench before turning the power tool on.** A wrench

or a key left attached to a rotating part of the power tool may result in personal injury.

- e) **Do not overreach. Keep proper footing and balance at all times.** This enables better control of the power tool in unexpected situations.
- f) **Dress properly. Do not wear loose clothing or jewellery. Keep your hair, clothing and gloves away from moving parts.** Loose clothes, jewellery or long hair can be caught in moving parts.
- g) **If devices are provided for the connection of dust extraction and collection facilities, ensure these are connected and properly used.** Use of dust collection can reduce dust-related hazards.

4) POWER TOOL USE AND CARE

- a) **Do not force the power tool. Use the correct power tool for your application.** The correct power tool will do the job better and safer at the rate for which it was designed.
- b) **Do not use the power tool if the switch does not turn it on and off.** Any power tool that cannot be controlled with the switch is dangerous and must be repaired.
- c) **Disconnect the plug from the power source and/or the battery pack from the power tool before making any adjustments, changing accessories, or storing power tools.** Such preventive safety measures reduce the risk of starting the power tool accidentally.
- d) **Store idle power tools out of the reach of children and do not allow persons unfamiliar with the power tool or these instructions to operate the power tool.** Power tools are dangerous in the hands of untrained users.
- e) **Maintain power tools. Check for misalignment or binding of moving parts, breakage of parts and any other condition that may affect the power tool's operation. If damaged, have the power tool repaired before use.** Many accidents are caused by poorly maintained power tools.
- f) **Keep cutting tools sharp and clean.** Properly maintained cutting tools with sharp cutting edges are less likely to bind and are easier to control.
- g) **Use the power tool, accessories and tool bits etc., in accordance with these instructions taking into account the working conditions and the work to be performed.** Use of the power tool for operations different from those intended could result in a hazardous situation.

5) SERVICE

- a) **Have your power tool serviced by a qualified repair person using only identical replacement parts.** This will ensure that the safety of the power tool is maintained.

ADDITIONAL SPECIFIC SAFETY RULES

Safety Instructions for All Operations

- a) **This power tool is intended to function as a grinder. Read all safety warnings, instructions, illustrations and specifications provided with this power tool.** Failure to follow all instructions listed below may result in electric shock, fire and/or serious injury.
- b) **Operations such as sanding, wire brushing, polishing and cutting-off are not recommended to be performed with this power tool.** Operations for which the power tool was not designed may create a hazard and cause personal injury.
- c) **Do not use accessories which are not specifically designed and recommended by the tool manufacturer.** Just because the accessory can be attached to your power tool, it does not assure safe operation.
- d) **The rated speed of the accessory must be at least equal to the maximum speed marked on the power tool.** Accessories running faster than their rated speed can break and fly apart.
- e) **The outside diameter and the thickness of your accessory must be within the capacity rating of your power tool.** Incorrectly sized accessories can not be adequately guarded or controlled.
- f) **Threaded mounting of accessories must match the grinder spindle thread. For accessories mounted by flanges, the arbour hole of the accessory must fit the locating diameter of the flange.** Accessories that do not match the mounting hardware of the power tool will run out of balance, vibrate excessively and may cause loss of control.
- g) **Do not use a damaged accessory. Before each use inspect the accessory such as abrasive wheel for chips and cracks, backing pad for cracks, tear or excess wear, wire brush for loose or cracked wires. If power tool or accessory is dropped, inspect for damage or install an undamaged accessory. After inspecting and installing an accessory, position yourself and bystanders away from the plane of the rotating accessory and run the power tool at maximum no-load speed**

for one minute. Damaged accessories will normally break apart during this test time.

- h) **Wear personal protective equipment.** Depending on application, use face shield, safety goggles or safety glasses. As appropriate, wear dust mask, hearing protectors, gloves and workshop apron capable of stopping small abrasive or workpiece fragments. The eye protection must be capable of stopping flying debris generated by various operations. The dust mask or respirator must be capable of filtering particles generated by your operation. Prolonged exposure to high intensity noise may cause hearing loss.
- i) **Keep bystanders a safe distance away from work area. Anyone entering the work area must wear personal protective equipment.** Fragments of workpiece or of a broken accessory may fly away and cause injury beyond immediate area of operation.
- j) **Hold power tool by insulated gripping surfaces only, when performing an operation where the cutting accessory may contact hidden wiring or its own cord.** Cutting accessory contacting a "live" wire may make exposed metal parts of the power tool "live" and could give the operator an electrical shock.
- k) **Position the cord clear of the spinning accessory.** If you lose control, the cord may be cut or snagged and your hand or arm may be pulled into the spinning accessory.
- l) **Never lay the power tool down until the accessory has come to a complete stop.** The spinning accessory may grab the surface and pull the power tool out of your control.
- m) **Do not run the power tool while carrying it at your side.** Accidental contact with the spinning accessory could snag your clothing, pulling the accessory into your body.
- n) **Regularly clean the power tool's air vents.** The motor's fan will draw the dust inside the housing and excessive accumulation of powdered metal may cause electrical hazards.
- o) **Do not operate the power tool near flammable materials.** Sparks could ignite these materials.
- p) **Do not use accessories that require liquid coolants.** Using water or other liquid coolants may result in electrocution or shock.

FURTHER SAFETY INSTRUCTIONS FOR ALL OPERATIONS

Causes and Operator Prevention of Kickback

Kickback is a sudden reaction to a pinched or snagged rotating wheel, backing pad, brush or any other accessory. Pinching or snagging causes rapid stalling of the rotating accessory which in turn causes the uncontrolled power tool to be forced in the direction opposite of the accessory's rotation at the point of the binding.

For example, if an abrasive wheel is snagged or pinched by the workpiece, the edge of the wheel that is entering into the pinch point can dig into the surface of the material causing the wheel to climb out or kick out. The wheel may either jump toward or away from the operator, depending on direction of the wheel's movement at the point of pinching. Abrasive wheels may also break under these conditions.

Kickback is the result of tool misuse and/or incorrect operating procedures or conditions and can be avoided by taking proper precautions as given below:

- a) **Maintain a firm grip on the power tool and position your body and arm to allow you to resist kickback forces. Always use auxiliary handle, if provided, for maximum control over kickback or torque reaction during start up.** The operator can control torque reaction or kickback forces, if proper precautions are taken.
- b) **Never place your hand near the rotating accessory.** Accessory may kickback over your hand.
- c) **Do not position your body in the area where power tool will move if kickback occurs.** Kickback will propel the tool in direction opposite to the wheel's movement at the point of snagging.
- d) **Use special care when working corners, sharp edges etc. Avoid bouncing and snagging the accessory.** Corners, sharp edges or bouncing have a tendency to snag the rotating accessory and cause loss of control or kickback.
- e) **Do not attach a saw chain woodcarving blade or toothed saw blade.** Such blades create frequent kickback and loss of control.

Safety Warnings Specific for Grinding Operations

- a) **Use only wheel types that are recommended for your power tool and the specific guard designed for the selected wheel.** Wheels for

which the power tool was not designed cannot be adequately guarded and are unsafe.

- b) **The grinding surface of centre depressed wheels must be mounted below the plane of the guard lip.** An improperly mounted wheel that projects through the plane of the guard lip cannot be adequately protected.
- c) **The guard must be securely attached to the power tool and positioned for maximum safety, so the least amount of wheel is exposed towards the operator.** The guard helps to protect the operator from broken wheel fragments, accidental contact with wheel and sparks that could ignite clothing.
- d) **Wheels must be used only for recommended applications. For example: do not grind with the side of cut-off wheel.** Abrasive cut-off wheels are intended for peripheral grinding, side forces applied to these wheels may cause them to shatter.
- e) **Always use undamaged wheel flanges that are of correct size and shape for your selected wheel.** Proper wheel flanges support the wheel thus reducing the possibility of wheel breakage. Flanges for cut-off wheels may be different from grinding wheel flanges.
- f) **Do not use worn down wheels from larger power tools.** Wheel intended for larger power tool is not suitable for the higher speed of a smaller tool and may burst.



WARNING: We recommend the use of a residual current device with a residual current rating of 30mA or less.

Residual Risks

In spite of the application of the relevant safety regulations and the implementation of safety devices, certain residual risks cannot be avoided. These are:

- Impairment of hearing.
- Risk of personal injury due to flying particles.
- Risk of burns due to accessories becoming hot during operation.
- Risk of personal injury due to prolonged use.
- Risk of dust from hazardous substances.

Markings on Tool

The following pictograms are shown on the tool:



Read instruction manual before use.



Wear ear protection.



Wear eye protection.

DATE CODE POSITION (FIG. 1)

The date code (E), which also includes the year of manufacture, is printed into the housing.

Example:

2015 XX XX

Year of Manufacture

Package Contents

The package contains:

- 1 Angle grinder
- 1 Guard
- 1 Side handle
- 1 Flange set
- 1 Spanner
- 1 Instruction manual
- Check for damage to the tool, parts or accessories which may have occurred during transport.
- Take the time to thoroughly read and understand this manual prior to operation.

Description (Fig. 1)



WARNING: Never modify the power tool or any part of it. Damage or personal injury could result.

- A. On/off switch
- B. Spindle lock button
- C. Guard
- D. Side handle

INTENDED USE

Your DWE4016 angle grinder has been designed for professional grinding applications.

DO NOT use under wet conditions or in the presence of flammable liquids or gases.

These heavy-duty angle grinders are professional power tools.

DO NOT let children come into contact with the tool. Supervision is required when inexperienced operators use this tool.

- **Young children and the infirm.** This appliance is not intended for use by young children or infirm persons without supervision.

- This product is not intended for use by persons (including children) suffering from diminished physical, sensory or mental abilities; lack of experience, knowledge or skills unless they are supervised by a person responsible for their safety. Children should never be left alone with this product.

Soft Start Feature

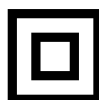
The soft start feature allows a slow speed build-up to avoid an initial jerk when starting. This feature is particularly useful when working in confined spaces.

No-Volt

The No-volt function stops the grinder restarting without the switch being cycled if there is a break in the power supply.

Electrical Safety

The electric motor has been designed for one voltage only. Always check that the power supply corresponds to the voltage on the rating plate.



Your DEWALT tool is double insulated in accordance with EN60745; therefore no earth wire is required.



WARNING: 115 V units have to be operated via a fail-safe isolating transformer with an earth screen between the primary and secondary winding.

If the supply cord is damaged, it must be replaced by a specially prepared cord available through the DEWALT service organisation.

Mains Plug Replacement (U.K. & Ireland Only)

If a new mains plug needs to be fitted:

- Safely dispose of the old plug.
- Connect the brown lead to the live terminal in the plug.
- Connect the blue lead to the neutral terminal.



WARNING: No connection is to be made to the earth terminal.

Follow the fitting instructions supplied with good quality plugs. Recommended fuse: 13 A.

Using an Extension Cable

If an extension cable is required, use an approved 3-core extension cable suitable for the power input of this tool (see **Technical Data**). The minimum conductor size is 1.5 mm²; the maximum length is 30 m.

When using a cable reel, always unwind the cable completely.

ASSEMBLY AND ADJUSTMENTS



WARNING: To reduce the risk of serious personal injury, turn tool off and disconnect tool from power source before making any adjustments or removing/installing attachments or accessories. Be sure the trigger switch is in the OFF position. An accidental start-up can cause injury.

Attaching Side Handle (Fig. 2)



WARNING: Before using the tool, check that the handle is tightened securely.



WARNING: The side handle should always be used to maintain control of the tool at all times.

Screw the side handle (D) tightly into one of the holes (F) on either side of the gear case.

Mounting and Removing the Guard (Fig. 3)



WARNING: To reduce the risk of serious personal injury, turn tool off and disconnect tool from power source before making any adjustments or removing/installing attachments or accessories. Before reconnecting the tool, depress and release the trigger switch to ensure that the tool is off.



CAUTION: Guards must be used with this grinder.

TO MOUNT THE GUARD

1. Place the angle grinder on a table, spindle up.
2. Press the guard (C) down (Fig. 3A).
3. Position the guard between your body and work piece.
4. Tight the screw (L) holding the cinch collar firmly around the neck of spindle (Fig. 3B)

TO REMOVE THE GUARD

1. Loosen the screw (L) holding the cinch collar around the neck of the spindle and make sure the screw remains attached to the collar. remain attached to the collar..
2. Lift up on the guard.

Fitting and Removing a Grinding Disc (Fig. 1, 4, 5)



WARNING: Do not use a damaged disc.

1. Place the tool on a table, guard up.
2. Fit the backing flange (G) correctly onto the spindle (H) (Fig. 4).
3. Place the disc (I) on the flange (G). When fitting a disc with a raised centre, make sure that the raised centre (J) is facing the flange (G).
4. Screw the outer flange (K) onto the spindle (H) (Fig. 5). The ring on the flange (K) must face towards the disc when fitting a grinding disc.
5. Press the spindle lock button (B) and rotate the spindle (H) until it locks in position.
6. Tighten the flange (K) with the hex key provided or a two pin spanner.
7. Release the spindle lock.
8. To remove the disc, loosen the flange (K) with the hex key provided or a two pin spanner.

Prior to Operation

- Install the guard and appropriate disc or wheel. Do not use excessively worn discs or wheels.
- Be sure the inner and outer flange are mounted correctly. Follow the instructions given in the **Grinding and Cutting Accessory Chart**.
- Make sure the disc or wheel rotates in the direction of the arrows on the accessory and the tool.

OPERATION

Instructions for Use



WARNING: Always observe the safety instructions and applicable regulations.



WARNING: To reduce the risk of serious personal injury, turn tool off and disconnect tool from power source before making any adjustments or removing/installing attachments or accessories. Be sure the trigger switch is in the OFF position. An accidental start-up can cause injury.



WARNING:

- Ensure all materials to be ground or cut are secured in place.
- Secure and support the workpiece. Use clamps or a vice to hold and support the workpiece to a stable platform. It is important to clamp and support the workpiece securely to

prevent movement of the workpiece and loss of control. Movement of the workpiece or loss of control may create a hazard and cause personal injury.

- **Support panels or any oversized workpiece to minimize the risk of wheel pinching and kickback.** Large workpieces tend to sag under their own weight. Supports must be placed under the workpiece near the line of cut and near the edge of the workpiece on both sides of the wheel.
- Apply only a gentle pressure to the tool. Do not exert side pressure on the disc.
- Avoid overloading. Should the tool become hot, let it run a few minutes under no load condition to cool the accessory. Do not touch accessories before they have cooled. The discs become very hot during use.

Proper Hand Position (Fig. 1, 6)



WARNING: To reduce the risk of serious personal injury, **ALWAYS** use proper hand position as shown.



WARNING: To reduce the risk of serious personal injury, **ALWAYS** hold securely in anticipation of a sudden reaction.

Proper hand position requires one hand on the side handle (D), with the other hand on the body of the tool, as shown in Figure 6.

Switches



WARNING: Do not switch the tool on or off when under load.



WARNING: Before using the tool, check that the handle is tightened securely.

SLIDER SWITCH (FIG. 1)

To start the tool, slide the on/off slider switch (A) toward the front of the tool. To stop the tool, release the on/off slider switch.

For continuous operation, slide the switch toward the front of the tool and press the forward part of the switch inward.

To stop the tool while operating in continuous mode, press the rear part of the slider switch and release.

Spindle Lock (Fig. 1)

The spindle lock (B) is provided to prevent the spindle from rotating when installing or removing wheels. Operate the spindle lock only when the tool

is turned off, unplugged from the power supply, and has come to a complete stop.

NOTICE: To reduce the risk of damage to the tool, do not engage the spindle lock while the tool is operating. Damage to the tool will result and attached accessory may spin off possibly resulting in injury.

To engage the lock, depress the spindle lock button and rotate the spindle until you are unable to rotate the spindle further.

Using Depressed Centre Grinding Wheels

SURFACE GRINDING WITH GRINDING WHEELS

1. Allow the tool to reach full speed before touching the tool to the work surface.
2. Apply minimum pressure to the work surface, allowing the tool to operate at high speed. Grinding rate is greatest when the tool operates at high speed.
3. Maintain a 20° to 30° angle between the tool and work surface.
4. Continuously move the tool in a forward and back motion to avoid creating gouges in the work surface.
5. Remove the tool from work surface before turning tool off. Allow the tool to stop rotating before laying it down.

Metal Applications

When using the tool in metal applications, make sure that a residual current device (RCD) has been inserted to avoid residual risks caused by metal swarf.

If the power supply is shut off by the RCD, take the tool to an authorised DEWALT repair agent.



WARNING: In extreme working conditions, conductive dust can accumulate inside the machine housing when working with metal. This can result in the protective insulation in the machine becoming degraded with a potential risk of an electrical shock.

To avoid build-up of metal swarf inside the machine, we recommend to clear the ventilation slots on a daily basis. Refer to **Maintenance**.

Using Flap Discs



WARNING: Metal dust build-up. Extensive use of flap discs in metal applications can result in the increased

potential for electric shock. To reduce this risk, insert an RCD before use and clean the ventilation slots daily by blowing dry compressed air into the ventilation slots in accordance with the below maintenance instructions.

MAINTENANCE

Your DEWALT power tool has been designed to operate over a long period of time with a minimum of maintenance. Continuous satisfactory operation depends upon proper tool care and regular cleaning.



WARNING: To reduce the risk of serious personal injury, turn tool off and disconnect tool from power source before making any adjustments or removing/installing attachments or accessories. Be sure the trigger switch is in the OFF position. An accidental start-up can cause injury.

Pop-off Brushes

The motor will be automatically shut off indicating that the carbon brushes are nearly worn out and that the tool needs servicing. The carbon brushes are not user-serviceable. Take the tool to an authorised DEWALT repair agent.



Lubrication

Your power tool requires no additional lubrication.



Cleaning



WARNING: Blow dirt and dust out of the main housing with dry air as often as dirt is seen collecting in and around the air vents. Wear approved eye protection and approved dust mask when performing this procedure.



WARNING: Never use solvents or other harsh chemicals for cleaning the non-metallic parts of the tool. These chemicals may weaken the materials used in these parts. Use a cloth dampened only with water and mild soap. Never let any liquid get inside the tool; never immerse any part of the tool into a liquid.

Optional Accessories



WARNING: *Since accessories, other than those offered by DEWALT, have not been tested with this product, use of such accessories with this tool could be hazardous. To reduce the risk of injury, only DEWALT recommended accessories should be used with this product.*

Consult your dealer for further information on the appropriate accessories.

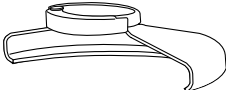

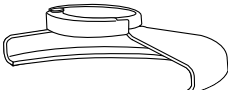


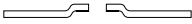

Protecting the Environment



Separate collection. Products and batteries marked with this symbol must not be disposed of with normal household waste.

Products and batteries contain materials that can be recovered or recycled reducing the demand for raw materials. Please recycle electrical products and batteries according to local provisions. Further information is available at www.2helpU.com.

GRINDING AND CUTTING ACCESSORY CHART

<i>Guard Type</i>	<i>Accessory</i>	<i>Description</i>	<i>How to Fit Grinder</i>
 <p>TYPE 27 GUARD</p>		<p>Depressed centre grinding disc</p>	 <p>Type 27 guard</p>  <p>Backing flange</p>   <p>Type 27 depressed centre wheel</p>  <p>Threaded clamp nut</p>

AVUÇ TAŞLAMA MAKİNELERİ

DWE4016

Tebrikler!

Bir DEWALT aleti seçtiniz. Uzun süreli deneyim, sürekli ürün geliştirme ve yenilik DEWALT markasının profesyonel elektrikli alet kullanıcıları için en güvenilir ortaklardan birisi haline gelmesini sağlamaktadır.

Teknik Özellikleri

		DWE4016
Voltaj	V_{AC}	230
Tip		15
Giriş gücü	W	750
Yüksüz/anma hızı	dev/dak	11 000
Disk çapı	mm	115
Taşlama Diski kalınlığı	mm	6
Disk Tür		27
Mil çapı		M14
Ağırlık	kg	1,8
EN60745-2-3'e göre tespit edilen toplam gürültü ve titreşim değerleri (üç yönün vektör toplamı):		
L_{PA} (ses basıncı düzeyi)	dB(A)	86
L_{WA} (akustik güç düzeyi)	dB(A)	97
K (akustik gücü belirsizliği)	dB(A)	3
yüzey taşlama		
Titreşim emisyon değeri $a_{h,AG} =$	m/s^2	5,1
Belirsizlik K =	m/s^2	1,5

Bu bilgi sayfasında verilen titreşim emisyon düzeyi, EN60745'te sağlanan standart teste uygun olarak ölçülmüştür ve aletleri birbiriyle karşılaştırmak için kullanılabilir. Ön maruziyet değerlendirmesi için kullanılabilir.



UYARI: Beyan edilen titreşim emisyon düzeyi, aletin ana uygulamalarını yansıtır. Ancak alet farklı aksesuarlarla farklı uygulamalar için kullanılırsa veya bakımı kötü yapılırsa, titreşim emisyonu değişebilir. Bu, toplam çalışma süresindeki maruziyet düzeyini önemli ölçüde artırabilir.

Tahmini titreşim maruziyeti, aletin kapalı kaldığı veya çalışmasına karşın iş görmediği zamanları da dikkate almalıdır. Bu, toplam çalışma süresindeki maruziyet düzeyini önemli ölçüde azaltabilir.

Kullanıcıyı titreşim etkilerinden korumak için belirtilen ek güvenlik önlemlerini alın: Aletin ve aksesuarların bakımını yapın, elleri sıcak tutun, çalışma modellerini düzenleyin.

Sigortalar

Avrupa 230V aletler 10 Amper, şebeke

Tanımlar: Güvenlik Talimatları

Aşağıdaki tanımlar her işaret sözcüğü ciddiyet derecesini gösterir. Lütfen kılavuzu okuyunuz ve bu simgelere dikkat ediniz.



TEHLİKE: Engellenmemesi halinde **ölüm veya ciddi yaralanma ile sonuçlanabilecek çok yakın bir tehlikeli durumu** gösterir.



UYARI: Engellenmemesi halinde **ölüm veya ciddi yaralanma ile sonuçlanabilecek potansiyel bir tehlikeli durumu** gösterir.



DİKKAT: Engellenmemesi halinde **önemsiz veya orta dereceli yaralanma ile sonuçlanabilecek potansiyel bir tehlikeli durumu** gösterir.

İKAZ: Engellenmemesi halinde **maddi hasara neden olabilecek, yaralanma ile ilişkisi olmayan durumları** gösterir.



Elektrik çarpması riskini belirtir.



Yangın riskini belirtir.

AT Uygunluk Beyanati

MAKİNE DİREKTİFİ



AVUÇ TAŞLAMA MAKİNELERİ
DWE4016

DEWALT, Teknik Özellikleri bölümünde açıklanan bu ürünlerin aşağıda belirtilen yönergelere uygun olduğunu beyan eder:

2006/42/EC, EN60745-1:2009 +A11:2010,
EN60745-2-3:2011+A2:2013+A11:2014+A12:2014

Bu ürünler ayrıca 2014/30/EU ve 2011/65/EU Direktiflerine de uygundur. Daha ayrıntılı bilgi için, lütfen aşağıdaki adresten DEWALT ile temas kurun veya kılavuzun arka kapağına bakın.

Bu belge altında imzası bulunan yetkili, teknik dosyanın derlenmesinden sorumludur ve bu beyanı DEWALT adına vermiştir.

Markus Rompel
Mühendislik Müdürü
DEWALT, Richard-Klinger-Straße 11,
D-65510, Idstein, Almanya
30.11.2015



UYARI: Yaralanma riskini azaltmak için, kullanım kılavuzunu okuyun.

Elektrikli El Aletleri İçin Genel Güvenlik Talimatları



UYARI: Bütün güvenlik uyarılarını ve talimatlarını mutlaka okuyun. Bu talimatların herhangi birisine uyulmaması elektrik çarpması, yangın ve/veya ciddi yaralanma riskine neden olabilir.

BÜTÜN UYARI VE GÜVENLİKTALİMATLARINI İLERİDE BAKMAK ÜZERE SAKLAYIN

Uyarılarda yer alan «elektrikli alet» terimi şebeke elektriğiyle (kablolu) veya akü/pille (şarjlı) çalışan elektrikli aletinizi ifade etmektedir.

1) ÇALIŞMA ALANININ GÜVENLİĞİ

- Çalışma alanını temiz ve aydınlık tutun.** Karışık ve karanlık alanlar kazaya davetiye çıkartır.
- Elektrikli aletleri, yanıcı sıvılar, gazlar ve tozların bulunduğu yerler gibi yanıcı ortamlarda çalıştırmayın.** Elektrikli aletler, toz veya dumanları ateşleyebilecek kıvılcımlar çıkartır.
- Bir elektrikli aleti çalıştırırken çocuklardan ve etraftaki kişilerden uzak tutun.** Dikkatinizi dağıtıcı şeyler kontrolü kaybetmenize neden olabilir.

2) ELEKTRİK GÜVENLİĞİ

- Elektrikli aletlerin fişleri prizlere uygun olmalıdır. Fiş üzerinde kesinlikle hiçbir değişiklik yapmayın. Topraklı elektrikli aletlerde hiçbir adaptör fişi kullanmayın.** Değiştirilmemiş fişler ve uygun prizler elektrik çarpması riskini azaltacaktır.
- Borular, radyatörler, ocaklar ve buzdolapları gibi topraklanmamış yüzeylerle vücut temasından kaçının.** Vücudunuzun topraklanması halinde yüksek bir elektrik çarpması riski vardır.
- Elektrikli aletleri yağmura maruz bırakmayın veya ıslatmayın.** Elektrikli alete su girmesi elektrik çarpması riskini arttıracaktır.
- Elektrik kablosunu uygun olmayan amaçlarla kullanmayın. Elektrikli aleti kesinlikle kablosundan tutarak taşımayın, çekmeyin veya prizden çıkartmayın. Kabloyu sıcaktan, yağdan, keskin kenarlardan veya hareketli parçalardan uzak tutun.** Hasarlı veya dolaşmış kablolar elektrik çarpması riskini artırır.
- Elektrikli bir aleti açık havada çalıştırıyorsanız, açık havada kullanıma uygun bir uzatma kablosu kullanın.** Açık havada kullanıma uygun bir kablonun kullanılması elektrik çarpması riskini azaltır.
- Eğer bir elektrikli aletin nemli bir bölgede çalıştırılması zorunluysa, bir artık akım aygıtı (RCD) korumalı bir kaynak kullanın.** Bir RCD kullanılması elektrik şoku riskini azaltır.

3) KİŞİSEL GÜVENLİK

- Elektrikli bir aleti kullanırken her zaman dikkatli olun, yaptığınız işe yoğunlaşın ve sağduyulu davranın. Elektrikli bir aleti**

yorgunken veya ilaç ya da alkolün etkisi altındayken kullanmayın. Elektrikli aletleri kullanırken bir anlık dikkatsizlik ciddi kişisel yaralanmayla sonuçlanabilir.

- b) **Kişisel koruyucu ekipmanları mutlaka kullanın. Daima koruyucu gözlük takın.** Koşullara uygun toz maskesi, kaymayan güvenlik ayakkabıları, baret veya kulaklık gibi koruyucu donanımların kullanılması kişisel yaralanmaları azaltacaktır.
- c) **İstem dışı çalıştırılmasını önleyin. Aleti güç kaynağına ve/veya aküye bağlamadan, yerden kaldırmadan veya taşımadan önce düğmenin kapalı konumda olduğundan emin olun.** Aleti, parmağınız düğme üzerinde bulunacak şekilde taşımak veya açık konumdaki elektrikli aletleri elektrik şebekesine bağlamak kazaya davetiye çıkartır.
- d) **Elektrikli aleti açmadan önce tüm ayarlama anahtarlarını çıkartın.** Elektrikli aletin hareketli bir parçasına takılı kalmış bir anahtar kişisel yaralanmaya neden olabilir.
- e) **Ulaşmakta zorlandığınız yerlerde kullanmayın. Daima sağlam ve dengeli basın.** Bu, beklenmedik durumlarda elektrikli aletin daha iyi kontrol edilmesine olanak tanır.
- f) **Uygun şekilde giyinin. Bol elbiseler giymeyin ve takı takmayın. Saçınızı, elbiselerinizi ve eldivenlerinizi hareketli parçalardan uzak tutun.** Bol elbiseler ve takılar veya uzun saç hareketli parçalara takılabilir.
- g) **Eğer kullandığınız üründe toz emme ve toplama özellikleri olan ataşmanlar varsa bunların bağlı olduğundan ve doğru şekilde kullanıldığından emin olun.** Bu ataşmanların kullanılması tozla ilgili tehlikeleri azaltabilir.

4) ELEKTRİKLİ ALETLERİN KULLANIMI VE BAKIMI

- a) **Elektrikli aleti zorlamayın. Uygulamanız için doğru elektrikli aleti kullanın.** Doğru elektrikli alet, belirlendiği kapasite ayarında kullanıldığında daha iyi ve güvenli çalışacaktır.
- b) **Düğme açmıyor ve kapatmıyorsa elektrikli aleti kullanmayın.** Düğmeyle kontrol edilemeyen tüm elektrikli aletler tehlikelidir ve tamir edilmesi gerekmektedir.
- c) **Herhangi bir ayarlama, aksesuar değişimi veya elektrikli aletlerin**

saklanması öncesinde fişi güç kaynağından çekin ve/veya aküyü aletten ayırın. Bu tür önleyici güvenlik tedbirleri elektrikli aletin istem dışı olarak çalıştırılması riskini azaltacaktır.

- d) **Elektrikli aleti, çocukların ulaşamayacağı yerlerde saklayın ve elektrikli aleti tanımayan veya bu talimatları bilmeyen kişilerin elektrikli aleti kullanmasına izin vermeyin.** Elektrikli aletler, eğitimsiz kullanıcıların elinde tehlikelidir.
- e) **Elektrikli aletleri iyi durumda muhafaza edin. Hareketli parçalardaki hizalama hatalarını ve tutuklukları, parçalardaki kırılmalar ve elektrikli aletin çalışmasını etkileyebilecek tüm diğer koşulları kontrol edin. Hasarlı ise, elektrikli aleti kullanmadan önce tamir ettirin.** Kazaların çoğu, elektrikli aletlerin bakımının yeterli şekilde yapılmamasından kaynaklanır.
- f) **Kesim aletlerini keskin ve temiz tutun.** Bakımı uygun şekilde yapılmış keskin kesim uçlu kesim aletlerinin sıkışma ihtimali daha düşüktür ve kontrol edilmesi daha kolaydır.
- g) **Elektrikli aleti, aksesuarlarını ve aletin diğer parçalarını kullanırken bu talimatlara mutlaka uyun ve çalışma ortamının koşullarını ve yapılacak işin ne olduğunu göz önünde bulundurun.** Elektrikli aletin öngörülen işlemler dışındaki işlemler için kullanılması tehlikeli durumlara neden olabilir.

5) SERVİS

- a) **Elektrikli aletinizi, sadece orijinal yedek parçaların kullanıldığı yetkili DEWALT servisine tamir ettirin.** Bu, elektrikli aletin güvenliğinin muhafaza edilmesini sağlayacaktır.

İLAVE ÖZEL GÜVENLİK KURALLARI

Tüm İşlemler için Güvenlik Talimatları

- a) **Bu elektrikli alet, taşlama makinesi olarak kullanılmak üzere tasarlanmıştır. Bu elektrikli aletle verilen tüm güvenlik uyarılarını, talimatları, resimleri ve teknik özellikleri okuyun.** Aşağıda listelenen tüm talimatlara uyulmaması elektrik çarpmasına, yangına ve/veya ciddi yaralanmalara neden olabilir.

- b) **Zımparalama, fırçalama, cilalama ve kesme gibi işlemlerin bu elektrikli alet ile yapılması önerilmez.** Elektrikli aletin kullanım amacı dışındaki işlemler tehlike yaratarak yaralanmalara neden olabilir.
- c) **Özel olarak tasarlanmamış veya aletin üreticisi tarafından önerilmeyen aksesuarları kullanmayın.** Aksesuarın elektrikli aletinize takılabiliyor olması güvenli çalışacağını garanti etmez.
- d) **Aksesuarın anma hızı, en azından elektrikli aletin üzerinde yazılı maksimum hıza eşit olmalıdır.** Anma hızlarından daha hızlı çalışan aksesuarlar kırılarak parçalanabilirler.
- e) **Aksesuarınızın dış çapı ve kalınlığı elektrikli aletinizin kapasite değerleri dahilinde olmalıdır.** Boyutu hatalı olan aksesuarlar yeterli derecede korunamaz ve kontrol edilemezler.
- f) **Aksesuarların dişli montajı, taşlama makinesinin mil dişine uymalıdır. Flanjlara monte edilen aksesuarlar için, aksesuarın mil çaplarının flanjin yerleştirme çapına uyması gerekmektedir.** Elektrikli aletin montaj donanımına uymayan aksesuarlar dengesiz çalışır, aşırı titreşim yapar ve kontrolü kaybetmeye neden olabilir.
- g) **Hasarlı aksesuar kullanmayın. Her kullanımdan önce aksesuarı kontrol edin, örneğin taşlama çarkında çatlak olup olmadığını, zımpara tabanında çatlak, aşınma veya aşırı eskime olup olmadığını ve tel fırçalarda gevşek veya kırık teller olup olmadığını kontrol edin. Elektrikli alet veya aksesuar düşürülürse hasara karşı kontrol edin ya da hasarsız bir aksesuar takın. Aksesuarı takıp inceledikten sonra kendinizi ve yanınızdakileri dönen aksesuarın düzleminden uzağa konumlandırdıktan sonra elektrikli aleti yüksüz maksimum hızda bir dakika süreyle çalıştırın.** Hasarlı aksesuarlar bu deneme süresinde normal şartlarda parçalanacaktır.
- h) **Koruyucu ekipman kullanın. Uygulamaya bağlı olarak yüz siperi veya güvenlik gözlüğü kullanın. Duruma bağlı olarak toz maskesi, kulaklık, eldiven ve küçük zımpara veya iş parçası parçalarını durdurabilecek iş önlüğü kullanın.** Göz koruyucu, çeşitli işlemlerin neden olduğu uçan parçacıkları durdurabilecek özellikte olmalıdır. Toz maskesi veya solunum aygıtı, yaptığınız işlemin neden olduğu parçacıkları filtreleyebilecek özellikte olmalıdır. Yüksek yoğunluklu gürültüye uzun süre maruz kalınması, işitme kaybına yol açabilir.
- i) **Etrafta bulunanların çalışma alanından güvenli bir mesafede durmalarını sağlayın. Çalışma alanına giren herkes koruyucu ekipman giymelidir.** İş parçasının veya kırılan bir aksesuarın parçaları uçuşarak çalışılan alanın hemen yakınında bulunanların yaralanmasına neden olabilir.
- j) **Aletin, gömülü elektrik kablolarına veya kendi kablosuna temas etmesine yol açabilecek durumlarda aleti izole edilmiş saplarından tutun.** Kesim aksesuarı elektrik akımı bulunan kablolarla temas ettiğinde, akım elektrikli aletin iletken metal parçaları üzerinden kullanıcıya iletilerek elektrik çarpmasına yol açabilir.
- k) **Elektrik kablosunu dönen aksesuardan uzak tutun.** Kontrolü kaybetmeniz durumunda kablo kesilerek elinizin veya kolunuzun dönen aksesuara çekilmesine neden olabilir.
- l) **Aksesuar tam olarak durmadan elektrikli aleti asla yere koymayın.** Dönen aksesuar yüzeyi kaparak elektrikli aletin kontrolünüzden çıkmasına neden olabilir.
- m) **Elektrikli aleti sağıınızda veya solunuzda taşırken çalıştırmayın.** Dönen aksesuara kazara temas edilmesi elbiselerinizi kapabilir, aksesuarı vücudunuza çekebilir.
- n) **Elektrikli aletin havalandırma deliklerini düzenli olarak temizleyin.** Motor fanı tozu gövdenin içine çeker ve toz metallerin aşırı miktarda birikmesi elektrik hasarlarına yol açabilir.
- o) **Elektrikli aleti yanıcı malzemelerin yanında çalıştırmayın.** Kıvılcımlar bu malzemelerin tutuşmasına neden olabilir.
- p) **Sıvı soğutucu gerektiren aksesuarları kullanmayın.** Su veya başka soğutma sıvılarının kullanılması elektrik çarpmasına neden olabilir.

TÜM İŞLEMLER İÇİN TEK GÜVENLİK TALİMATLARI

Geri Tepmenin Nedenleri ve Önlenmesi

Geri tepme, dönen çarkın, zımpara tabanının,

fırçanın veya başka bir aksesuarın sıkışma veya takılmaya karşı gösterdiği reaksiyondur. Sıkışma veya takılma dönen aksesuarın tutukluk yapmasına ve ardından kontrol altında olmayan elektrikli aletin tutukluk yaptığı noktada aksesuarın dönüş istikametinin aksi istikametinde itilmesine neden olmaktadır.

Örneğin, bir zımpara taşının iş parçasına sıkışması veya takılması durumunda taşın sıkışma noktasına giren kenarı, malzemenin yüzeyine işleyerek taşın çıkmasına neden olabilir. Sıkışma sırasında taşın hareket yönüne bağlı olarak taş, kullanıcıya doğru veya kullanıcının uzağına atlayabilir. Zımpara taşları ayrıca bu şartlar altında kırılabilir.

Geri tepme, aletin yanlış kullanılmasından ve/veya hatalı kullanma prosedür veya şartlarından kaynaklanır ve aşağıda verilen uygun tedbirler alınarak önlenabilir:

- Elektrikli aleti sağlam bir şekilde tutun ve vücudunuz ile kolunuzu geri tepme güçlerine dayanacak şekilde yerleştirin. Geri tepmeye veya başlama sırasında tork tepkisine karşı her zaman varsa yardımcı tutamağı kullanın.** Gerekli tedbirlerin alınması durumunda kullanıcı tork tepkisini veya geri tepme güçlerini kontrol edebilir.
- Elinizi daima dönen aksesuardan uzak tutun.** Aksesuar elinizin üzerinde geri tepebilir.
- Vücudunuzu, geri tepme olması halinde elektrikli aletin hareket edebileceği alana yerleştirmeyin.** Geri tepme aleti, sıkışma noktasındaki taş hareketinin aksi yönünde itecektir.
- Köşelerde, keskin kenarlarda vs. çalışırken özel dikkat gösterin. Aksesuarın zıplamasına veya takılmasına engel olun.** Köşeler, keskin kenarlar veya zıplama, dönen aksesuarın takılmasına neden olarak kontrolün kaybolmasına veya geri tepmeye yol açabilir.
- Zincir testere bıçağı veya dişli testere bıçağı takmayın.** Bu tür bıçaklar sık sık geri tepme yaparak kontrol kaybına neden olur.

Taşlama İşleri için Özel Güvenlik Uyarıları

- Yalnızca elektrikli aletiniz için önerilen disk türleri ile seçili disk için tasarlanmış özel siper kullanın.** Elektrikli aletin tasarımına uygun olmayan diskler yeterince korunamazlar ve güvenli değildir.
- Merkezdeki bastırılmış tekerleklerin**

aşındırma yüzeyi, koruma ağzının düzleminin altına monte edilmesi gerekir. Düzgün şekilde monte edilmemiş olan ve koruma ağzının düzlemine yansıyan tekerlek, gereğince korunamayabilir.

- Siper, diskin kullanıcı tarafında açıktan kalan kısmı minimum olacak şekilde elektrikli alete sıkıca bağlanmalı ve maksimum güvenlik sağlayacak şekilde konumlandırılmalıdır.** Siper, kullanıcıyı kopan disk parçaları, diske kazara temas etme ve giysiyi yakabilecek kıvılcımlara karşı korur.
- Diskler sadece önerilen uygulamalarda kullanılmalıdır. Örneğin: kesim diskinin kenarı ile taşlama yapmayın.** Taşlama diskleri çevresel taşlama için tasarlanmışlardır, bu disklere uygulanan kenar güçleri disklerin parçalanmasına neden olabilir.
- Her zaman seçilen disk için doğru boyutta ve şekilde, hasarsız disk flanşları kullanın.** Uygun disk flanşları diski destekleyerek diskin kırılma ihtimalini azaltırlar. Kesim disk flanşları taşlama disk flanşlarından farklı olabilir.
- Büyük elektrikli aletlerin eskimiş disklerini kullanmayın.** Büyük elektrikli alet için tasarlanmış disk küçük aletin yüksek hızı için uygun değildir ve parçalanabilir.



UYARI: Bir kaçak akım cihazının 30mA veya daha az kaçık akımla kullanılmasını öneriyoruz.

Diğer Tehlikeler

Emniyet tedbirlerini düzenleyen yönetmeliğin uygulanmasına ve emniyet sağlayıcı aygıtların kullanılmasına rağmen, başka belirli risklerden kaçınılamaz. Bunlar:

- Duyma bozukluğu.
- Sıçrayan parçacıklardan kaynaklanan yaralanma riski.
- Çalışma sırasında ısınan aksesuarlardan kaynaklanan yanık tehlikesi.
- Uzun süreli kullanımdan kaynaklanan yaralanma riski.
- Tehlikeli maddelerin tozlarından kaynaklanan riskler.

Alet Üzerindeki Etiketler

Alet üzerinde, aşağıdaki uyarı sembolleri bulunmaktadır:



Aletle çalışmaya başlamadan önce bu kılavuzu okuyun.



Kulaklık takın.



Koruyucu gözlük takın.

TARİH KODU KONUMU (ŞEK. [FIG.] 1)

İmalat yılını da içeren Tarih Kodu (E) gövdeye basılıdır.

Örnek:

2015 XX XX

İmalat Yılı

Ambalaj İçeriği

Ambalaj, aşağıdaki parçaları içermektedir:

- 1 Avuç için taşlama makinesi
- 1 Siper
- 1 Titreşimi engelleyen yan tutamak
- 1 Flanş seti
- 1 Somun Anahtarı
- 1 Kullanım kılavuzu
- *Alet, parçalar ve aksesuarlarda nakliye sırasında hasar oluşup oluşmadığını kontrol edin.*
- *Çalıştırmadan önce bu kılavuzu iyice okuyup anlamak için zaman ayırın.*

Açıklama (Şek. 1)



UYARI: Hiçbir zaman elektrikli aleti veya herhangi bir parçasını değiştirmeyin. Hasarla veya yaralanmayla sonuçlanabilir.

- A. Açma/kapama şalteri
- B. Mil kilidi düğmesi
- C. Siper
- D. Yan tutamak

KULLANIM AMACI

DWE4016 avuç taşlama makinesi profesyonel taşlama uygulamaları için tasarlanmıştır.

Islak koşullarda veya yanıcı sıvı ya da gazların mevcut olduğu ortamlarda KULLANMAYIN.

Bu ağır hizmet tipi açılı taşlama makineleri profesyonel elektrikli aletlerdir.

Çocukların aleti ellemesine **İZİN VERMEYİN**. Bu alet deneyimsiz kullanıcılar tarafından kullanılırken nezaret edilmelidir.

- Bu ürün fiziksel ve zihinsel kapasitesinin yanı sıra algılama gücü azalmış olan veya yeterince deneyim ve bilgisi bulunmayan kişiler (çocuklar dahil) tarafından kullanılmak üzere üretilmemiştir. Bu tür kişiler ürünü ancak güvenliklerinden sorumlu bir kişi tarafından cihazın kullanımıyla ilgili talimatların verilmesi veya sürekli kontrol altında tutulması durumunda kullanılabilir. Çocuklar, bu ürün ile kontrol altında tutulmalıdır.

Yumuşak ilk hareket Özelliği

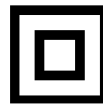
Yumuşak ilk hareket özelliği, başlatma sırasında ilk sarsıntıyı önlemek amacıyla hızın yavaş yavaş artmasına imkan verir. Bu özellik özellikler dar alanlarda çalışırken faydalıdır.

Gerilimsiz

Acil durum kesme özelliği güç kaynağında bir aksaklık olduğunda anahtara müdahale etmeye gerek kalmadan durdurur ve yeniden başlatır.

Elektrik Güvenliği

Elektrik motoru sadece tek bir voltaj için tasarlanmıştır. Her zaman güç kaynağının, etiket plakasındaki voltajla aynı olup olmadığını kontrol edin.



DEWALT aletiniz EN60745 standardına uygun olarak çift yalıtımlıdır; bu nedenle, topraklama kablosuna gerek yoktur.

Güç kablosu hasarlıysa, DEWALT yetkili servisinden temin edilebilen özel olarak hazırlanmış bir kabloyla değiştirilmelidir.

Uzatma Kablolarının Kullanımı

Uzatma kablosu kullanılması gerekiyorsa bu aletin giriş gücüne (**Teknik verilere** bakın) uygun onaylı bir 3 damarlı uzatma kablosu kullanın. Minimum iletken ebadı 1,5 mm²; maksimum uzunluk 30 m'dir.

Bir kablo makarası kullanırken, kabloyu daima sonuna kadar açın.

MONTAJ VE AYARLAMALAR



UYARI: Ciddi yaralanma riskini azaltmak için herhangi bir ayar yapmadan ya da parça veya aksesuarları söküp takmadan önce aleti kapatın ve güç kaynağından ayırın. Tetik düğmesinin KAPALI konumda olduğunu kontrol edin. Aletin yanlışlıkla çalıştırılması yaralanmaya neden olabilir.

Yan Tutamağın Takılması (şekil 2)



UYARI: Aleti kullanmadan önce tutamağın iyice sıkıldığından emin olun.



UYARI: Aletin kontrolünü sağlamak için her zaman yan tutamak kullanılmalıdır.

Yan kolu (D) gövdenin her iki tarafındaki deliklerden birine iyice vidalayın.

Siperin Takılıp Çıkarılması (şekil 3)



UYARI: Ciddi yaralanma riskini azaltmak için herhangi bir ayar yapmadan ya da parça veya aksesuarları söküp takmadan önce aleti kapatın ve güç kaynağından çıkarın. Aleti yeniden bağlamadan önce aletin kapalı olduğundan emin olmak için tetik düğmesine basıp bırakın.



DİKKAT: Bu taşlama makinesiyle siperler kullanılmalıdır.

SİPERİ TAKMAK İÇİN

1. Taşlama makinesini, mili yukarı gelecek şekilde bir masaya yatırın.
2. Siperi (C) aşağı doğru bastırın (şek. 3A).
3. Siperi vücudunuz ve çalışılan parça arasına yerleştirin.
4. Bileziği mil muyunda tutarak vidayı (I) sıkın (şek. 3B).

SİPERİ ÇIKARMAK İÇİN

1. Milin boynunun etrafındaki kavrama kelepçesini tutan vidayı (L) gevşetin ve vidanın kelepçeye bağlı konumda kaldığından emin olun.
2. Siperi kaldırın.

Taşlama Diskinin Takılıp Çıkarılması (şekil 1, 4, 5)



UYARI: Hasarlı disk kullanmayın.

1. Siper yukarı gelecek şekilde aleti bir masaya yatırın.
2. Destekleme flanşını (G) mil (H) üzerine düzgünce takın (şekil 4).
3. Diski (I) destekleme flanşı (G) üzerine yerleştirin. Yüksek merkezli bir disk takarken yüksek merkezin (J) destekleme flanşına (G) baktığından emin olun.
4. Dişli tespit somununu (K) mile (H) vidalayın (şekil 5). Taşlama diski takarken dişli tespit somunu (K) üzerindeki halka diske bakmalıdır.
5. Mil kilidine (B) bastırın ve yerine kilitlenen dek mili (H) çevirin.
6. Flanşı (K) gönderilen altıgen anahtar veya iki pimli anahtar ile sıkın.
7. Mil kilidini bırakın.
8. Diski çıkarmak için, flanşı (K) gönderilen altıgen anahtar veya iki pimli anahtar ile gevşetin.

Çalıştırmadan Önce

- Siperi ve uygun disk ya da çarkı takın. Oldukça aşınmış disk veya çarkları kullanmayın.
- İç ve dış flanşın düzgün takıldığından emin olun. **Taşlama ve Kesim Aksesuarları Çizelgesinde** verilen talimatlara uyun.
- Disk veya çarkın, aksesuar ve alet üzerindeki oklar yönünde döndüğünü kontrol edin.

KULLANMA

Kullanma Talimatları



UYARI: Güvenlik talimatlarına ve geçerli düzenlemelere her zaman uyun.



UYARI: Ciddi yaralanma riskini azaltmak için herhangi bir ayar yapmadan ya da parça veya aksesuarları söküp takmadan önce aleti kapatın ve güç kaynağından ayırın. Tetik düğmesinin kapalı konumda olduğunu kontrol edin. Aletin yanlışlıkla çalıştırılması yaralanmaya neden olabilir.

**UYARI:**

- Taşlanacak veya kesilecek tüm malzemelerin yerlerine sıkıca sabitlendiklerinden emin olun.
- Alete sadece hafif bir baskı uygulayın. Diske yanıl basınç uygulamayın.
- Aşırı yüklemekten kaçının. Aletin ısınması durumunda yüksüz durumda birkaç dakika çalıştırın.

Uygun El Pozisyonu (şekil 1, 6)

UYARI: Ciddi yaralanma riskini azaltmak için, **DAİMA** şekilde gösterilen uygun el pozisyonunu kullanın.



UYARI: Ciddi yaralanma riskini azaltmak için, ani tepki ihtimaline karşı aleti **DAİMA** sıkıca tutun.

Uygun el pozisyonu şekil 6'de gösterildiği gibi bir elin yan tutamakta (D) ve diğer elin aletin gövdesinde olmasını gerektirir.

Anahtarlar

UYARI: Yük altındayken aleti açıp kapatmayın.



UYARI: Aleti kullanmadan önce, kolun iyice sıkıldığından emin olun.

SÜRGÜ ANAHTARI (ŞEKİL 1)

Aleti çalıştırmak için, aletin ön tarafındaki sürgü anahtarını (A) açık/kapalı yönlerine doğru sürün. Aleti durdurmak için açık/kapalı sürgü anahtarını serbest bırakın.

Sürekli çalışma için, anahtarı aletin ön tarafında doğru sürün ve anahtarın ön tarafına içeriye doğru bastırın.

Sürekli çalışma modunda çalışan aleti durdurmak için, sürgü anahtarının arka tarafına bastırın ve bırakın.

Mil Kilidi (şekil 1)

Mil kilidi (B), diskleri takıp çıkarırken milin dönmesini engellemek için sağlanmıştır. Mil kilidini yalnızca alet kapalıyken, güç kaynağından ayırık durumdayken ve tamamen durduktan sonra kullanın.

İKAZ: Aletin hasar görmesini engellemek için alet çalışırken mil kilidini kullanmayın. Aletin hasar göreceği ve takılı aksesuar yerinde çıkararak yaralanmaya

neden olabilecektir.

Kilidi devreye almak için mil kilit düğmesine basın ve mili artık daha fazla döndüremeyecek duruma gelene dek döndürün.

Metal Uygulamaları

Aleti metal uygulamalarda kullanırken metal talaşının neden olduğu kalıcı riskleri engellemek için kaçak akım rölesinin takılı olduğundan emin olun.

Kaçak akım rölesi tarafından güç kaynağı kapatılırsa aleti yetkili DEWALT servisine götürün.



UYARI: Uç çalışma koşullarında, metalle çalışırken makine gövdesinde iletken toz birikebilir. Bu ise makinenin içindeki koruyucu izolasyonun bozulmasına ve olası elektrik çarpması risklerine neden olabilir.

Makinenin içinde metal talaşı birikmesini engellemek için havalandırma deliklerini her gün temizlemenizi tavsiye ederiz. Bkz. **Bakım**.

Flap Disk Kullanımı

UYARI: Metal tozu birikimi. Metal uygulamalarında flap disklerin aşırı kullanılması elektrik çarpması riskini artırır. Riski azaltmak için kullanmadan önce kaçak akım rölesi takın ve aşağıdaki bakım talimatlarına göre havalandırma deliklerine kuru basınçlı hava üfleyerek havalandırma deliklerini her gün temizleyin.

BAKIM

DEWALT elektrikli aletiniz minimum bakımla uzun bir süre çalışacak şekilde tasarlanmıştır. Kesintisiz olarak memnuniyet verici bir şekilde çalışması gerekli özenin gösterilmesine ve düzenli temizliğe bağlıdır.



UYARI: Ciddi yaralanma riskini azaltmak için herhangi bir ayar yapmadan ya da parça veya aksesuarları söküp takmadan önce aleti kapatın ve güç kaynağından ayırın. Tetik düğmesinin KAPALI konumda olduğunu kontrol edin. Aletin yanlışlıkla çalıştırılması yaralanmaya neden olabilir.

Kullanım Ömrü Dolmuş Kömürler

Karbon kömürlerin kullanım ömrünün hemen hemen dolduğunu ve aletin servise ihtiyaç duyduğunu göstermek üzere motor otomatik olarak kapanır. Karbon kömürlere kullanıcı tarafından servis yapılamaz. Aletini yetkili DEWALT servisine götürün.



Yağlama

Elektrikli aletiniz ek bir yağlama gerektirmemektedir.



Temizleme



UYARI: Havalandırma deliklerinde ve etrafında toz toplanması halinde bu tozu ve kiri kuru hava kullanarak ana gövdeden uzaklaştırın. Bu işlemi gerçekleştirirken onaylı bir göz koruması ve onaylı toz maskesi takın.



UYARI: Aletin metalik olmayan parçalarını temizlemek için asla çözücü veya başka sert kimyasal kullanmayın. Bu kimyasallar bu parçalarda kullanılan malzemeleri güçsüzleştirir. Yalnızca su ve yumuşak sabunla nemlendirilmiş bir bez kullanın. Aletin içine herhangi bir sıvının girmesine izin vermeyin; aletin herhangi bir parçasını bir sıvı içine daldırmayın.

İlave aksesuarlar



UYARI: DEWALT tarafından tedarik veya tavsiye edilenlerin dışındaki aksesuarlar bu ürün üzerinde test edilmediğinden, söz konusu aksesuarların bu aletle birlikte kullanılması tehlikeli olabilir. Yaralanma riskini azaltmak için bu ürünle birlikte sadece DEWALT tarafından tavsiye edilen aksesuarlar kullanılmalıdır.

Uygun aksesuarlarla ilgili daha fazla bilgi almak için satış noktalarıyla görüşün.

Çevrenin Korunması



Ayrı toplama. Bu işaretlenmiş simgeyle ürün ve piller normal evsel atıklarla birlikte çöpe atılmamalıdır.



Bazı malzemeleri içeren ürün ve piller geri dönüştürülebilir veya geri kazanılabilir, bu da bazı hammaddeler için talebi azaltabilir. Lütfen elektrikli ürünleri ve pilleri yerel yasal mevzuata uygun şekilde geri dönüşüme tabi tutun. Daha ayrıntılı bilgiler www.2helpU.com adresinde mevcuttur.

Sanayi ve Ticaret Bakanlığı tebliğince kullanım ömrü 7 yıldır.

Türkiye Distribütörü

**STANLEY BLACK & DECKER TURKEY
ALET ÜRETİM SAN. TİC. LTD. ŞTİ.**

AND Kozyatağı – İçerenköy Mah.

Umut Sok. AND Ofis Sit.

No: 10-12 / 82-83-84

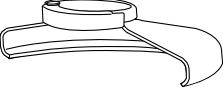

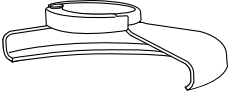



Ataşehir/İstanbul TURKEY

Tel: +90 216 665 2900

Fax: +90 216 665 2901

info-tr@sbdinc.com

TAŞLAMA AKSESUAR ÇİZELGESİ

<i>Siper Tipi</i>	<i>Aksesuar</i>	<i>Açıklama</i>	<i>Taşlama Makinesine Takılması</i>
 TİP 27 SİPER		Basık merkezli taşlama disk	 Tip 27 siper  Destek flanşı  Tip 27 basık merkezli disk  Dişli tespit somunu

DEWALT GARANTİ BELGESİ

İTHALATÇI FİRMA

Ünvanı : STANLEY BLACK&DECKER TURKEY ALET ÜRETİM SAN. TIC. LTD.ŞTİ.
Adresi : AND Kozyatağı - İçerenköy Mah. Umut Sok. AND Ofis Sit. No: 10-12 / 82-83-84
Ataşehir/İstanbul, TURKEY
Telefon No. : 0216 665 29 00
Faks No. : 0216 665 29 01
E-mail : info-tr@sbdinc.com

STANLEY BLACK&DECKER TURKEY
ALET ÜRETİM SAN. TIC. LTD.ŞTİ.
İçerenköy Mah. Umut Sok. AND Ofis Sit. No: 10-12 / 82-83-84
Ataşehir/İstanbul, TURKEY
Tic. Sic. No: 271100
Vergi No: 3450000000000000
Tic. Sic. No: 271100
Vergi No: 3450000000000000

ÜRÜNÜN

Cinsi :
Markası : **DEWALT**
Modeli :
Seri Numarası :
Garanti Süresi : 2 YIL
Azami Tamir Süresi : 20 İŞ GÜNÜ

SATICI FİRMANIN

Ünvanı :
Adresi :
Telefon No. :
Faks No. :
Fatura Tarih ve No. :
Ürün Teslim Tarihi :
Ürün Teslim Yeri :
Belgeyi Dolduranın Adı Soyadı :

Kaşe - Yetkili İmza

GARANTİ ŞARTLARI

- Garanti süresi, malın teslim tarihinden itibaren başlar ve 2 yıldır.
- Malın bütün parçaları dahil olmak üzere tamamı firmamızın garantisi kapsamındadır.
- Malın ayıplı olduğunun anlaşılması durumunda tüketici, 6502 sayılı Tüketici Korunması Hakkında Kanununun 11 inci maddesinde yer alan;
a- Sözleşmeden dönme,
b-Satış bedelinden indirim isteme
c-Ücretsiz onarılmasını isteme
d-Satılanın ayıpsız bir misli ile değiştirilmesini isteme,
haklarından birini kullanabilir.
- Tüketicinin bu haklardan ücretsiz onarım hakkını seçmesi durumunda satıcı; işçilik masrafı, değiştirilen parça bedeli ya da başka herhangi bir ad altında hiçbir ücret talep etmeksizin malın onarımını yapmak veya yaptırmakla yükümlüdür. Tüketici ücretsiz onarım hakkını üretici veya ithalatçıya karşı da kullanabilir.
Satıcı, üretici ve ithalatçı tüketicinin bu hakkını kullanmasından müteselsilen sorumludur.
- Tüketicinin, ücretsiz onarım hakkını kullanması halinde malın;
- Garanti süresi içinde tekrar arızalanması,
- Tamiri için gereken azami sürenin aşılması,
- Tamirinin mümkün olmadığı için, yetkili servis istasyonu, satıcı, üretici veya ithalatçı tarafından bir raporla belirlenmesi durumlarında; tüketici malın bedel iadesini, ayıp oranında bedel indirimini veya imkan varsa malın ayıpsız misli ile değiştirilmesini satıcıdan talep edebilir.
Satıcı, tüketicinin talebini reddedemez. Bu talebin yerine getirilmemesi durumunda satıcı, üretici ve ithalatçı müteselsilen sorumludur.
- Malın tamir süresi 20 iş gününü geçemez. Bu süre, garanti süresi içerisinde mala ilişkin arızanın yetkili servis istasyonuna veya satıcıya bildirim tarihi, garanti süresi dışında ise malın yetkili servis istasyonuna teslim tarihinden itibaren başlar. Malın arızasının 10 iş günü içerisinde giderilmemesi halinde, üretici veya ithalatçı; malın tamiri tamamlanıncaya kadar, benzer özelliklere sahip başka bir malı tüketicinin kullanımına tahsis etmek zorundadır. Malın garanti süresi içerisinde arızalanması durumunda, tamirde geçen süre garanti süresine eklenir.
- Malın kullanma kılavuzunda yer alan hususlara aykırı kullanılmasından kaynaklanan arızalar garanti kapsamı dışındadır.
- Garanti kapsam şartları ;
a-Ürün hatalı kullanılmamıştır.
b-Ürün yıpranmamış, hırpalanmamış ve aşınmamıştır.
c-Yetkili olmayan kişilerce tamire çalışılmamıştır.
d-Satın alma belgesi (fatura) ibraz edilmiştir.
e-Ürün, tüm orijinal parçaları ile iade edilmiştir.
- Tüketici, garantiden doğan haklarının kullanılması ile ilgili olarak çıkabilecek uyuşmazlıklarda yerleşim yerinin bulunduğu veya tüketici işleminin yapıldığı yerdeki Tüketici Hakem Heyetine veya Tüketici Mahkemesine başvurabilir.
- Satıcı tarafından bu Garanti Belgesinin verilmemesi durumunda, tüketici Gümrük ve Ticaret Bakanlığı Tüketicinin Korunması ve Piyasa Gözetimi Genel Müdürlüğüne başvurabilir.

EEE Yönetmeliğine uygundur.



KULLANMA KILAVUZU İÇİN EK BİLGİLER

-Taşıma ve nakliye sırasında dikkat edilecek hususlar;
Cihazı taşıma ve nakliye esnasında hasar verecek şekilde taşınmamalı, bir yerden bir yere fırlatılmamalı, istifleme yapılırken dikkat edilmeli.

-Gümrük ve Ticaret Bakanlığı uyarınca belirlenen kullanım ömürleri aşağıdaki gibidir;

Testere Makineleri	7 yıl
Polisaj Makineleri	7 yıl
Matkaplar	7 yıl
Vidalama Makineleri	7 yıl
Zımpara Makineleri	7 yıl

-Malın ayıplı olduğunun anlaşılması durumunda tüketici, 6502 sayılı Tüketici Korunması Hakkında Kanununun 11 inci maddesinde yer alan;

a- Sözleşmeden dönme,

b-Satış bedelinden indirim isteme

c-Ücretsiz onarılmasını isteme

d-Satılanın ayıpsız bir misli ile değiştirilmesini isteme,

haklarından birini kullanabilir.

-Tüketici, garantiden doğan haklarının kullanılması ile ilgili olarak çıkabilecek uyuşmazlıklarda yerleşim yerinin bulunduğu veya tüketici işleminin yapıldığı yerdeki Tüketici Hakem Heyetine veya Tüketici Mahkemesine başvurabilir.